



*ASSEMBLY INSTRUCTION
COASTER FINE FURNITURE*



Fine Furniture for every stage of life

511071(B1&B2)
Sofa

ITEM : 511071 (B1&B2)



ASSEMBLY INSTRUCTION

ASSEMBLY TIPS :

1. Remove hardware from box and sort by size.
2. Please check to see that all hardware and parts are present prior to start of assembly.
3. Please follow attached instructions in the same sequence as numbered to assure fast & easy assembly.



WARNING :

1. Don't attempt to repair or modify parts that are broken or defective. Please contact the store immediately
2. This product is for home use only and not intended for commercial establishments.



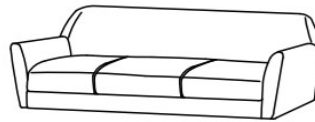
ASSEMBLY TIME

15 MINUTES

PARTS IDENTIFICATION

B1 (BOX 1)

A SOFA



1PC

B RAIL



2PCS

C CENTER SUPPORT LEG WITH LEVELER



1PC

B2 (BOX 2)

D LEG FRAME



2PCS

ITEM : 511071 (B1&B2)



ASSEMBLY INSTRUCTION

ASSEMBLY TIPS :

1. Remove hardware from box and sort by size.
2. Please check to see that all hardware and parts are present prior to start of assembly.
3. Please follow attached instructions in the same sequence as numbered to assure fast & easy assembly.










WARNING :

1. Don't attempt to repair or modify parts that are broken or defective. Please contact the store immediately
2. This product is for home use only and not intended for commercial establishments.

HARDWARE IDENTIFICATION

Z-B1 (BOX 1) - HARDWARE PACKED IS LOCATED IN 511071 (B1)

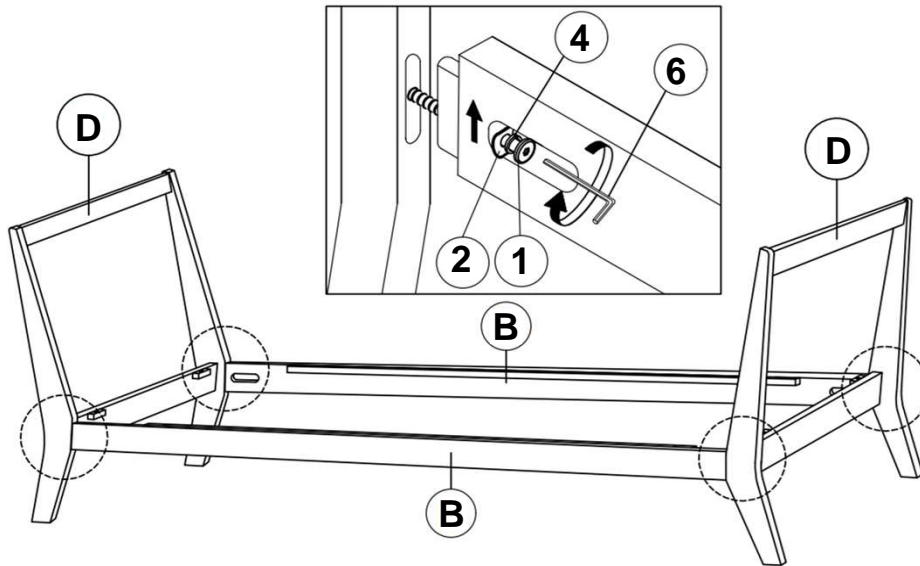
1	LONG BOLT (M6 x 80mm - BLK)		4PCS
2	U-WASHER (15 x 18 x 2mm - RBW)		4PCS
3	SHORT BOLT (M6 x 50mm - BLK)		10PCS
4	LOCK WASHER (1/4mm - BLK)		14PCS
5	BIG FLAT WASHER (2mm - BLK)		10PCS
6	ALLEN WRENCH (M4 x 95mm - BLK)		1PC
7	SMALL FLAT WASHER (1/4mm - BLK)		1PC

ITEM : **511071 (B1&B2)**

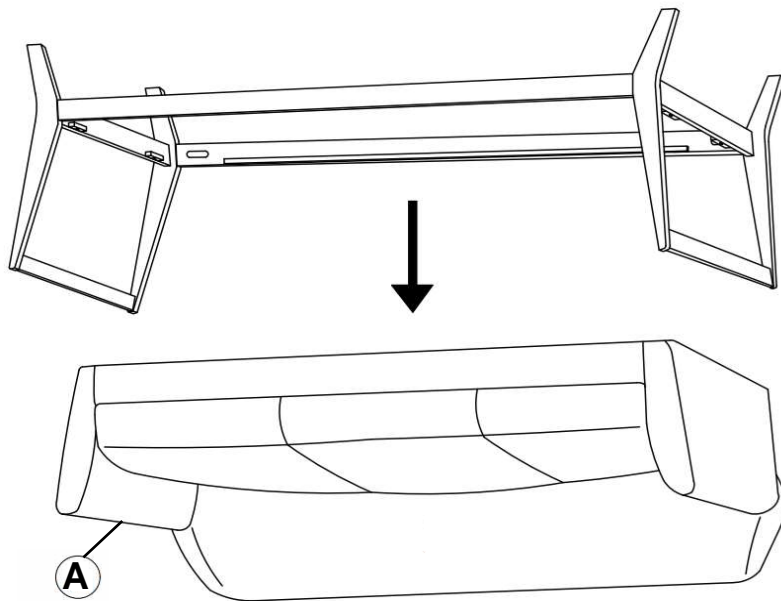


ASSEMBLY INSTRUCTION

STEP 1



STEP 2

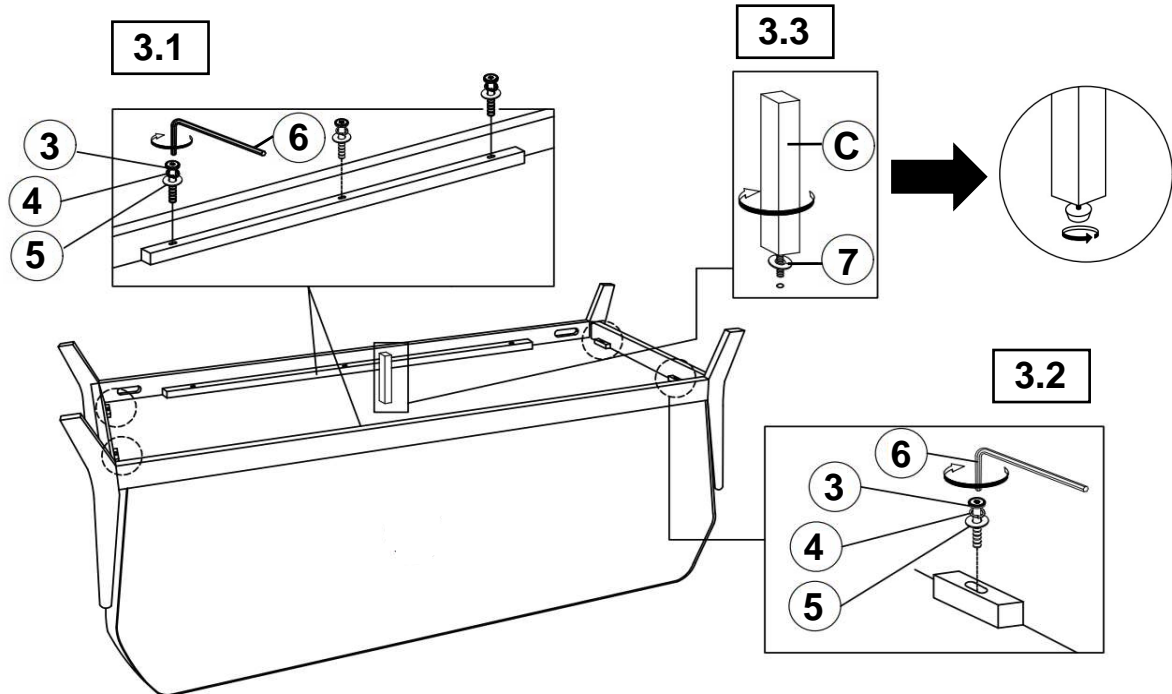


ITEM : **511071 (B1&B2)**

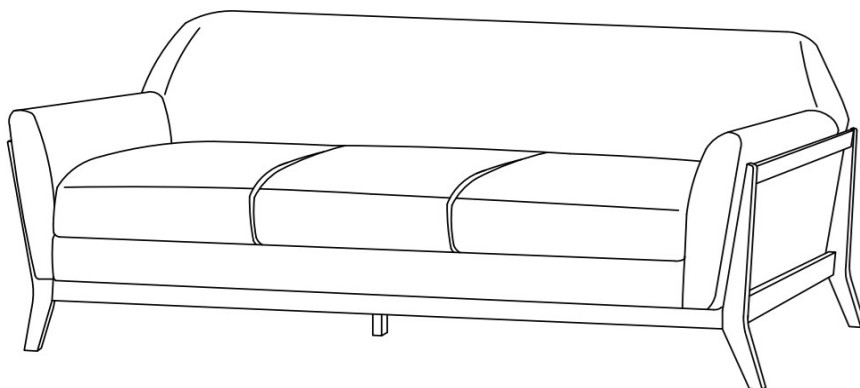


ASSEMBLY INSTRUCTION

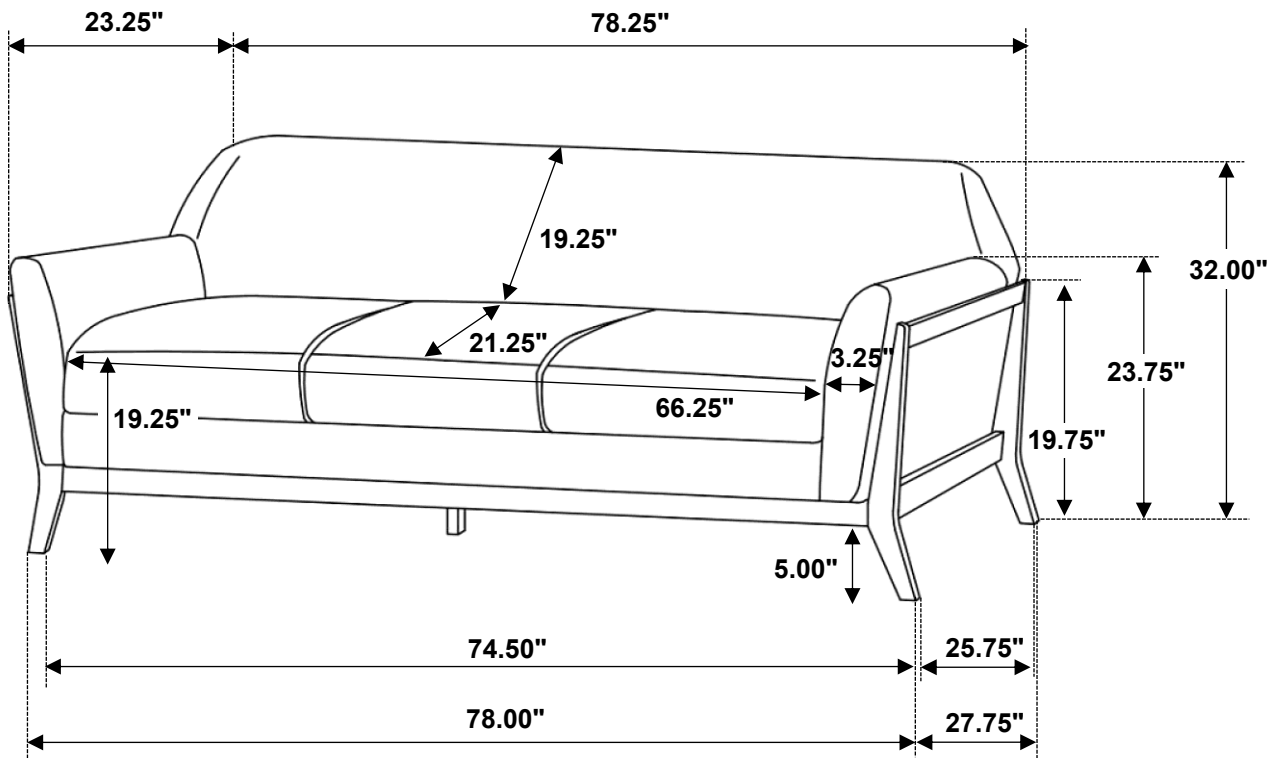
STEP 3



STEP 4 COMPLETE



ITEM : **511071 (B1&B2)**



Note: Dimension tolerance $\pm 5\%$



ASSEMBLY INSTRUCTION
COASTER FINE FURNITURE



Fine Furniture for every stage of life

511072 (B1&B2)
Loveseat

ITEM : 511072 (B1&B2)



ASSEMBLY INSTRUCTION

ASSEMBLY TIPS :

1. Remove hardware from box and sort by size.
2. Please check to see that all hardware and parts are present prior to start of assembly.
3. Please follow attached instructions in the same sequence as numbered to assure fast & easy assembly.



WARNING :

1. Don't attempt to repair or modify parts that are broken or defective. Please contact the store immediately
2. This product is for home use only and not intended for commercial establishments.



ASSEMBLY TIME

15 MINUTES

PARTS IDENTIFICATION

B1 (BOX 1)

A SOFA



1PC

B RAIL



2PCS

B2 (BOX 2)

C LEG FRAME



2PCS

ITEM : 511072 (B1&B2)



ASSEMBLY INSTRUCTION

ASSEMBLY TIPS :

1. Remove hardware from box and sort by size.
2. Please check to see that all hardware and parts are present prior to start of assembly.
3. Please follow attached instructions in the same sequence as numbered to assure fast & easy assembly.





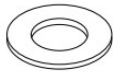
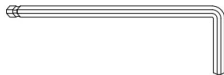



WARNING :

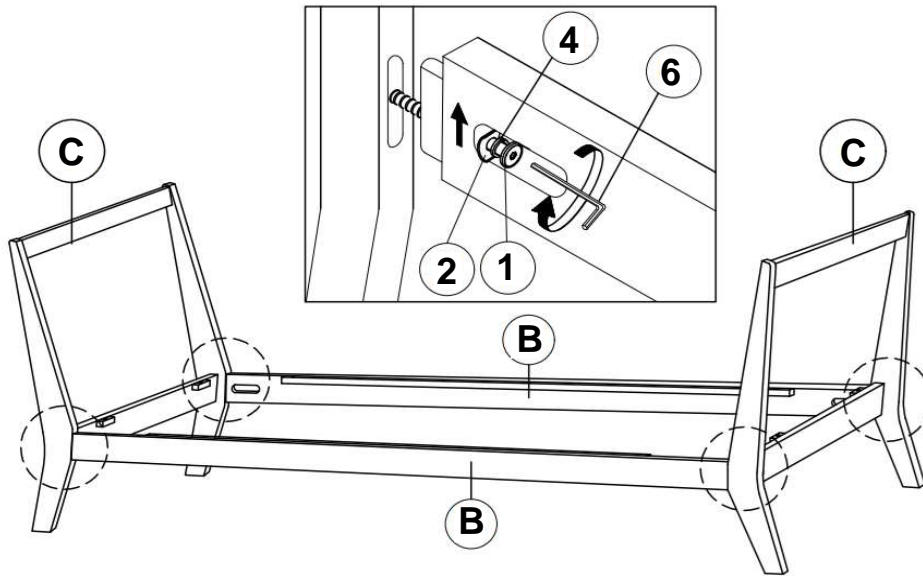
1. Don't attempt to repair or modify parts that are broken or defective. Please contact the store immediately
2. This product is for home use only and not intended for commercial establishments.

HARDWARE IDENTIFICATION

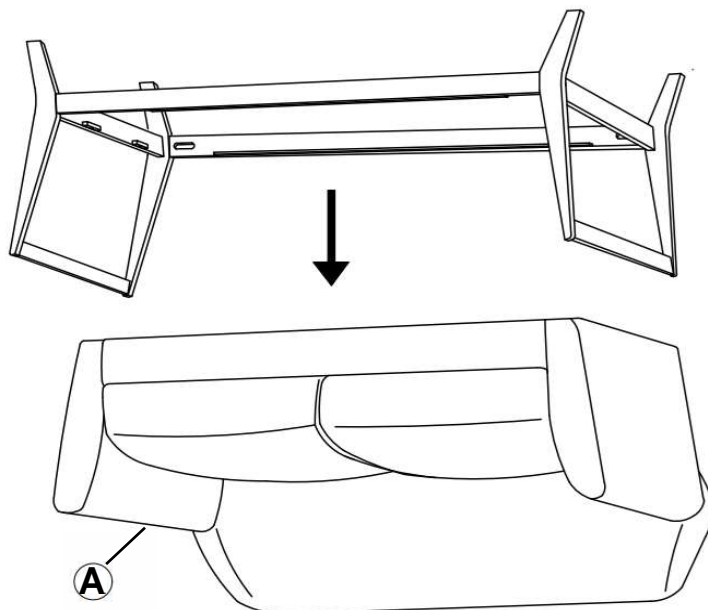
Z-B1 (BOX 1) - HARDWARE PACKED IS LOCATED IN 511072(B1)

1	LONG BOLT (M6 x 80mm - BLK)		4PCS
2	U-WASHER (15 x 18 x 2mm - RBW)		4PCS
3	SHORT BOLT (M6 x 50mm - BLK)		8PCS
4	LOCK WASHER (1/4mm - BLK)		12PCS
5	BIG FLAT WASHER (2mm - BLK)		8PCS
6	ALLEN WRENCH (M4 x 95mm - BLK)		1PC
7	SMALL FLAT WASHER (1/4mm - BLK)		1PC

ITEM : **511072 (B1&B2)**
ASSEMBLY INSTRUCTION
STEP 1



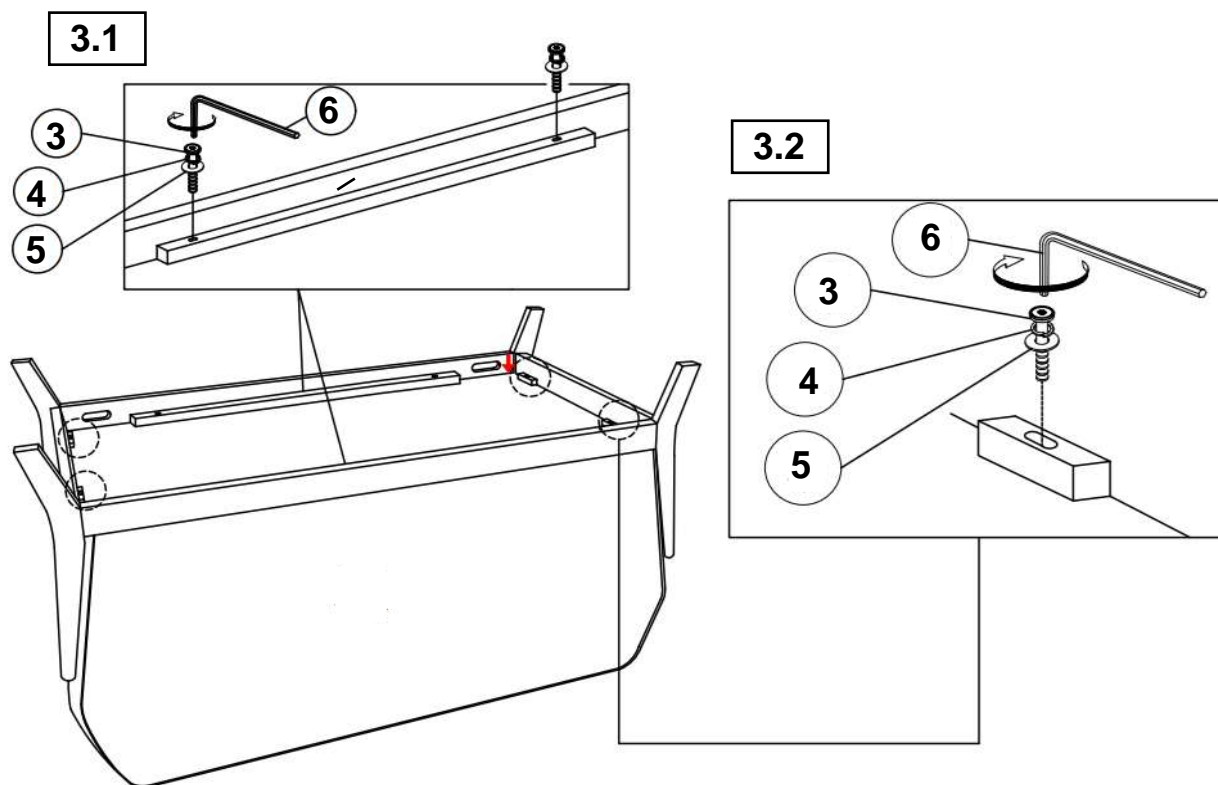
STEP 2



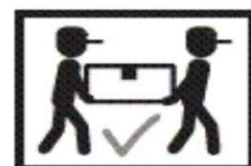
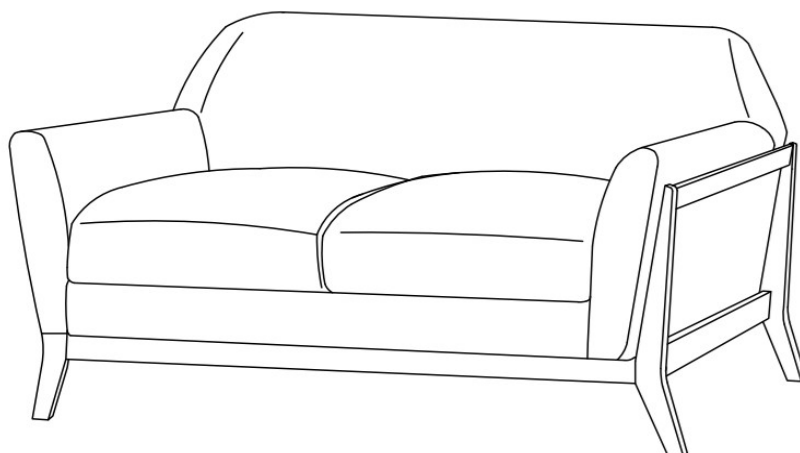
ITEM : 511072 (B1&B2)

ASSEMBLY INSTRUCTION

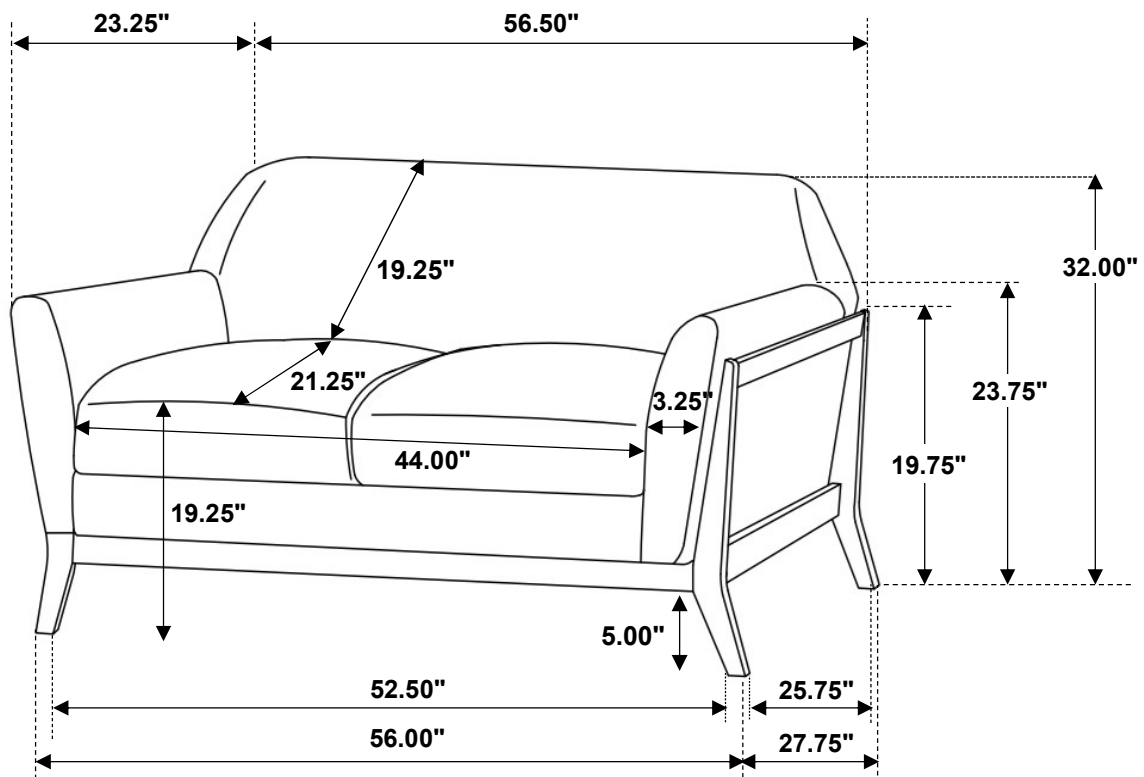
STEP 3



STEP 4 COMPLETE



ITEM : **511072 (B1&B2)**



Note: Dimension tolerance $\pm 5\%$



ASSEMBLY INSTRUCTION
COASTER FINE FURNITURE



Fine Furniture for every stage of life

511073 (B1&B2)
Chair

ITEM : 511073 (B1&B2)



ASSEMBLY INSTRUCTION

ASSEMBLY TIPS :

1. Remove hardware from box and sort by size.
2. Please check to see that all hardware and parts are present prior to start of assembly.
3. Please follow attached instructions in the same sequence as numbered to assure fast & easy assembly.



WARNING :

1. Don't attempt to repair or modify parts that are broken or defective. Please contact the store immediately
2. This product is for home use only and not intended for commercial establishments.



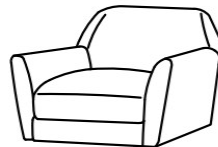
ASSEMBLY TIME

15 MINUTES

PARTS IDENTIFICATION

B1 (BOX 1)

A SOFA



1PC

B RAIL



2PCS

B2 (BOX 2)

C LEG FRAME



2PCS

ITEM : 511073 (B1&B2)

ASSEMBLY INSTRUCTION



ASSEMBLY TIPS :

1. Remove hardware from box and sort by size.
2. Please check to see that all hardware and parts are present prior to start of assembly.
3. Please follow attached instructions in the same sequence as numbered to assure fast & easy assembly.









WARNING :

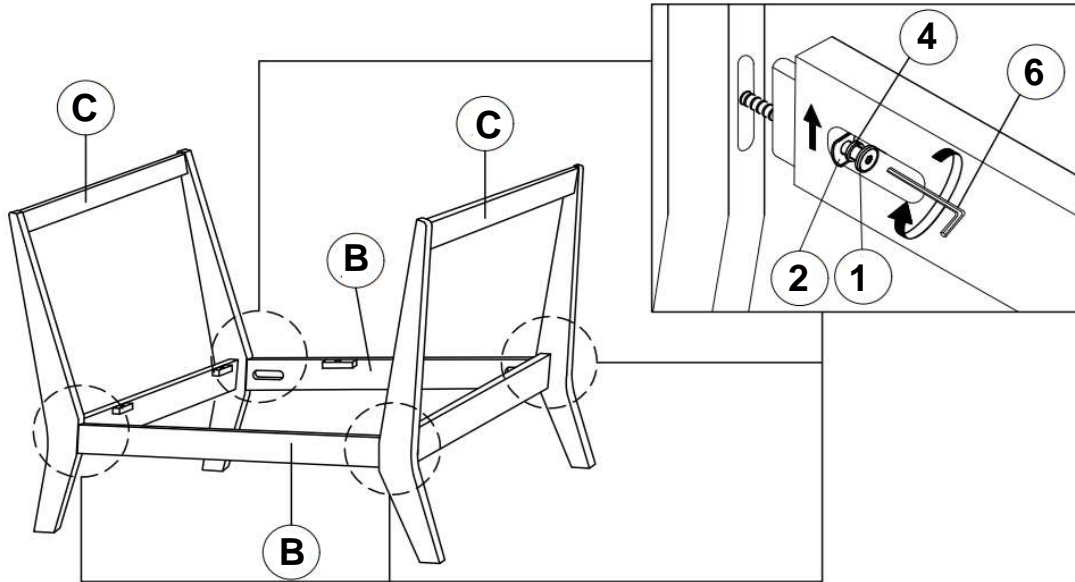
1. Don't attempt to repair or modify parts that are broken or defective. Please contact the store immediately
2. This product is for home use only and not intended for commercial establishments.

HARDWARE IDENTIFICATION

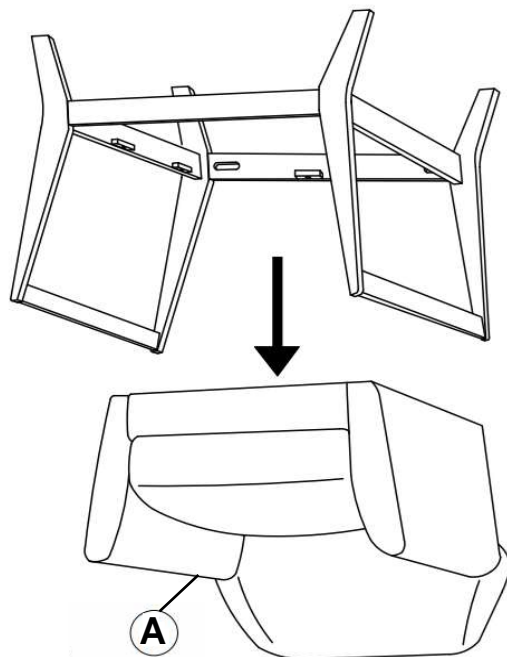
Z-B1 (BOX 1) - HARDWARE PACKED IS LOCATED IN 511073(B1)

1	LONG BOLT (M6 x 80mm - BLK)		4PCS
2	U-WASHER (15 x 18 x 2mm - RBW)		4PCS
3	SHORT BOLT (M6 x 50mm - BLK)		8PCS
4	LOCK WASHER (1/4mm - BLK)		10PCS
5	FLAT WASHER (2mm - BLK)		6PCS
6	ALLEN WRENCH (M4 x 95mm - BLK)		1PC

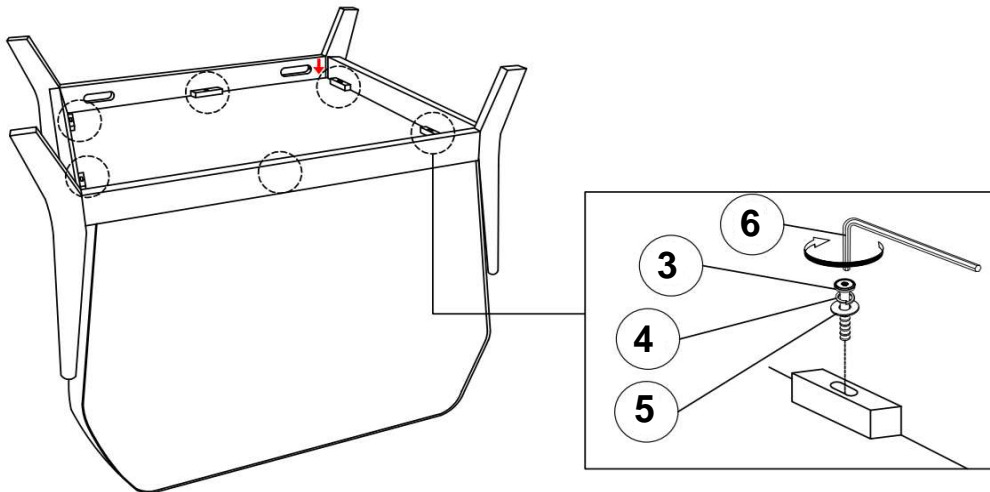
ITEM : **511073 (B1&B2)**
ASSEMBLY INSTRUCTION
STEP 1



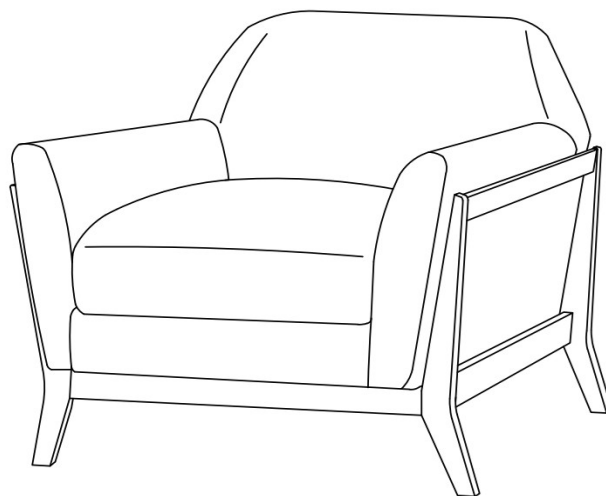
STEP 2



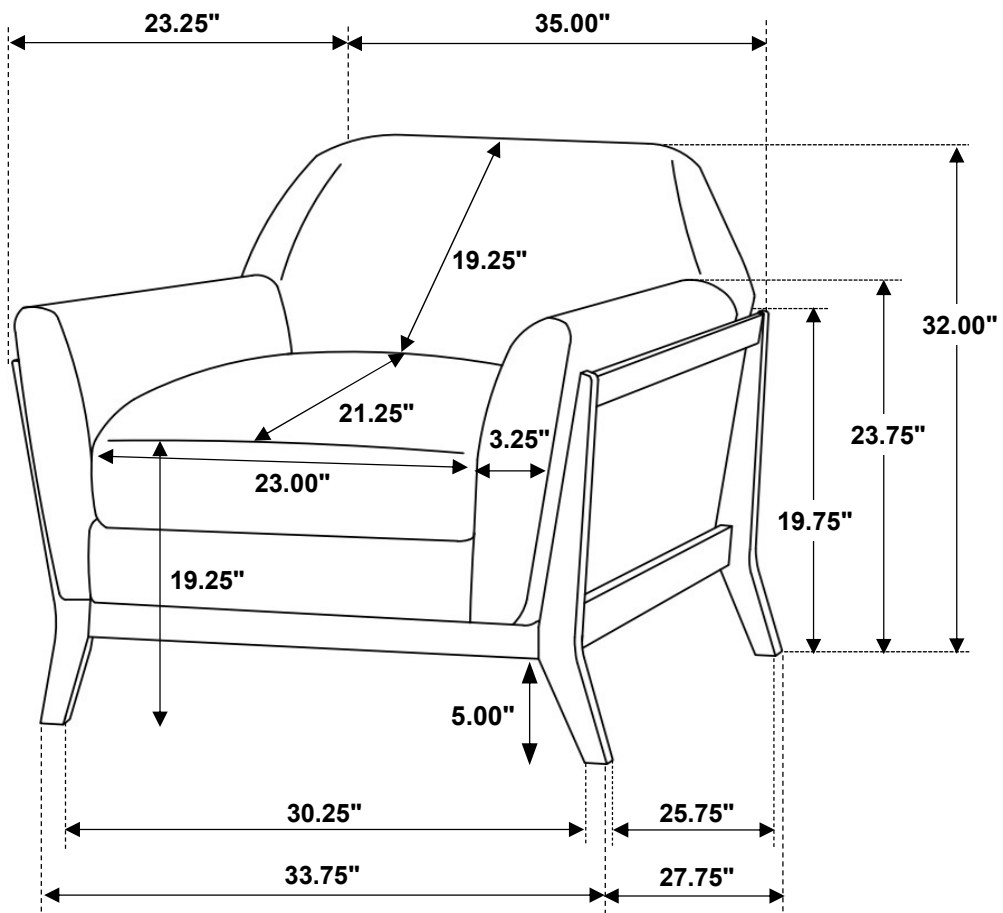
ITEM : **511073 (B1&B2)**
ASSEMBLY INSTRUCTION
STEP 3



STEP 4
COMPLETE



ITEM : **511073 (B1&B2)**



Note: Dimension tolerance $\pm 5\%$