

ASSEMBLY INSTRUCTIONS
COASTER FINE FURNITURE



Fine Furniture for every stage of life

710868
Coffee Table

ITEM: 710868



ASSEMBLY INSTRUCTIONS

ASSEMBLY TIPS:

1. Remove hardware from box and sort by size.
2. Please check to see that all hardware and parts are present prior to start of assembly.
3. Please follow attached instructions in the same sequence as numbered to assure fast & easy assembly.



WARNING!

1. Don't attempt to repair or modify parts that are broken or defective. Please contact the store immediately.
2. This product is for home use only and not intended for commercial establishments.



ASSEMBLY TIME

15 MINUTES

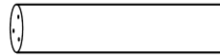
PARTS IDENTIFICATION

A TOP



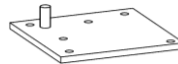
1PC

B LEG



4PCS

C MOUNTING PLATE
(PRE-ATTACHED TO TOP)



4PCS

HARDWARE IDENTIFICATION

1

ALLEN WRENCH
(M4 x 100mm - BLK)



1PC

2

BOLT
(M6 x 25mm - BLK)



16PCS

3

LOCK WASHER
(M6 - BLK)



4PCS

4

FLAT WASHER
(M6 - BLK)



4PCS

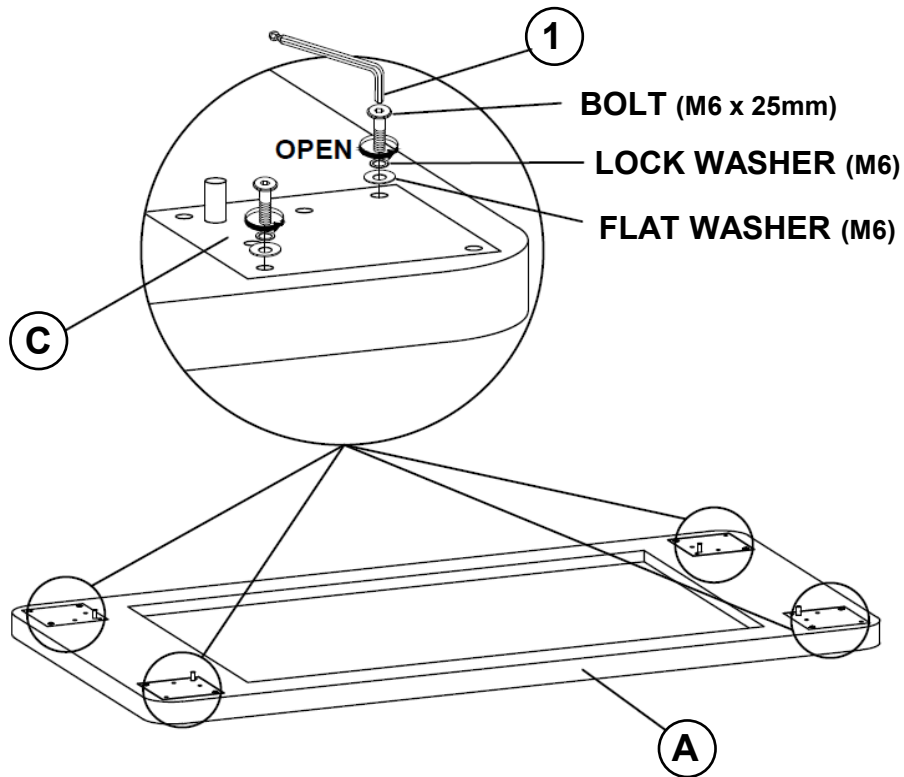
ITEM: **710868**

ASSEMBLY INSTRUCTIONS

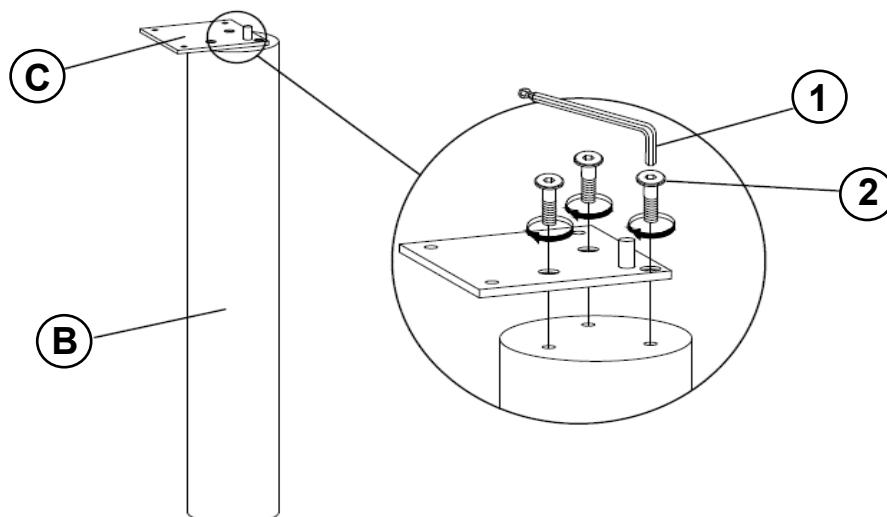


STEP 1

Attention! Please remove part C and all hardware from TOP (A), using ALLEN WRENCH (1) and keep for STEP 3.



STEP 2



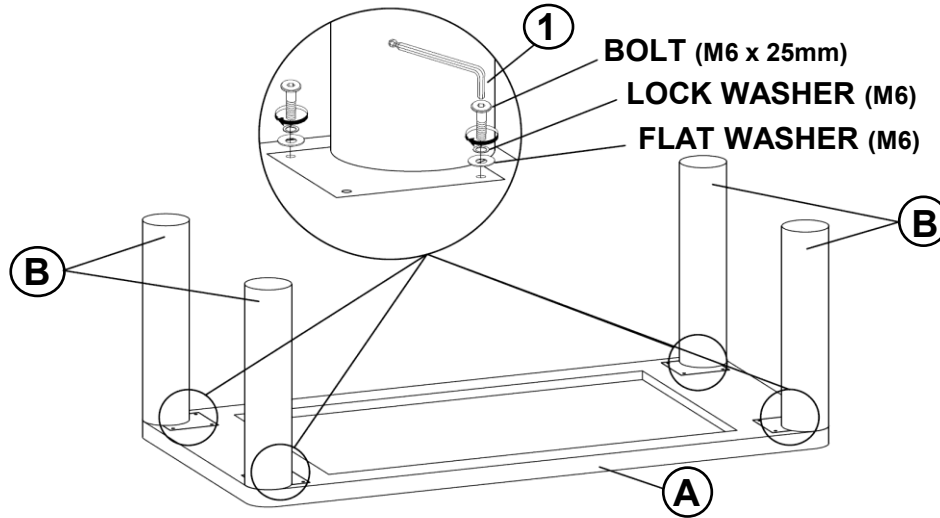
ITEM: **710868**

ASSEMBLY INSTRUCTIONS

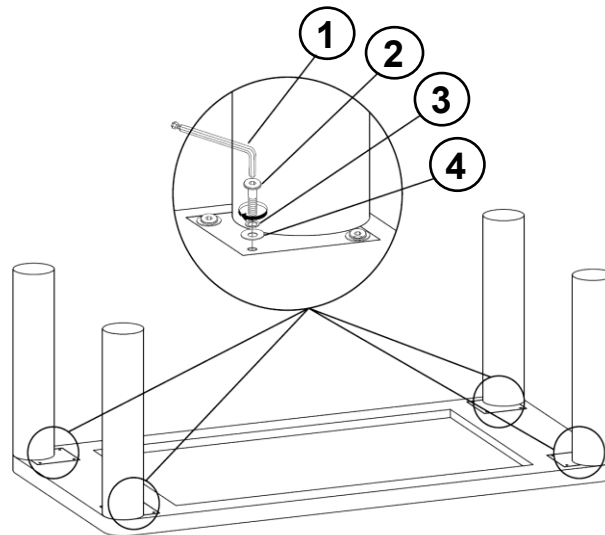


STEP 3

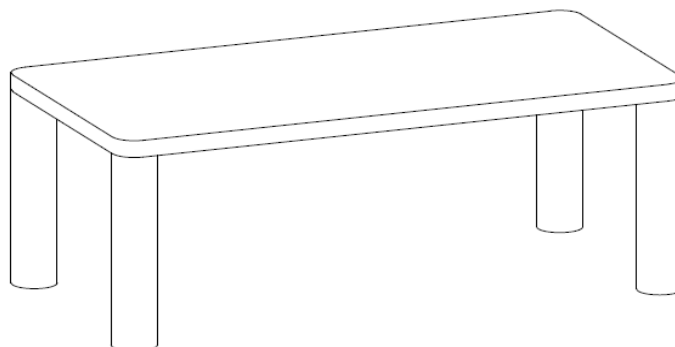
Attention! Use hardware from STEP 1 for this STEP.



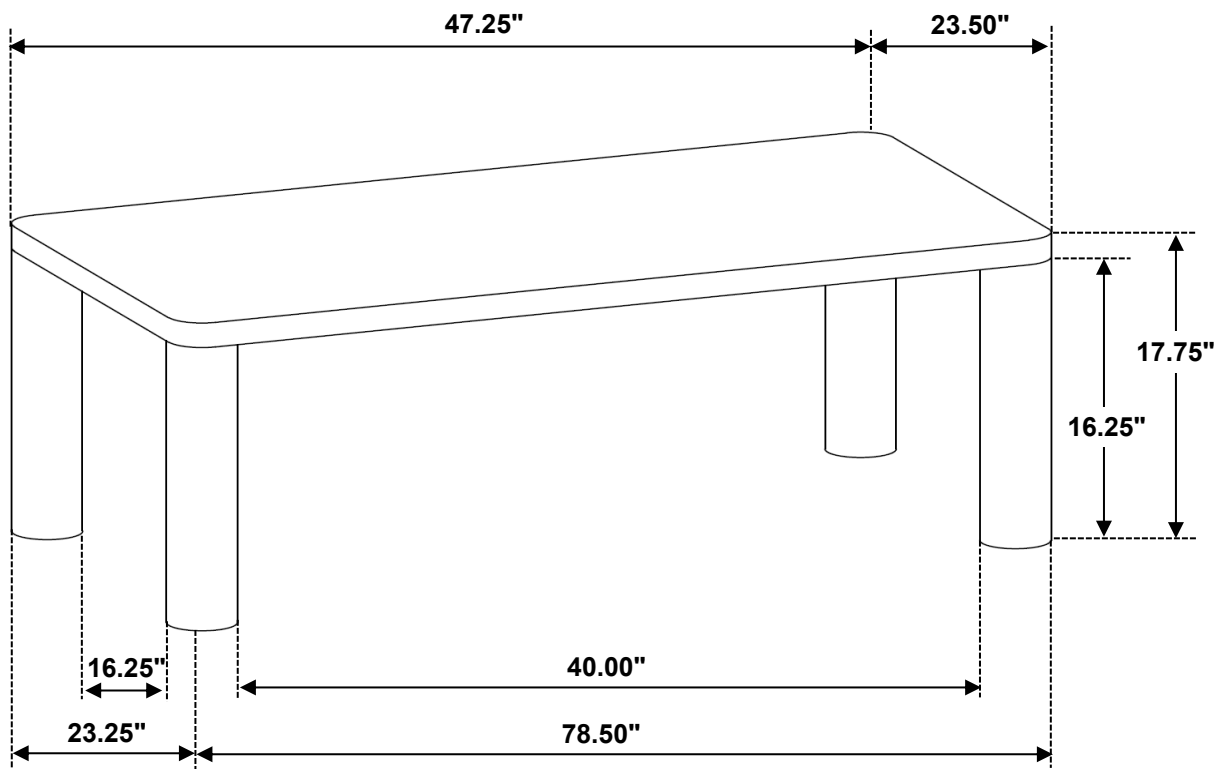
STEP 4



STEP 5 COMPLETE



ITEM: 710868



Note: Dimension tolerance $\pm 5\%$