



*ASSEMBLY INSTRUCTIONS
COASTER FINE FURNITURE*



Fine Furniture for every stage of life

500348(B1&B2)
Sleeper Sectional

ITEM: 500348(B1 & B2)



ASSEMBLY INSTRUCTIONS

ASSEMBLY TIPS:

1. Remove hardware from box and sort by size.
2. Please check to see that all hardware and parts are present prior to start of assembly.
3. Please follow attached instructions in the same sequence as numbered to assure fast & easy assembly.



WARNING!

1. Don't attempt to repair or modify parts that are broken or defective. Please contact the store immediately.
2. This product is for home use only and not intended for commercial establishments.



ASSEMBLY TIME

15 MINUTES

PARTS IDENTIFICATION

B1 (BOX 1)

A	LOVESEAT BACK FRAME		1PC
B	LAF LOVESEAT SEAT		1PC
E	BACK CUSHION		2PCS
F	PILLOW		1PC
G	LEG		2PCS
H	FOOT		4PCS
I	CASTER WITH SCREW		4SETS

B2 (BOX 2)

C	CHAISE BACK FRAME		1PC
D	RAF CHAISE SEAT		1PC
E	BACK CUSHION		2PCS
F	PILLOW		1PC
G	LEG		2PCS
H	FOOT		4PCS

ITEM: 500348(B1 & B2)



ASSEMBLY INSTRUCTIONS

ASSEMBLY TIPS:

1. Remove hardware from box and sort by size.
2. Please check to see that all hardware and parts are present prior to start of assembly.
3. Please follow attached instructions in the same sequence as numbered to assure fast & easy assembly.



WARNING!

1. Don't attempt to repair or modify parts that are broken or defective. Please contact the store immediately.
2. This product is for home use only and not intended for commercial establishments.

HARDWARE IDENTIFICATION

Z-B1(BOX 1) - HARDWARE PACK IS LOCATED IN 500348(B1)

1	PAN HEAD SCREW (M8 x 45mm - BLK)		8PCS
2	CONNECTING METAL (6" x 1-1/4" x 3/8" - BRW)		2PCS

Z-B2(BOX 2) - HARDWARE PACK IS LOCATED IN 500348(B2)

1	PAN HEAD SCREW (M8 x 45mm - BLK)		12PCS
2	CONNECTING METAL (6" x 1-1/4" x 3/8" - BRW)		2PCS

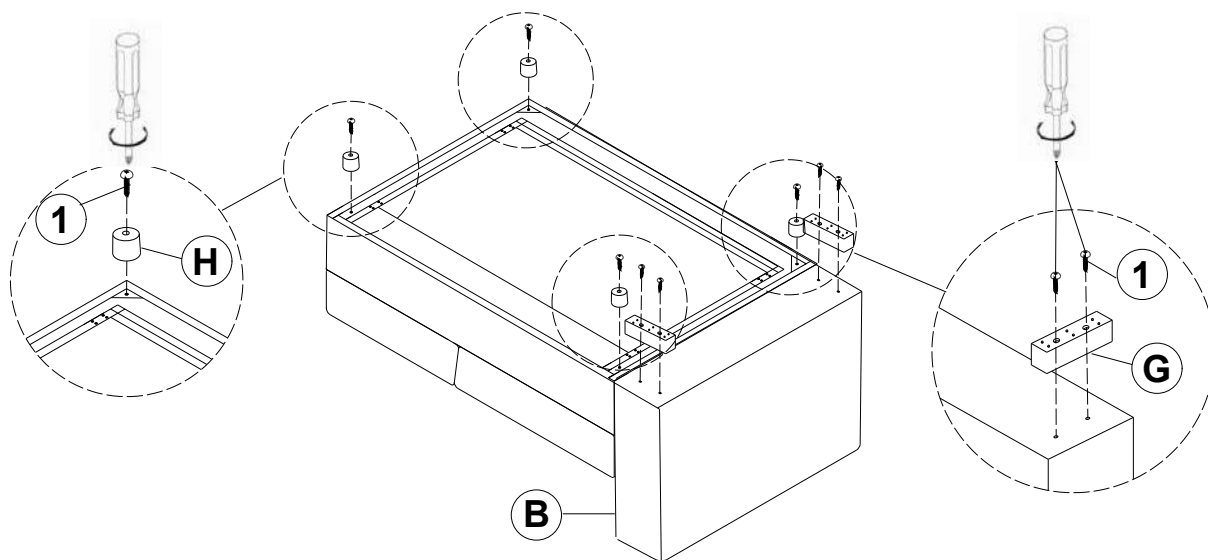
NOTE:

Phillips head screw driver is required in the assembly process; however, manufacturer does not provide this item.

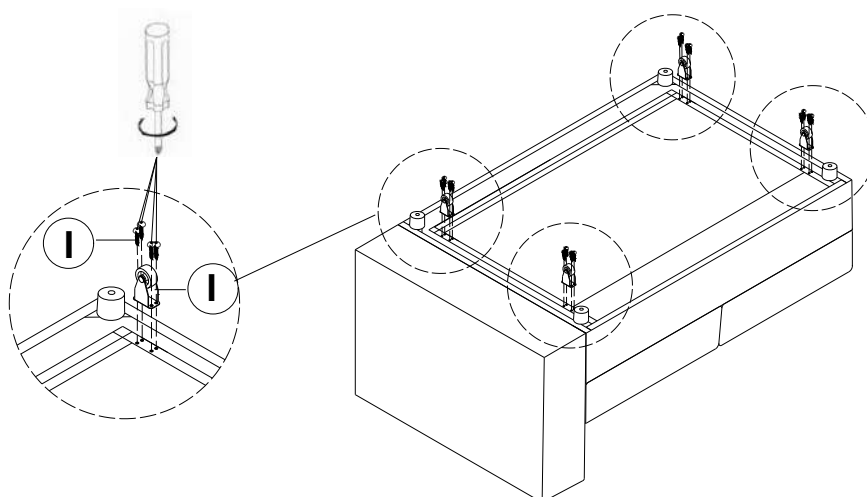
ITEM: 500348(B1 & B2)

ASSEMBLY INSTRUCTIONS

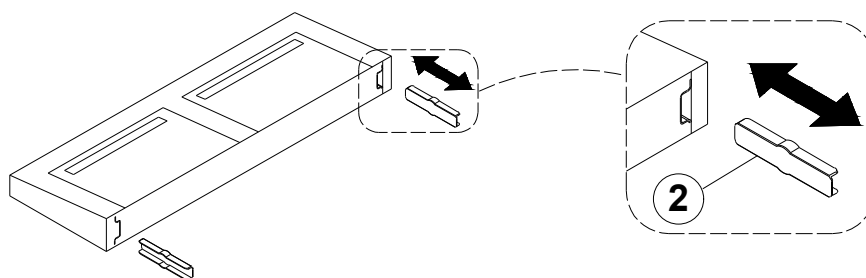
STEP 1



STEP 2



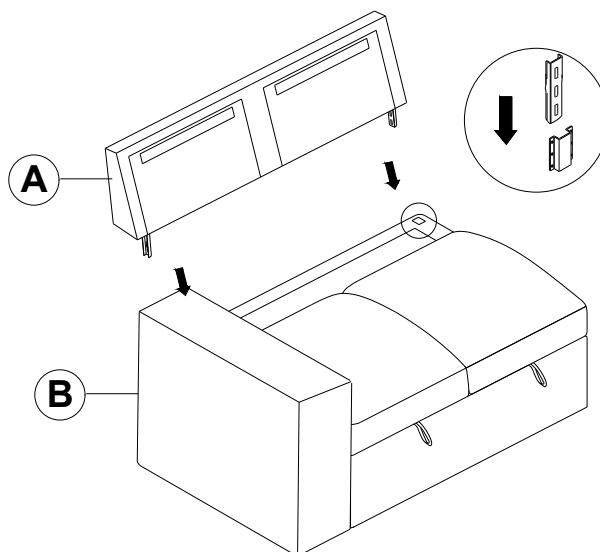
STEP 3



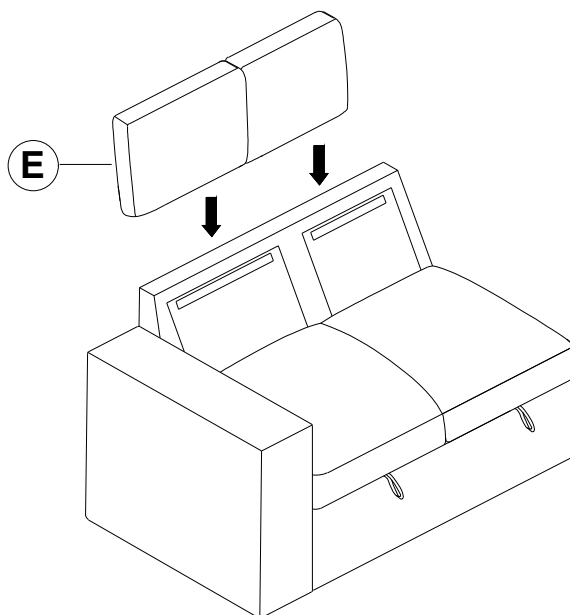
ITEM: 500348(B1 & B2)

ASSEMBLY INSTRUCTIONS

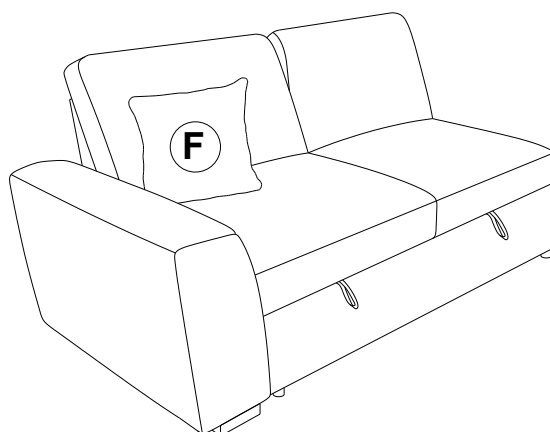
STEP 4



STEP 5



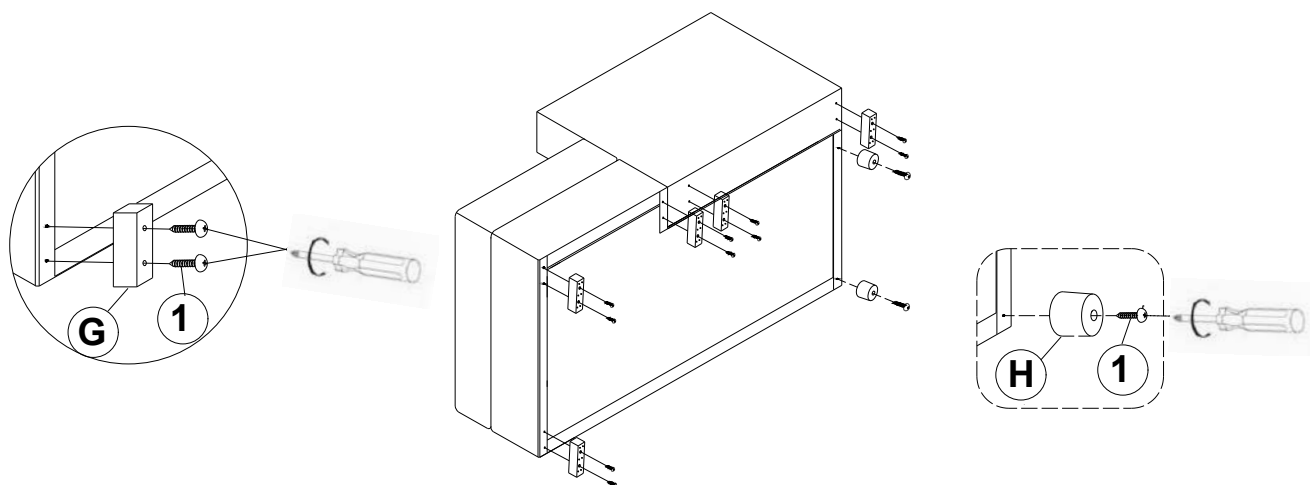
STEP 6



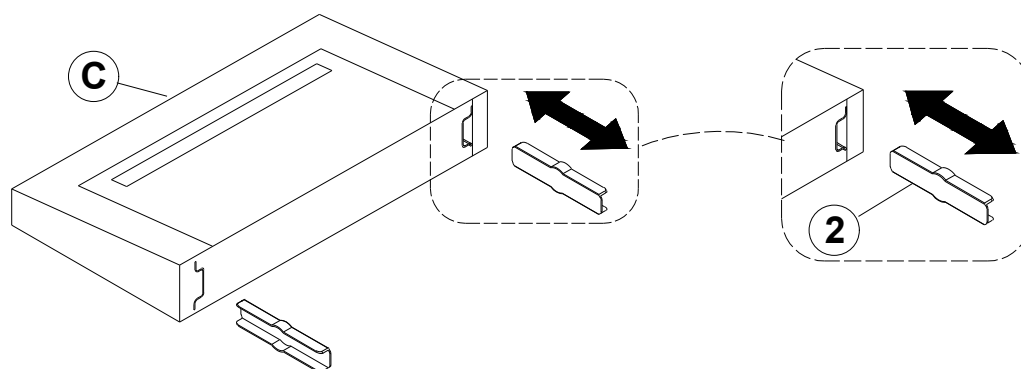
ITEM: 500348(B1 & B2)

ASSEMBLY INSTRUCTIONS

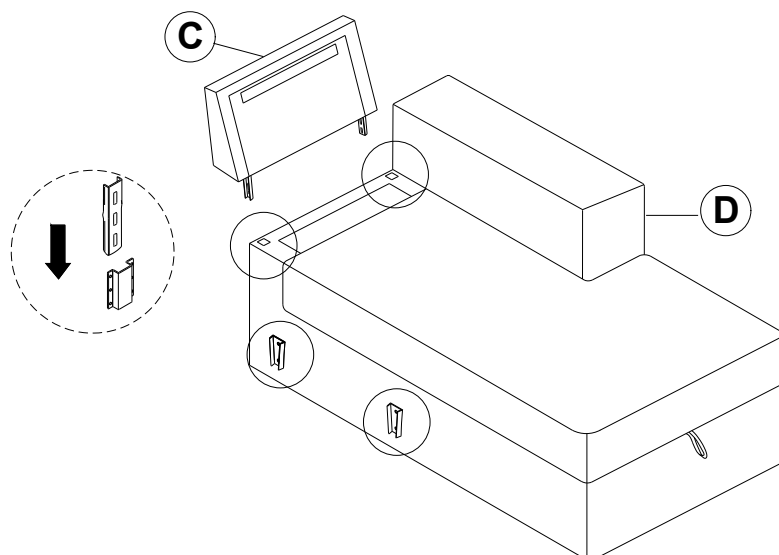
STEP 7



STEP 8



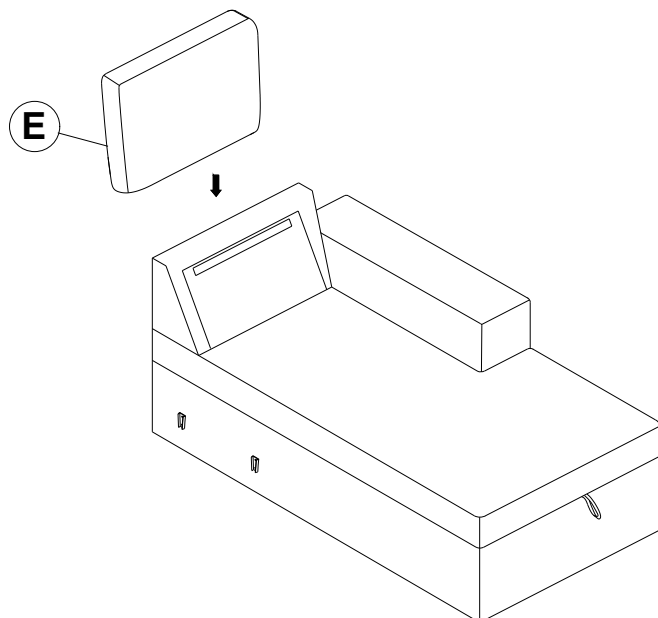
STEP 9



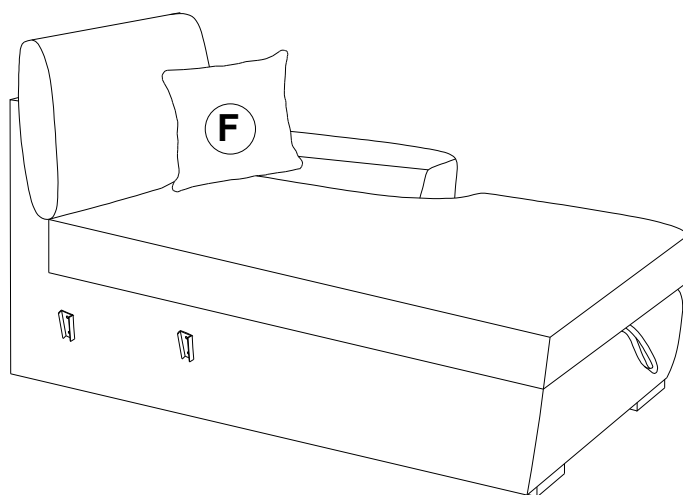
ITEM: 500348(B1 & B2)

ASSEMBLY INSTRUCTIONS

STEP 10



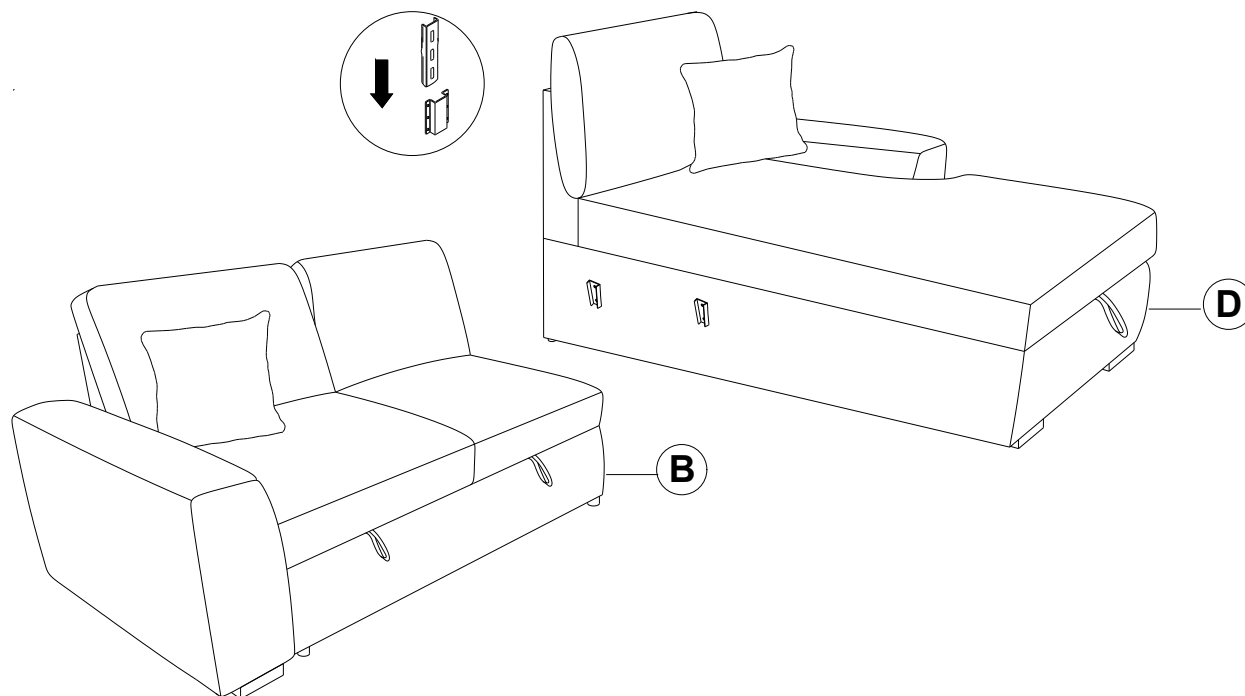
STEP 11



ITEM: 500348(B1 & B2)

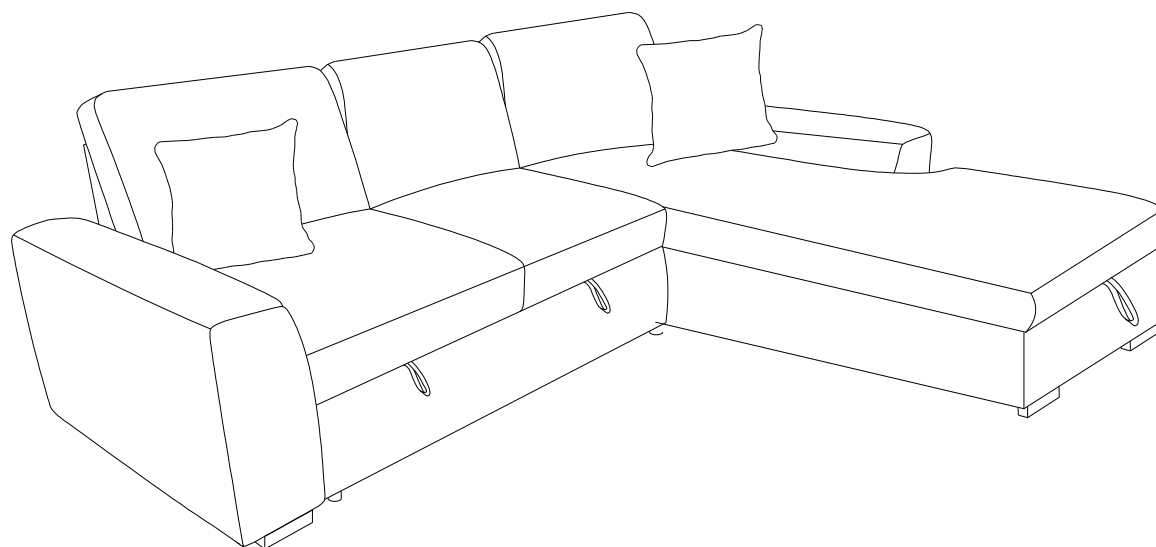
ASSEMBLY INSTRUCTIONS

STEP 12

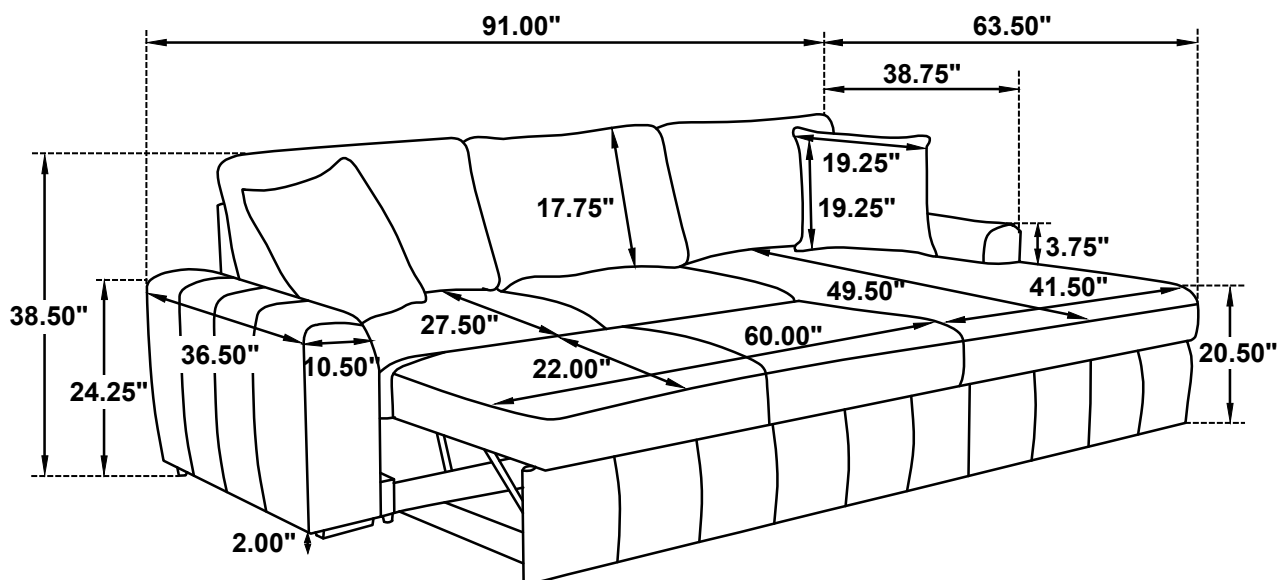


STEP 13

COMPLETE



ITEM: 500348(B1 & B2)



Note: Dimension tolerance $\pm 5\%$