



*ASSEMBLY INSTRUCTIONS  
COASTER FINE FURNITURE*



*Fine Furniture for every stage of life*

**600535P(B1&B2)**  
**Sleeper Sofa Bed**

# ITEM: 600535P(B1&B2)



## ASSEMBLY INSTRUCTIONS

### ASSEMBLY TIPS:

1. Remove hardware from box and sort by size.
2. Please check to see that all hardware and parts are present prior to start of assembly.
3. Please follow attached instructions in the same sequence as numbered to assure fast & easy assembly.



### WARNING!

1. Don't attempt to repair or modify parts that are broken or defective. Please contact the store immediately.
2. This product is for home use only and not intended for commercial establishments.



ASSEMBLY TIME

15 MINUTES

## PARTS IDENTIFICATION

### B1 (BOX 1)

A	BACKREST		1PC
D	BACK CUSHION		1PC
F	LEG		2PCS
H	CASTER		2PCS

B	LAF SEAT		1PC
E	PILLOW		2PCS
G	FOOT		4PCS

### B2 (BOX 2)

A	BACKREST		1PC
D	BACK CUSHION		1PC
F	LEG		2PCS
H	CASTER		2PCS
J	ADAPTER		1PC

C	RAF SEAT		1PC
E	PILLOW		2PCS
G	FOOT		4PCS
I	CONNECTING WIRE		1PC
K	PLUG		1PC

# ITEM: 600535P(B1&B2)



## ASSEMBLY INSTRUCTIONS

### ASSEMBLY TIPS:

1. Remove hardware from box and sort by size.
2. Please check to see that all hardware and parts are present prior to start of assembly.
3. Please follow attached instructions in the same sequence as numbered to assure fast & easy assembly.








### WARNING!






1. Don't attempt to repair or modify parts that are broken or defective. Please contact the store immediately.
2. This product is for home use only and not intended for commercial establishments.

## HARDWARE IDENTIFICATION

### Z-B1 (BOX 1) - HARDWARE PACK IS LOCATED IN 600535P(B1)

1	<b>PAN HEAD SCREW</b> (#8 x 45mm - BLK)		16PCS
2	<b>BOLT</b> (1/4" x 20mm - BLK)		4PCS
3	<b>FLAT WASHER</b> (1/4" x 20mm - BLK)		4PCS
4	<b>ALLEN WRENCH</b> (M4 x 70mm - BLK)		1PC
5	<b>BRACKET</b> (M4 x 70mm - BLK)		2PCS

### Z-B2 (BOX 2) - HARDWARE PACK IS LOCATED IN 600535P(B2)

1	<b>PAN HEAD SCREW</b> (#8 x 45mm - BLK)		16PCS
2	<b>BOLT</b> (1/4" x 20mm - BLK)		4PCS
3	<b>FLAT WASHER</b> (1/4" x 20mm - BLK)		4PCS
4	<b>ALLEN WRENCH</b> (M4 x 70mm - BLK)		1PC
5	<b>BRACKET</b> (M4 x 70mm - BLK)		2PCS

### NOTE :

Phillips head screw driver is required in the assembly process. However, manufacturer does not provide this item.

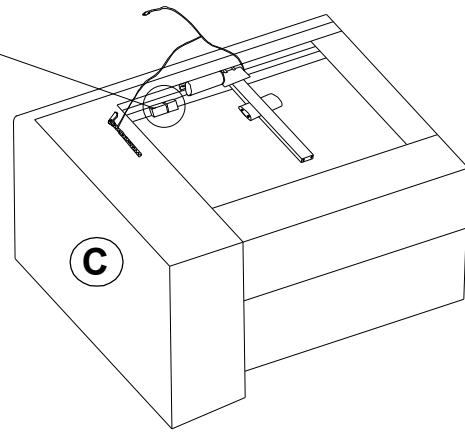
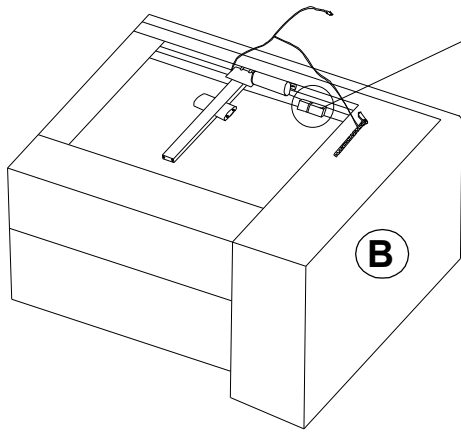
# ITEM: 600535P(B1&B2)

## ASSEMBLY INSTRUCTIONS

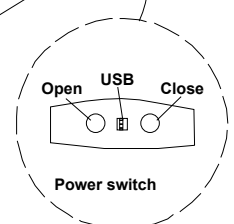
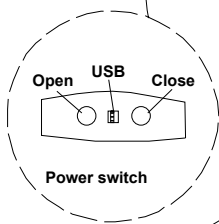
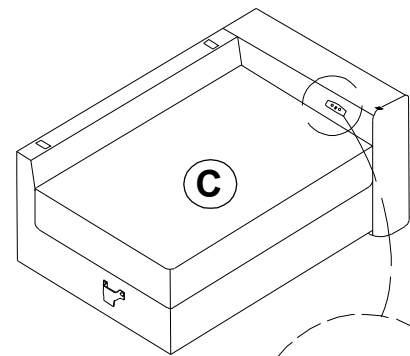
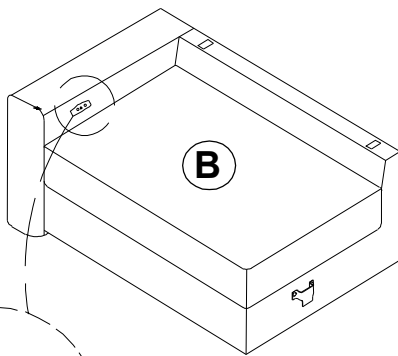


### STEP 1

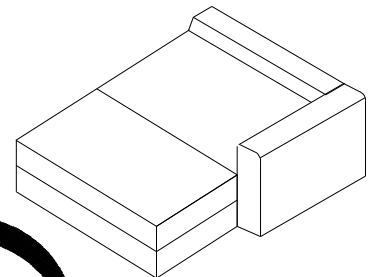
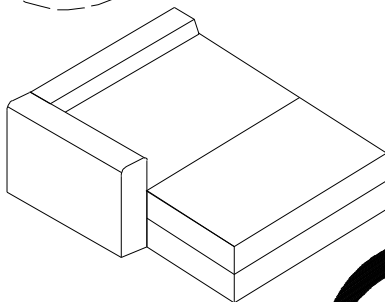
HARDWARE PACK



### STEP 2



\*\*When the power switch is turned on, the chair will automatically come out.

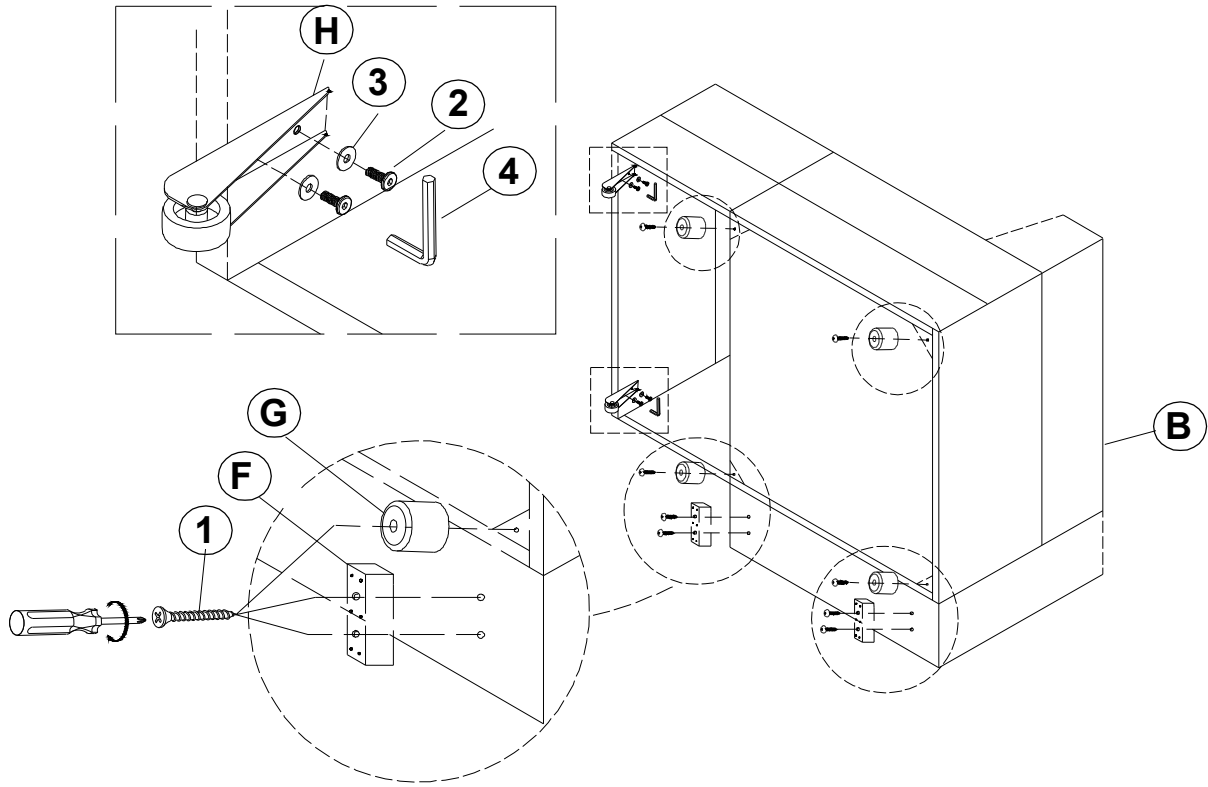


# ITEM: 600535P(B1&B2)

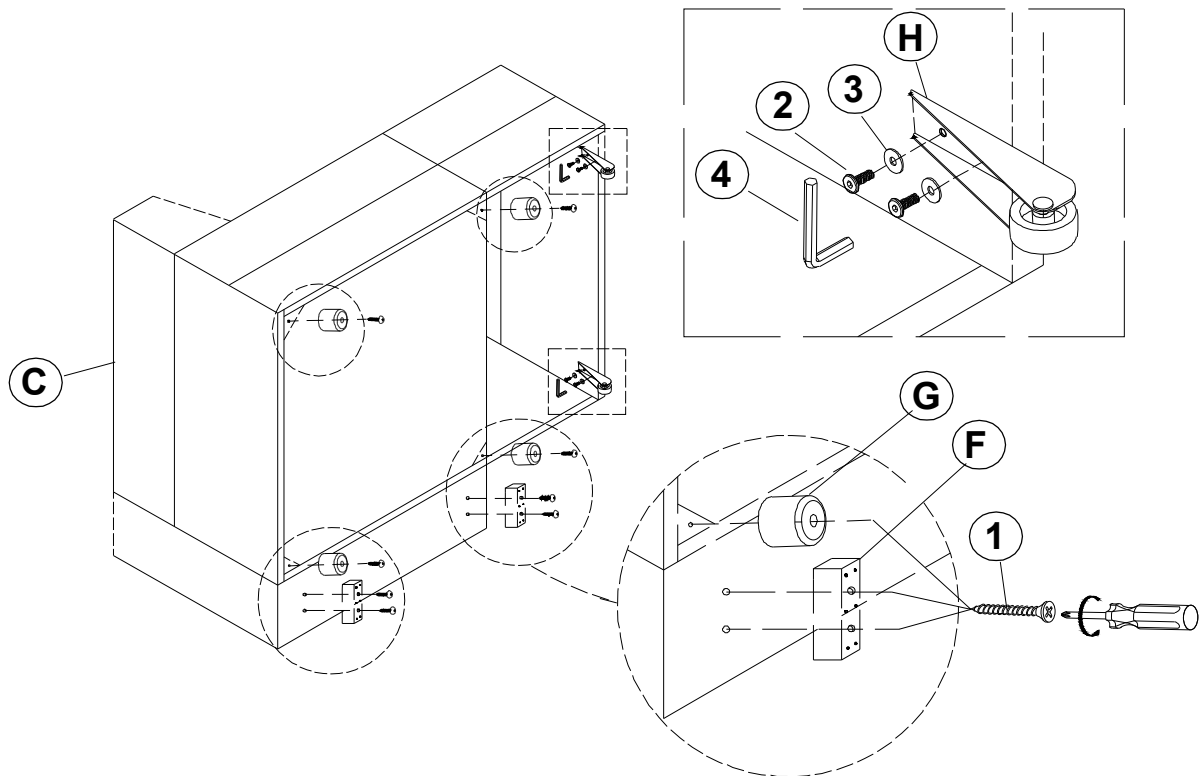
## ASSEMBLY INSTRUCTIONS



### STEP 3



### STEP 4

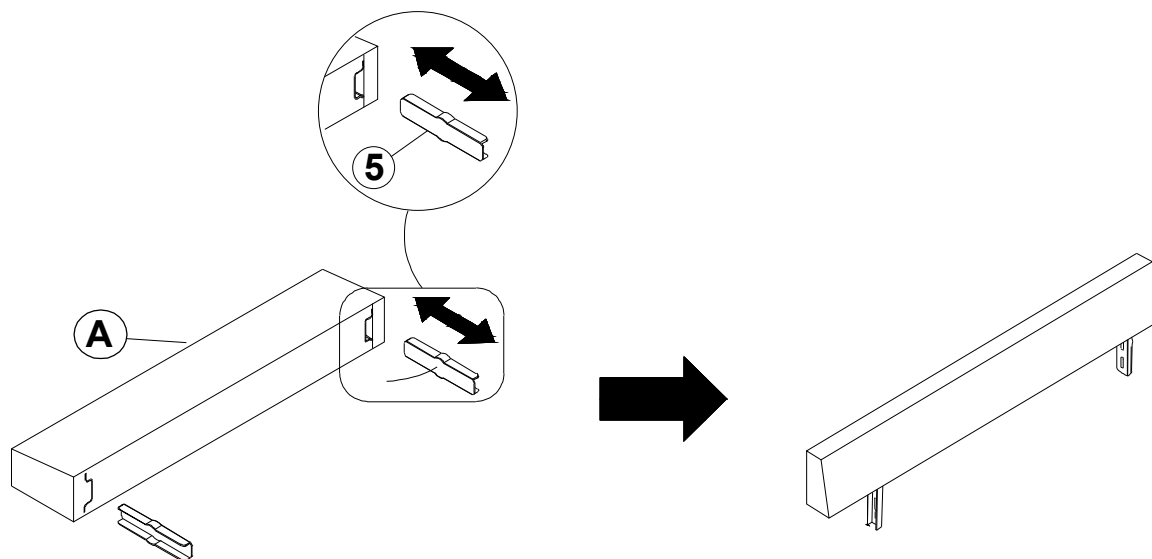


# ITEM: 600535P(B1&B2)

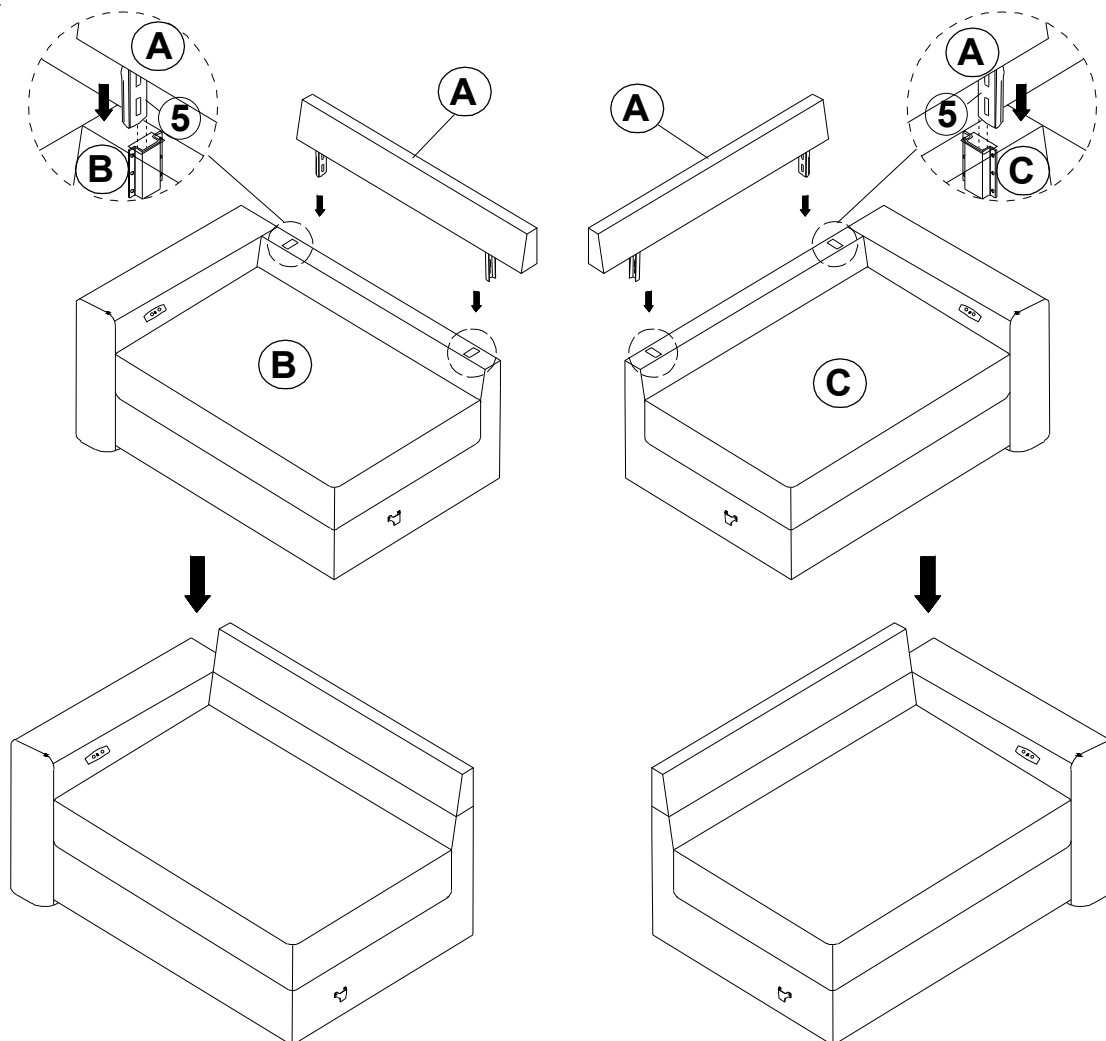
## ASSEMBLY INSTRUCTIONS



### STEP 5



### STEP 6

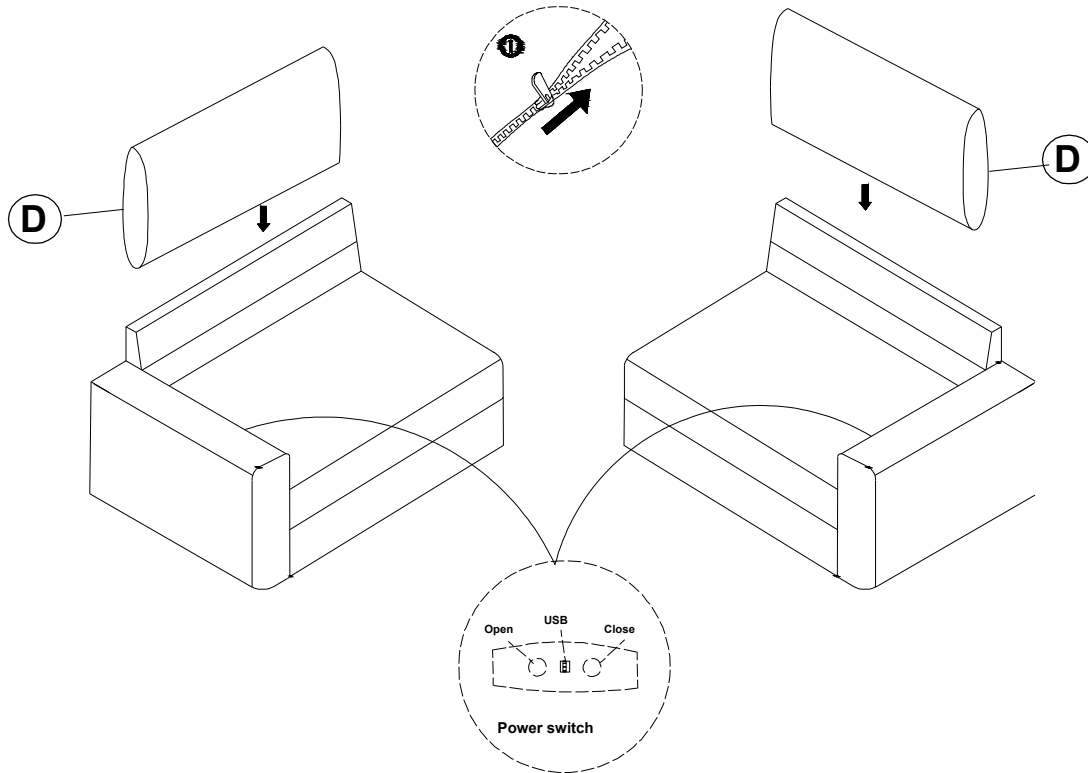


# ITEM: 600535P(B1&B2)

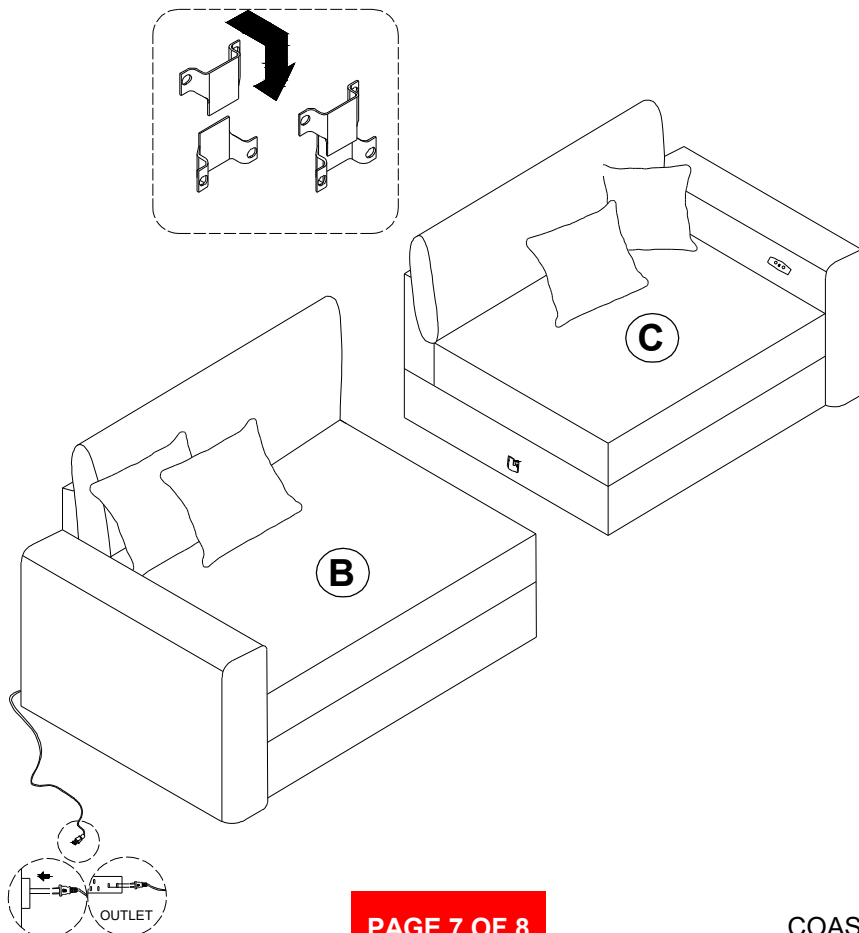
## ASSEMBLY INSTRUCTIONS



### STEP 7



### STEP 8

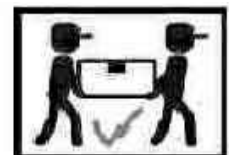
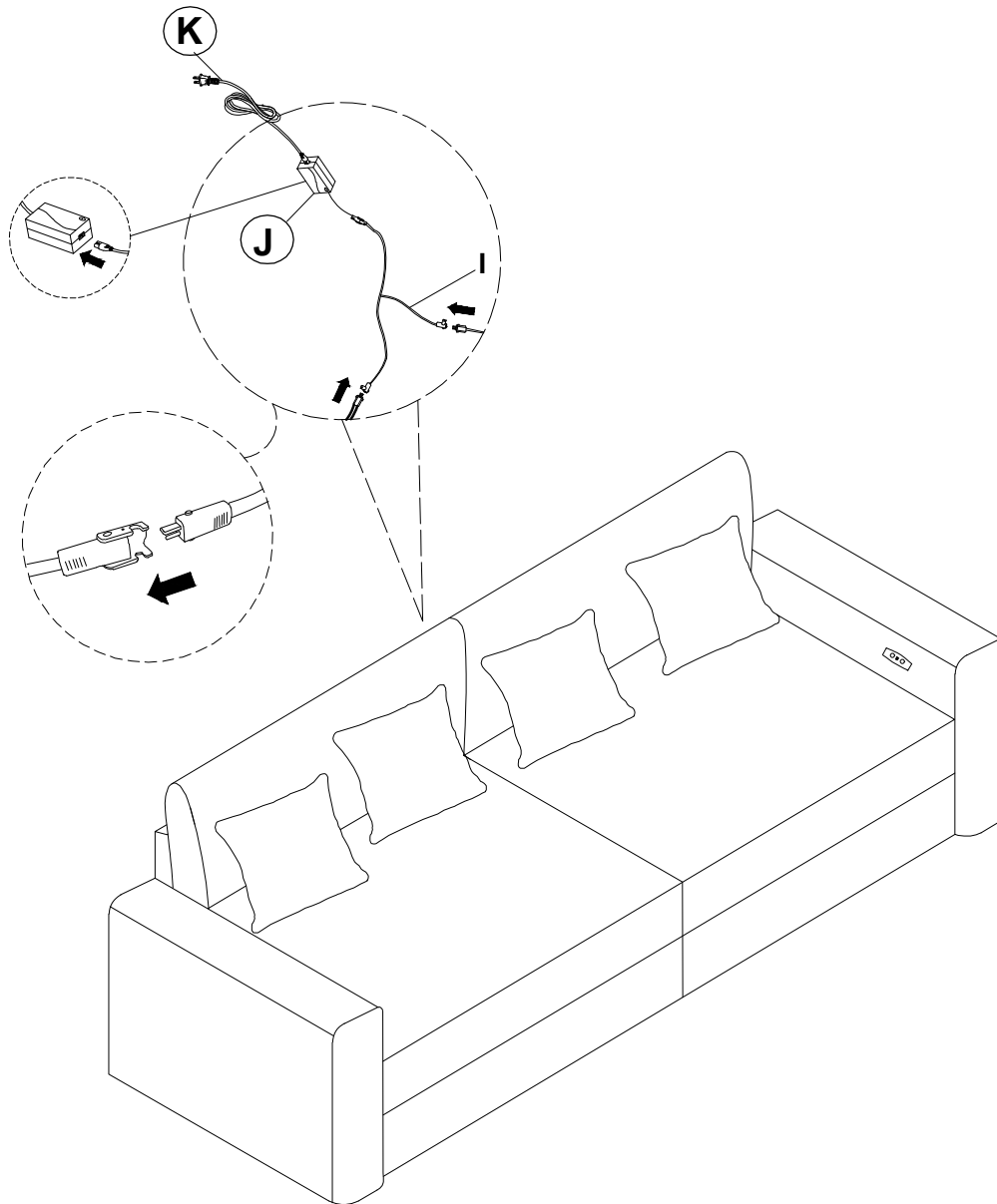


# ITEM: 600535P(B1&B2)

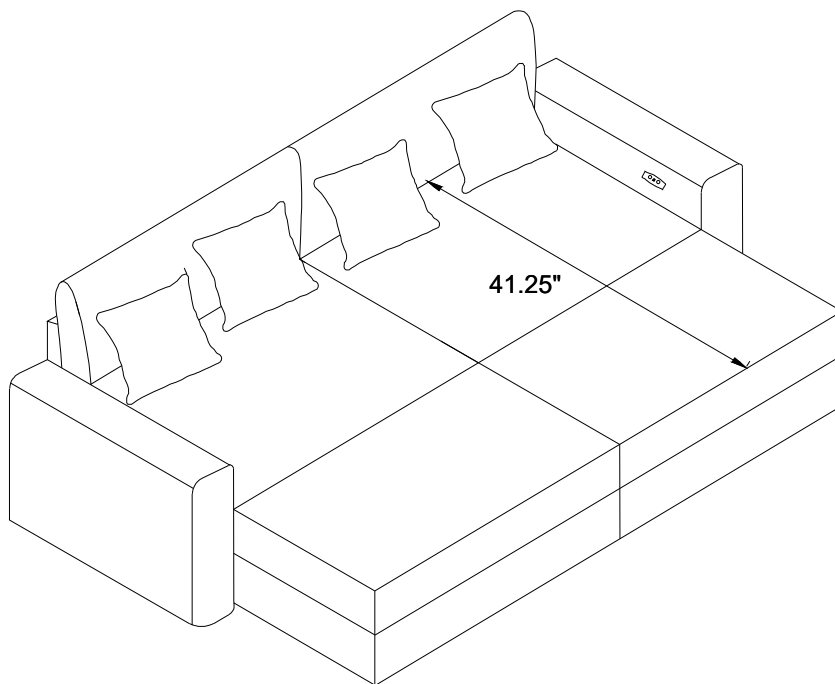
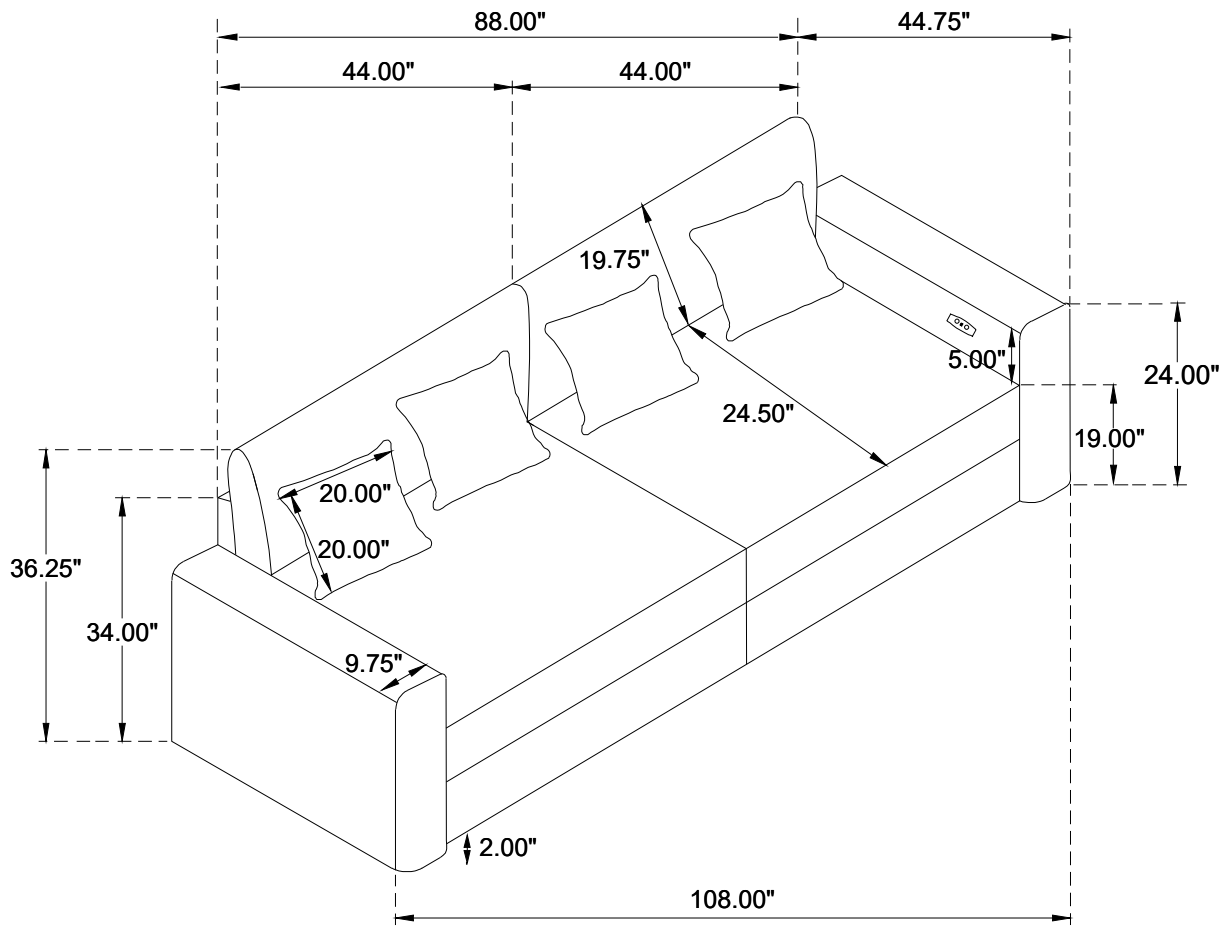
## ASSEMBLY INSTRUCTIONS

### STEP 9

### COMPLETE



# ITEM: 600535P(B1&B2)



Note: Dimension tolerance  $\pm 5\%$