



*ASSEMBLY INSTRUCTIONS*  
*COASTER FINE FURNITURE*



*Fine Furniture for every stage of life*

**122509BLK**  
***Counter Stool***

# ITEM : 122509BLK

## ASSEMBLY INSTRUCTION



### ASSEMBLY TIPS :

1. Remove hardware from box and sort by size.
2. Please check to see that all hardware and parts are present prior to start of assembly.
3. Please follow attached instructions in the same sequence as numbered to assure fast & easy assembly.



### WARNING :



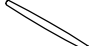
1. Don't attempt to repair or modify parts that are broken or defective. Please contact the store immediately
2. This product is for home use only and not intended for commercial establishments.






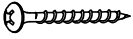
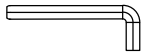
ASSEMBLY TIME

15 MINUTES

## PARTS IDENTIFICATION

A	SEAT AND BACK		1PC
B	LEG FRAME		2PCS
C	STRETCHER		2PCS

## HARDWARE IDENTIFICATION

1	<b>BOLT</b> (Ø1/4" x 35mm - RBW)		6PCS
2	<b>LOCK WASHER</b> (Ø5/16" x 13mm - RBW)		6PCS
3	<b>FLAT WASHER</b> (Ø5/16" x 19mm - RBW)		6PCS
4	<b>PAN HEAD SCREW</b> (Ø4" x 28mm - RBW)		4PCS
5	<b>ALLEN WRENCH</b> (M4 x 59mm - RBW)		1PC

### NOTE:

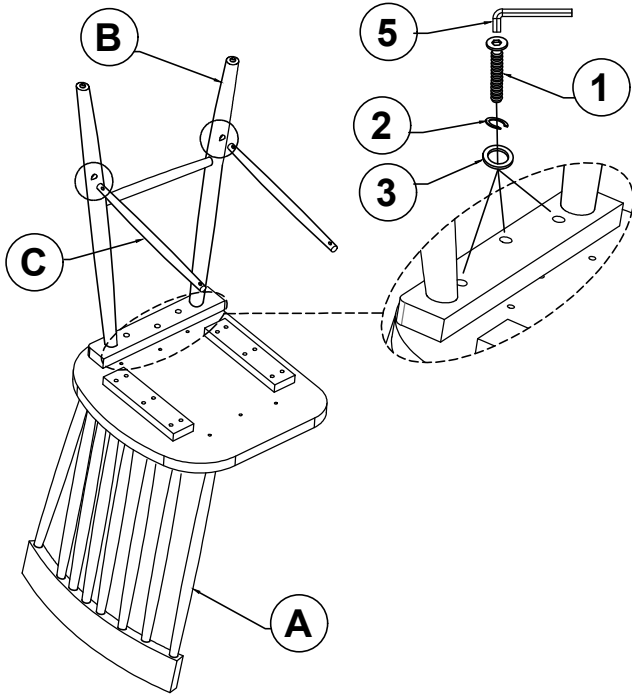
Phillips head screw driver is required in the assembly process. However, manufacturer does not provide this item.

# ITEM : 122509BLK

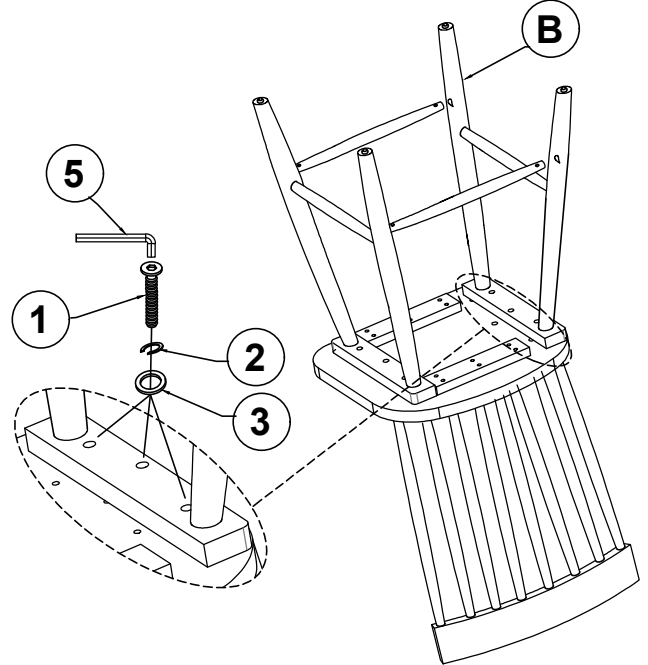
## ASSEMBLY INSTRUCTION



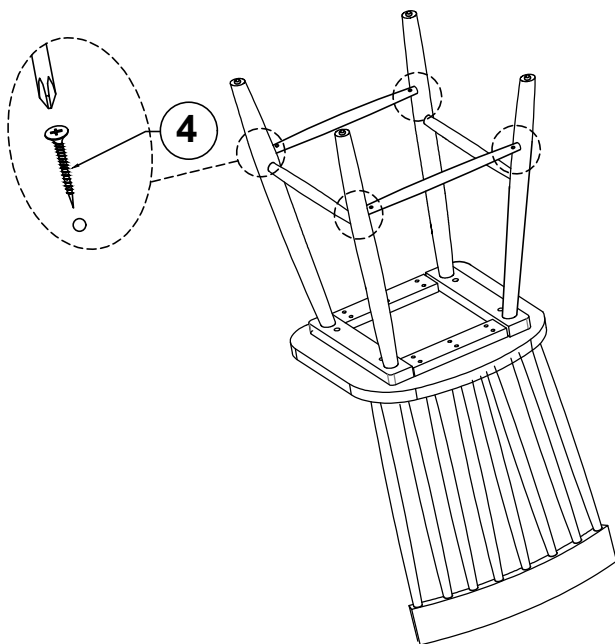
### STEP 1



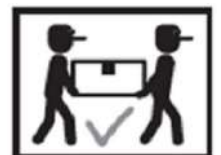
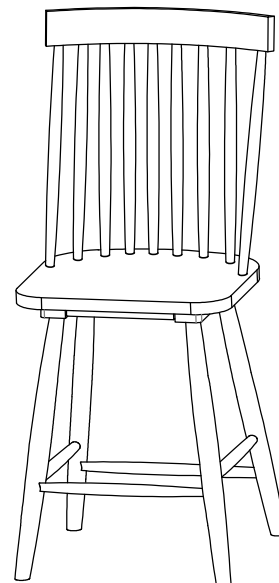
### STEP 2



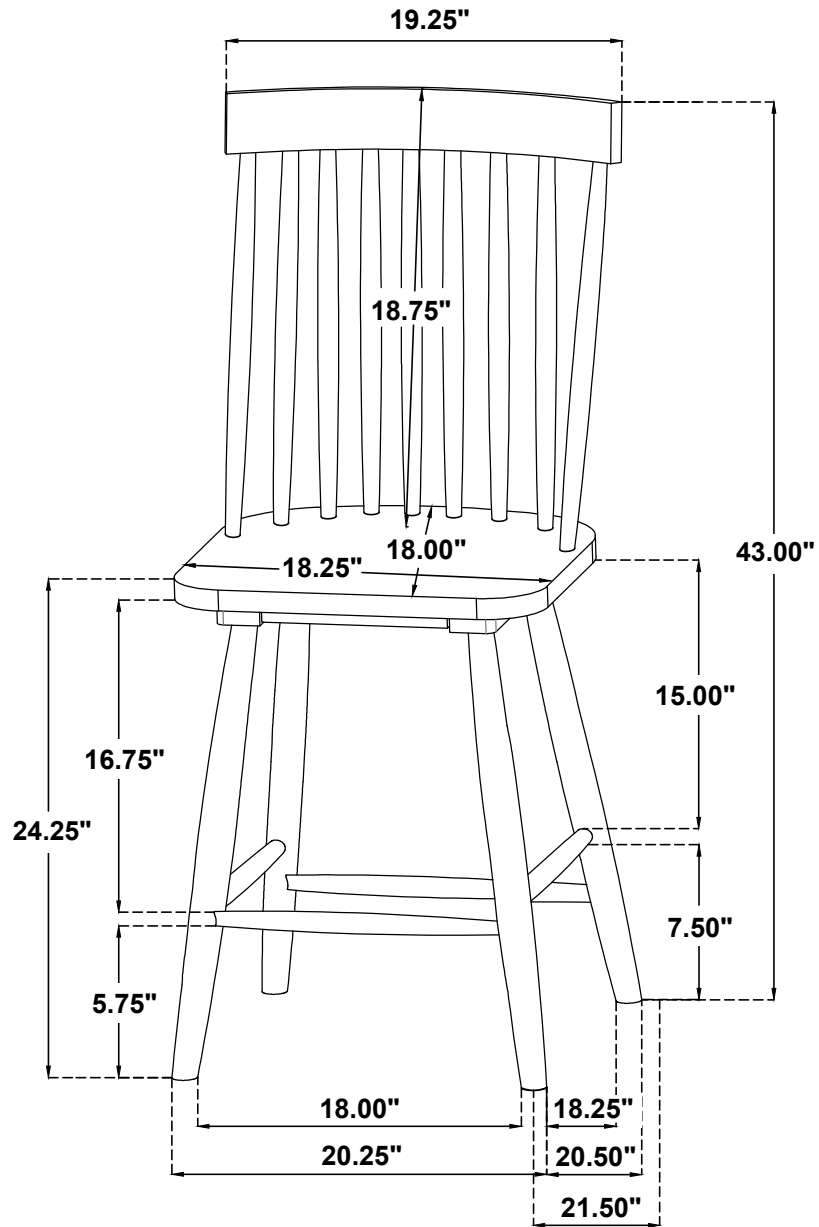
### STEP 3



### STEP 4 COMPLETE



ITEM : **122509BLK**



Note: Dimension tolerance  $\pm 5\%$