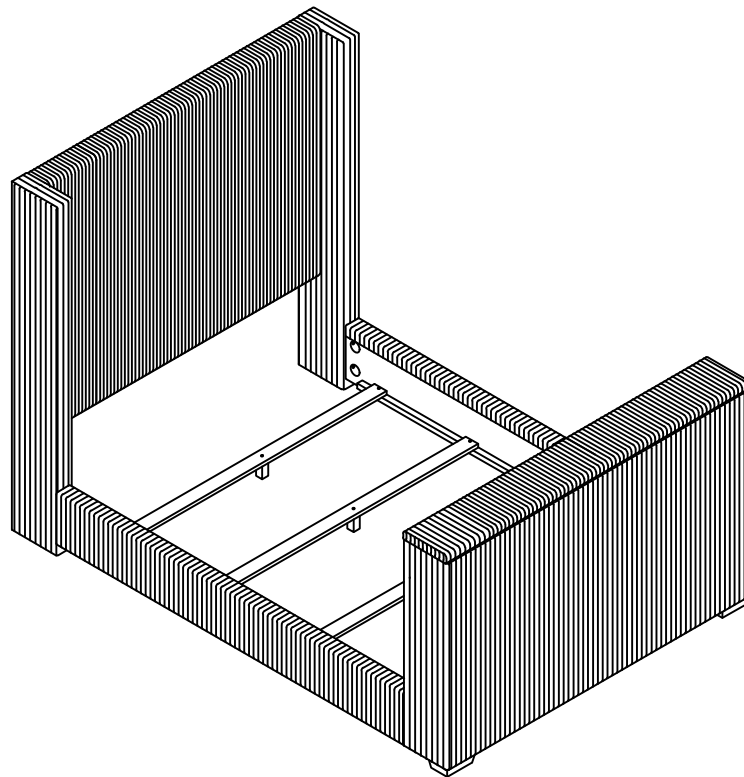


ASSEMBLY INSTRUCTIONS
COASTER FINE FURNITURE



Fine Furniture for every stage of life

315945Q(B1-B3)
Queen Bed

ITEM: 315945Q(B1-B3)



ASSEMBLY INSTRUCTIONS

ASSEMBLY TIPS:

1. Remove hardware from box and sort by size.
2. Please check to see that all hardware and parts are present prior to start of assembly.
3. Please follow attached instructions in the same sequence as numbered to assure fast & easy assembly.



WARNING!

1. Don't attempt to repair or modify parts that are broken or defective. Please contact the store immediately.
2. This product is for home use only and not intended for commercial establishments.



ASSEMBLY TIME

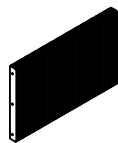
15 MINUTES

TV MAX SIZE : 50"

PARTS IDENTIFICATION

B1 (BOX 1)

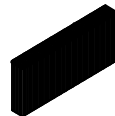
A HEADBOARD PANEL



1PC

B2 (BOX 2)

B FOOTBOARD WITH TV LIFT



1PC

C LEFT FOOTBOARD LEG WITH "L" LABEL



1PC

D RIGHT FOOTBOARD LEG WITH "R" LABEL



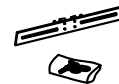
1PC

J REMOTE CONTROL



1PC

K TV MOUNT BRACKET WITH HARDWARE PACK



1SET

B3 (BOX 3)

E LEFT WING



1PC

F RIGHT WING



1PC

G BED RAIL



2PCS

H BED SLAT



4PCS

I BED SLAT SUPPORT WITH LEVELER



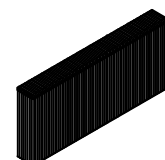
4PCS

HB 315945Q(B1&B3)
FROM BOX 1 & BOX 3
HEADBOARD COMPLETE



1PC

FB 315945Q(B2)
FROM BOX 2
FOOTBOARD
COMPLETE



1PC

ITEM: 315945Q(B1-B3)



ASSEMBLY INSTRUCTIONS

ASSEMBLY TIPS:

1. Remove hardware from box and sort by size.
2. Please check to see that all hardware and parts are present prior to start of assembly.
3. Please follow attached instructions in the same sequence as numbered to assure fast & easy assembly.





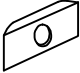
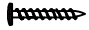

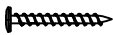


WARNING!

1. Don't attempt to repair or modify parts that are broken or defective. Please contact the store immediately.
2. This product is for home use only and not intended for commercial establishments.







HARDWARE IDENTIFICATION

Z-B2 (BOX 2) - HARDWARE PACK IS LOCATED IN 315945Q(B2)

1	THREADED BOLT (Ø 5/16" x 90mm - BLK)		14PCS	5	FLAT WASHER (Ø 5/16" - BLK)		6PCS
2	HEX NUT (Ø 5/16" - BLK)		14PCS	6	WRENCH (14mm - BLK)		1PC
3	CURVE WASHER (Ø 5/16" - BLK)		8PCS	7	SHORT FLAT HEAD SCREW (M4 x 30mm - BLK)		8PCS
4	LOCK WASHER (Ø 5/16" - BLK)		6PCS	8	LONG FLAT HEAD SCREW (M4 x 50mm - BLK)		8PCS

HARDWARE PACK FROM PART K FOR TV MOUNTING IN FOOTBOARD

**ATTENTION : Hardware provided may not suitable for your TV.
Please check for size and fit compatibility prior to installing TV to rack.**

9	BIG ALLEN WRENCH (M5 - BLK)		1PC	12	SMALL BOLT (M6 x 20mm - BLK)		2PCS
10	BIG BOLT (M8 x 20mm - BLK)		2PCS	13	LOCK WASHER (M8 - BLK)		2PCS
11	SMALL ALLEN WRENCH (M4 - BLK)		1PC	14	BIG FLAT WASHER (M8 - BLK)		2PCS

NOTE:

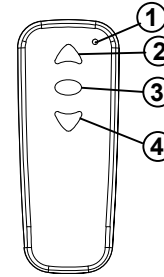
Phillips head screw driver is required in the assembly process; however, manufacturer does not provide this item.

ITEM: 315945Q(B1-B3)



1-REMOTE CONTROL:

- ①. Indicator light: When the remote control sends a signal, the indicator light is on.
- ②. Up button: Press this button to make the main body rise.
- ③. Stop button: Press this button to stop the main body.
- ④. Down button: Press this button to make the main body descend.



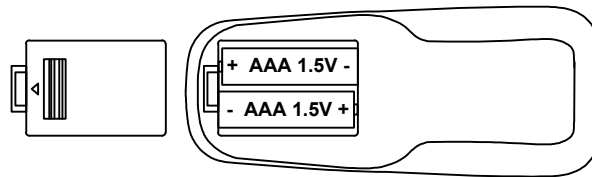
The battery compartment is located on the back of the remote control.

1. Press and slide the battery cover to open.
2. Insert two 1.5V (AAA) batteries (included) ensuring the correct polarity (+ and -) is marked inside the battery compartment.
3. Close the battery cover.

***NOTE:** The batteries must be removed if the product is not to be used for a long period of time.

When replacing the batteries, replace both batteries with new batteries of the same type at the same time.

- Do not mix old and new batteries.
- Do not mix alkaline, standard (Carbon-Zinc) or rechargeable (Nicad, Nimh, etc.) batteries.



Self-learning password function: (Each elevator has its own independent password. When replacing a new remote control, it needs to be paired once before it can be used)

1. Unplug the elevator control box and input the main power and wait for at least 1 Minutes.
2. Press the up/down button of the remote control with one hand, and turn on the control box with the other hand. Wait for about five seconds. The elevator will pair itself after receiving the signal from the remote control, and then the elevator will rise/lower.
3. After the self-learning code is successful, the elevator will be controlled by this remote control.

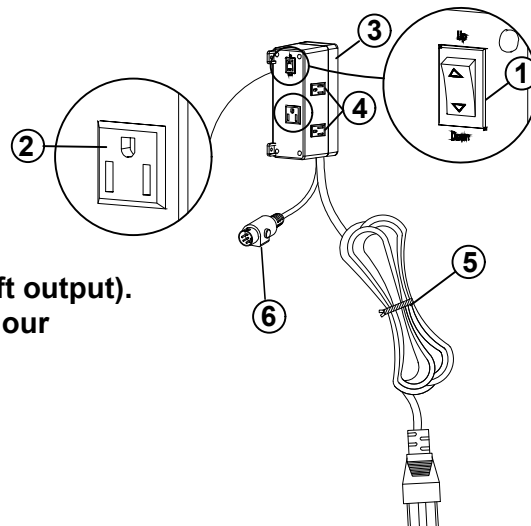
***Note:** The maximum effective control distance of the remote control is 15 feet.

2-MAIN FUNCTION MENU:

1. This elevator can automatically rise and lower.
2. Remote control function.
3. 21V power output power supply.
4. Power output power supply.

Control box:

- ①. Manually control the lift to rise and lower.
- ②. TV power supply interface (controlled by the lift output).
- ③. DC21V power interface (can only be used with our company's products).
- ④. Power supply output interface.
- ⑤. Power cord.
- ⑥. Control motor connection line.

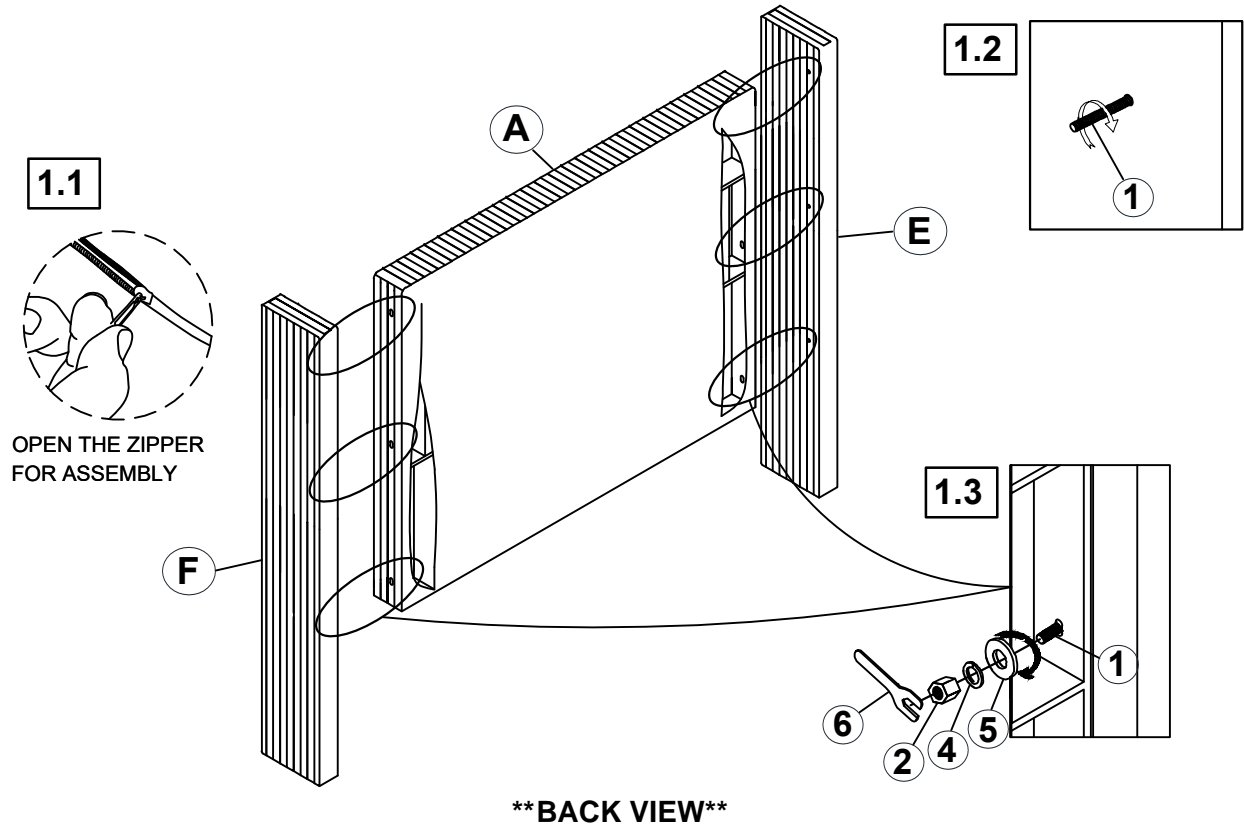


ITEM: 315945Q(B1-B3)

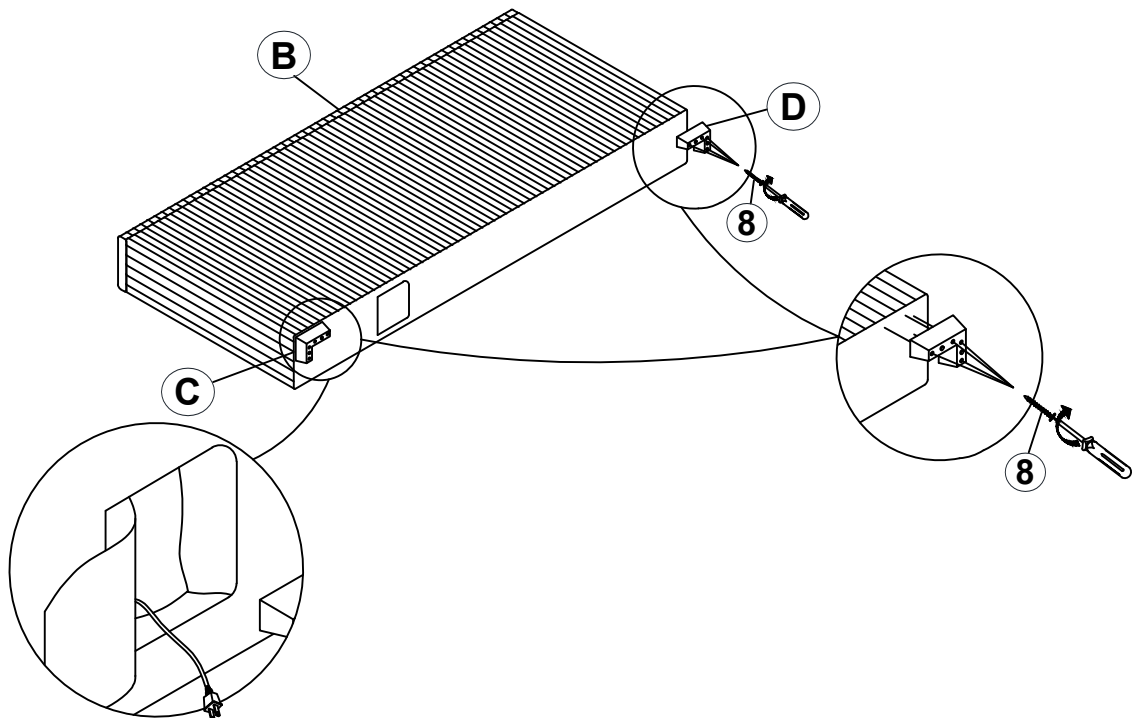
ASSEMBLY INSTRUCTIONS



STEP 1



STEP 2

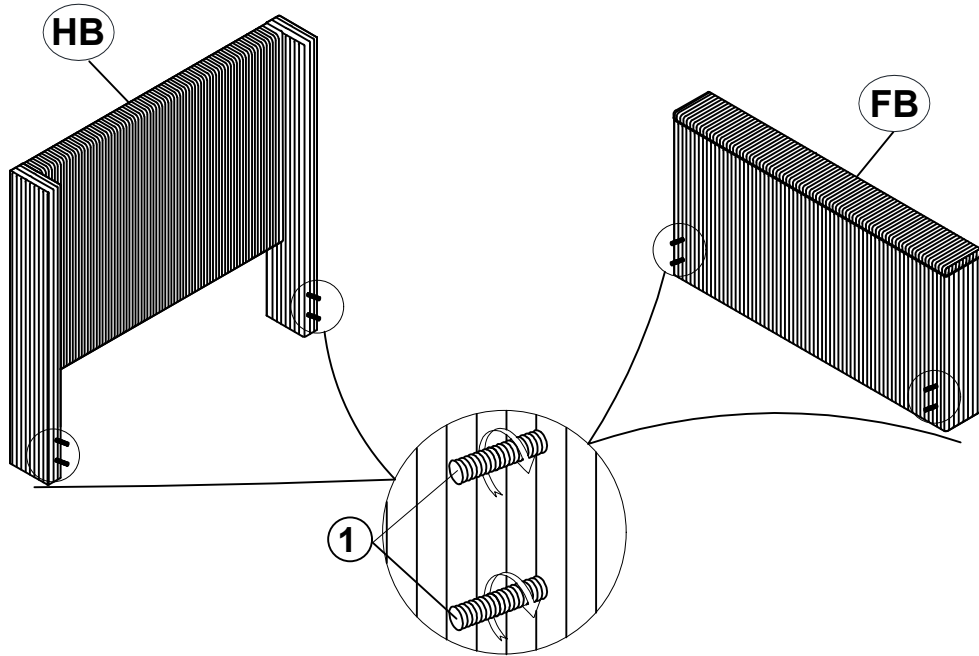


ITEM: 315945Q(B1-B3)

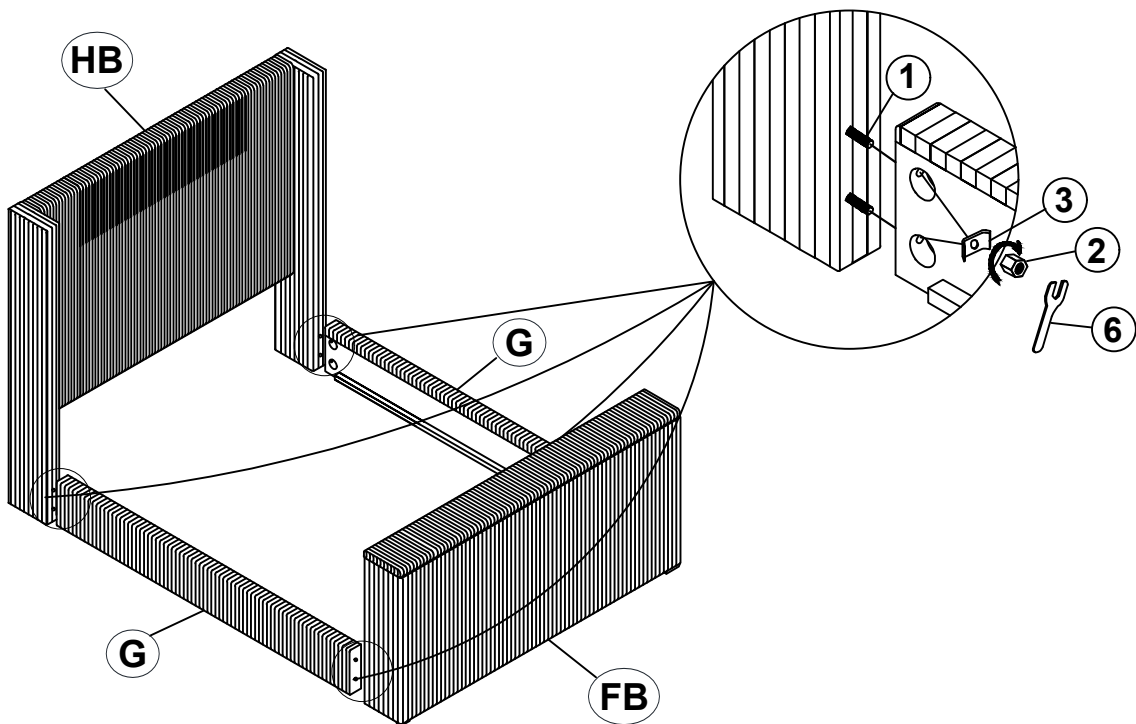
ASSEMBLY INSTRUCTIONS



STEP 3



STEP 4

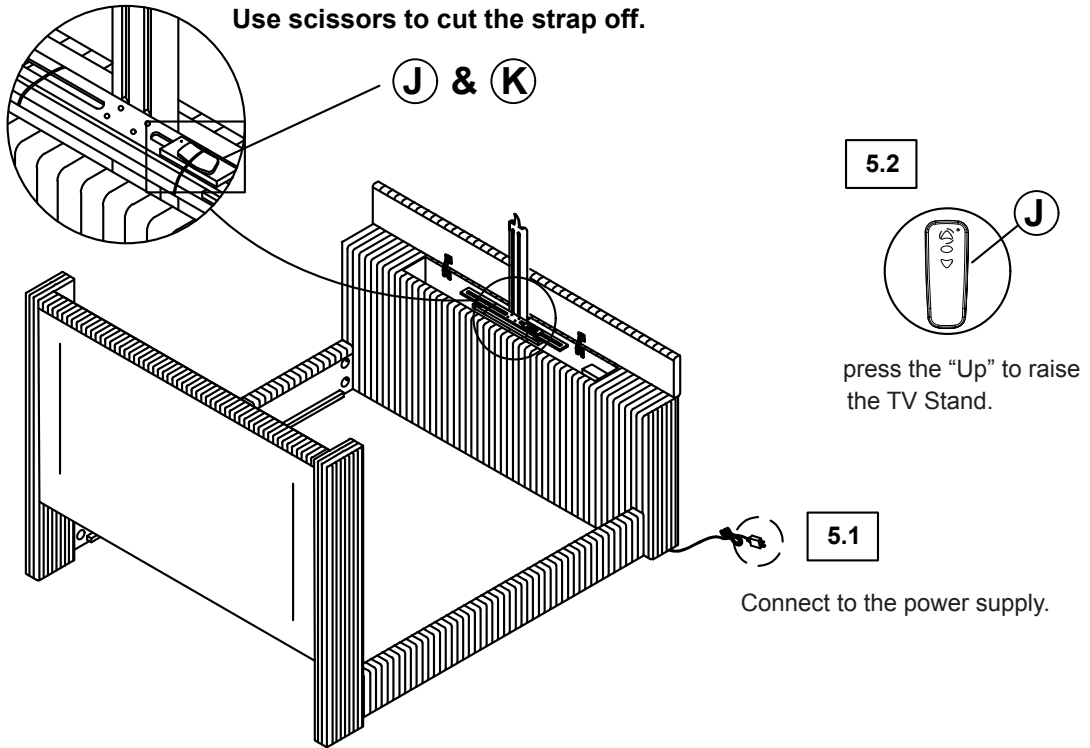


ITEM: 315945KE(B1-B3)

ASSEMBLY INSTRUCTIONS



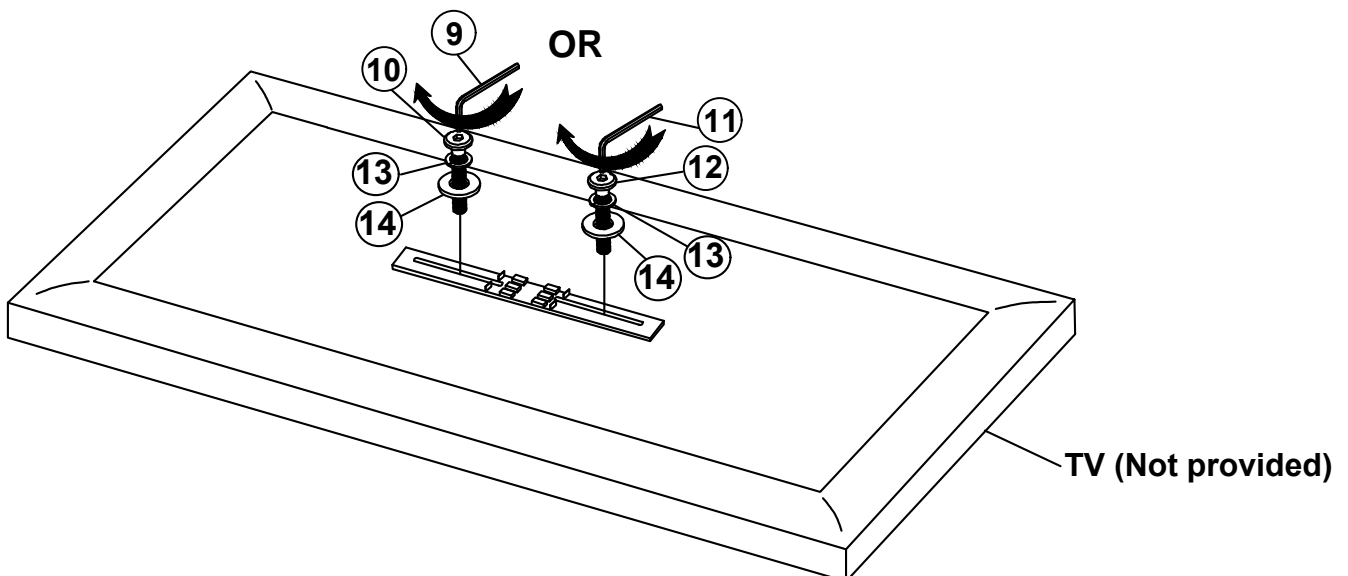
STEP 5



STEP 6

TV INSTALLATION

Pay Attention!
Suitable for TV 50 inches and below.

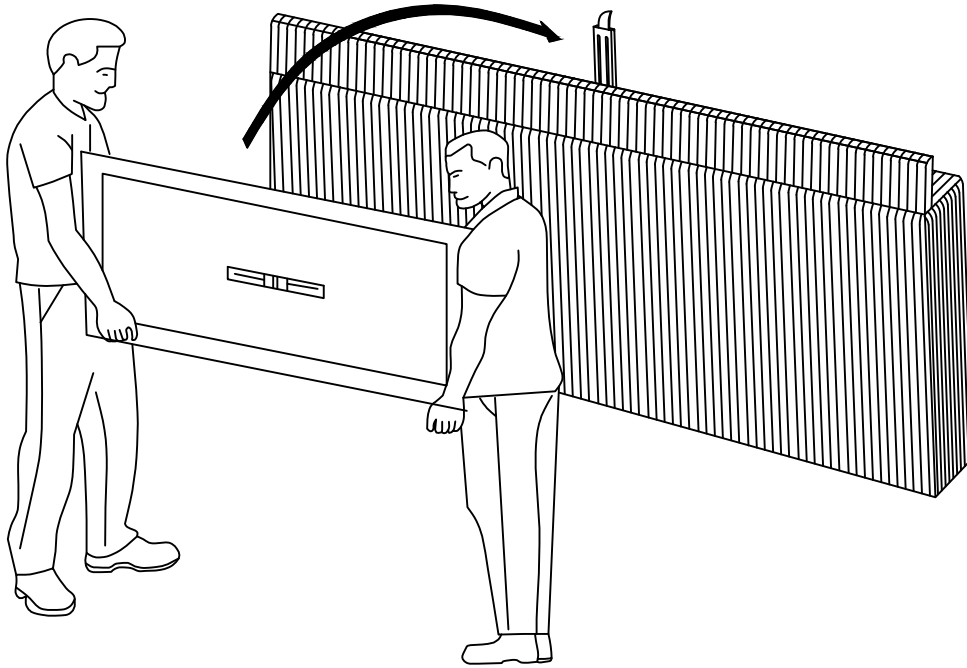


ITEM: **315945KE(B1-B3)**

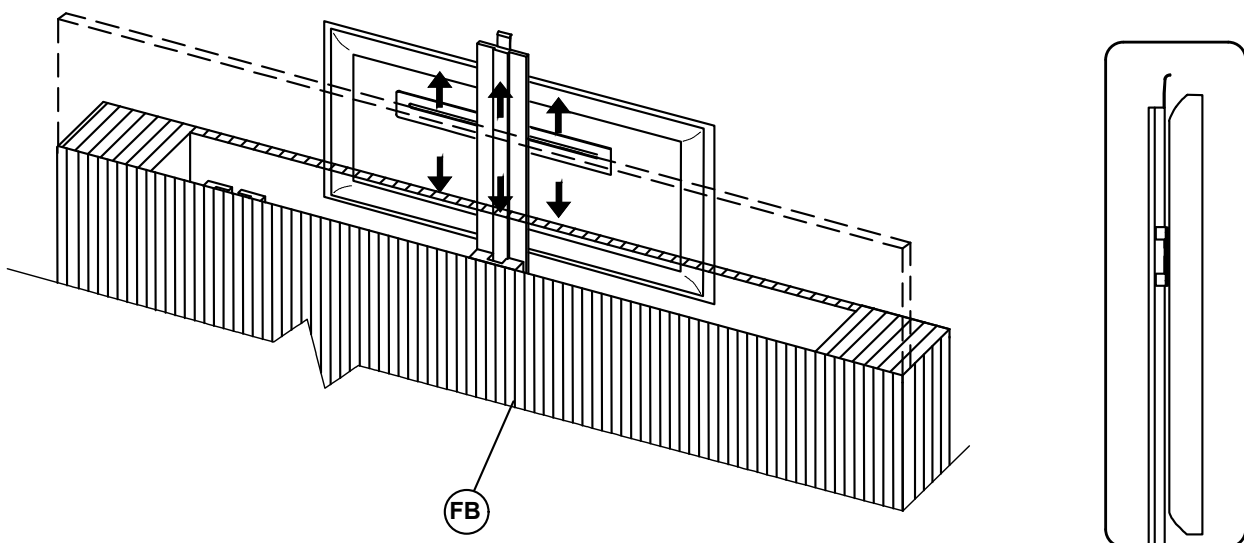
ASSEMBLY INSTRUCTIONS



STEP 7



STEP 8



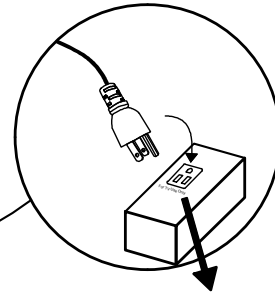
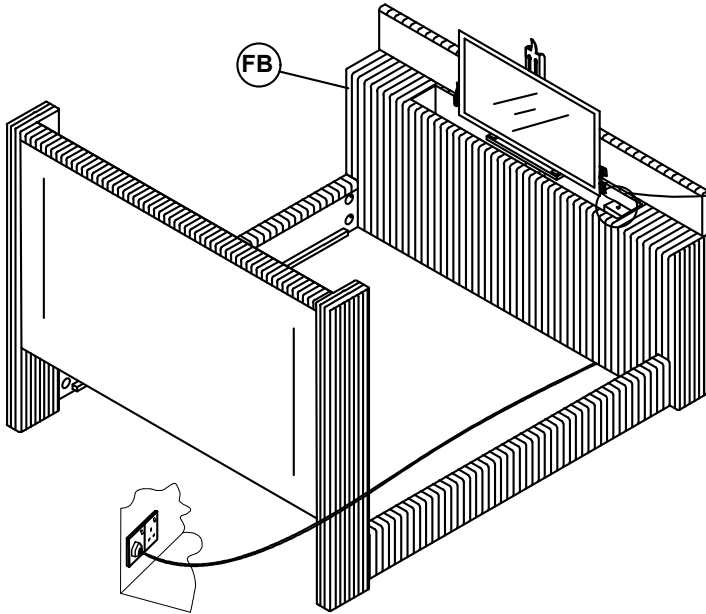
ITEM: 315945Q(B1-B3)

ASSEMBLY INSTRUCTIONS



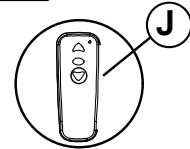
STEP 9

9.1 Connect to the TV power supply.



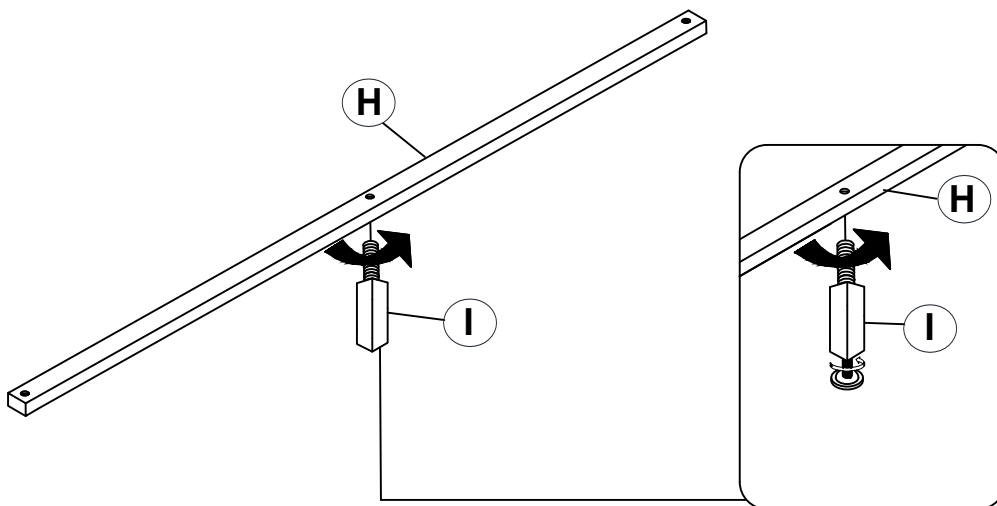
For TV Use Only

9.2



Press the "Down" to lower the TV Stand.

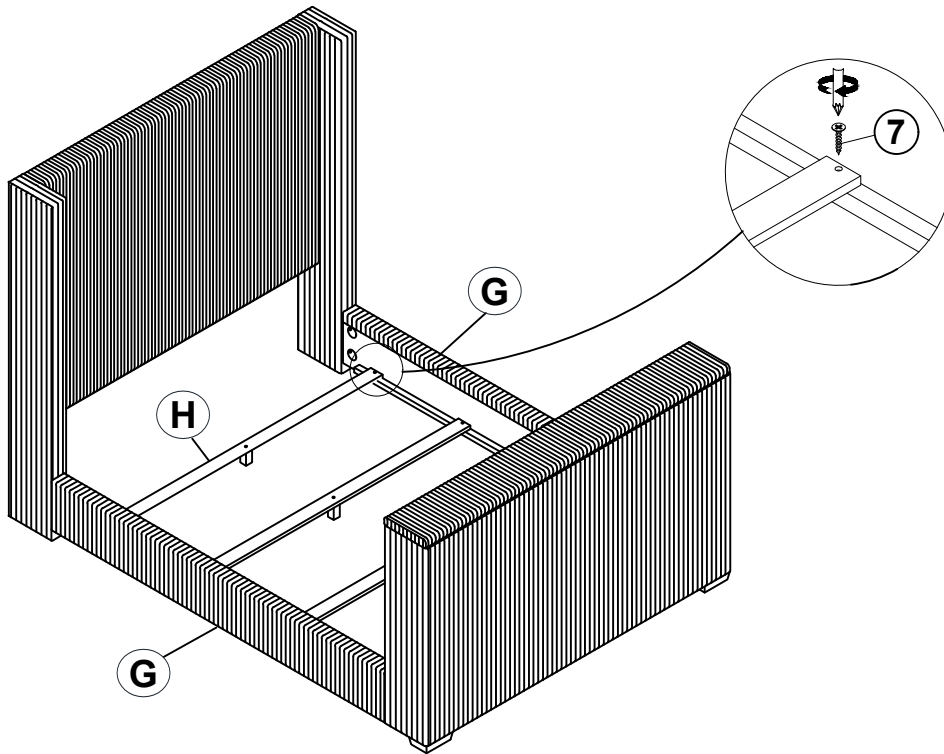
STEP 10



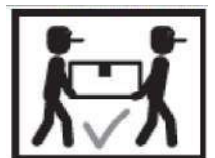
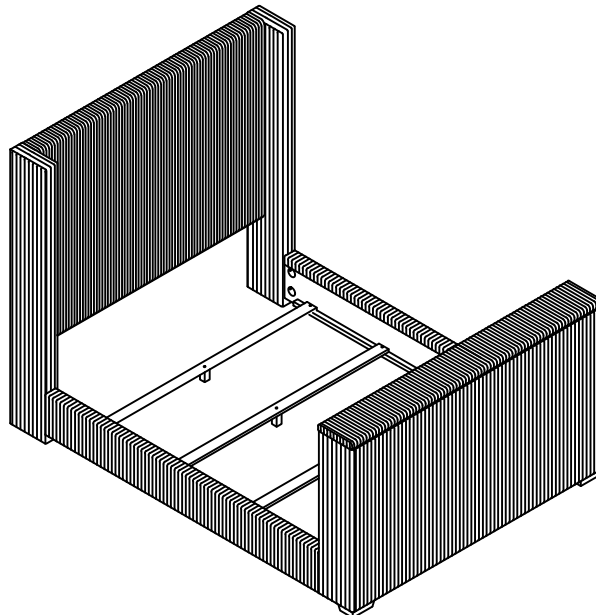
ITEM: **315945Q(B1-B3)**

ASSEMBLY INSTRUCTIONS

STEP 11



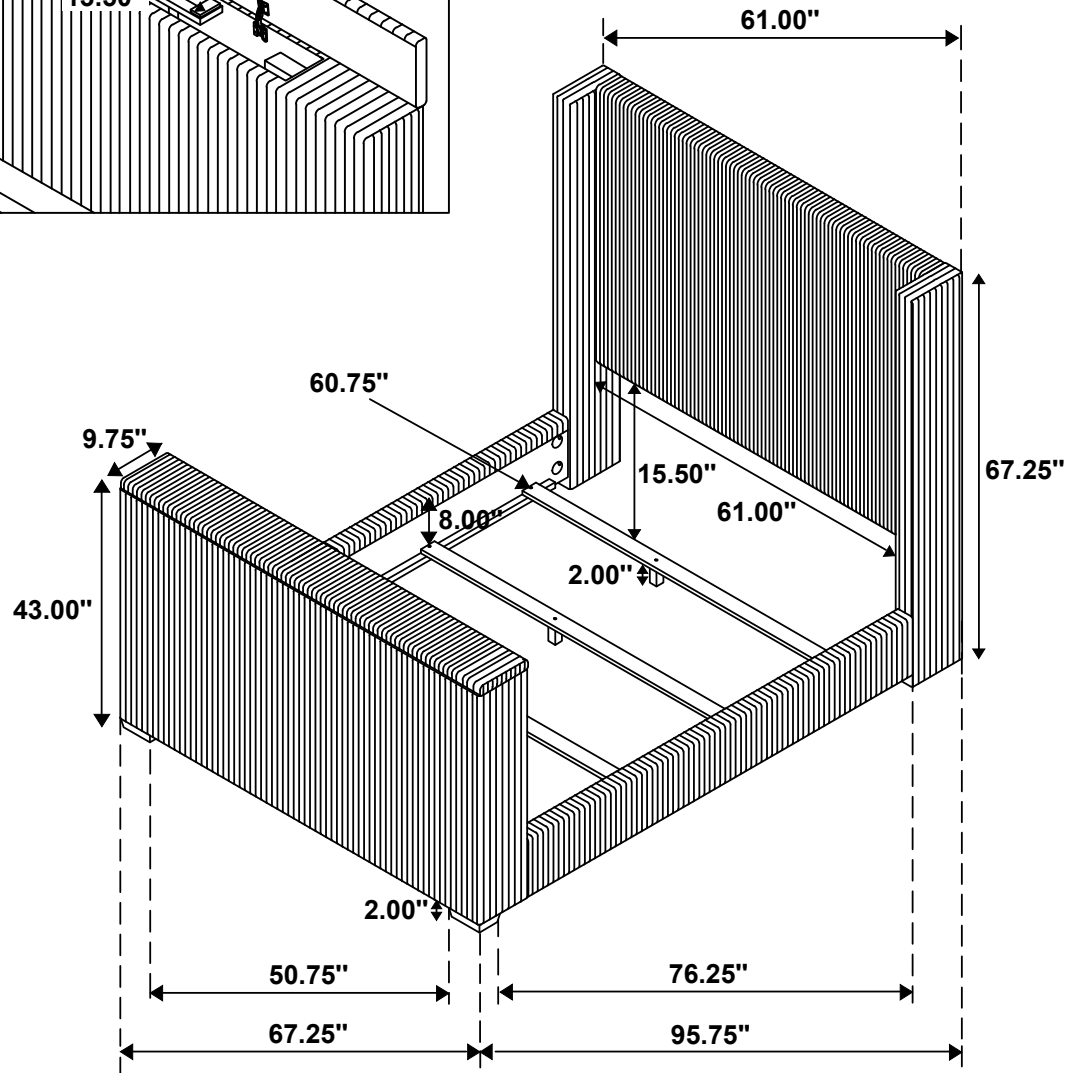
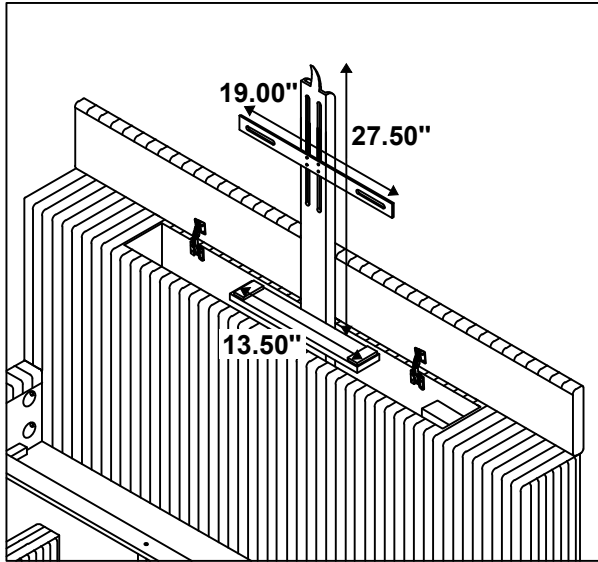
STEP 12
COMPLETE



ITEM: 315945Q(B1-B3)



Inner Size: 61.00"W X 81.00"D



Note : Dimension tolerance $\pm 5\%$