



*ASSEMBLY INSTRUCTIONS  
COASTER FINE FURNITURE*



*Fine Furniture for every stage of life*

**315914T(B1&B2)**  
**Twin Bed**

# ITEM: 315914T(B1&B2)



## ASSEMBLY INSTRUCTIONS

### ASSEMBLY TIPS:

1. Remove hardware from box and sort by size.
2. Please check to see that all hardware and parts are present prior to start of assembly.
3. Please follow attached instructions in the same sequence as numbered to assure fast & easy assembly.



### WARNING!

1. Don't attempt to repair or modify parts that are broken or defective. Please contact the store immediately.
2. This product is for home use only and not intended for commercial establishments.



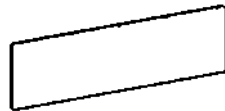
ASSEMBLY TIME

20 MINUTES

## PARTS IDENTIFICATION

### B1 (BOX 1)

A HEADBOARD  
PANEL



1PC

D RIGHT HEADBOARD  
LEG (WITH "R" LABEL)



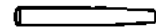
1PC

B FOOTBOARD  
PANEL



1PC

E LEFT FOOTBOARD  
LEG (WITH "L" LABEL)



1PC

C LEFT HEADBOARD  
LEG (WITH "L" LABEL)



1PC

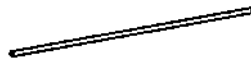
F RIGHT FOOTBOARD  
LEG (WITH "R" LABEL)



1PC

### B2 (BOX 1)

G HEADBOARD TOP  
RAIL



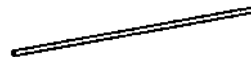
2PCS

J ROLL SLAT  
(6PCS)



2SETS

H FOOTBOARD  
BOTTOM RAIL



1PC

I BED RAIL



2PCS

### NOTE:

Phillips head screw driver is required in the assembly process; however, manufacturer does not provided this item.

# ITEM: 315914T(B1&B2)



## ASSEMBLY INSTRUCTIONS

### ASSEMBLY TIPS:

1. Remove hardware from box and sort by size.
2. Please check to see that all hardware and parts are present prior to start of assembly.
3. Please follow attached instructions in the same sequence as numbered to assure fast & easy assembly.














### WARNING!

1. Don't attempt to repair or modify parts that are broken or defective. Please contact the store immediately.
2. This product is for home use only and not intended for commercial establishments.

## HARDWARE IDENTIFICATION

### Z-B2 (BOX 2) - HARDWARE PACK IS LOCATED IN 315914T(B2)

1	<b>SHORT BOLT</b> (M6 x 30mm - BLK)		13PCS	7	<b>FLAT HEAD SCREW</b> (M4 x 25mm - BLK)		8PCS
2	<b>LONG BOLT</b> (M6 x 40mm - BLK)		6PCS	8	<b>ALLEN WRENCH</b> (M4 x 100mm - RBW)		1PC
3	<b>THREADED BOLT</b> (M6 x 60mm - RBW)		8PCS	9	<b>FLAT WASHER</b> (1/4" x 19 Ø - BLK)		13PCS
4	<b>HEX NUT</b> (M6 - RBW)		8PCS	10	<b>LOCK WASHER</b> (1/4" x 12 Ø - BLK)		13PCS
5	<b>HALF ROUND NUT</b> (Ø7.5mm - RBW)		8PCS	11	<b>WRENCH</b> (M6 x 10mm - RBW)		1PC
6	<b>U-SQUARE WASHER</b> (M8 x16 x 25mm - RBW)		8PCS				

### NOTE:

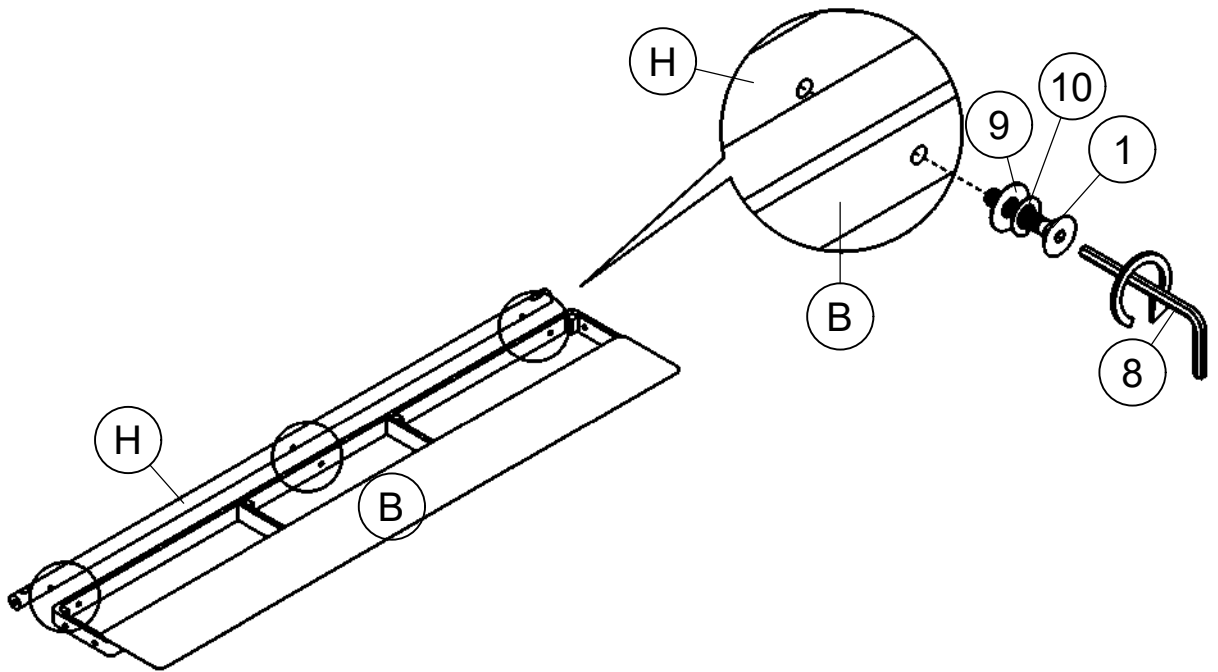
Phillips head screw driver is required in the assembly process; however, manufacturer does not provided this item.

# ITEM: 315914T(B1&B2)

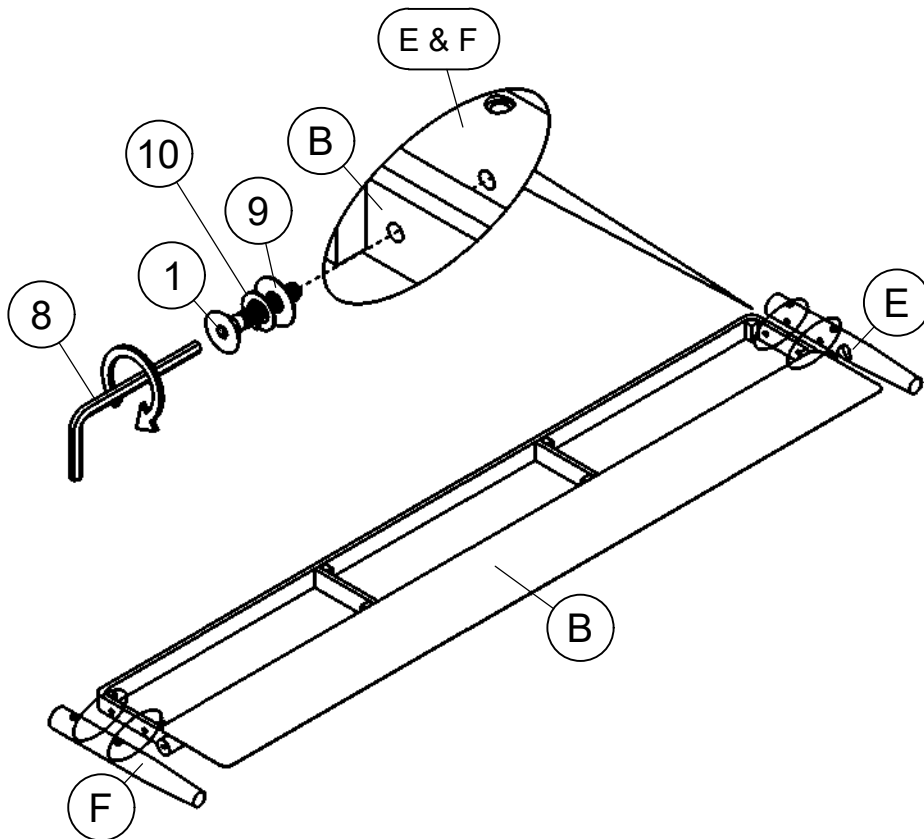
## ASSEMBLY INSTRUCTIONS



### STEP 1



### STEP 2

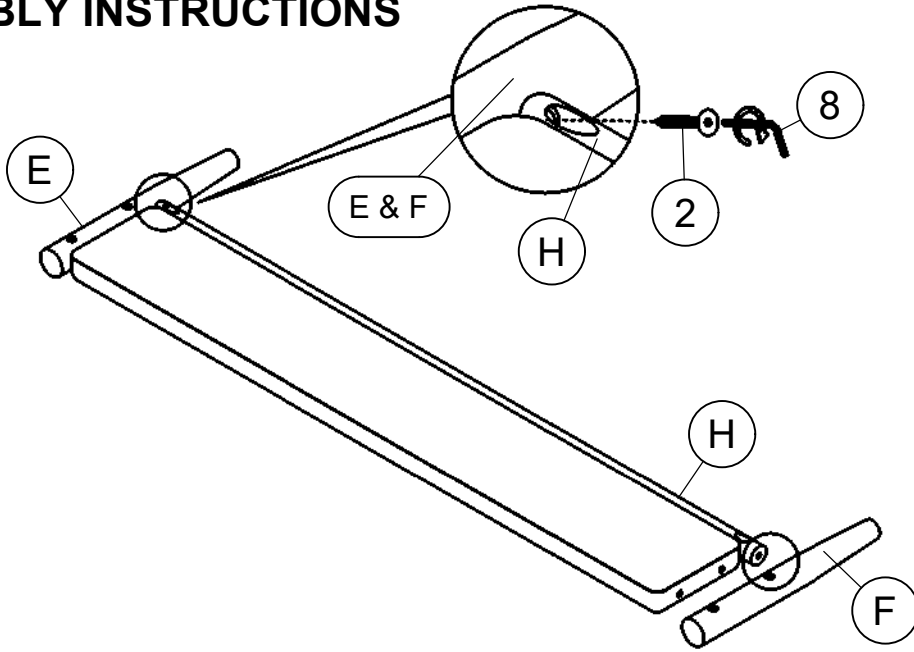


# ITEM: 315914T(B1&B2)

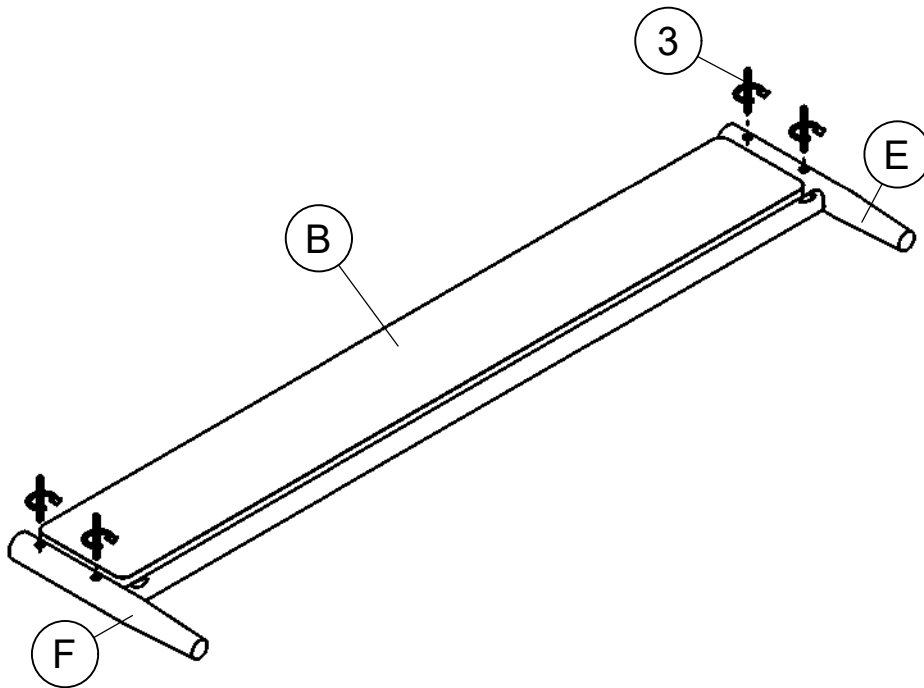
## ASSEMBLY INSTRUCTIONS



### STEP 3



### STEP 4

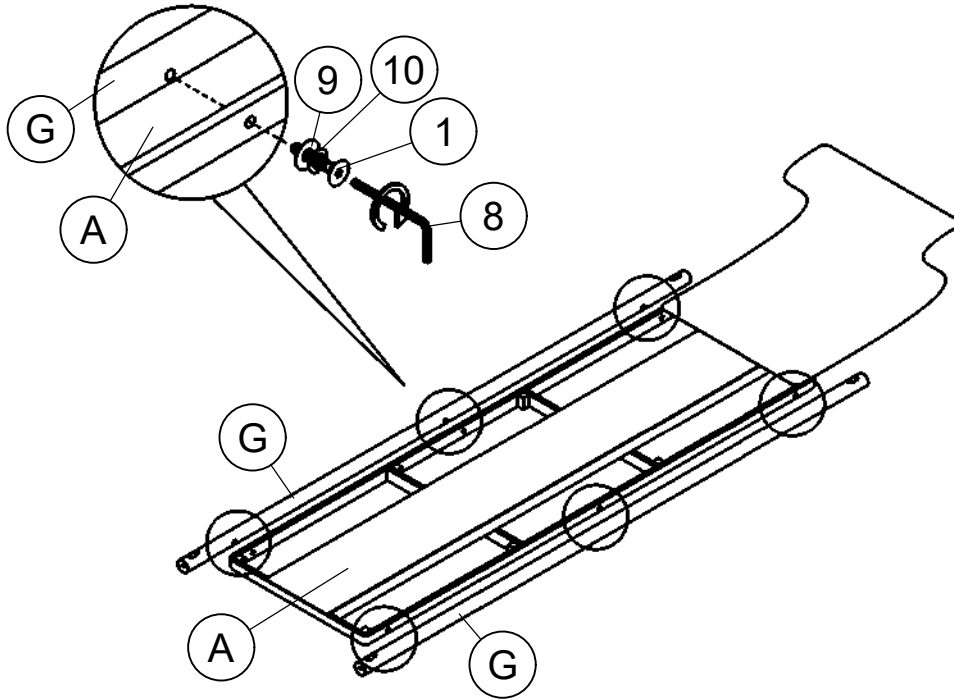


# ITEM: 315914T(B1&B2)

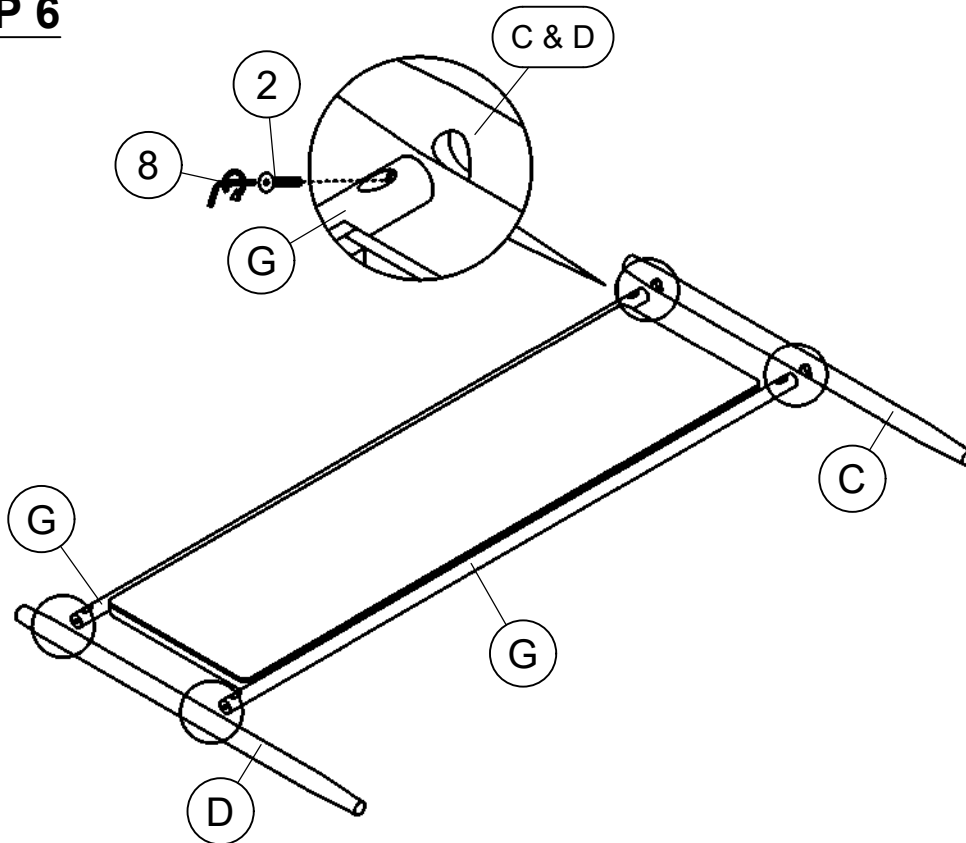
## ASSEMBLY INSTRUCTIONS



### STEP 5



### STEP 6

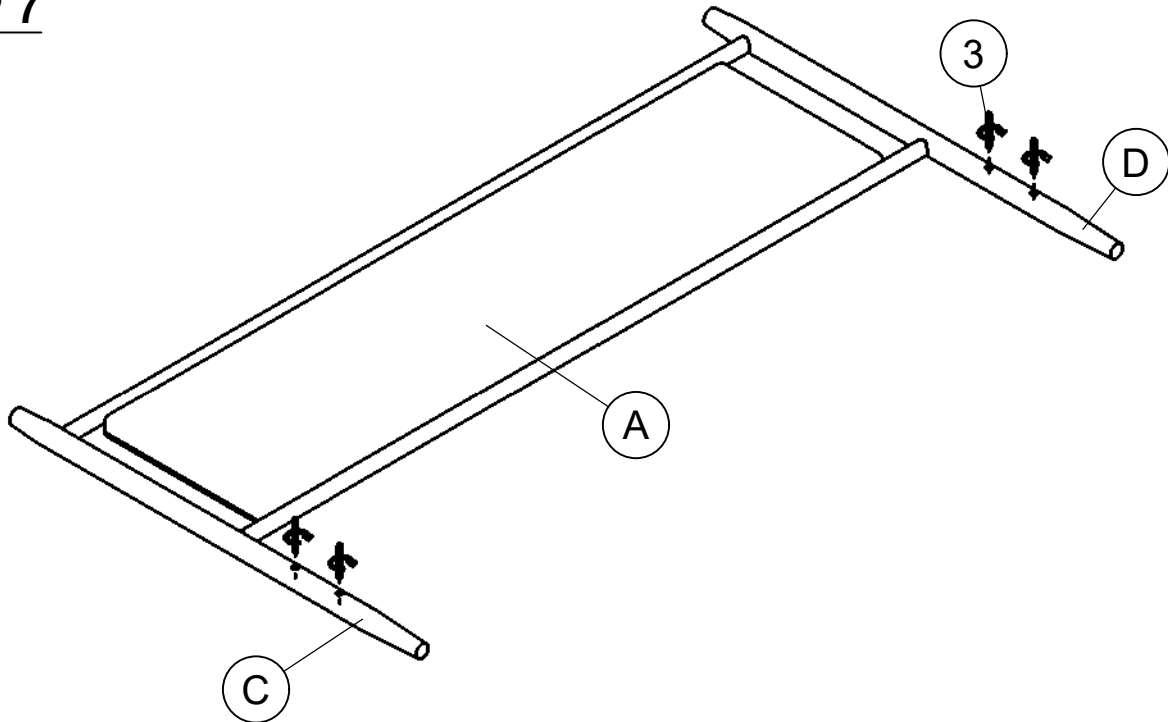


# ITEM: 315914T(B1&B2)

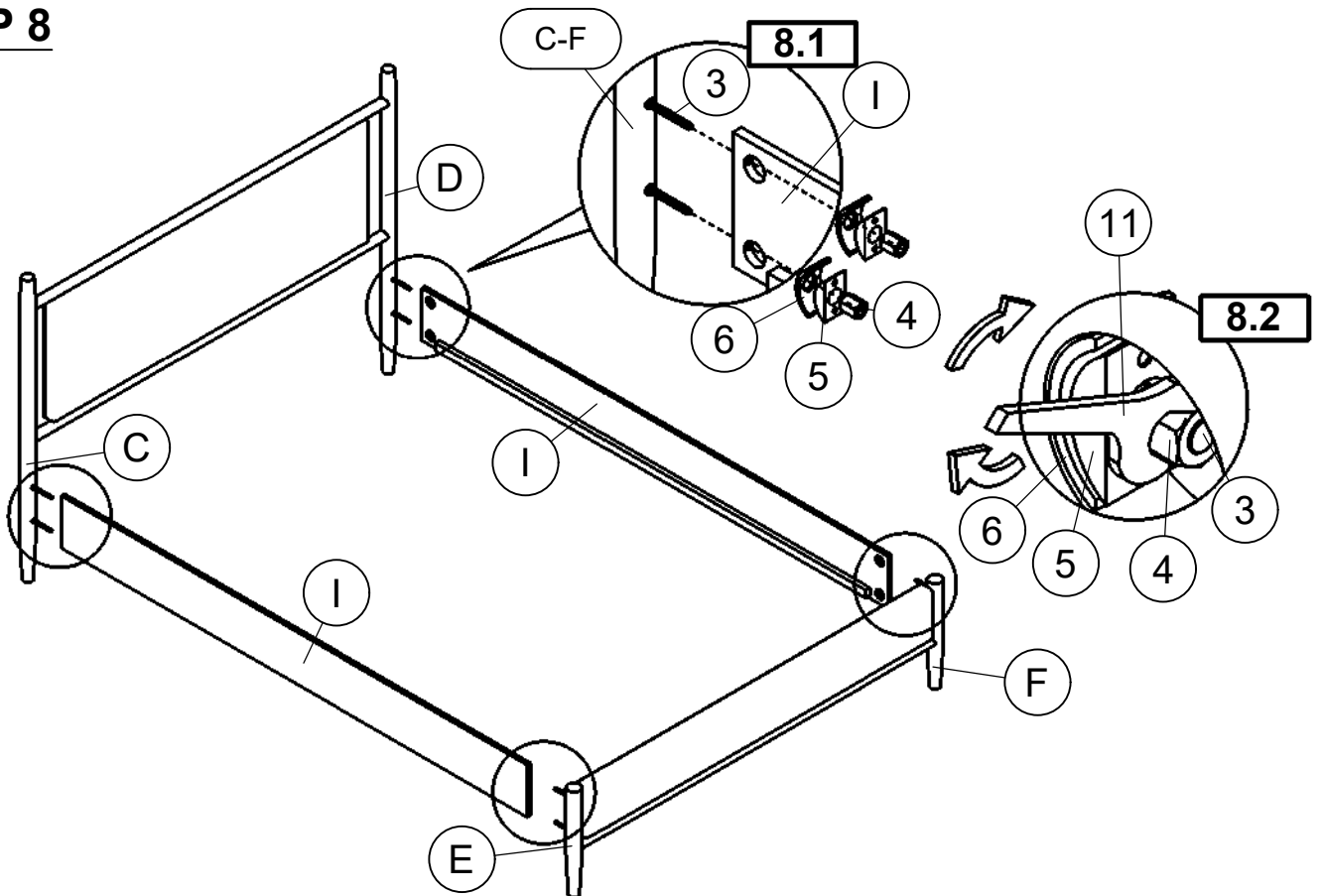
## ASSEMBLY INSTRUCTIONS



### STEP 7



### STEP 8

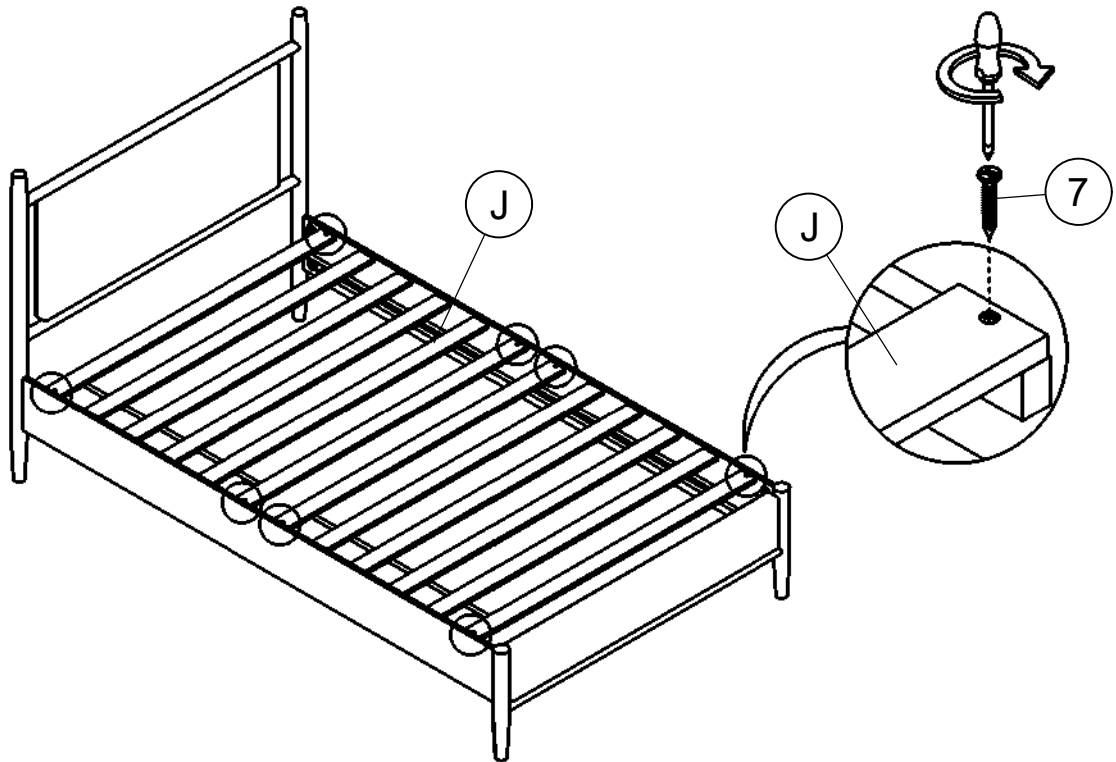


ITEM: **315914T(B1&B2)**

**ASSEMBLY INSTRUCTIONS**

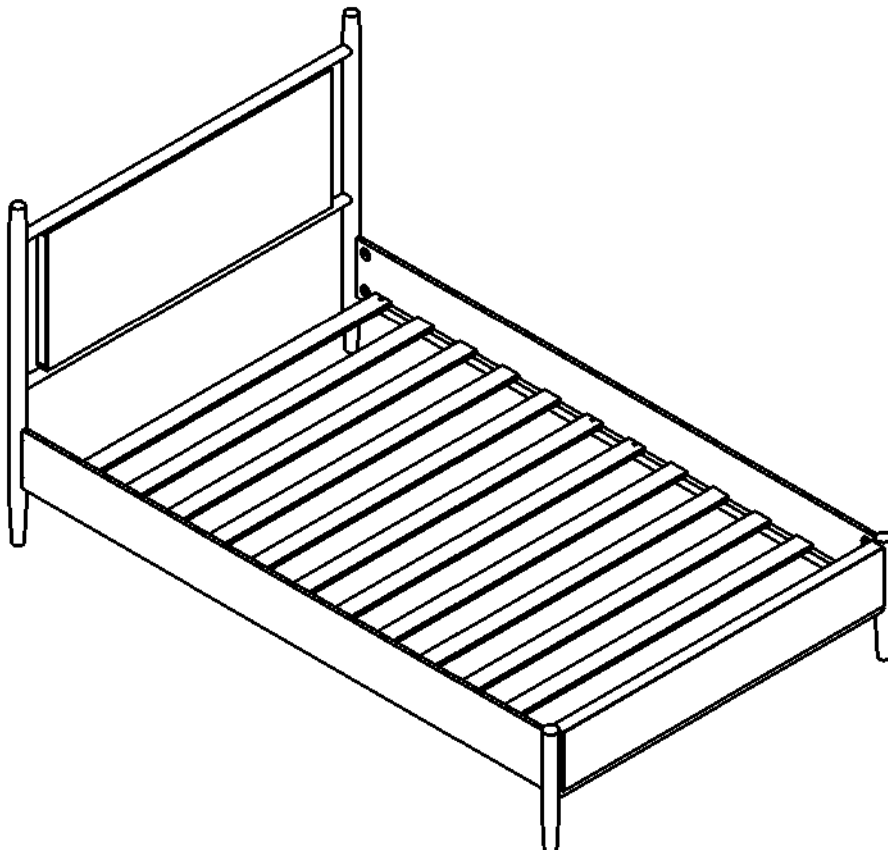


**STEP 9**



**STEP 10**

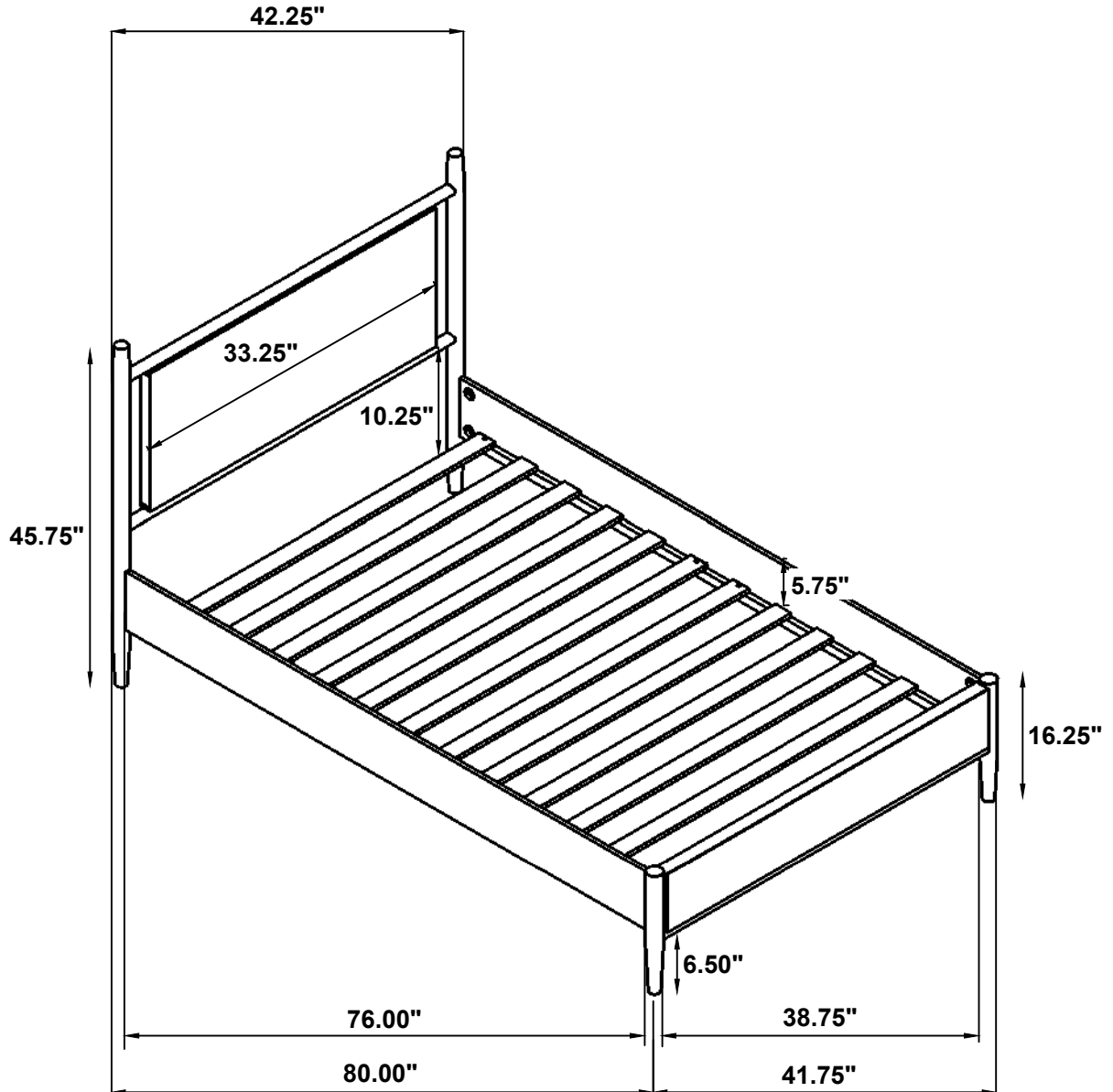
**COMPLETE**



ITEM: **315914T(B1&B2)**



Inner size: 54.50"W X 76.00"D



Note : Dimension tolerance  $\pm 5\%$