



ASSEMBLY INSTRUCTIONS COASTER FINE FURNITURE



Fine Furniture for every stage of life

315914KE(B1&B2)
Eastern King Bed

ITEM: 315914KE(B1&B2)



ASSEMBLY INSTRUCTIONS

ASSEMBLY TIPS:

1. Remove hardware from box and sort by size.
2. Please check to see that all hardware and parts are present prior to start of assembly.
3. Please follow attached instructions in the same sequence as numbered to assure fast & easy assembly.



WARNING!

1. Don't attempt to repair or modify parts that are broken or defective. Please contact the store immediately.
2. This product is for home use only and not intended for commercial establishments.



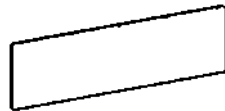
ASSEMBLY TIME

20 MINUTES

PARTS IDENTIFICATION

B1 (BOX 1)

A HEADBOARD PANEL



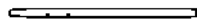
1PC

B FOOTBOARD PANEL



1PC

C LEFT HEADBOARD LEG (WITH "L" LABEL)



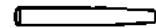
1PC

D RIGHT HEADBOARD LEG (WITH "R" LABEL)



1PC

E LEFT FOOTBOARD LEG (WITH "L" LABEL)



1PC

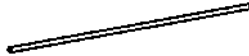
F RIGHT FOOTBOARD LEG (WITH "R" LABEL)



1PC

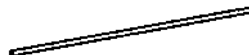
B2 (BOX 1)

G HEADBOARD TOP RAIL



2PCS

H FOOTBOARD BOTTOM RAIL



1PC

I BED RAIL



2PCS

J ROLL SLAT (6PCS)



2SETS

K CENTER RAIL



1PC

L CENTER RAIL SUPPORT WITH LEVELER



8PCS

NOTE:

Phillips head screw driver is required in the assembly process; however, manufacturer does not provided this item.

ITEM: 315914KE(B1&B2)

ASSEMBLY INSTRUCTIONS

ASSEMBLY TIPS:

1. Remove hardware from box and sort by size.
2. Please check to see that all hardware and parts are present prior to start of assembly.
3. Please follow attached instructions in the same sequence as numbered to assure fast & easy assembly.














WARNING!

1. Don't attempt to repair or modify parts that are broken or defective. Please contact the store immediately.
2. This product is for home use only and not intended for commercial establishments.

HARDWARE IDENTIFICATION

Z-B2 (BOX 2) - HARDWARE PACK IS LOCATED IN 315914KE(B2)

1	SHORT BOLT (M6 x 30mm - BLK)		22PCS	7	FLAT HEAD SCREW (M4 x 25mm - BLK)		8PCS
2	LONG BOLT (M6 x 40mm - BLK)		6PCS	8	ALLEN WRENCH (M4 x 100mm - RBW)		1PC
3	THREADED BOLT (M6 x 60mm - RBW)		8PCS	9	FLAT WASHER (1/4" x 19 Ø - BLK)		22PCS
4	HEX NUT (M6 - RBW)		8PCS	10	LOCK WASHER (1/4" x 12 Ø - BLK)		22PCS
5	HALF ROUND NUT (Ø7.5mm - RBW)		8PCS	11	WRENCH (M6 x 10mm - RBW)		1PC
6	U-SQUARE WASHER (M8 x16 x 25mm - RBW)		8PCS				

NOTE:

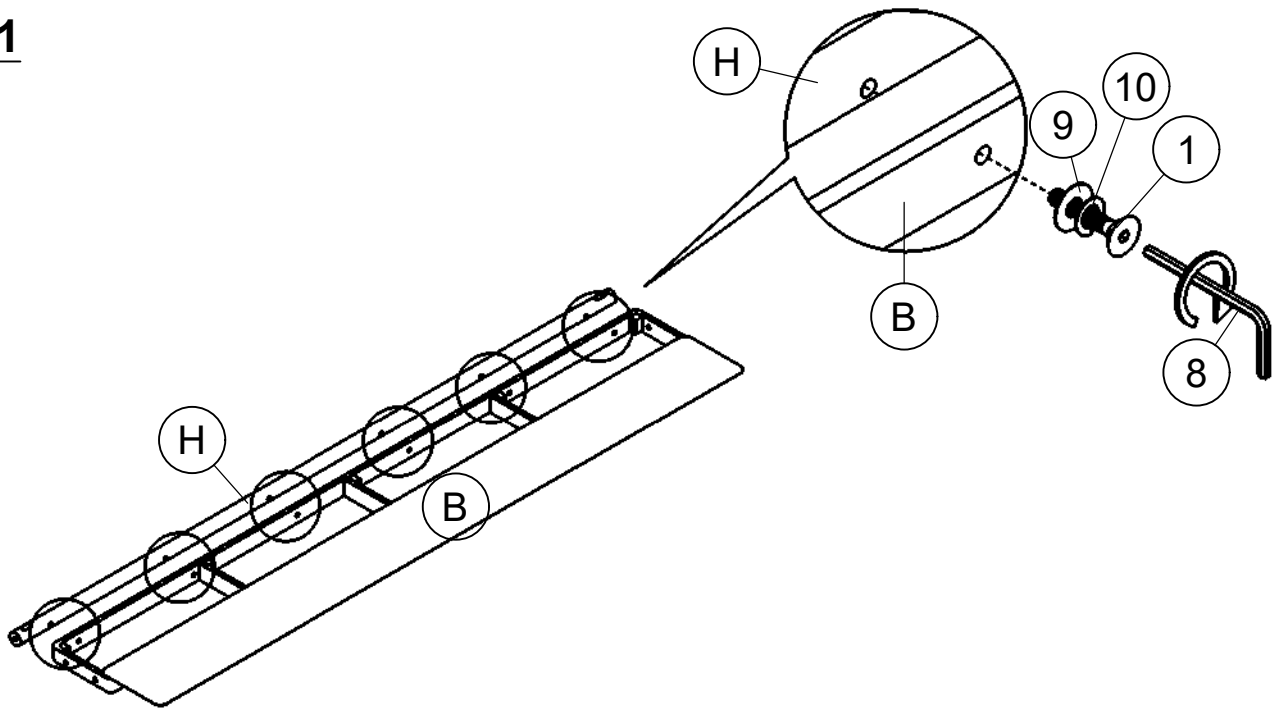
Phillips head screw driver is required in the assembly process; however, manufacturer does not provided this item.

ITEM: 315914KE(B1&B2)

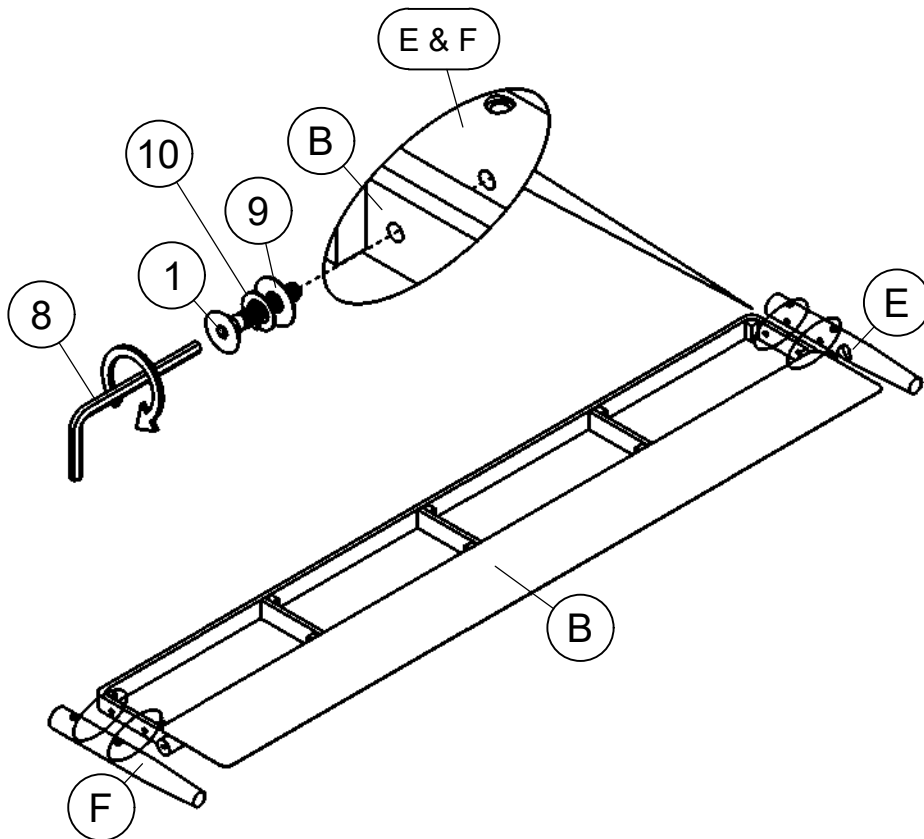


ASSEMBLY INSTRUCTIONS

STEP 1



STEP 2

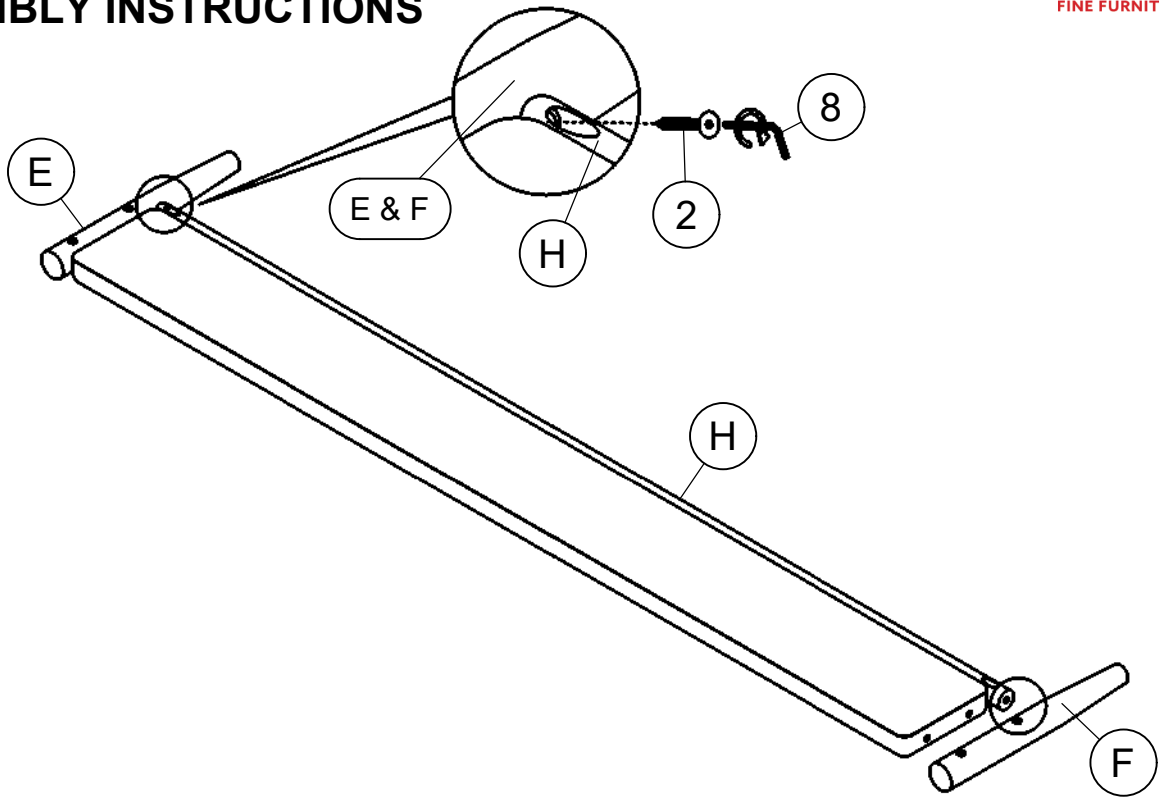


ITEM: 315914KE(B1&B2)

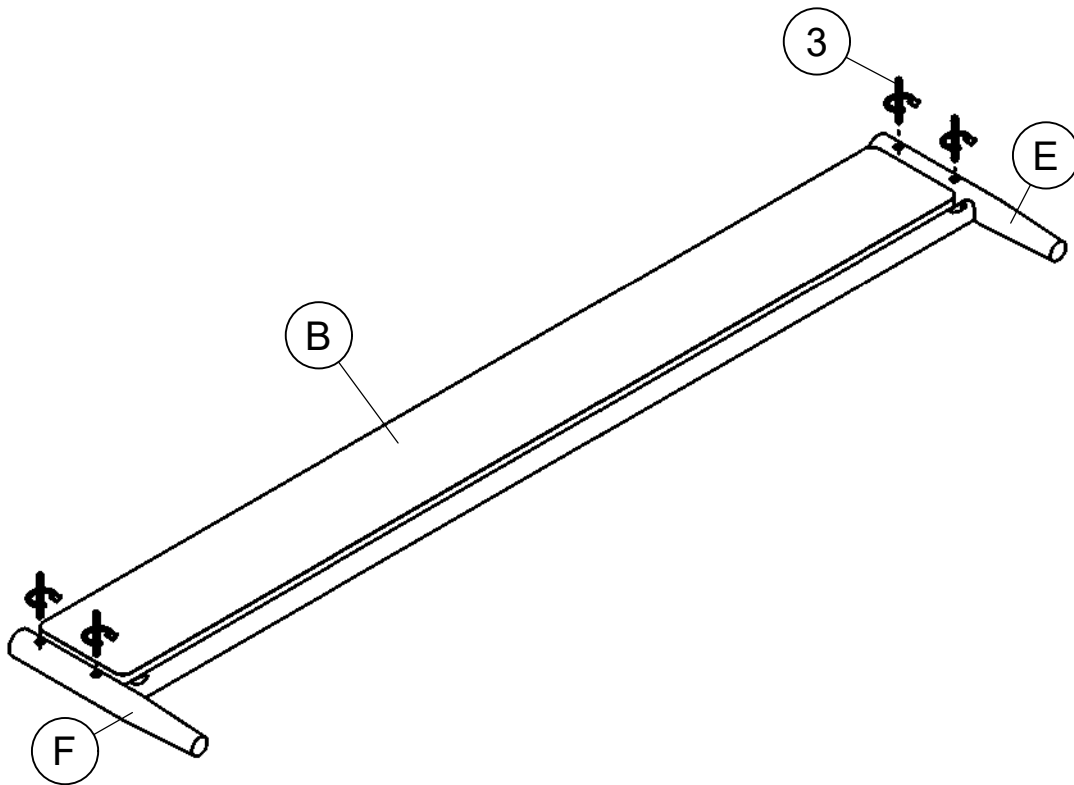
ASSEMBLY INSTRUCTIONS



STEP 3



STEP 4

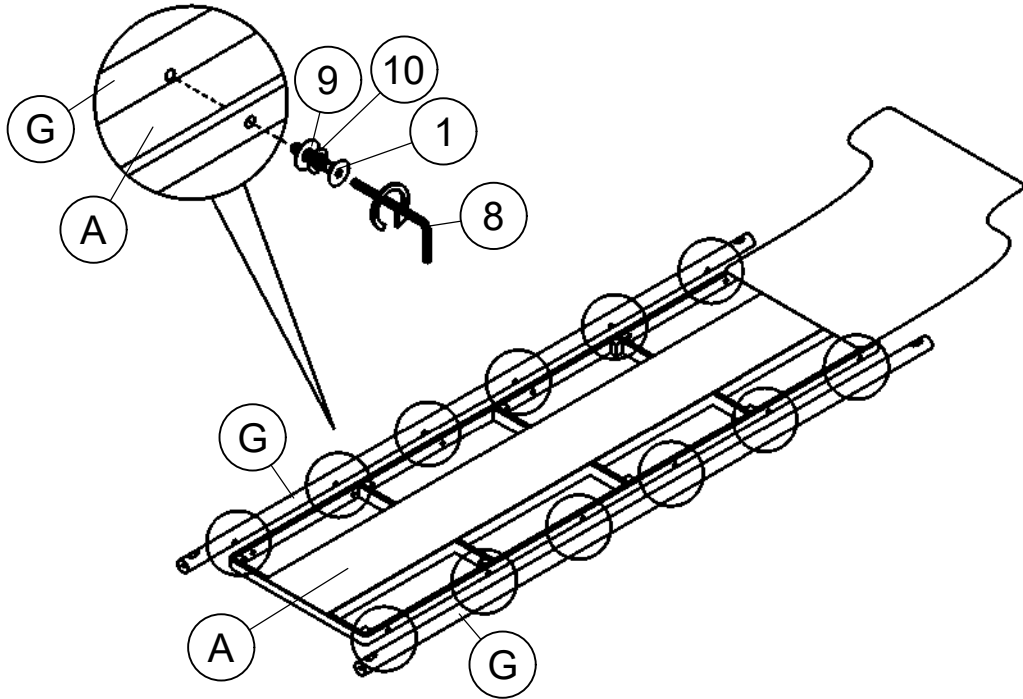


ITEM: 315914KE(B1&B2)

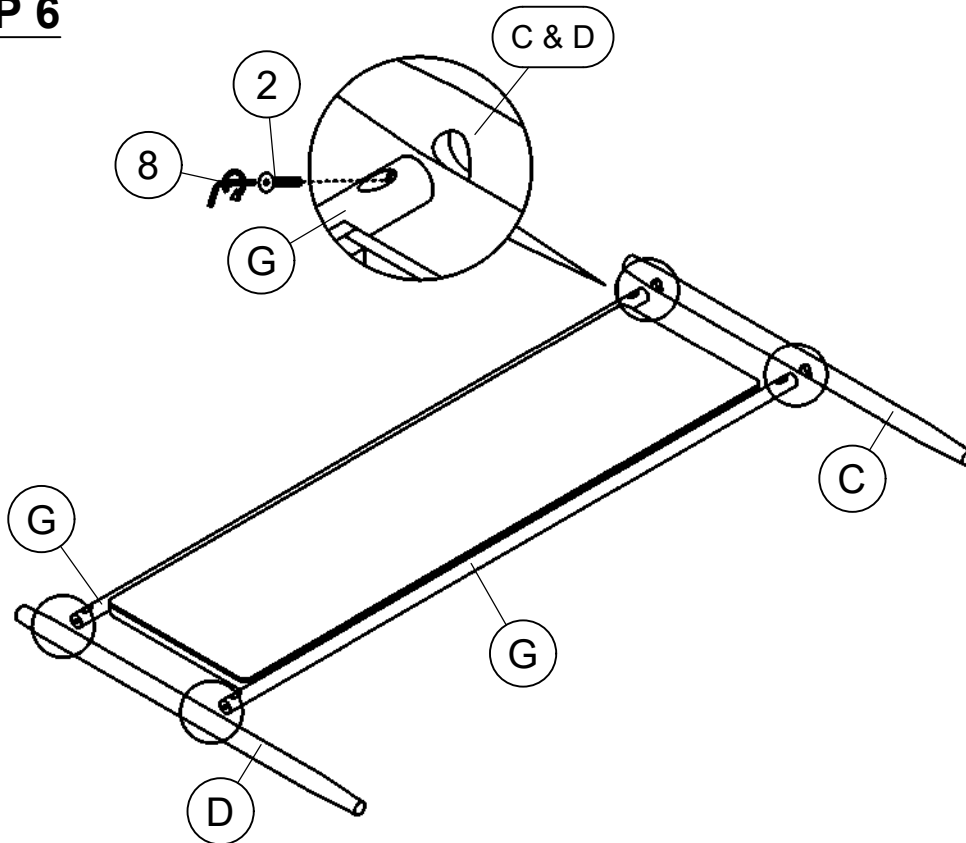


ASSEMBLY INSTRUCTIONS

STEP 5



STEP 6

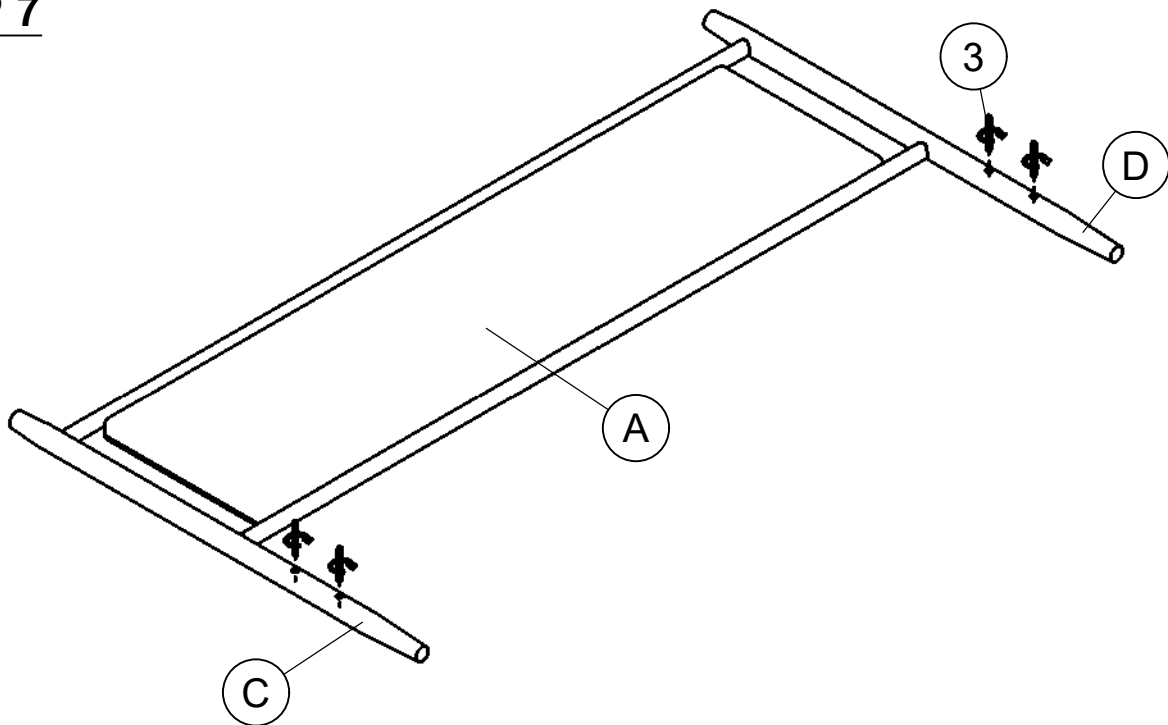


ITEM: 315914KE(B1&B2)

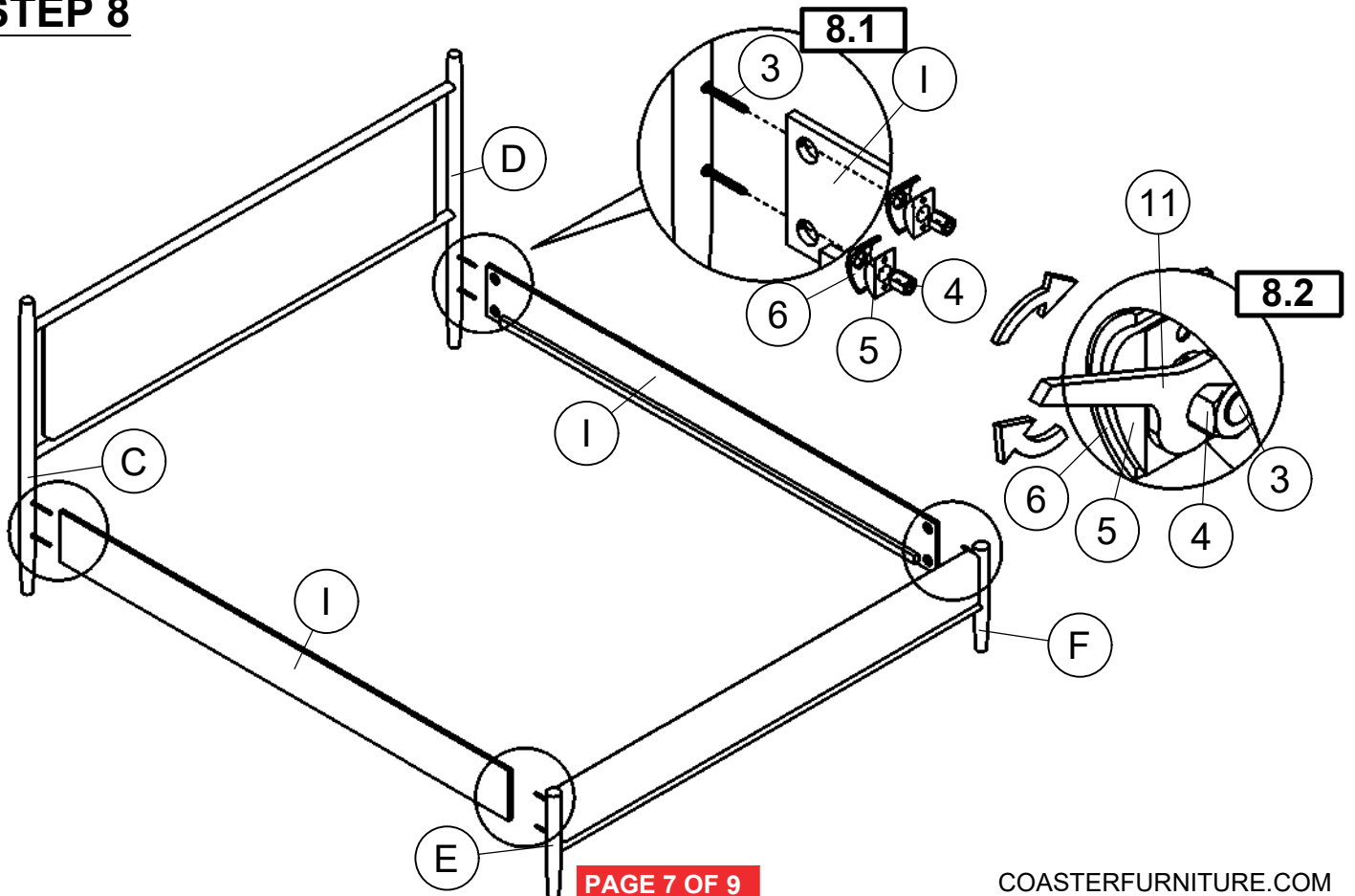


ASSEMBLY INSTRUCTIONS

STEP 7



STEP 8

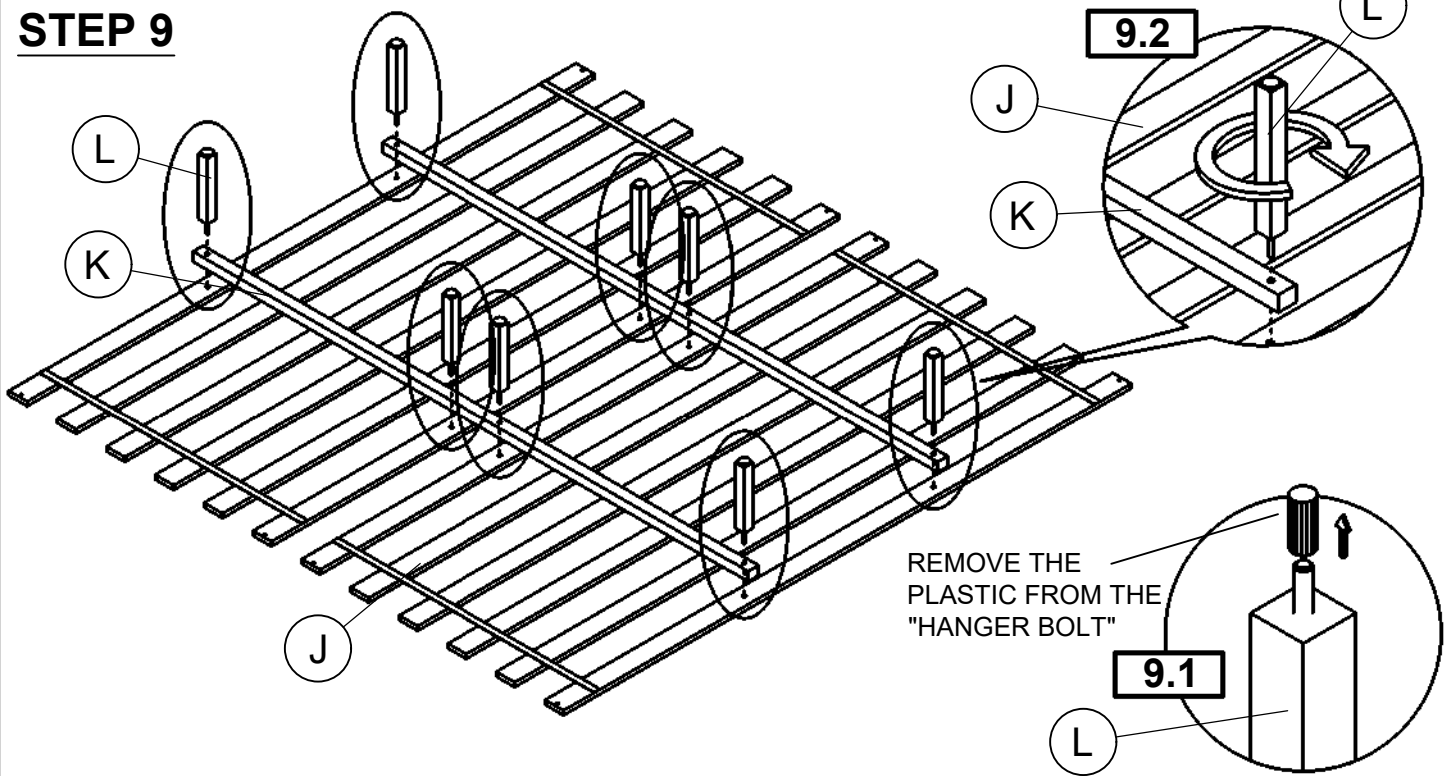


ITEM: 315914KE(B1&B2)

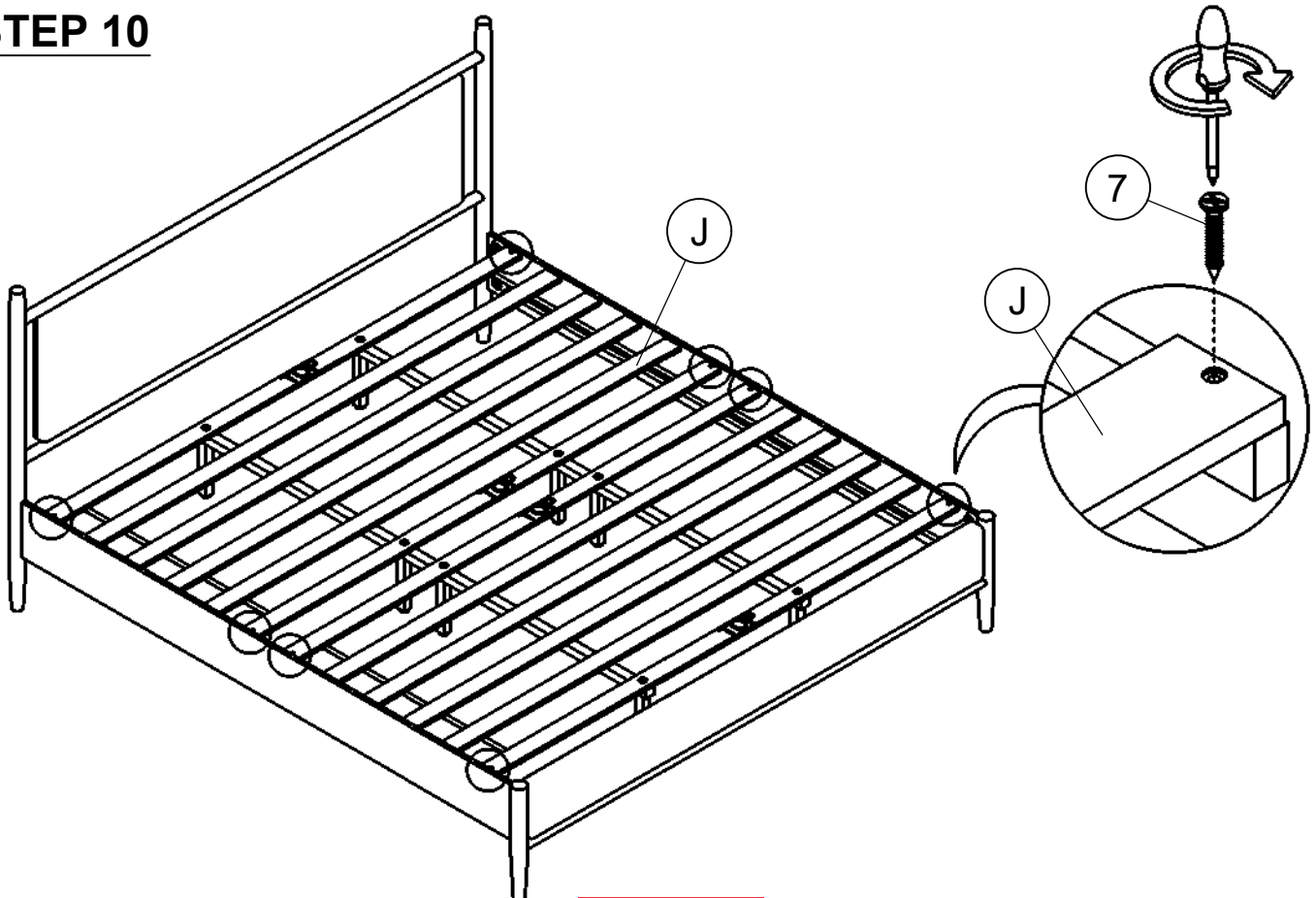


ASSEMBLY INSTRUCTIONS

STEP 9



STEP 10



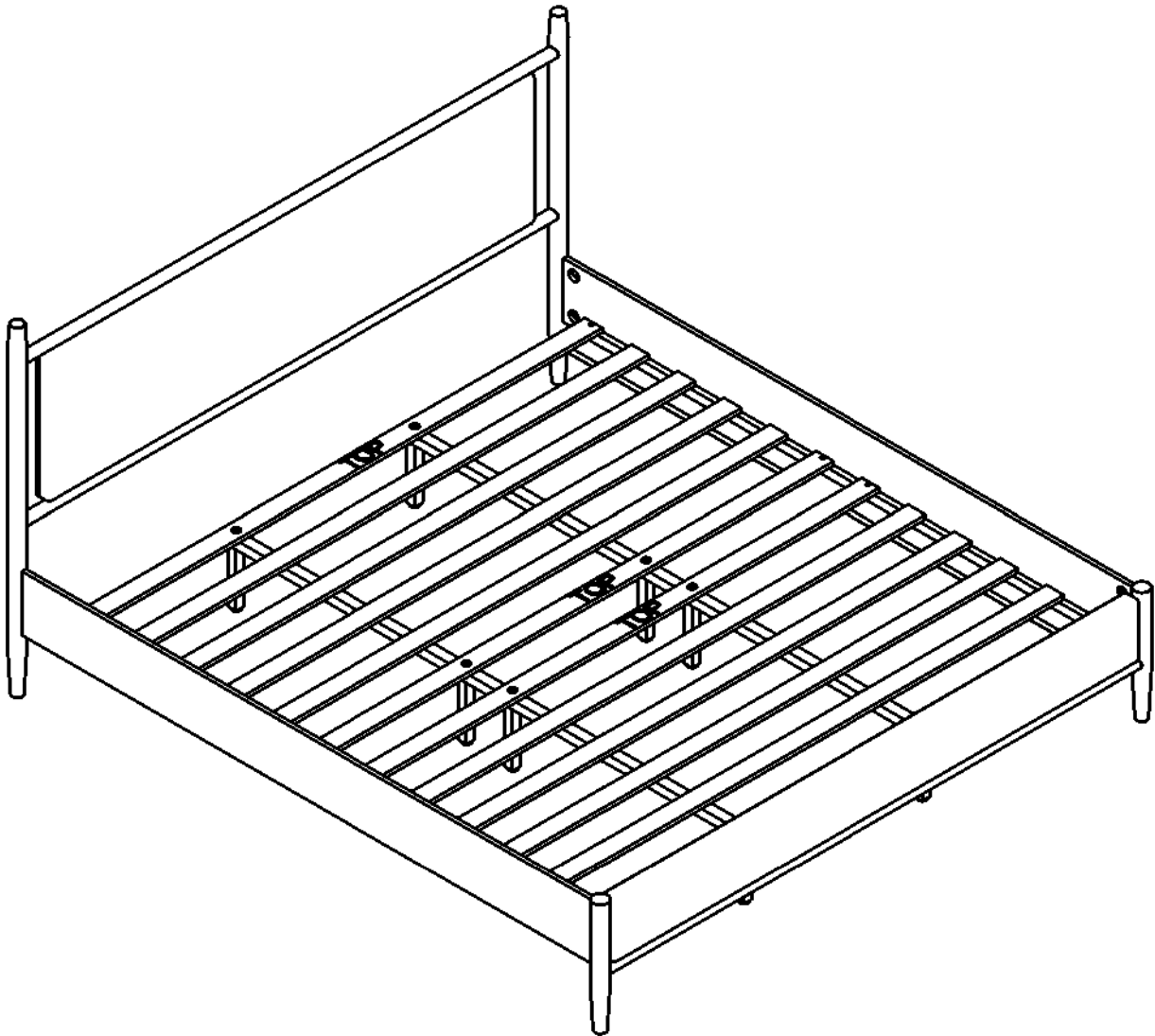
ITEM: **315914KE(B1&B2)**



ASSEMBLY INSTRUCTIONS

STEP 11

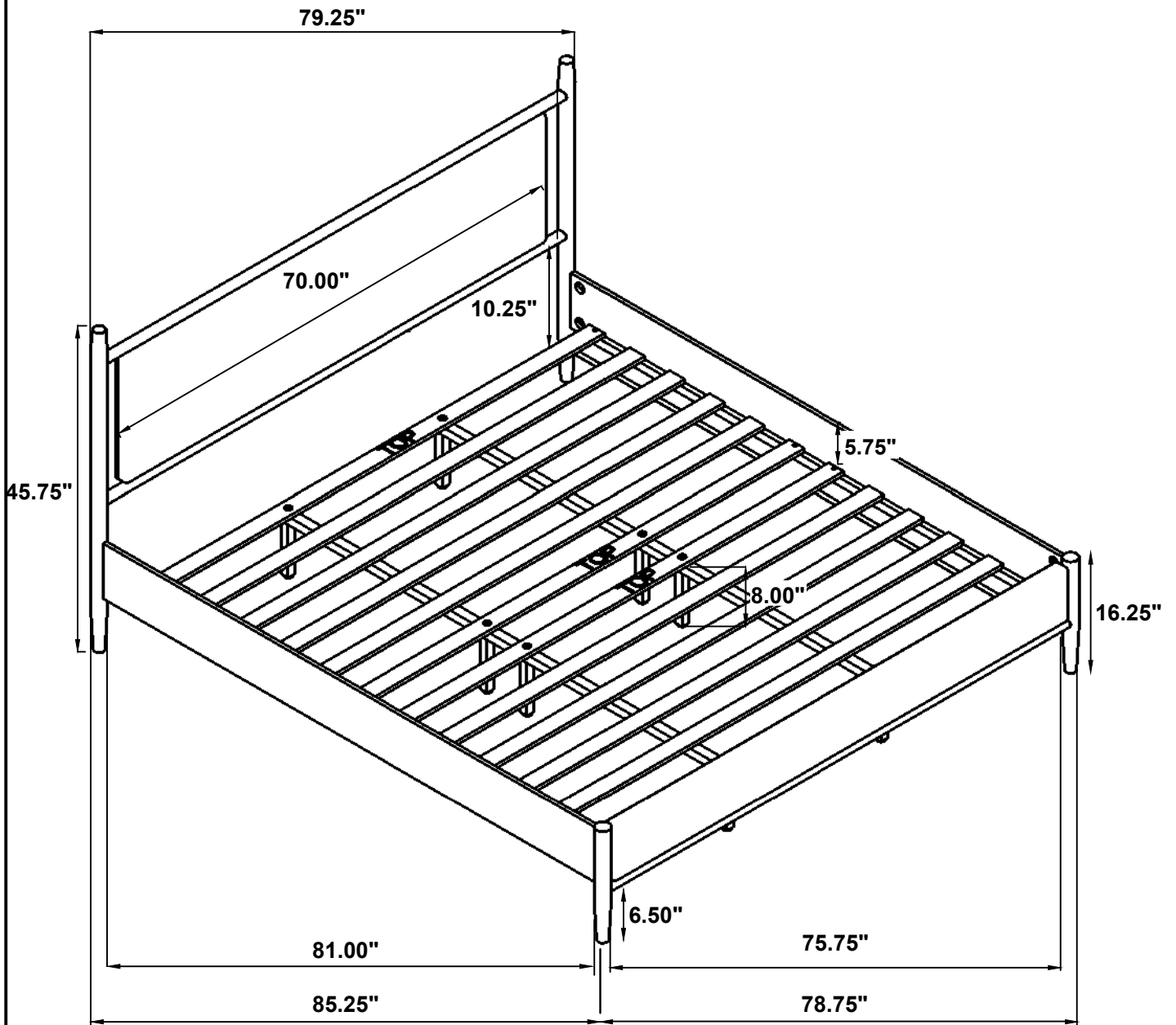
COMPLETE



ITEM: **315914KE(B1&B2)**



Inner size: 76.50"W X 81.00"D



Note : Dimension tolerance $\pm 5\%$