

**ASSEMBLY INSTRUCTIONS**  
**COASTER FINE FURNITURE**



*Fine Furniture for every stage of life*

**215791Q(B1-B3)**  
***Queen Bed***

# ITEM: 215791Q(B1-B3)



## ASSEMBLY INSTRUCTIONS

### ASSEMBLY TIPS:

1. Remove hardware from box and sort by size.
2. Please check to see that all hardware and parts are present prior to start of assembly.
3. Please follow attached instructions in the same sequence as numbered to assure fast & easy assembly.



### WARNING!

1. Don't attempt to repair or modify parts that are broken or defective. Please contact the store immediately.
2. This product is for home use only and not intended for commercial establishments.



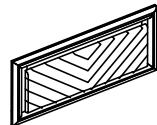
ASSEMBLY TIME

25 MINUTES

## PARTS IDENTIFICATION

### B1 (BOX 1)

A HEADBOARD PANEL



1PC

B LEFT HEADBOARD LEG (WITH "L" LABEL)



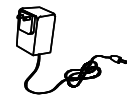
1PC

C RIGHT HEADBOARD LEG (WITH "R" LABEL)



1PC

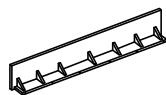
D ADAPTER



1PC

### B2 (BOX 2)

E FOOTBOARD



1PC

F BED SLAT



4PCS

G BED SLAT SUPPORT WITH LEVELER



4PCS

H FOOTBOARD LEG



2PCS

### B3 (BOX 3)

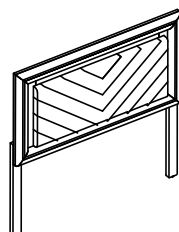
I BED RAIL



2PCS

HB

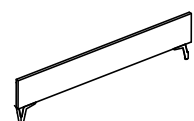
215791Q(B1)  
FROM BOX 1  
HEADBOARD  
COMPLETE



1PC

FB

215791Q(B2)  
FROM BOX 2  
FOOTBOARD  
COMPLETE



1PC

# ITEM: 215791Q(B1-B3)



## ASSEMBLY INSTRUCTIONS

### ASSEMBLY TIPS:

1. Remove hardware from box and sort by size.
2. Please check to see that all hardware and parts are present prior to start of assembly.
3. Please follow attached instructions in the same sequence as numbered to assure fast & easy assembly.

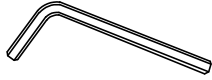

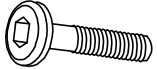



### WARNING!



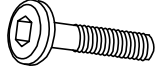
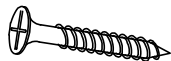

1. Don't attempt to repair or modify parts that are broken or defective. Please contact the store immediately.
2. This product is for home use only and not intended for commercial establishments.

## HARDWARE IDENTIFICATION

### Z-B1 (BOX 1) - HARDWARE PACK IS LOCATED IN 215791Q(B1)

1	<b>SMALL ALLEN WRENCH</b> (M4 x 65mm - BLK)		1PC	3	<b>LOCK WASHER</b> (1/4" - BLK)		6 PCS
2	<b>BOLT</b> (M6 x 30mm - BLK)		6PCS	4	<b>FLAT WASHER</b> (1/4" x 13mm - BLK)		6 PCS

### Z-B2 (BOX 2) - HARDWARE PACK IS LOCATED IN 215791Q(B2)

5	<b>BIG ALLEN WRENCH</b> (M5 x 65mm - BLK)		1PC	8	<b>FLAT WASHER</b> (5/16" x 22mm - RBW)		4PCS
6	<b>BOLT</b> (M8 x 16mm - RBW)		4PCS	9	<b>FLAT HEAD SCREW</b> (M4 x 32mm - RBW)		8PCS
7	<b>LOCK WASHER</b> (5/16" - RBW)		4PCS				

### NOTE:

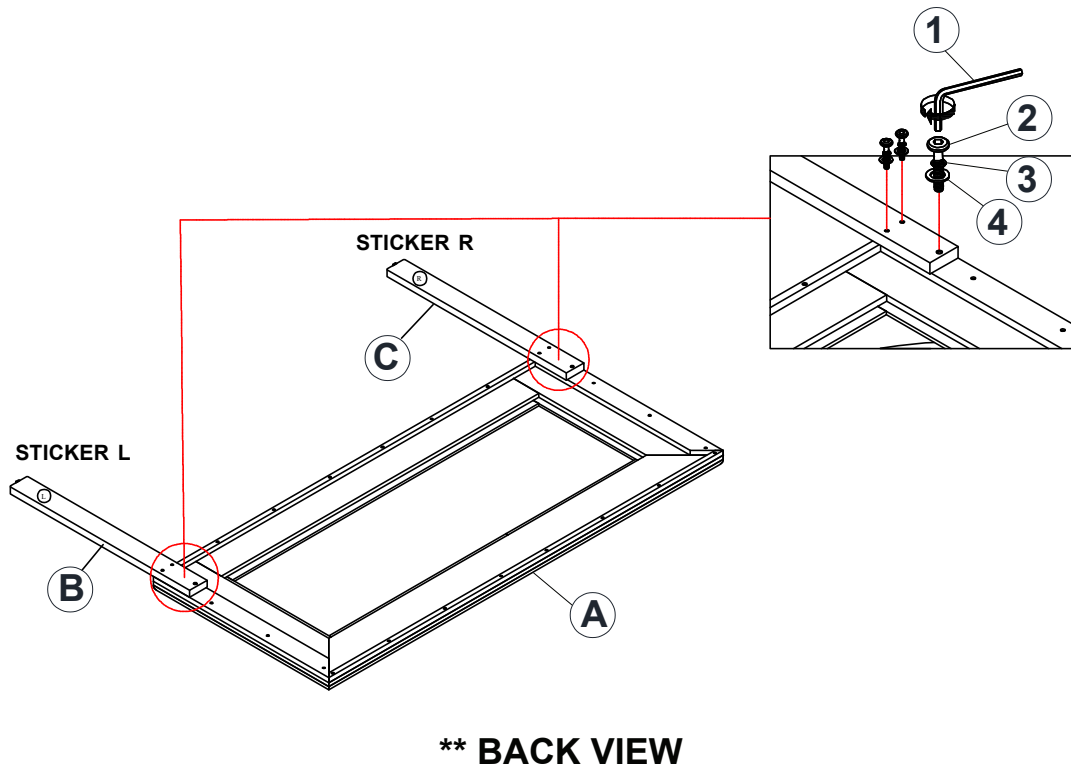
Phillips head screw driver is required in the assembly process; however, manufacturer does not provided this item.

# ITEM: 215791Q(B1-B3)

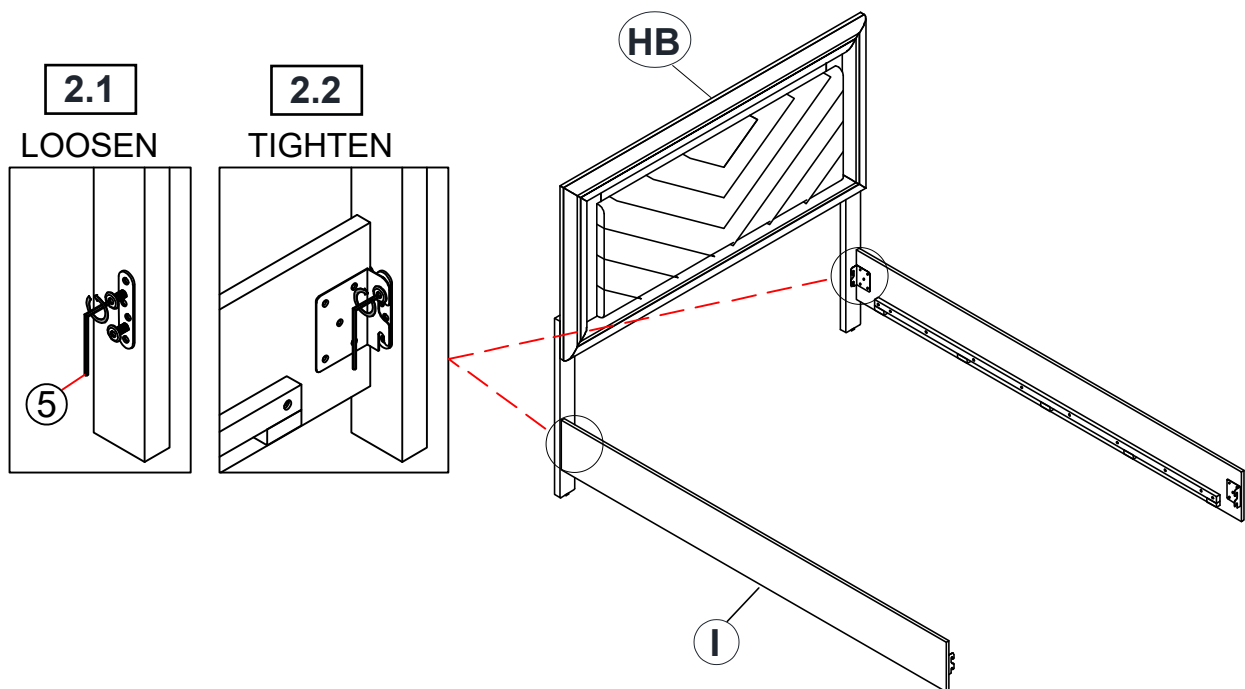


## ASSEMBLY INSTRUCTIONS

### STEP 1



### STEP 2

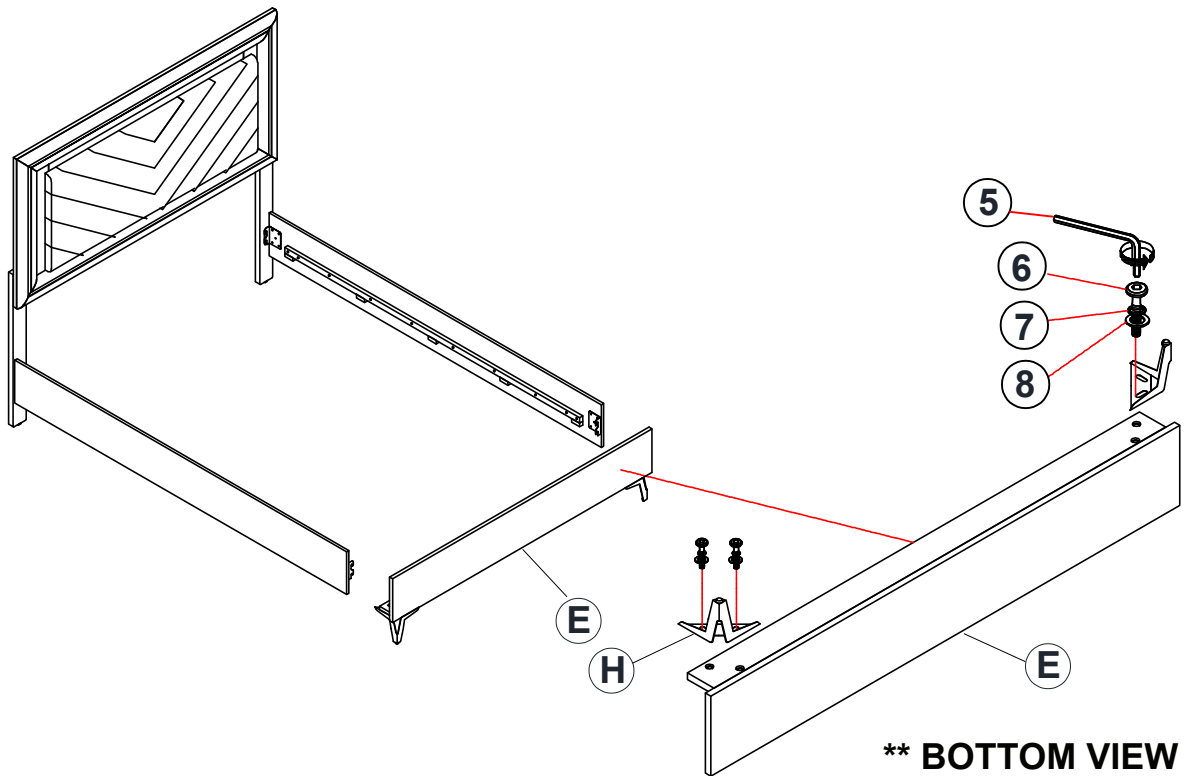


ITEM: **215791Q(B1-B3)**

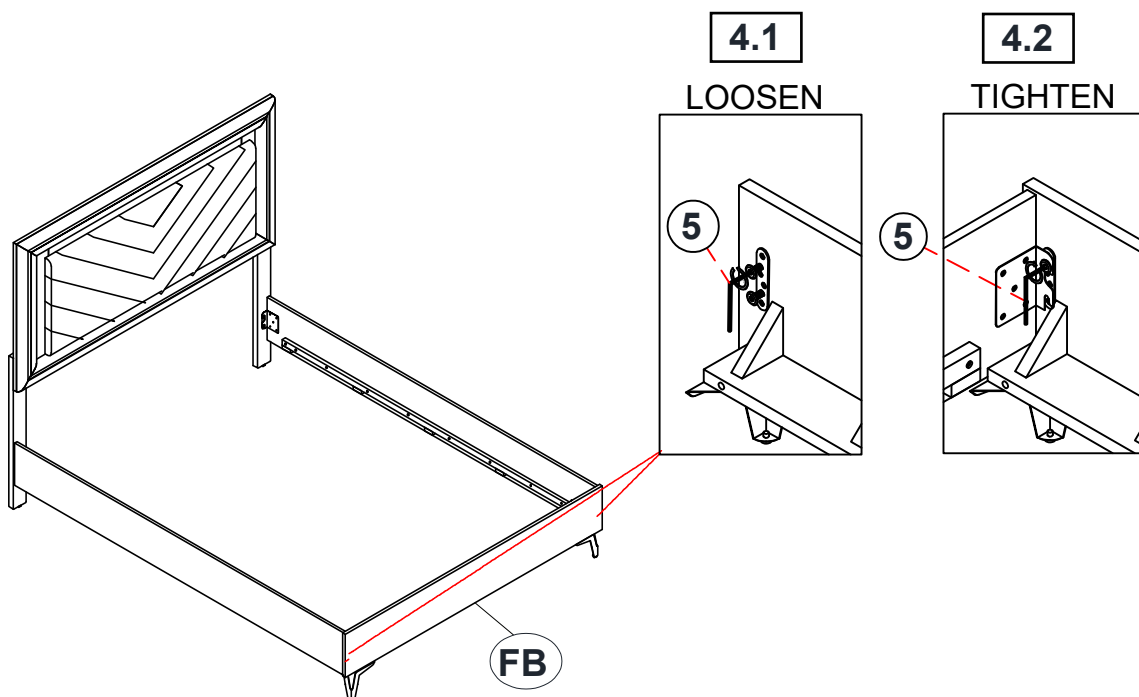


**ASSEMBLY INSTRUCTIONS**

**STEP 3**



**STEP 4**

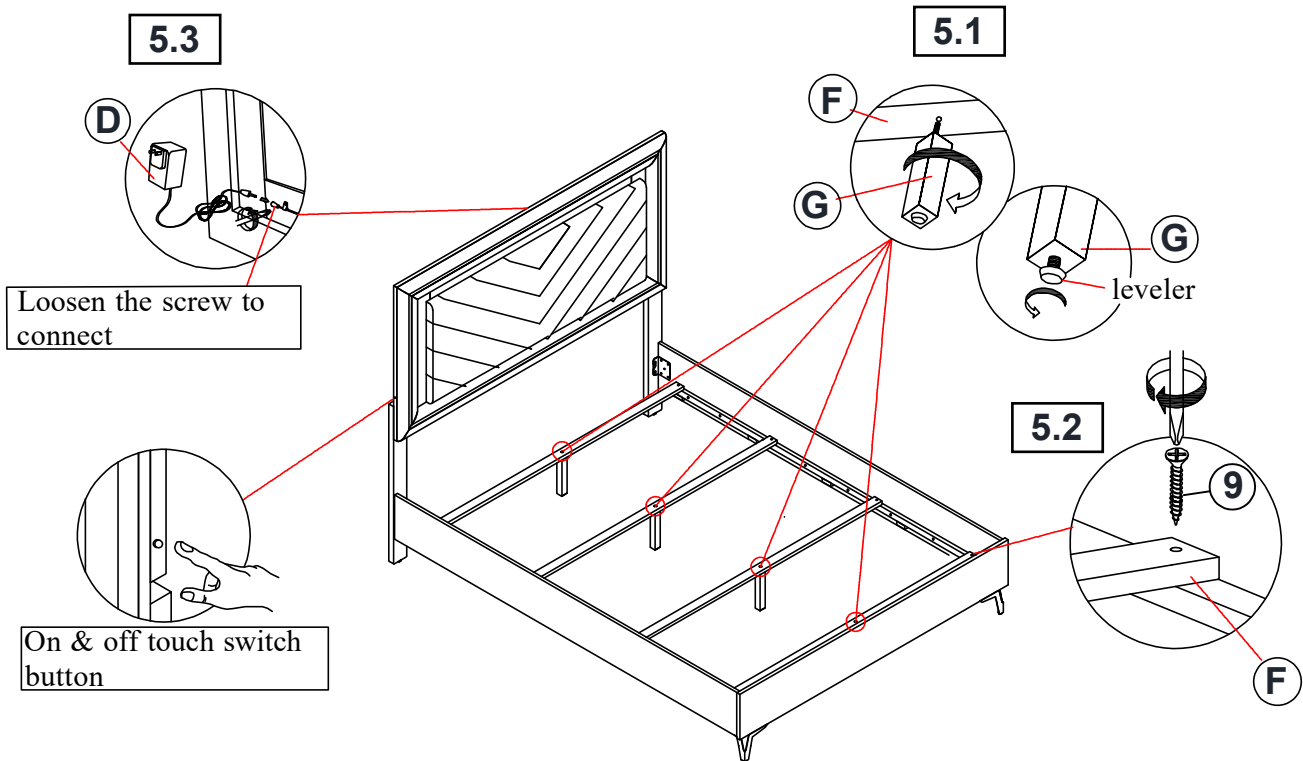


# ITEM: 215791Q(B1-B3)

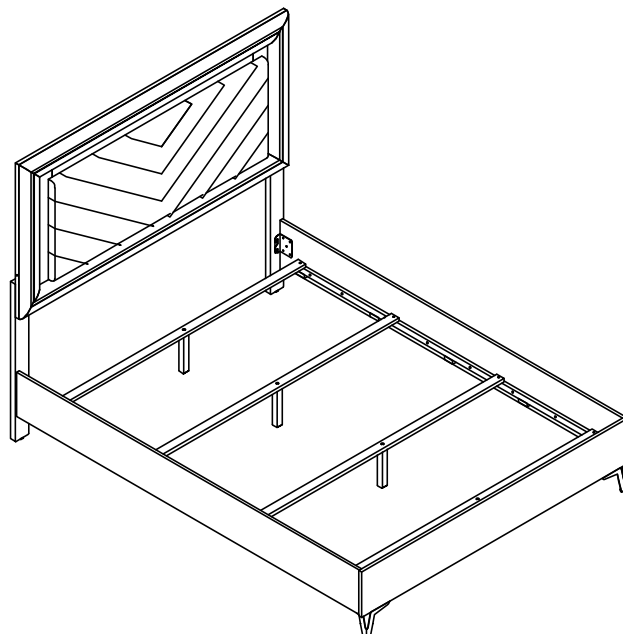


## ASSEMBLY INSTRUCTIONS

### STEP 5



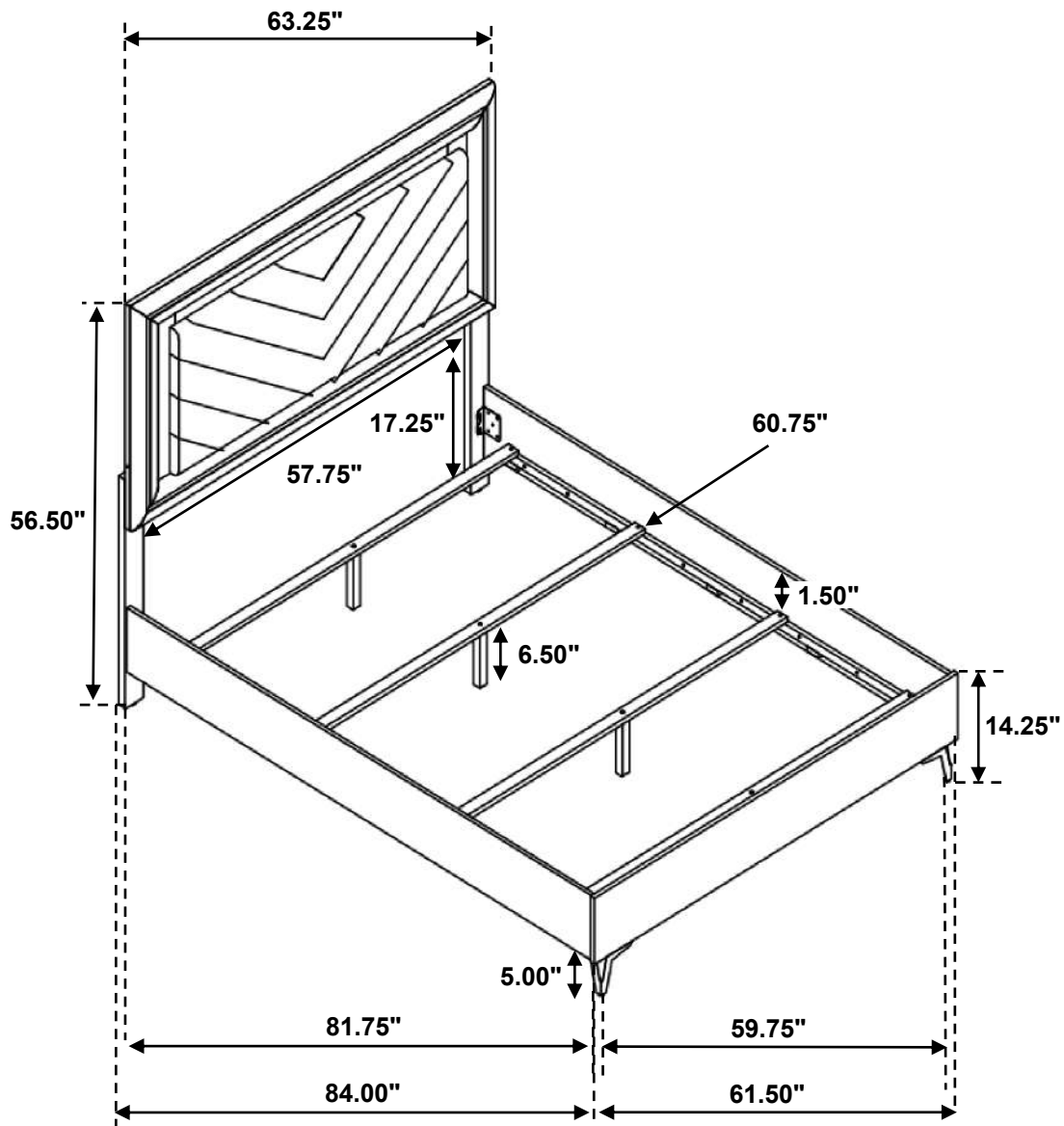
### STEP 6 COMPLETE



ITEM: **215791Q(B1-B3)**



Inner size: 60.50"W x 80.50"D



Note: Dimension tolerance  $\pm 5\%$