

ASSEMBLY INSTRUCTIONS
COASTER FINE FURNITURE



Fine Furniture for every stage of life

310090KE(B1&B2)
Eastern King Bed

ITEM: 310090KE(B1&B2)



ASSEMBLY INSTRUCTIONS

ASSEMBLY TIPS:

1. Remove hardware from box and sort by size.
2. Please check to see that all hardware and parts are present prior to start of assembly.
3. Please follow attached instructions in the same sequence as numbered to assure fast & easy assembly.



WARNING!

1. Don't attempt to repair or modify parts that are broken or defective. Please contact the store immediately.
2. This product is for home use only and not intended for commercial establishments.



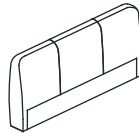
ASSEMBLY TIME

20 MINUTES

PARTS IDENTIFICATION

B1 (BOX 1)

A HEADBOARD PANEL



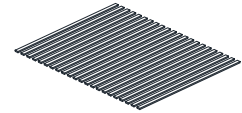
1PC

B LEG



4PCS

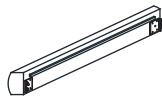
C ROLL SLAT (22PCS)



1SET

B2 (BOX 2)

D LEFT BED RAIL
(WITH "D" LABEL)



1PC

E RIGHT BED RAIL
(WITH "E" LABEL)



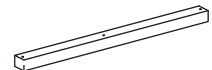
1PC

F FOOTBOARD PANEL



1PC

G CENTER RAIL



2PCS

H CENTER RAIL SUPPORT
WITH LEVELER



6PCS

NOTE:

Phillips head screw driver is required in the assembly process; however, manufacturer does not provided this item.

ITEM: 310090KE(B1&B2)

ASSEMBLY INSTRUCTIONS

ASSEMBLY TIPS:

1. Remove hardware from box and sort by size.
2. Please check to see that all hardware and parts are present prior to start of assembly.
3. Please follow attached instructions in the same sequence as numbered to assure fast & easy assembly.

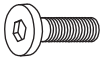

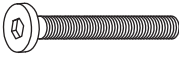

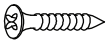


WARNING!

1. Don't attempt to repair or modify parts that are broken or defective. Please contact the store immediately.
2. This product is for home use only and not intended for commercial establishments.

HARDWARE IDENTIFICATION

Z-B2 (BOX 2) - HARDWARE PACK IS LOCATED IN 310090KE (B2)

1	SHORT BOLT (M8 x 20MM - RBW)		8PCS	4	SMALL ALLEN WRENCH (M4 x 100MM - BLK)		1PC
2	LONG BOLT (M6 x 50MM - RBW)		8PCS	5	BIG ALLEN WRENCH (M5 x 65MM - BLK)		1PC
3	FLAT HEAD SCREW (M4 x 32MM - RBW)		6PCS				

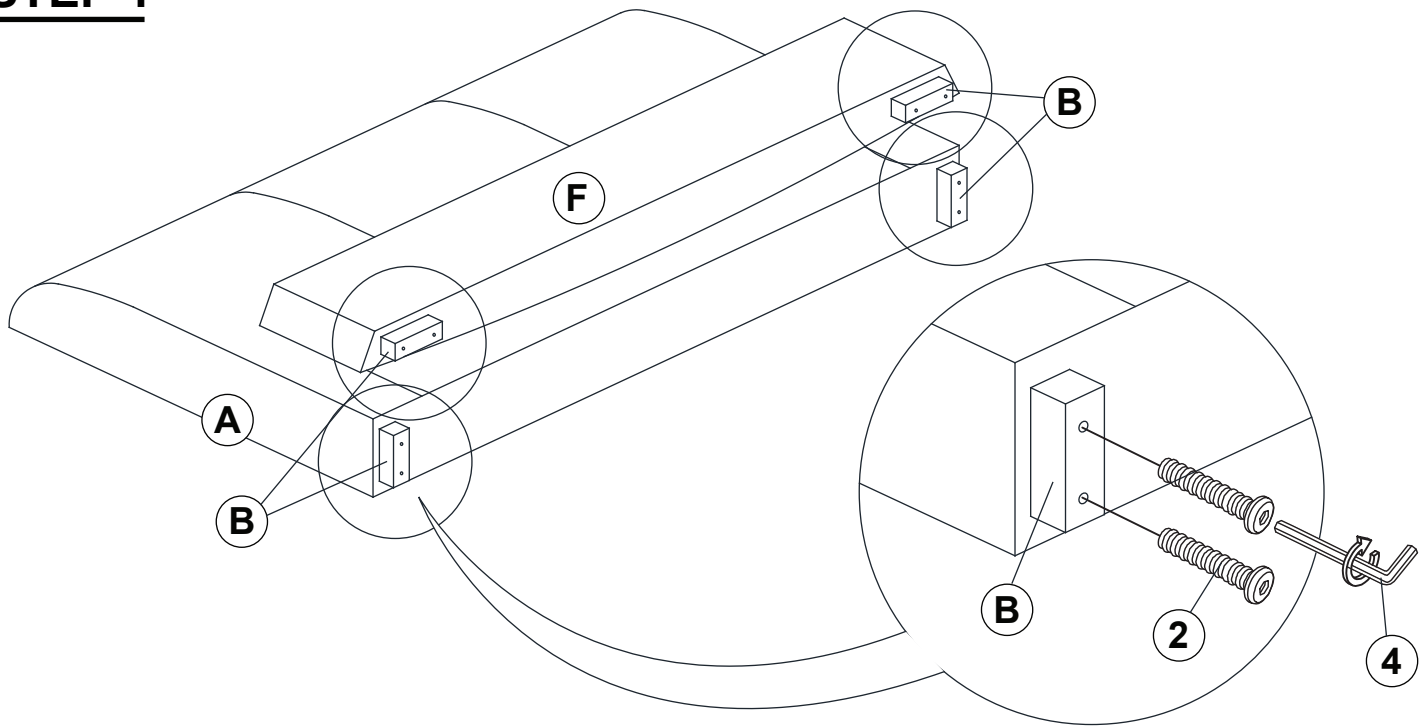
NOTE:

Phillips head screw driver is required in the assembly process; however, manufacturer does not provided this item.

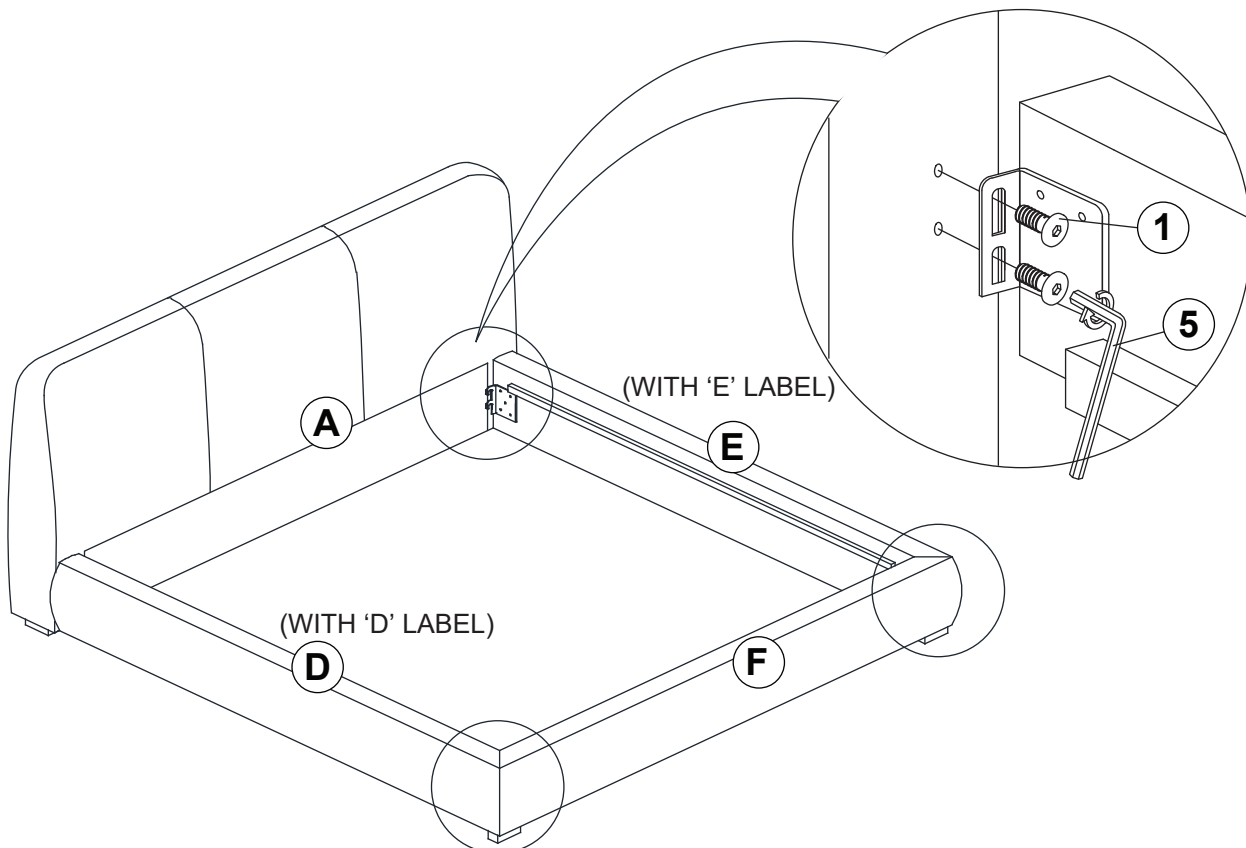
ITEM: 310090KE(B1&B2)

ASSEMBLY INSTRUCTIONS

STEP 1



STEP 2

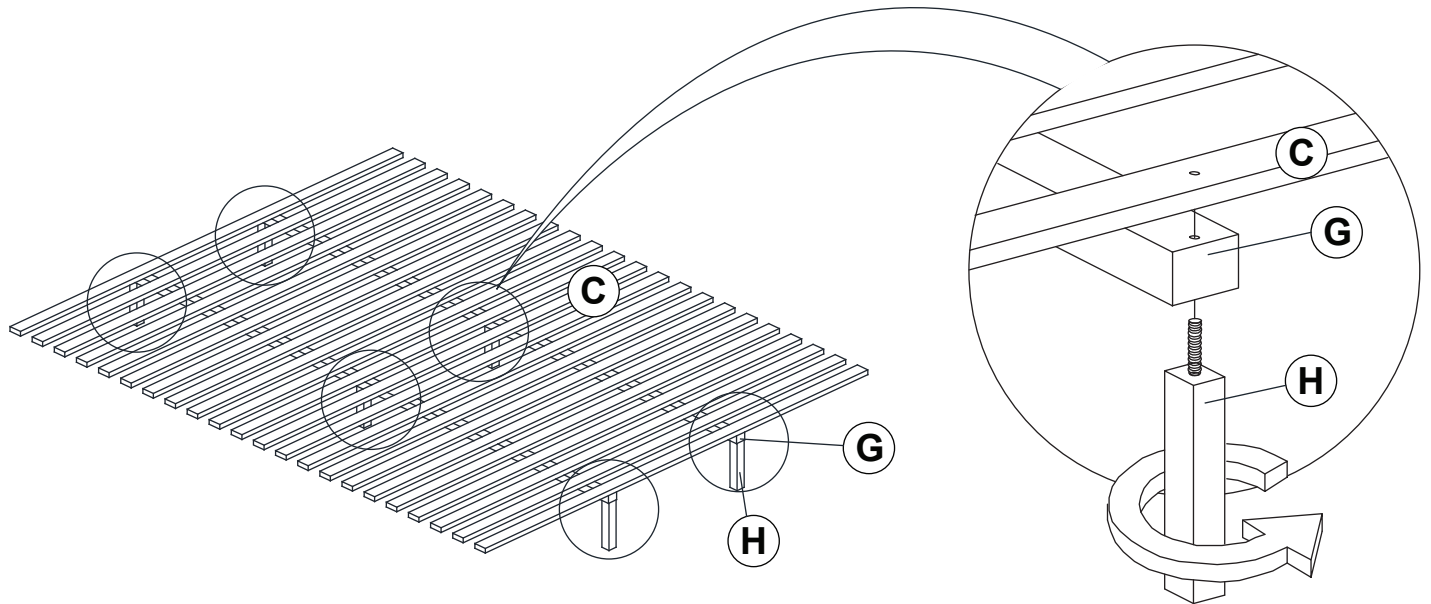


ITEM: **310090KE(B1&B2)**

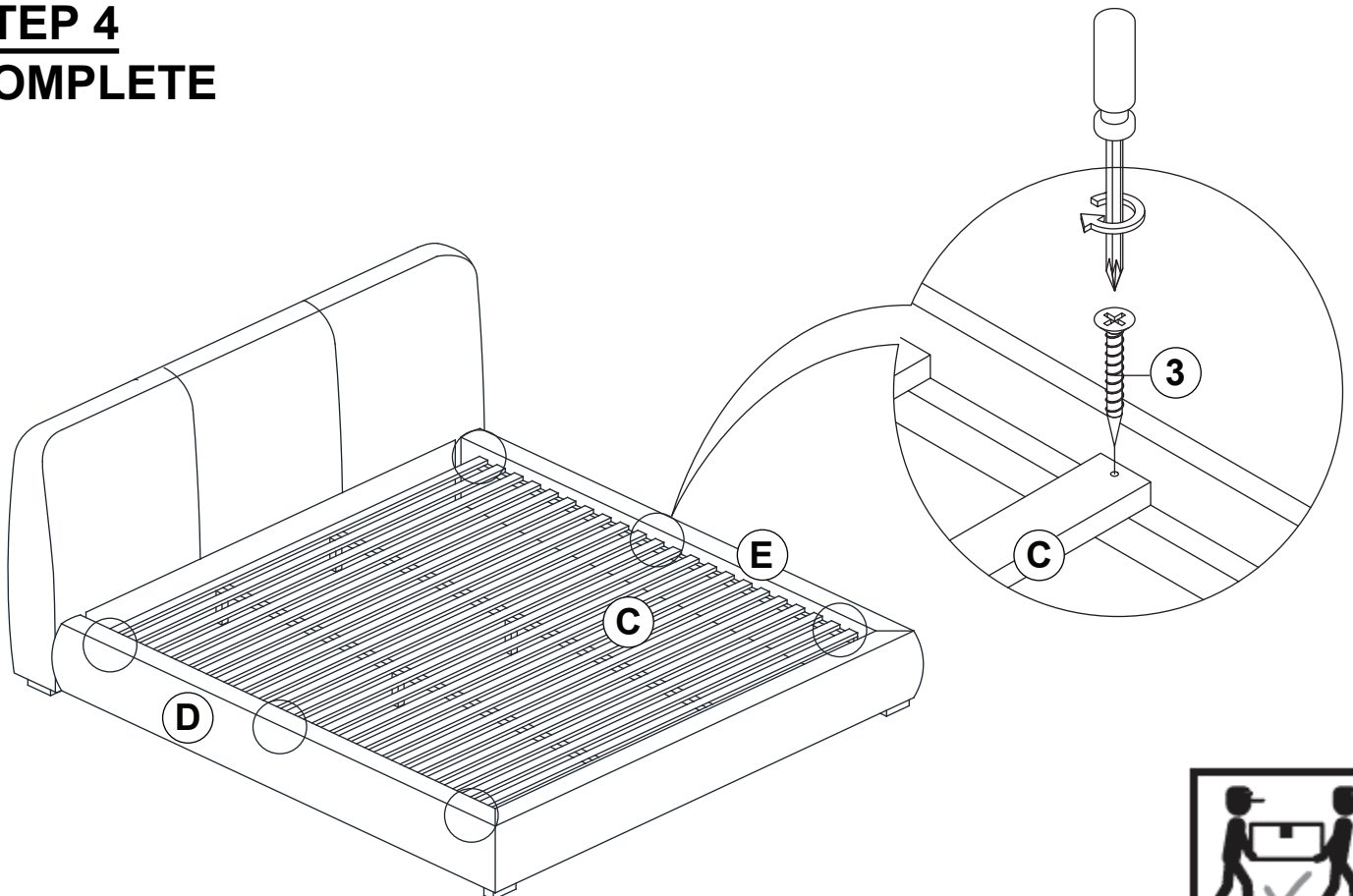


ASSEMBLY INSTRUCTIONS

STEP 3



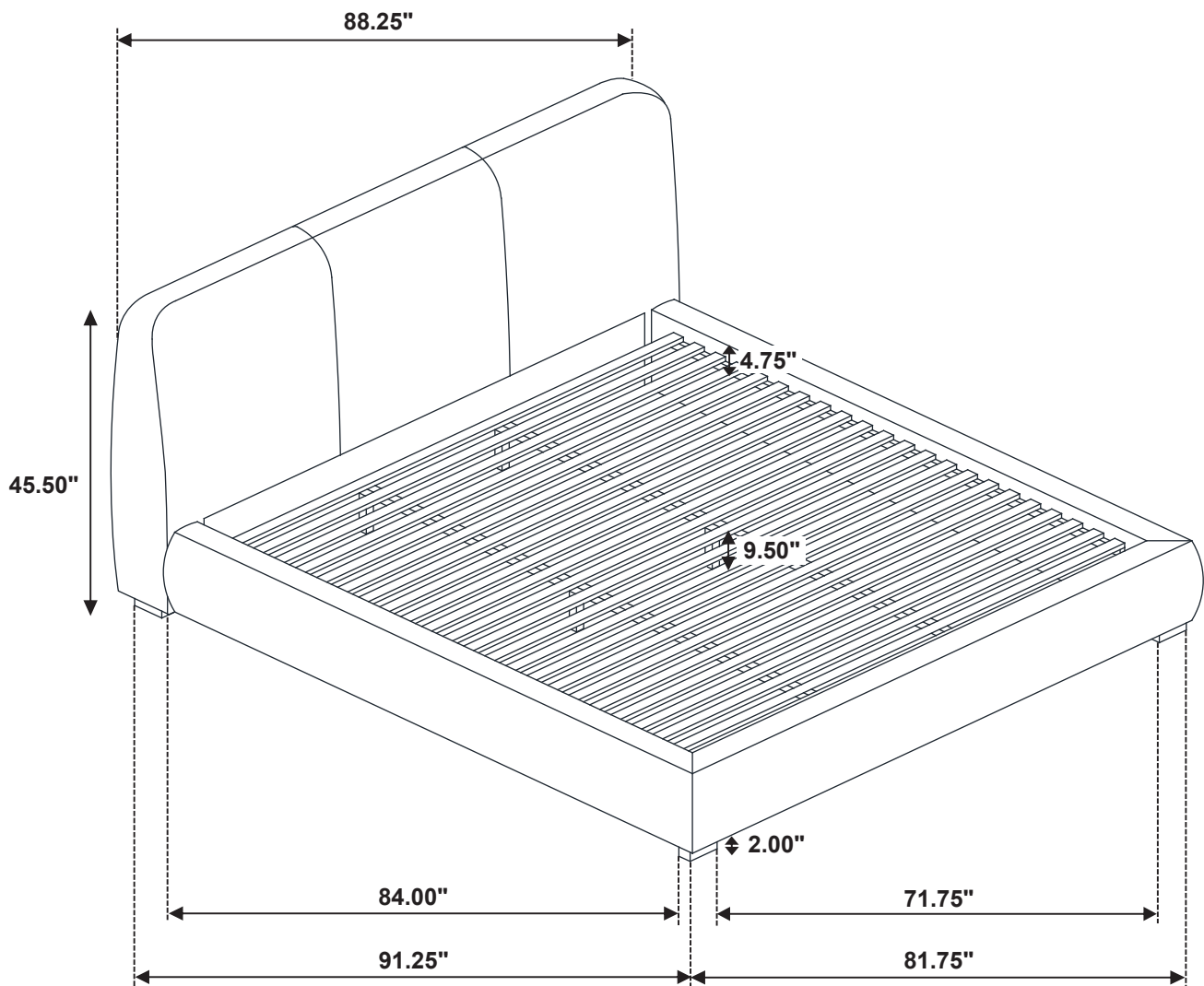
STEP 4
COMPLETE



ITEM: 310090KE(B1&B2)



Inner size: 76.50"W X 80.50"D



Note : Dimension tolerance $\pm 5\%$