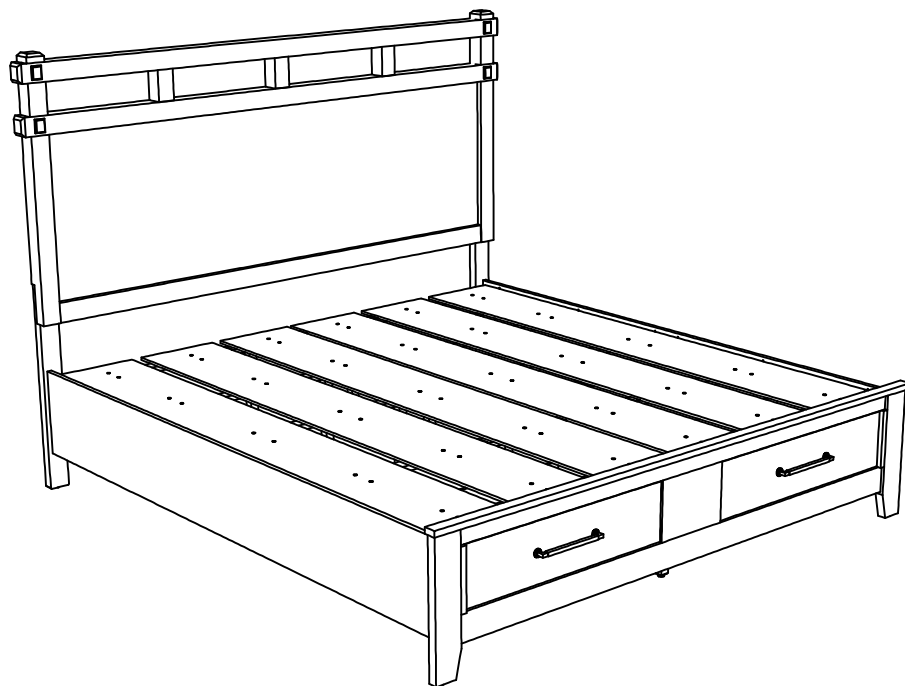


ASSEMBLY INSTRUCTIONS
COASTER FINE FURNITURE



Fine Furniture for every stage of life

207530KE (B1-B3)
Eastern King Storage Bed

ITEM: 207530KE (B1-B3)



ASSEMBLY INSTRUCTIONS

ASSEMBLY TIPS:

1. Remove hardware from box and sort by size.
2. Please check to see that all hardware and parts are present prior to start of assembly.
3. Please follow attached instructions in the same sequence as numbered to assure fast & easy assembly.



WARNING!

1. Don't attempt to repair or modify parts that are broken or defective. Please contact the store immediately.
2. This product is for home use only and not intended for commercial establishments.

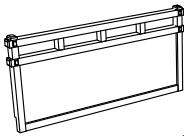

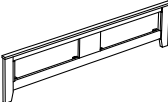



ASSEMBLY TIME

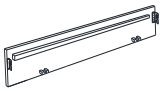
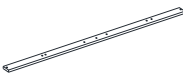
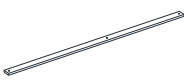



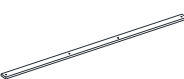


20 MINUTES

PARTS IDENTIFICATION

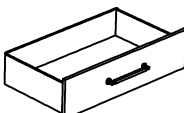
B1 (BOX 1)

A	HEADBOARD		1PC	C	LEFT HEADBOARD LEG		1PC
B	FOOTBOARD FRAME		1PC	D	RIGHT HEADBOARD LEG		1PC

B2 (BOX 2)

E	BED RAIL		2PCS	J	DRAWER SUPPORT SLAT		1PC
F	BED SLAT WITH 1 HOLE		1PC	K	DRAWER SUPPORT RAIL		2PCS
G	BED SLAT WITH MARKING		2PCS	L	BED SLAT SUPPORT WITH LEVELER		9PCS
H	BED SLAT WITH 2 HOLE		2PCS	M	DRAWER SUPPORT SLAT LEG WITH LEVELER		1PC
I	CONCEAL PANEL		6PCS				

B3 (BOX 3)

N	DRAWER BOX		2PCS
---	------------	---	------

ITEM: 207530KE (B1-B3)



ASSEMBLY INSTRUCTIONS

ASSEMBLY TIPS:

1. Remove hardware from box and sort by size.
2. Please check to see that all hardware and parts are present prior to start of assembly.
3. Please follow attached instructions in the same sequence as numbered to assure fast & easy assembly.







WARNING!





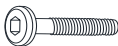



1. Don't attempt to repair or modify parts that are broken or defective. Please contact the store immediately.
2. This product is for home use only and not intended for commercial establishments.

HARDWARE IDENTIFICATION

Z-B1 (BOX 1) - HARDWARE PACK IS LOCATED IN 207530KE (B1)

1	BOLT (M6 x 35mm - BLK)		6PCS	3	FLAT WASHER (1/4" ID x 13mm - BLK)		6PCS
2	LOCK WASHER (1/4" - BLK)		6PCS	4	ALLEN WRENCH (M4 x 65mm - BLK)		1PC

Z-B2 (BOX 2) - HARDWARE PACK IS LOCATED IN 207530KE (B2)

5	FLAT HEAD SCREW (M4 x 32mm - RBW)		14PCS	9	LOCK WASHER (1/4" - BLK)		2PCS
6	PAN HEAD SCREW (M3.5 x 20mm - BLK)		30PCS	10	FLAT WASHER (1/4" ID x 13mm - BLK)		2PCS
7	SHORT BOLT (M6 x 35mm - BLK)		2PCS	11	SMALL ALLEN WRENCH (M4 x 65mm - BLK)		1PC
8	LONG BOLT (M6 x 50mm - BLK)		10PCS	12	BIG ALLEN WRENCH (M5 x 65mm - BLK)		1PC

NOTE:

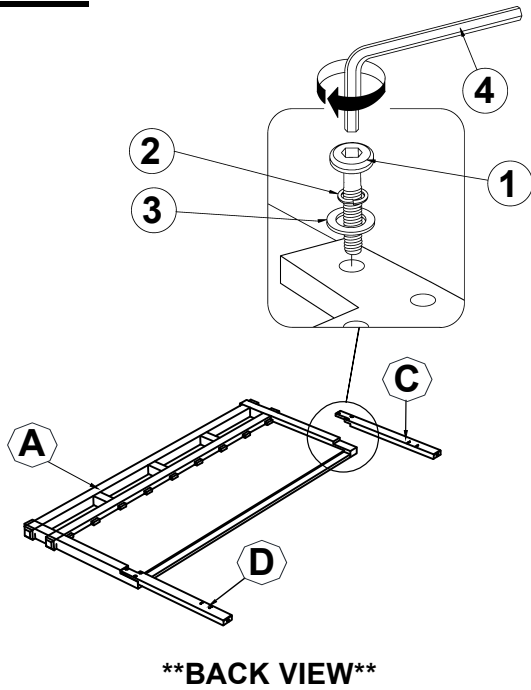
Phillips head screw driver is required in the assembly process; however, manufacturer does not provide this item.

ITEM: 207530KE (B1-B3)

ASSEMBLY INSTRUCTIONS

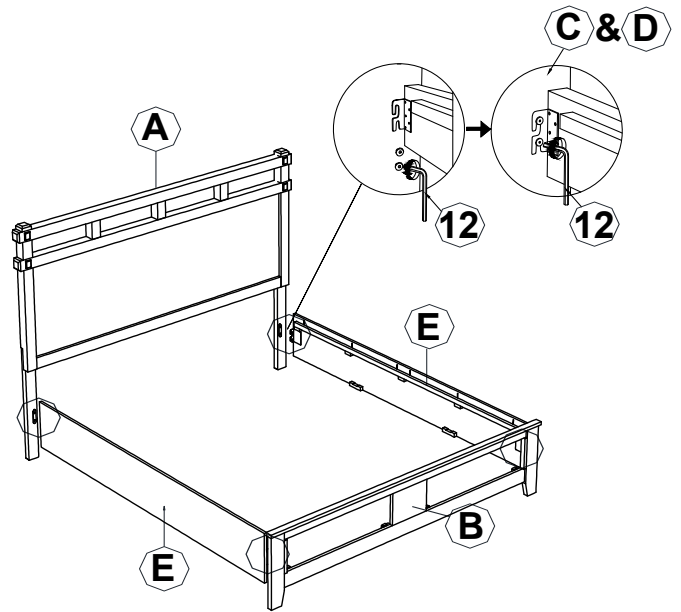


STEP 1

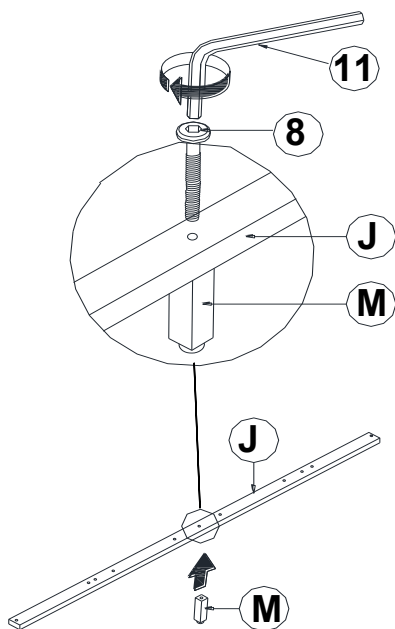


Note : Please take note of the marking sticker (L&R) on the leg.

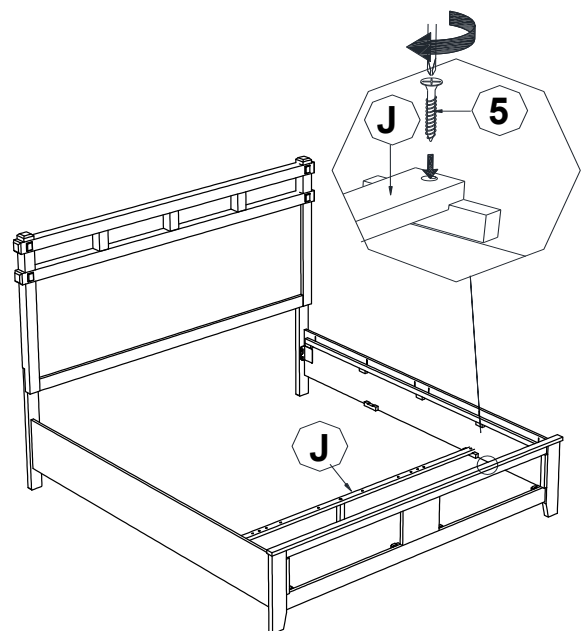
STEP 2



STEP 3



STEP 4

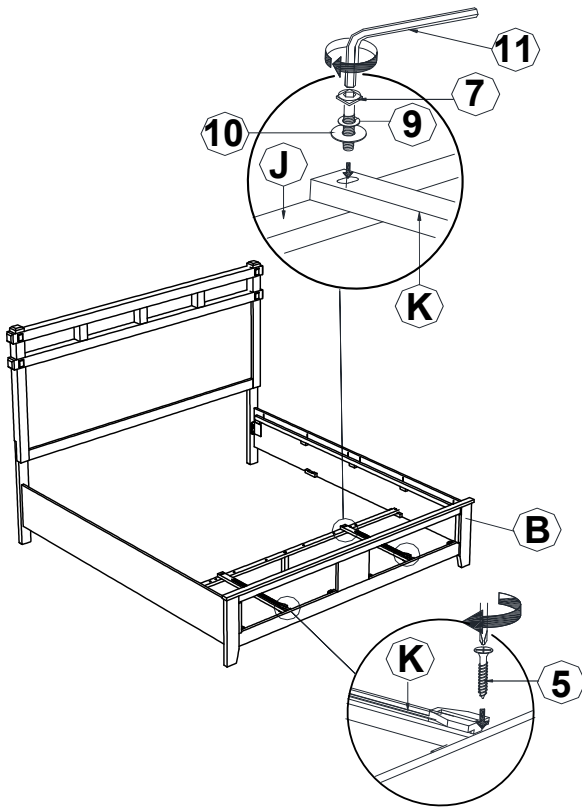


ITEM: 207530KE (B1-B3)

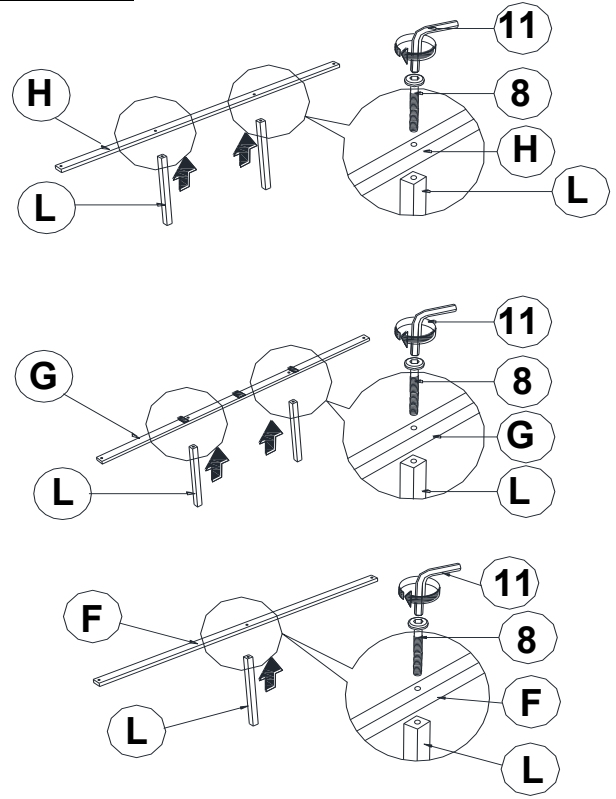
ASSEMBLY INSTRUCTIONS



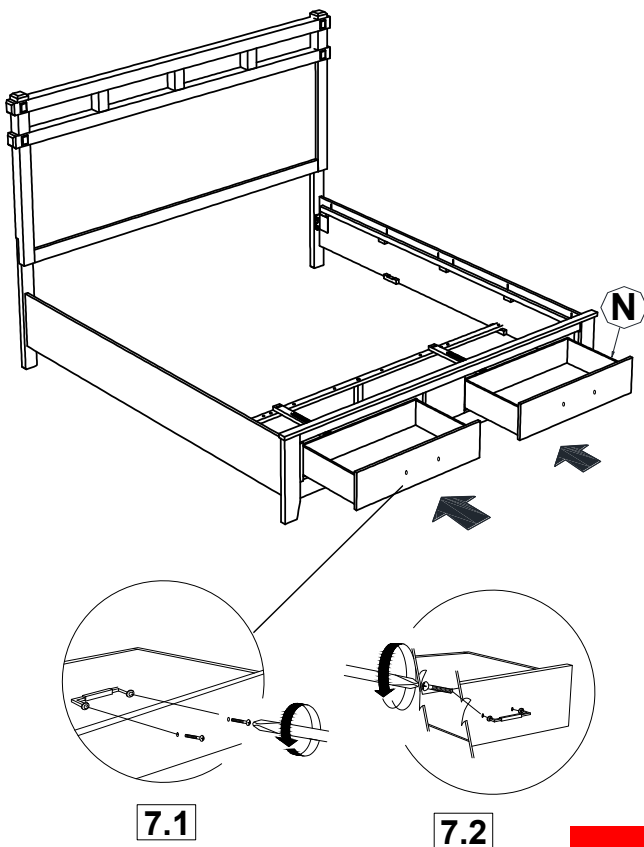
STEP 5



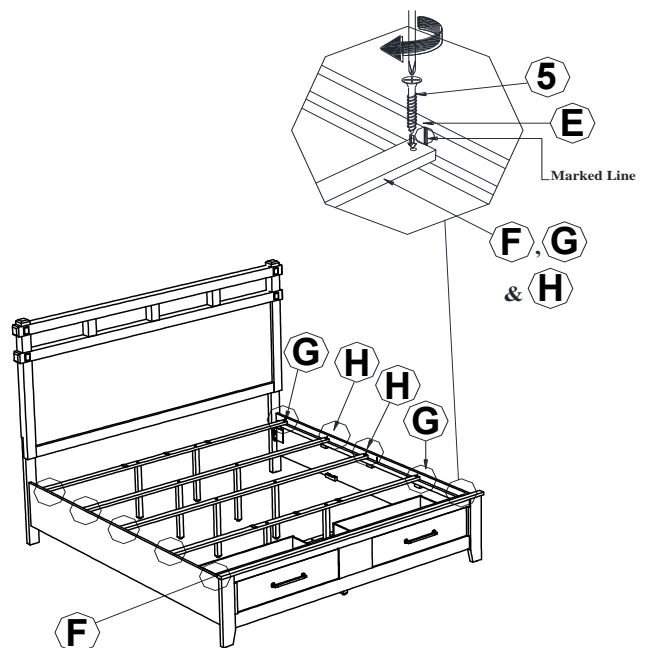
STEP 6



STEP 7



STEP 8

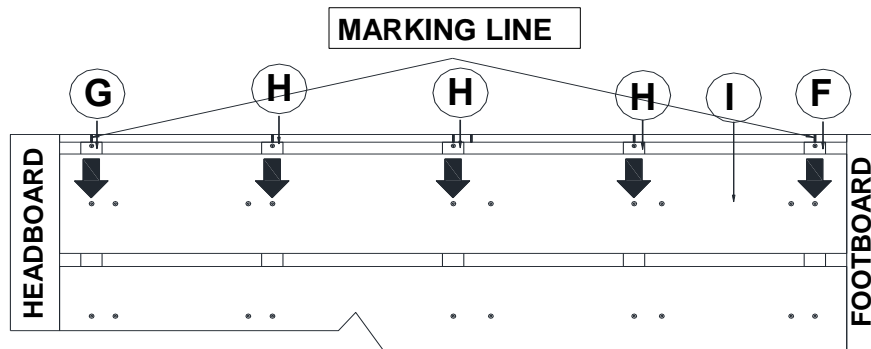


ITEM: 207530KE (B1-B3)

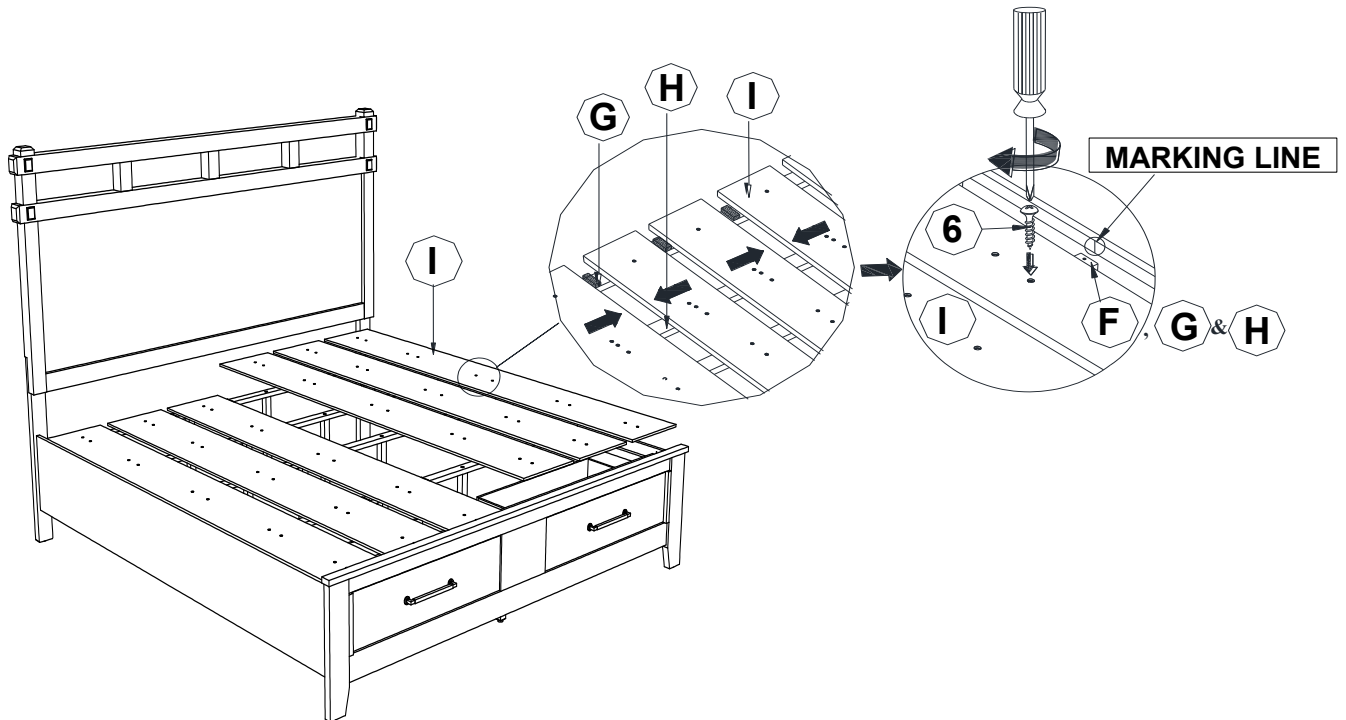


ASSEMBLY INSTRUCTIONS

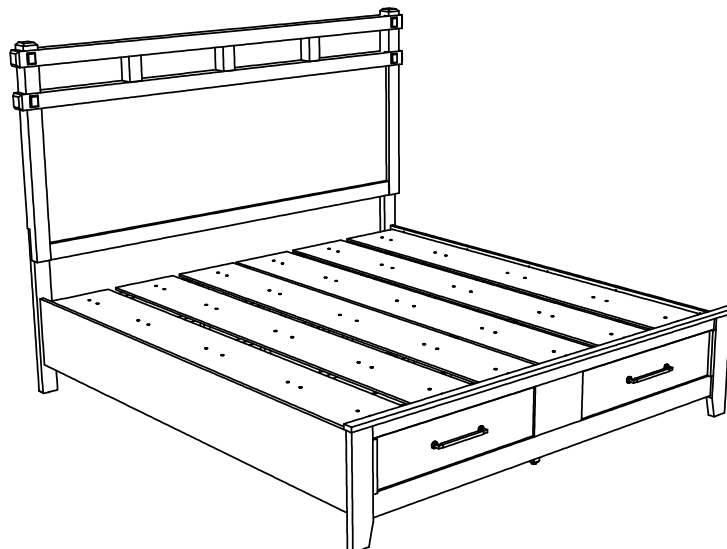
STEP 9



TIGHTEN THE PAN HEAD SCREW (6) BY FOLLOW THE ARROW AS SHOWN



STEP 10 COMPLETE

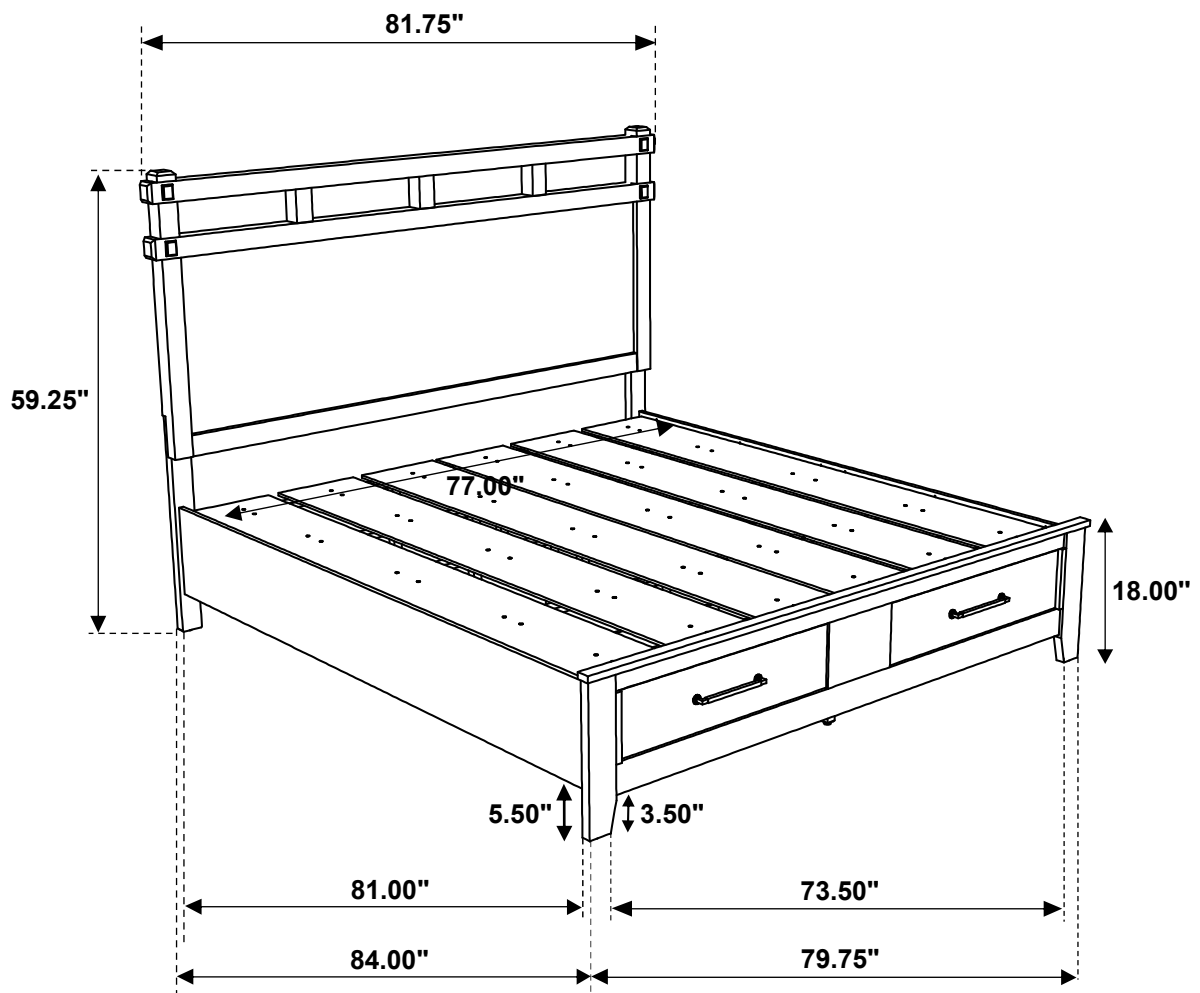


ITEM: 207530KE (B1-B3)



Inner Size of Bed: 77.00"W X 81.00"D

Inner Size of Drawer : 27.25"W X 15.00"D X 5.25"H X 0.25"T



Note: Dimension tolerance $\pm 5\%$