



ASSEMBLY INSTRUCTIONS
COASTER FINE FURNITURE



Fine Furniture for every stage of life

182446(B1-B3)
Kitchen Cart

ITEM: 182446(B1-B3)



ASSEMBLY INSTRUCTIONS

ASSEMBLY TIPS:

1. Remove hardware from box and sort by size.
2. Please check to see that all hardware and parts are present prior to start of assembly.
3. Please follow attached instructions in the same sequence as numbered to assure fast & easy assembly.



WARNING!

1. Don't attempt to repair or modify parts that are broken or defective. Please contact the store immediately.
2. This product is for home use only and not intended for commercial establishments.











ASSEMBLY TIME


30 MINUTES

PARTS IDENTIFICATION




B1 (BOX 1)

A	TOP		1PC	E	EXTENSION TABLE FRONT LEG		1PC
B	DRAWER COMPARTMENT		1PC	F	EXTENSION TABLE BACK LEG		1PC
C	BOTTOM PANEL		1PC	G	EXTENSION TABLE STRETCHER		1PC
D	LEG		4PCS	H	EXTENSION TABLE SUPPORT		2PCS

B2 (BOX 2)

I	SIDE DRAWER		1PC
---	-------------	---	-----

B3 (BOX 3)

J	STOOL SEAT		2PCS	L	STOOL STRETCHER		4PCS
K	STOOL LEG FRAME		4PCS				

ITEM: 182446(B1-B3)



ASSEMBLY INSTRUCTIONS

ASSEMBLY TIPS:

1. Remove hardware from box and sort by size.
2. Please check to see that all hardware and parts are present prior to start of assembly.
3. Please follow attached instructions in the same sequence as numbered to assure fast & easy assembly.



WARNING!

1. Don't attempt to repair or modify parts that are broken or defective. Please contact the store immediately.
2. This product is for home use only and not intended for commercial establishments.

HARDWARE IDENTIFICATION

Z-B1 (BOX 1) - HARDWARE PACK IS LOCATED IN 182446(B1)

1	BOLT 1 (Ø5/16" x 35mm - RBW)		10PCS
2	BOLT 2 (Ø5/16" x 63mm - RBW)		12PCS
3	BOLT 3 (Ø1/4" x 60mm - RBW)		4PCS
4	LOCK WASHER (Ø5/16" x 13mm - RBW)		22PCS
5	FLAT WASHER (Ø5/16" x 19mm - RBW)		22PCS
6	FLAT HEAD SCREW (Ø4 x 40mm - RBW)		2PCS
7	ALLEN WRENCH (M4 x 59mm - RBW)		1PC

Z-B3 (BOX 3) - HARDWARE PACK IS LOCATED IN 182446(B3)

8	BOLT 4 (Ø1/4" x 50mm - RBW)		8PCS
9	FLAT HEAD SCREW (Ø4 x 40mm - RBW)		8PCS
10	ALLEN WRENCH (M4 x 59mm - RBW)		2PCS
11	WOOD PLUG (Ø14 x 10mm - D.OAK)		8PCS

NOTE:

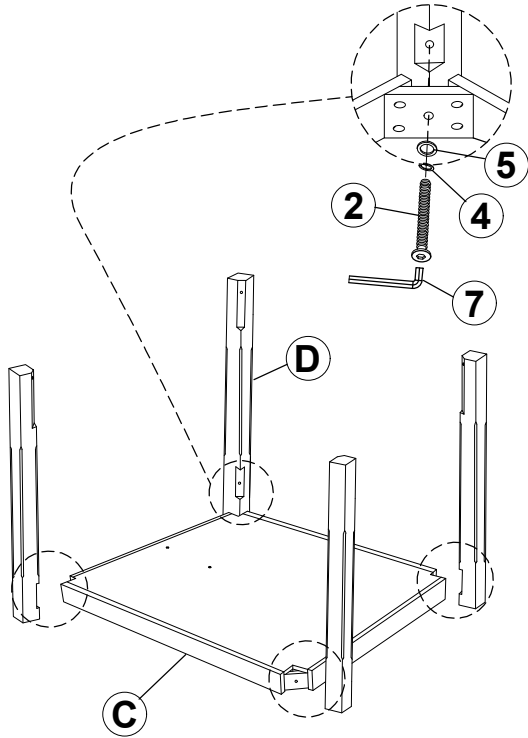
Phillips head screw driver is required in the assembly process. However, manufacturer does not provide this item.

ITEM: 182446(B1-B3)

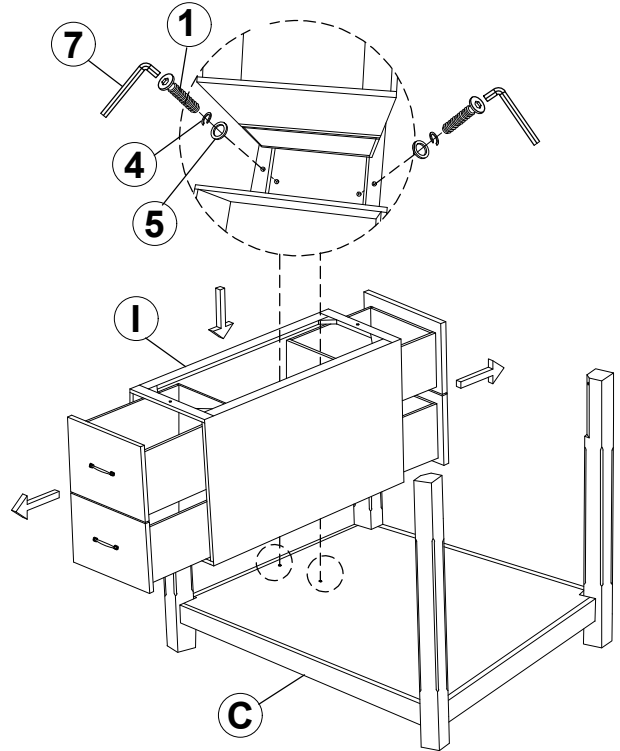
ASSEMBLY INSTRUCTIONS



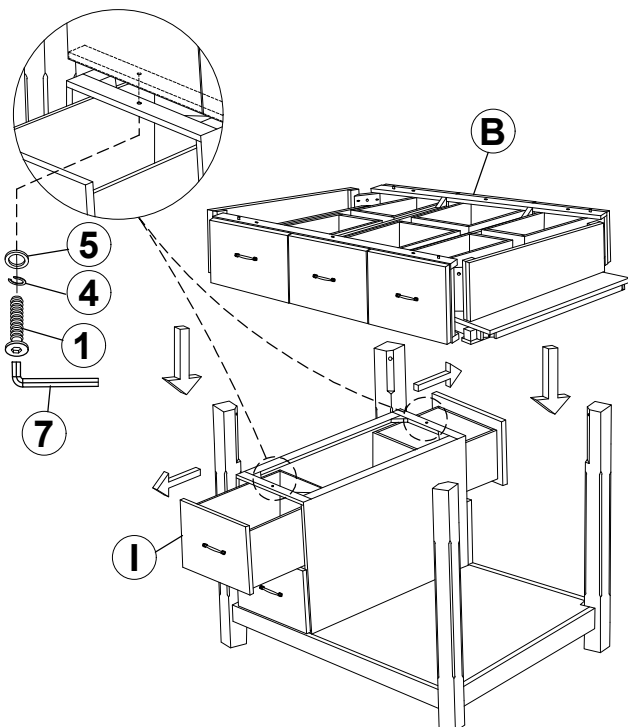
STEP 1



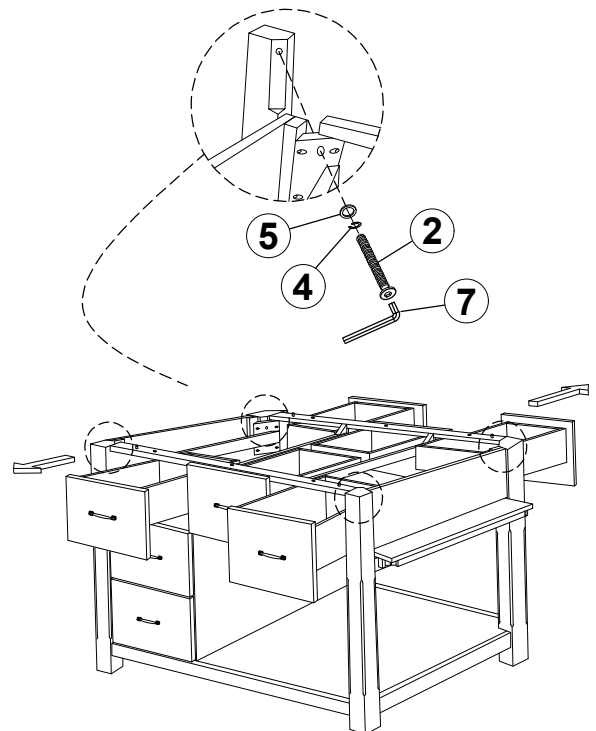
STEP 2



STEP 3



STEP 4

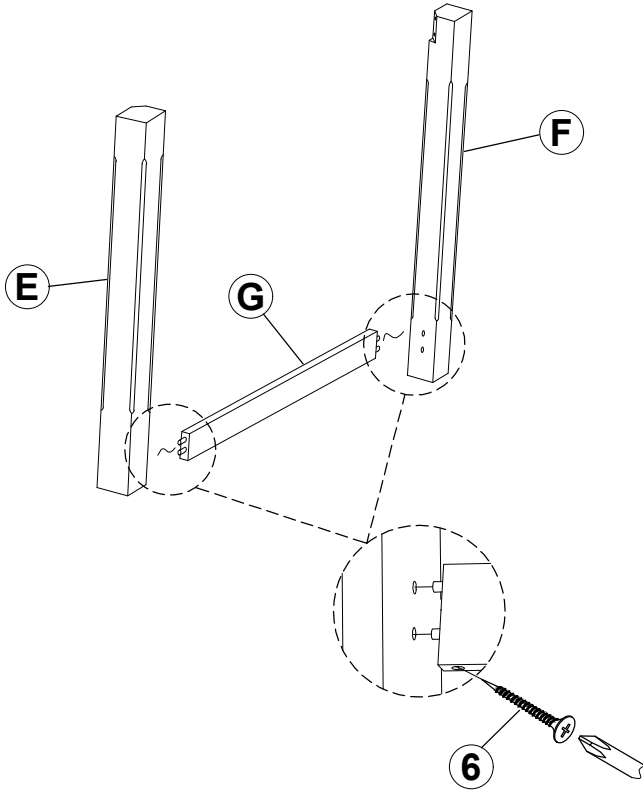


ITEM: 182446(B1-B3)

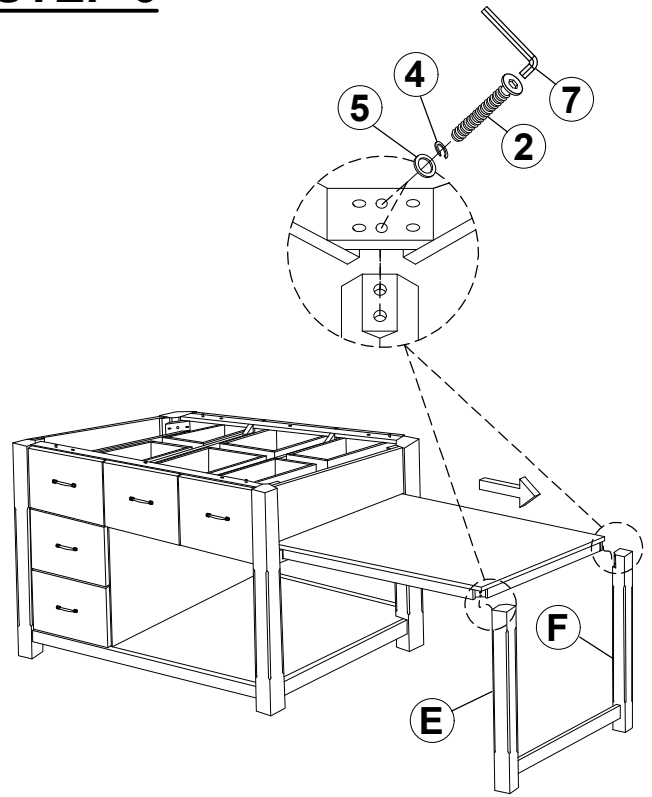
ASSEMBLY INSTRUCTIONS



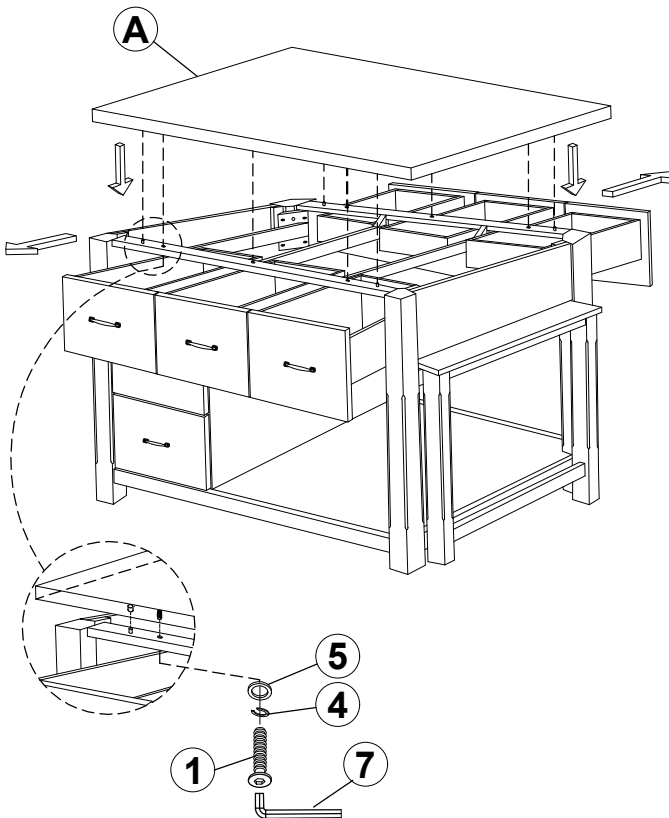
STEP 5



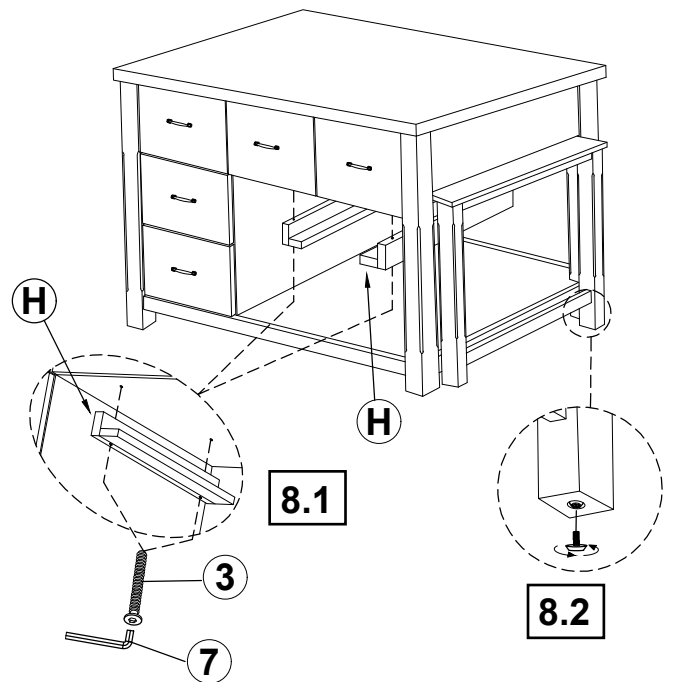
STEP 6



STEP 7

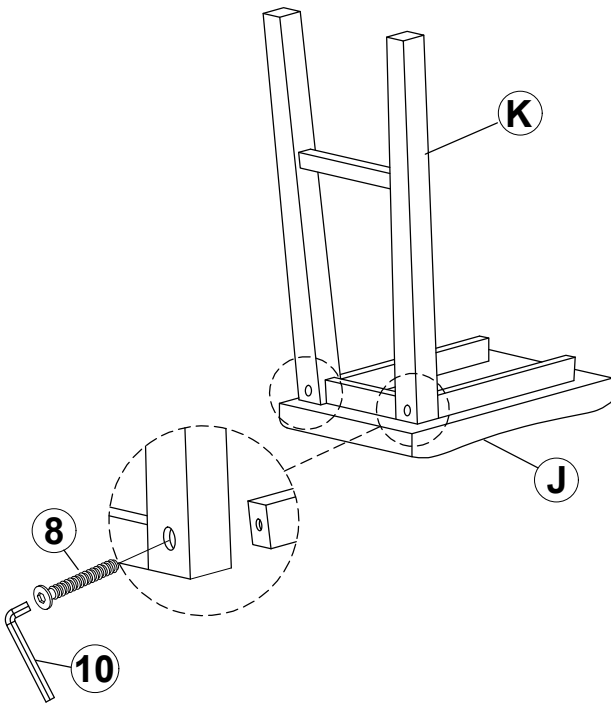


STEP 8

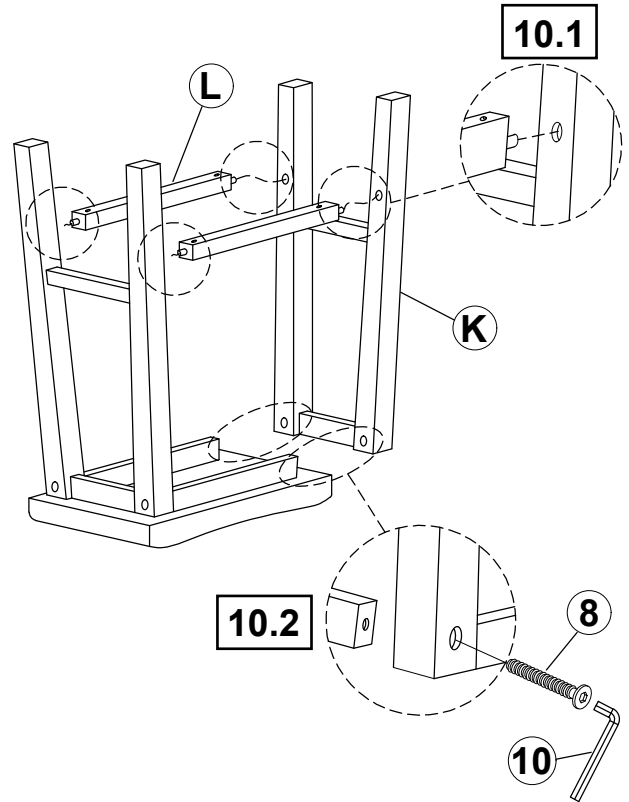


ITEM: **182446(B1-B3)**
ASSEMBLY INSTRUCTIONS

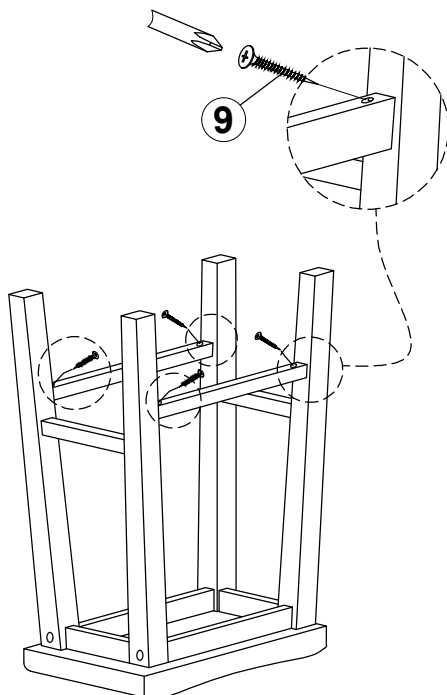
STEP 9



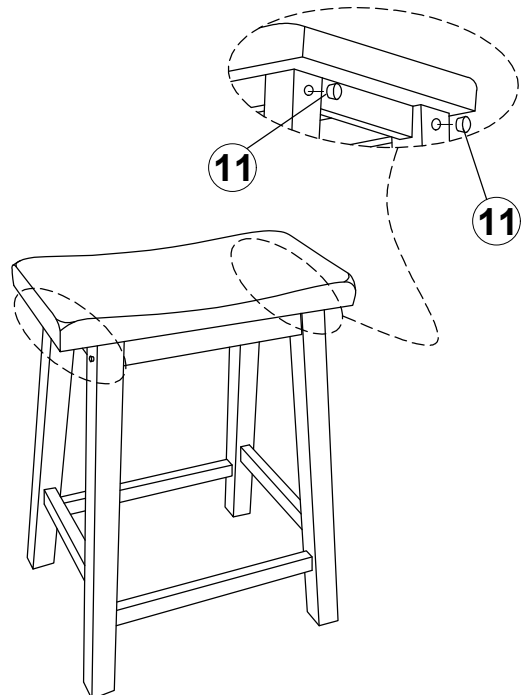
STEP 10



STEP 11



STEP 12

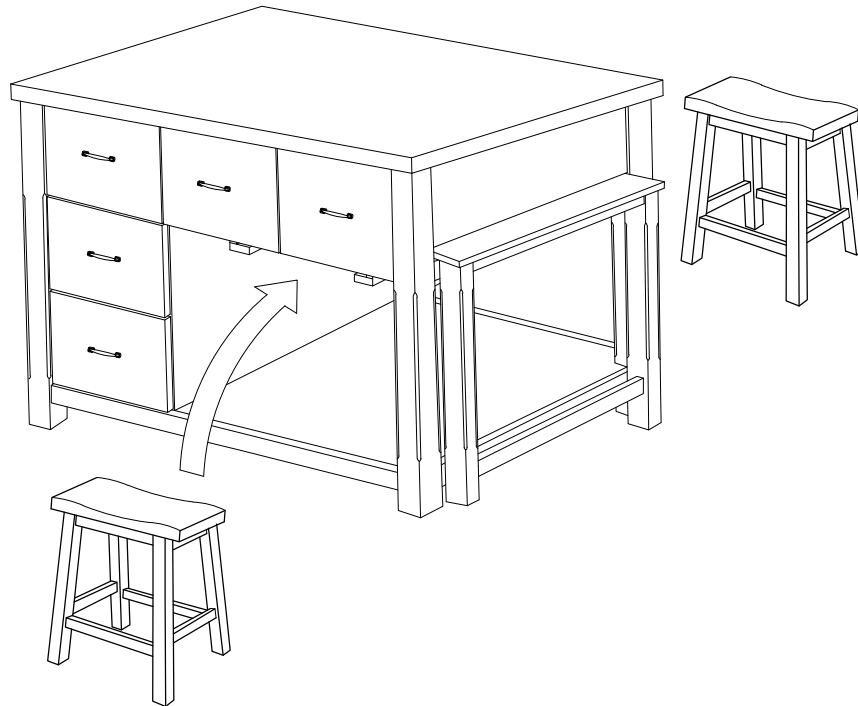


ITEM: **182446 (B1-B3)**

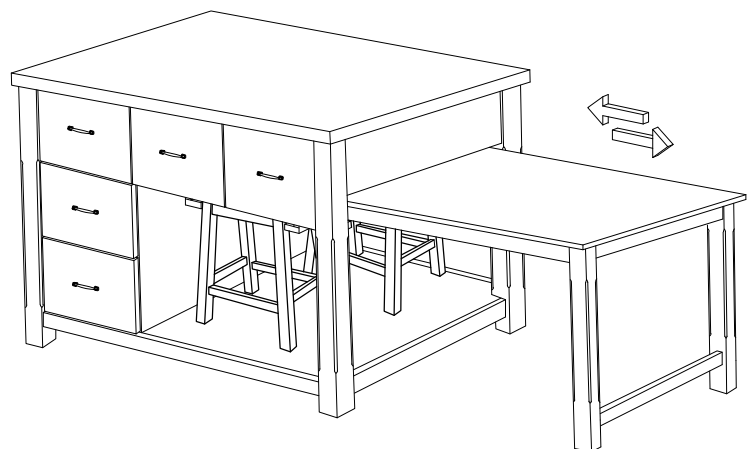
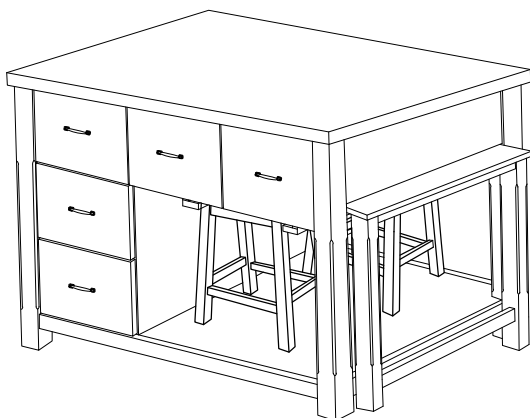


ASSEMBLY INSTRUCTIONS

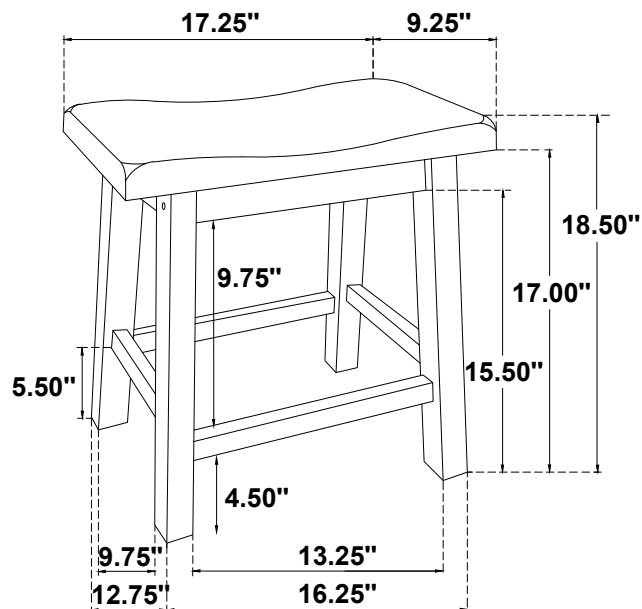
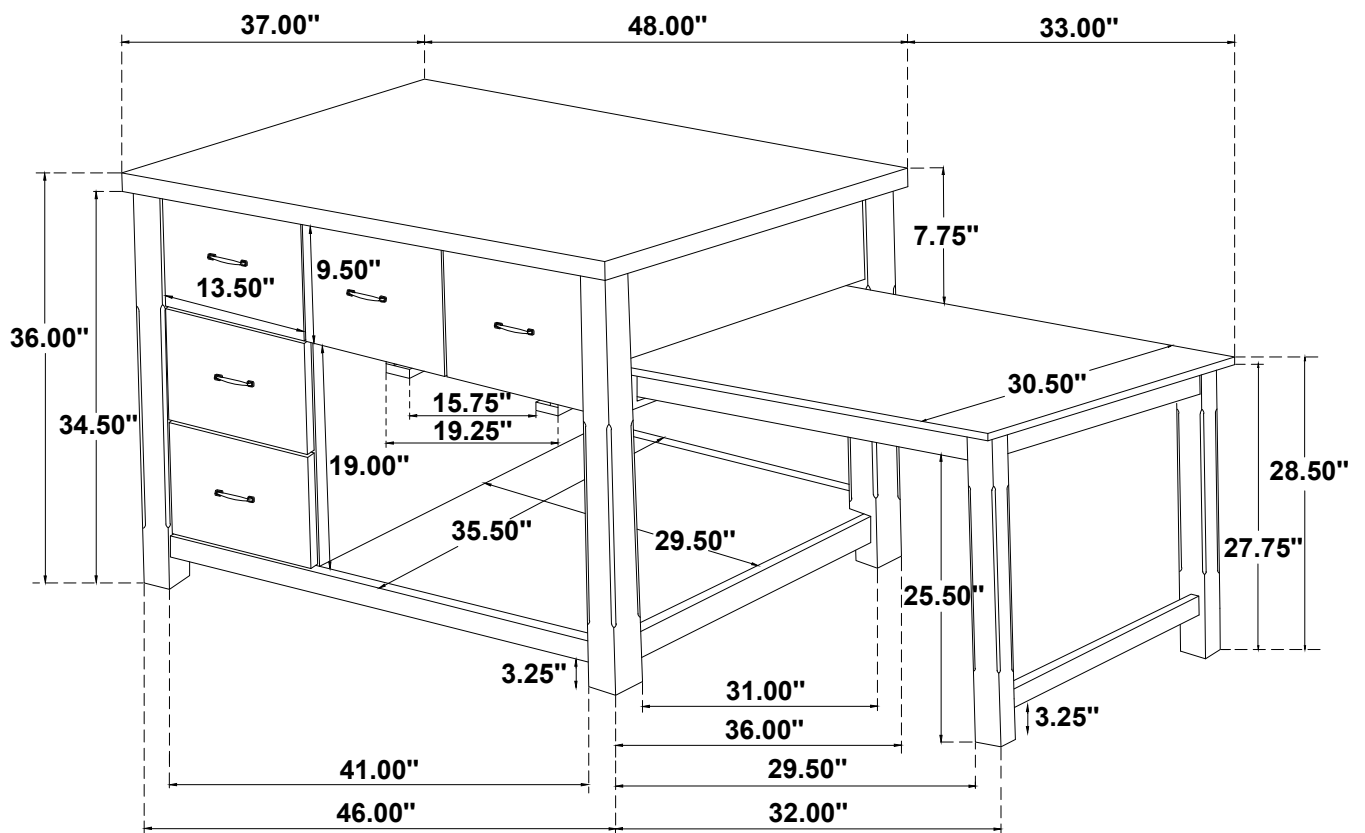
STEP 13



STEP 14
COMPLETE



ITEM: 182446 (B1-B3)



Note: Dimension tolerance $\pm 5\%$