

ASSEMBLY INSTRUCTIONS
COASTER FINE FURNITURE



Fine Furniture for every stage of life

710897
END TABLE

ITEM:710897

ASSEMBLY INSTRUCTIONS

ASSEMBLY TIPS:

1. Remove hardware from box and sort by size.
2. Please check to see that all hardware and parts are present prior to start of assembly.
3. Please follow attached instructions in the same sequence as numbered to assure fast & easy assembly.



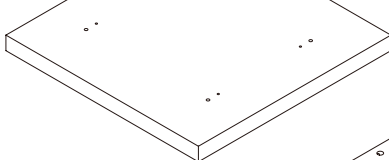
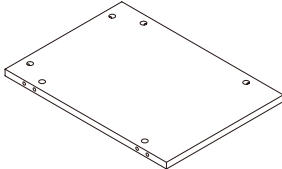
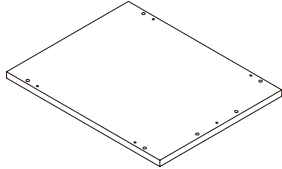
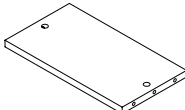
WARNING!

1. Don't attempt to repair or modify parts that are broken or defective. Please contact the store immediately.
2. This product is for home use only and not intended for commercial establishments.

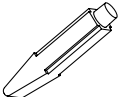

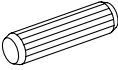

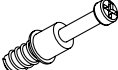
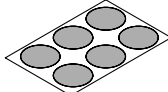
ASSEMBLY TIME

25 MINUTES

PARTS IDENTIFICATION

A	TOP		1 PC
B	SIDE PANEL		2 PCS
C	DIVIDER PANEL		2 PCS
D	BOTTOM PANEL		1 PC

HARDWARE IDENTIFICATION

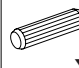
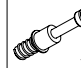


Z							
NO	DESCRIPTION	FIGURE	Q'TY	NO	DESCRIPTION	FIGURE	Q'TY
1	GLUE 15g		1 PC	4	CAM LOCK Ø15x12mm SR		14 PCS
2	WOODEN DOWEL Ø8x30mm		16 PCS	5	PLASTIC FEET Ø15mm		4 PCS
3	CAM BOLT Ø7x35.5mm SR		14 PCS	6	STICKER Ø20mm		2 PCS

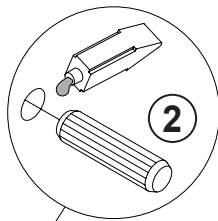
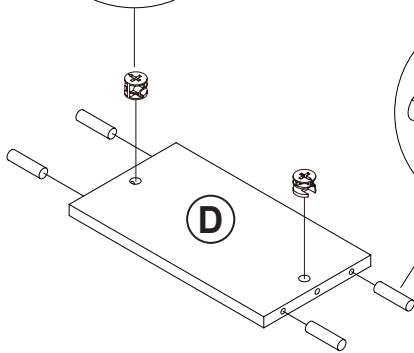
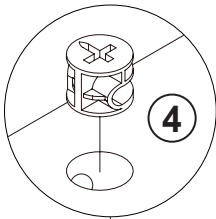
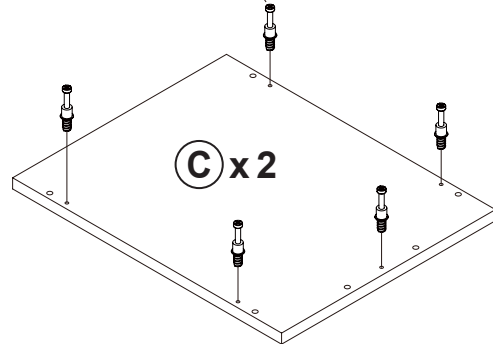
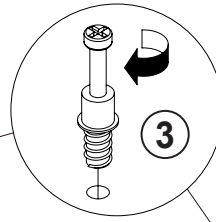
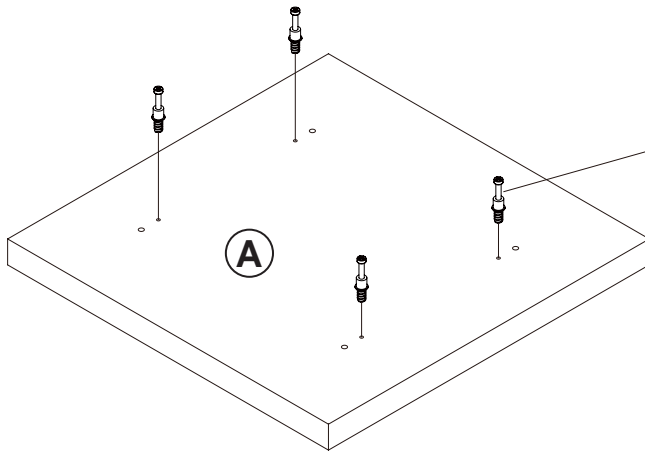
NOTE:

Phillips head screw driver is required in the assembly process; however, manufacturer does not provide this item.

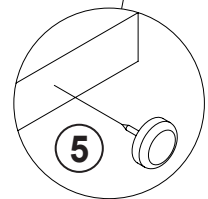
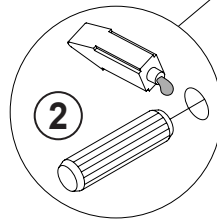
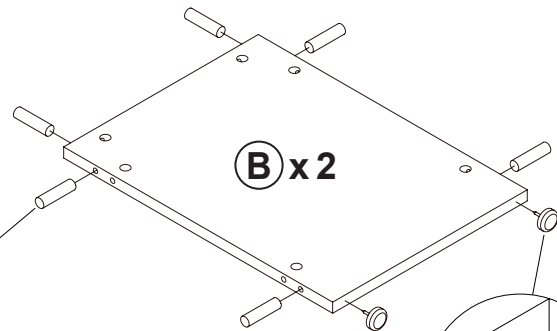
ITEM: 710897

STEP 1

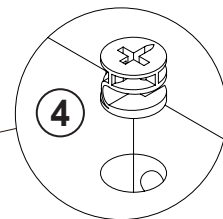
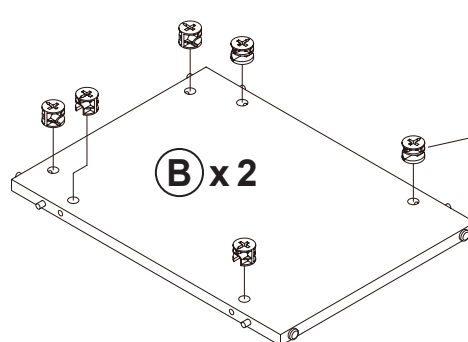
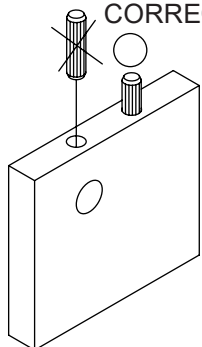
-  **2**
x 16
-  **3**
x 14
-  **4**
x 14
-  **5**
x 4



Apply glue on all wooden dowels to ensure integrity of the structure.

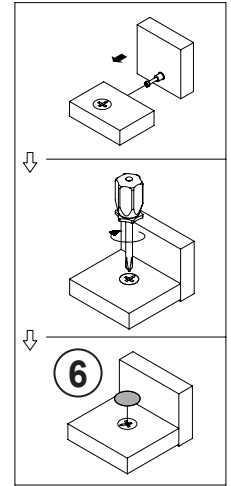
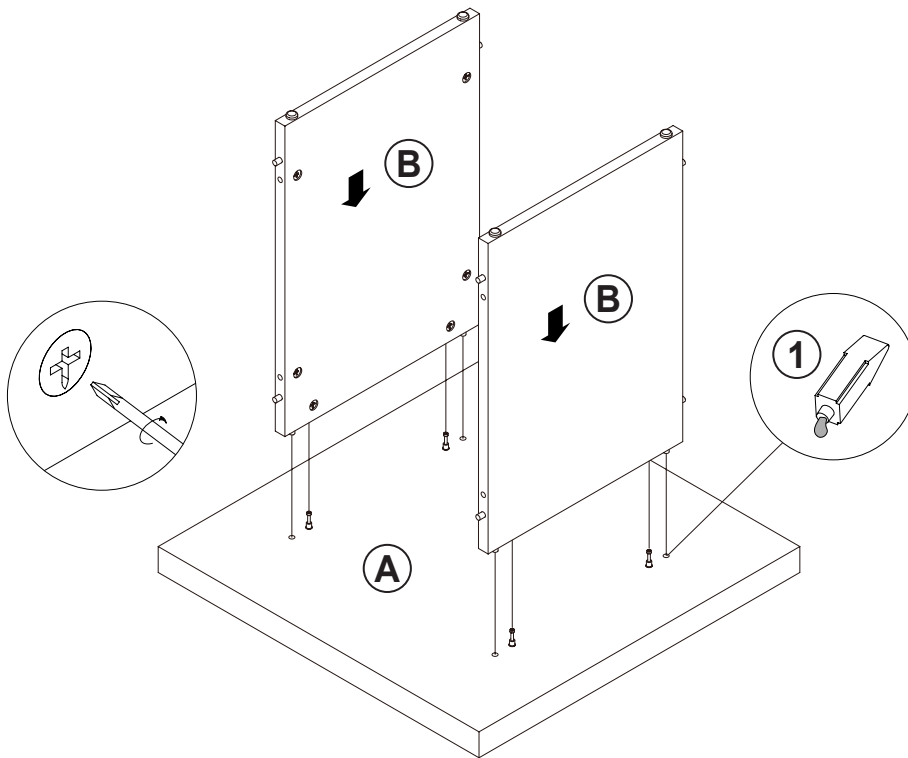
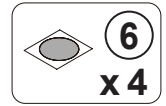


INCORRECT
CORRECT

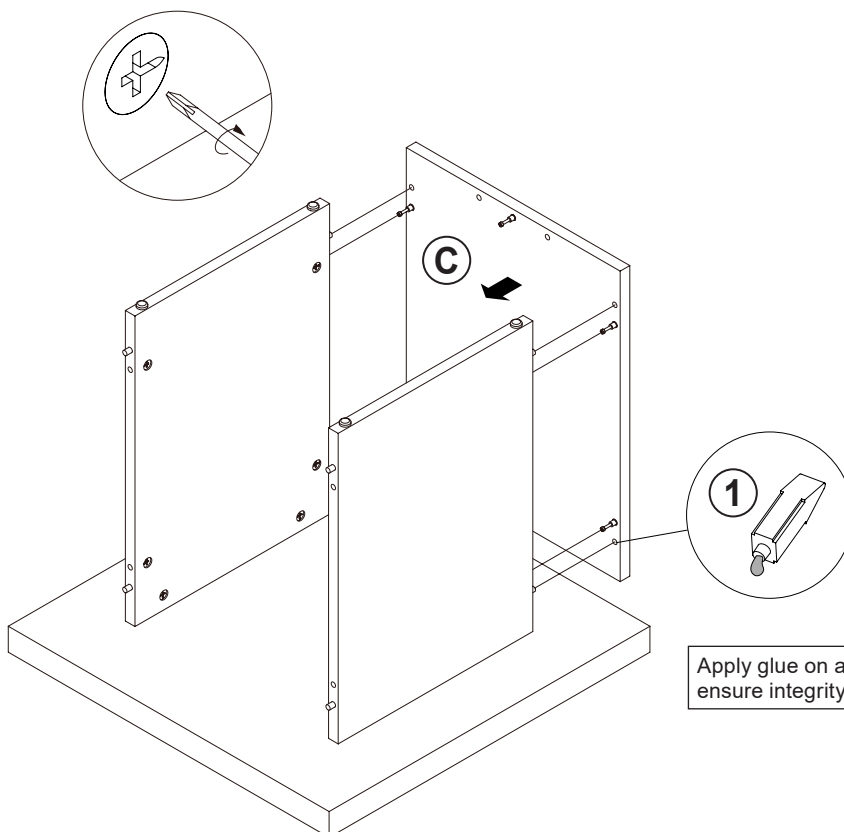
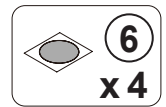


ITEM: 710897

STEP 2



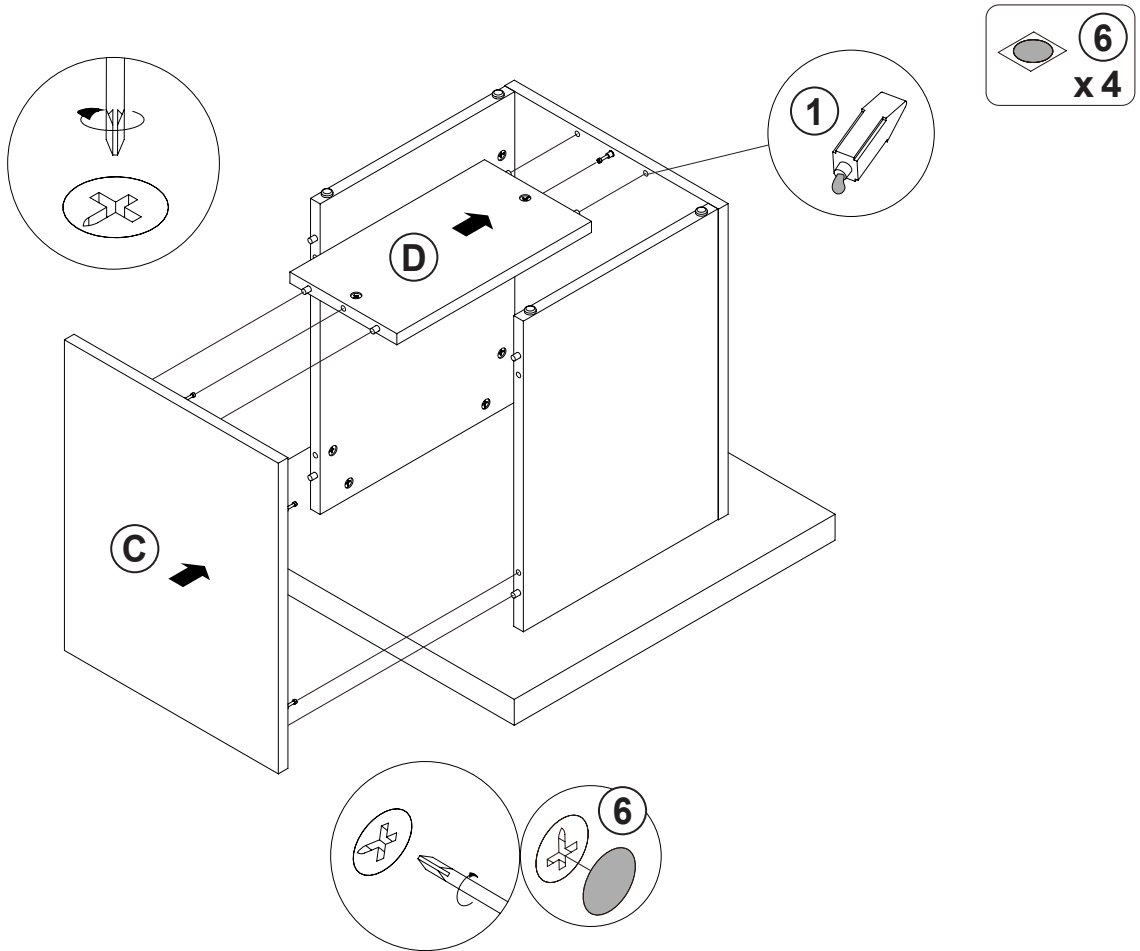
STEP 3



Apply glue on all wooden dowels to ensure integrity of the structure.

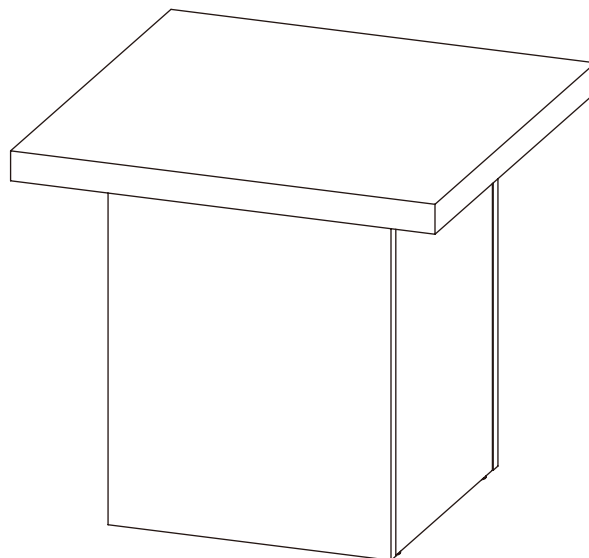
ITEM: 710897

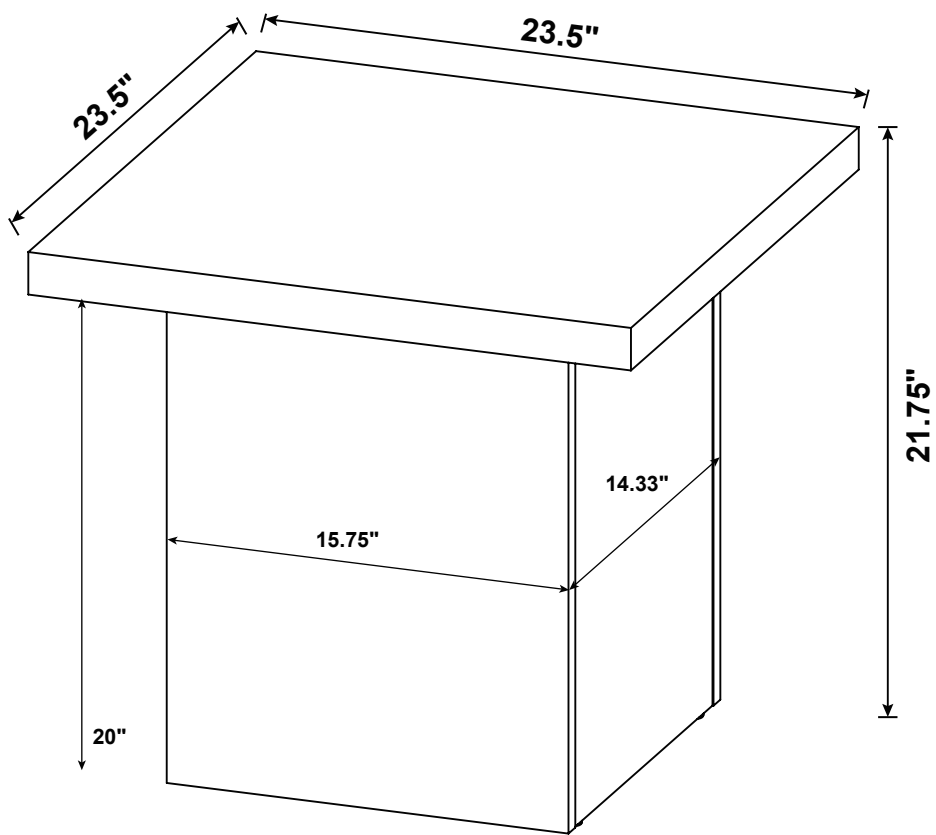
STEP 4



STEP 5

COMPLETE





Note : Dimension tolerance $\pm 5\%$