

ASSEMBLY INSTRUCTIONS
COASTER FINE FURNITURE



Fine Furniture for every stage of life

401980T(B1-B3)
Twin Bed

ITEM:401980T(B1-B3)



ASSEMBLY INSTRUCTIONS

ASSEMBLY TIPS:

1. Remove hardware from box and sort by size.
2. Please check to see that all hardware and parts are present prior to start of assembly.
3. Please follow attached instructions in the same sequence as numbered to assure fast & easy assembly.



WARNING!

1. Don't attempt to repair or modify parts that are broken or defective. Please contact the store immediately.
2. This product is for home use only and not intended for commercial establishments.

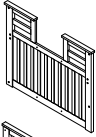

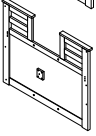
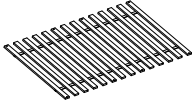



ASSEMBLY TIME

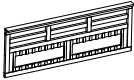

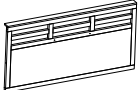











30 MINUTES

PARTS IDENTIFICATION

B1 (BOX 1)

<p>A LEFT BED END</p>		1PC	<p>D LADDER STEP</p>		2PCS
<p>B RIGHT BED END</p>		1PC	<p>E ROLL SLAT (14PCS)</p>		1SET
<p>C LADDER STILE</p>		2PCS			

B2 (BOX 2)

<p>F FRONT FRAME</p>		1PC	<p>M DRAWER FRONT PANEL</p>		2PCS
<p>G BACK FRAME</p>		1PC	<p>N DRAWER BACK PANEL</p>		2PCS
<p>H SIDE RAIL</p>		2PCS	<p>O DRAWER LEFT PANEL</p>		2PCS
<p>I CENTER RAIL</p>		1PC	<p>P DRAWER RIGHT PANEL</p>		2PCS
<p>J DRAWER FRONT RAIL</p>		1PC	<p>Q DRAWER SUPPORT RAIL</p>		2PCS
<p>K DRAWER SUPPORT BAR</p>		3PCS	<p>R DRAWER BOTTOM PANEL</p>		2PCS
<p>L DRAWER SUPPORT SLAT</p>		2PCS	<p>Y1 HANDLE WITH BOLT</p>		2SETS

ITEM: 401980T(B1-B3)



ASSEMBLY INSTRUCTIONS

ASSEMBLY TIPS:







1. Remove hardware from box and sort by size.
2. Please check to see that all hardware and parts are present prior to start of assembly.
3. Please follow attached instructions in the same sequence as numbered to assure fast & easy assembly.



WARNING!







1. Don't attempt to repair or modify parts that are broken or defective. Please contact the store immediately.
2. This product is for home use only and not intended for commercial establishments.

B3 (BOX 3)




S	TRUNDLE FRONT PANEL		1PC	V	TRUNDLE ROLL SLAT (12PCS)		1SET
T	TRUNDLE BACK PANEL		1PC	W	CASTER WITH SCREW		8SETS
U	TRUNDLE SLAT		2PCS	Y2	HANDLE WITH BOLT		2SETS

HARDWARE IDENTIFICATION

Z-B2 (BOX2) - HARDWARE PACK IS LOCATED IN 401980T(B2)

1	LONG BOLT (1/4x 80mm - BLK)		16PCS	4	FLAT HEAD SCREW (4 x 35mm - BLK)		32PCS
2	BARREL NUT (1/4x 12mm BLK)		16PCS	5	WOOD DOWEL (10 x 40mm)		8PCS
3	SHORT BOLT (1/4x 30mm - BLK)		28PCS	6	ALLEN WRENCH (4 x 57MM - BLK)		1PC

Z-B3 (BOX3) - HARDWARE PACK IS LOCATED IN 401980T(B3)

7	SHORT BOLT (1/4 x 30mm - BLK)		4PCS	9	ALLEN WRENCH (4 x 57MM - BLK)		1PC
8	FLAT HEAD SCREW (4 x 35mm - BLK)		24PCS				

NOTE:

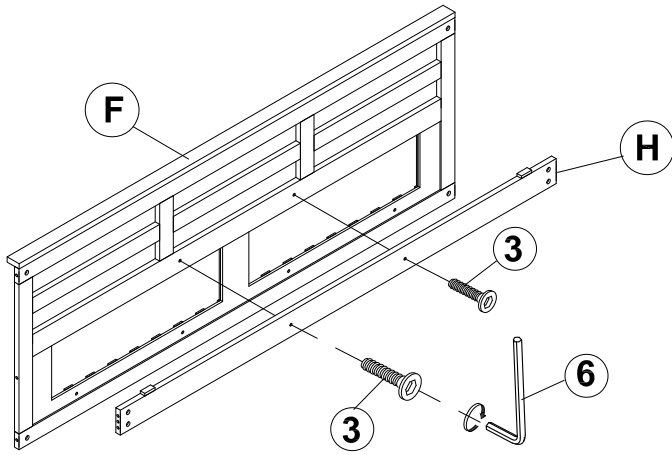
Phillips head screw driver is required in the assembly process; however, manufacturer does not provide this item.

ITEM: 401980T(B1-B3)

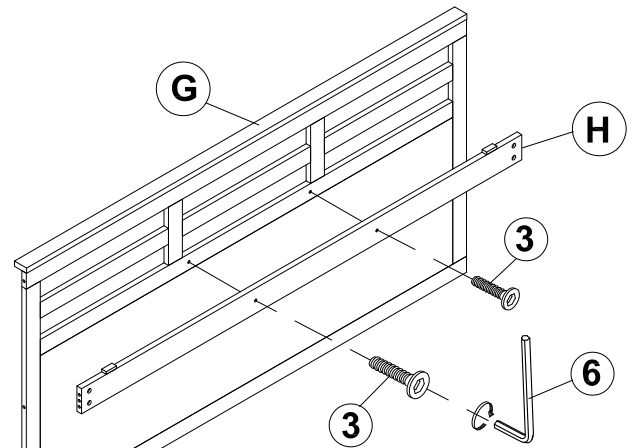
ASSEMBLY INSTRUCTIONS



STEP 1

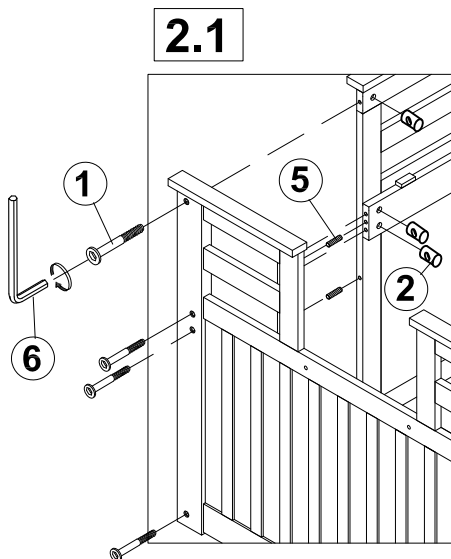


1.1

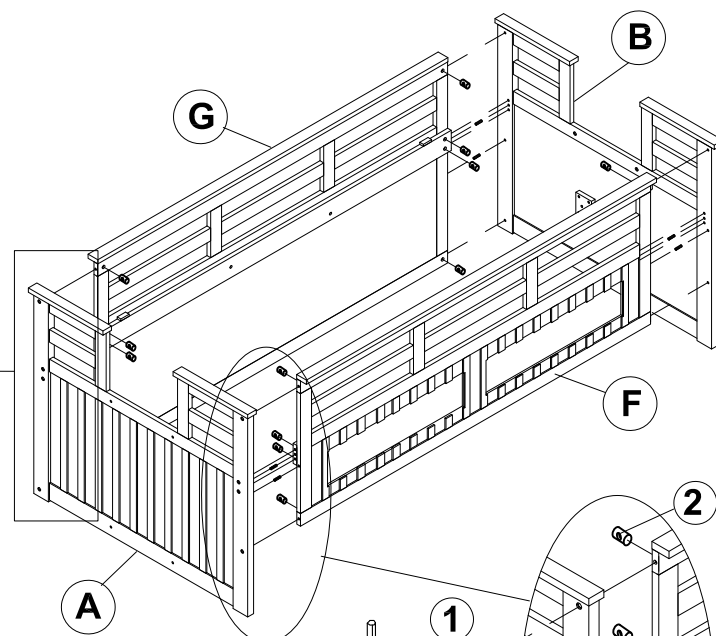


1.2

STEP 2



2.1



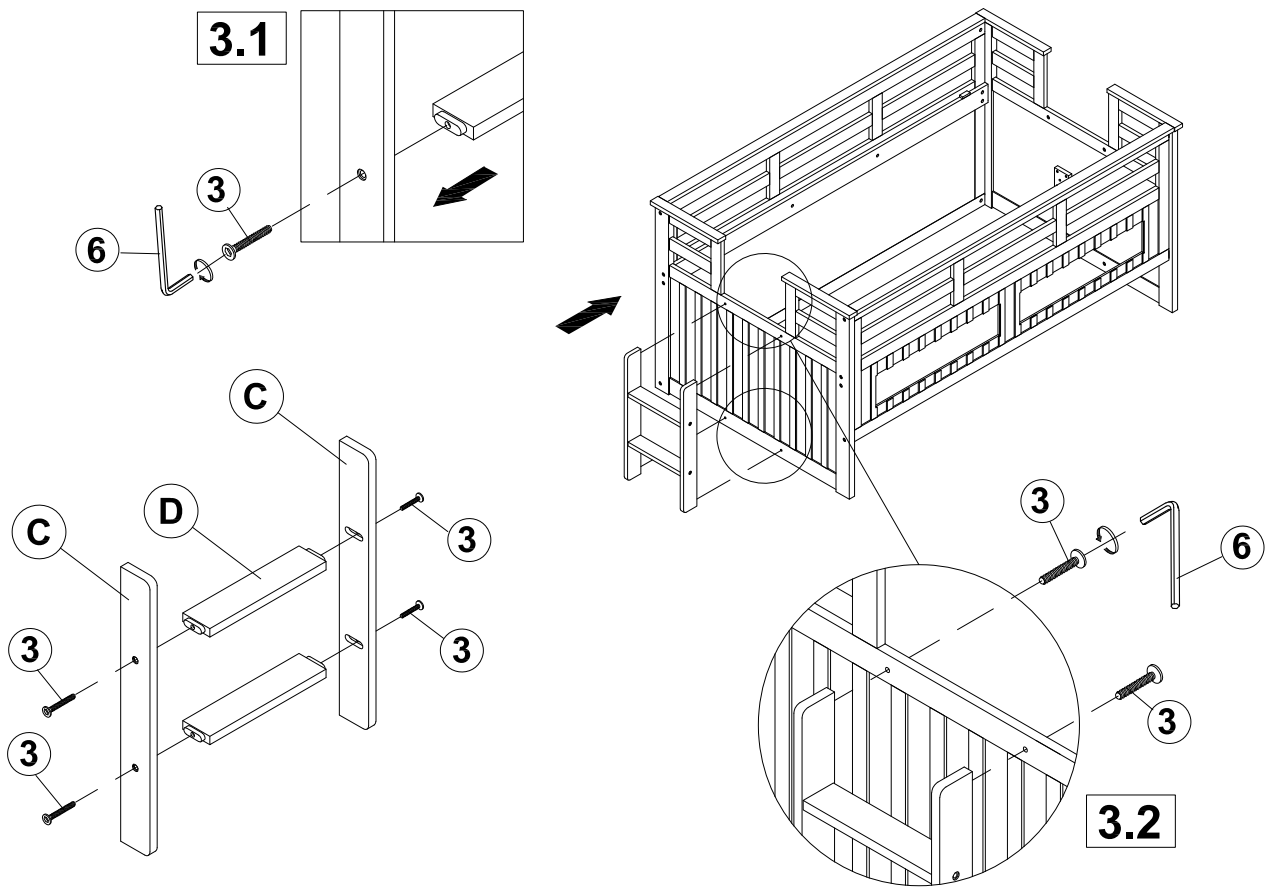
2.2

ITEM: 401980T(B1-B3)

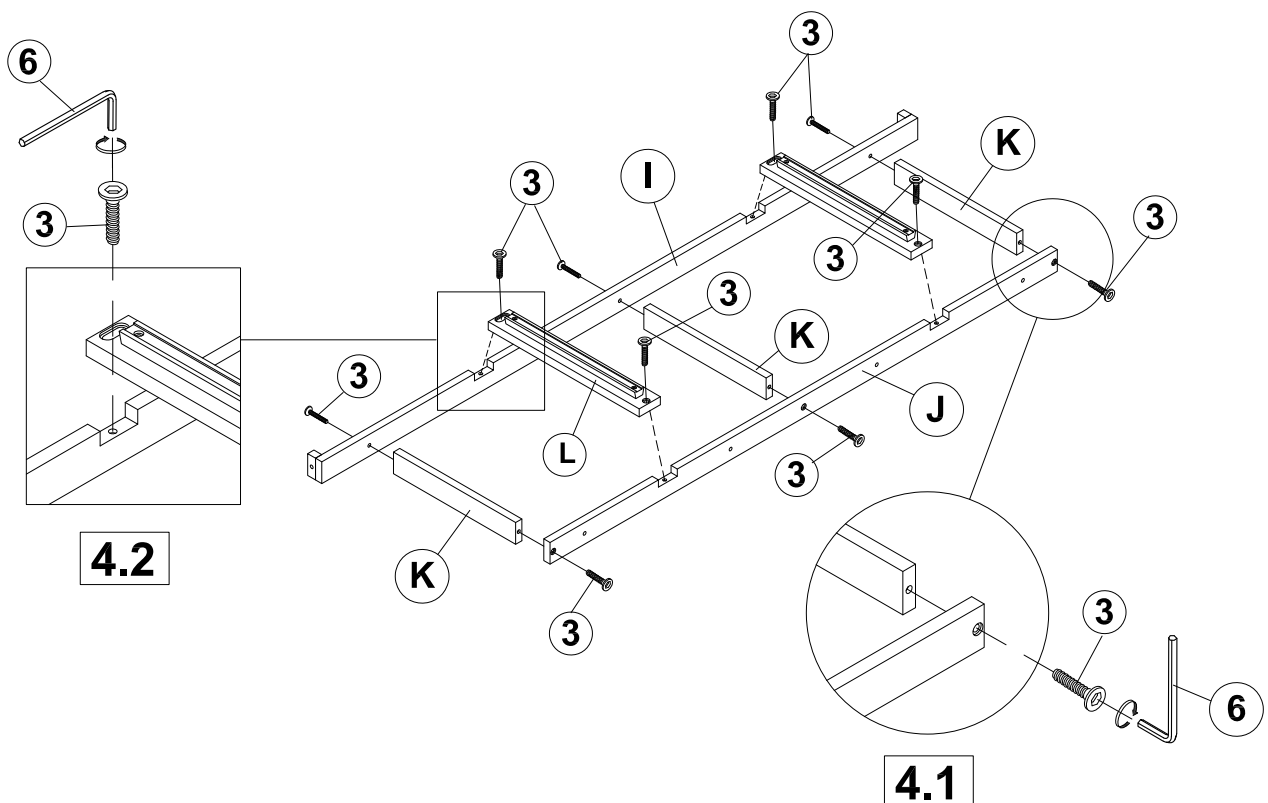
ASSEMBLY INSTRUCTIONS



STEP 3



STEP 4

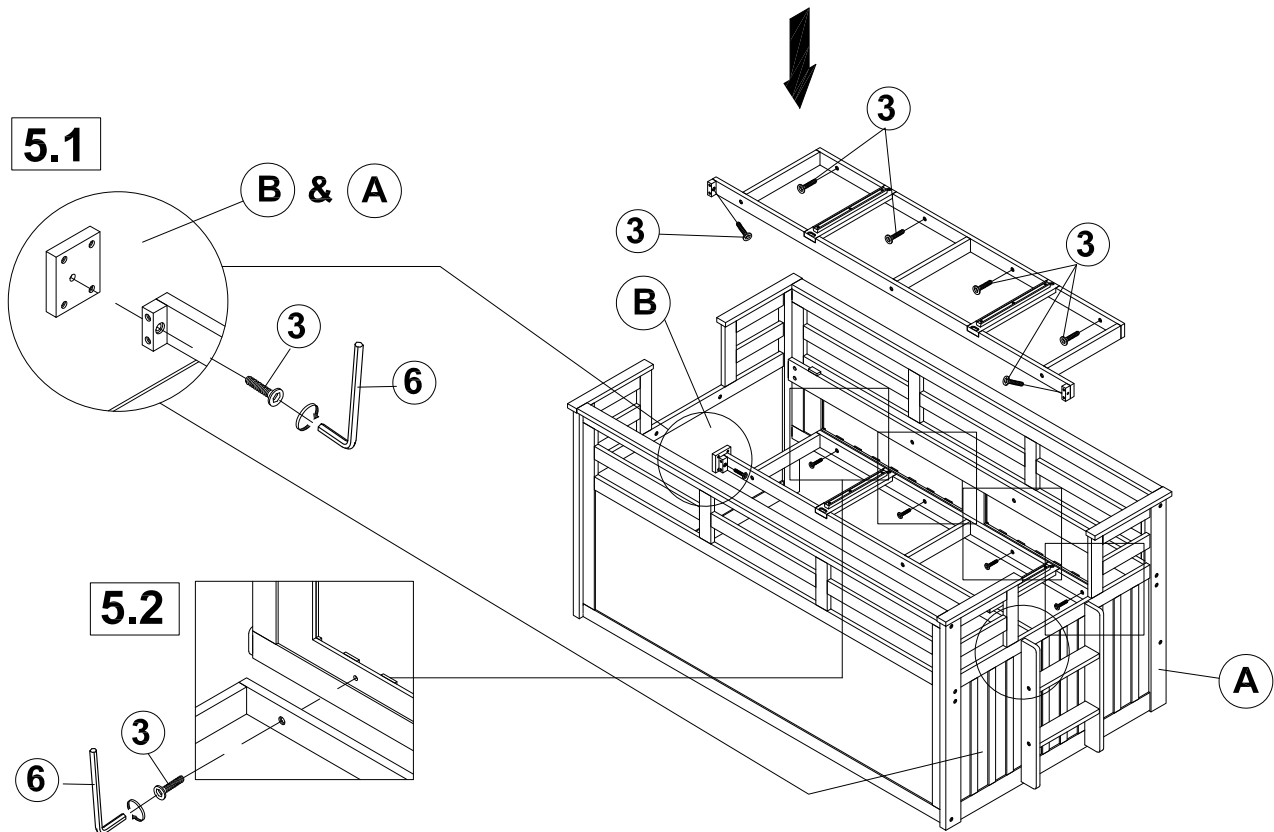


ITEM: 401980T(B1-B3)

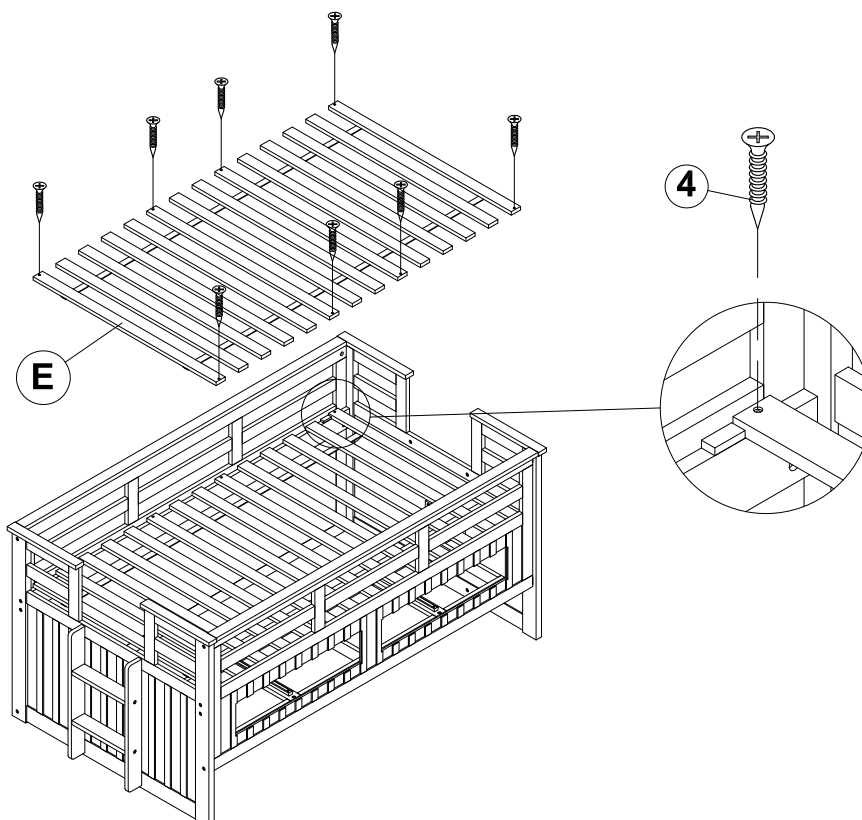
ASSEMBLY INSTRUCTIONS



STEP 5



STEP 6

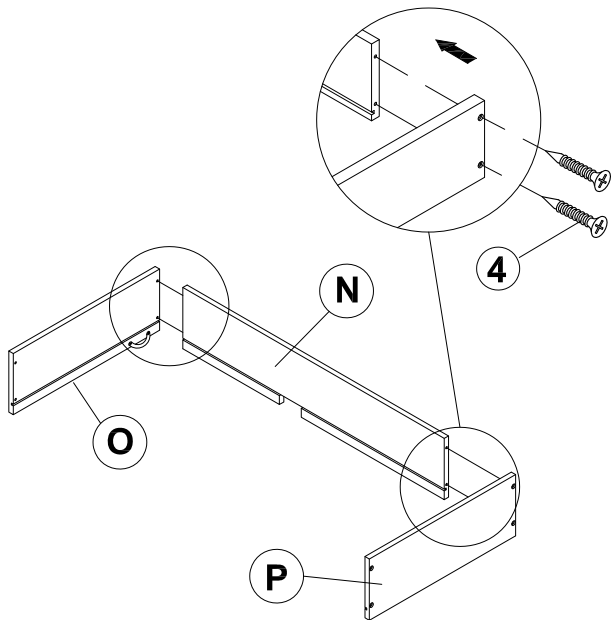


ITEM: 401980T(B1-B3)

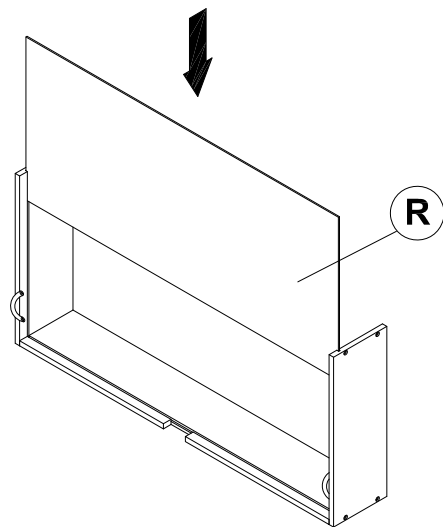
ASSEMBLY INSTRUCTIONS



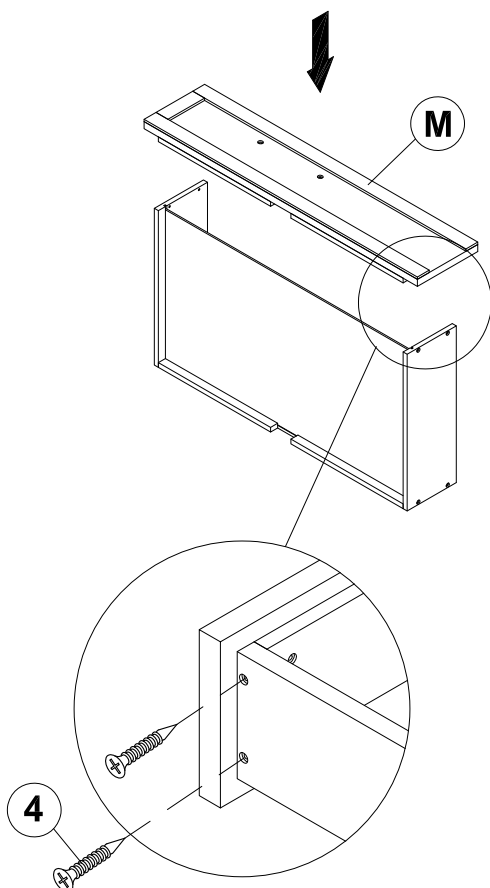
STEP 7



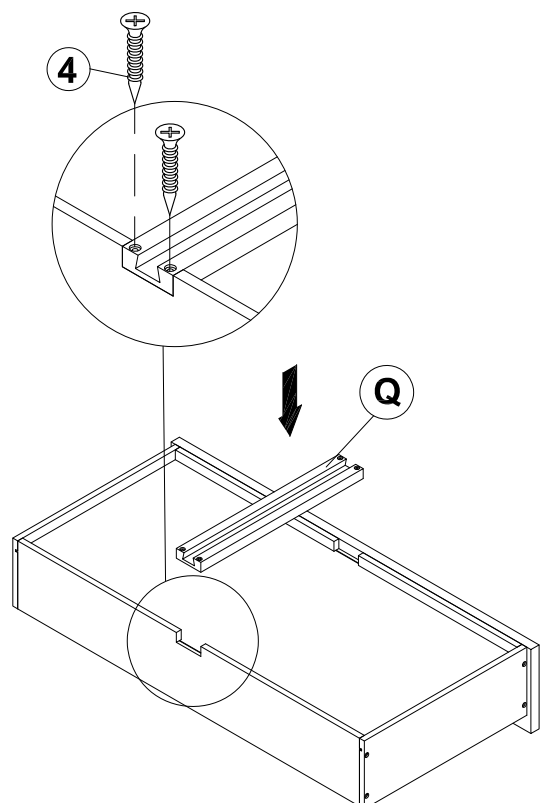
STEP 8



STEP 9



STEP 10

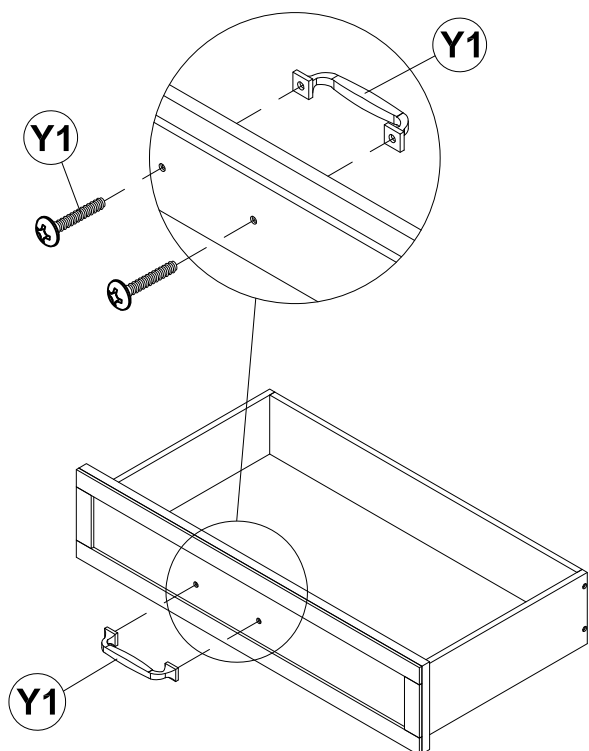


ITEM: 401980T(B1-B3)

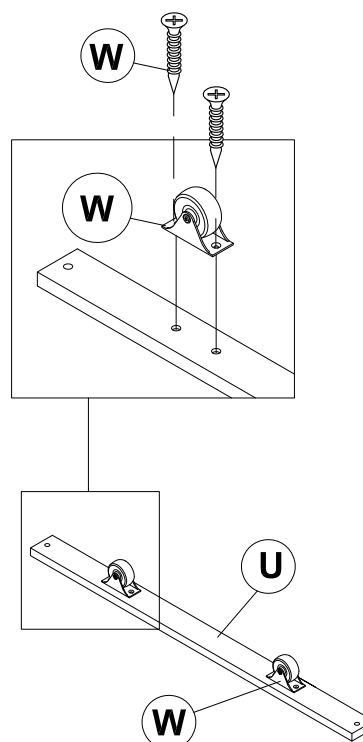
ASSEMBLY INSTRUCTIONS



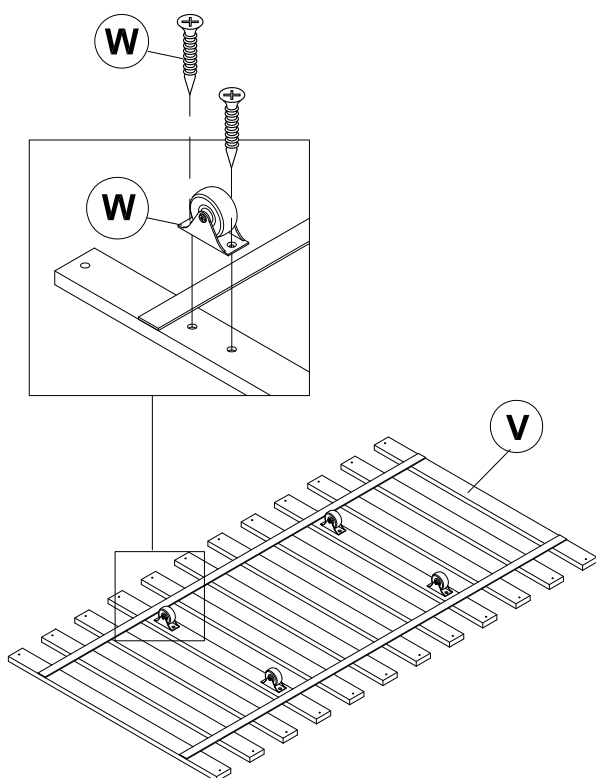
STEP 11



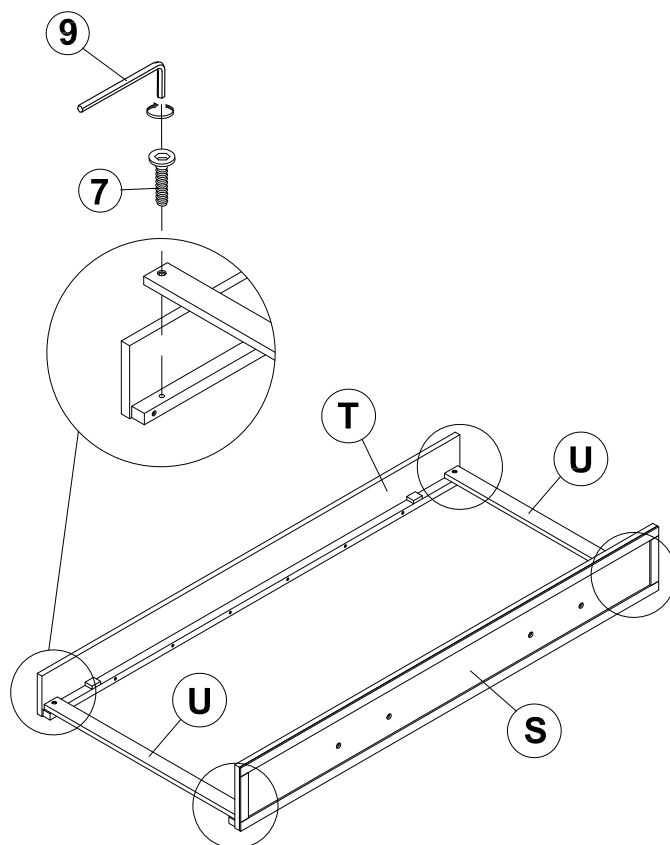
STEP 12



STEP 13



STEP 14

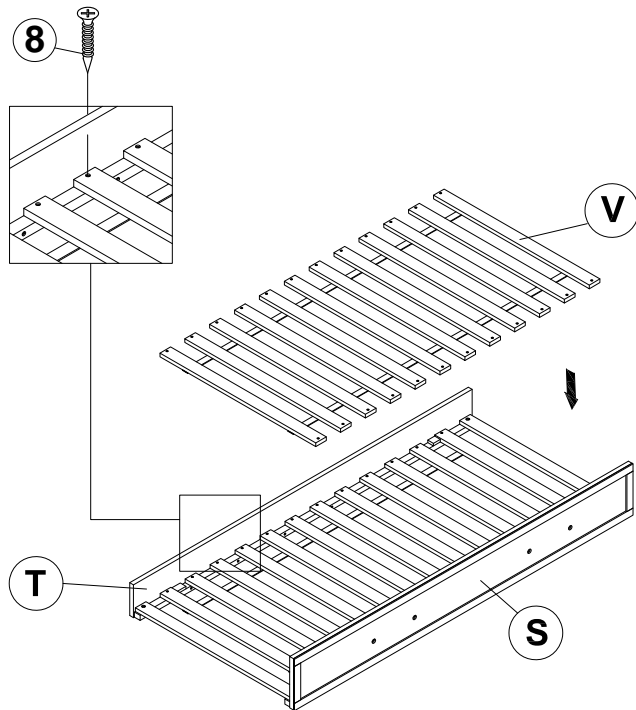


ITEM: 401980T(B1-B3)

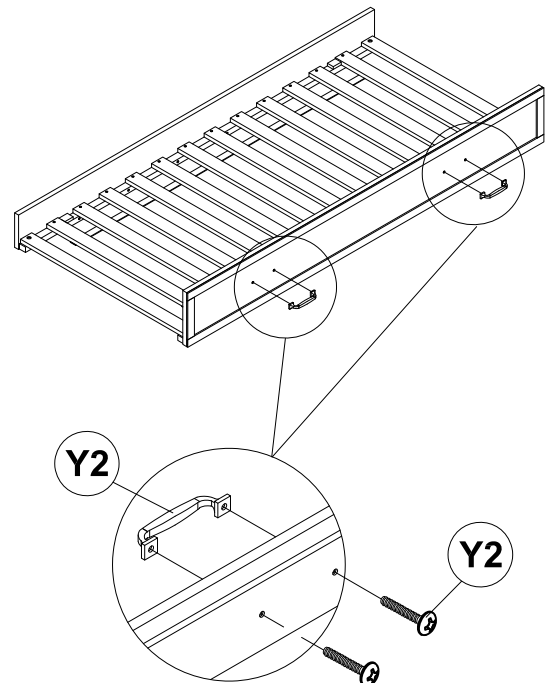
ASSEMBLY INSTRUCTIONS



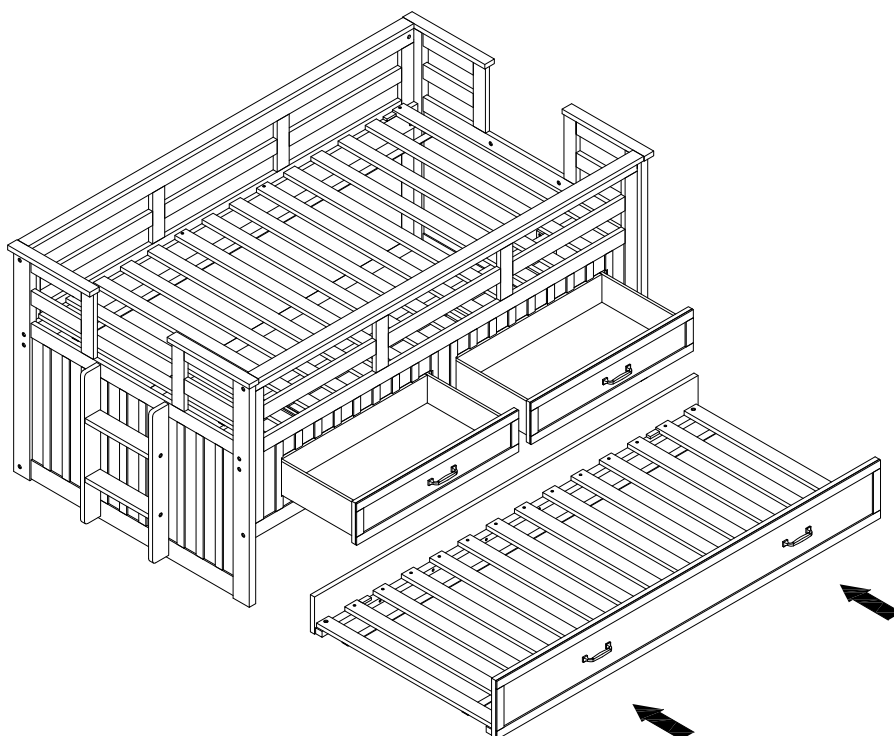
STEP 15



STEP 16



STEP 17 COMPLETE



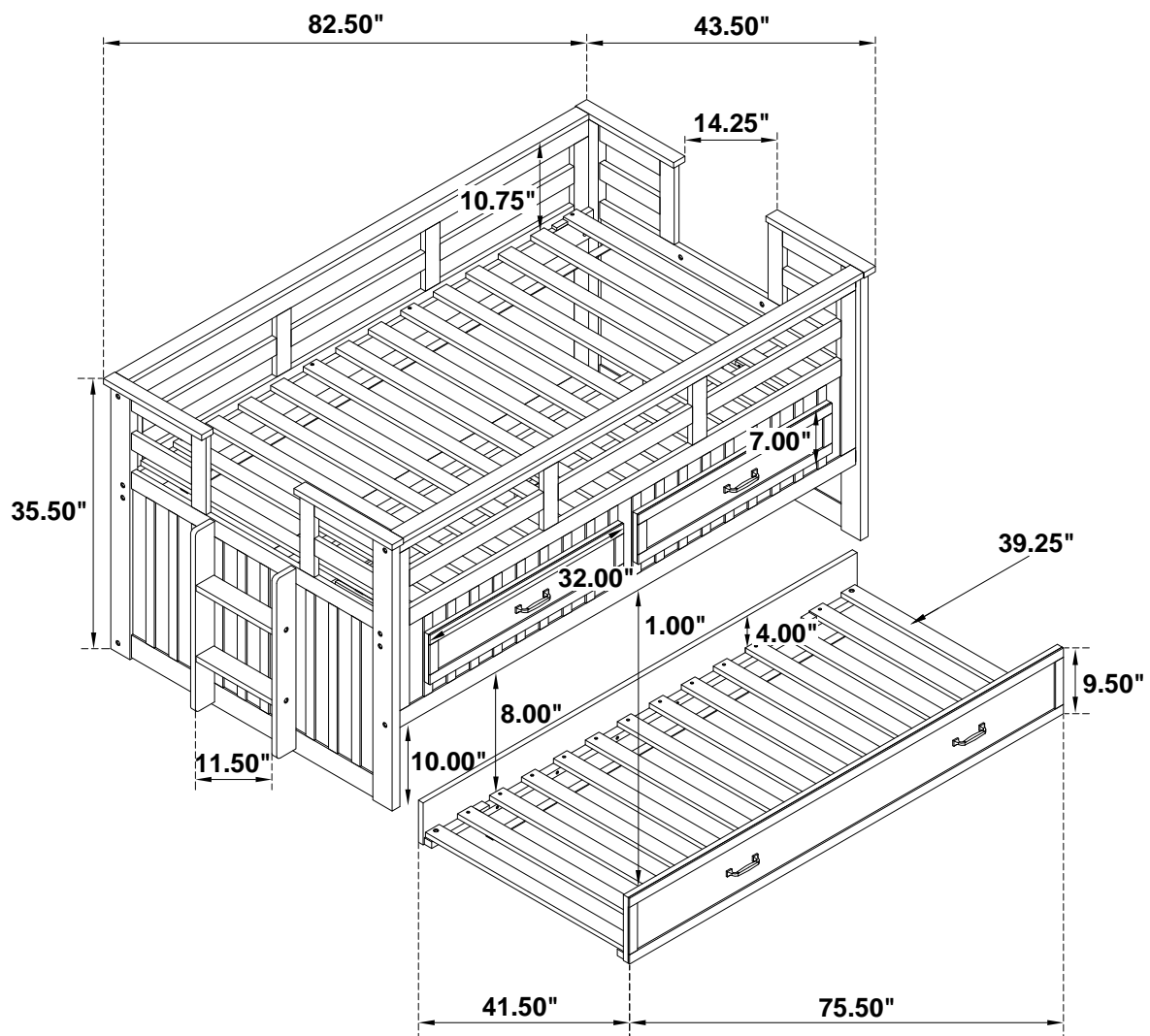
ITEM: **401980T(B1-B3)**



Inner Size: 76.00"W x 39.00"D

Trundle Inner Size: 75.50"W x 41.50"D

Inner Size of drawer: 28.50"W x 14.50"D x 4.50"H x 0.50"T



Note: Dimension tolerance $\pm 5\%$