

ASSEMBLY INSTRUCTIONS
COASTER FINE FURNITURE



Fine Furniture for every stage of life

225061T (B1 & B2)
Twin Bed

ITEM: 225061T (B1&B2)



ASSEMBLY INSTRUCTIONS

ASSEMBLY TIPS:

1. Remove hardware from box and sort by size.
2. Please check to see that all hardware and parts are present prior to start of assembly.
3. Please follow attached instructions in the same sequence as numbered to assure fast & easy assembly.



WARNING!

1. Don't attempt to repair or modify parts that are broken or defective. Please contact the store immediately.
2. This product is for home use only and not intended for commercial establishments.



ASSEMBLY TIME

20 MINUTES

PARTS IDENTIFICATION

B1 (BOX 1)

A	HEADBOARD PANEL		1PC	D	RIGHT HEADBOARD LEG		1PC
B	FOOTBOARD PANEL		1PC	E	FOOTBOARD SUPPORT BAR		1PC
C	LEFT HEADBOARD LEG		1PC	F	BED SLAT		4PCS

B2 (BOX 2)

G	LEFT BED RAIL		1PC	I	FOOTBOARD LEG		2PCS
H	RIGHT BED RAIL		1PC				
HB	225061T(B1) FROM BOX 1 HEADBOARD COMPLETE		1PC	FB	225061T(B1) FROM BOX 1 FOOTBOARD PANEL		1PC

NOTE:

Phillips head screw driver is required in the assembly process; however, manufacturer does not provide this item.

ITEM: 225061T (B1&B2)



ASSEMBLY INSTRUCTIONS

ASSEMBLY TIPS:

1. Remove hardware from box and sort by size.
2. Please check to see that all hardware and parts are present prior to start of assembly.
3. Please follow attached instructions in the same sequence as numbered to assure fast & easy assembly.

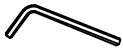

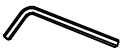

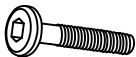


WARNING!

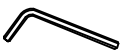

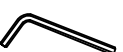



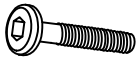

1. Don't attempt to repair or modify parts that are broken or defective. Please contact the store immediately.
2. This product is for home use only and not intended for commercial establishments.

HARDWARE IDENTIFICATION

Z-B1 (BOX 1) - HARDWARE PACK IS LOCATED IN 225061T (B1)

1	SMALL ALLEN WRENCH (M4 x 65mm - BLK)		1PC	4	LOCK WASHER (1/4" - BLK)		6PCS
2	BIG ALLEN WRENCH (M5 x 65mm - BLK)		1PC	5	FLAT WASHER (1/4" ID x 13mm - BLK)		6PCS
3	SHORT BOLT (M6 x 35mm - BLK)		6PCS				

Z-B2 (BOX 2) - HARDWARE PACK IS LOCATED IN 225061T (B2)

6	SMALL ALLEN WRENCH (M4 x 65mm - BLK)		1PC	10	LOCK WASHER (1/4" - BLK)		6PCS
7	BIG ALLEN WRENCH (M5 x 65mm - BLK)		1PC	11	FLAT WASHER (1/4" ID x 13mm - BLK)		6PCS
8	LONG BOLT (M6 x 80mm - BLK)		2PCS	12	SHORT FLAT HEAD SCREW (M4 x 32mm - RBW)		8PCS
9	MEDIUM BOLT (M6 x 50mm - BLK)		4PCS	13	LONG FLAT HEAD SCREW (M4 x 50mm - RBW)		4PCS

NOTE:

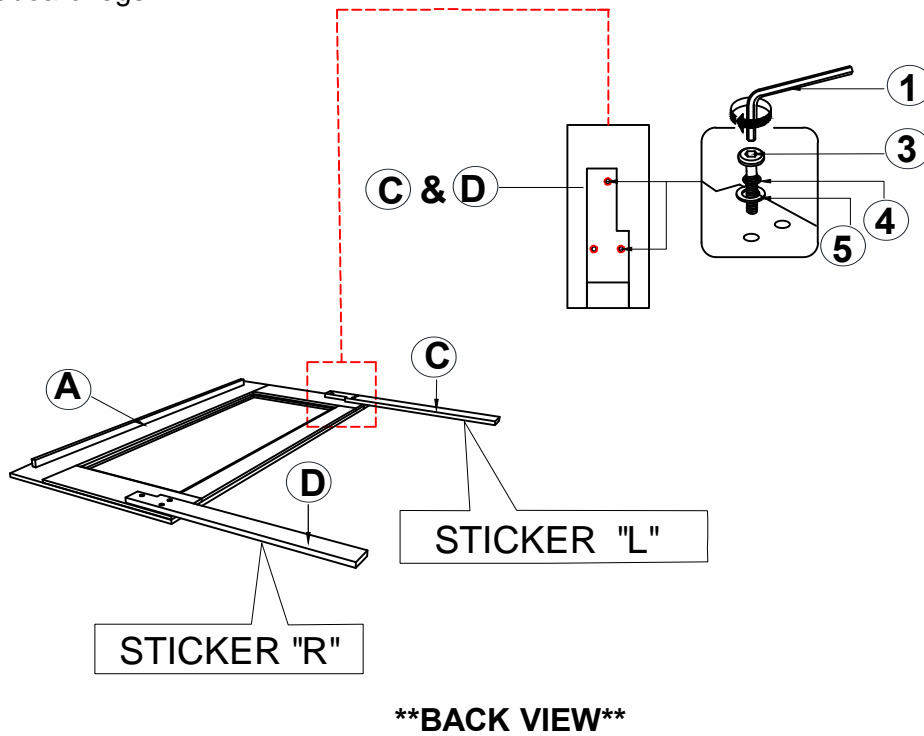
Phillips head screw driver is required in the assembly process; however, manufacturer does not provide this item.

ITEM: 225061T (B1&B2)

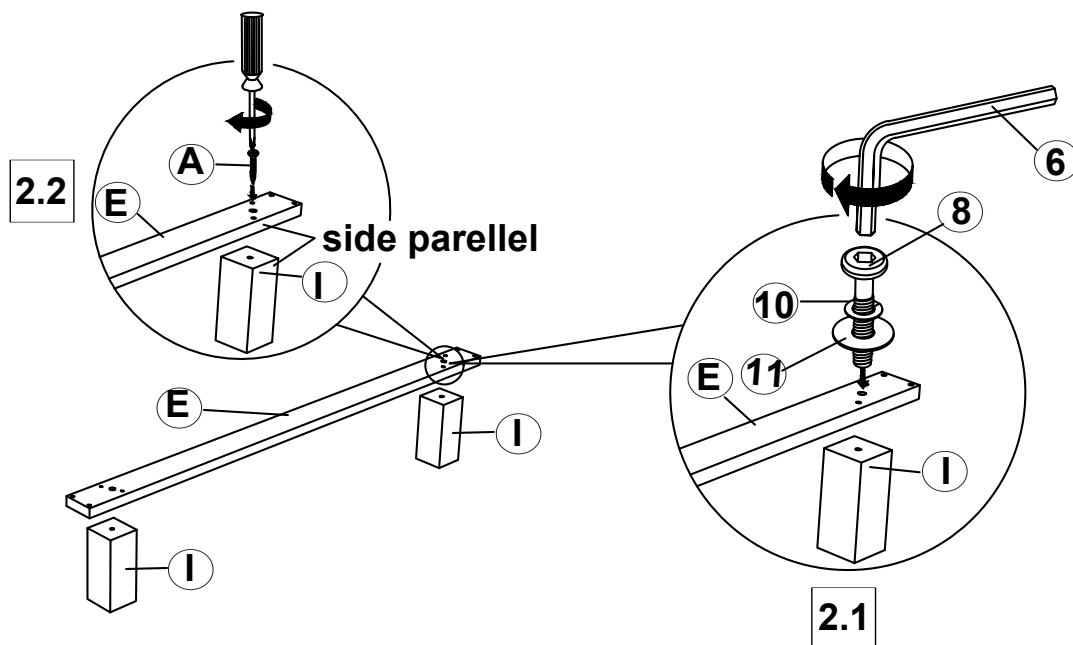
ASSEMBLY INSTRUCTIONS

STEP 1

Note : Please take note of the marking sticker (L&R) on the headboard legs.



STEP 2

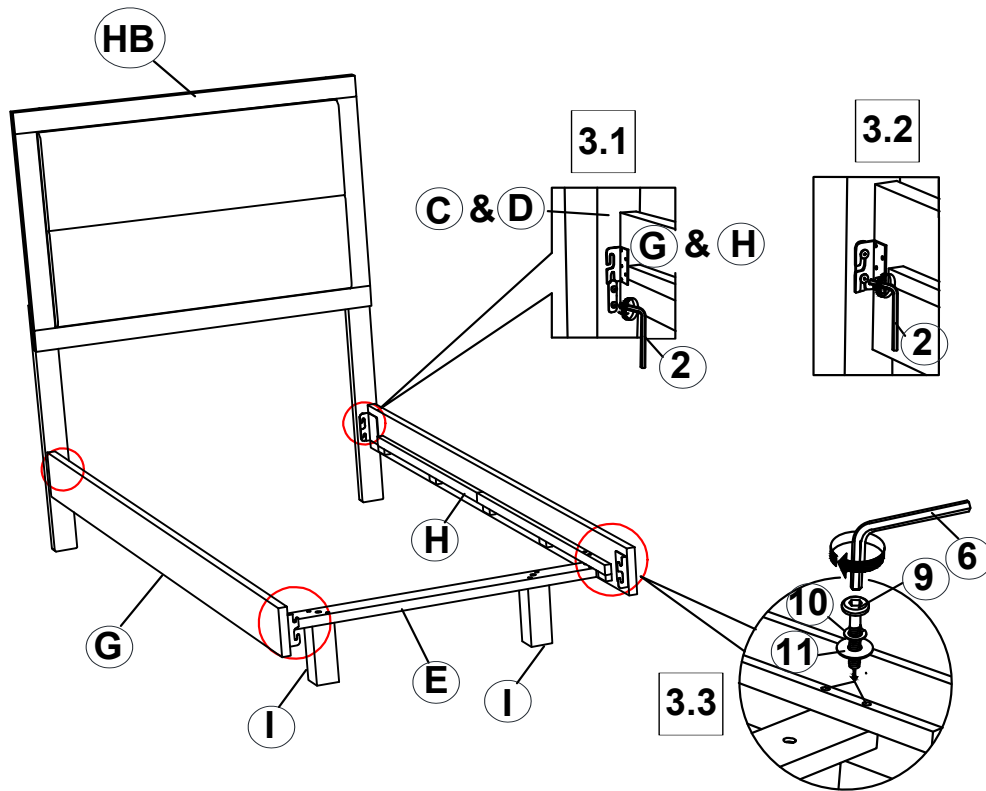


ITEM: **225061T (B1&B2)**

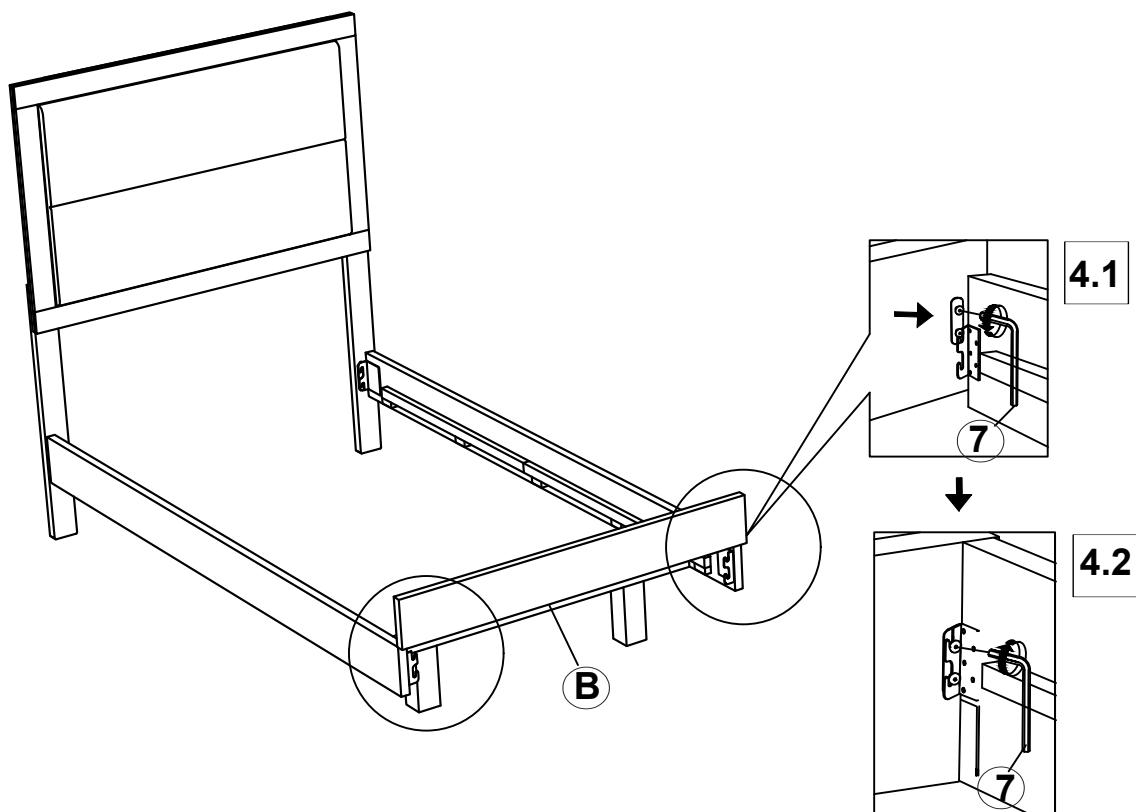


ASSEMBLY INSTRUCTIONS

STEP 3



STEP 4

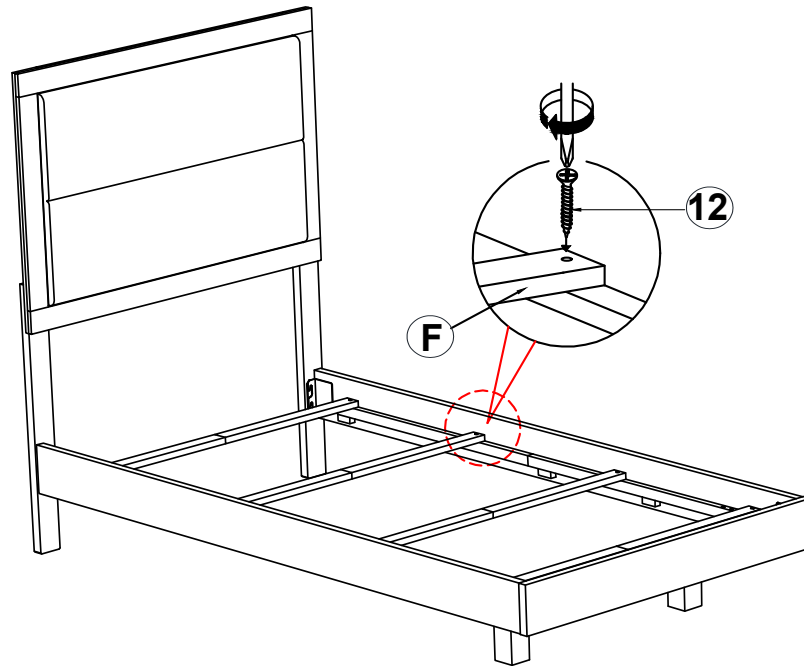


ITEM: **225061T (B1&B2)**



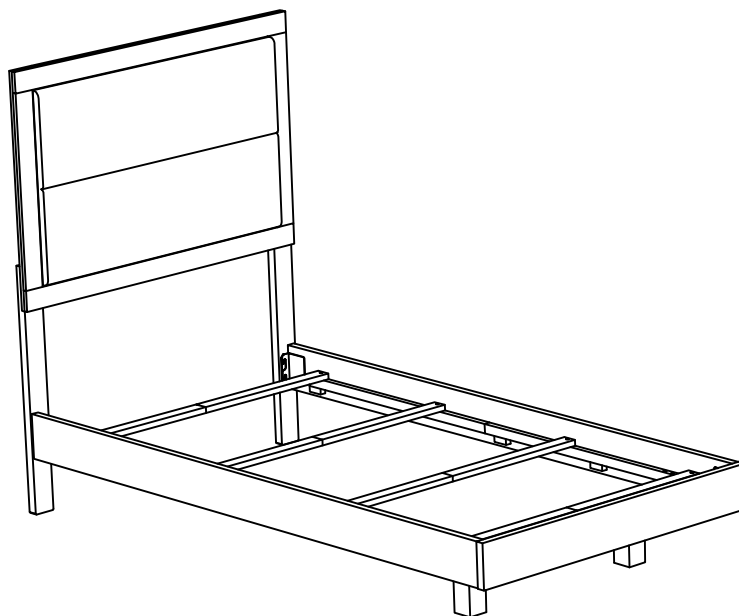
ASSEMBLY INSTRUCTIONS

STEP 5



STEP 6

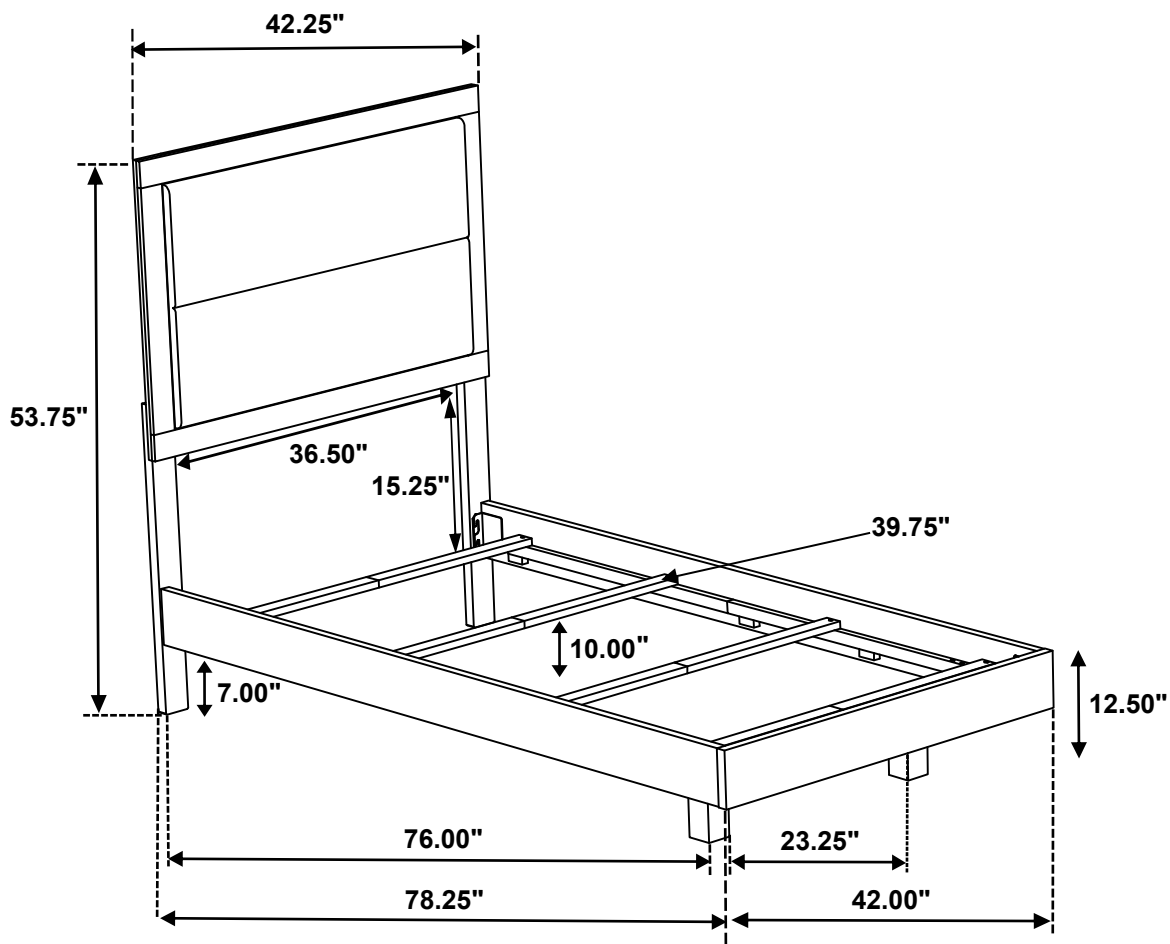
COMPLETE



ITEM: 225061T (B1&B2)

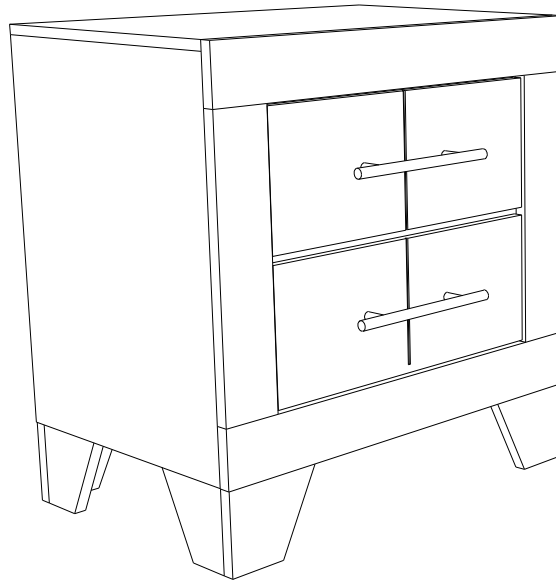


Inner Size : 39.75"W X 76.00"D



Note : Dimension tolerance $\pm 5\%$

ASSEMBLY INSTRUCTIONS
COASTER FINE FURNITURE



Fine Furniture for every stage of life

225062
Nightstand

ITEM: **225062**



ASSEMBLY INSTRUCTIONS

ASSEMBLY TIPS:

1. Remove hardware from box and sort by size.
2. Please check to see that all hardware and parts are present prior to start of assembly.
3. Please follow attached instructions in the same sequence as numbered to assure fast & easy assembly.



WARNING!

1. Don't attempt to repair or modify parts that are broken or defective. Please contact the store immediately.
2. This product is for home use only and not intended for commercial establishments.

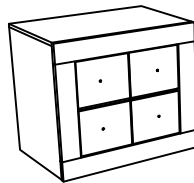


ASSEMBLY TIME

5 MINUTES

PARTS IDENTIFICATION

A NIGHTSTAND



1PC

B LEG WITH LABEL "R"



2PCS

C LEG WITH LABEL "L"



2PCS

HARDWARE IDENTIFICATION

1

BOLT
(M6 x 35mm - BLK)



4PCS

2

LOCK WASHER
(1/4" - BLK)



4PCS

3

FLAT WASHER
(1/4" ID x 19mm - BLK)



4PCS

4

WOOD DOWEL
(8 x 20mm)



4PCS

5

ALLEN WRENCH
(M4 x 60mm - BLK)



1PC

NOTE:

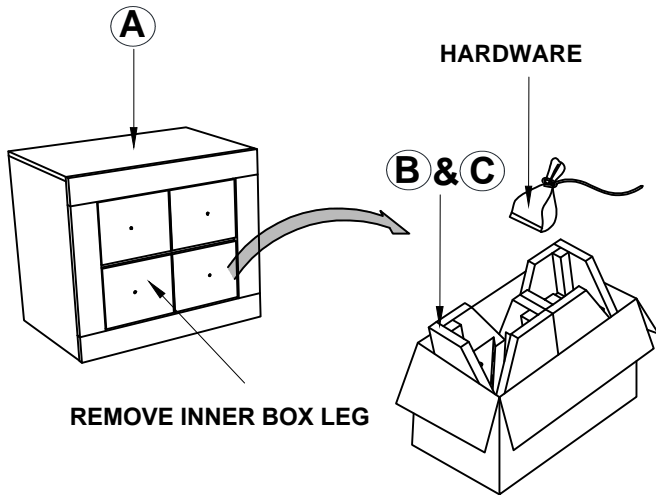
Phillips head screw driver is required in the assembly process; however, manufacturer does not provide this item.

ITEM: **225062**

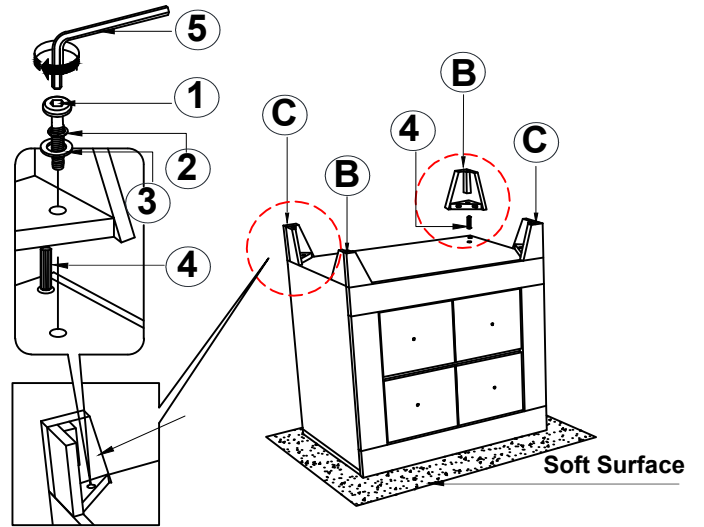
ASSEMBLY INSTRUCTIONS



STEP 1

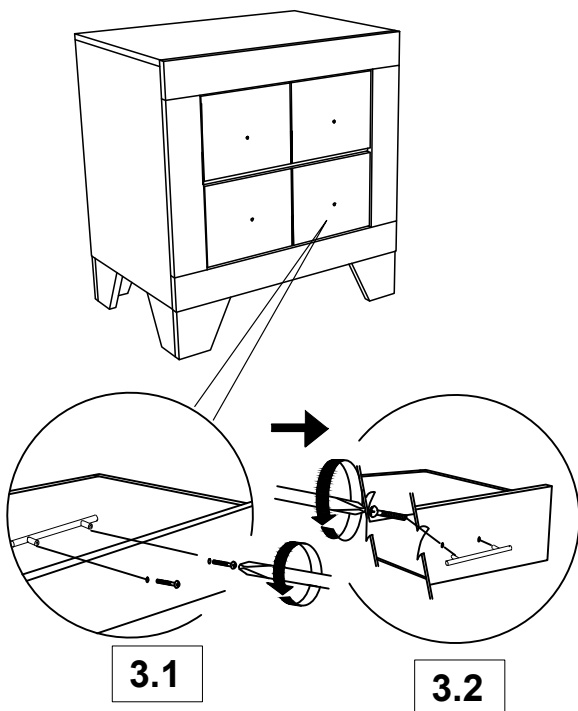


STEP 2



Bottom View

STEP 3

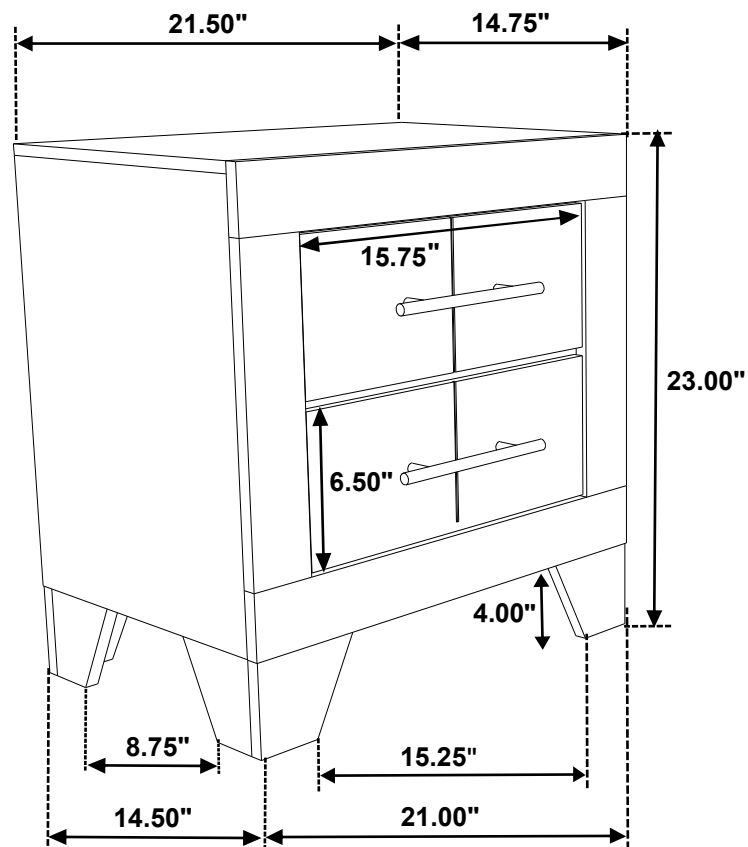


STEP 4 COMPLETE



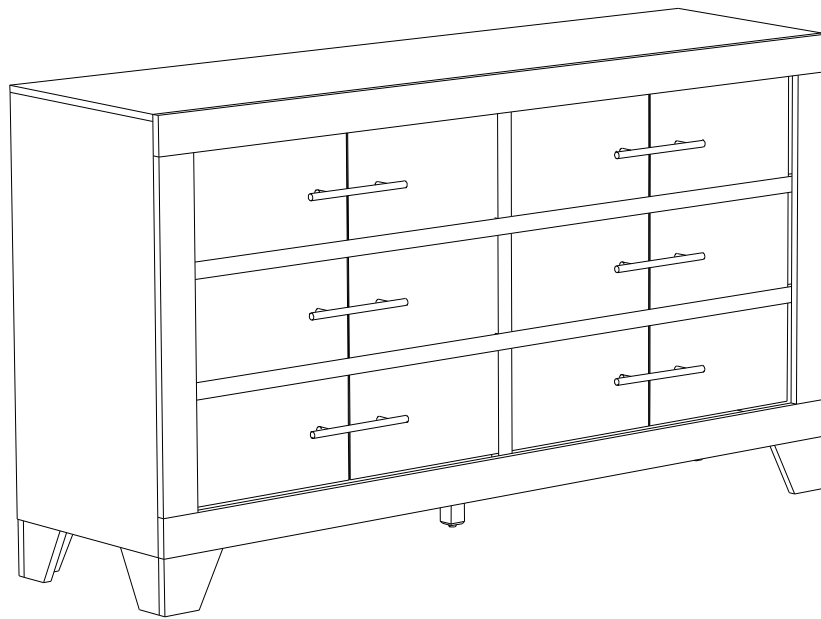
ITEM:225062

Inner Size of Drawer : 12.75"W x 11.25"D x 4.25"H x 0.25"T



Note : Dimension tolerance $\pm 5\%$

ASSEMBLY INSTRUCTIONS
COASTER FINE FURNITURE



Fine Furniture for every stage of life

225063
Dresser

ITEM: **225063**



ASSEMBLY INSTRUCTIONS

ASSEMBLY TIPS:

1. Remove hardware from box and sort by size.
2. Please check to see that all hardware and parts are present prior to start of assembly.
3. Please follow attached instructions in the same sequence as numbered to assure fast & easy assembly.



WARNING!

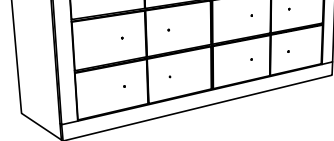



1. Don't attempt to repair or modify parts that are broken or defective. Please contact the store immediately.
2. This product is for home use only and not intended for commercial establishments.






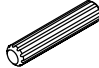

ASSEMBLY TIME

5 MINUTES

PARTS IDENTIFICATION

A	DRESSER		1PC
B	LEG WITH LABEL "R"		2PCS
C	LEG WITH LABEL "L"		2PCS
D	CENTER SUPPORT LEG WITH LEVELER		1PC

HARDWARE IDENTIFICATION

1	BOLT (M6 x 35mm - BLK)		4PCS
2	LOCK WASHER (1/4" - BLK)		4PCS
3	FLAT WASHER (1/4"ID x 19mm - BLK)		4PCS
4	WOOD DOWEL (8 x 20mm)		4PCS
5	ALLEN WRENCH (M4 x 60mm - BLK)		1PC

NOTE:

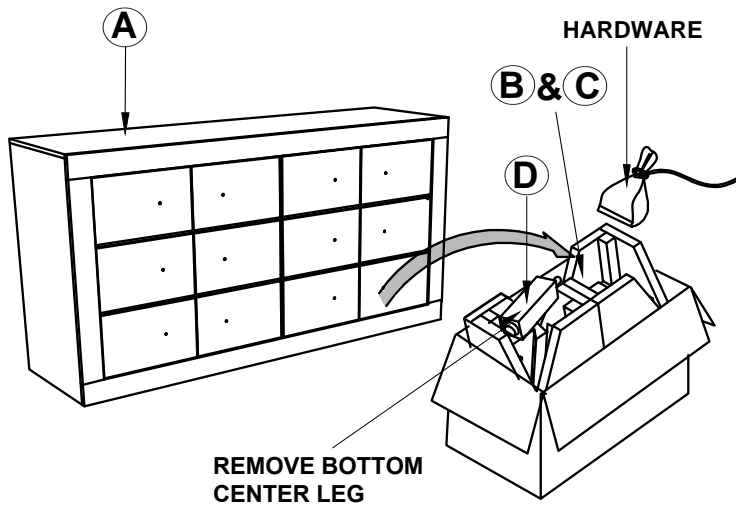
Phillips head screw driver is required in the assembly process; however, manufacturer does not provide this item.

ITEM: **225063**

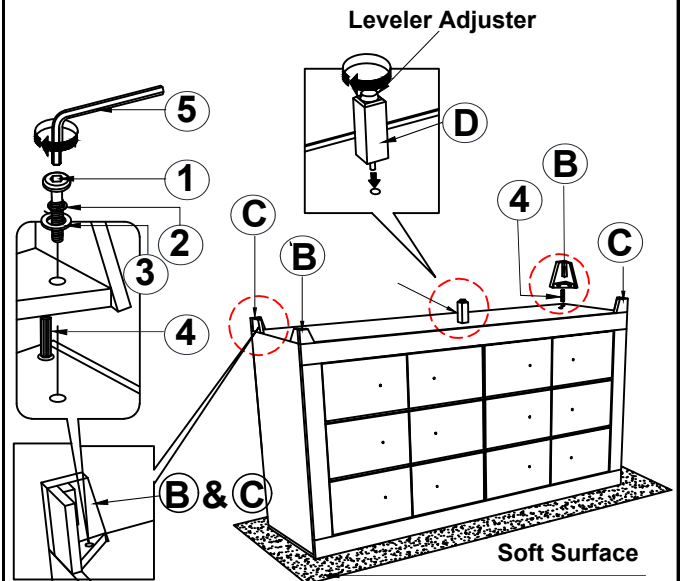
ASSEMBLY INSTRUCTIONS



STEP 1

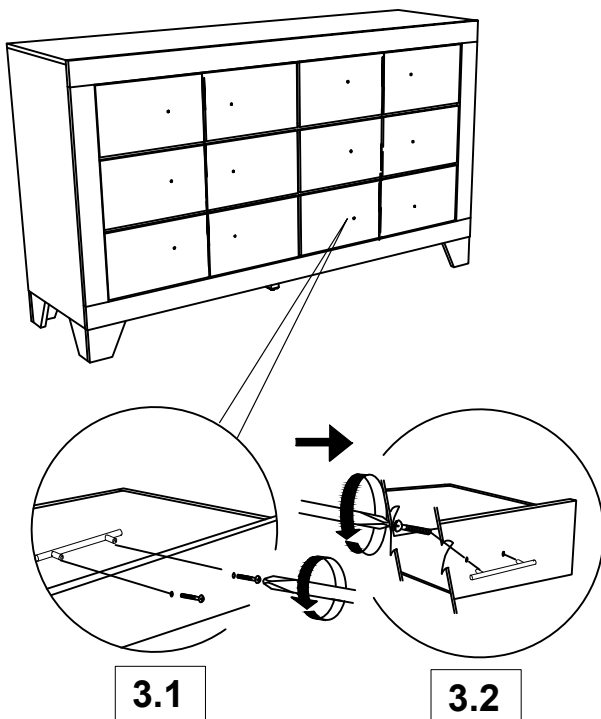


STEP 2

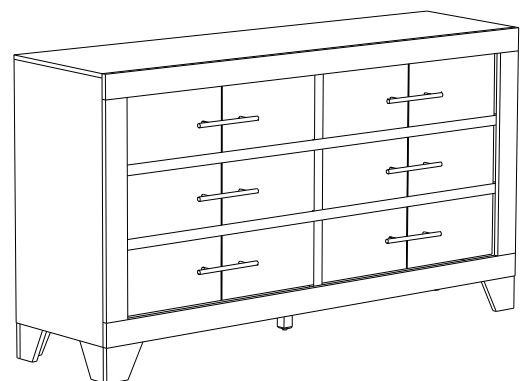


Bottom View

STEP 3



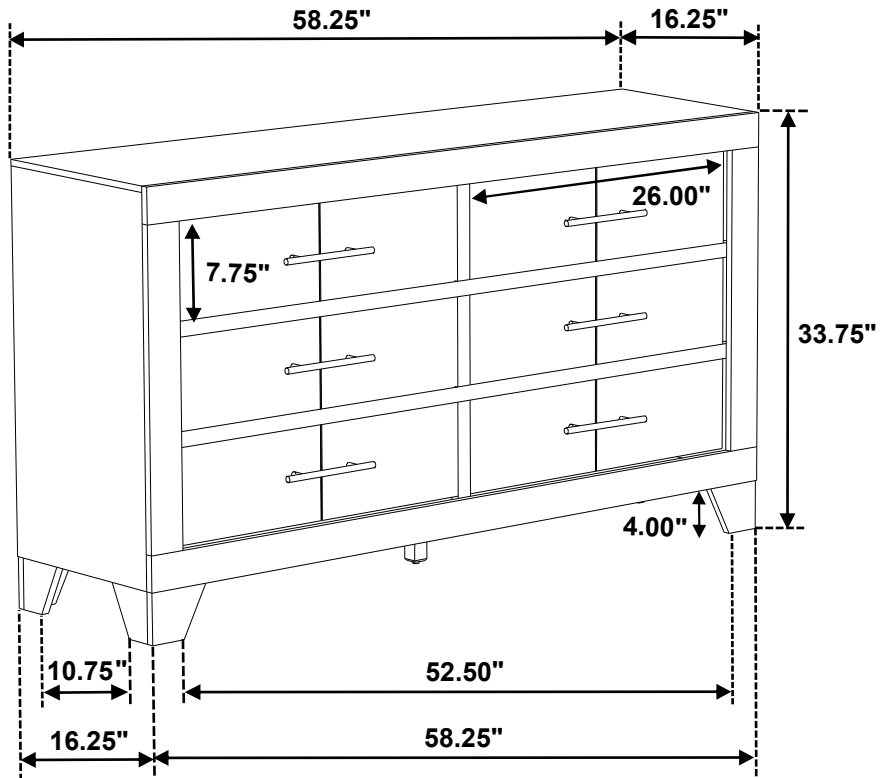
STEP 4
COMPLETE



ITEM:225063



Inner Size of Drawer : 23.25"W x 11.25"D x 5.25"H x 0.25"T



Note : Dimension tolerance $\pm 5\%$

ASSEMBLY INSTRUCTIONS
COASTER FINE FURNITURE



Fine Furniture for every stage of life

225064
Mirror

ITEM: **225064**



ASSEMBLY INSTRUCTIONS

ASSEMBLY TIPS:

1. Remove hardware from box and sort by size.
2. Please check to see that all hardware and parts are present prior to start of assembly.
3. Please follow attached instructions in the same sequence as numbered to assure fast & easy assembly.



WARNING!

1. Don't attempt to repair or modify parts that are broken or defective. Please contact the store immediately.
2. This product is for home use only and not intended for commercial establishments.

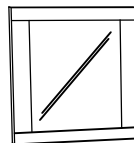


ASSEMBLY TIME

10 MINUTES

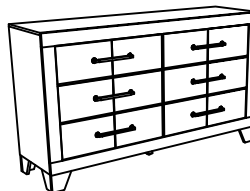
PARTS IDENTIFICATION

A MIRROR



1PC

B DRESSER FROM
BOX ITEM #225063



1PC

C MIRROR SUPPORT
(PACK WITH MIRROR)



2PCS

HARDWARE IDENTIFICATION

1 FLAT HEAD SCREW
(M4 x 32mm - RBW)



10PCS

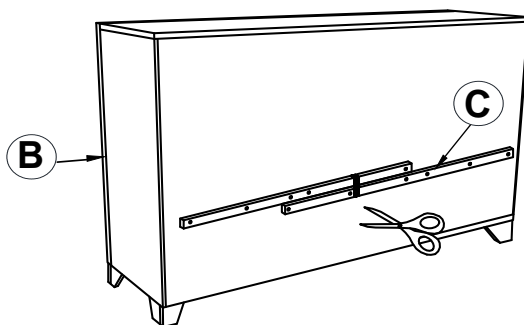
NOTE:

Phillips head screw driver is required in the assembly process; however, manufacturer does not provide this item.

ITEM: **225064**

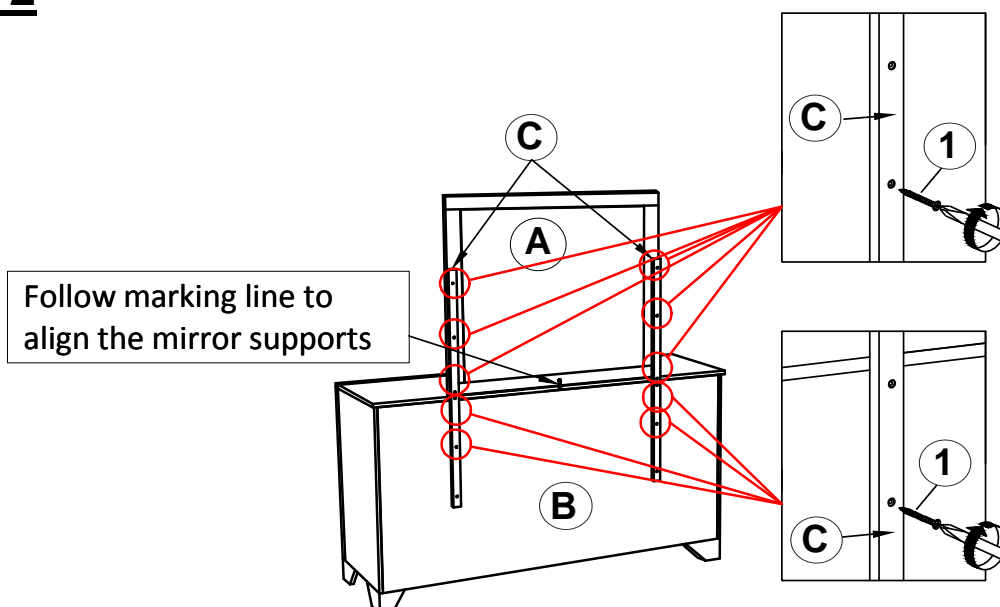
ASSEMBLY INSTRUCTIONS

STEP 1



****BACK VIEW****

STEP 2

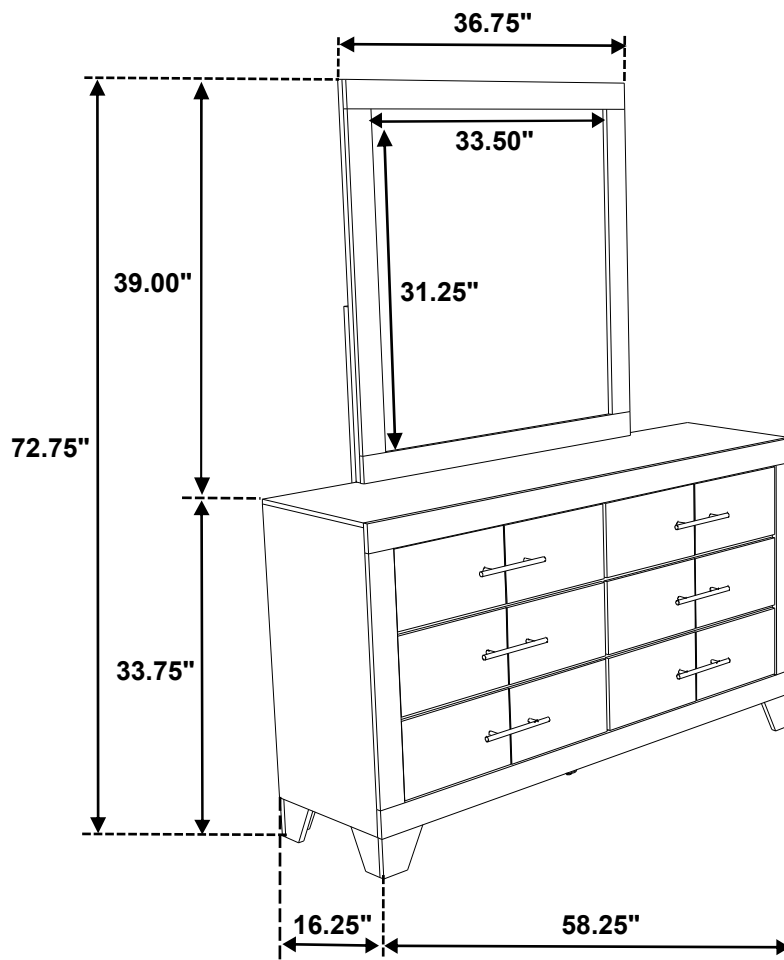


Follow marking line to align the mirror supports

STEP 3 **COMPLETE**



ITEM:225064



Note : Dimension tolerance $\pm 5\%$

ASSEMBLY INSTRUCTIONS
COASTER FINE FURNITURE



Fine Furniture for every stage of life

225065
Chest

ITEM: **225065**



ASSEMBLY INSTRUCTIONS

ASSEMBLY TIPS:

1. Remove hardware from box and sort by size.
2. Please check to see that all hardware and parts are present prior to start of assembly.
3. Please follow attached instructions in the same sequence as numbered to assure fast & easy assembly.



WARNING!

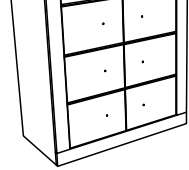


1. Don't attempt to repair or modify parts that are broken or defective. Please contact the store immediately.
2. This product is for home use only and not intended for commercial establishments.








ASSEMBLY TIME

5 MINUTES

PARTS IDENTIFICATION

A	CHEST		1PC
B	LEG WITH LABEL "R"		2PCS
C	LEG WITH LABEL "L"		2PCS

HARDWARE IDENTIFICATION

1	BOLT (M6 x 35mm - BLK)		4PCS
2	LOCK WASHER (1/4" - BLK)		4PCS
3	FLAT WASHER (1/4"ID x 19mm - BLK)		4PCS
4	WOOD DOWEL (8 x 20mm)		4PCS
5	ALLEN WRENCH (M4 x 60mm - BLK)		1PC

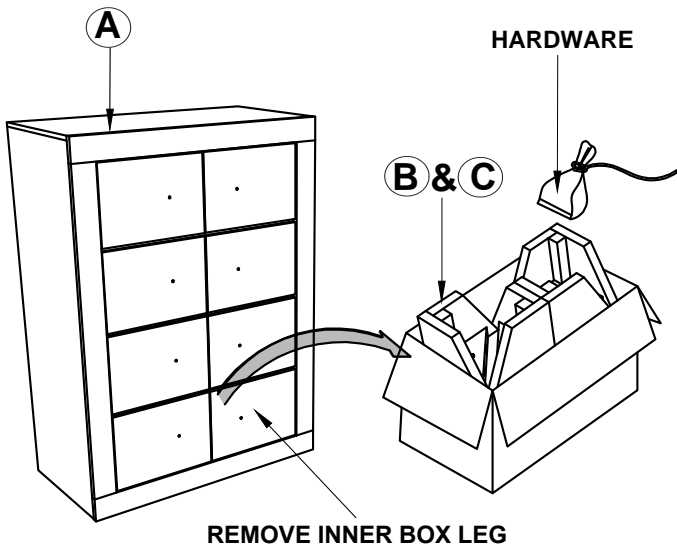
NOTE:

Phillips head screw driver is required in the assembly process; however, manufacturer does not provide this item.

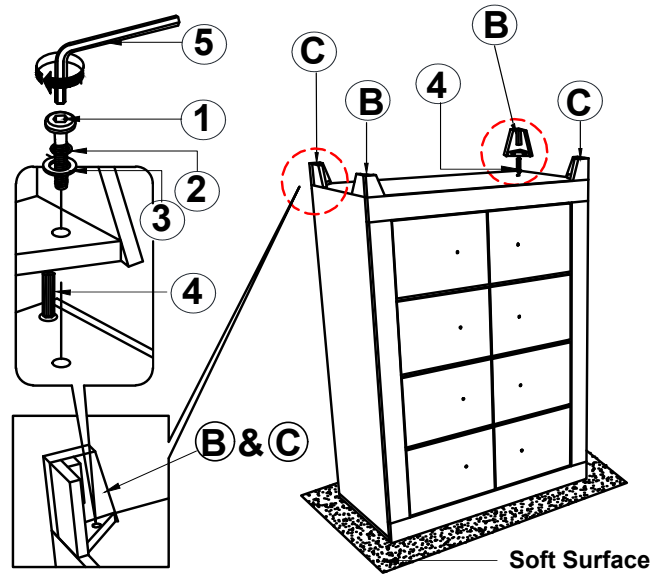
ITEM: **225065**

ASSEMBLY INSTRUCTIONS

STEP 1

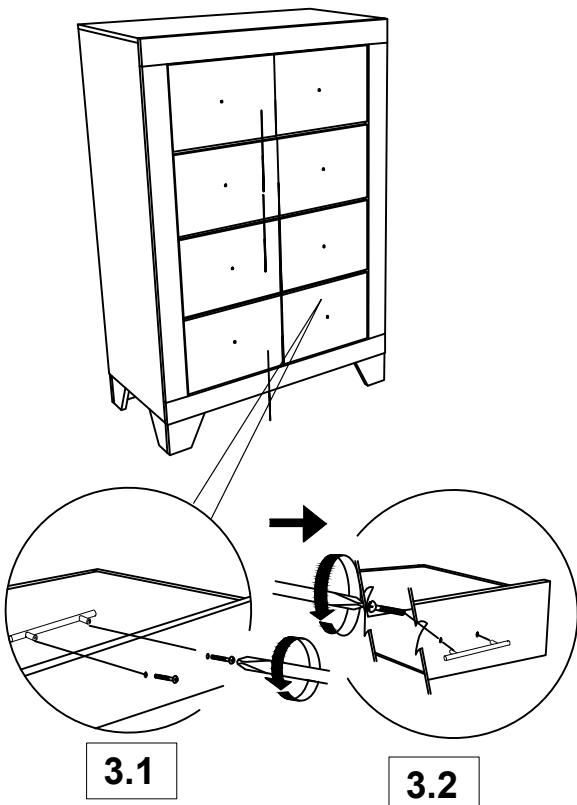


STEP 2



Bottom View

STEP 3



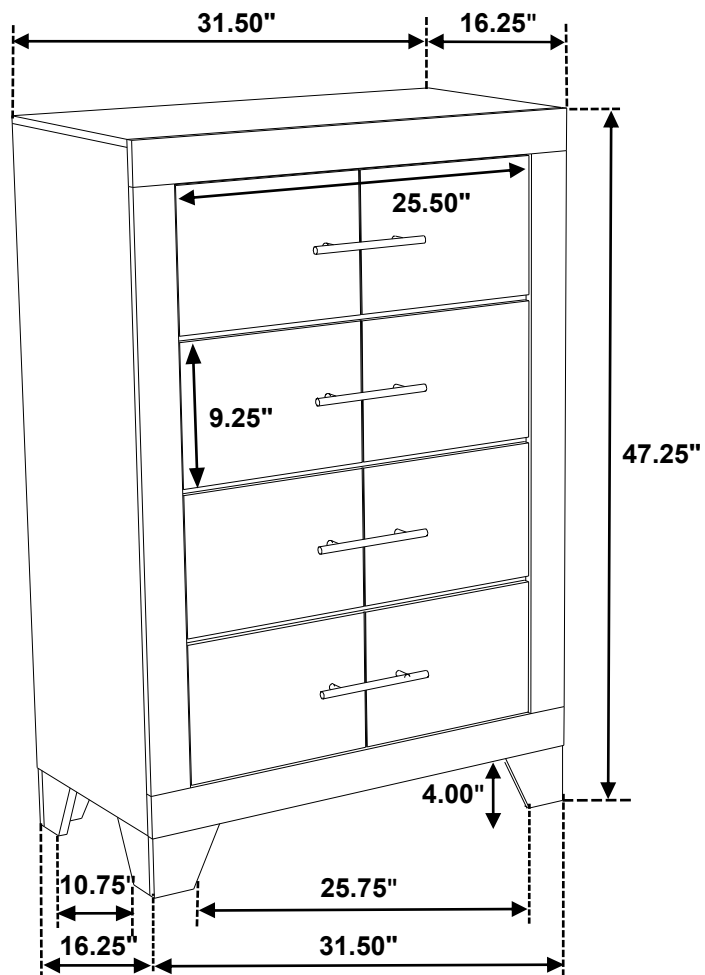
STEP 4
COMPLETE



ITEM: **225065**



Inner Size of Drawer : 23.25"W x 11.25"D x 6.25"H x 0.25"T



Note : Dimension tolerance $\pm 5\%$