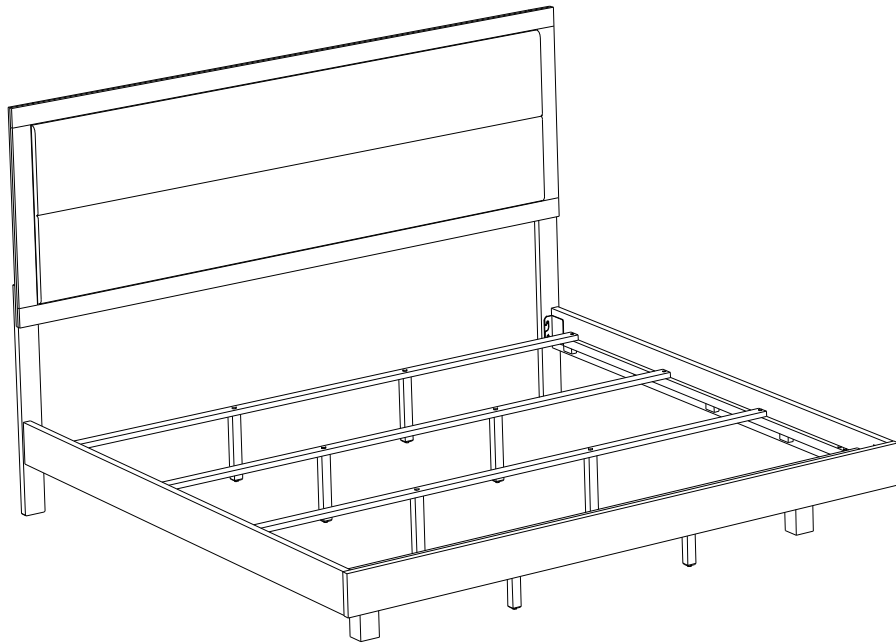


**ASSEMBLY INSTRUCTIONS**  
**COASTER FINE FURNITURE**



*Fine Furniture for every stage of life*

**225061KE (B1&B2)**  
**Eastern King Bed**

# ITEM: 225061KE (B1&B2)



## ASSEMBLY INSTRUCTIONS

### ASSEMBLY TIPS:

1. Remove hardware from box and sort by size.
2. Please check to see that all hardware and parts are present prior to start of assembly.
3. Please follow attached instructions in the same sequence as numbered to assure fast & easy assembly.



### WARNING!

1. Don't attempt to repair or modify parts that are broken or defective. Please contact the store immediately.
2. This product is for home use only and not intended for commercial establishments.

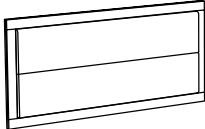








ASSEMBLY TIME

20 MINUTES

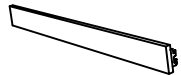

## PARTS IDENTIFICATION

### B1 ( BOX 1 )

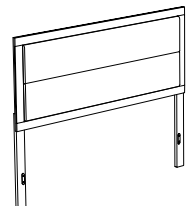
A	HEADBOARD PANEL		1PC
B	FOOTBOARD PANEL		1PC
C	LEFT HEADBOARD LEG		1PC
D	RIGHT HEADBOARD LEG		1PC


E	FOOTBOARD SUPPORT BAR		1PC
F	BED SLAT		4PCS
G	BED SLAT SUPPORT WITH LEVELER		8PCS

### B2 ( BOX 2 )

H	LEFT BED RAIL		1PC
I	RIGHT BED RAIL		1PC

J	FOOTBOARD LEG		2PCS
---	---------------	---	------

HB	225061KE(B1) FROM BOX 1 HEADBOARD COMPLETE		1PC
----	--	---	-----

FB	225061KE(B1) FROM BOX 1 FOOTBOARD PANEL		1PC
----	---	---	-----

### NOTE:

Phillips head screw driver is required in the assembly process; however, manufacturer does not provide this item.

# ITEM: 225061KE (B1&B2)



## ASSEMBLY INSTRUCTIONS

### ASSEMBLY TIPS:

1. Remove hardware from box and sort by size.
2. Please check to see that all hardware and parts are present prior to start of assembly.
3. Please follow attached instructions in the same sequence as numbered to assure fast & easy assembly.

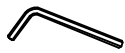

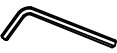




### WARNING!

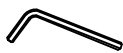

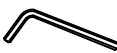

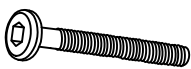

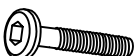

1. Don't attempt to repair or modify parts that are broken or defective. Please contact the store immediately.
2. This product is for home use only and not intended for commercial establishments.

## HARDWARE IDENTIFICATION

### Z-B1 (BOX 1) - HARDWARE PACK IS LOCATED IN 225061KE (B1)

1	<b>SMALL ALLEN WRENCH</b> (M4 x 65mm - BLK)		1PC	4	<b>LOCK WASHER</b> (1/4" - BLK)		6PCS
2	<b>BIG ALLEN WRENCH</b> (M5 x 65mm - BLK)		1PC	5	<b>FLAT WASHER</b> (1/4"ID x 13mm - BLK)		6PCS
3	<b>SHORT BOLT</b> (M6 x 35mm - BLK)		6PCS				

### Z-B2 (BOX 2) - HARDWARE PACK IS LOCATED IN 225061KE (B2)

6	<b>SMALL ALLEN WRENCH</b> (M4 x 65mm - BLK)		1PC	10	<b>LOCK WASHER</b> (1/4" - BLK)		6PCS
7	<b>BIG ALLEN WRENCH</b> (M5 x 65mm - BLK)		1PC	11	<b>FLAT WASHER</b> (1/4"ID x 13mm - BLK)		6PCS
8	<b>LONG BOLT</b> (M6 x 80mm - BLK)		2PCS	12	<b>SHORT FLAT HEAD SCREW</b> (M4 x 32mm - RBW)		8PCS
9	<b>MEDIUM BOLT</b> (M6 x 50mm - BLK)		4PCS	13	<b>LONG FLAT HEAD SCREW</b> (M4 x 50mm - RBW)		4PCS

### NOTE:

Phillips head screw driver is required in the assembly process; however, manufacturer does not provide this item.

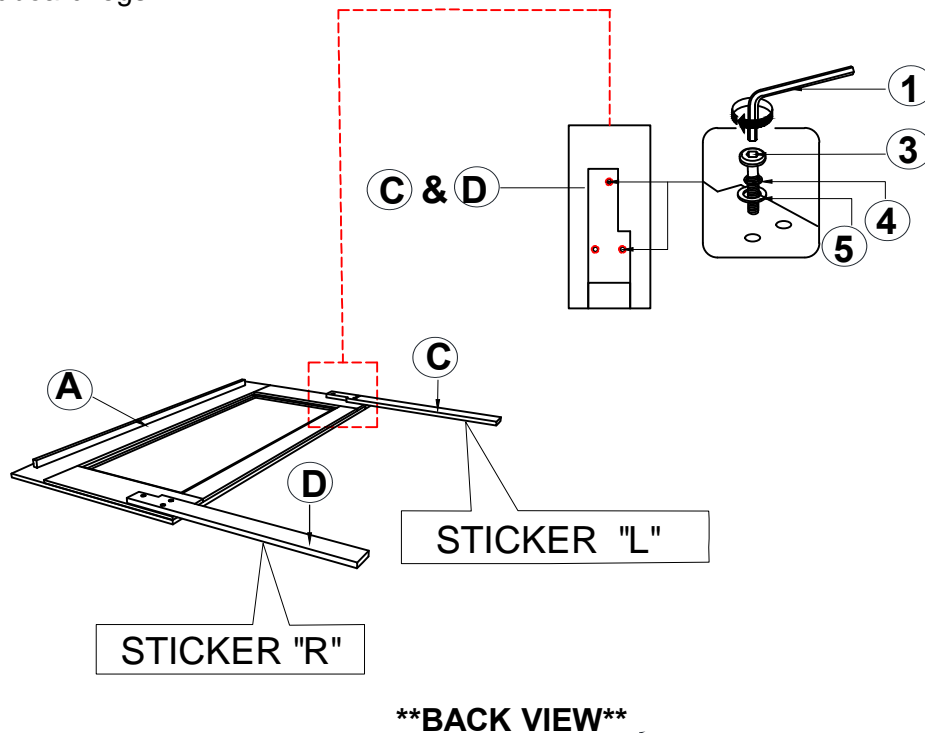
# ITEM: 225061KE (B1&B2)



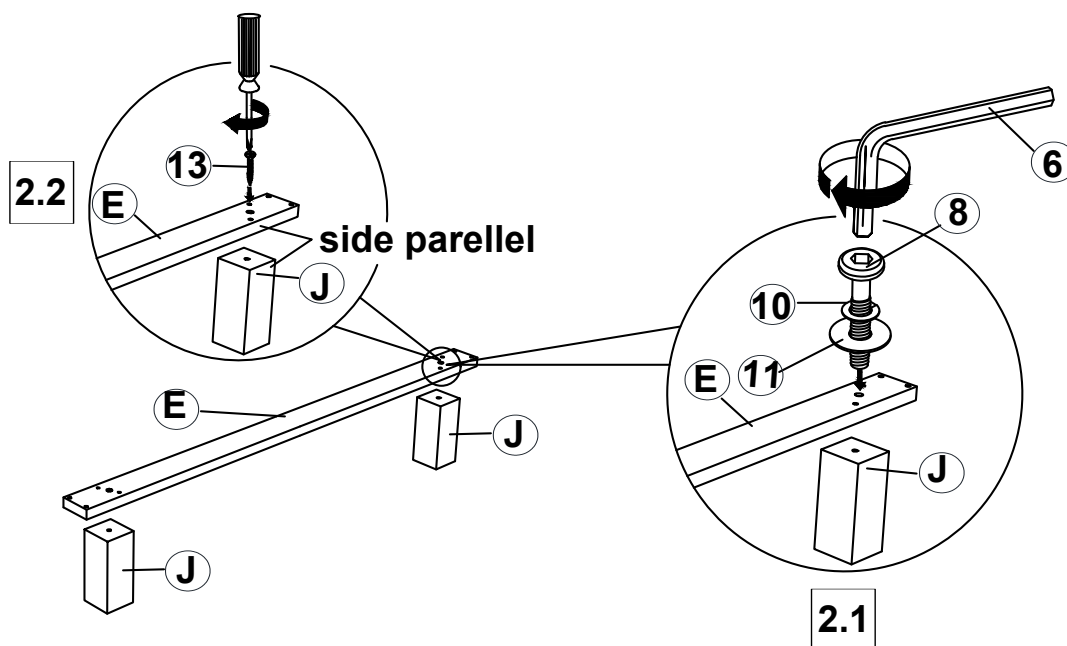
## ASSEMBLY INSTRUCTIONS

### STEP 1

Note : Please take note of the marking sticker (L&R) on the headboard legs.

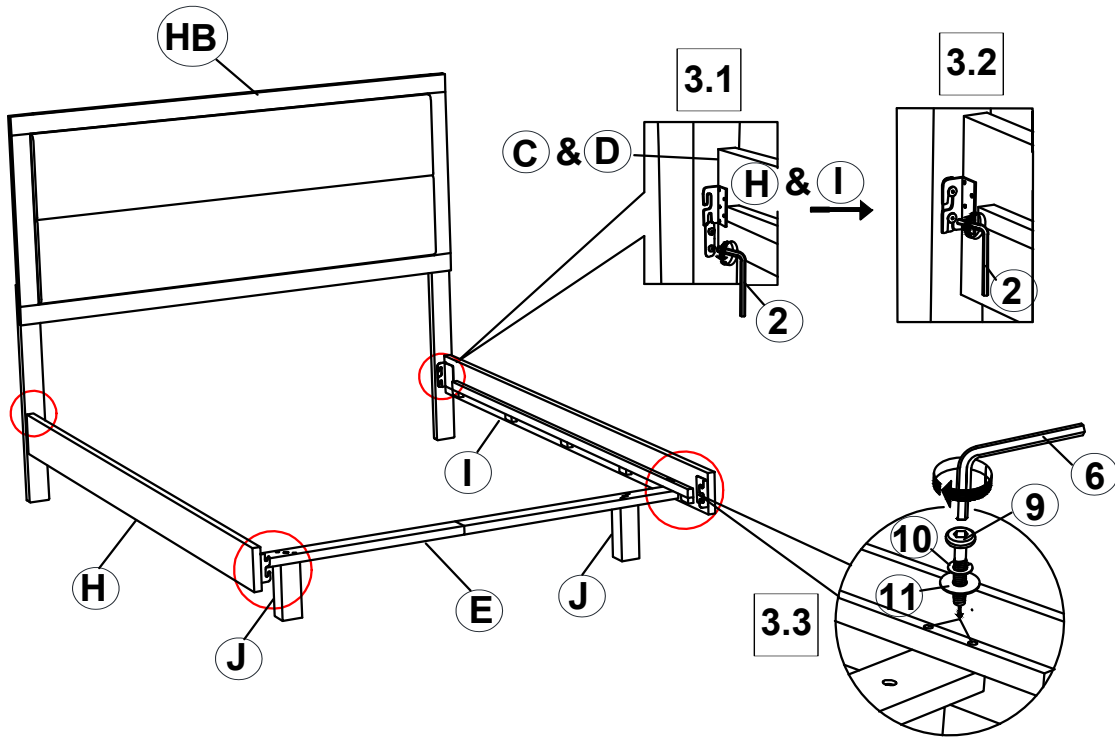


### STEP 2

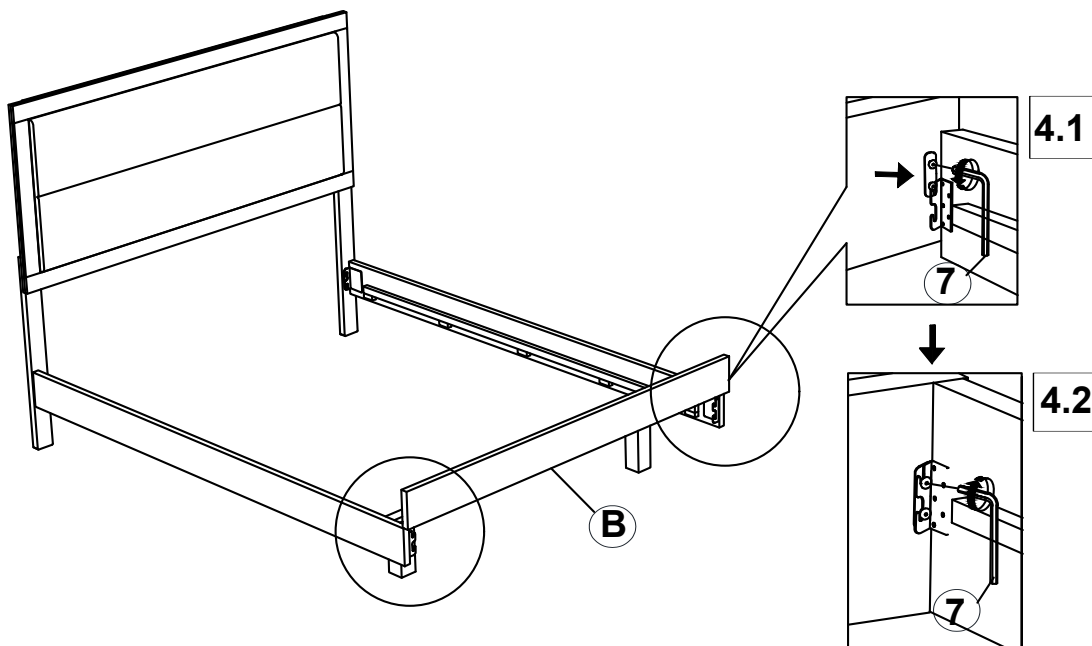


**ASSEMBLY INSTRUCTIONS**

**STEP 3**



**STEP 4**

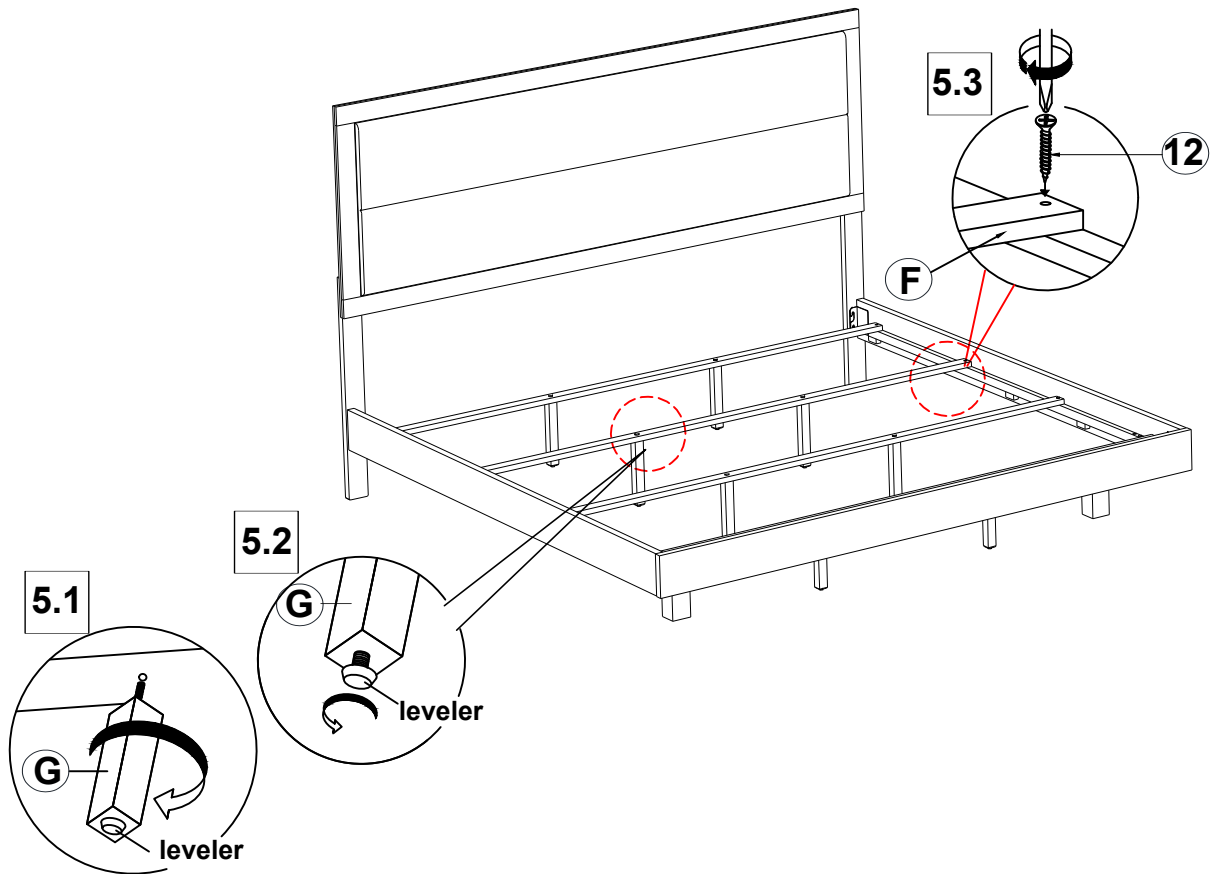


# ITEM: 225061KE (B1&B2)



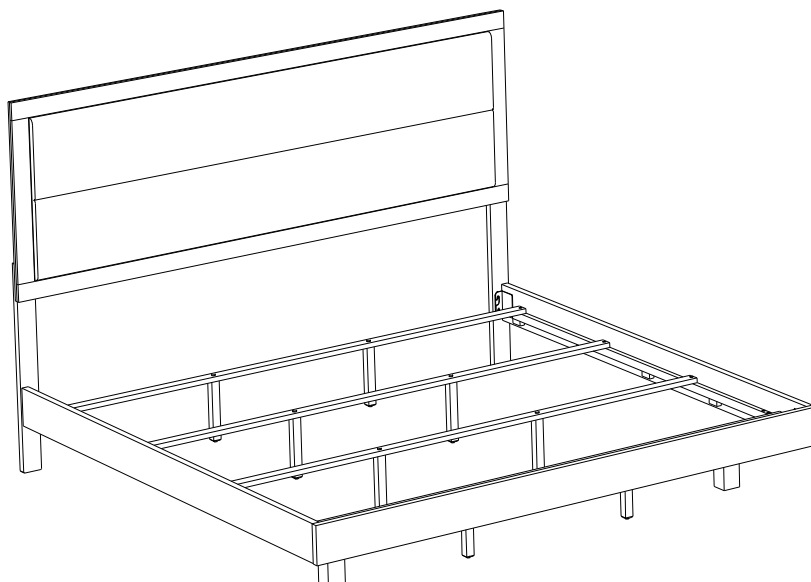
## ASSEMBLY INSTRUCTIONS

### STEP 5



### STEP 6

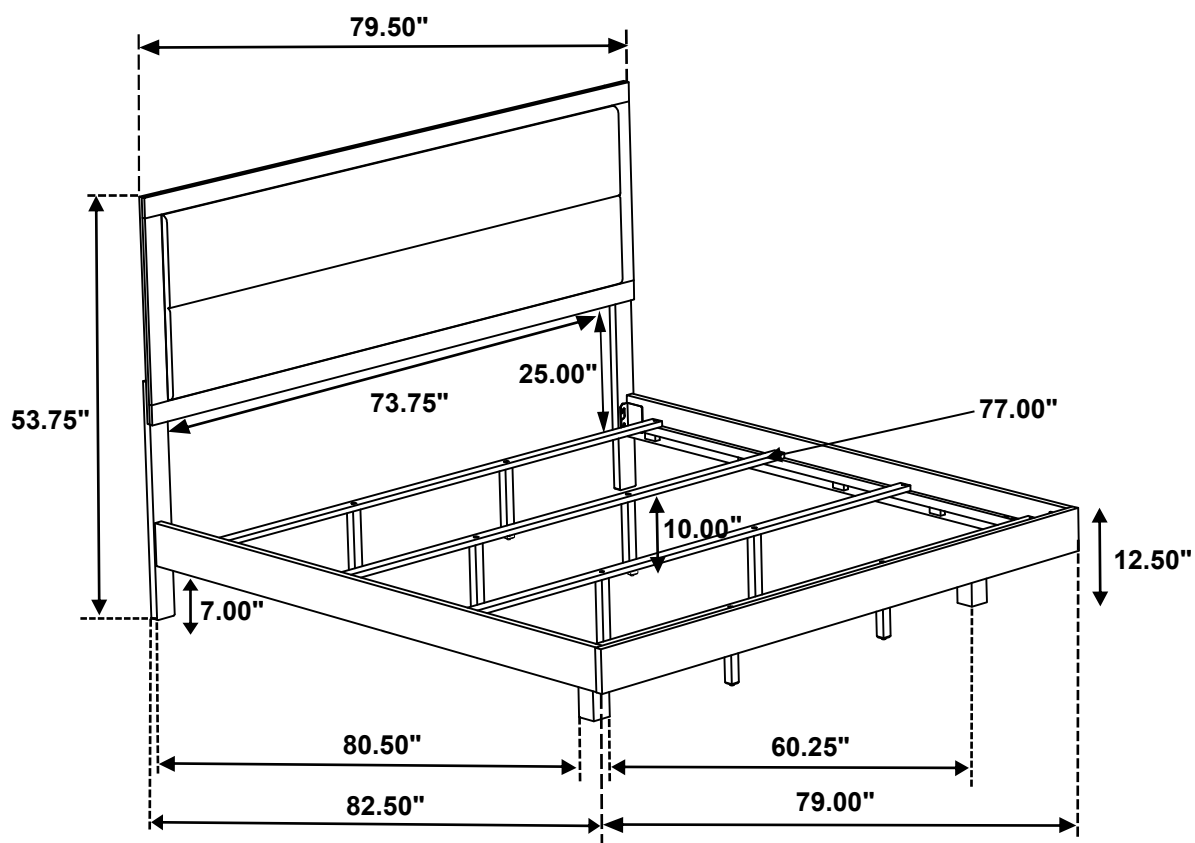
### COMPLETE



# ITEM: 225061KE (B1&B2)

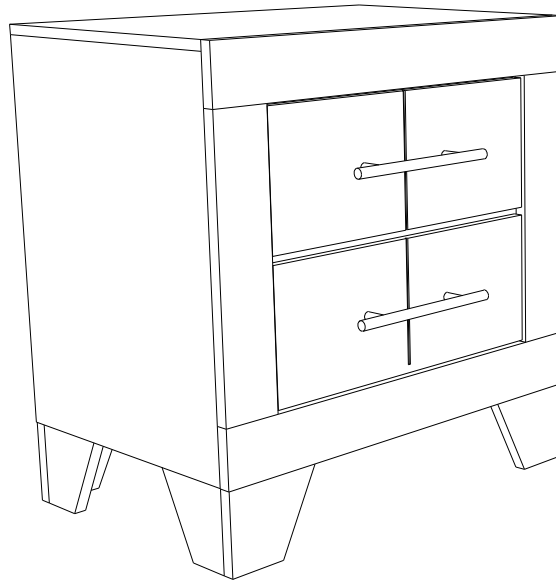


Inner Size : 77.00"W X 80.50"D



Note : Dimension tolerance  $\pm 5\%$

**ASSEMBLY INSTRUCTIONS**  
**COASTER FINE FURNITURE**



*Fine Furniture for every stage of life*

**225062**  
**Nightstand**

ITEM: **225062**



## ASSEMBLY INSTRUCTIONS

### ASSEMBLY TIPS:

1. Remove hardware from box and sort by size.
2. Please check to see that all hardware and parts are present prior to start of assembly.
3. Please follow attached instructions in the same sequence as numbered to assure fast & easy assembly.



### WARNING!

1. Don't attempt to repair or modify parts that are broken or defective. Please contact the store immediately.
2. This product is for home use only and not intended for commercial establishments.

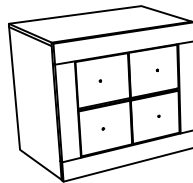


ASSEMBLY TIME

5 MINUTES

## PARTS IDENTIFICATION

A NIGHTSTAND



1PC

B LEG WITH LABEL "R"



2PCS

C LEG WITH LABEL "L"



2PCS

## HARDWARE IDENTIFICATION

1

**BOLT**  
(M6 x 35mm - BLK)



4PCS

2

**LOCK WASHER**  
(1/4" - BLK)



4PCS

3

**FLAT WASHER**  
(1/4" ID x 19mm - BLK)



4PCS

4

**WOOD DOWEL**  
(8 x 20mm )



4PCS

5

**ALLEN WRENCH**  
(M4 x 60mm - BLK)



1PC

### NOTE:

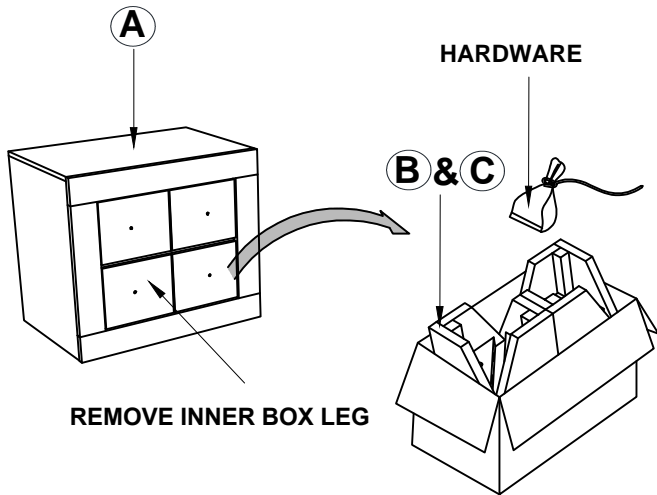
Phillips head screw driver is required in the assembly process; however, manufacturer does not provide this item.

ITEM: **225062**

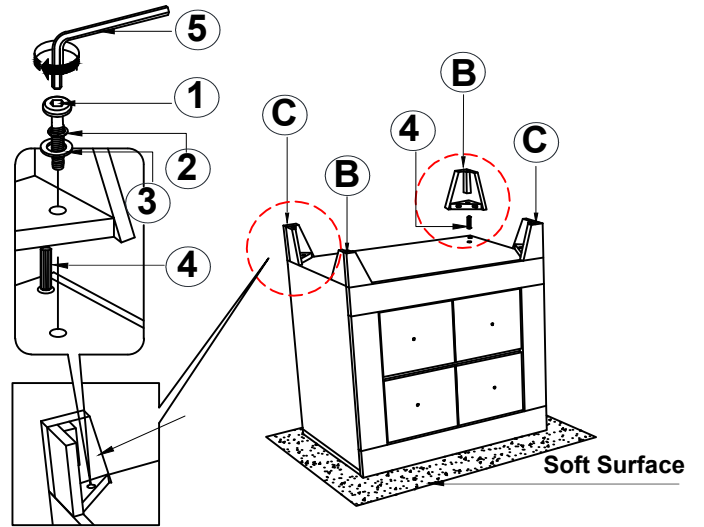
**ASSEMBLY INSTRUCTIONS**



**STEP 1**

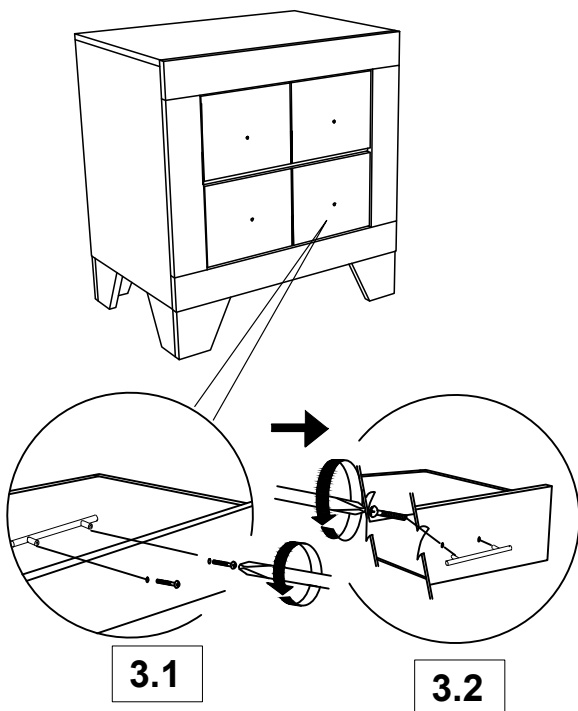


**STEP 2**



Bottom View

**STEP 3**



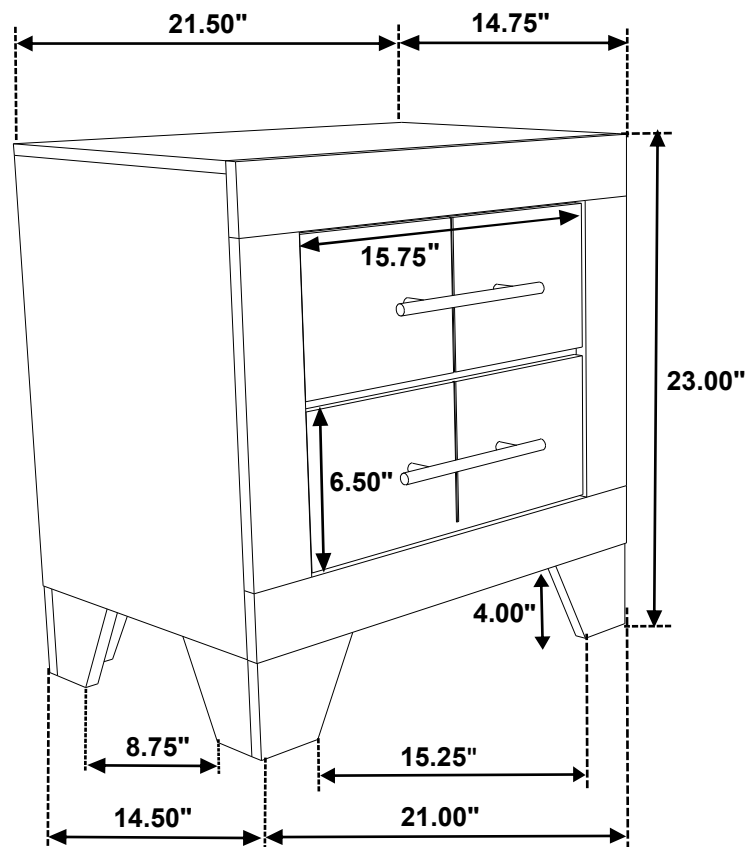
**STEP 4**  
**COMPLETE**



ITEM:225062

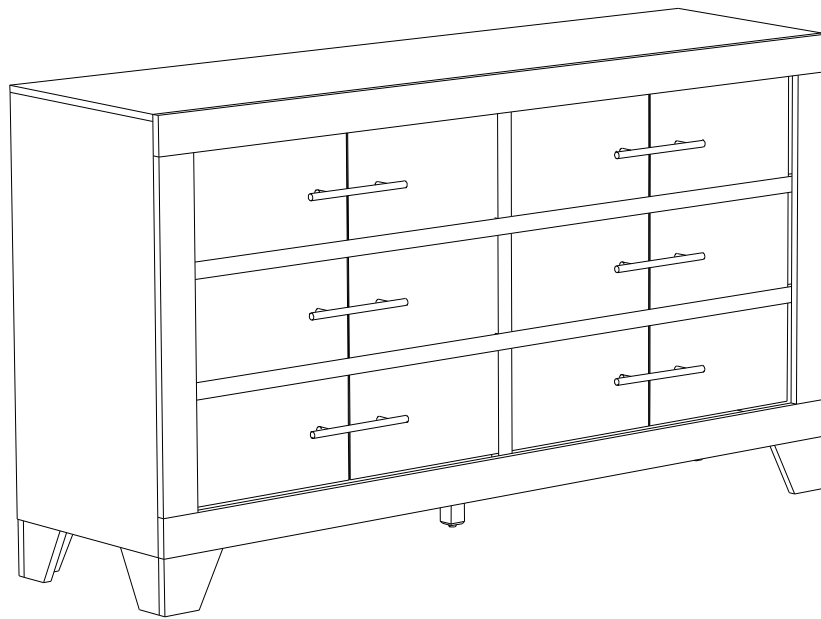


Inner Size of Drawer : 12.75"W x 11.25"D x 4.25"H x 0.25"T



Note : Dimension tolerance  $\pm 5\%$

**ASSEMBLY INSTRUCTIONS**  
**COASTER FINE FURNITURE**



*Fine Furniture for every stage of life*

**225063**  
**Dresser**

ITEM: **225063**



## ASSEMBLY INSTRUCTIONS

### ASSEMBLY TIPS:

1. Remove hardware from box and sort by size.
2. Please check to see that all hardware and parts are present prior to start of assembly.
3. Please follow attached instructions in the same sequence as numbered to assure fast & easy assembly.



### WARNING!

1. Don't attempt to repair or modify parts that are broken or defective. Please contact the store immediately.
2. This product is for home use only and not intended for commercial establishments.



ASSEMBLY TIME

5 MINUTES

## PARTS IDENTIFICATION

A	DRESSER		1PC
B	LEG WITH LABEL "R"		2PCS
C	LEG WITH LABEL "L"		2PCS
D	CENTER SUPPORT LEG WITH LEVELER		1PC

## HARDWARE IDENTIFICATION

1	BOLT (M6 x 35mm - BLK)		4PCS
2	LOCK WASHER (1/4" - BLK)		4PCS
3	FLAT WASHER (1/4"ID x 19mm - BLK)		4PCS
4	WOOD DOWEL (8 x 20mm )		4PCS
5	ALLEN WRENCH (M4 x 60mm - BLK)		1PC

### NOTE:

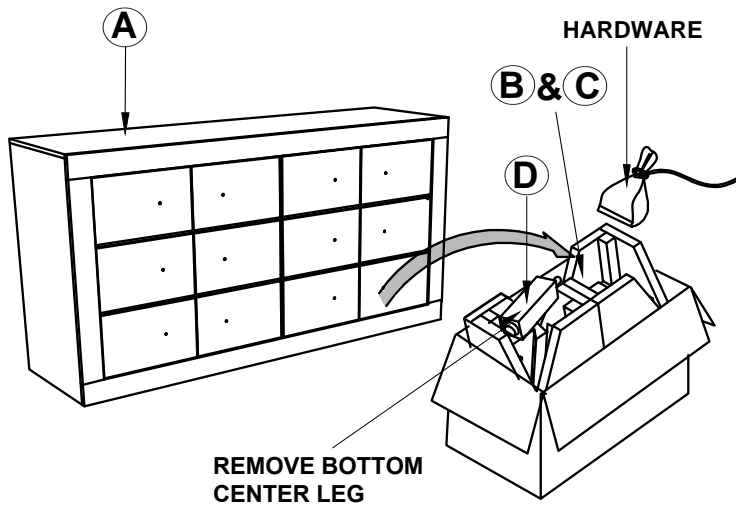
Phillips head screw driver is required in the assembly process; however, manufacturer does not provide this item.

ITEM: **225063**

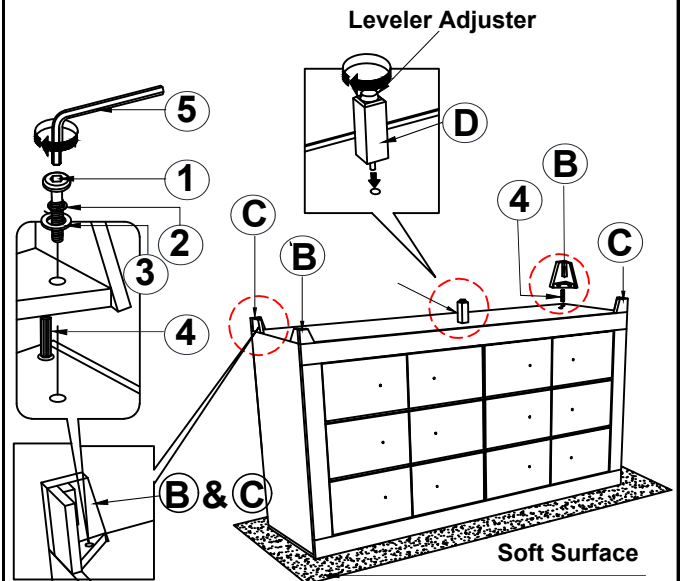
**ASSEMBLY INSTRUCTIONS**



**STEP 1**

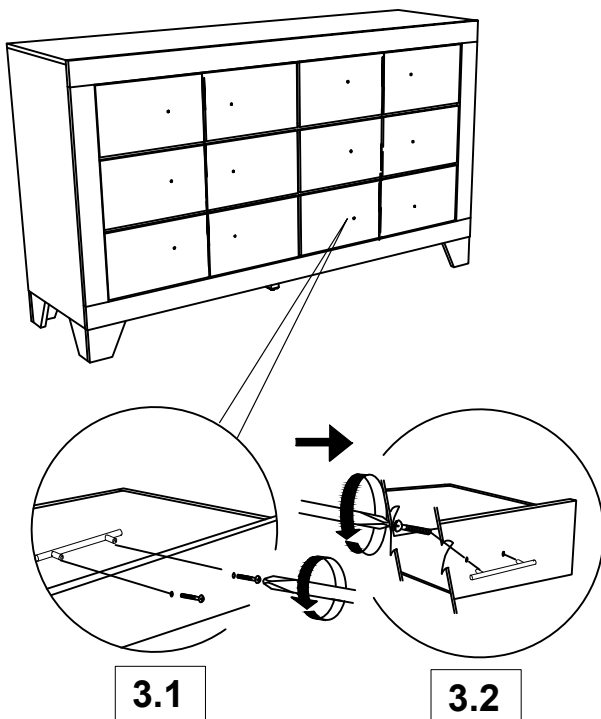


**STEP 2**



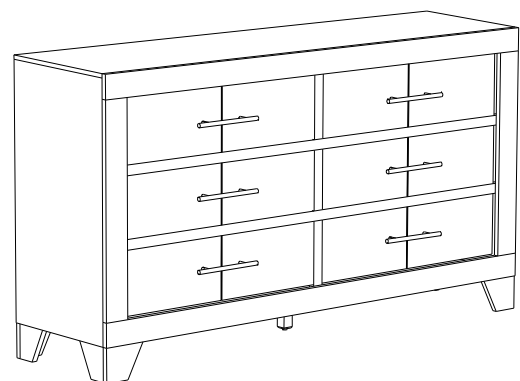
Bottom View

**STEP 3**



**STEP 4**

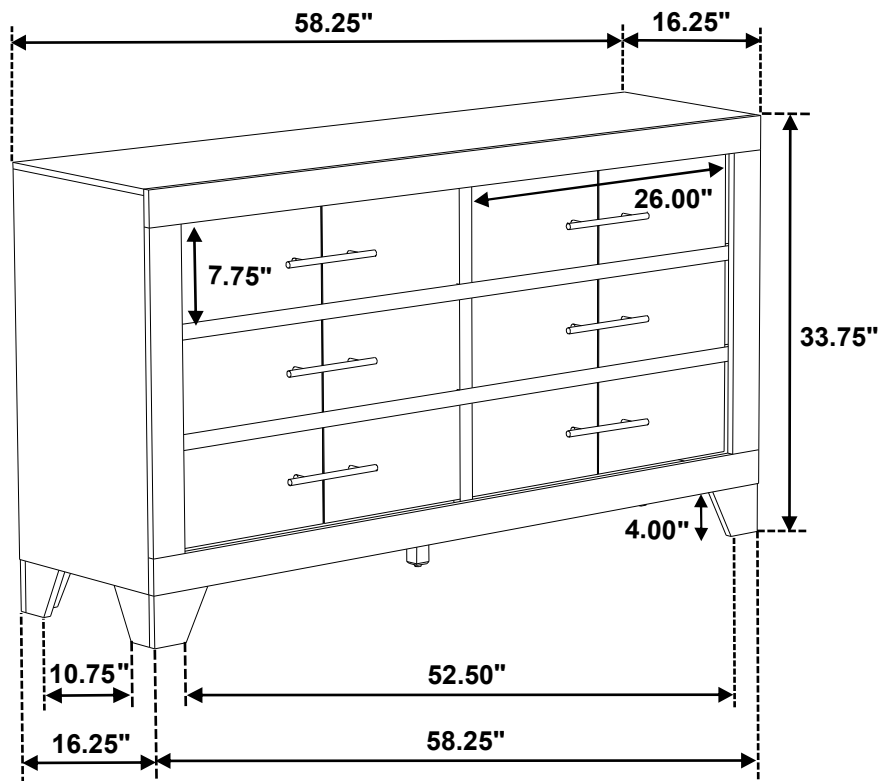
**COMPLETE**



ITEM:225063



Inner Size of Drawer : 23.25"W x 11.25"D x 5.25"H x 0.25"T



Note : Dimension tolerance  $\pm 5\%$

**ASSEMBLY INSTRUCTIONS**  
**COASTER FINE FURNITURE**



*Fine Furniture for every stage of life*

**225064**  
**Mirror**

ITEM: **225064**



## ASSEMBLY INSTRUCTIONS

### ASSEMBLY TIPS:

1. Remove hardware from box and sort by size.
2. Please check to see that all hardware and parts are present prior to start of assembly.
3. Please follow attached instructions in the same sequence as numbered to assure fast & easy assembly.



### WARNING!

1. Don't attempt to repair or modify parts that are broken or defective. Please contact the store immediately.
2. This product is for home use only and not intended for commercial establishments.

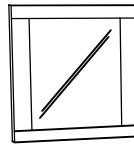


ASSEMBLY TIME

10 MINUTES

## PARTS IDENTIFICATION

A MIRROR



1PC

B DRESSER FROM  
BOX ITEM #225063



1PC

C MIRROR SUPPORT  
(PACK WITH MIRROR)



2PCS

## HARDWARE IDENTIFICATION

1 FLAT HEAD SCREW  
(M4 x 32mm - RBW)



10PCS

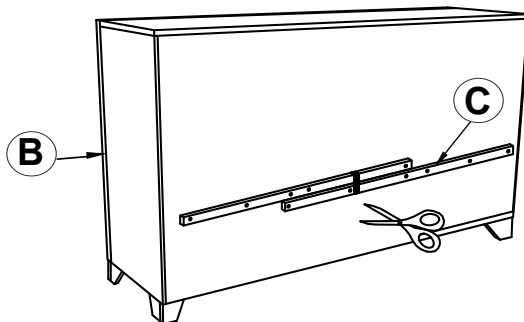
### NOTE:

Phillips head screw driver is required in the assembly process; however, manufacturer does not provide this item.

ITEM: **225064**

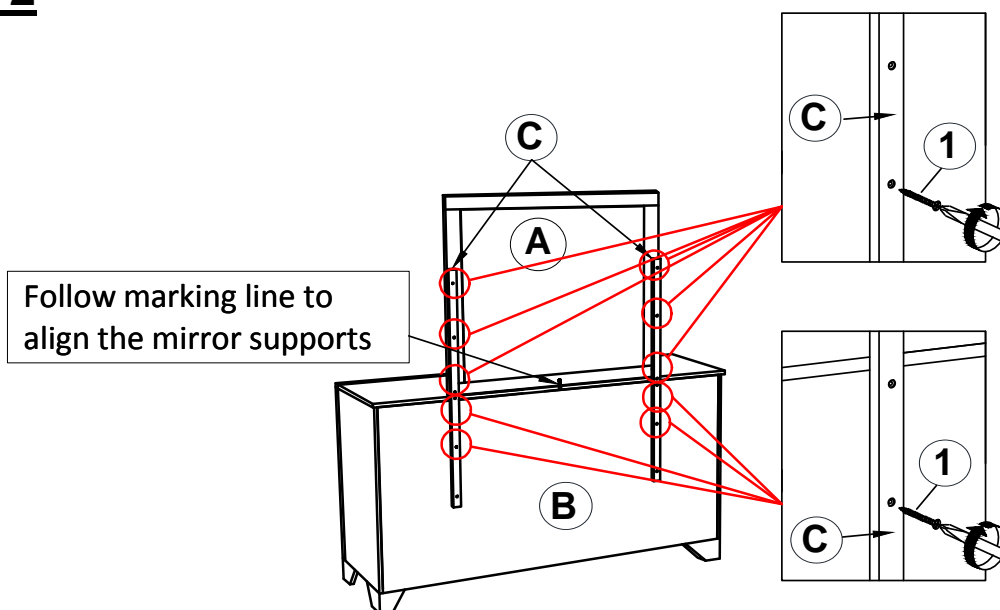
# ASSEMBLY INSTRUCTIONS

## STEP 1



**\*\*BACK VIEW\*\***

## STEP 2

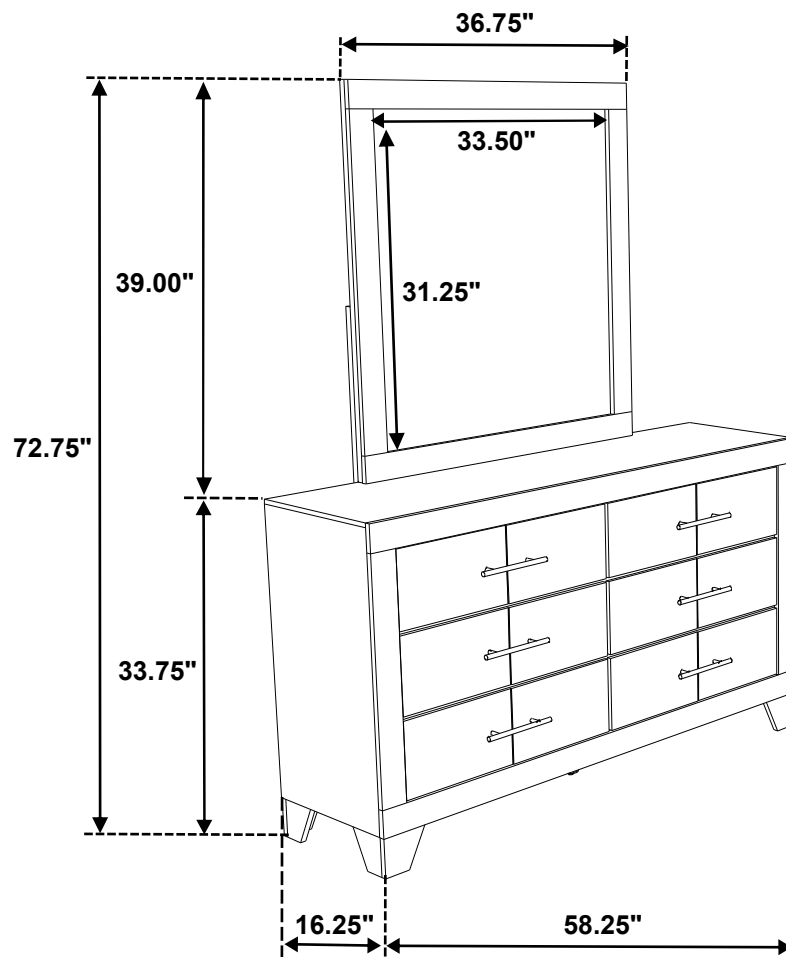


## STEP 3 COMPLETE



ITEM:225064

**COASTER**  
FINE FURNITURE



Note : Dimension tolerance  $\pm 5\%$

**ASSEMBLY INSTRUCTIONS**  
**COASTER FINE FURNITURE**



*Fine Furniture for every stage of life*

**225065**  
**Chest**

ITEM: **225065**



## ASSEMBLY INSTRUCTIONS

### ASSEMBLY TIPS:

1. Remove hardware from box and sort by size.
2. Please check to see that all hardware and parts are present prior to start of assembly.
3. Please follow attached instructions in the same sequence as numbered to assure fast & easy assembly.



### WARNING!

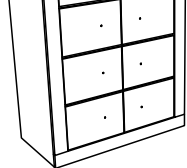


1. Don't attempt to repair or modify parts that are broken or defective. Please contact the store immediately.
2. This product is for home use only and not intended for commercial establishments.








ASSEMBLY TIME

5 MINUTES

## PARTS IDENTIFICATION

A	CHEST		1PC
B	LEG WITH LABEL "R"		2PCS
C	LEG WITH LABEL "L"		2PCS

## HARDWARE IDENTIFICATION

1	<b>BOLT</b> (M6 x 35mm - BLK)		4PCS
2	<b>LOCK WASHER</b> (1/4" - BLK)		4PCS
3	<b>FLAT WASHER</b> (1/4"ID x 19mm - BLK)		4PCS
4	<b>WOOD DOWEL</b> (8 x 20mm )		4PCS
5	<b>ALLEN WRENCH</b> (M4 x 60mm - BLK)		1PC

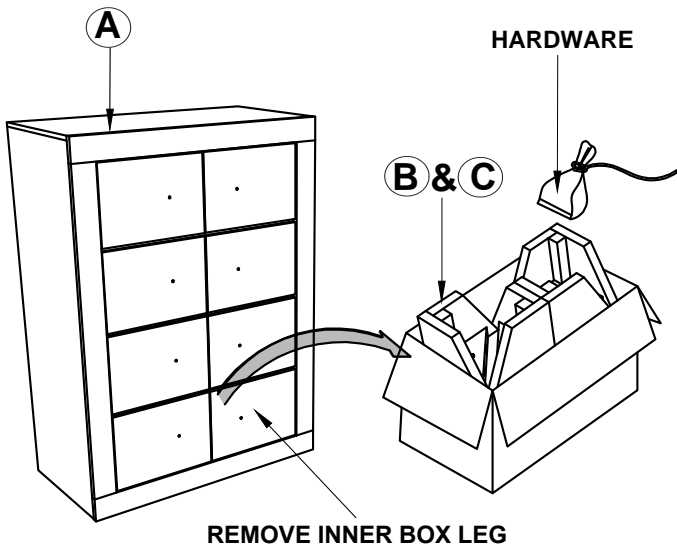
### NOTE:

Phillips head screw driver is required in the assembly process; however, manufacturer does not provide this item.

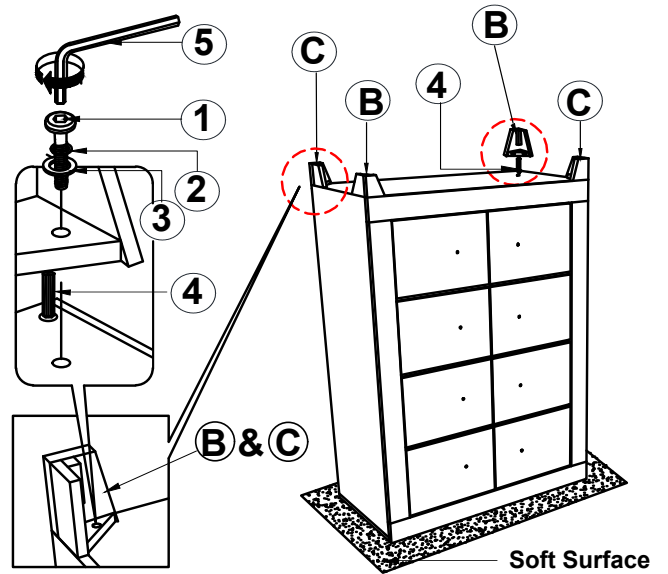
ITEM: **225065**

**ASSEMBLY INSTRUCTIONS**

**STEP 1**

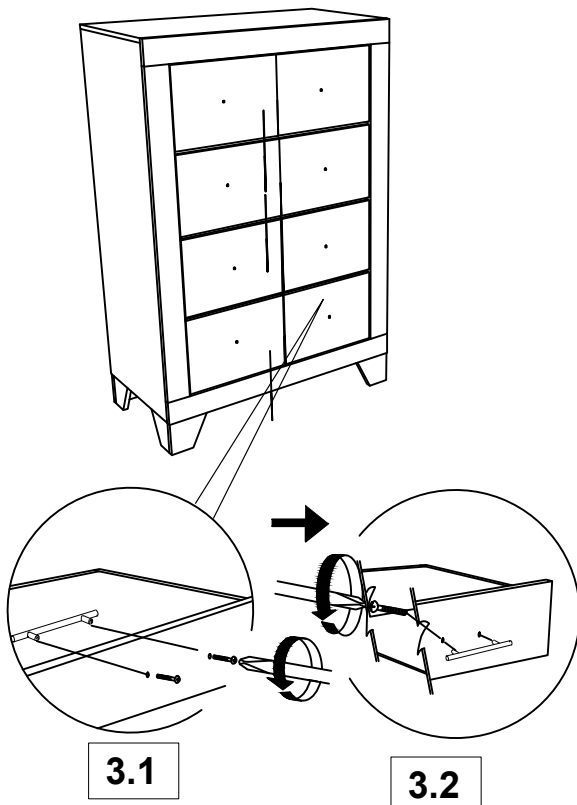


**STEP 2**



Bottom View

**STEP 3**



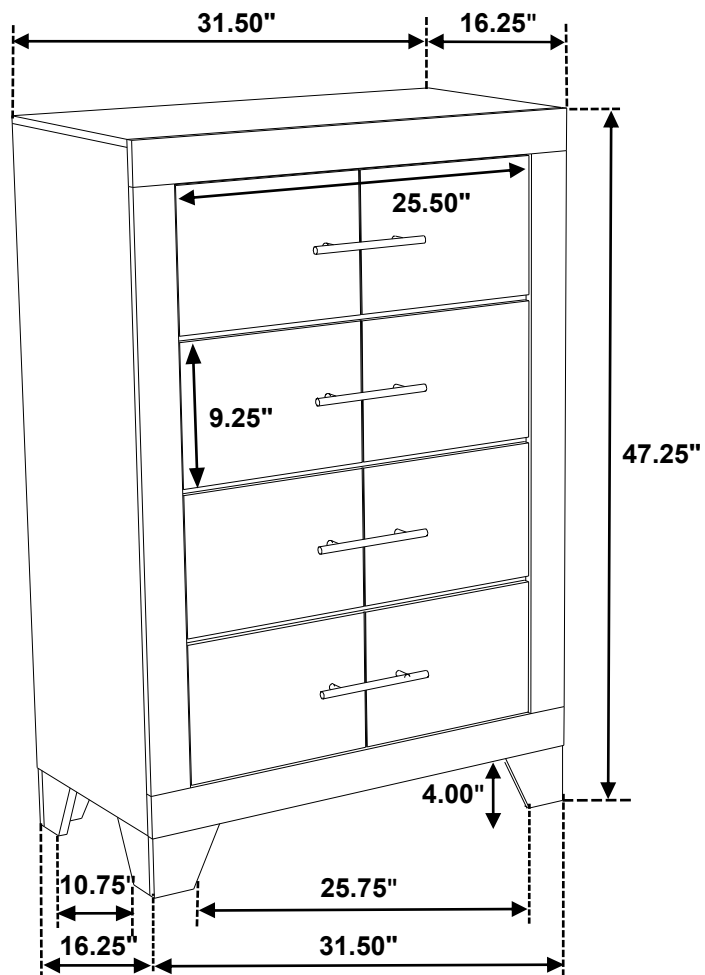
**STEP 4**  
**COMPLETE**



ITEM:225065



Inner Size of Drawer : 23.25"W x 11.25"D x 6.25"H x 0.25"T



Note : Dimension tolerance  $\pm$  5%