

ASSEMBLY INSTRUCTIONS
COASTER FINE FURNITURE



Fine Furniture for every stage of life

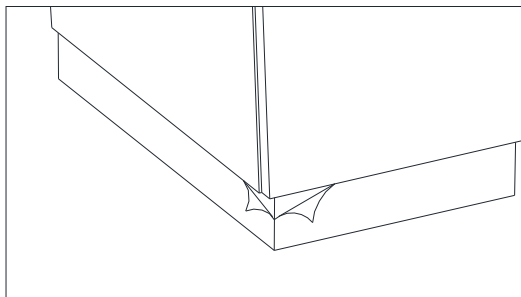
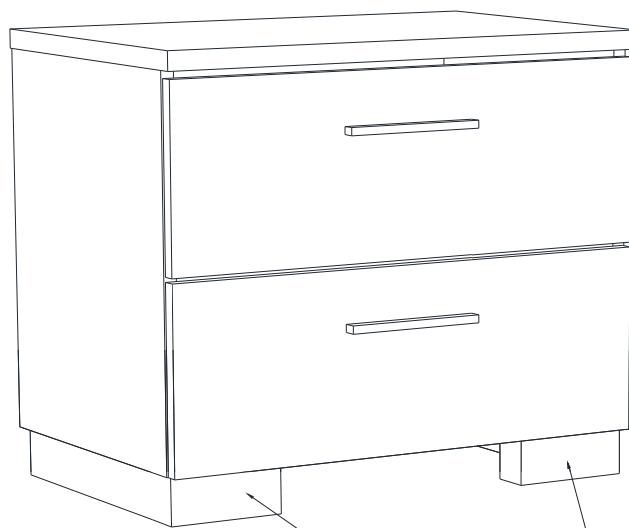
203502
Nightstand

ITEM: **203502**



ASSEMBLY INSTRUCTIONS

REMOVAL OF PROTECTIVE FILM



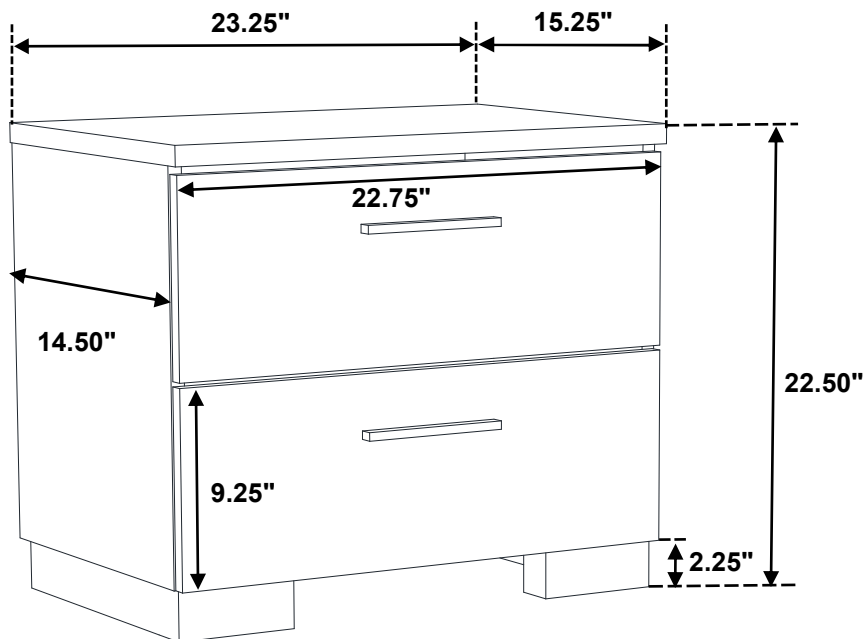
**PLEASE REMOVE THE
PROTECTIVE FILM
BEFORE USE**



ITEM:203502



Inner Size of Drawer : 20.00"W x 12.50"D x 5.00"H x 0.25"T



Note : Dimension tolerance $\pm 5\%$

ASSEMBLY INSTRUCTIONS
COASTER FINE FURNITURE



Fine Furniture for every stage of life

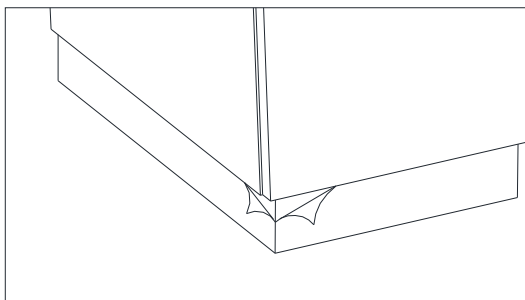
203503
Dresser

ITEM: **203503**

ASSEMBLY INSTRUCTIONS



REMOVAL OF PROTECTIVE FILM



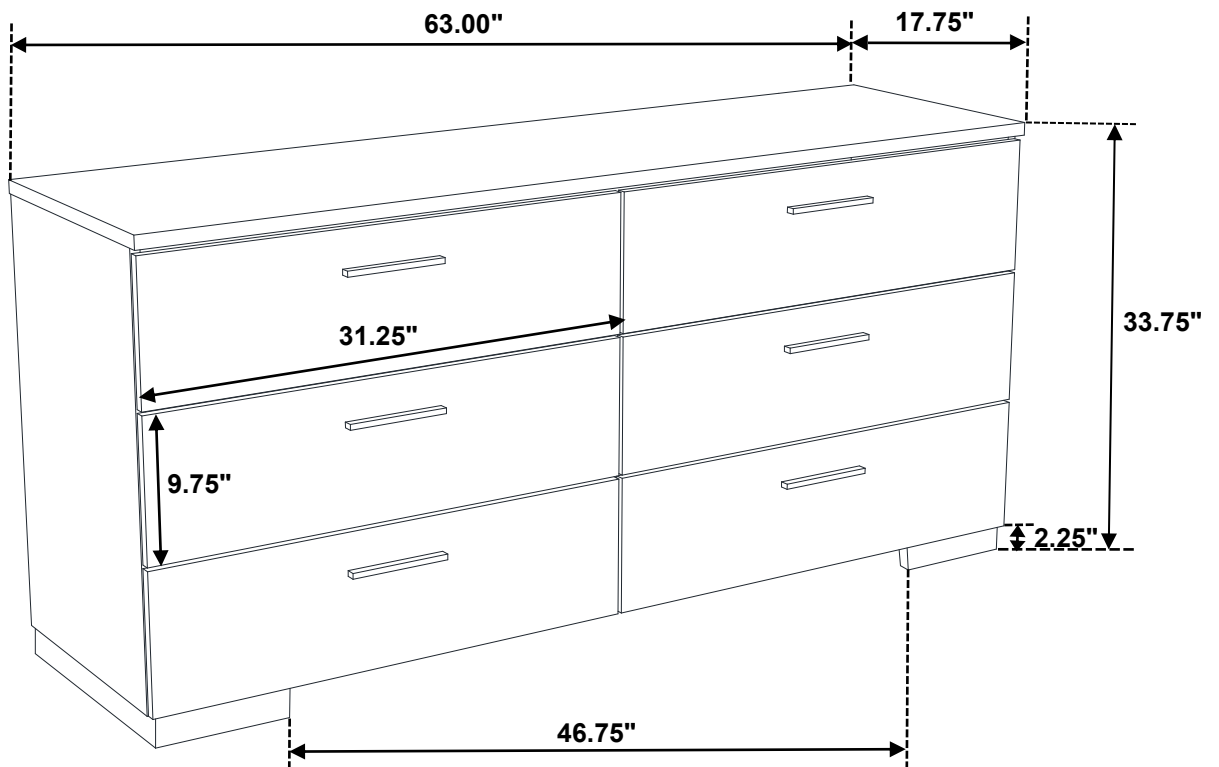
**PLEASE REMOVE THE
PROTECTIVE FILM
BEFORE USE**



ITEM:203503



Inner Size of Drawer : 28.75"W x 12.50"D x 5.00"H x 0.25"T



Note : Dimension tolerance $\pm 5\%$

ASSEMBLY INSTRUCTIONS
COASTER FINE FURNITURE



Fine Furniture for every stage of life

203504
Mirror

ITEM:203504



ASSEMBLY INSTRUCTIONS

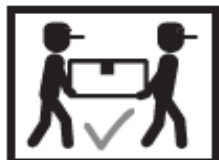
ASSEMBLY TIPS:

1. Remove hardware from box and sort by size.
2. Please check to see that all hardware and parts are present prior to start of assembly.
3. Please follow attached instructions in the same sequence as numbered to assure fast & easy assembly.



WARNING!

1. Don't attempt to repair or modify parts that are broken or defective. Please contact the store immediately.
2. This product is for home use only and not intended for commercial establishments.



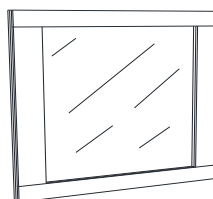
ASSEMBLY TIME

5 MINUTES

PARTS IDENTIFICATION

A

MIRROR



1PC

B

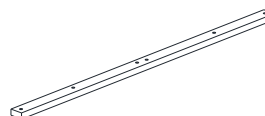
DRESSER
FROM BOX ITEM # 203503



1PC

C

MIRROR SUPPORT
(PACK WITH DRESSER)



2PCS

HARDWARE IDENTIFICATION

1

FLAT HEAD SCREW
(M4 x 32mm - RBW)



10PCS

NOTE:

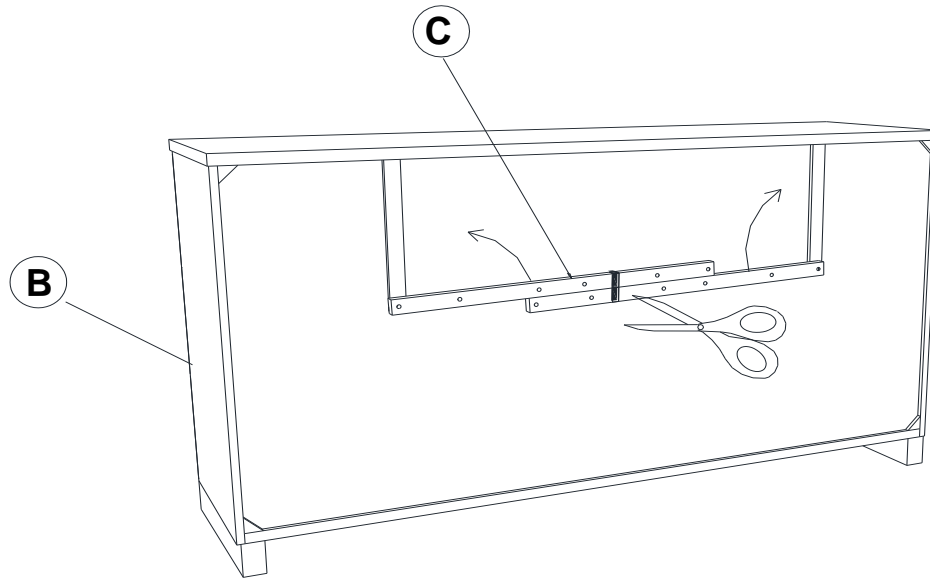
Phillips head screw driver is required in the assembly process; however, manufacturer does not provide this item.

ITEM: **203504**

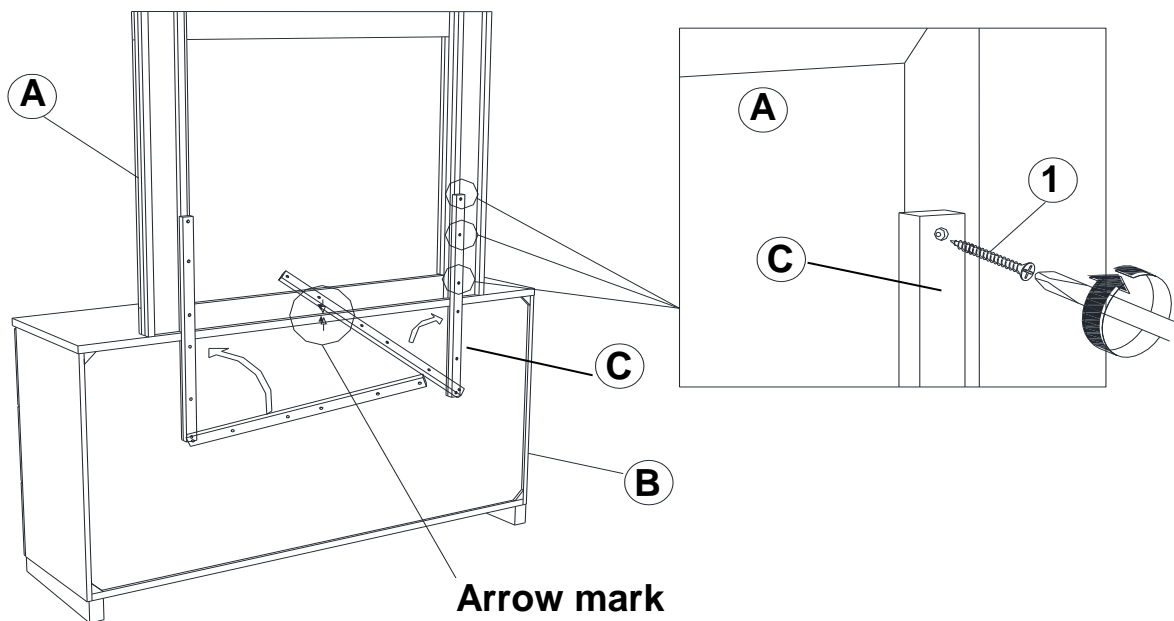


ASSEMBLY INSTRUCTIONS

STEP 1



STEP 2



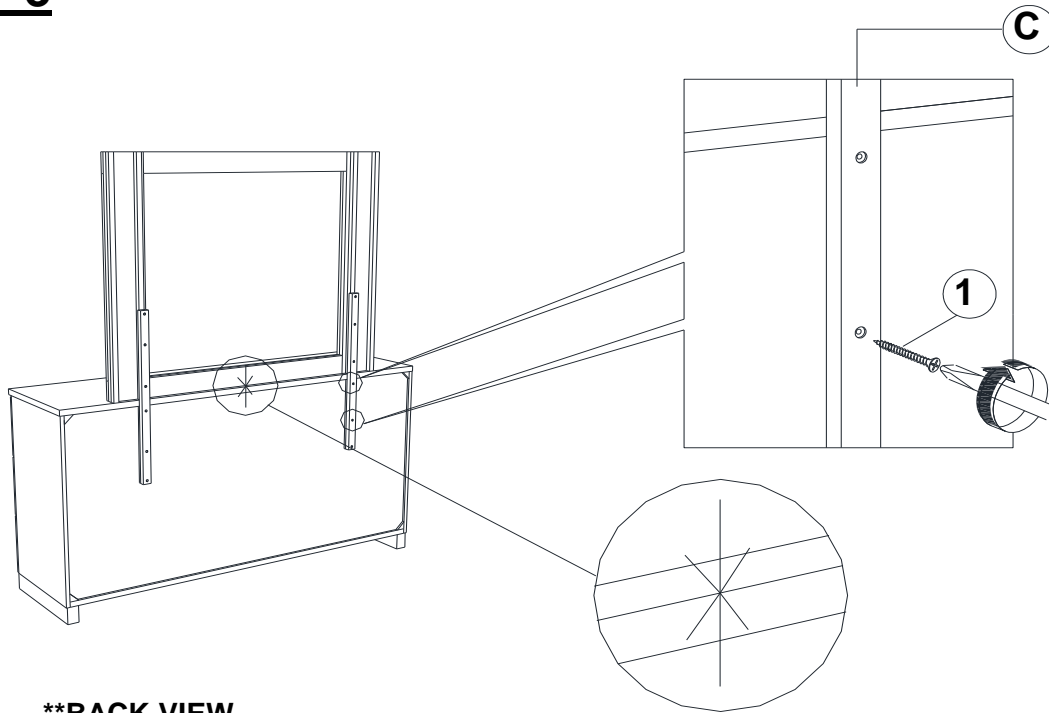
****BACK VIEW**

ITEM: **203504**



ASSEMBLY INSTRUCTIONS

STEP 3

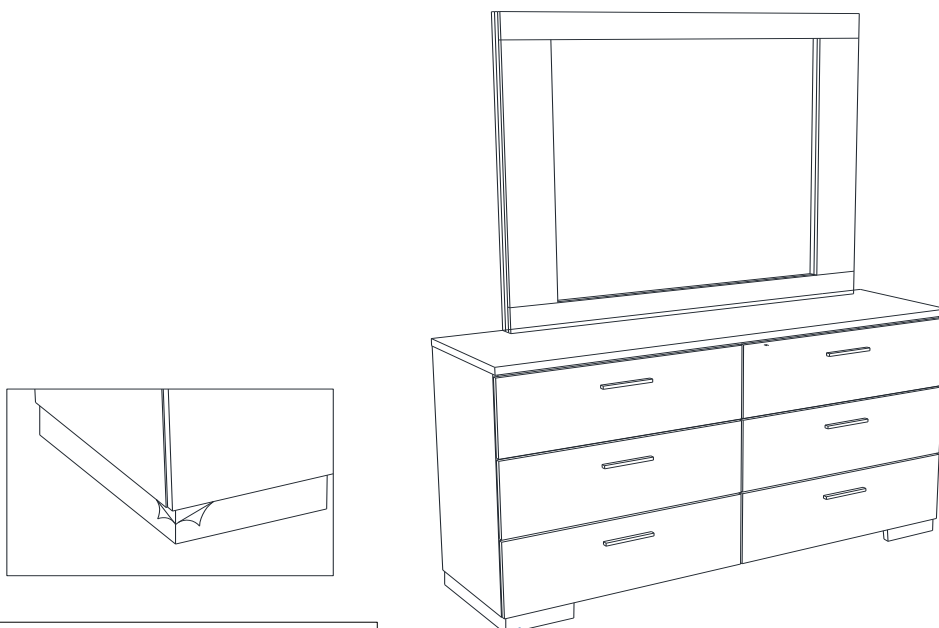


****BACK VIEW**

Arrow Marking Must Be Aligned

STEP 4

COMPLETE

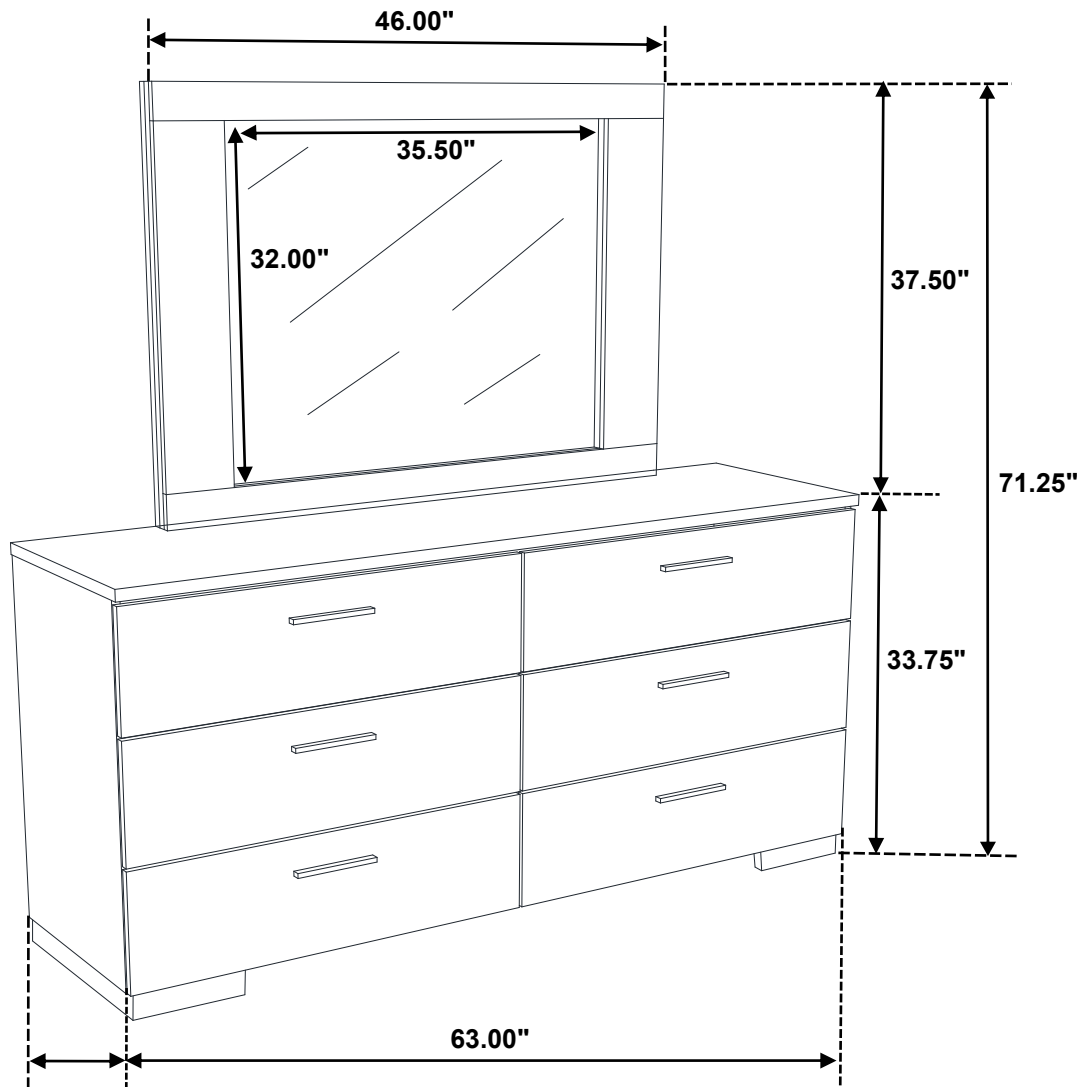


PLEASE REMOVE THE PROTECTIVE FILM BEFORE USE



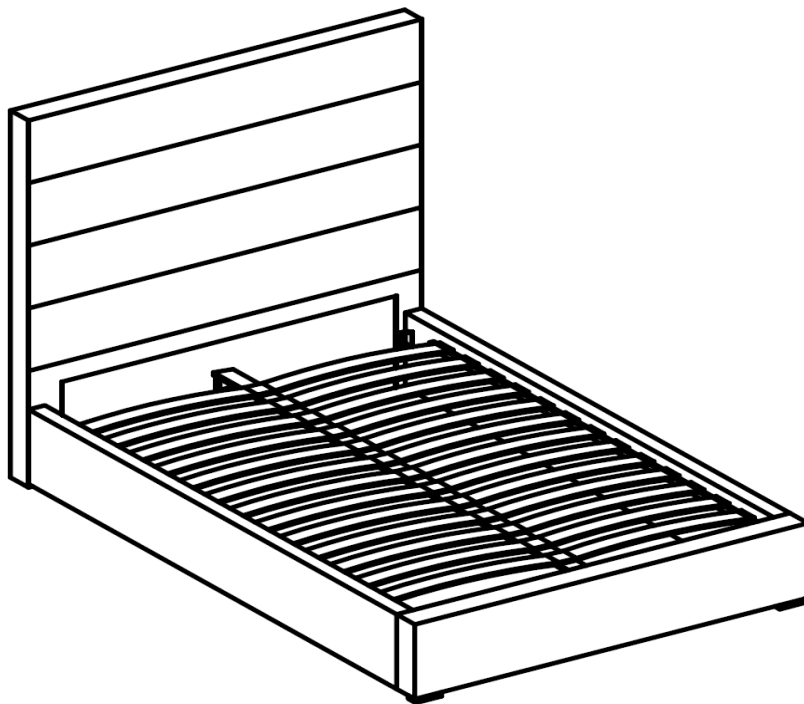
ITEM:203504

COASTER
FINE FURNITURE



Note : Dimension tolerance $\pm 5\%$

ASSEMBLY INSTRUCTIONS
COASTER FINE FURNITURE



Fine Furniture for every stage of life

203511F (B1&B2)
Full Bed

ITEM: 203511F (B1&B2)



ASSEMBLY INSTRUCTIONS

ASSEMBLY TIPS:

1. Remove hardware from box and sort by size.
2. Please check to see that all hardware and parts are present prior to start of assembly.
3. Please follow attached instructions in the same sequence as numbered to assure fast & easy assembly.



WARNING!

1. Don't attempt to repair or modify parts that are broken or defective. Please contact the store immediately.
2. This product is for home use only and not intended for commercial establishments.



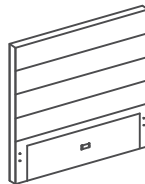
ASSEMBLY TIME

20 MINUTES

PARTS IDENTIFICATION

B1 (BOX 1)

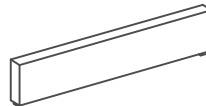
A HEADBOARD



1PC

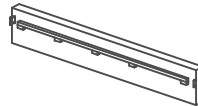
B2 (BOX 2)

B FOOTBOARD



1PC

C BED RAIL



2PCS

D BED SLAT



26PCS

E BED SLAT SUPPORT



2PCS

F CENTER RAIL



1PC

G BED SLAT
CENTER HOLDER



13PCS

H BED SLAT
END HOLDER



26PCS

NOTE:

Phillips head screw driver is required in the assembly process; however, manufacturer does not provide this item.

ITEM: 203511F (B1&B2)



ASSEMBLY INSTRUCTIONS

ASSEMBLY TIPS:

1. Remove hardware from box and sort by size.
2. Please check to see that all hardware and parts are present prior to start of assembly.
3. Please follow attached instructions in the same sequence as numbered to assure fast & easy assembly.





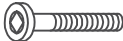
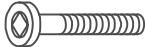

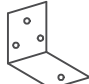


WARNING!

1. Don't attempt to repair or modify parts that are broken or defective. Please contact the store immediately.
2. This product is for home use only and not intended for commercial establishments.

HARDWARE IDENTIFICATION

Z-B2 (BOX 2) - HARDWARE PACK IS LOCATED IN 203511Q (B2)

1	SMALL ALLEN WRENCH (M4 x 65mm - BLK)		1PC
2	BIG ALLEN WRENCH (M5 x 70mm - BLK)		1PC
3	SHORT FLAT HEAD SCREW (M3.5 x 16mm - RBW)		6PCS
4	LONG FLAT HEAD SCREW (M4 x 25mm - RBW)		2PCS
5	SHORT BOLT (M8 x 30mm - BLK)		8PCS
6	LONG BOLT (M6 x 40mm - BLK)		2PCS
7	LEVELER		2PCS
8	METAL BRACKET		2PCS

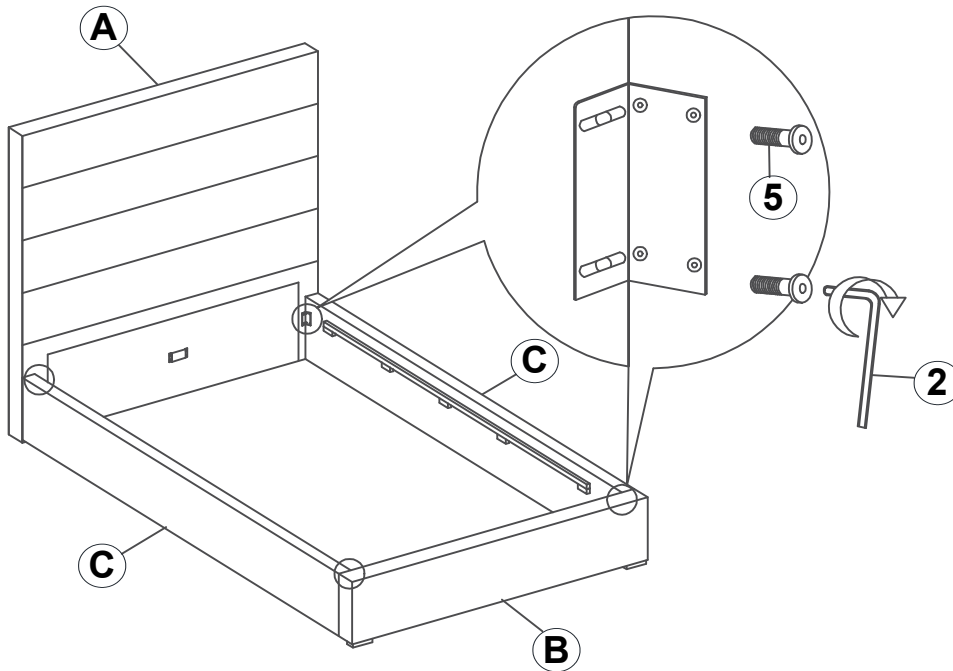
NOTE:

Phillips head screw driver is required in the assembly process; however, manufacturer does not provide this item.

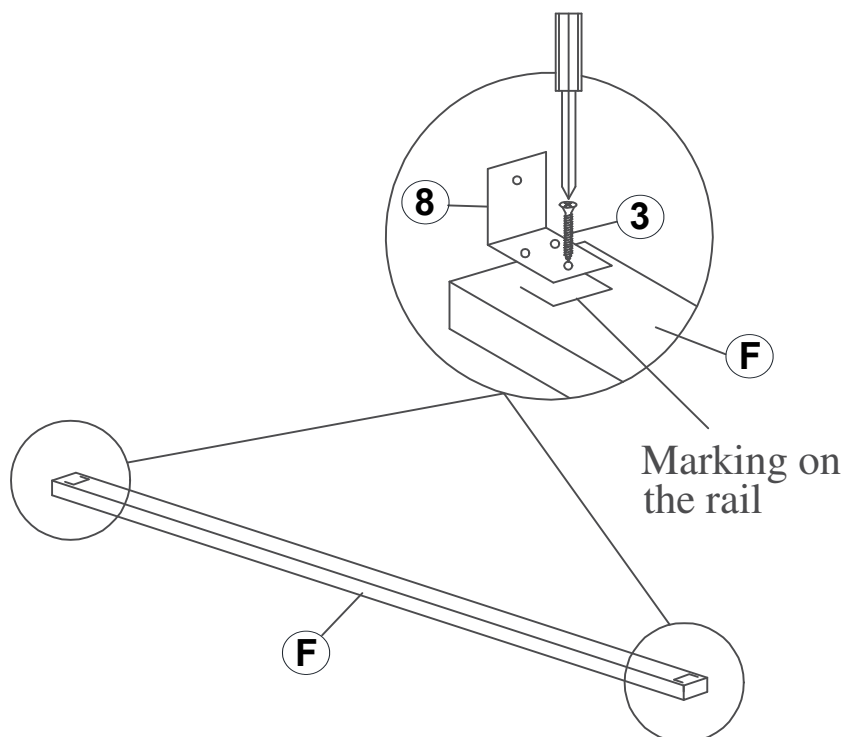
ITEM: 203511F (B1&B2)

ASSEMBLY INSTRUCTIONS

STEP 1



STEP 2



****BACK VIEW****

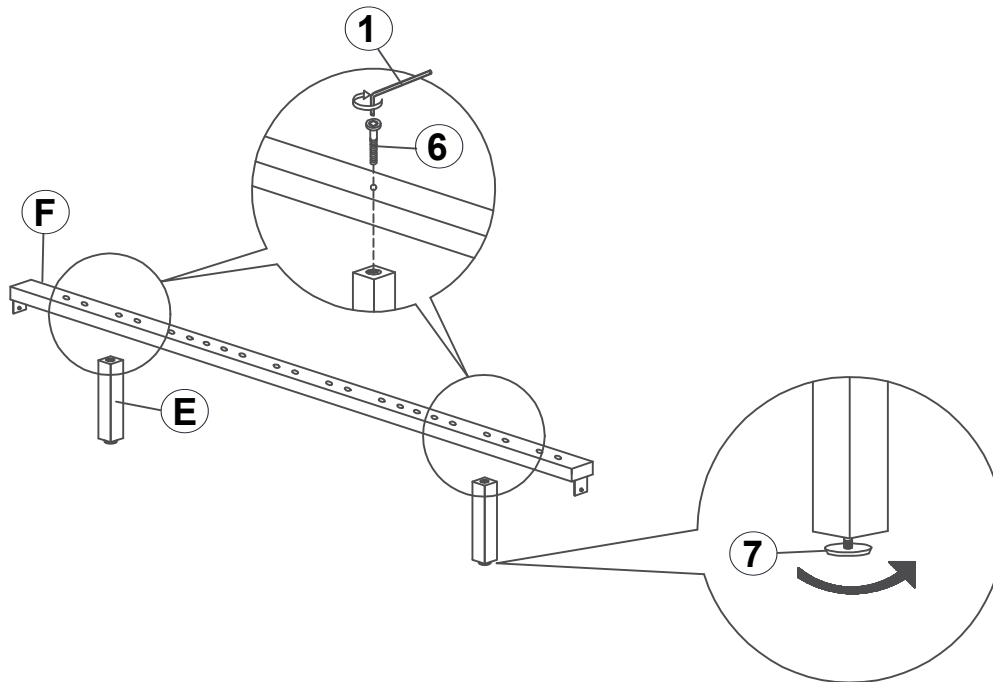
ITEM: 203511F (B1&B2)

ASSEMBLY INSTRUCTIONS

STEP 3

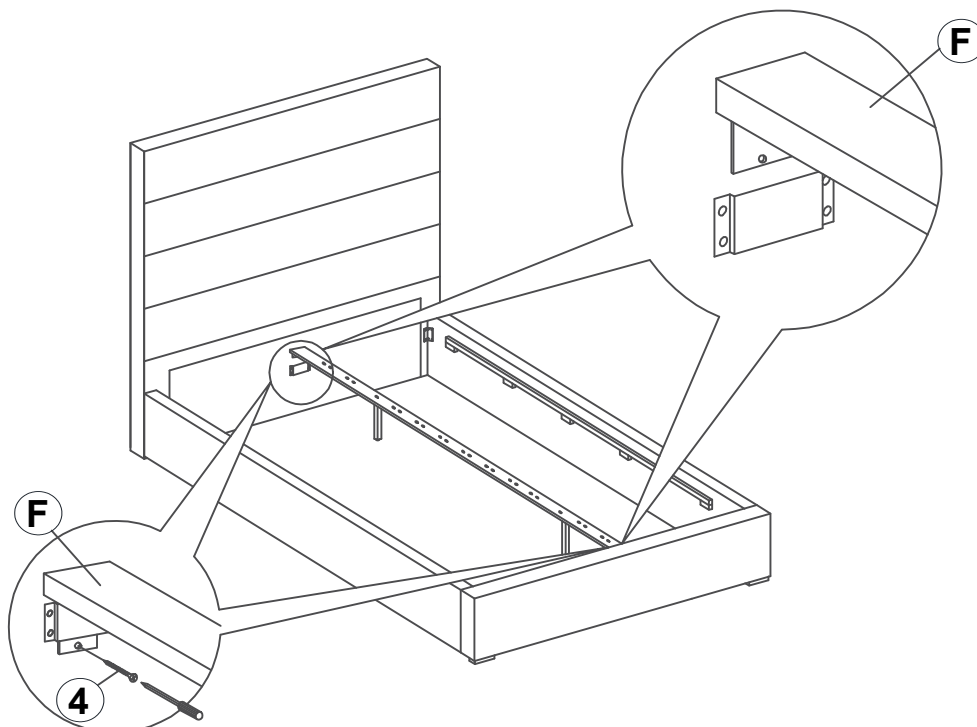
ATTENTION:

Please keep the leveler around 5 to 8 mm distance away from the floor.



STEP 4

Please ensure that (4) screw is being attached as shown to avoid the base being collapse.

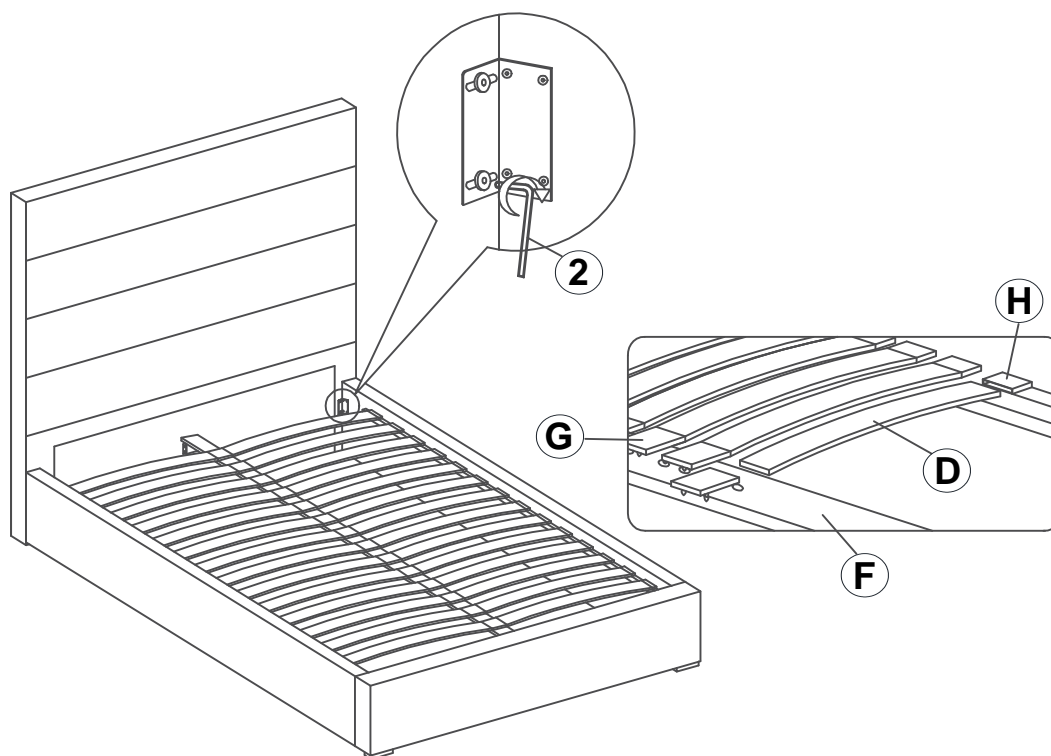


ITEM: 203511F (B1&B2)

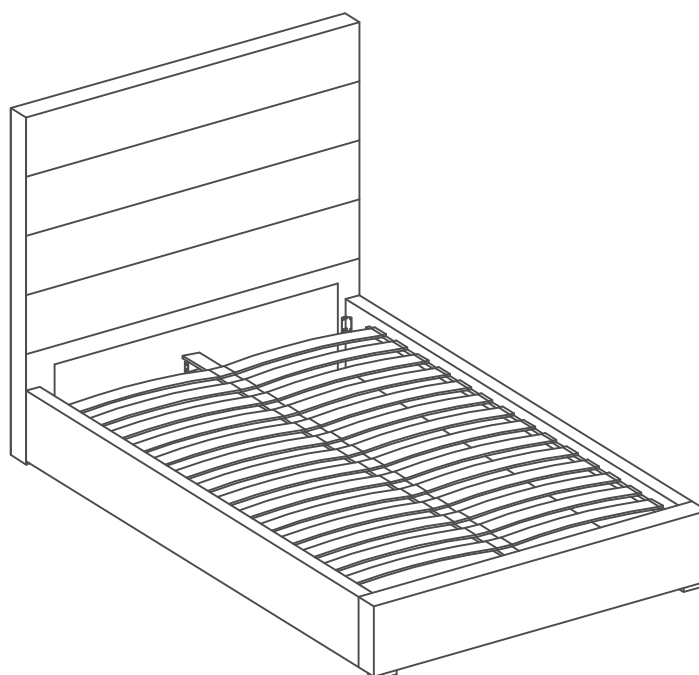
ASSEMBLY INSTRUCTIONS



STEP 5



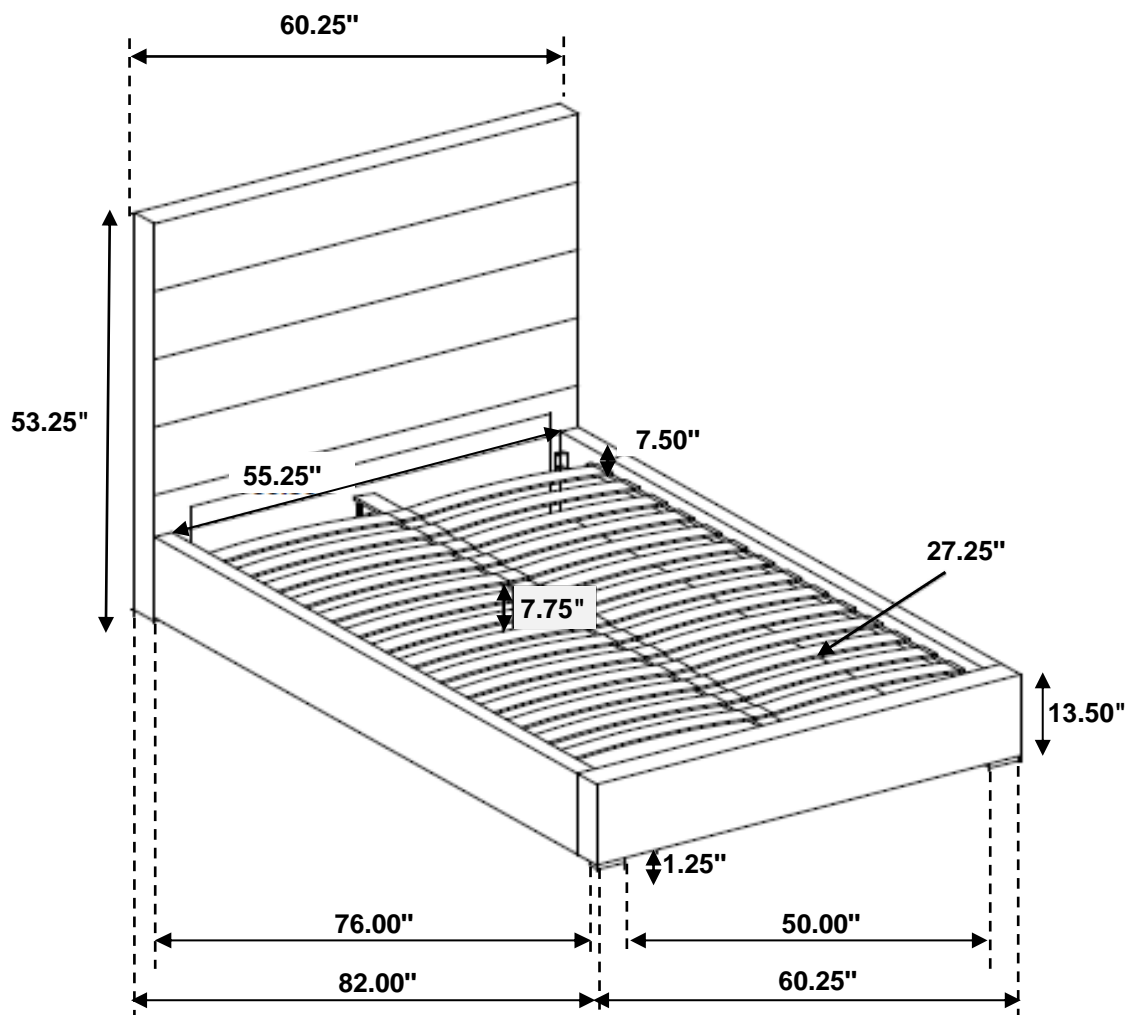
STEP 6 COMPLETE



ITEM: **203511F (B1&B2)**



Inner Size : 55.25"W X 76.00"D



Note: Dimension tolerance $\pm 5\%$