



ASSEMBLY INSTRUCTIONS  
COASTER FINE FURNITURE



*Fine Furniture for every stage of life*

551451  
ARMLESS CHAIR

# ITEM: 551451

## ASSEMBLY INSTRUCTIONS



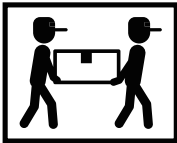
### ASSEMBLY TIPS:

1. Remove hardware from box and sort by size.
2. Please check to see that all hardware and parts are present prior to start of assembly.
3. Please follow attached instructions in the same sequence as numbered to assure fast & easy assembly.



### WARNING!

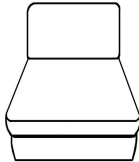

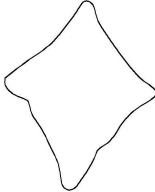
1. Don't attempt to repair or modify parts that are broken or defective. Please contact the store immediately.
2. This product is for home use only and not intended for commercial establishments.



ASSEMBLY TIME

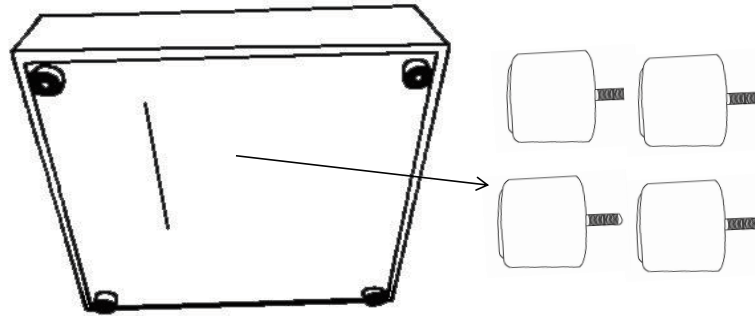
5 MINUTES

## PARTS IDENTIFICATION

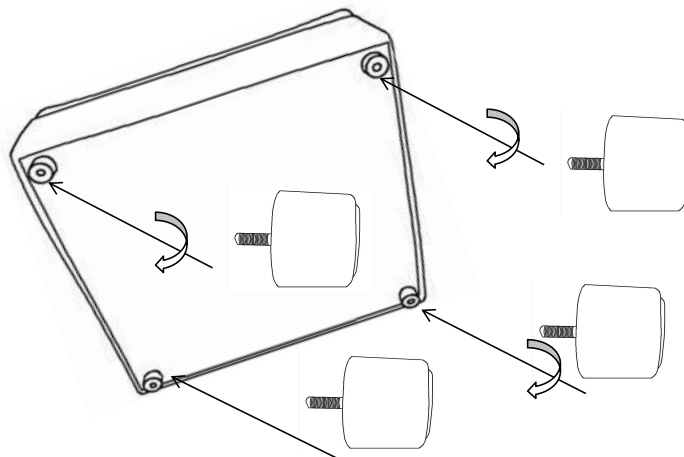
	PART NAME	FIGURE	QUANTITY
A	ARMLESS CHAIR BASE		1PC
B	LEG		4PCS
C	PILLOW		2PCS

ITEM: 551451

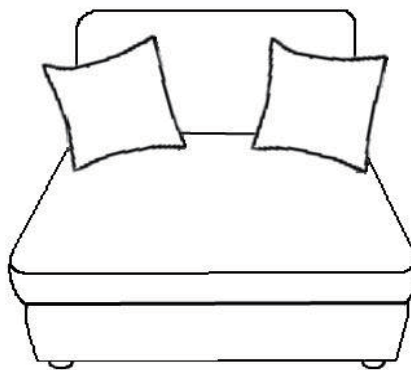
ASSEMBLY INSTRUCTIONS  
STEP 1



STEP 2

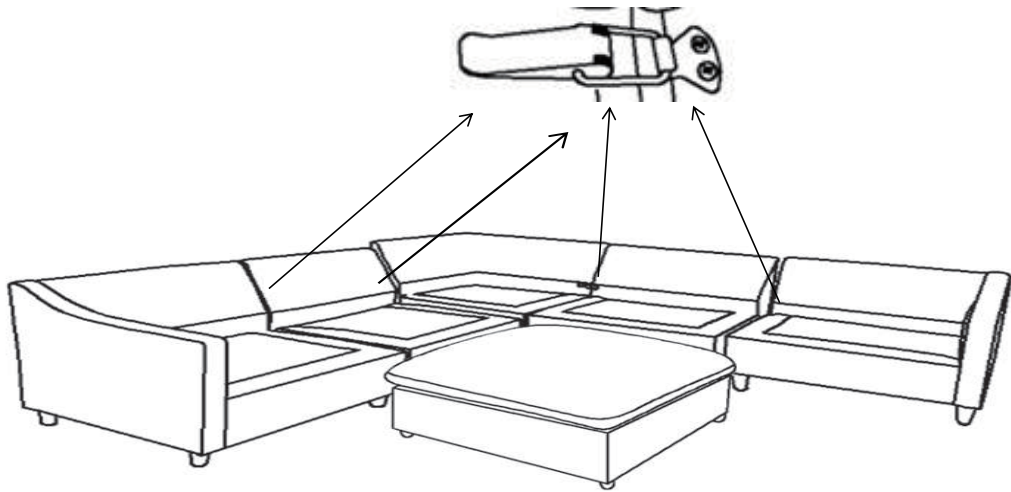


STEP 3

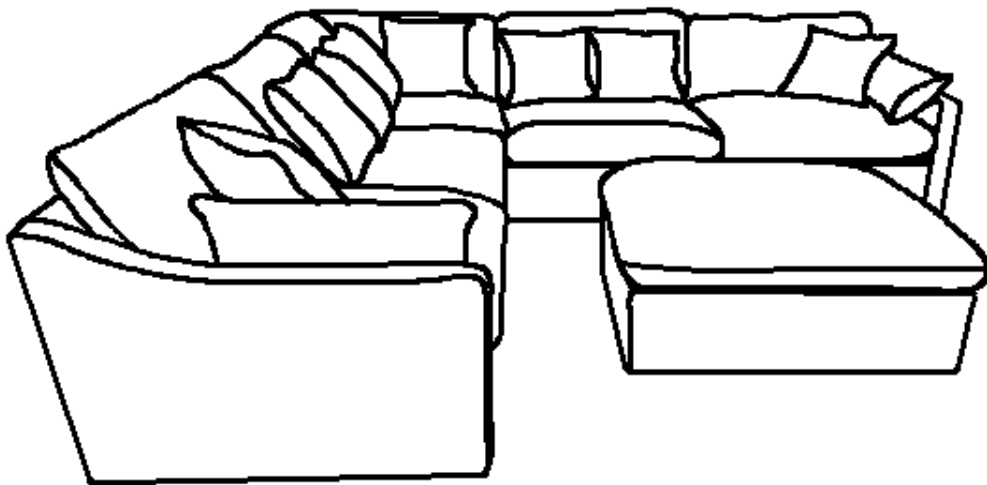


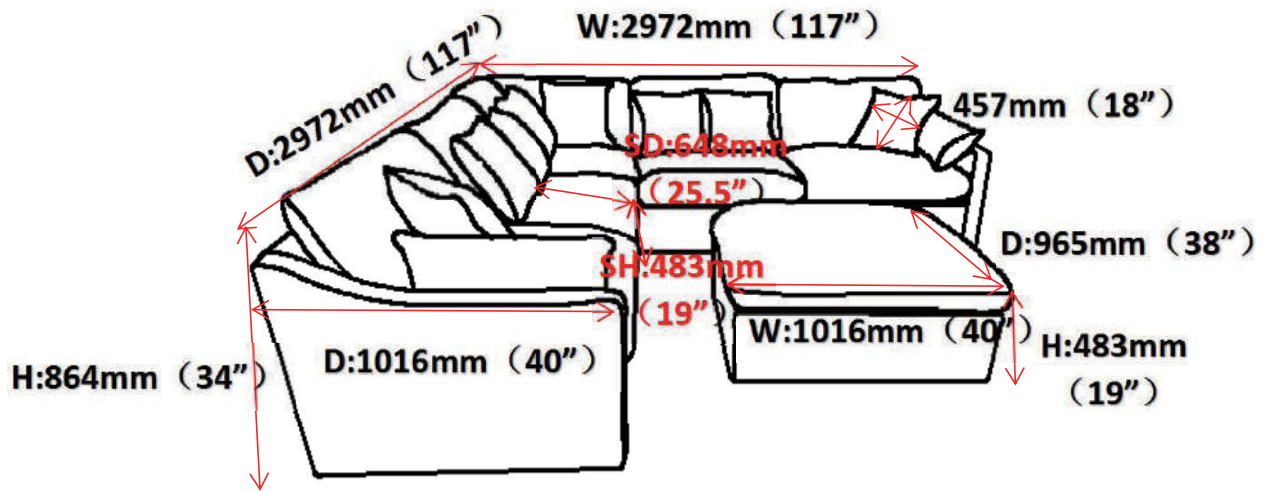
ITEM: 551451

ASSEMBLY INSTRUCTIONS  
STEP 2



STEP 1





Note : Dimension tolerance  $\pm 5\%$



*ASSEMBLY INSTRUCTIONS  
COASTER FINE FURNITURE*



**551452  
CORNER**

# ITEM: 551452

## ASSEMBLY INSTRUCTIONS



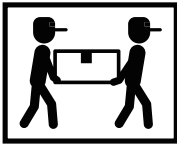
### ASSEMBLY TIPS:

1. Remove hardware from box and sort by size.
2. Please check to see that all hardware and parts are present prior to start of assembly.
3. Please follow attached instructions in the same sequence as numbered to assure fast & easy assembly.



### WARNING!


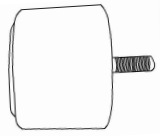
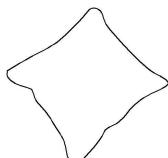
1. Don't attempt to repair or modify parts that are broken or defective. Please contact the store immediately.
2. This product is for home use only and not intended for commercial establishments.



ASSEMBLY TIME

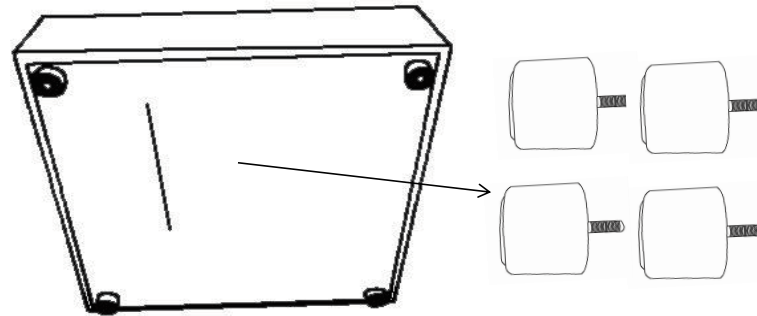
5 MINUTES

## PARTS IDENTIFICATION

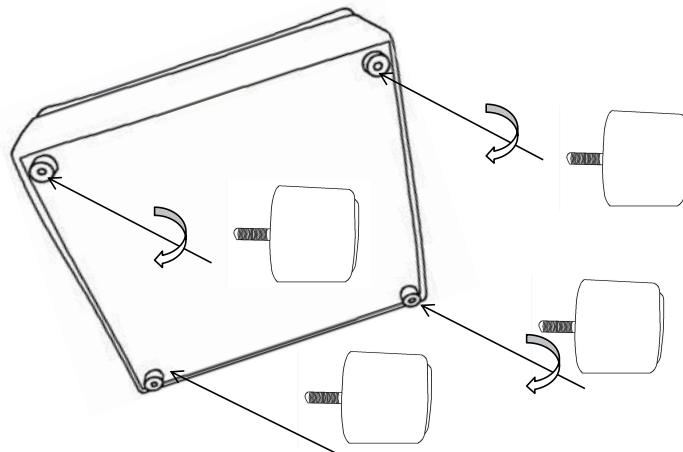
	PART NAME	FIGURE	QUANTITY
D	ARMLESS CHAIR BASE		1PC
E	LEG		4PCS
F	PILLOW		2PCS

ITEM: 551452

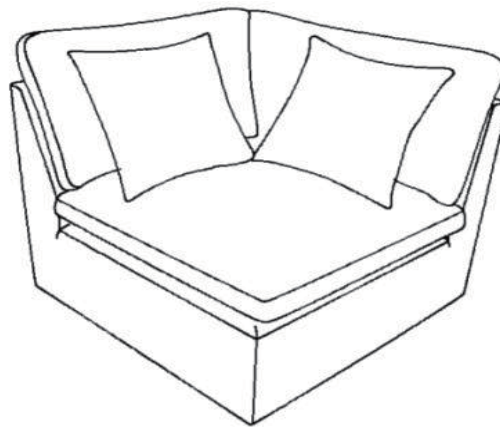
ASSEMBLY INSTRUCTIONS  
STEP 1



STEP 2



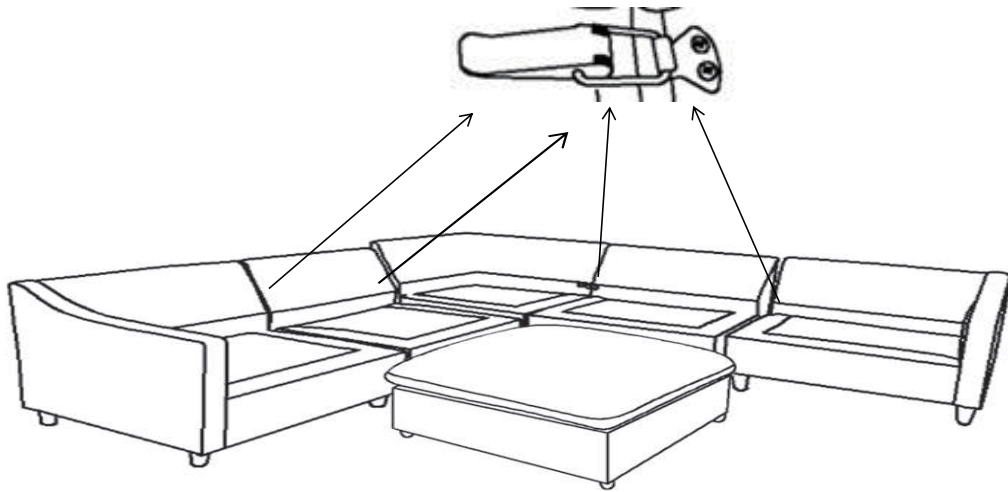
STEP 3



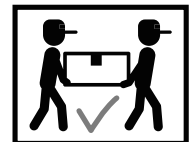
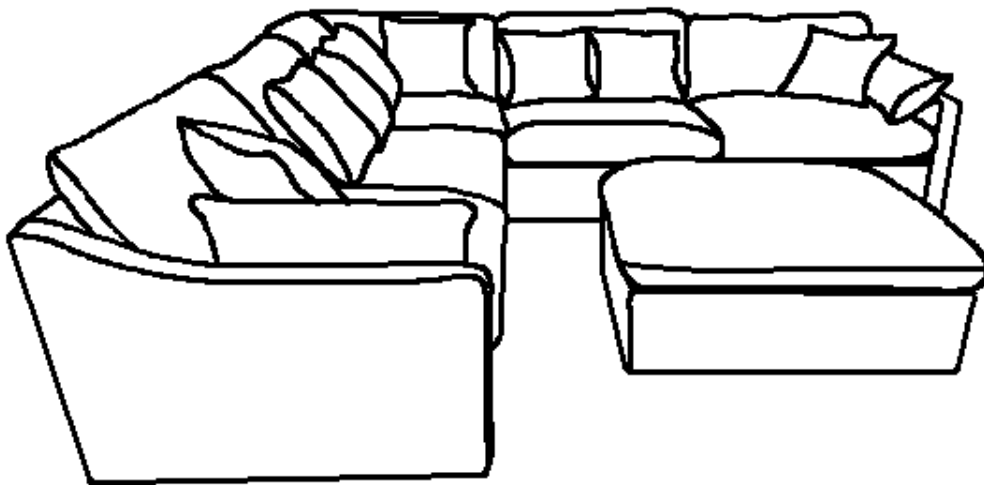
t

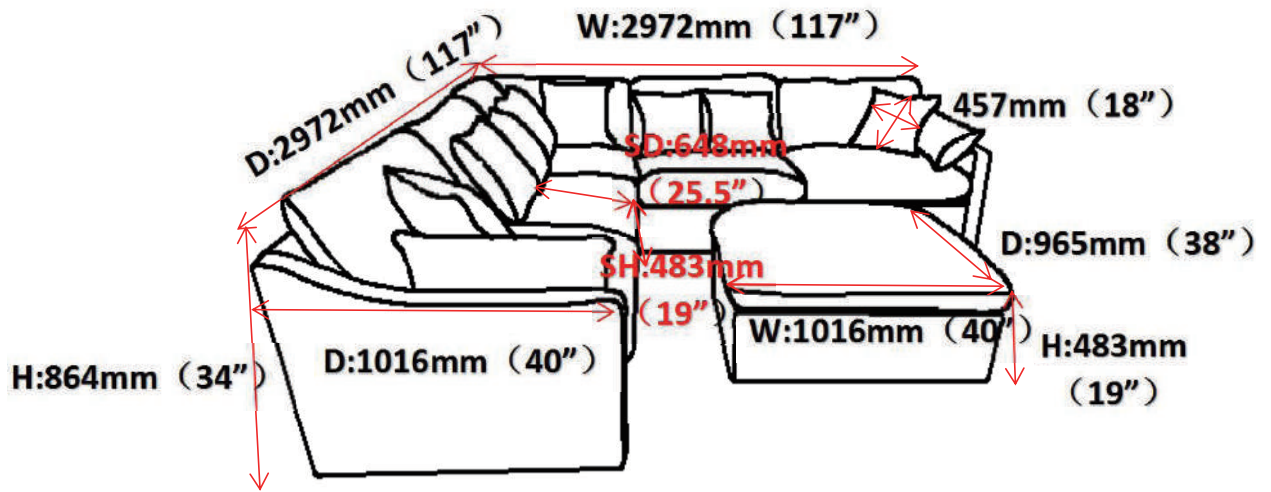
ITEM: 551452

ASSEMBLY INSTRUCTIONS  
STEP 2



STEP 1





Note : Dimension tolerance  $\pm 5\%$



*ASSEMBLY INSTRUCTIONS  
COASTER FINE FURNITURE*



**551454LAF  
LAF CHAIR**

# ITEM: 551454LAF

## ASSEMBLY INSTRUCTIONS



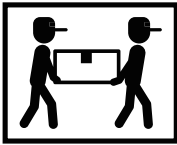
### ASSEMBLY TIPS:

1. Remove hardware from box and sort by size.
2. Please check to see that all hardware and parts are present prior to start of assembly.
3. Please follow attached instructions in the same sequence as numbered to assure fast & easy assembly.



### WARNING!

1. Don't attempt to repair or modify parts that are broken or defective. Please contact the store immediately.
2. This product is for home use only and not intended for commercial establishments.



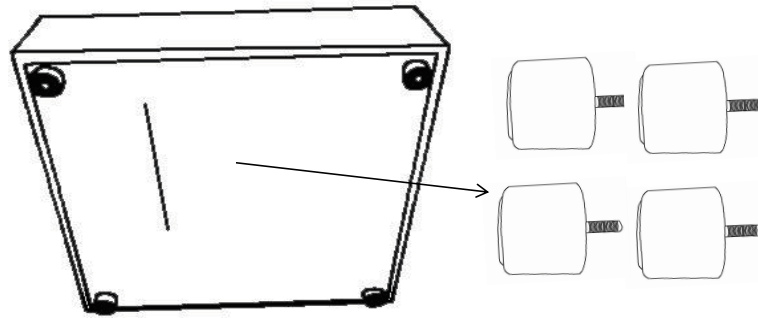
ASSEMBLY TIME

5 MINUTES

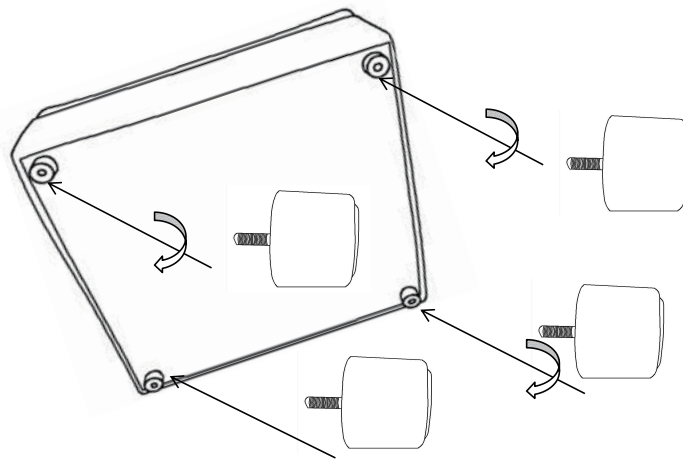
## PARTS IDENTIFICATION

	PART NAME	FIGURE	QUANTITY
M	LAF CHAIR		1PC
O	LEG		4PCS
P	PILLOW		1PC
Q	ARM PILLOW		1PC

**ITEM: 551454LAF**  
**ASSEMBLY INSTRUCTIONS**  
**STEP 1**



**STEP 2**



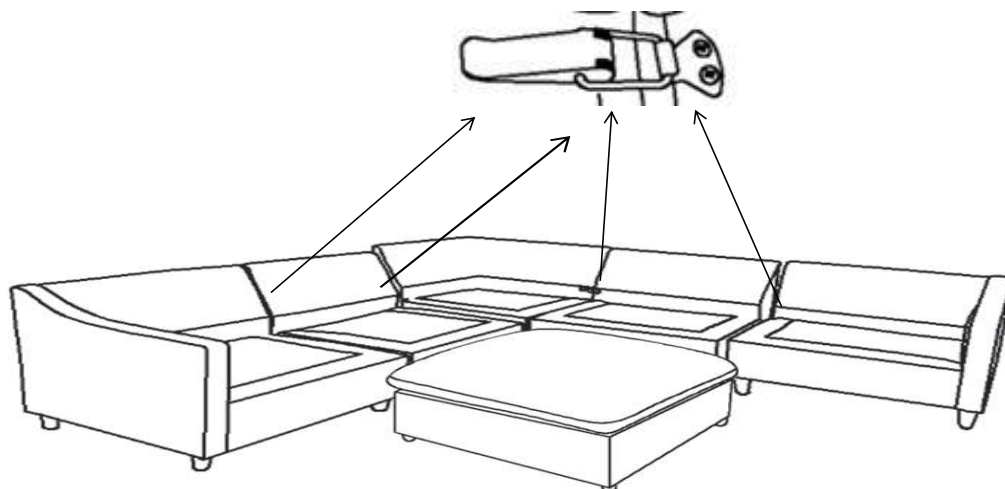
**STEP 3**



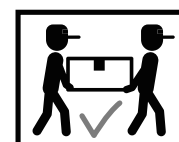
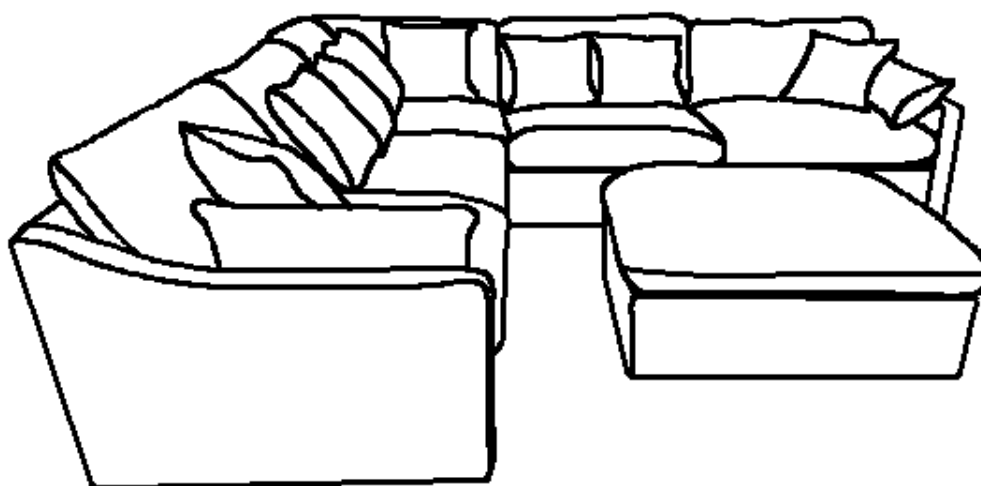
t

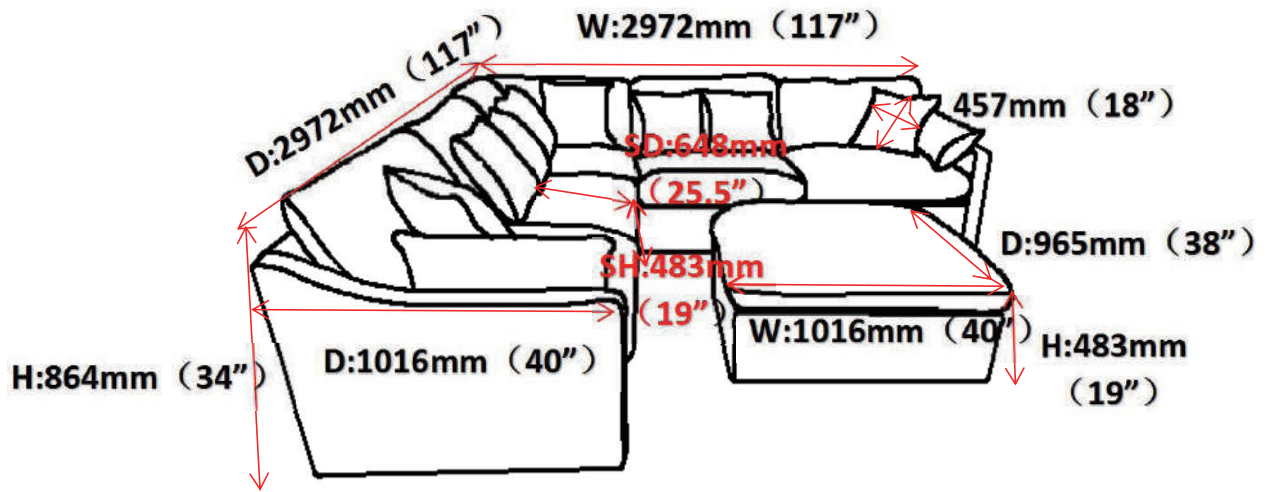
ITEM: 551454LAF

ASSEMBLY INSTRUCTIONS  
STEP 2



STEP 1

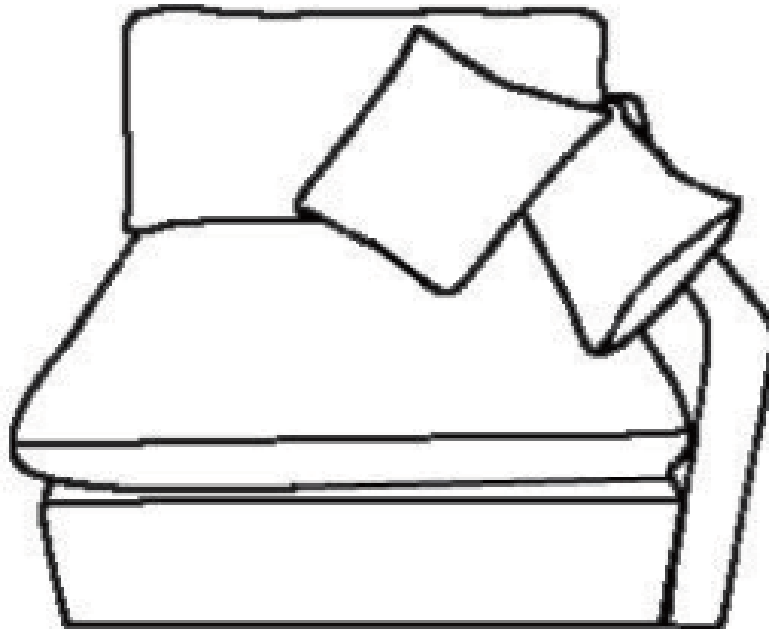




Note : Dimension tolerance  $\pm 5\%$



*ASSEMBLY INSTRUCTIONS*  
*COASTER FINE FURNITURE*



**551454RAF**  
**RAF CHAIR**

# ITEM: 551454RAF

## ASSEMBLY INSTRUCTIONS



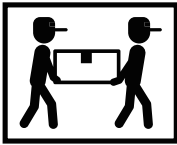
### ASSEMBLY TIPS:

1. Remove hardware from box and sort by size.
2. Please check to see that all hardware and parts are present prior to start of assembly.
3. Please follow attached instructions in the same sequence as numbered to assure fast & easy assembly.



### WARNING!

1. Don't attempt to repair or modify parts that are broken or defective. Please contact the store immediately.
2. This product is for home use only and not intended for commercial establishments.



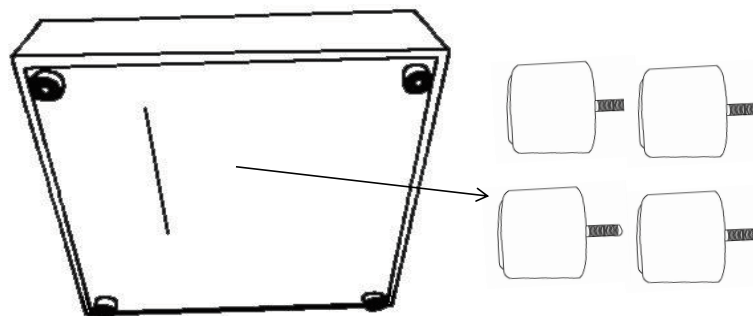
ASSEMBLY TIME

5 MINUTES

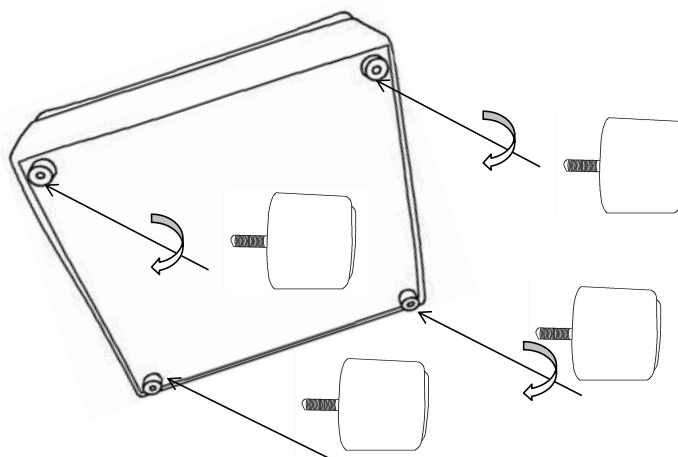
## PARTS IDENTIFICATION

	PART NAME	FIGURE	QUANTITY
I	RAF ARMLESS CHAIR BASE		1PC
J	LEG		4PCS
K	PILLOW		1PC
L	ARM PILLOW		1PC

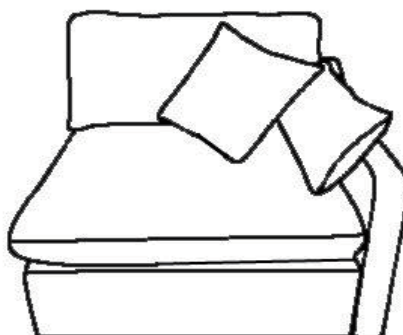
ITEM: 551454RAF  
ASSEMBLYINSTRUCTIONS  
STEP 1



STEP 2



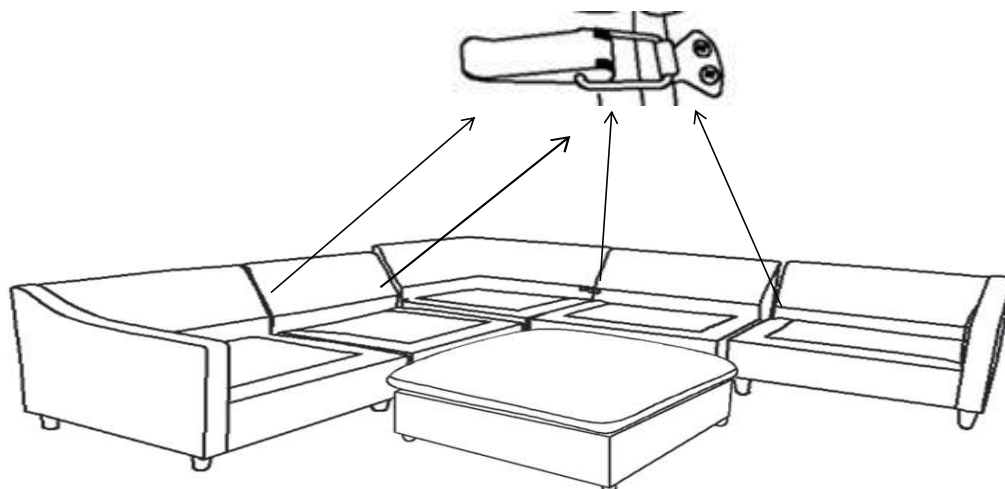
STEP 3



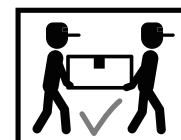
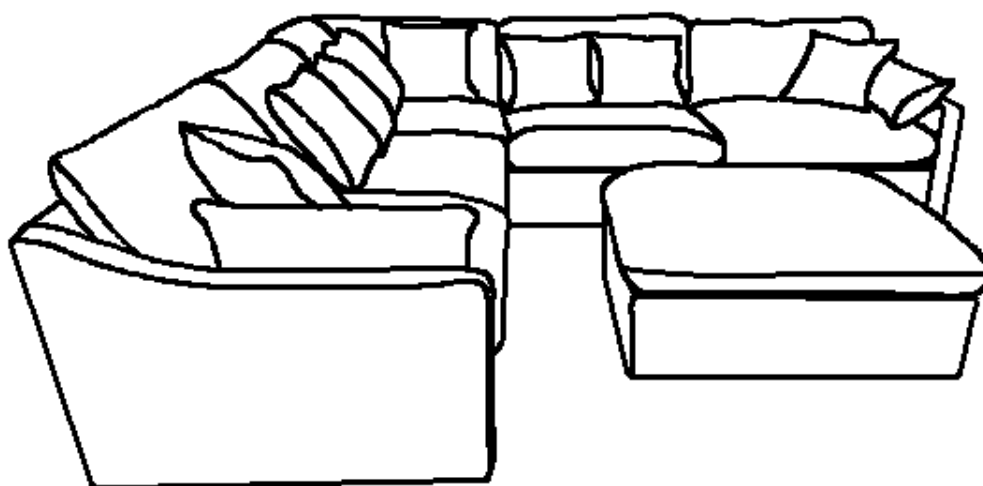
t

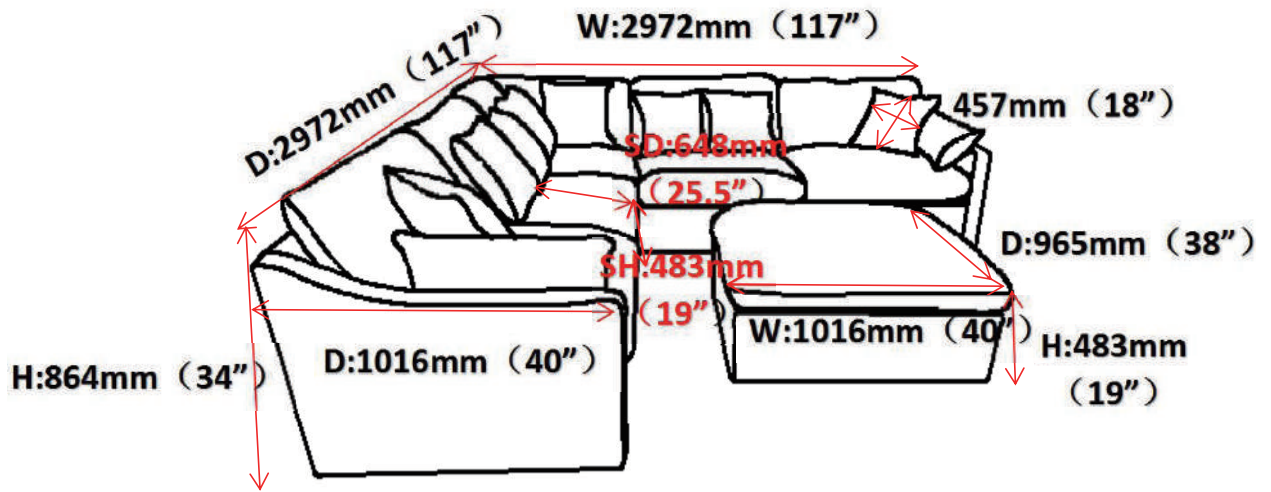
ITEM: 551454RAF

ASSEMBLY INSTRUCTIONS  
STEP 2



STEP 1





Note : Dimension tolerance  $\pm 5\%$