

ASSEMBLY INSTRUCTIONS
COASTER FINE FURNITURE



Fine Furniture for every stage of life

225091Q (B1-B3)
Queen Bed

ITEM: 225091Q (B1-B3)



ASSEMBLY INSTRUCTIONS

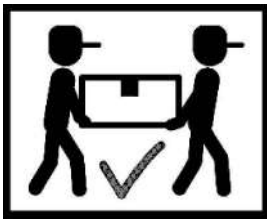
ASSEMBLY TIPS:

1. Remove hardware from box and sort by size.
2. Please check to see that all hardware and parts are present prior to start of assembly.
3. Please follow attached instructions in the same sequence as numbered to assure fast & easy assembly.



WARNING!

1. Don't attempt to repair or modify parts that are broken or defective. Please contact the store immediately.
2. This product is for home use only and not intended for commercial establishments.



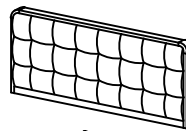
ASSEMBLY TIME

35 MINUTES

PARTS IDENTIFICATION

B1 (BOX 1)

A HEADBOARD PANEL



1PC

B LEFT HEADBOARD LEG



1PC

C RIGHT HEADBOARD LEG



1PC

D HEADBOARD BOTTOM RAIL



1PC

B2 (BOX 2)

E FOOTBOARD PANEL



1PC

F FOOTBOARD LEG



2PCS

B3 (BOX 3)

G BED RAIL



2PCS

H CENTER RAIL



1PC

I CENTER RAIL SUPPORT WITH LEVELER



2PCS

J ROLL SLAT (7PCS)



2SETS

ITEM: 225091Q (B1-B3)



ASSEMBLY INSTRUCTIONS

ASSEMBLY TIPS:

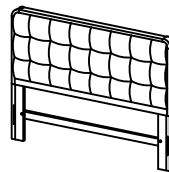
1. Remove hardware from box and sort by size.
2. Please check to see that all hardware and parts are present prior to start of assembly.
3. Please follow attached instructions in the same sequence as numbered to assure fast & easy assembly.



WARNING!

1. Don't attempt to repair or modify parts that are broken or defective. Please contact the store immediately.
2. This product is for home use only and not intended for commercial establishments.

HB **225091Q (B1)**
FROM BOX 1
HEADBOARD COMPLETE



1PC

FB **225091Q (B2)**
FROM BOX 2
FOOTBOARD COMPLETE



1PC

ITEM: 225091Q (B1-B3)



ASSEMBLY INSTRUCTIONS

ASSEMBLY TIPS:

1. Remove hardware from box and sort by size.
2. Please check to see that all hardware and parts are present prior to start of assembly.
3. Please follow attached instructions in the same sequence as numbered to assure fast & easy assembly.



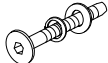
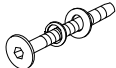







WARNING!

1. Don't attempt to repair or modify parts that are broken or defective. Please contact the store immediately.
2. This product is for home use only and not intended for commercial establishments.

HARDWARE IDENTIFICATION

Z-B3 (BOX 3) - HARDWARE PACK IS LOCATED IN 225091Q (B3)

1	ALLEN WRENCH (M4 x 110mm - BLK)		1PC
2	SHORT BOLT WITH WASHER (M6 x 25mm - BLK)		8PCS
3	MEDIUM BOLT WITH WASHER (M6 x 45mm - BLK)		12PCS
4	LONG BOLT WITH WASHER (M6 x 60mm - BLK)		4PCS
5	SHORT FLAT HEAD SCREW (M4 x 20mm - BLK)		8PCS
6	LONG FLAT HEAD SCREW (#8 x 1 1/8" - BLK)		28PCS
7	HEX NUT (M6 - RBW)		2PCS
8	U BRACKET (26 x 63 x 70mm - RBW)		2PCS
9	WRENCH (2 x 24.5 x 85 - RBW)		1PC

NOTE:

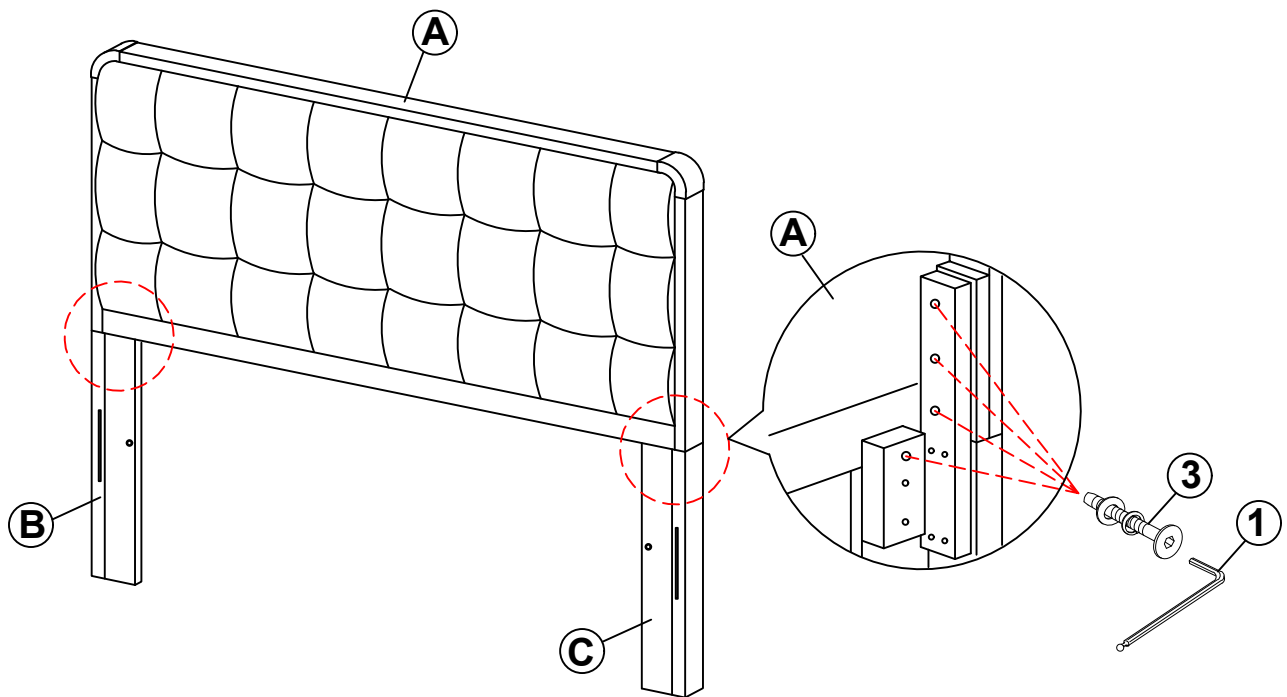
Phillips head screw driver is required in the assembly process; however, manufacturer does not provide this item.

ITEM: **225091Q (B1-B3)**

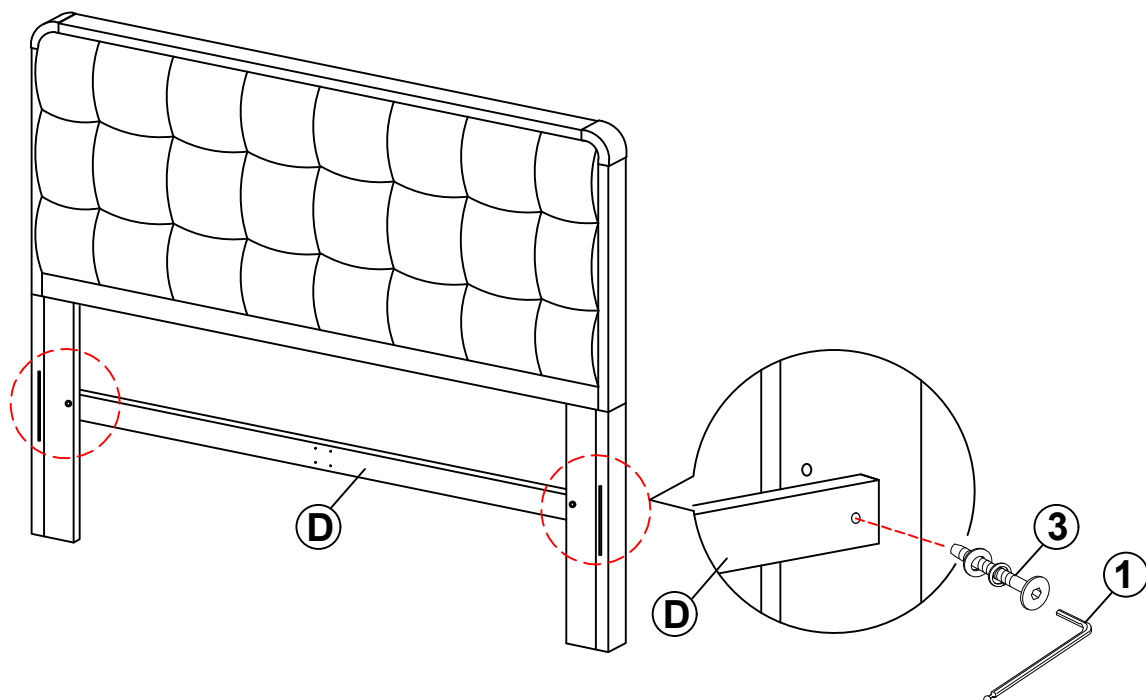


ASSEMBLY INSTRUCTIONS

STEP 1



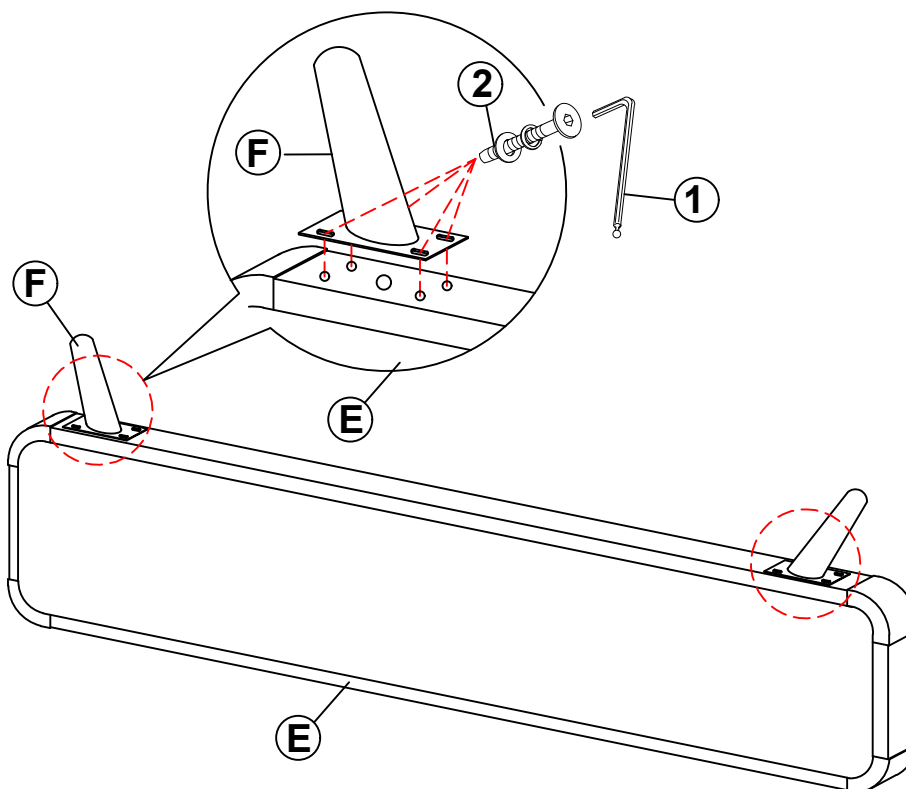
STEP 2



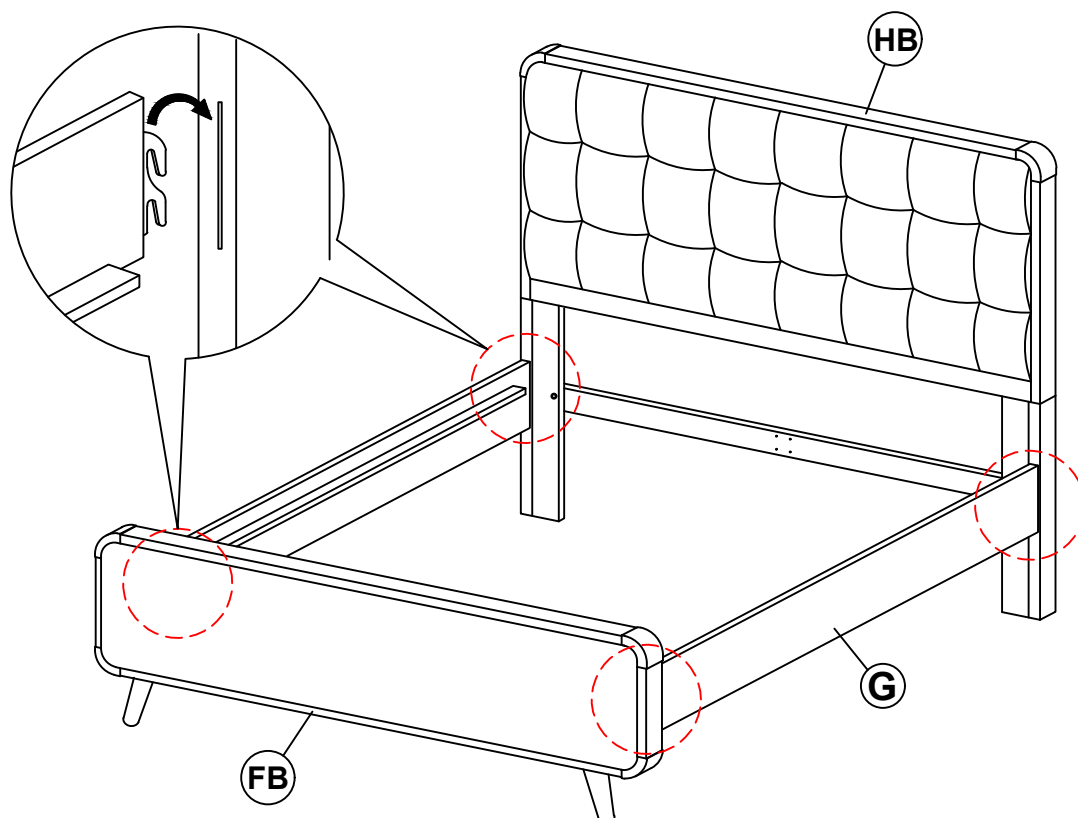
ITEM: **225091Q (B1-B3)**



ASSEMBLY INSTRUCTIONS
STEP 3



STEP 4

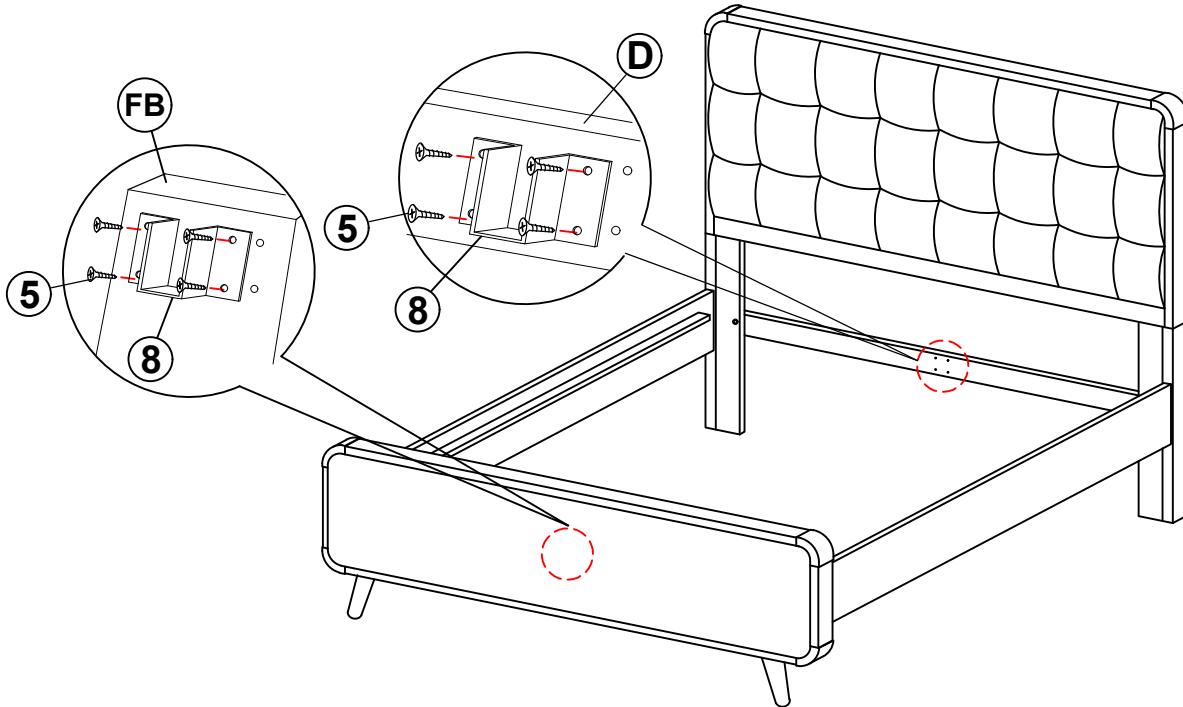


ITEM: 225091Q (B1-B3)



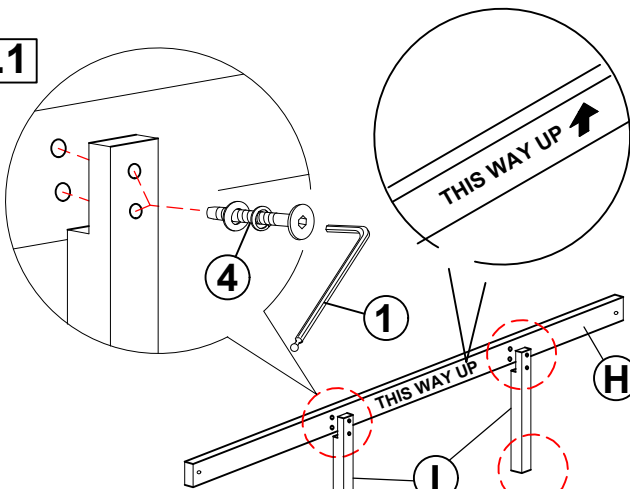
ASSEMBLY INSTRUCTIONS

STEP 5

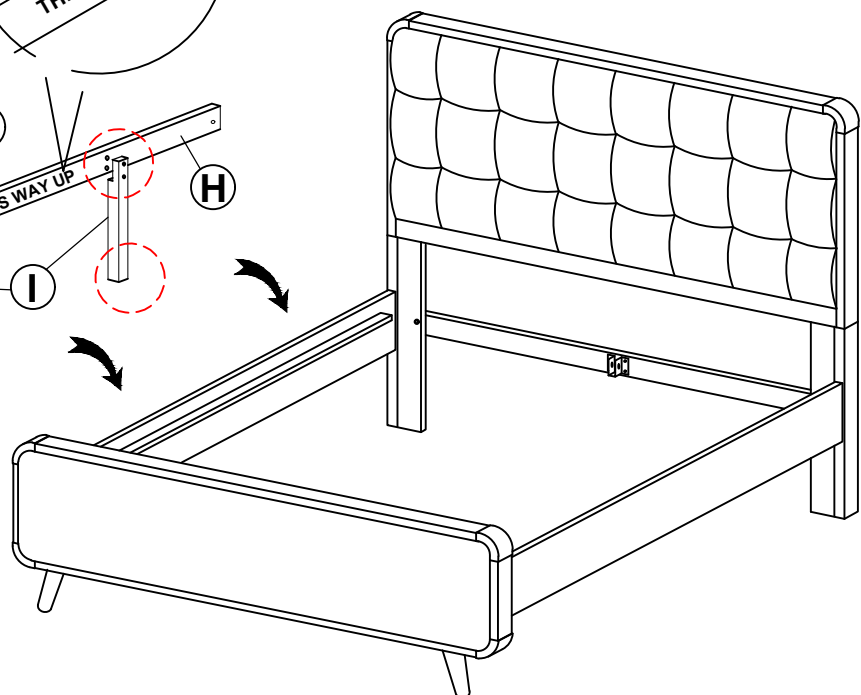
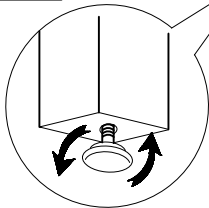


STEP 6

6.1



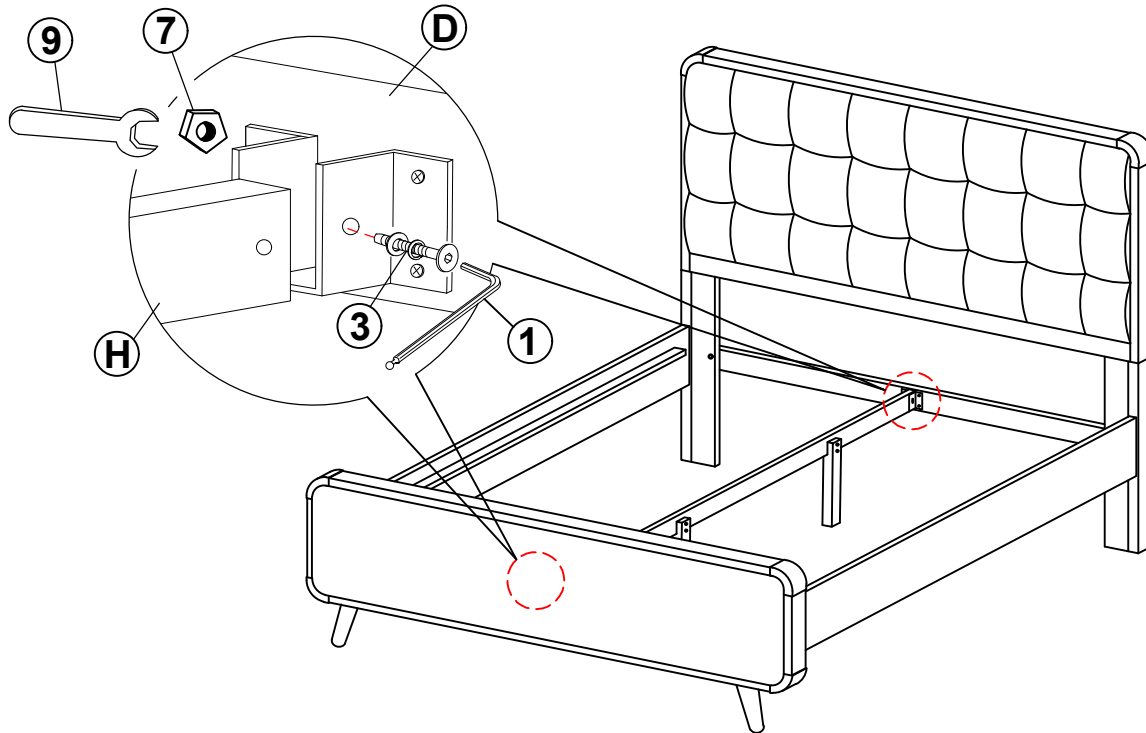
6.2



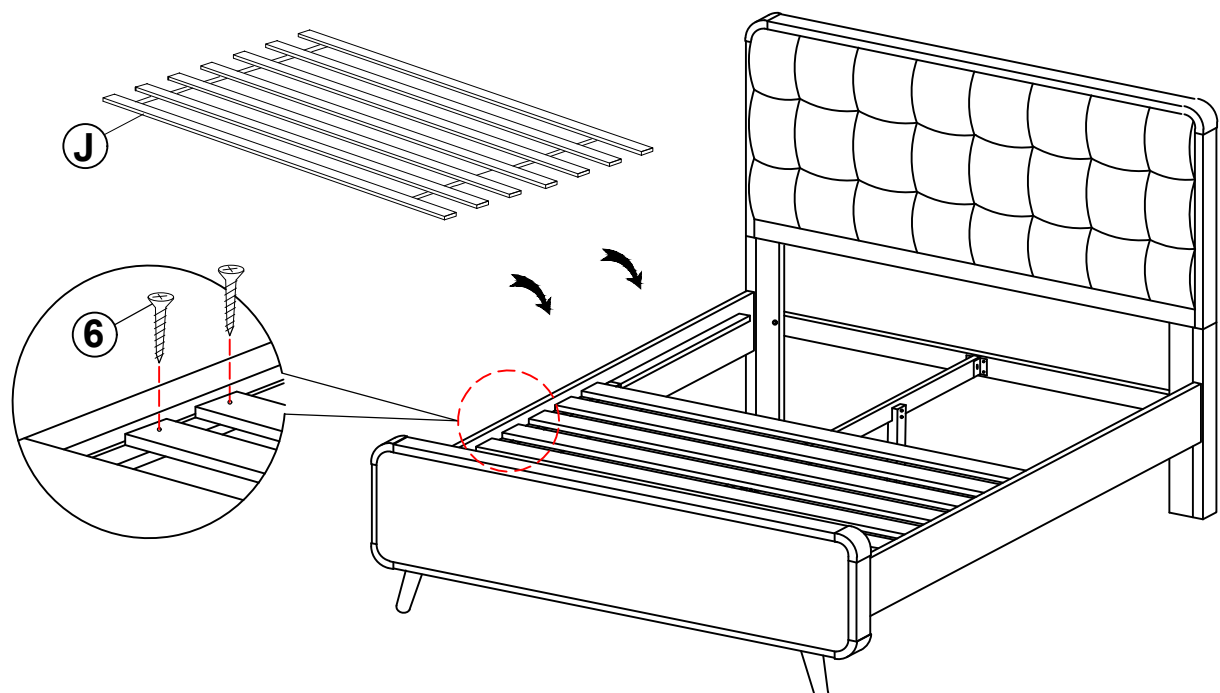
ITEM: **225091Q (B1-B3)**



ASSEMBLY INSTRUCTIONS
STEP 7



STEP 8



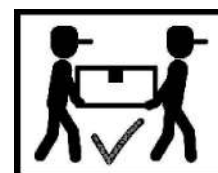
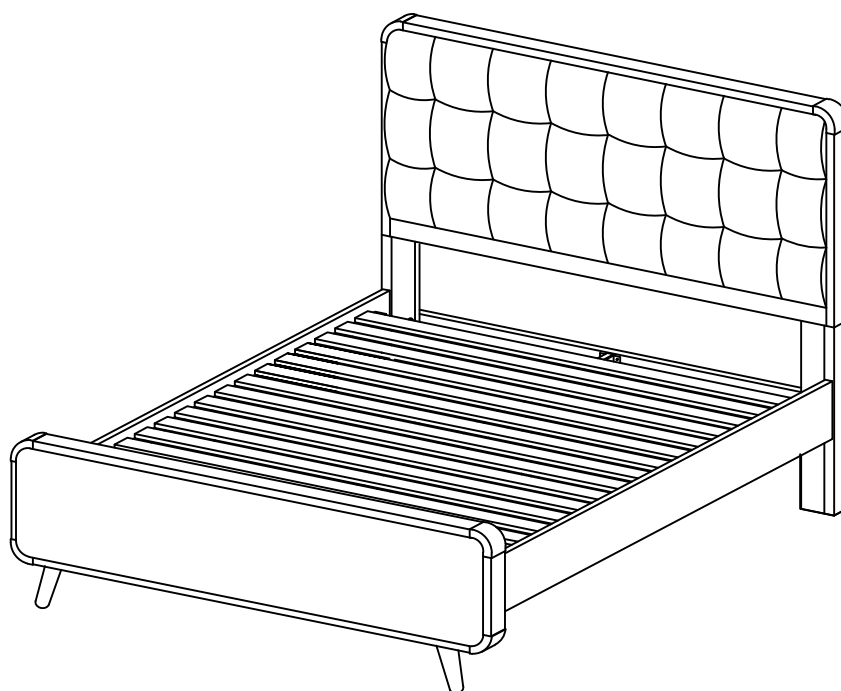
ITEM: **225091Q (B1-B3)**



ASSEMBLY INSTRUCTIONS

STEP 9

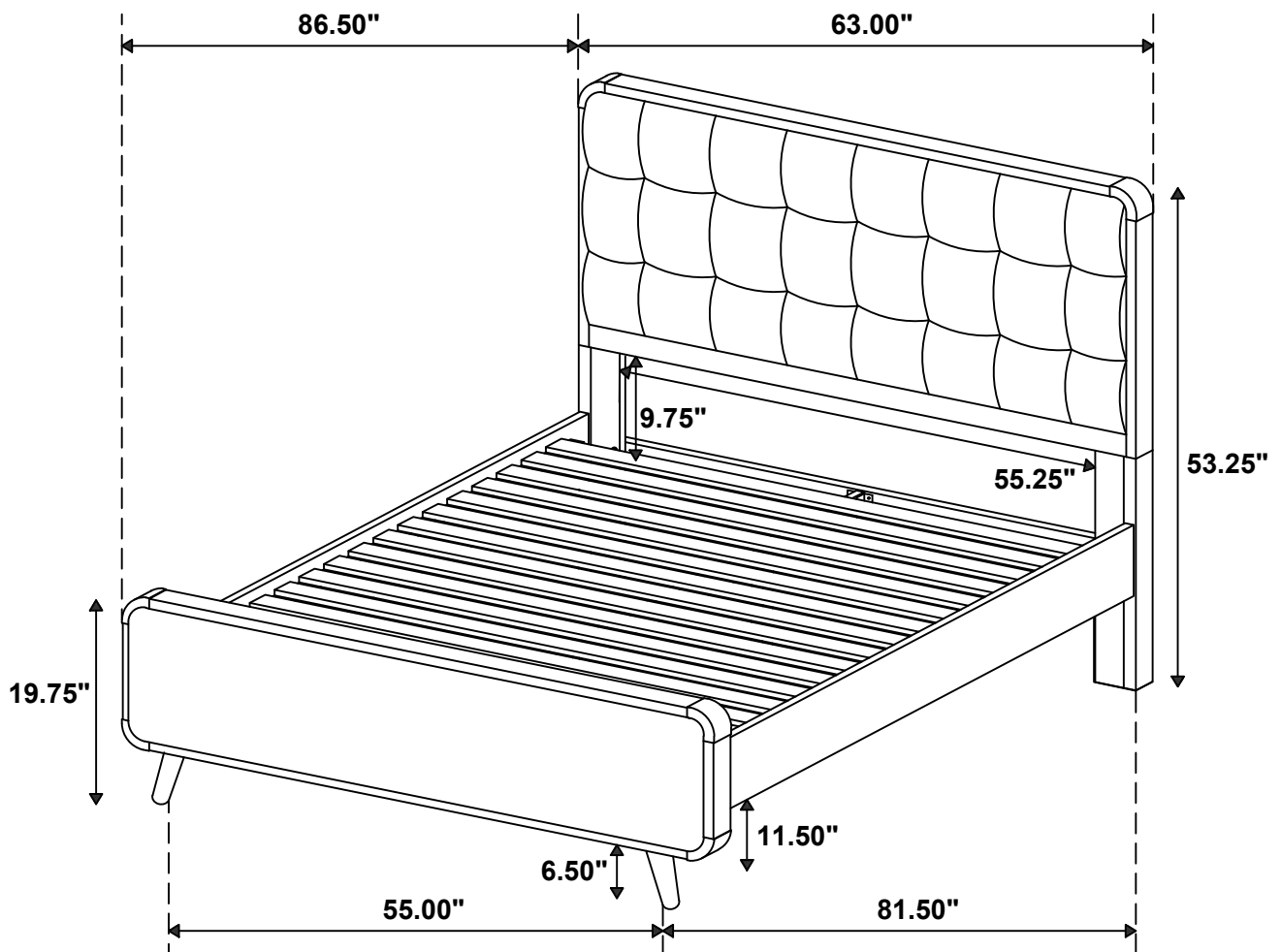
COMPLETE



ITEM: **225091Q (B1-B3)**



Inner Size : 61.00"W x 81.00"D



Note: Dimension tolerance $\pm 5\%$

ASSEMBLY INSTRUCTIONS
COASTER FINE FURNITURE



Fine Furniture for every stage of life

225092
Nightstand

ITEM:225092



ASSEMBLY INSTRUCTIONS

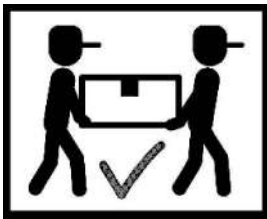
ASSEMBLY TIPS:

1. Remove hardware from box and sort by size.
2. Please check to see that all hardware and parts are present prior to start of assembly.
3. Please follow attached instructions in the same sequence as numbered to assure fast & easy assembly.



WARNING!

1. Don't attempt to repair or modify parts that are broken or defective. Please contact the store immediately.
2. This product is for home use only and not intended for commercial establishments.

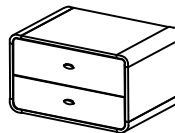


ASSEMBLY TIME

15 MINUTES

PARTS IDENTIFICATION

A NIGHTSTAND



1PC

B LEG



4PCS

HARDWARE IDENTIFICATION

1 ALLEN WRENCH
(M4 - BLK)



1PC

2 BOLT WITH WASHER
(M6 x 25mm - BLK)



12PCS

NOTE:

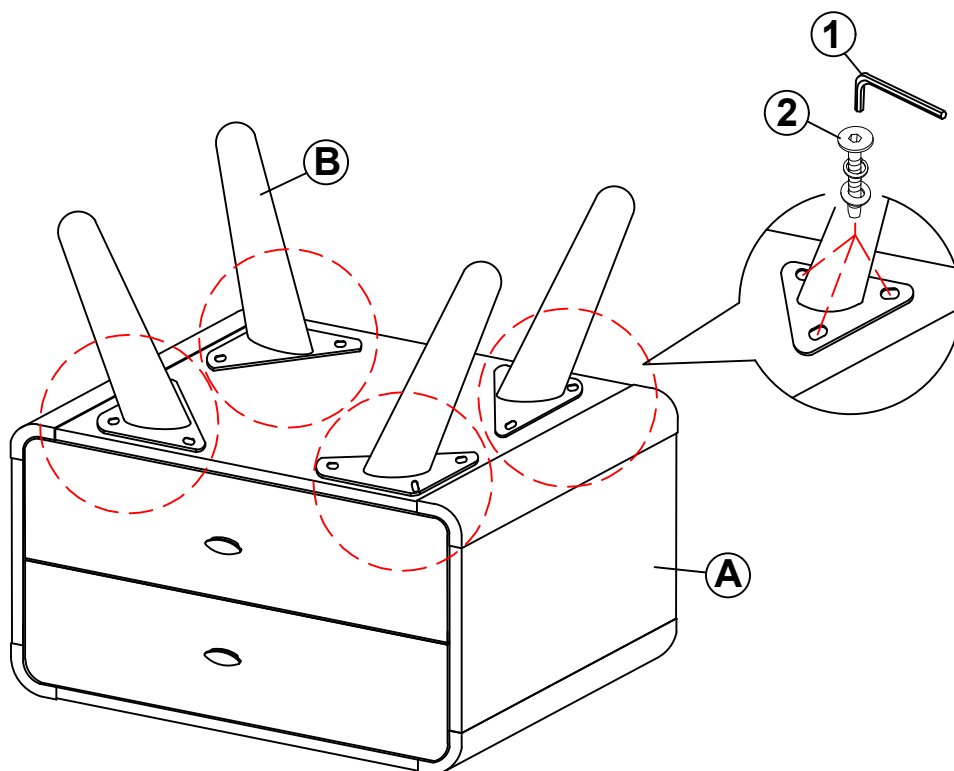
Phillips head screw driver is required in the assembly process; however, manufacturer does not provide this item.

ITEM: **225092**

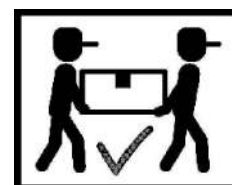
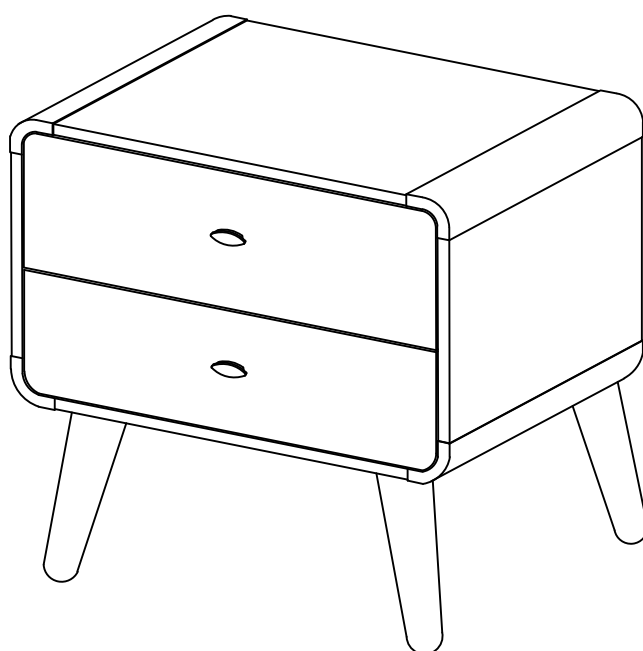


ASSEMBLY INSTRUCTIONS

STEP 1



STEP 2 COMPLETE



ITEM:225092



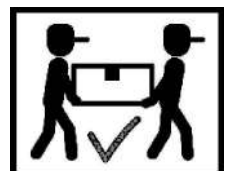
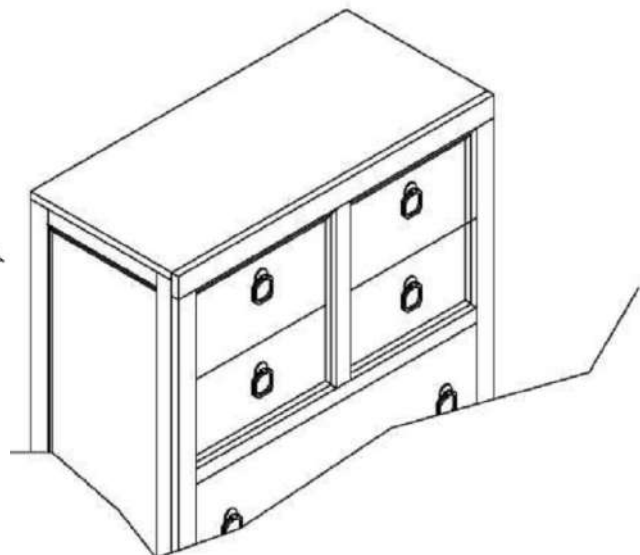
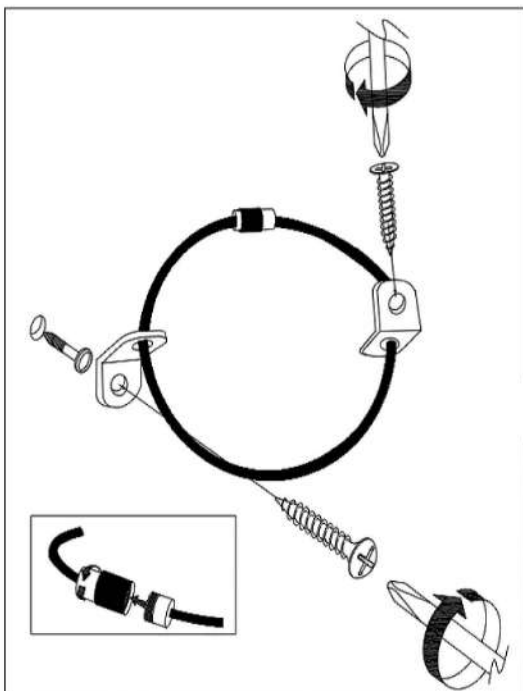
ANTI-TIPPING INSTALLMENT INSTRUCTIONS

FURNITURE TIPPING RESTRAINT

WARNING

Injury may result from tipping furniture.
This restraint may protect against tipping furniture.
Do not allow children to climb on furniture.
This restraint is not a substitute for proper adult supervision.
Failure to detach this restraint before moving the furniture may result in injury and damage.

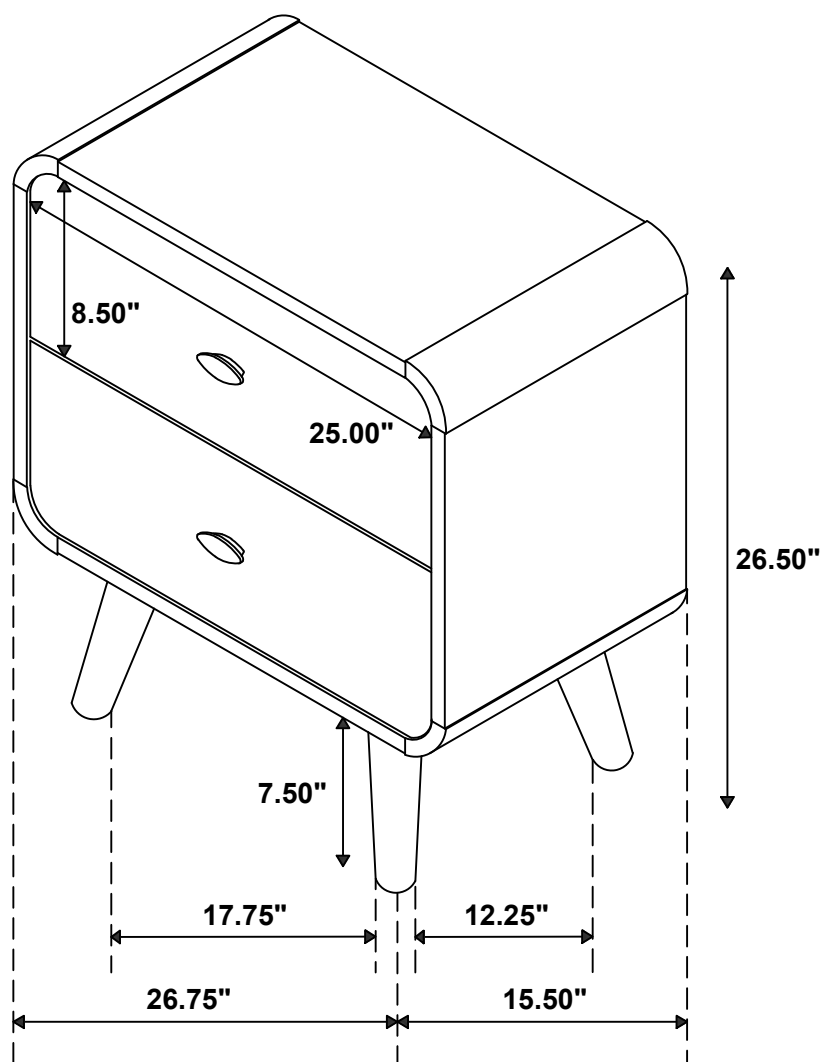
1. Attach one of the mounting brackets securely to the back edge of the unit, using the short screw.
2. Determine where the unit is to be placed, and mark the location on the wall for the other mounting bracket. The bracket on the wall needs to be approximately 2" below the bracket mounted to the edge of the unit.
3. Drill a hole in the wall. Insert the plastic wall anchor into the hole and if necessary, use a small block of wood and hammer to tap it in so that it's flush with the wall.
4. Attach the bracket over the plastic wall anchor using the long screw.
5. Place the unit against the wall, both brackets need to be facing each other.
6. Lace an end of the restraint strap through the hole in each bracket. Bring both ends together and rotate the thumb nut onto the threaded end until tight.
7. Ensure that the restraint strap is securely laced and locked.



ITEM:225092



Inner Size of Drawer : 20.75"W x 12.25"D x 5.50"H x 0.50"T



Note : Dimension tolerance $\pm 5\%$

ASSEMBLY INSTRUCTIONS
COASTER FINE FURNITURE



Fine Furniture for every stage of life

225093
Dresser

ASSEMBLY INSTRUCTIONS

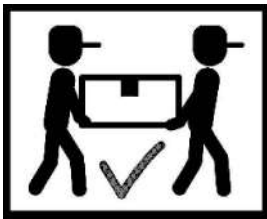
ASSEMBLY TIPS:

1. Remove hardware from box and sort by size.
2. Please check to see that all hardware and parts are present prior to start of assembly.
3. Please follow attached instructions in the same sequence as numbered to assure fast & easy assembly.



WARNING!

1. Don't attempt to repair or modify parts that are broken or defective. Please contact the store immediately.
2. This product is for home use only and not intended for commercial establishments.

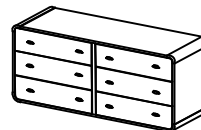


ASSEMBLY TIME

15 MINUTES

PARTS IDENTIFICATION

A DRESSER



1PC

B LEG



4PCS

C CENTER SUPPORT LEG WITH LEVELER



1PC

HARDWARE IDENTIFICATION

1 ALLEN WRENCH
(M4 - BLK)



1PC

2 BOLT WITH WASHER
(M6 x 25mm - BLK)



12PCS

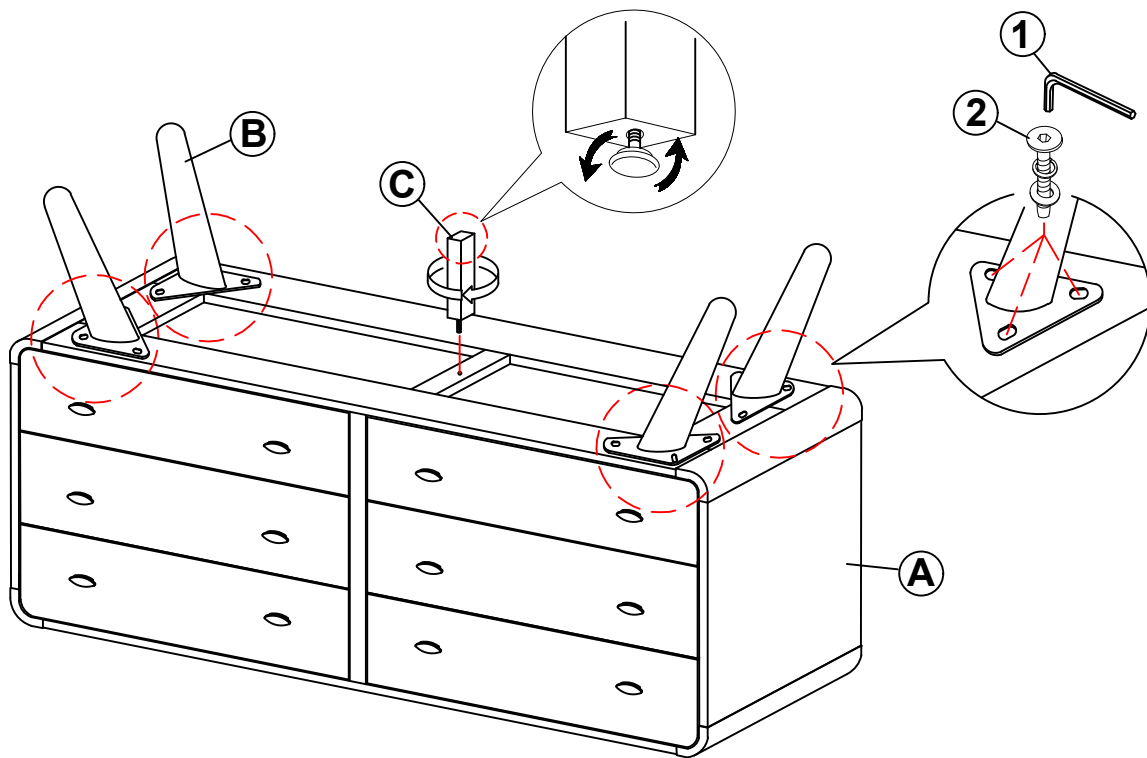
NOTE:

Phillips head screw driver is required in the assembly process; however, manufacturer does not provide this item.

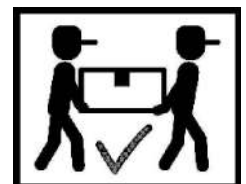
ITEM: **225093**



ASSEMBLY INSTRUCTIONS
STEP 1



STEP 2
COMPLETE



ITEM: **225093**



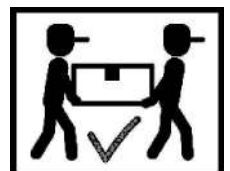
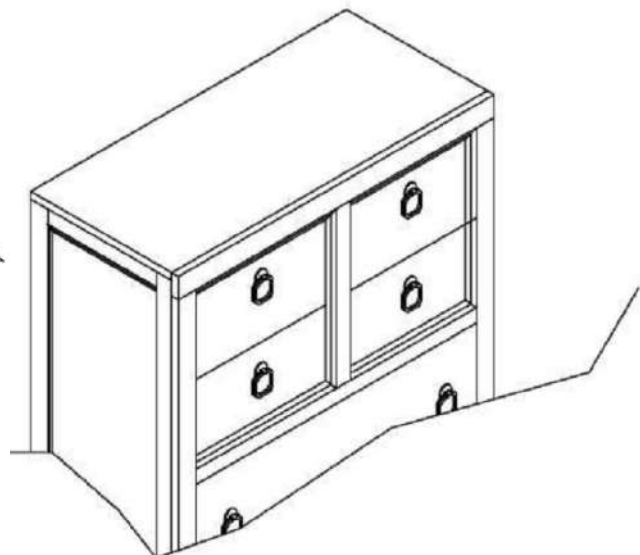
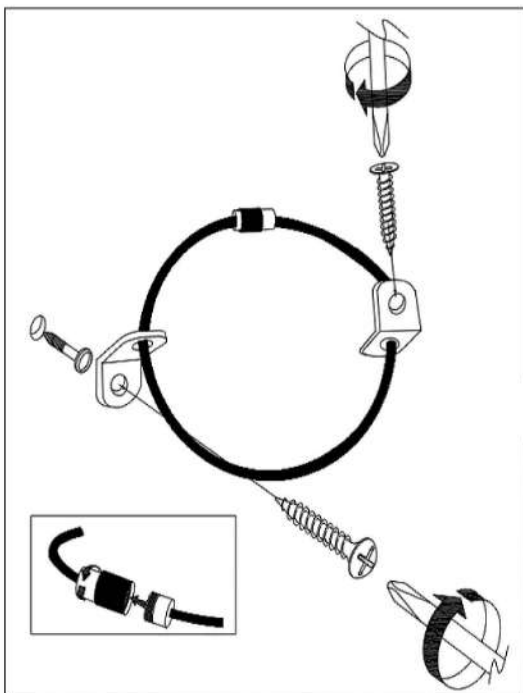
ANTI-TIPPING INSTALLMENT INSTRUCTIONS

FURNITURE TIPPING RESTRAINT

WARNING

Injury may result from tipping furniture.
This restraint may protect against tipping furniture.
Do not allow children to climb on furniture.
This restraint is not a substitute for proper adult supervision.
Failure to detach this restraint before moving the furniture may result in injury and damage.

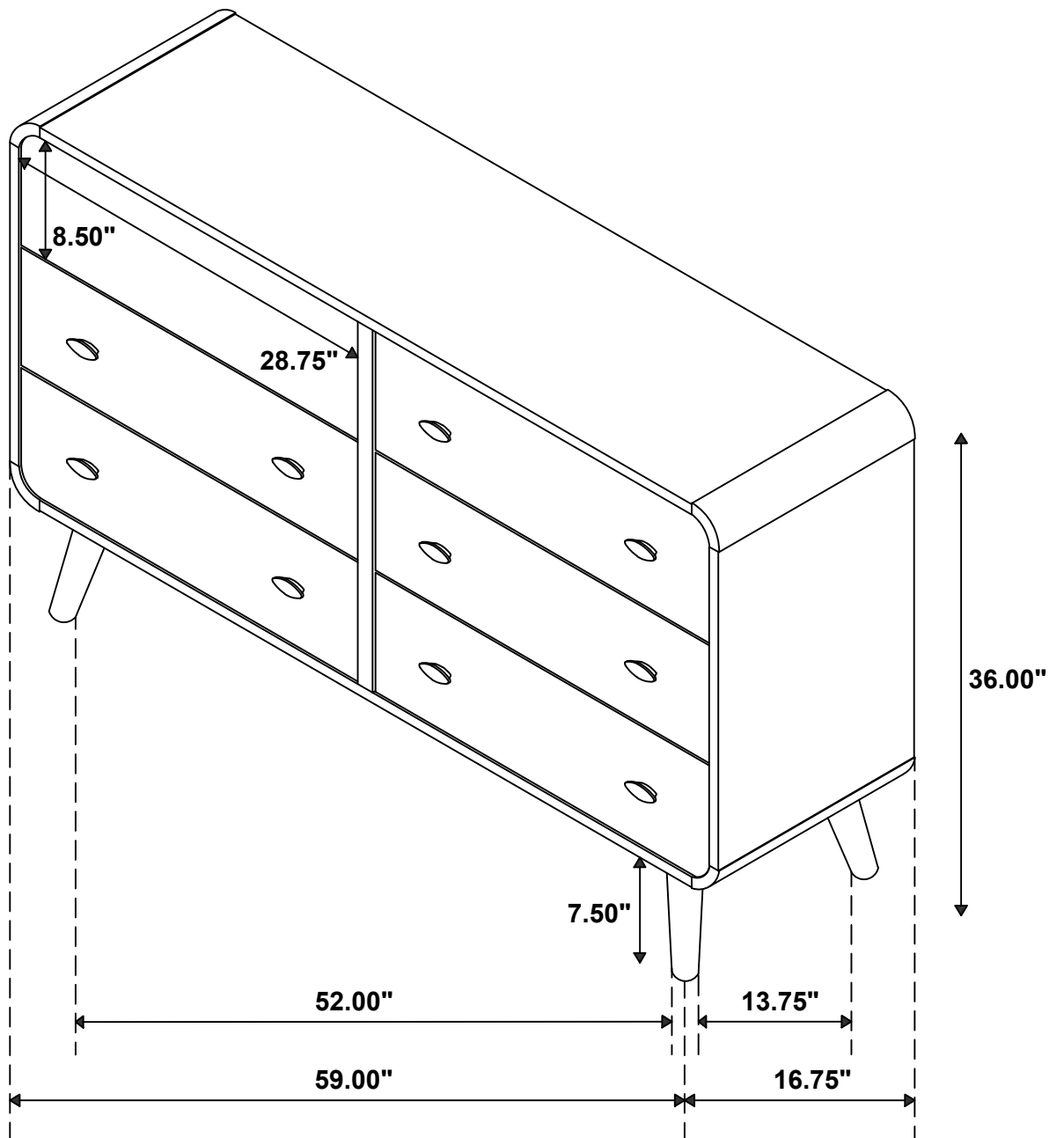
1. Attach one of the mounting brackets securely to the back edge of the unit, using the short screw.
2. Determine where the unit is to be placed, and mark the location on the wall for the other mounting bracket. The bracket on the wall needs to be approximately 2" below the bracket mounted to the edge of the unit.
3. Drill a hole in the wall. Insert the plastic wall anchor into the hole and if necessary, use a small block of wood and hammer to tap it in so that it's flush with the wall.
4. Attach the bracket over the plastic wall anchor using the long screw.
5. Place the unit against the wall, both brackets need to be facing each other.
6. Lace an end of the restraint strap through the hole in each bracket. Bring both ends together and rotate the thumb nut onto the threaded end until tight.
7. Ensure that the restraint strap is securely laced and locked.



ITEM:225093



Inner Size of Drawer : 25.75"W x 12.75"D x 5.50"H x 0.50"T



Note : Dimension tolerance $\pm 5\%$

ASSEMBLY INSTRUCTIONS
COASTER FINE FURNITURE



Fine Furniture for every stage of life

225094
Mirror

ITEM:225094



ASSEMBLY INSTRUCTIONS

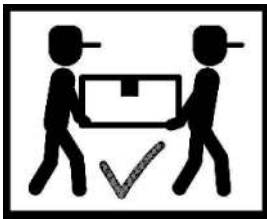
ASSEMBLY TIPS:

1. Remove hardware from box and sort by size.
2. Please check to see that all hardware and parts are present prior to start of assembly.
3. Please follow attached instructions in the same sequence as numbered to assure fast & easy assembly.



WARNING!

1. Don't attempt to repair or modify parts that are broken or defective. Please contact the store immediately.
2. This product is for home use only and not intended for commercial establishments.



ASSEMBLY TIME

10 MINUTES

PARTS IDENTIFICATION

A MIRROR



1PC

B DRESSER
*FROM BOX ITEM #225093



1PC

C MIRROR SUPPORT
(PACKED WITH DRESSER)



2PCS

HARDWARE IDENTIFICATION

1 ALLEN WRENCH
(M4 - BLK)



1PC

2 BOLT WITH WASHER
(M6 x 35mm - BLK)



8PCS

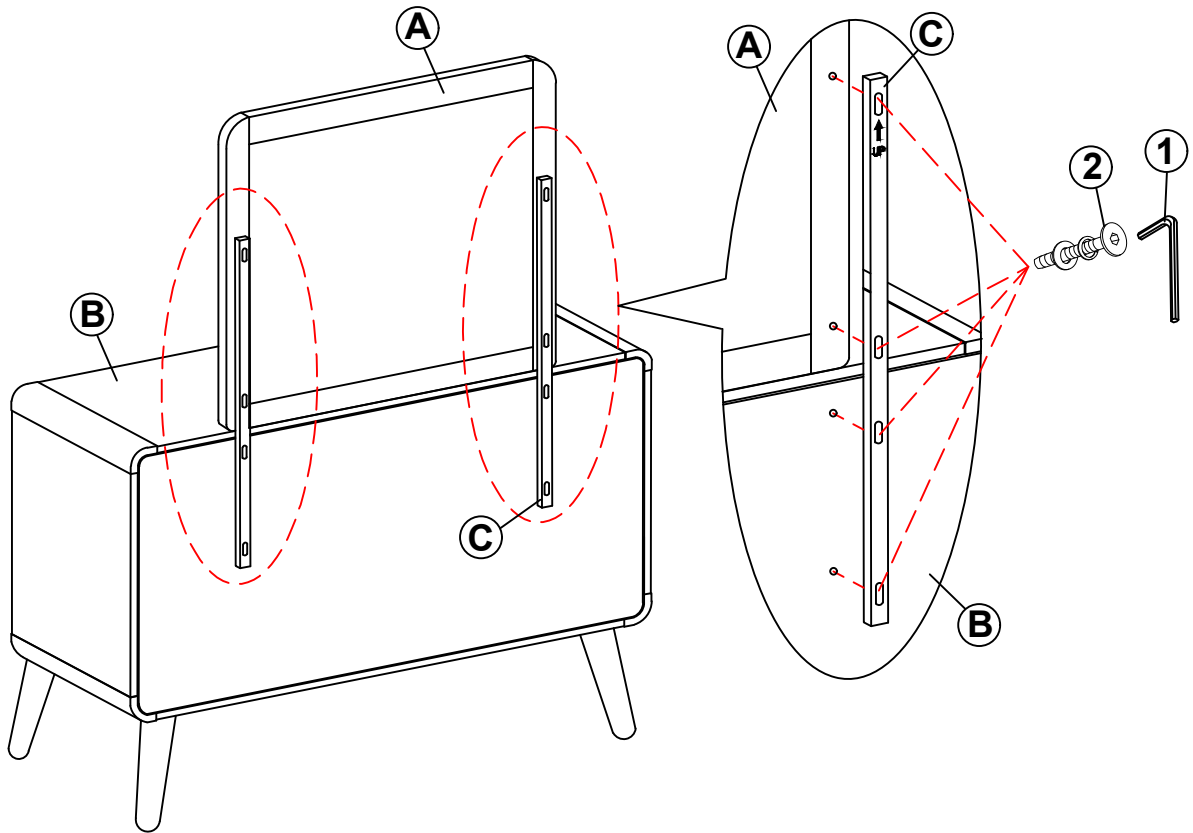
NOTE:

Phillips head screw driver is required in the assembly process; however, manufacturer does not provide this item.

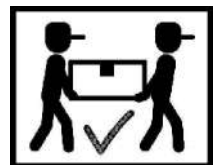
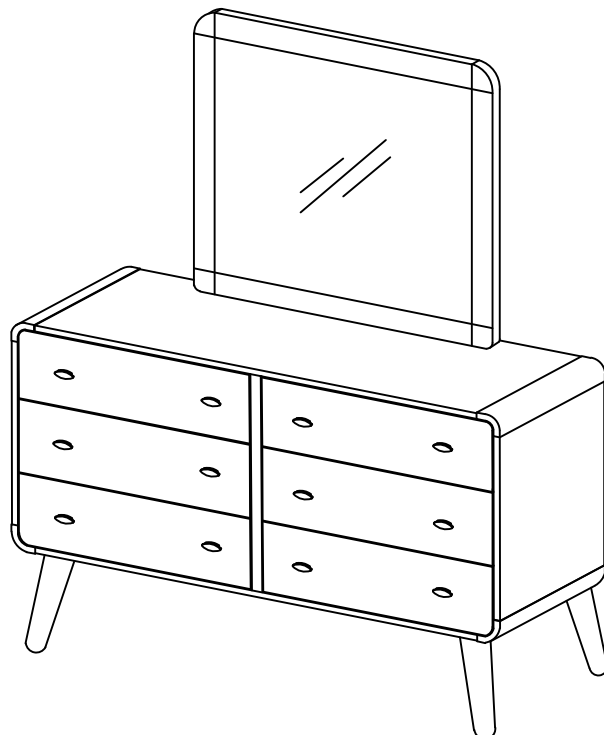
ITEM: **225094**



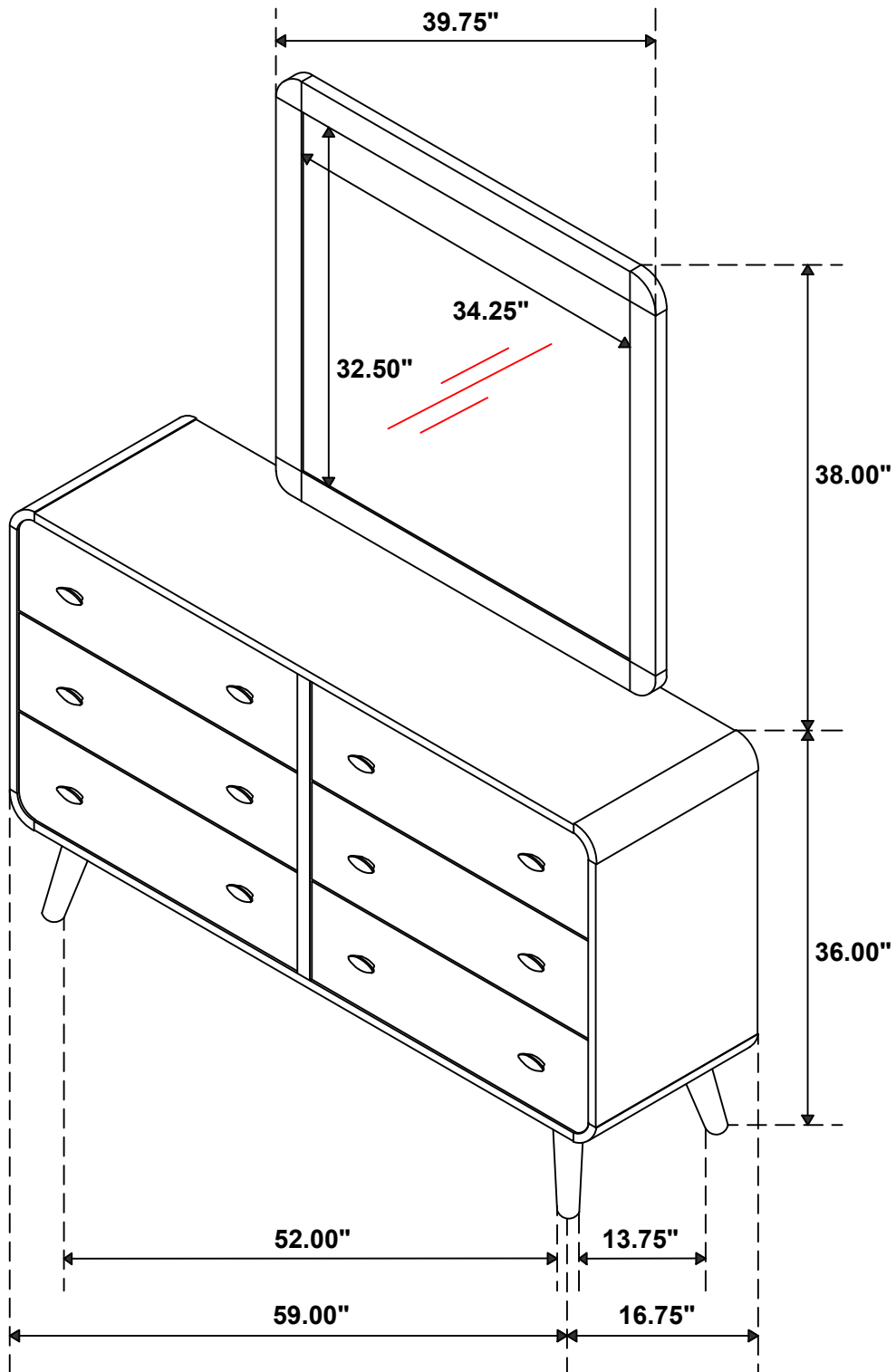
ASSEMBLY INSTRUCTIONS
STEP 1



STEP 2
COMPLETE



ITEM: **225094**



Note : Dimension tolerance $\pm 5\%$

ASSEMBLY INSTRUCTIONS
COASTER FINE FURNITURE



Fine Furniture for every stage of life

225095
Chest

ITEM:225095



ASSEMBLY INSTRUCTIONS

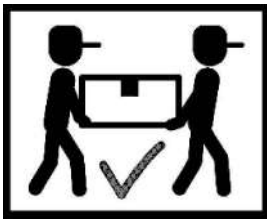
ASSEMBLY TIPS:

1. Remove hardware from box and sort by size.
2. Please check to see that all hardware and parts are present prior to start of assembly.
3. Please follow attached instructions in the same sequence as numbered to assure fast & easy assembly.



WARNING!

1. Don't attempt to repair or modify parts that are broken or defective. Please contact the store immediately.
2. This product is for home use only and not intended for commercial establishments.

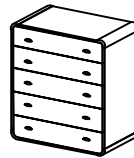


ASSEMBLY TIME

15 MINUTES

PARTS IDENTIFICATION

A CHEST



1PC

B LEG



4PCS

HARDWARE IDENTIFICATION

1 ALLEN WRENCH
(M4 - BLK)



1PC

2 BOLT WITH WASHER
(M6 x 25mm - BLK)



12PCS

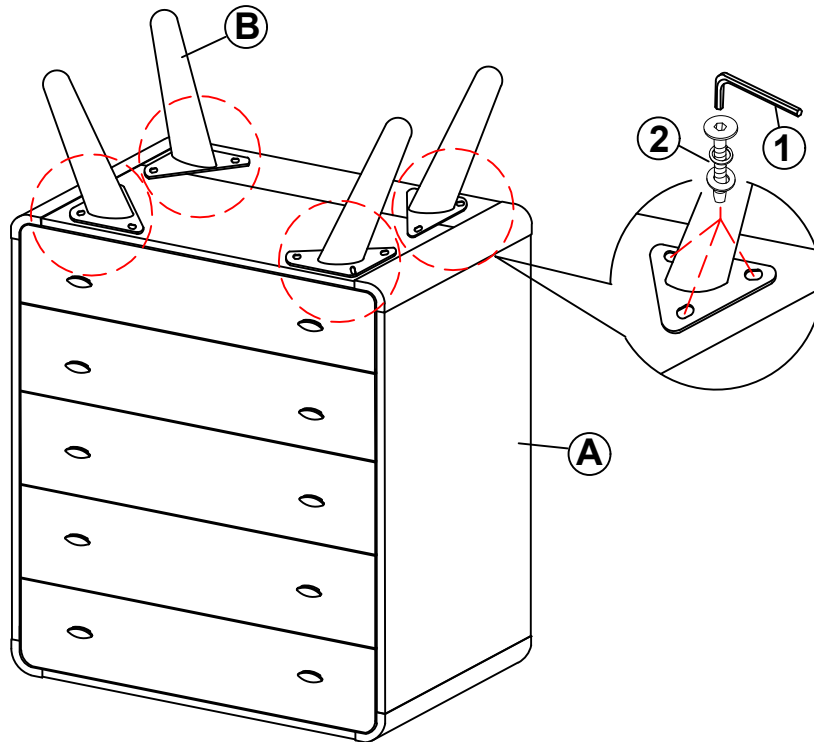
NOTE:

Phillips head screw driver is required in the assembly process; however, manufacturer does not provide this item.

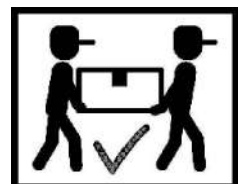
ITEM: **225095**



ASSEMBLY INSTRUCTIONS
STEP 1



STEP 2
COMPLETE



ITEM: **225095**



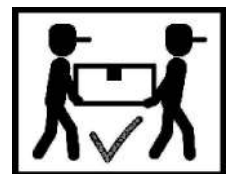
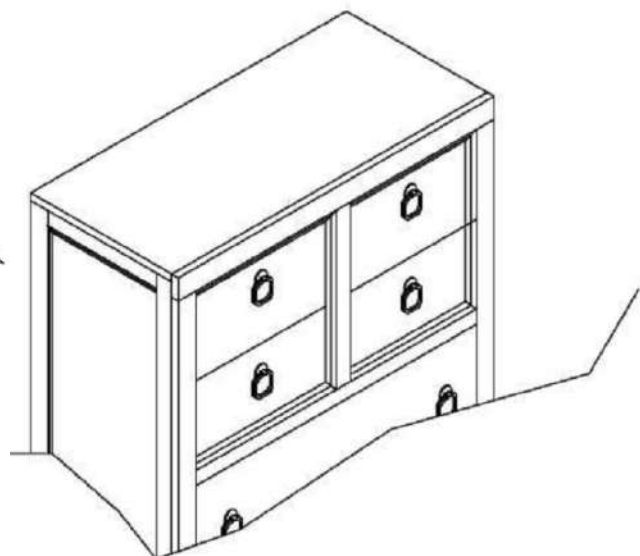
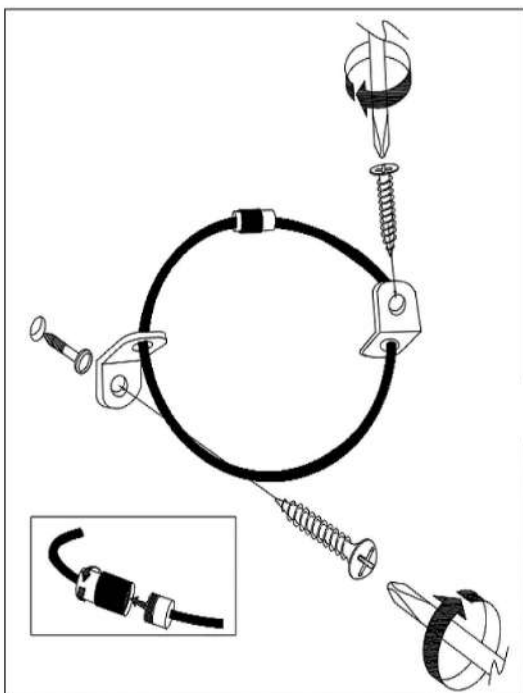
ANTI-TIPPING INSTALLMENT INSTRUCTIONS

FURNITURE TIPPING RESTRAINT

WARNING

Injury may result from tipping furniture.
This restraint may protect against tipping furniture.
Do not allow children to climb on furniture.
This restraint is not a substitute for proper adult supervision.
Failure to detach this restraint before moving the furniture may result in injury and damage.

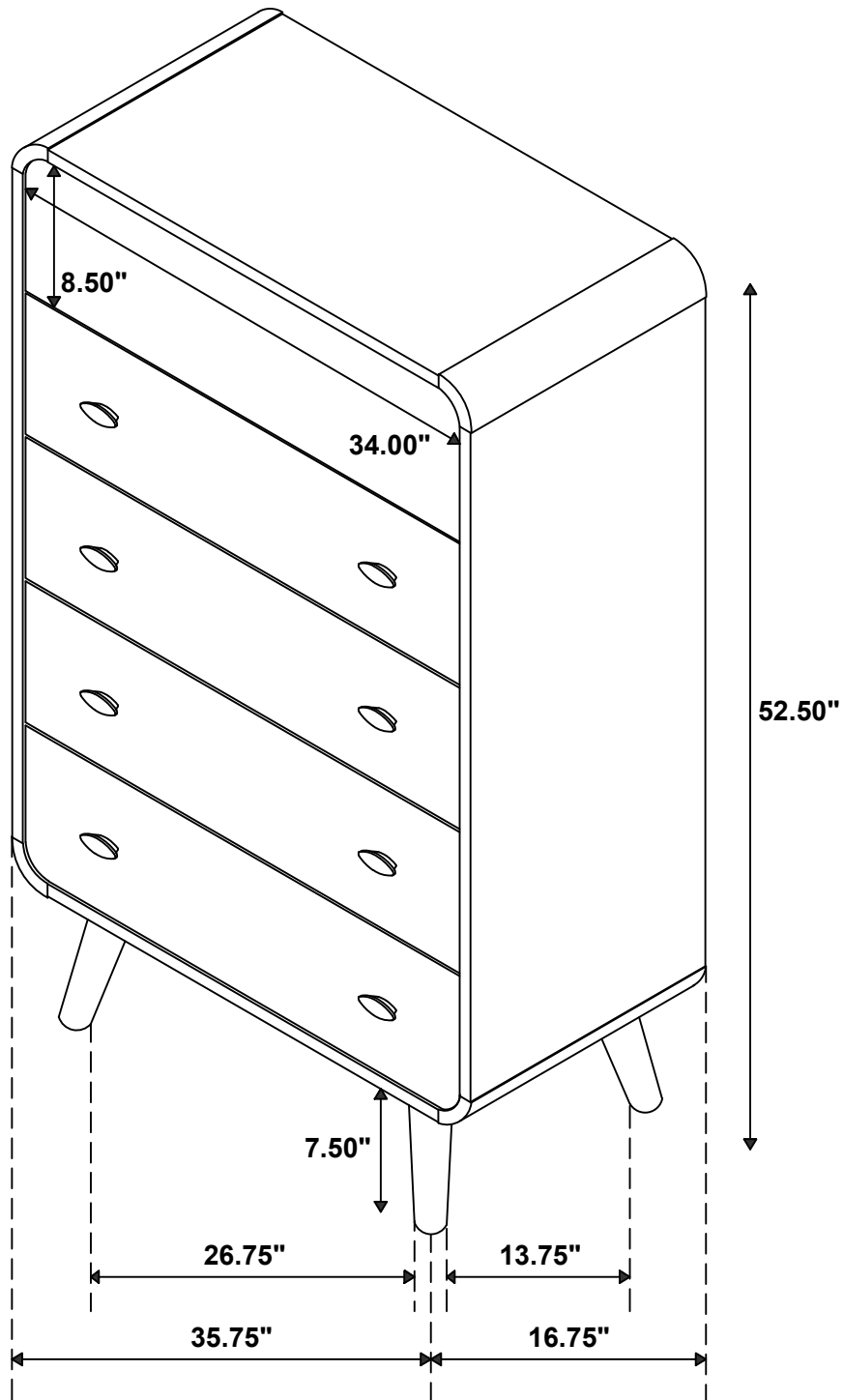
1. Attach one of the mounting brackets securely to the back edge of the unit, using the short screw.
2. Determine where the unit is to be placed, and mark the location on the wall for the other mounting bracket. The bracket on the wall needs to be approximately 2" below the bracket mounted to the edge of the unit.
3. Drill a hole in the wall. Insert the plastic wall anchor into the hole and if necessary, use a small block of wood and hammer to tap it in so that it's flush with the wall.
4. Attach the bracket over the plastic wall anchor using the long screw.
5. Place the unit against the wall, both brackets need to be facing each other.
6. Lace an end of the restraint strap through the hole in each bracket. Bring both ends together and rotate the thumb nut onto the threaded end until tight.
7. Ensure that the restraint strap is securely laced and locked.



ITEM:225095



Inner Size of Drawer : 29.75"W x 12.75"D x 5.50"H x 0.50"T



Note : Dimension tolerance $\pm 5\%$