

ASSEMBLY INSTRUCTIONS
COASTER FINE FURNITURE



Fine Furniture for every stage of life

193611(B1&B2)
Dining Table

ITEM: 193611(B1&B2)



ASSEMBLY INSTRUCTIONS

ASSEMBLY TIPS:

1. Remove hardware from box and sort by size.
2. Please check to see that all hardware and parts are present prior to start of assembly.
3. Please follow attached instructions in the same sequence as numbered to assure fast & easy assembly.



WARNING!

1. Don't attempt to repair or modify parts that are broken or defective. Please contact the store immediately.
2. This product is for home use only and not intended for commercial establishments.



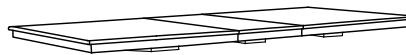
ASSEMBLY TIME

10 MINUTES

PARTS IDENTIFICATION

B1 (BOX 1)

A TOP WITH LEAF



1PC

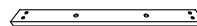
B2 (BOX 2)

B LEG PANEL SUPPORT



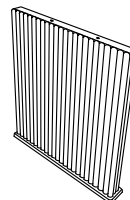
2PCS

C MOUNTING BOARD



2PCS

D LEG PANEL

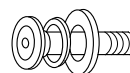


2PCS

HARDWARE IDENTIFICATION

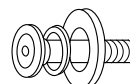
Z-B1(BOX 1) - HARDWARE PACK IS LOCATED IN 193611 (B1)

1 BOLT WITH SMALL WASHER
(M6 x 40mm - BLK)



4PCS

2 BOLT WITH BIG WASHER
(M6 x 40mm - BLK)



12PCS

3 ALLEN WRENCH
(M4 x 55mm - GD)



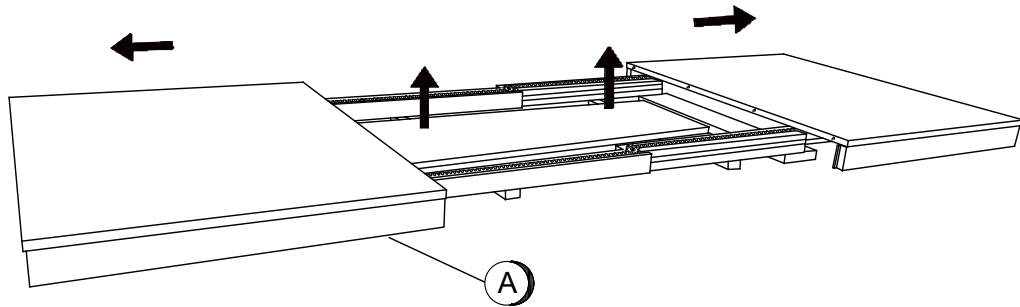
1PC

ITEM : 193611(B1&B2)

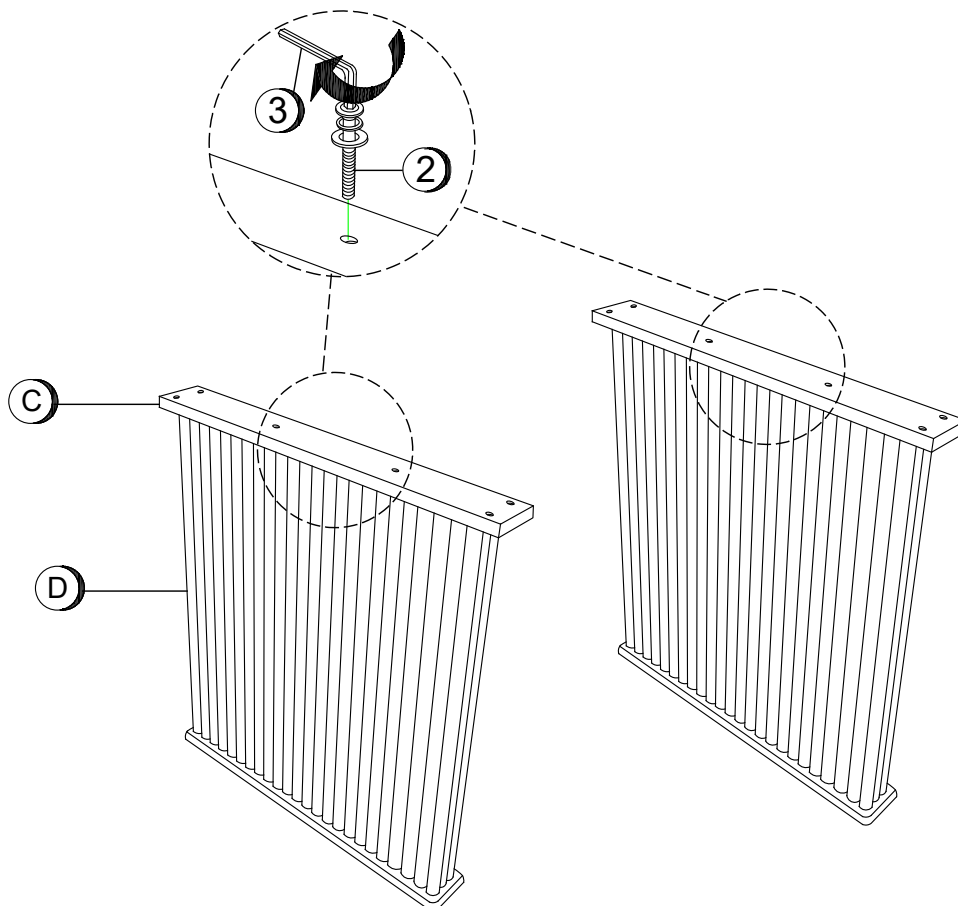
ASSEMBLY INSTRUCTIONS

STEP 1

IMPORTANT NOTE: Take out the Extension Leaf.



STEP 2

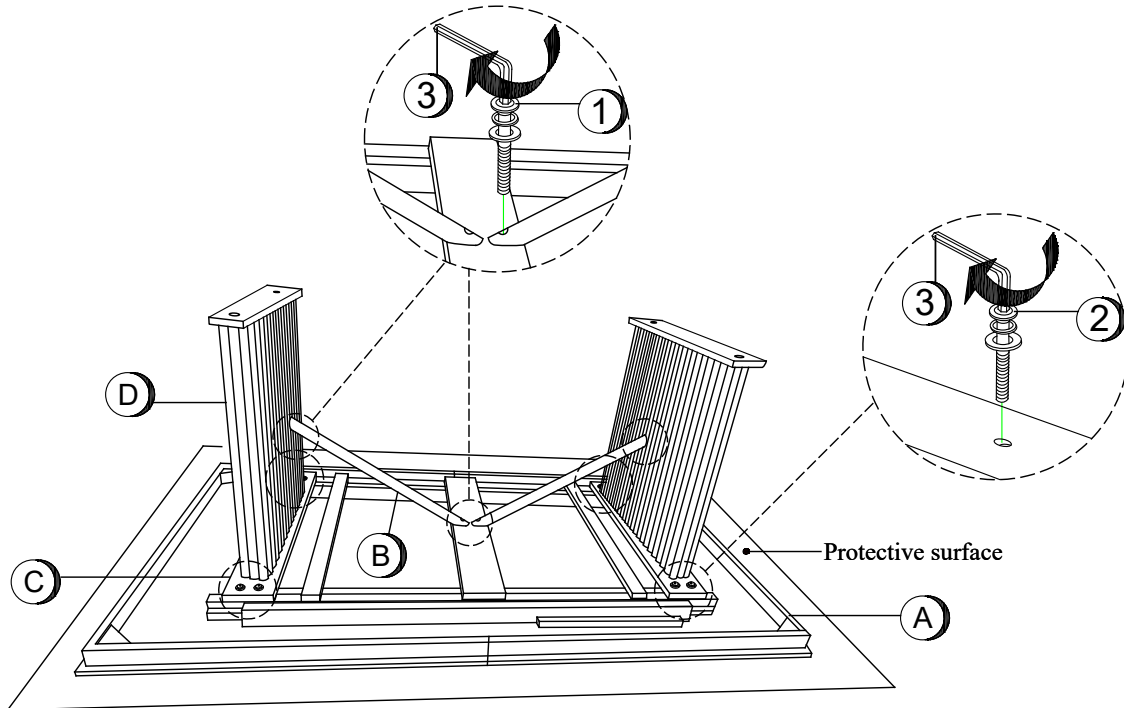


ITEM : 193611(B1&B2)

ASSEMBLY INSTRUCTIONS

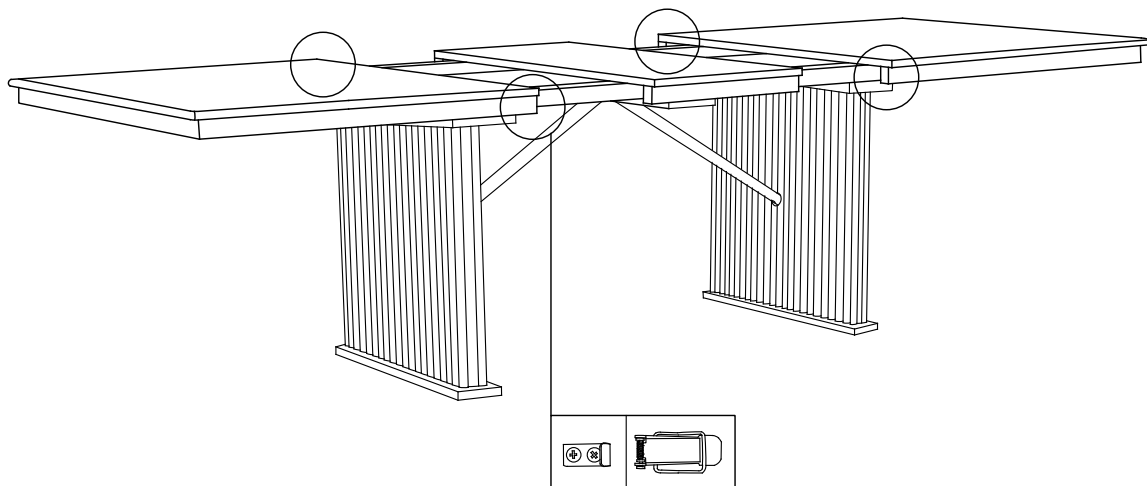
STEP 3

Do not fully tighten until all bolts are attached.



STEP 4

Fully tighten all bolts on this step.

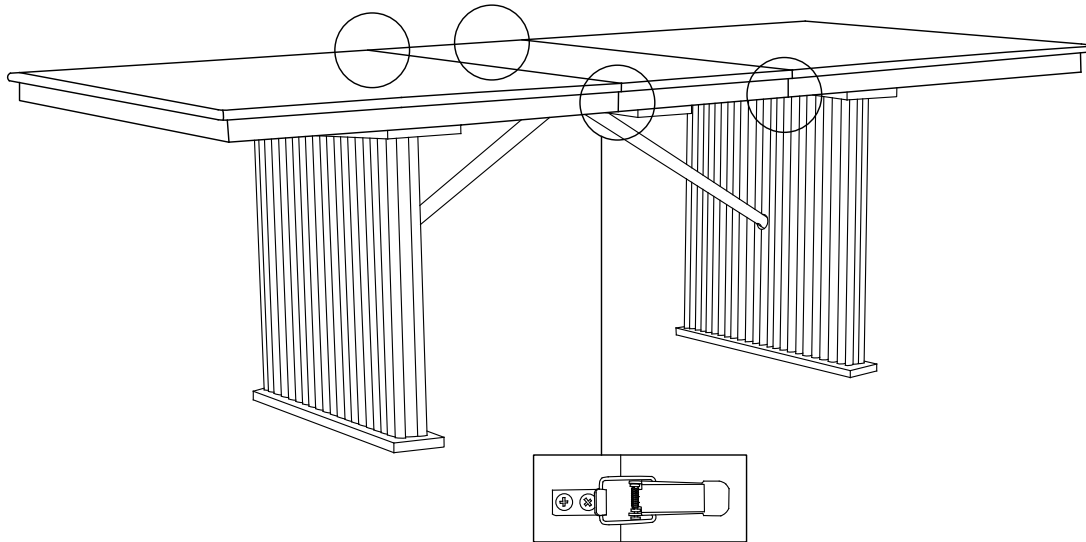


Turn counter-clockwise to unlock

ITEM : 193611(B1&B2)

ASSEMBLY INSTRUCTIONS

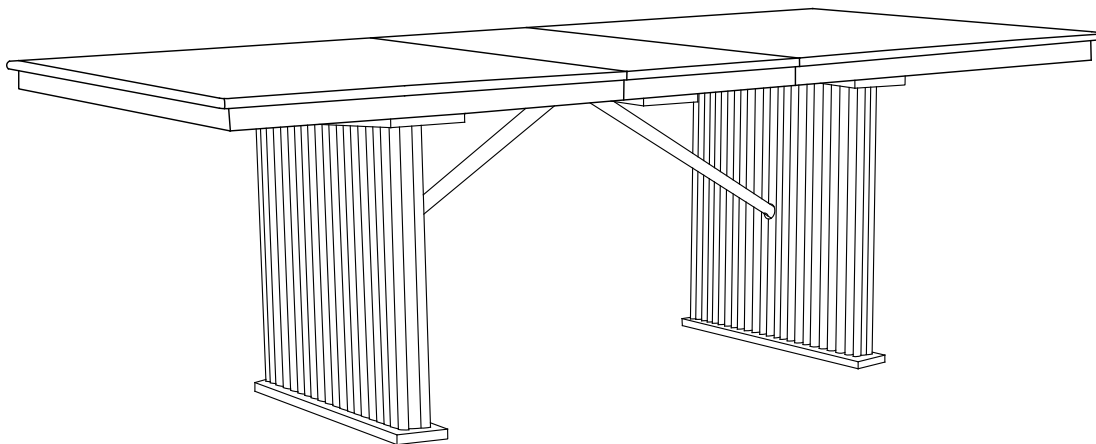
STEP 5



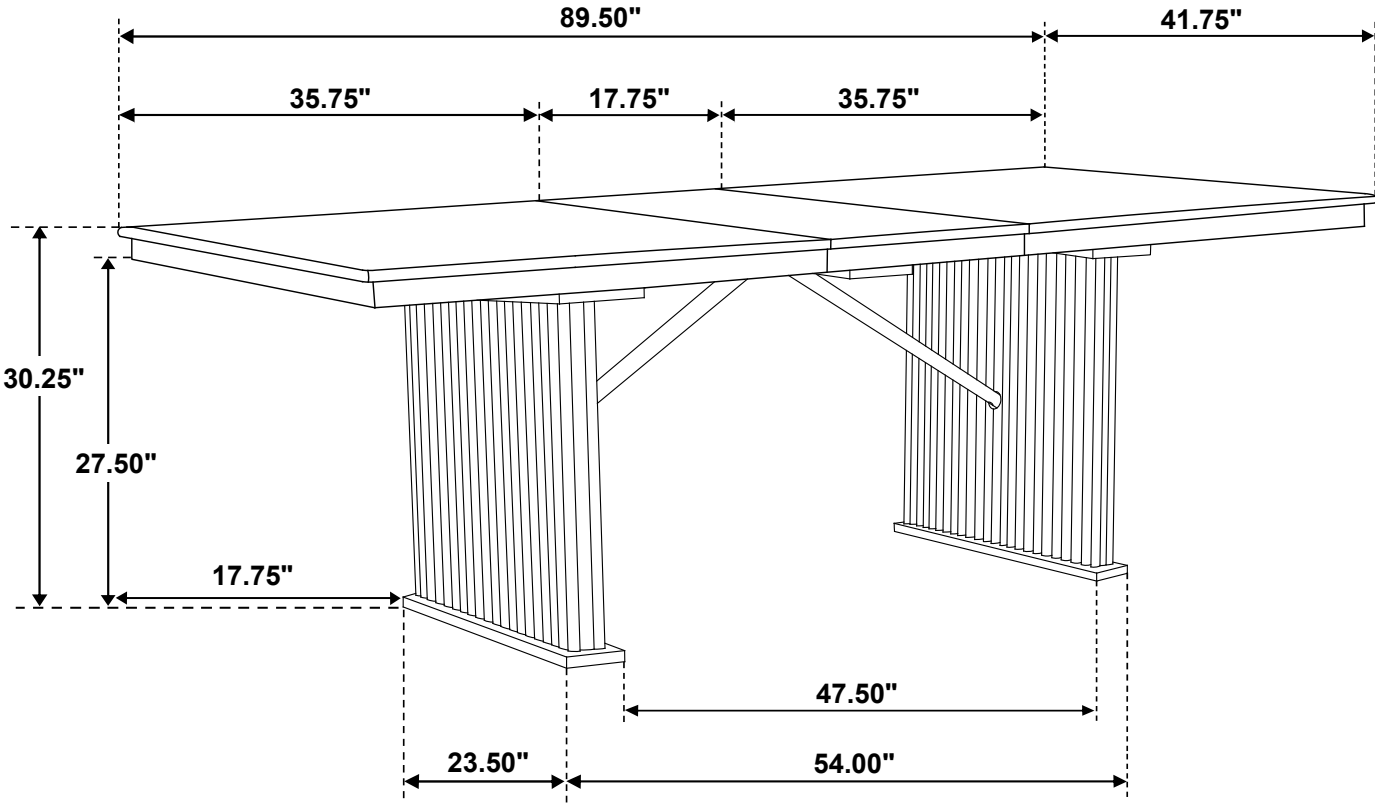
Turn clockwise to lock

STEP 6

COMPLETE



ITEM : 193611(B1&B2)



Note: Dimension tolerance $\pm 5\%$



ASSEMBLY INSTRUCTIONS
COASTER FINE FURNITURE



Fine Furniture for every stage of life

193612
Side Chair

ITEM : 193612

ASSEMBLY INSTRUCTIONS

ASSEMBLY TIPS:

1. Remove hardware from box and sort by size.
2. Please check to see that all hardware and parts are present prior to start of assembly.
3. Please follow attached instructions in the same sequence as numbered to assure fast & easy assembly.



WARNING!

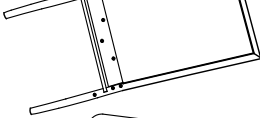
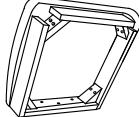


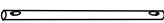
1. Don't attempt to repair or modify parts that are broken or defective. Please contact the store immediately.
2. This product is for home use only and not intended for commercial establishments.



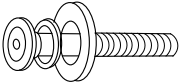
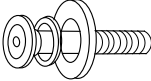
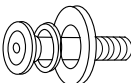


ASSEMBLY TIME

10 MINUTES

PARTS IDENTIFICATION

A	BACK FRAME		1PC
B	SEAT CUSHION WITH FRAME		1PC
C	LEFT FRONT LEG		1PC
D	RIGHT FRONT LEG		1PC
E	SIDE STRETCHER		2PCS

HARDWARE IDENTIFICATION

1	LONG BOLT WITH WASHER (M6 x 90mm - BLK)		4PCS
2	MEDIUM BOLT WITH WASHER (M6 x 60mm - BLK)		4PCS
3	SHORT BOLT WITH WASHER (M6 x 50mm - BLK)		3PCS
4	PAN HEAD SCREW (M5 x 38mm - BLK)		4PCS
5	ALLEN WRENCH (M4 x 55mm - GD)		1PC

NOTE:

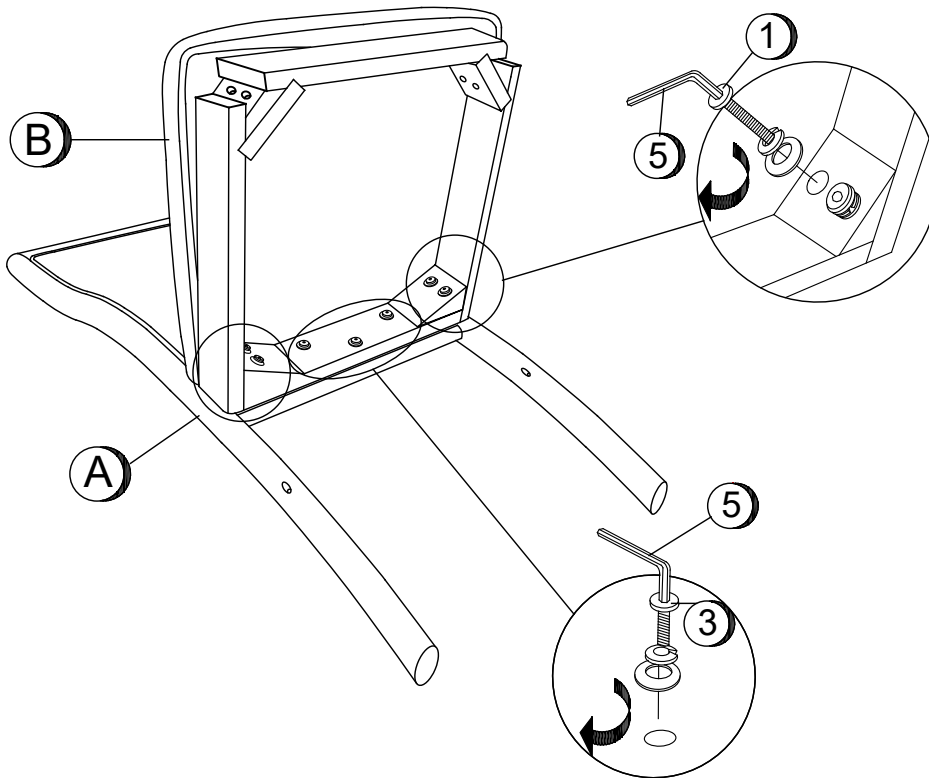
Quantities shown are for one chair.

Phillips head screw driver is required in the assembly process; however, manufacturer does not provide this item.

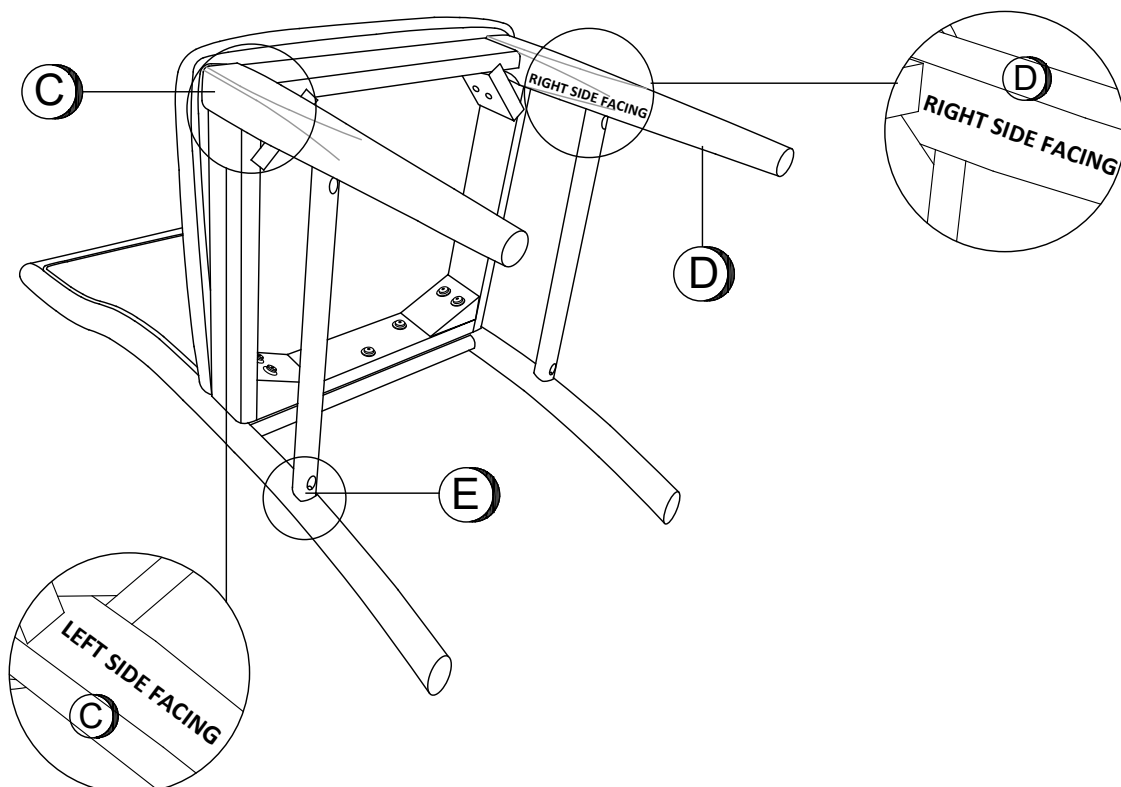
ITEM : 193612

ASSEMBLY INSTRUCTIONS

STEP 1



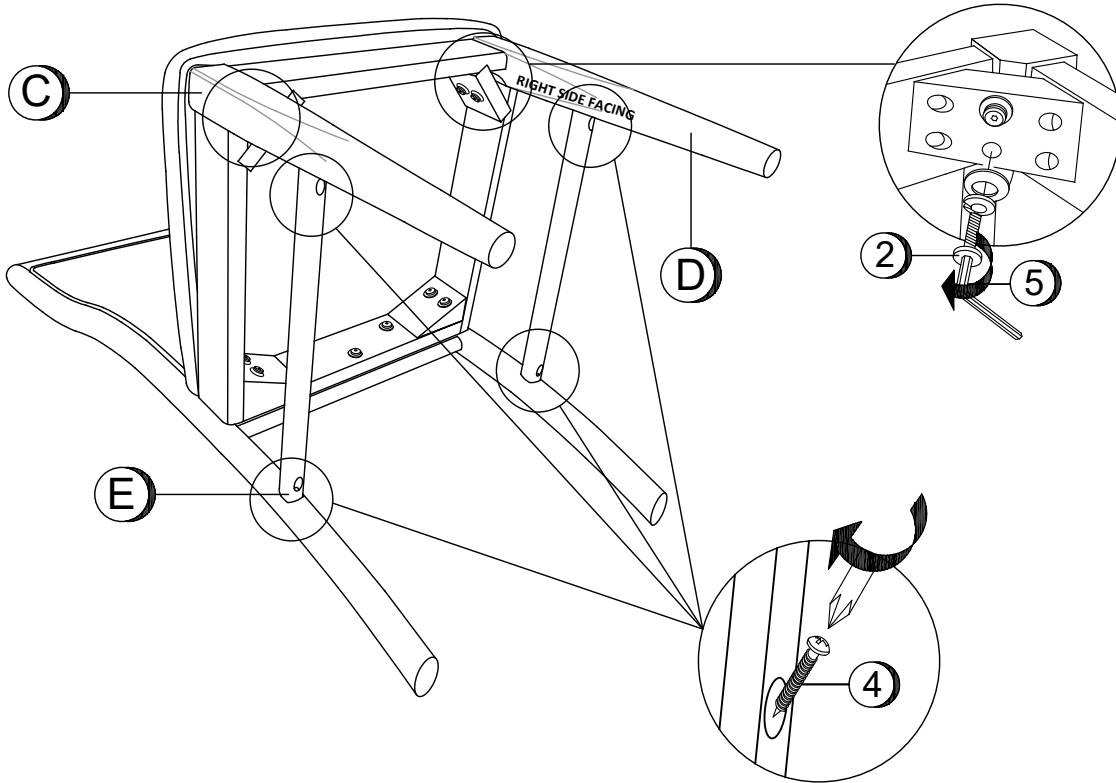
STEP 2



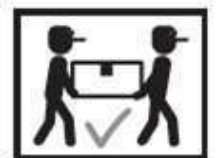
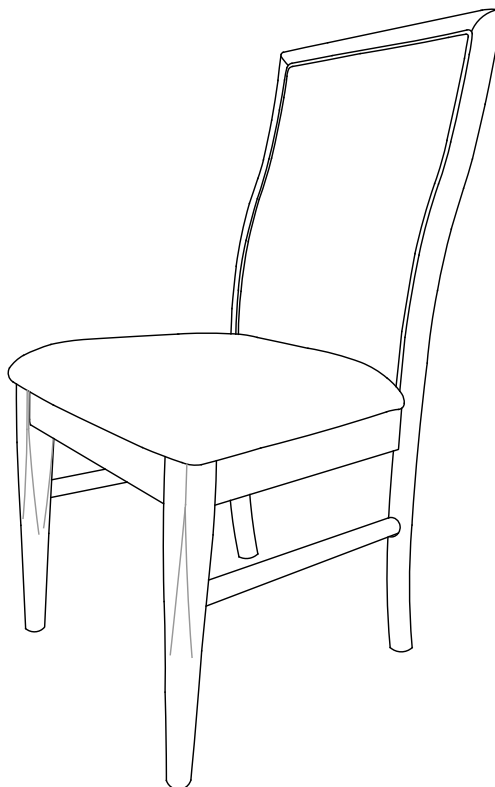
ITEM : 193612
ASSEMBLY INSTRUCTIONS



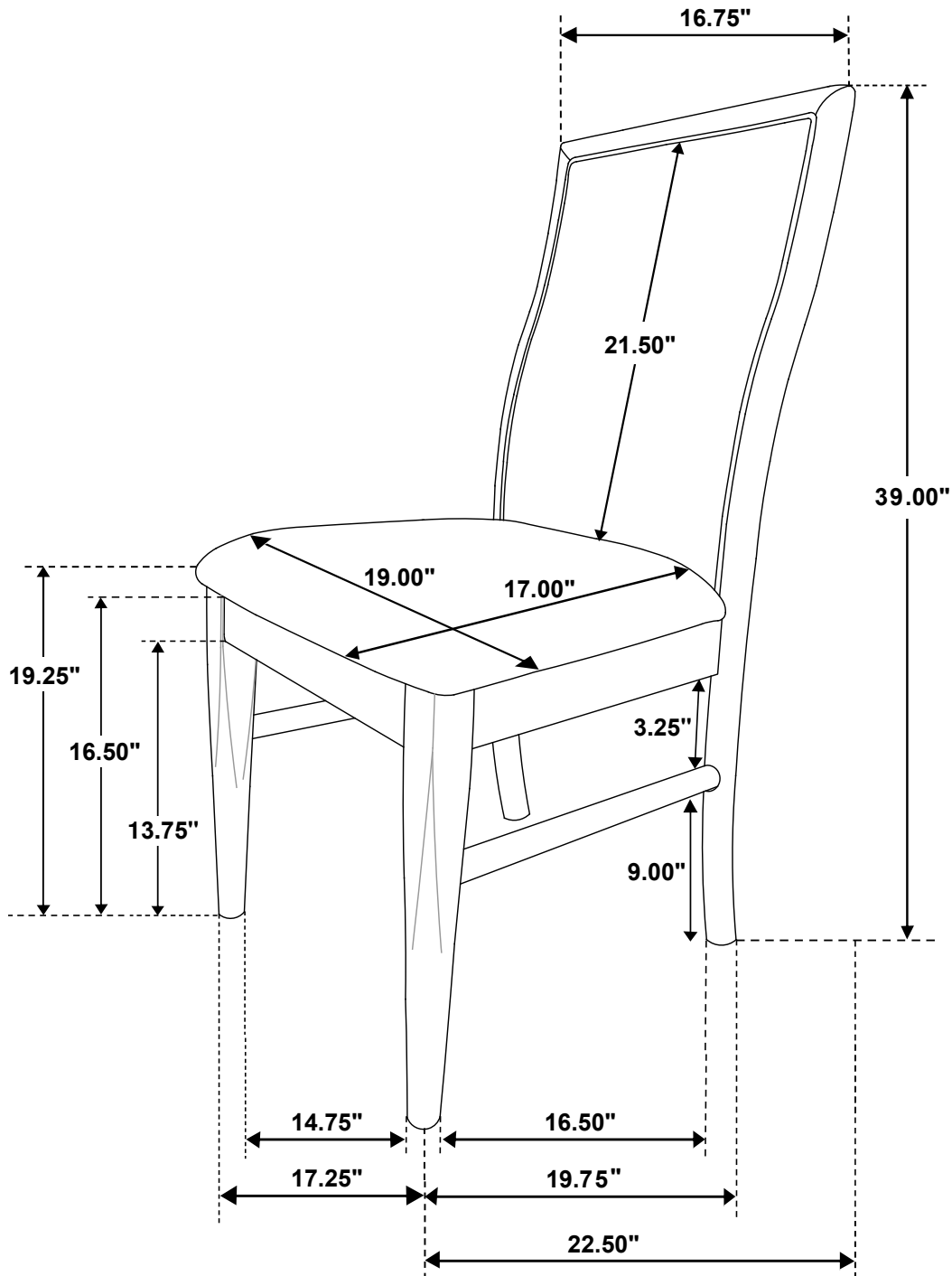
STEP 3



STEP 4
COMPLETE



ITEM : 193612



Note: Dimension tolerance $\pm 5\%$