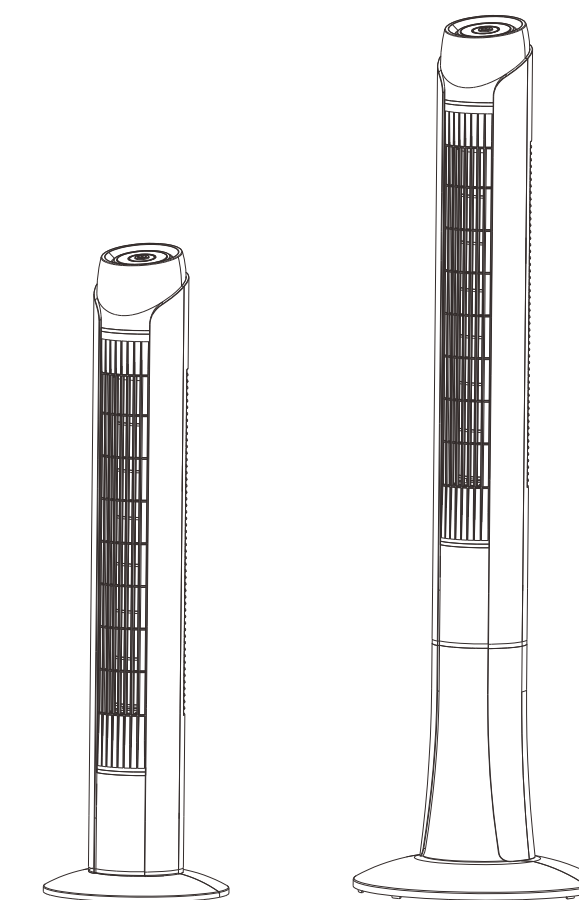




INSTRUCTION MANUAL 36"/48" TOWER FAN



RTA-36T-FAN RTA-48T-FAN

Please read this manual carefully before use

CAUTION
RISK OF ELECTRIC SHOCK, DO NOT OPEN

Caution: To reduce the risk of electric shock do not open this device, there are not serviceable parts for customers. Please refer any maintenance or repair to qualified personnel.

This sign means the existence of dangerous voltage at the inside of the unit, which states a risk of electric shock.

This sign means that there are important instructions of operation and handling in the manual that comes with this device.

NOTE
This unit may be submitted to changes in specifications, characteristics and/or operation without prior notice to the user, to continue improving and developing its technology.

SAFETY INFORMATION READ AND SAVE THESE IMPORTANT SAFETY INSTRUCTIONS BEFORE USING THIS FAN.



When using electrical appliances, basic safety pre-cautions should always be followed, including the following

- WARNING:**
- To reduce the risk of fire or electrical shock, do not use this product with any solid-state speed control device . To reduce the risk of fire or electric shock and injury to anyone , do not use in a window.
 - This product employs overload protection (blown fuse) which could indicate an overload situation. If the fuse blows, unplug the product from the outlet . Replace the fuse as per the user servicing instructions (follow marking for proper fuse rating) and check the product . If the replaced fuse blows, a short-circuit may be present and the product should be discarded or returned to an authorized service facility for examination and/or repair.
 - USE this fan only as described in this manual . Other uses are not recommended as it may cause fire or electric shock.
 - To protect against electrical shock, do not place fan in window ,plug or cord in water, or spray with liquids .
 - Unplug the fan from the outlet when not in use, when moving fan from one location to another and before cleaning.
 - Do not operate the fan in the presence of explosive and/or flammable fumes.
 - Avoid contact with moving fan parts.
 - To disconnect , grip the plug and pull it from the wall outlet .Never yank the cord . Always use on a dry surface.
 - Do not operate any fan with a damaged cord or plug, discard fan or return to an authorized service facility for examination and/or repair.
 - Arrange cord away from traffic area and where it will not be tripped over.
 - The appliance is not to be used by children or persons with reduced physical, sensory or mental capabilities , or lack of experience and knowledge, unless they have been given supervision or instruction.
 - Close supervision is necessary when any appliance is used by or near children . Children should not play with the appliance.
 - If the power cord is damaged, it is strongly recommended to request a specialist to handle.
 - Do not leave the fan running unattended.

- IN THE BOX**
- FAN
 - BASE
 - INSTRUCTION MANUAL
 - Remote control

ASSEMBLY INSTRUCTION

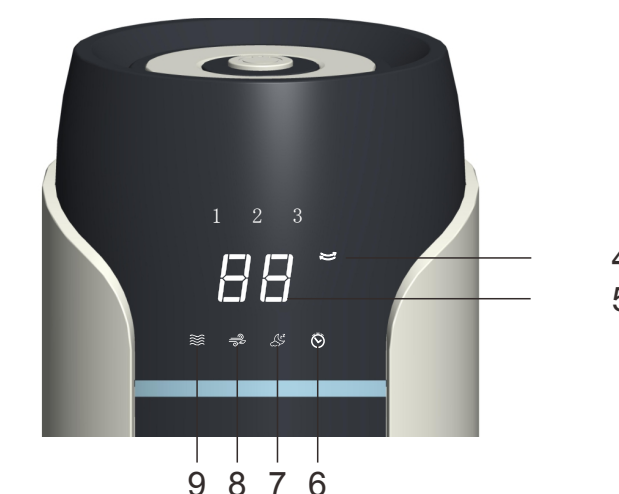
-
-
-
- Place the power cable in the fan-S cable guide. Make sure the fan is standing secure.

OPERATION INSTRUCTIONS

Intended Use:
This product is intended for indoor residential and office use only, not for industrial or other commercial applications, Use only with electrical wiring that is in good working order and that meets applicable codes and regulations. If you have any questions about whether your wiring is adequate, consult a qualified electrician.

Operation:

- Low fan speed
- Medium fan speed
- High fan speed
- Oscillation
- Hour display(Timer) and displays room temperature
- Timer
- Sleep mode
- Natural mode
- Normal mode



Buttons

On/off button: press the on/off button to switch the fan on or off.

Speed button: press the button to change the speed between low-> medium-> high. Default speed is low speed.

Mode button: press the button to change fan mode between normal mode - natural mode-> sleep mode Sleep mode: lowers speed every 30 minutes and then stays at the lowest speed. Natural mode: the speed changes randomly

Swing button: press the button to activate or deactivate swinging/oscillation. The fan moves slowly from left to right and back again. Oscillation works in all fan modes.

timer button: Press this key set timer , step 1 hours ,max 15hours.

Battery
Before first use: Pull the protective film to remove it. The remote control is now ready for use.
To replace the battery: open the battery compartment on the back of the remote control and replace the used battery with a new one. Battery type:CR2025

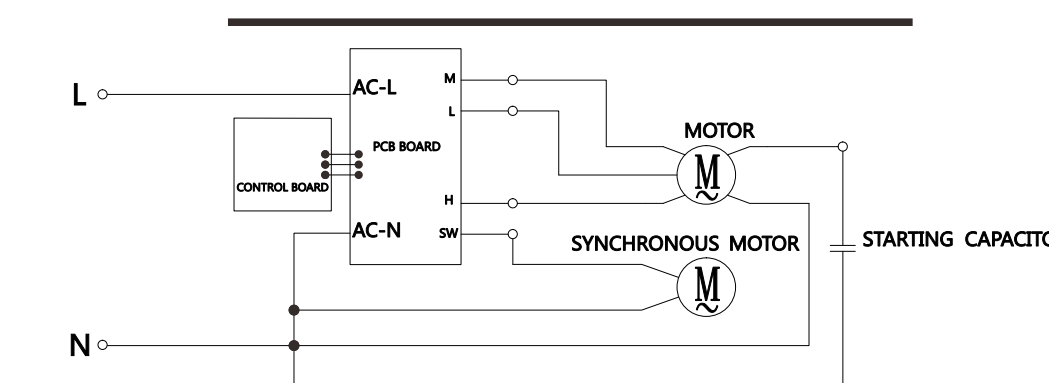
MAINTENANCE

- Be sure to unplug the power cord from the outlet before cleaning.
- Plastic parts should be cleaned with mild soap and a damp cloth or sponge. Do not submerge the unit in water to clean it . Thoroughly remove soap with clean water
- Be sure not to get water or other liquid inside the fan motor.
- Dry all parts completely before reassembling and reconnecting to a power source.

STORAGE

Store the fan in a cool, dry location when not in use .To prevent dust and dirt build-up, use the original packaging to repack the unit.

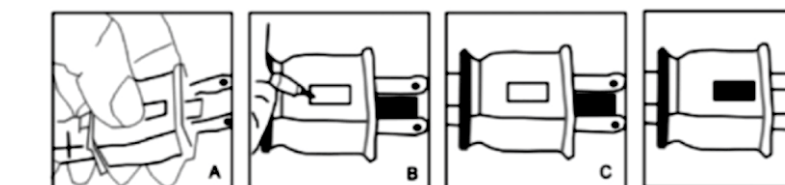
Electrical Schematic diagram



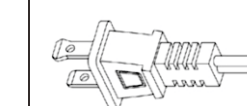
SAVE THESE INSTRUCTIONS

USER SERVICING INSTRUCTIONS

- Grasp plug and remove from the receptacle or other outlet device. Do not unplug by pulling on cord.
- (A)Open fuse which is covered by sliding access cover on top of attachment plug toward blades.
- (B)Remove fuse carefully by gently pulling out the ends of the fuse from the receptacle. Replace fuse only with 5 amp, 125 volt fuse.
- (C)Install replacement fuse by first placing the end of the fuse receptacle which is opposite of the blades of the plug, then carefully push in the other end. Only push against the metal end of the fuse, not the glass centre portion.
- (D)Close fuse cover by sliding the cover back into the plug until it is completely closed and latches.



To prevent risk of fire, do not replace attachment plug. Contains a safety device (fuse)that should not be removed. Discard product if the attachment plug is damaged.



THIS PRODUCT IS EQUIPPED WITH A POLARIZED PLUG (a plug having one blade wider than the other). To reduce the risk of electric shock, this plug is intended to fit in a polarized outlet only one way. If the plug does not fit fully in the outlet, reverse the plug. If it still does not fit, contact a qualified electrician. DO NOT OVERRIDE THE SAFETY PURPOSE OF THIS POLARIZED PLUG

CUSTOMER SUPPORT
E-MAIL:SUPPORT@RTAPRODUCTS.COM
www.technihome.com