



# MODEL RTA-DSR08

## ASSEMBLY INSTRUCTIONS

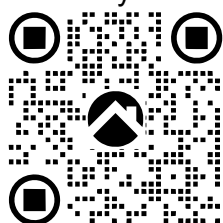
(REV.6-ALL-A9689-0526)



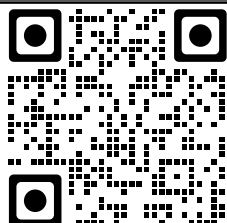
Thank you for purchasing our product!

 **View Assembly Video**

[Technihome.com/pages/assembly-videos](http://Technihome.com/pages/assembly-videos)



 **Ver el Manual en Español**



 **Visit our Website**



 **Contact Us**



## MAIN PARTS LIST

<b>A</b> Right side panel 	<b>B</b> Left side panel 	<b>C</b> Middle panel 	<b>D</b> Back supports x6 	<b>E</b> Middle supports x6 
			<b>F</b> Bottom support (upper) 	<b>G</b> Bottom support (lower) 
			<b>H</b> Left supports x4 	<b>I</b> Right supports x4 
<b>J</b> Bottom base (upper) 	<b>L</b> Top panel 		<b>M</b> Cross bars x2 	<b>N</b> Drawers x8 
<b>K</b> Bottom base (lower) 				<b>O</b> Drawer bottoms x8 

### HARDWARE LIST

PART	QTY	SIZE / DESCRIPTION	ITEM
1	4	M7x40mm	
2	23	M6x40 Bolt (Minifix)	
3	35	Ø15x10mm Cam lock (minifix)	
4	6	M6x63	
5	6	M6 Nut cap	
6	6	M6x48 Double-Bolt (Minifix)	
7	6	Ø8x40mm	
8	8	M4x25mm	
9	16	M6x25	
10	8 Sets	138mm Handle (x8) + M4x10 screws (x16)	

### ANTI TIP-OVER HARDWARE

PART	QTY	SIZE / DESCRIPTION	ITEM
13	2	200x25mm Safety strip	
14	2	M4x30mm Wall Anchor	
15	2	M4x60mm	

### TOOLS INCLUDED

Combination Allen Key (Hex + Phillips)	
M10/M12 Hex wrench (Spanner)	

### TOOLS REQUIRED BUT NOT INCLUDED

Pencil	Hammer	Power drill with M4 drill bits



**For Support, Assembly Questions & Replacement Parts Within the 48 Contiguous United States:**

Please email us at: [support@rtaproducts.com](mailto:support@rtaproducts.com)



Replacement Parts for International Customers & **AK-HI-PR** orders:

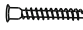
RTA Products will replace the part free of charge, while **the customer is responsible for shipping costs plus any International local taxes or duties.**

ASSEMBLY STEPS

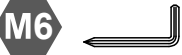
WE RECOMMEND TO PLACE THE PIECES OVER BLANKETS OR TABLECLOTHS TO PROTECT THEIR FINISH DURING ASSEMBLY.

STEP 1

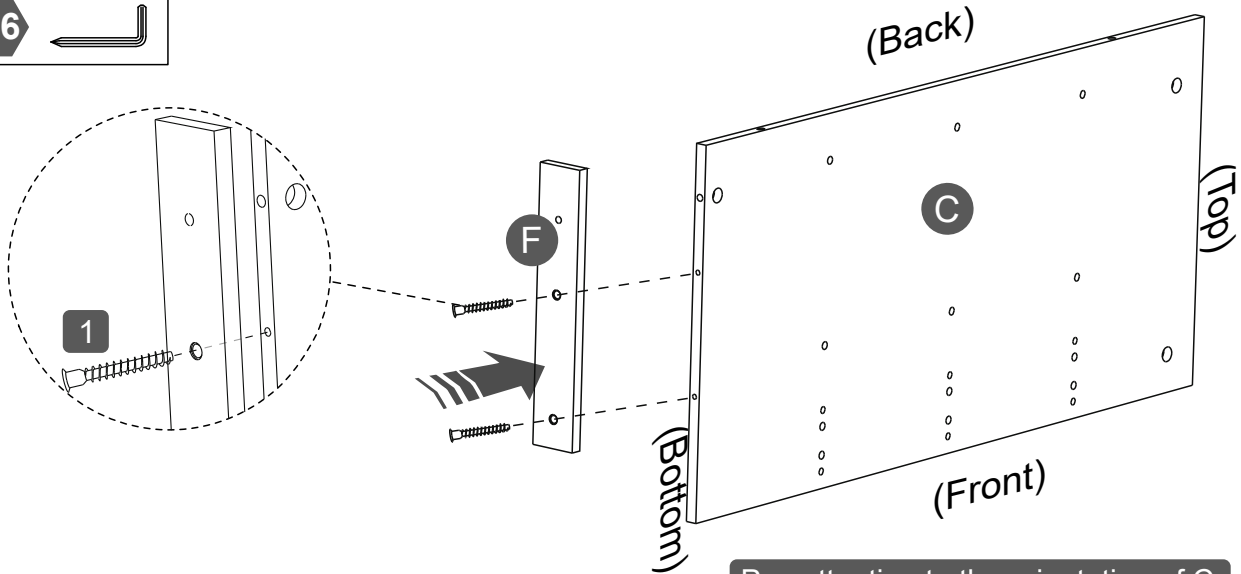
Hardware

1		2
	M7x40mm	Pcs

Tools (included)



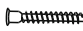
Assemble F to the bottom of C with #1.



Pay attention to the orientation of C.

STEP 2

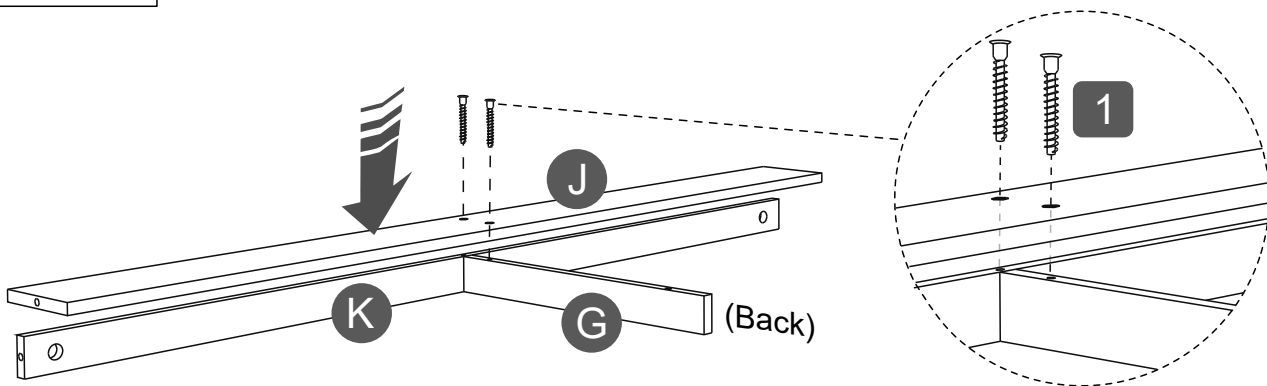
Hardware

1		2
	M7x40mm	Pcs

Tools (included)




Assemble J to G and K with #1.




ASSEMBLY STEPS

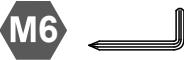
STEP 3

Hardware

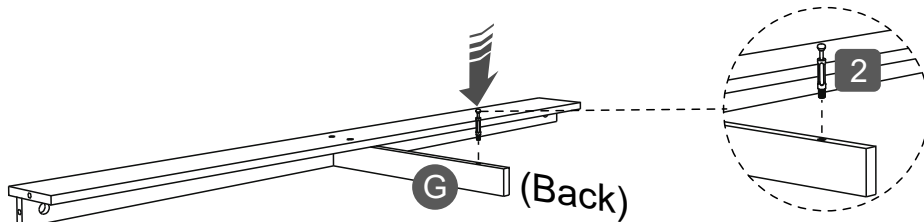
2		1 Pc
	M6x40	

3		1 Pc
	Ø15x10mm	

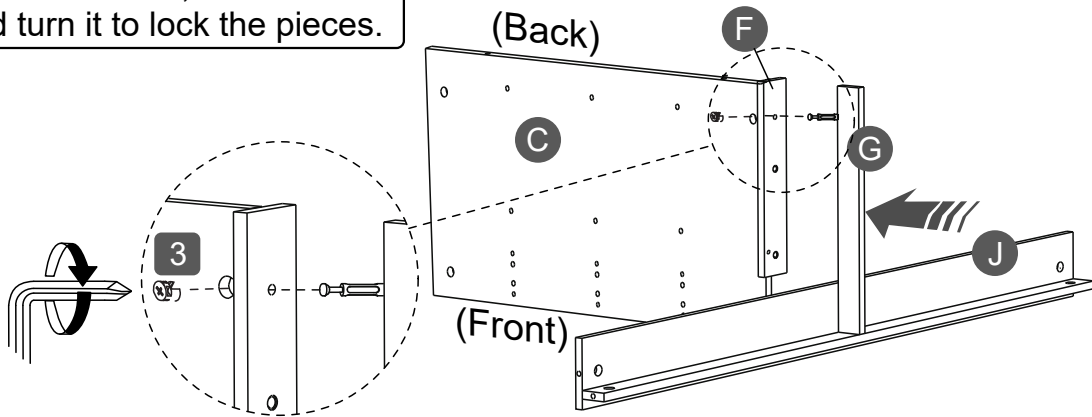
Tools (included)



FIRST: Attach one bolt #2 to G.




THEN: Join G to F, insert #3 into C, and turn it to lock the pieces.



STEP 4

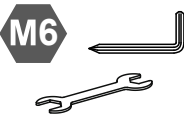
This step requires of 2 people 

Hardware

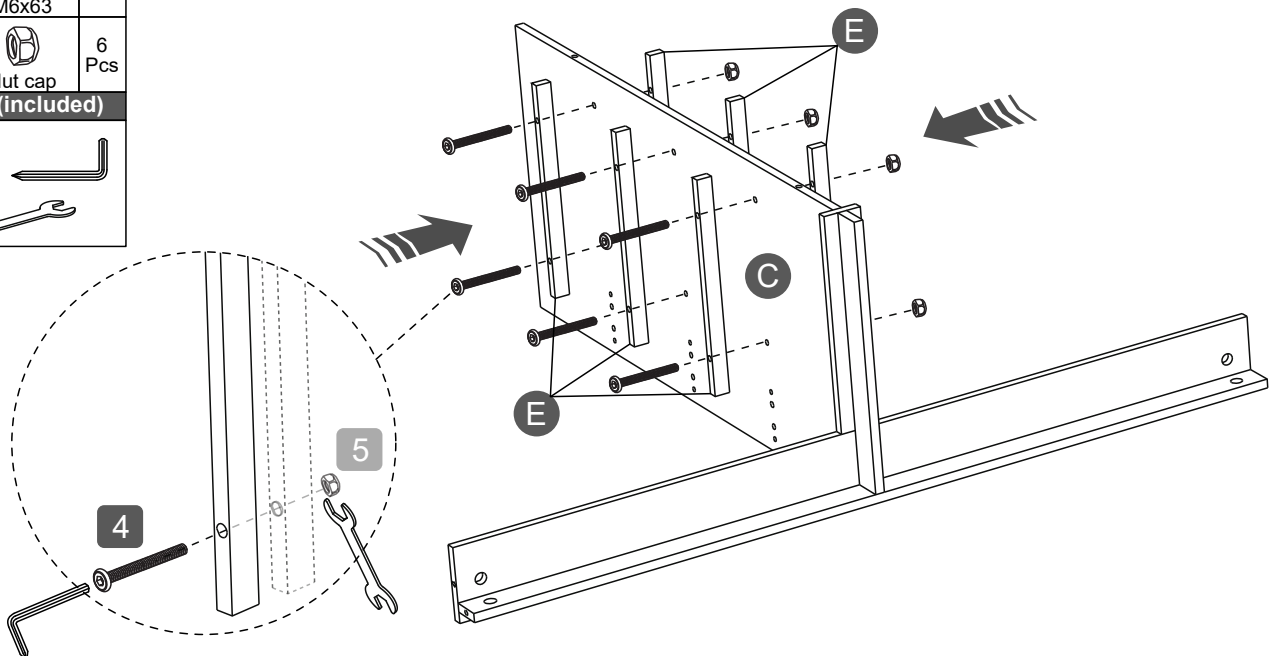
4		6 Pcs
	M6x63	

5		6 Pcs
	Nut cap	

Tools (included)




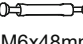
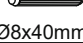
Assemble E to each side of C with #4 and #5. The screws #5 go from one side to the other through E, C, E, and catches into nut #5.



ASSEMBLY STEPS

STEP 5

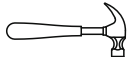
Hardware

3		12 Pcs
	Ø15x10mm	
6		6 Pcs
	M6x48mm	
7		6 Pcs
	Ø8x40mm	

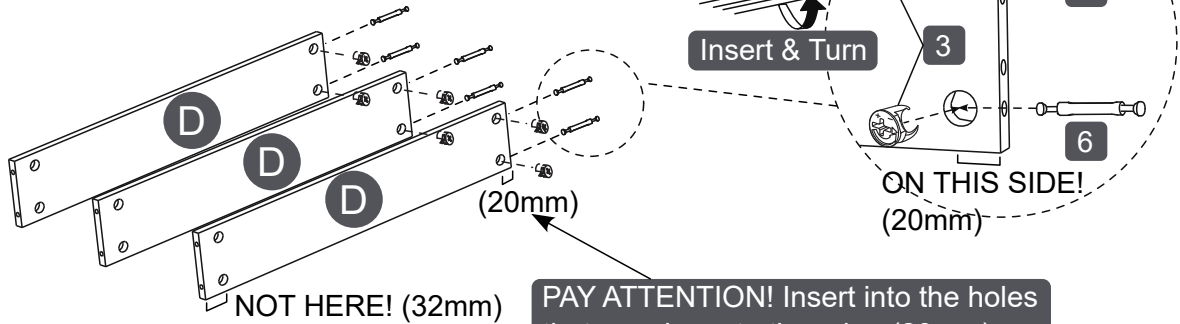
Tools (included)



Tools (Not included)

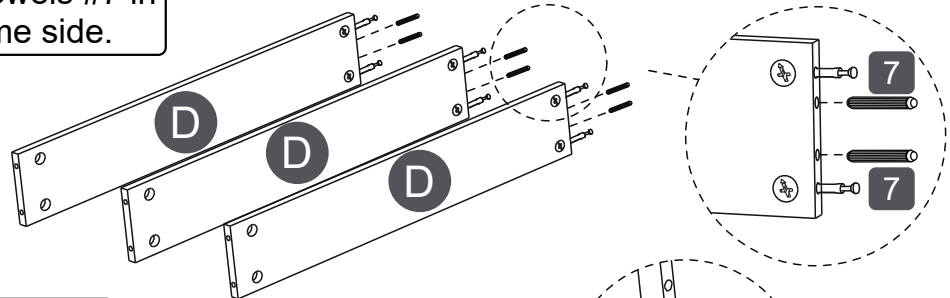


FIRST: Insert the double bolts #6 into the indicated holes on only 3 of the 6 panels D and lock the bolts with #3.

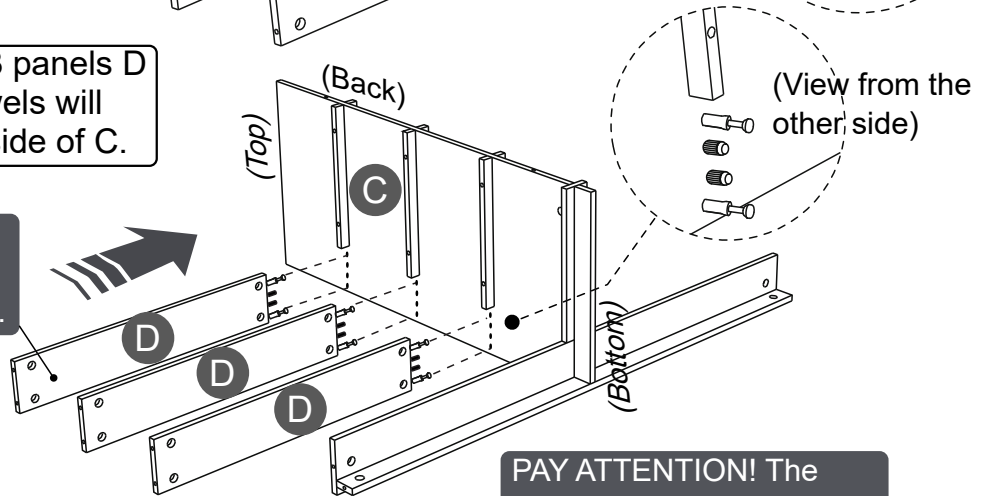


PAY ATTENTION! Insert into the holes that are closer to the edge (20mm).

THEN: Insert the longer dowels #7 in the other holes on that same side.



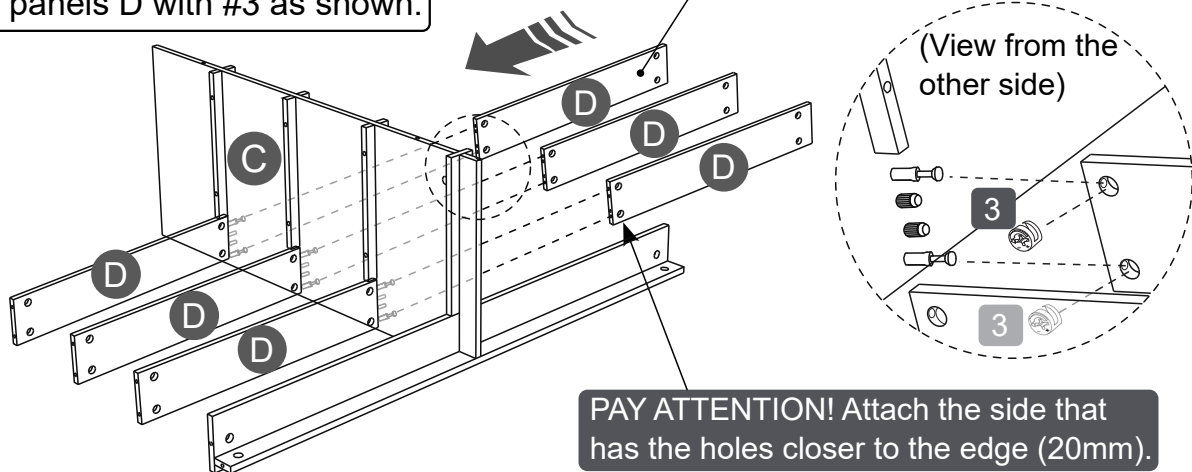
THEN: Connect those 3 panels D to C. The bolts and dowels will come out on the other side of C.



PAY ATTENTION! The surface with big holes facing towards the bottom.

PAY ATTENTION! The surface with big holes facing towards the bottom.

LAST: On the other side of C, connect the other 3 panels D with #3 as shown.




PAY ATTENTION! Attach the side that has the holes closer to the edge (20mm).

ASSEMBLY STEPS

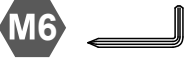
STEP 6

Hardware

2  16 Pcs  
M6x40

9  16 Pcs  
M6x25

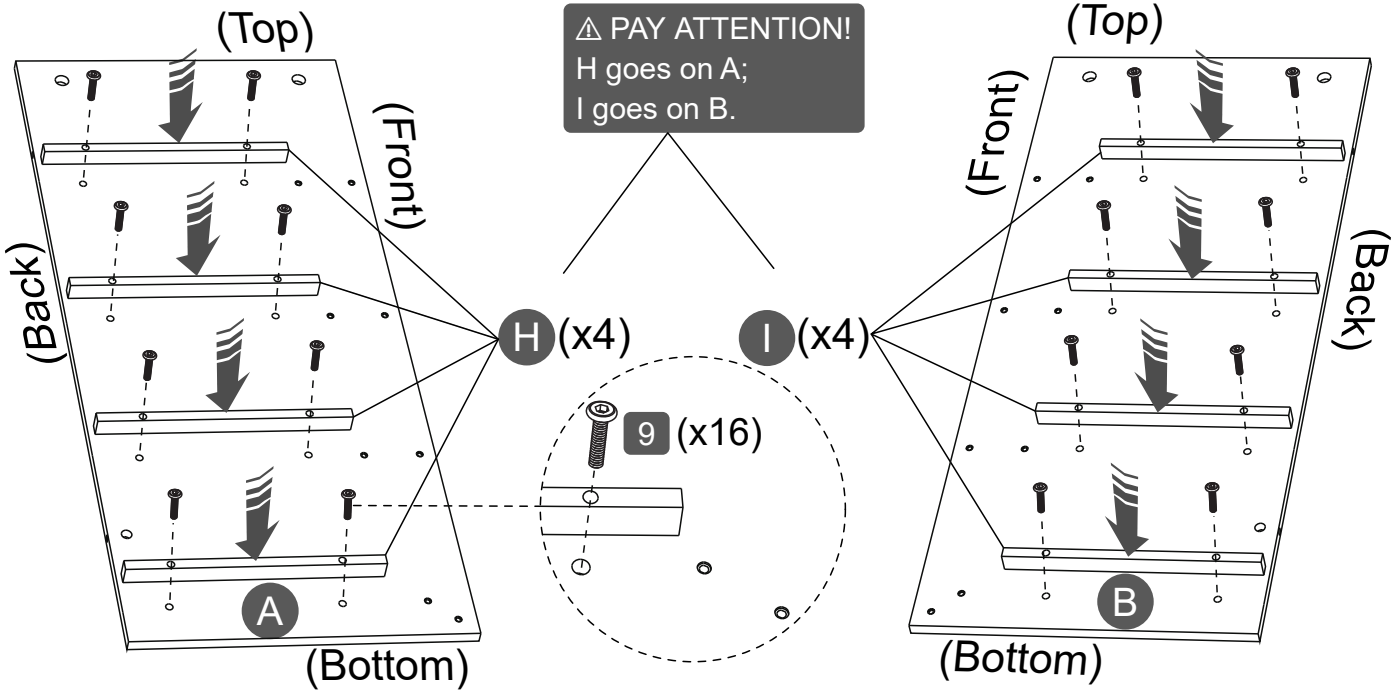
Tools (included)



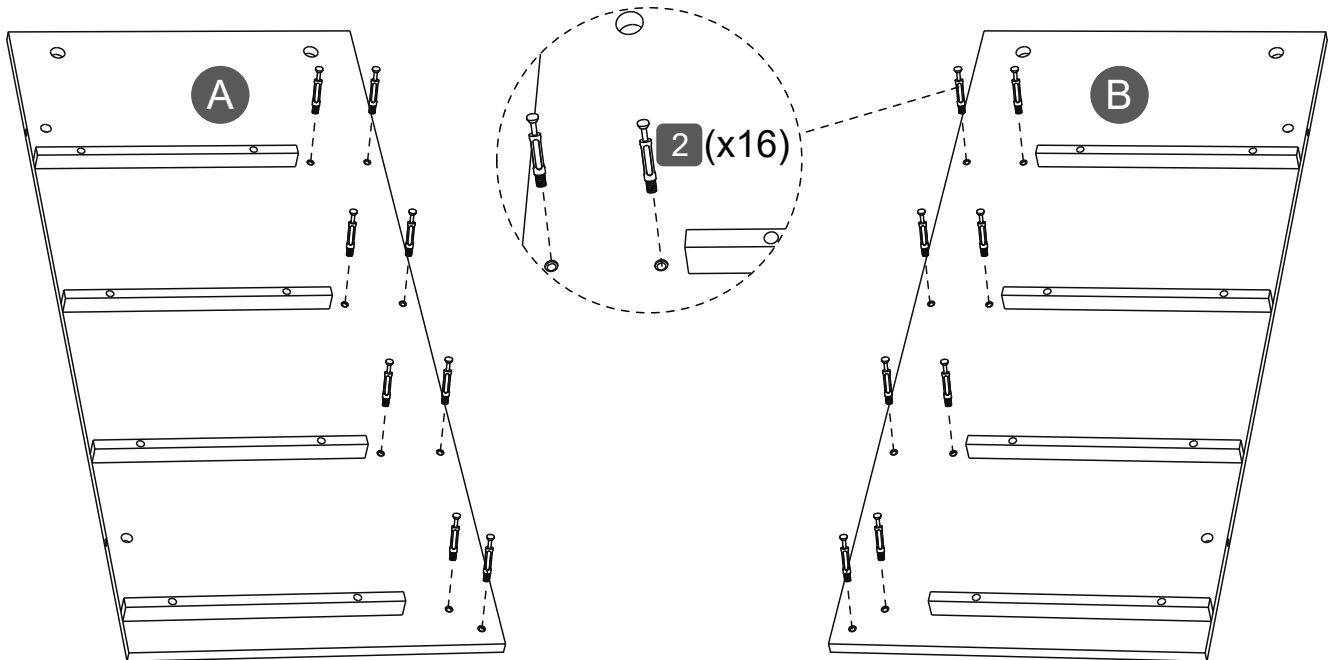
FIRST: Attach H to A with #9.

THEN: Attach I to B with #9.

⚠ PAY ATTENTION!  
H goes on A;  
I goes on B.



LAST: Attach #2 to both A and B.



ASSEMBLY STEPS

**STEP 7**

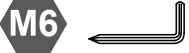
This step requires of 2 people



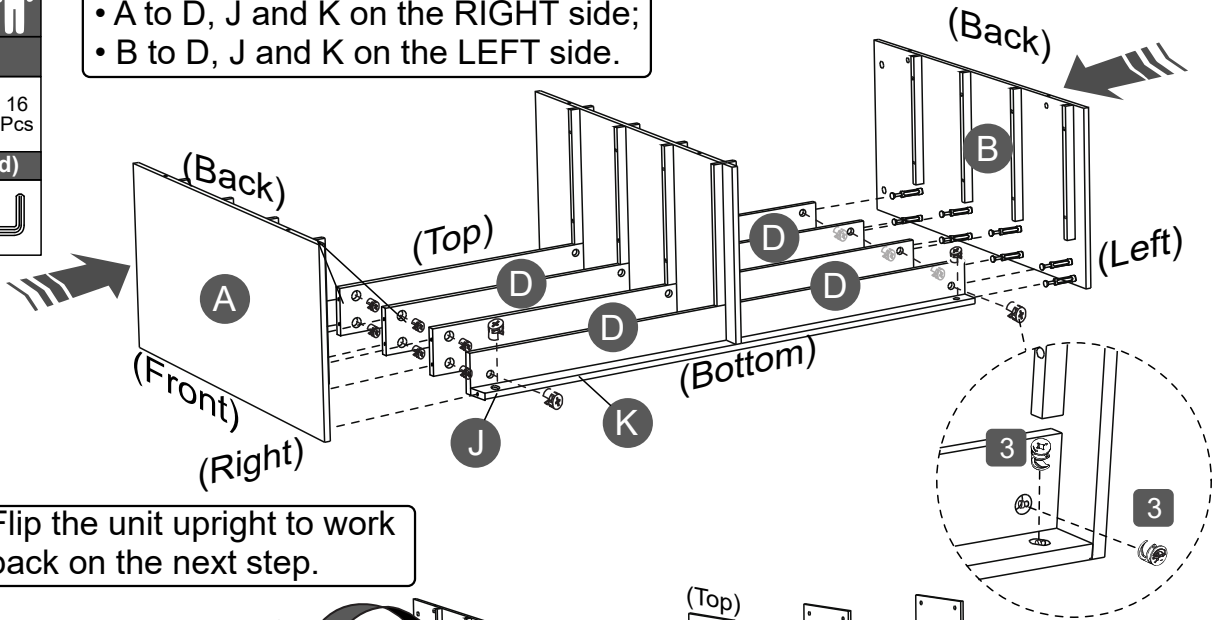
**Hardware**

3  16 Pcs  
Ø15x10mm

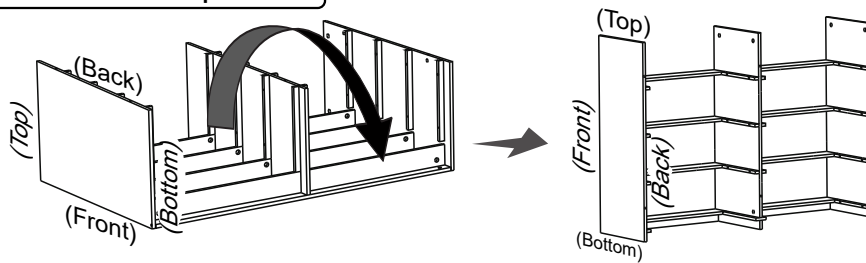
**Tools (included)**



**FIRST:** Use #3 to attach:  
 • A to D, J and K on the RIGHT side;  
 • B to D, J and K on the LEFT side.



**THEN:** Flip the unit upright to work from its back on the next step.

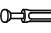



**STEP 8**

This step requires of 2 people

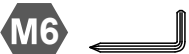


**Hardware**

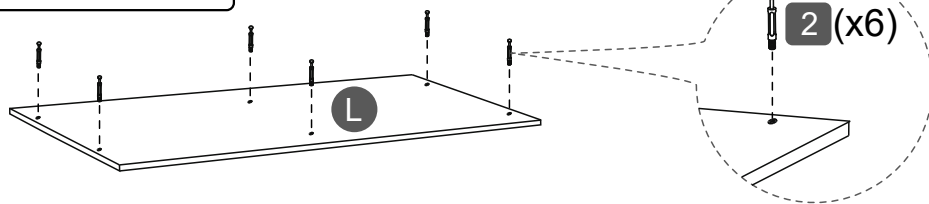
2  6 Pcs  
Ø6x40mm

3  6 Pcs  
Ø15x10mm

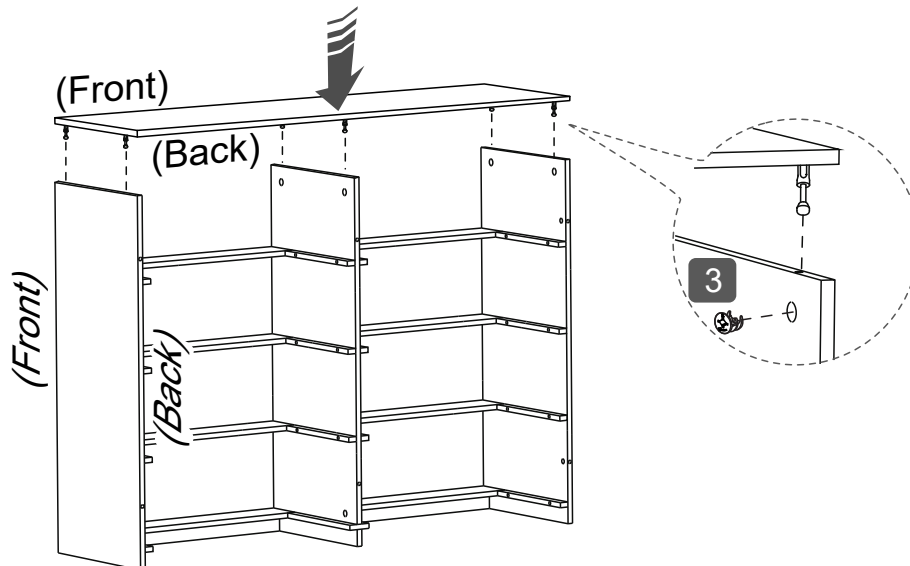
**Tools (included)**

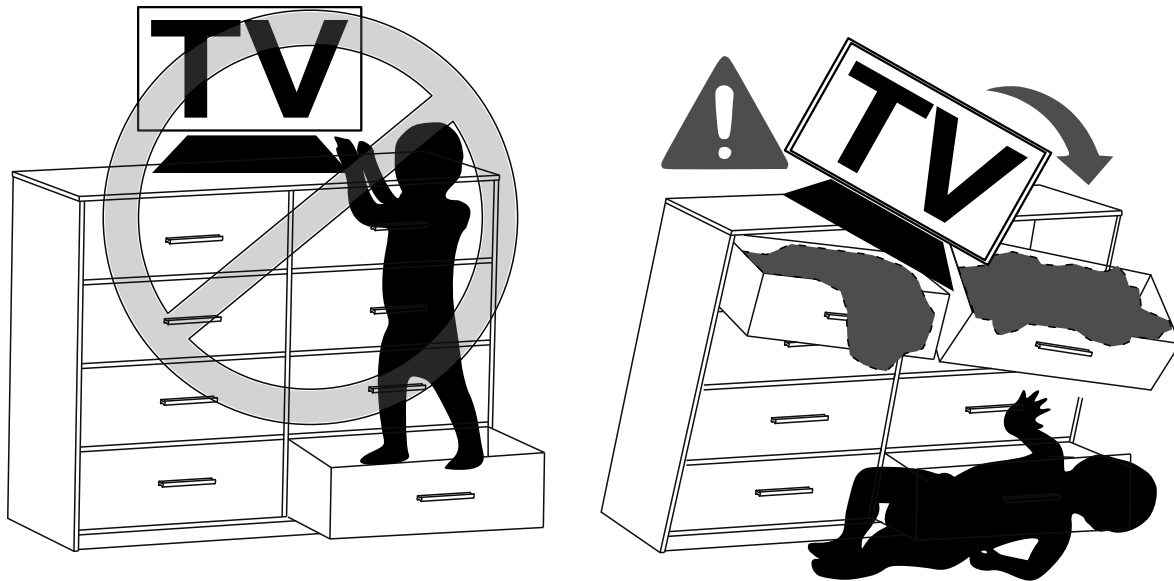


**FIRST:** Attach #2 to L.



**THEN:** Attach L to A, B and C with #3.



**TIP OVER WARNING!****VERY IMPORTANT - PLEASE READ!**

**Children have died from furniture tip over. To reduce the risk of tip over:**

- Install the anti tipping device that is included with this product.
- Follow the instructions on the next page of this manual for installing the anti tipping device and have the unit secure to a wall.
- NEVER allow children to stand, climb, or hang on drawers, doors or shelves.
- Place heaviest items in the lowest drawers.
- NEVER put a TV on this furniture.



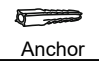
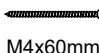
Please continue with the rest of the assembly instructions on the next page. Thank you.

ASSEMBLY STEPS

STEP 9

This step requires of 2 people 

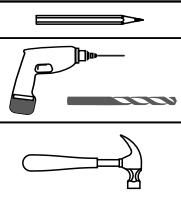
Hardware

8		6 Pcs
13		2 Pcs
14		2 Pcs
15		2 Pcs

Tools (included)

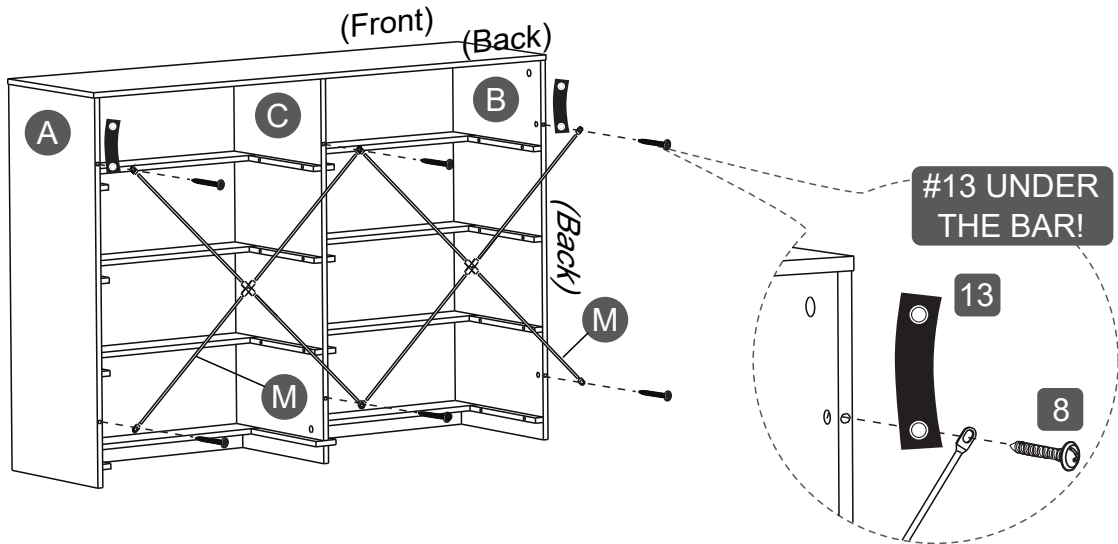


Tools (Not included)



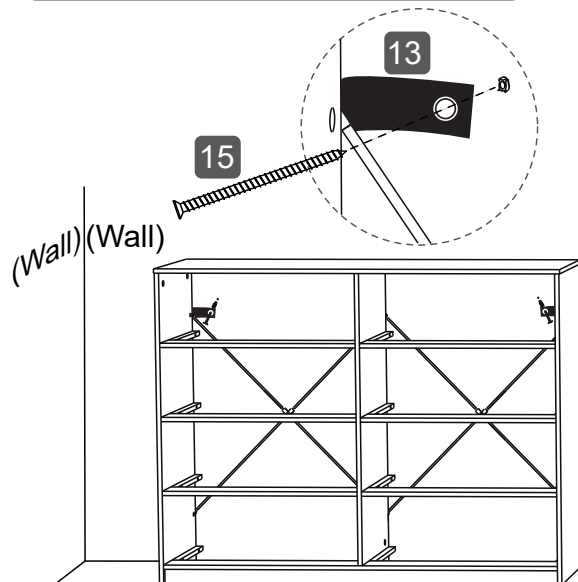
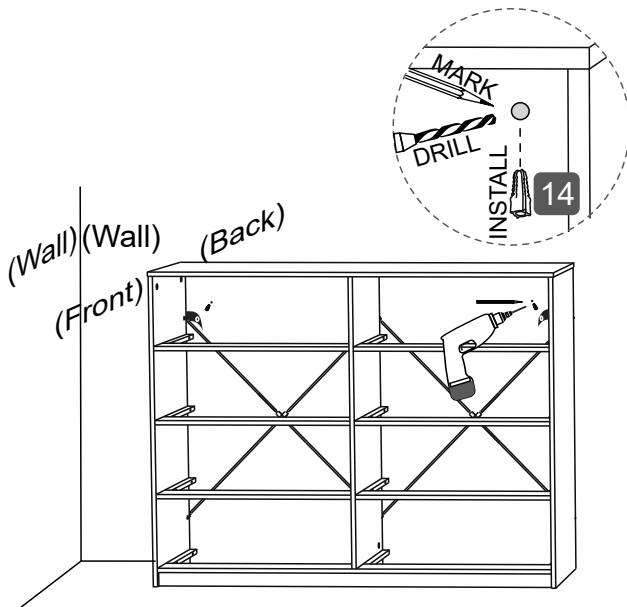
**DO NOT SKIP THE INSTALLATION OF THE ANTI TIPPING DEVICE!**

**FIRST:** On the back of the unit, attach the cross bars M to the panels A, B and C with screws #8, with the Safety Strips #13 also installed AT THE TOP AND UNDER the cross bars on A and B.



**THEN:** Put the unit against the wall where it will stay, and use a driller (not included) to make 2 holes on the wall and insert the anchor #14 for the 2 safety strips.

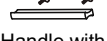
**LAST:** Secure the safety strips to the anchors with screws #15.



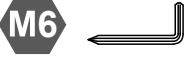
## ASSEMBLY STEPS

### STEP 10

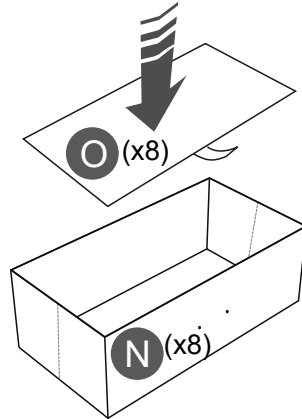
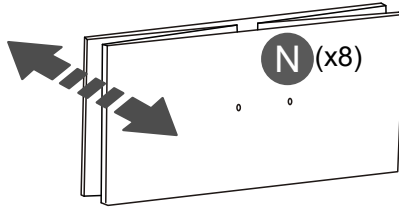
#### Hardware

10  8 Sets  
Handle with 2 screws

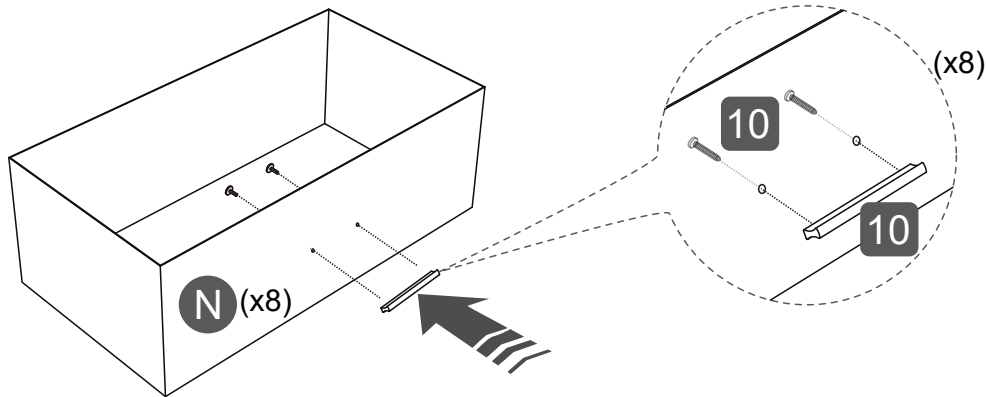
#### Tools (Included)



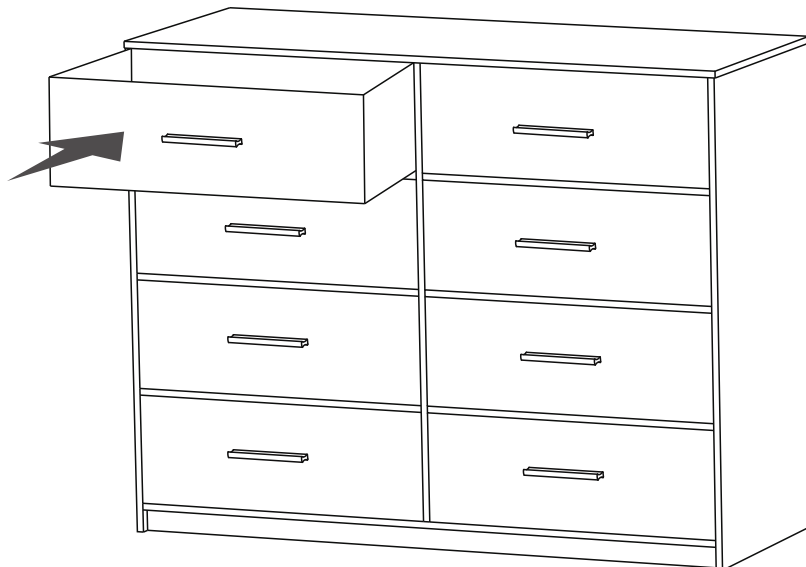
FIRST: Unfold the drawers N and place the bottoms O into each of them.



THEN: Attach the handles #10 to the drawers with their own screws.



FINALLY: Insert the drawers into the unit.

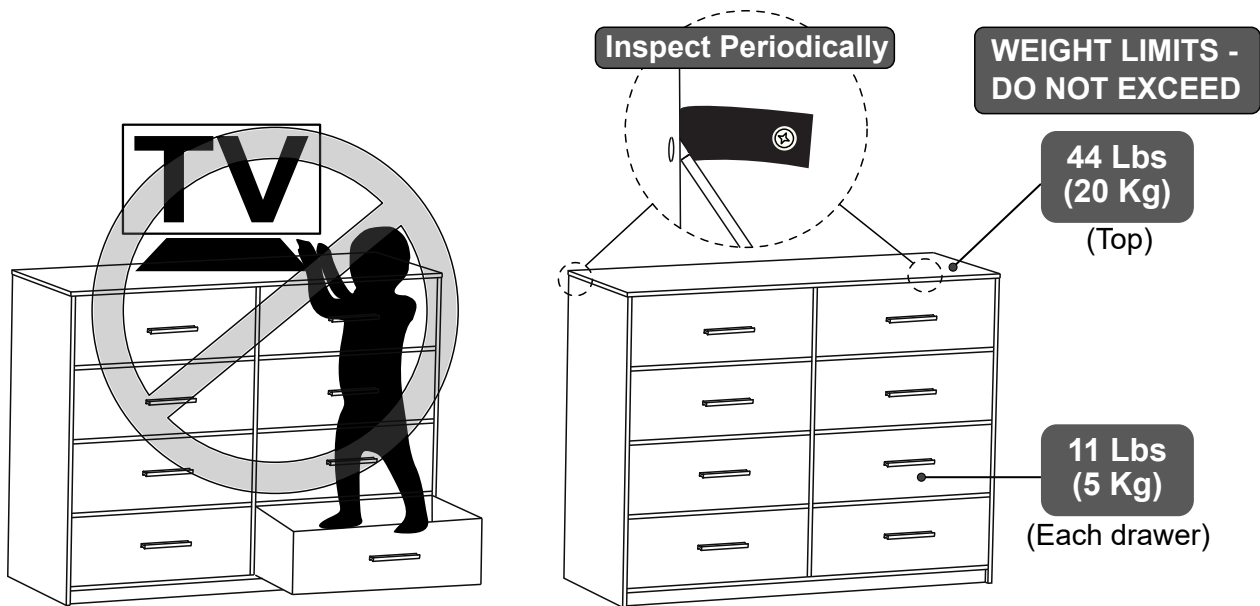


**WARNINGS**

Not paying attention to the following warnings could result in injuries.

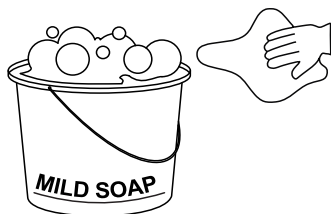
**Children have died from furniture tip over. To reduce the risk of tip over:**

- Make sure you have installed the anti tipping device that has been included with this product.
- NEVER allow children to stand, climb, or hang on drawers, doors or shelves.
- Place heaviest items in the lowest drawers.
- NEVER put a TV on this furniture.
- Every 4 months, inspect the anti tipping device to make sure it is still secured to both the unit and the wall.
- Do not exceed the indicated weight limits.



**CARE AND MAINTENANCE**

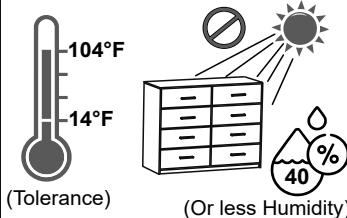
Clean with a cloth lightly damped in a solution of mild soap and water.



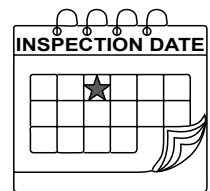
Do not use solvents or abrasive materials.



Do not expose to direct sunlight or extreme environmental conditions.



Inspect and re-tighten loose screws on the unit every 4 months.



**LIMITED WARRANTY**



For details, please visit our website:  
TechniHome.com

To file a claim or request information, please email to:  
warranty@rtaproducts.com

