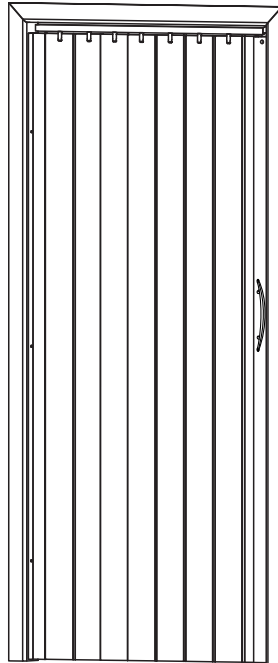




**MODELS: RTA-LF32FD  
RTA-LF36FD  
RTA-LF48FD**


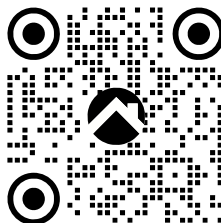
**ASSEMBLY INSTRUCTIONS**

(REV.YN-8896-0525)



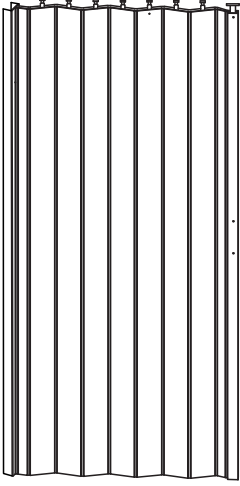




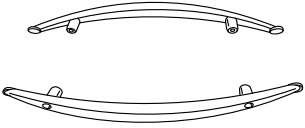
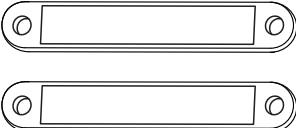
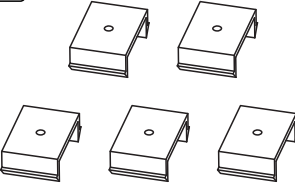

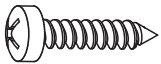
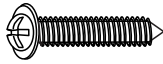

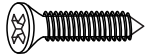
Thank you for purchasing our product!

 **Visit our Website**  
[www.technihome.com](http://www.technihome.com)  


 **View Assembly Video**  


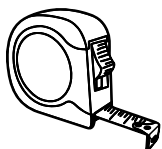
 **Contact Us**  
[support@rtaproducts.com](mailto:support@rtaproducts.com)  


## PARTS LIST

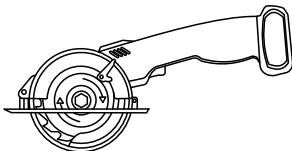
<b>A</b> Folding Door <b>x1</b> 	<b>B</b> Top Track <b>x1</b>  <b>32"L</b> For LF32FD  <b>36"L</b> For LF36FD  <b>48"L</b> For LF48FD	<b>C</b> Side Track <b>x1</b>  <b>78.75"L</b> (This is standard for all models)	
<b>D</b> Handles <b>x2</b> 	<b>E</b> Metal Plate <b>x2</b> 	<b>F</b> Fasteners <b>x5</b> 	<b>G</b> Lubricant <b>x1</b> 
<b>B-S</b> M4x16 Screws for Top Track/Fasteners <b>x10</b> For LF32FD <b>x11</b> For LF36FD <b>x12</b> For LF48FD 	<b>C-S</b> M3.5x20 Screws for Side Track <b>x5</b> 	<b>D-S</b> M4x38 Screws for Handles <b>x2</b> 	<b>E-S</b> M3.5x15 Screws for Plates <b>x4</b> 

**NOTE:** This product does not include any tools, you will need to have the following available during the installation:

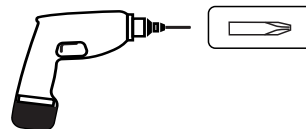
Measurement tape



Electric hand saw



Power driver with Phillips bits (recommended) or screwdriver



Pencil



**For Support, Assembly Questions & Replacement Parts Within the 48 Contiguous United States:**

Please email us at: [support@rtaproducts.com](mailto:support@rtaproducts.com)



Replacement Parts for International Customers & **AK-HI-PR** orders:  
 RTA Products will replace the part free of charge, while **the customer is responsible for shipping costs plus any International local taxes or duties.**

**INSTALLATION INSTRUCTIONS**

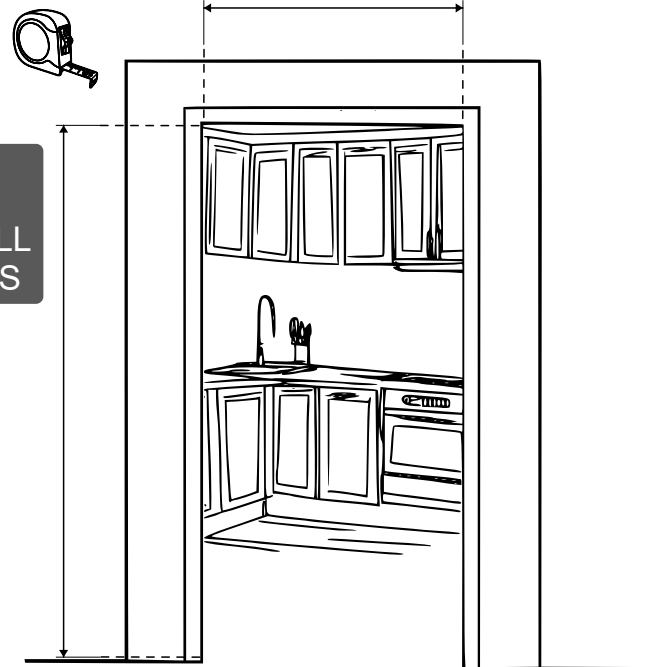
Please note that these products have standard measurements ready to install, however, if your door is just little shorter, you can trim the track's length or the door piece's height to custom-fit on your door.

**STEP 1**

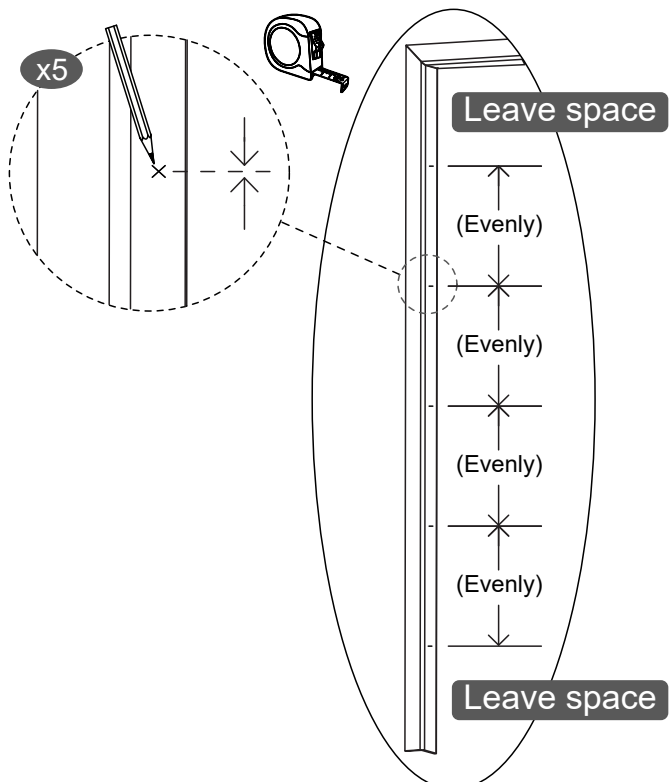
**FIRST:** Make sure the product can fit on your doorway by measuring its width and height.

**WIDTHS:** LF32FD = 32"  
LF36FD = 36"  
LF48FD = 48"

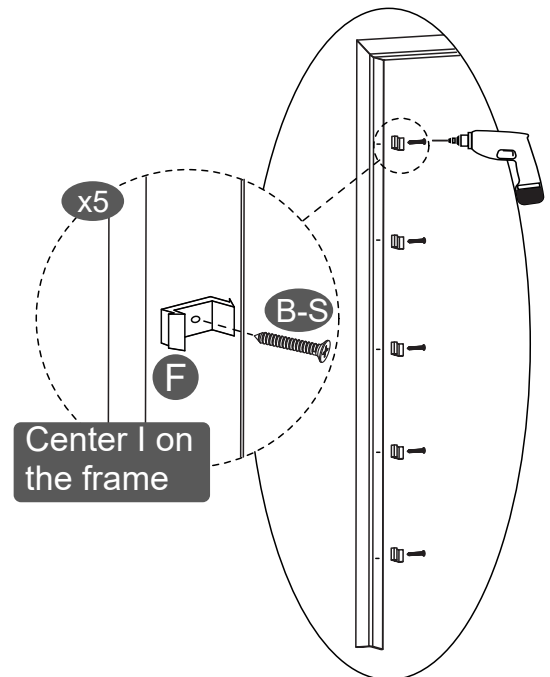
**HEIGHTS:**  
80" STANDARD  
HEIGHT FOR ALL  
THESE MODELS



**THEN:** On the side of your door where the door will be fixed, mark 5 points centered on the frame beam at evenly spaces between them. Make sure to leave a good space at the top and the bottom.



**LAST:** Attach the fasteners F to your doorway with screws B-S.

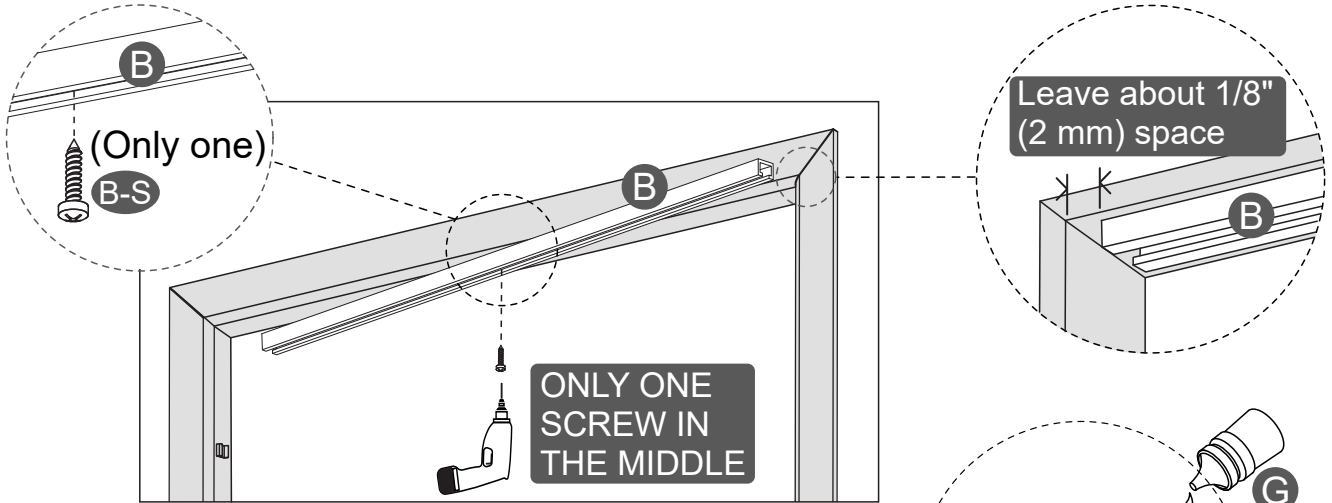


INSTALLATION INSTRUCTIONS

STEP 2

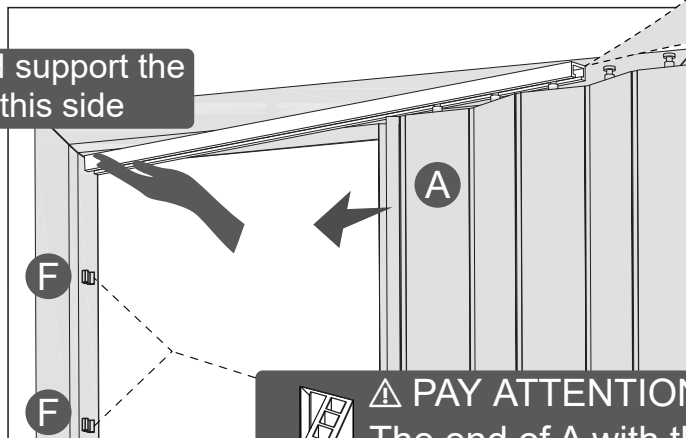
This step requires of 2 persons

FIRST: Attach the top track B to the top of your doorway using ONLY ONE screw B-S in the middle, and leaving about 1/8" (2mm) space from each side.



THEN: Slide in the glides from piece A through the track B on one end, while holding the other end.

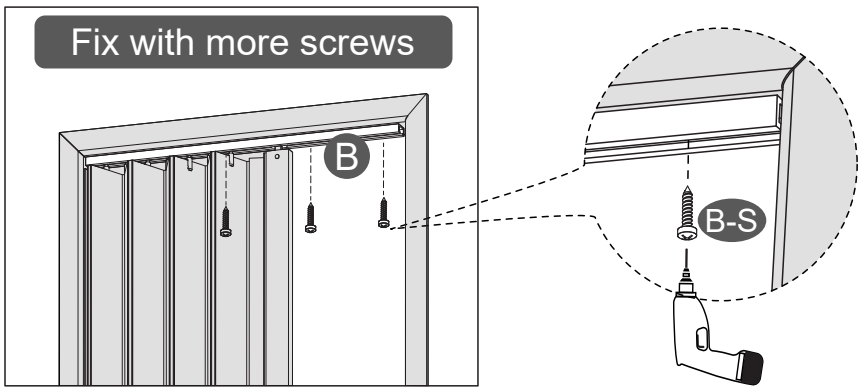
Hold and support the track on this side



⚠ PAY ATTENTION: The end of A with this profile will slide towards the door side with the fasteners F.

LAST: Secure the track to your doorway with more screws B-S.

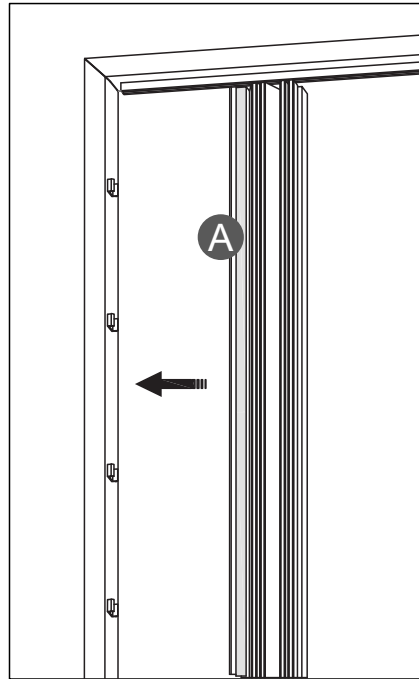
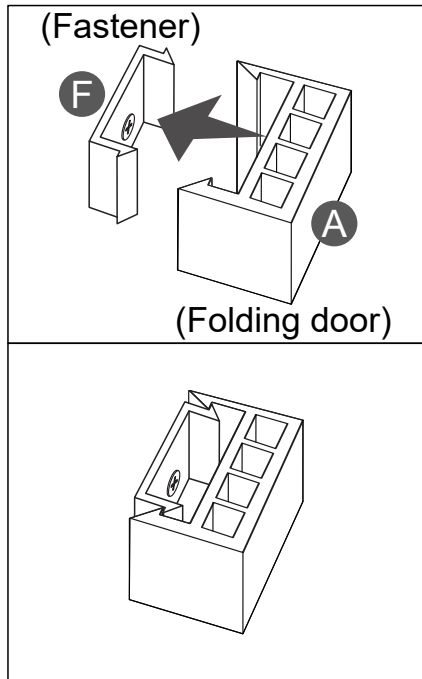
Fix with more screws



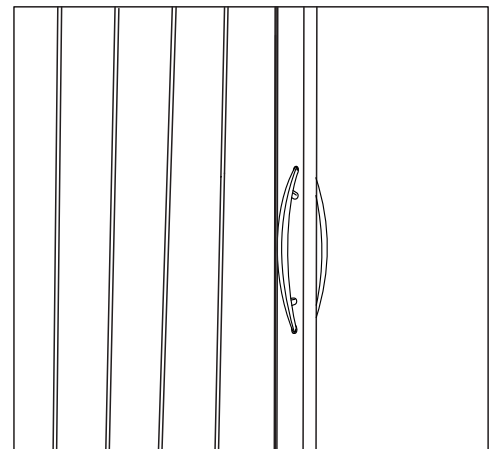
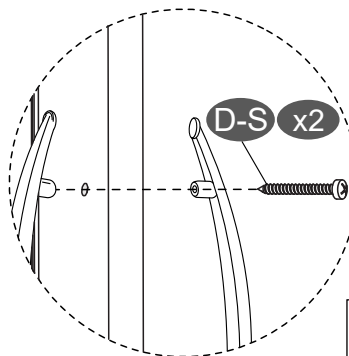
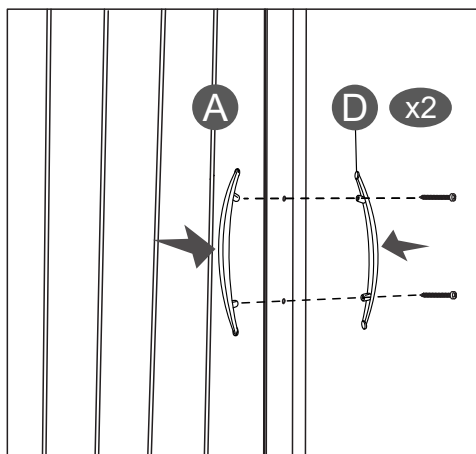
INSTALLATION INSTRUCTIONS

STEP 3

FIRST: fasten the end track of piece A to the fasteners F.



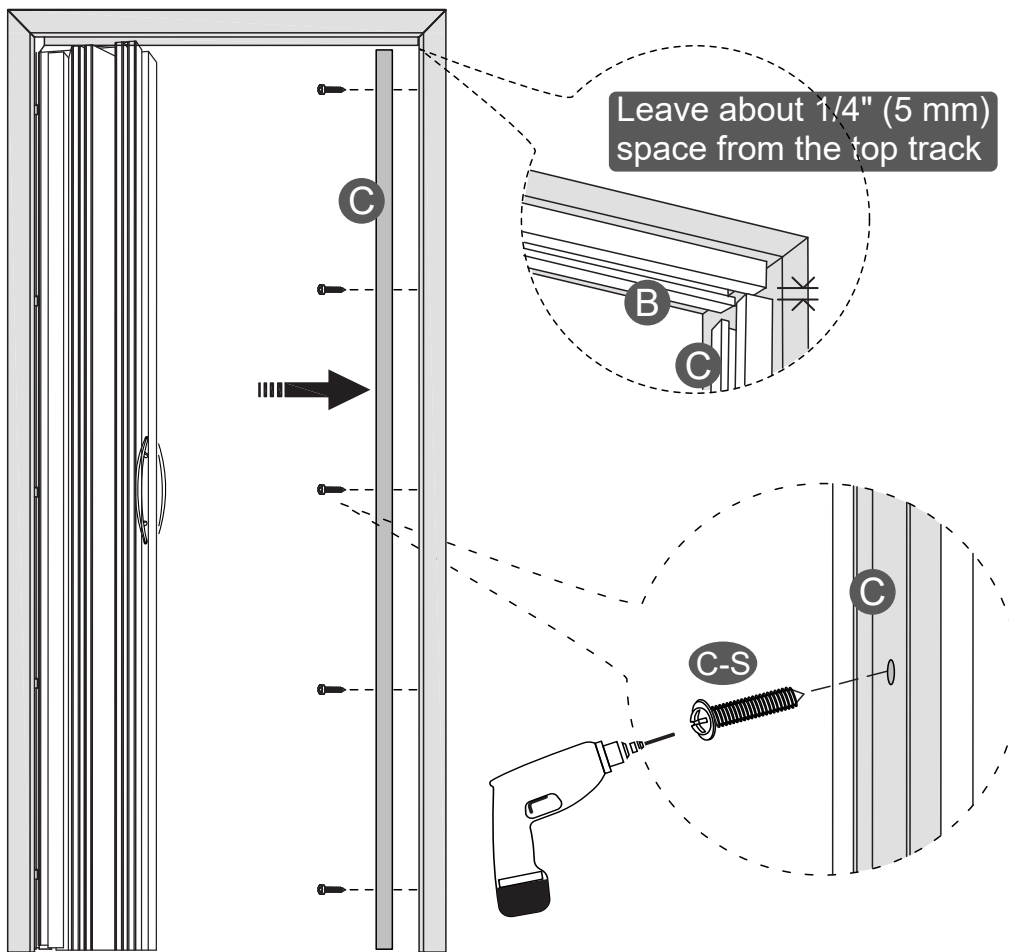
THEN: Install the handles D to piece A with D-S.



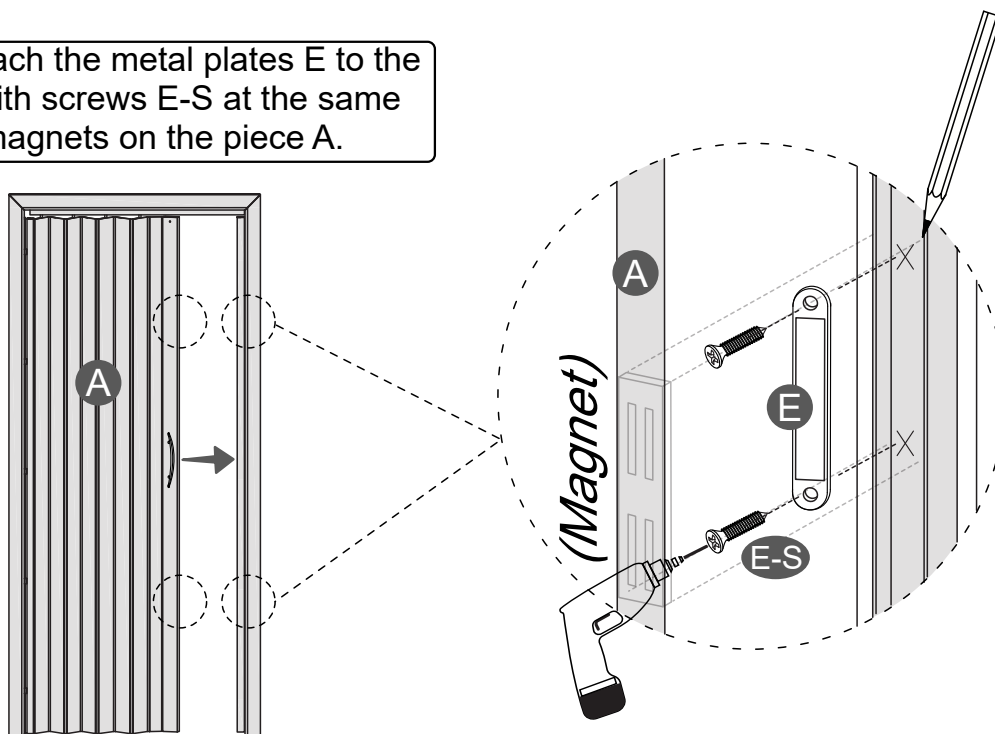
INSTALLATION INSTRUCTIONS

STEP 4

FIRST: Attach the side track C to the other side of your doorway with C-S.



FINALLY: Attach the metal plates E to the door frame with screws E-S at the same level as the magnets on the piece A.



**WARNINGS, CARE AND MAINTENANCE**

To avoid the risk of suffocation to children and pets, dispose of the plastic bags immediately after the installation is done.



Use a soft bristled brush to dust.



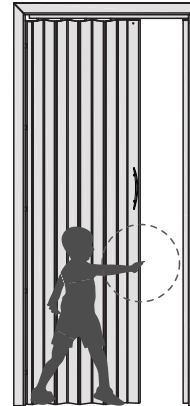
Clean with a lightly dampened cloth in a solution of mild soap and water.



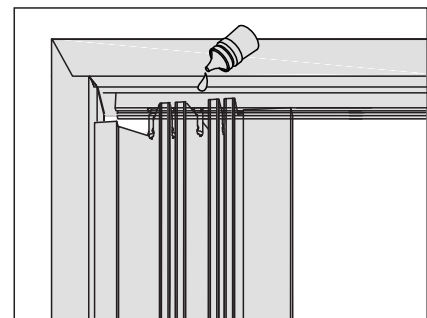
Do not use solvents or abrasive materials.



Be mindful of small children to avoid their fingers getting caught in the door.



Do not force the door to open or close if it feels stuck or hard to open/close. Instead, apply a little of lubricant to the glides on the top track and open and close gently for the lubricant to spread evenly.



**LIMITED WARRANTY**

For details on the Warranty Policy, please visit online: [www.technihome.com](http://www.technihome.com)  
Or contact us by email: [warranty@rtaproducts.com](mailto:warranty@rtaproducts.com)