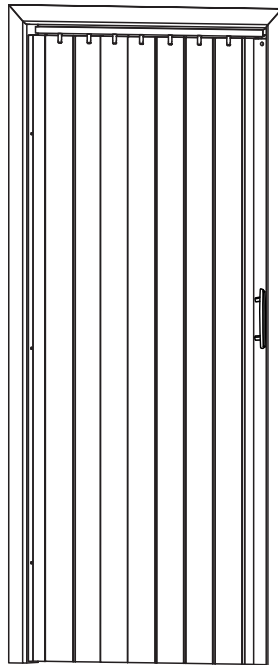




**MODELS: RTA-ST32FD  
RTA-ST36FD  
RTA-ST48FD**

**ASSEMBLY INSTRUCTIONS**


(REV.YN-8896-0525)

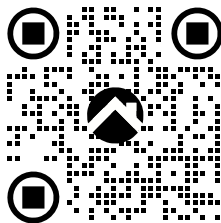


Thank you for purchasing our product!

 **Visit our Website**  
[www.technihome.com](http://www.technihome.com)



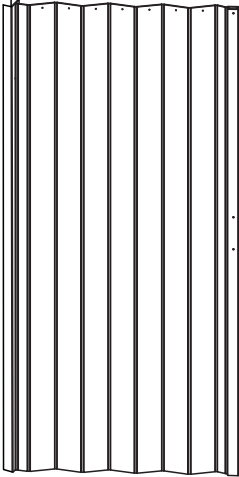



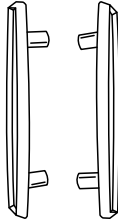

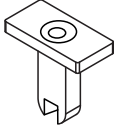

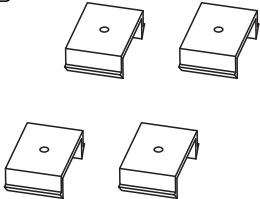

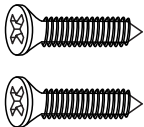
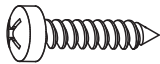

 **View Assembly Video**



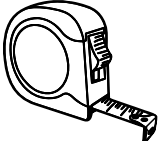
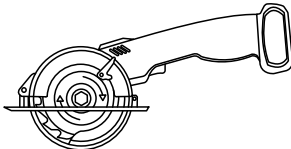
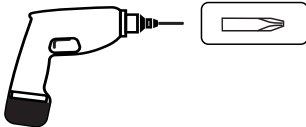

 **Contact Us**  
[support@rtaproducts.com](mailto:support@rtaproducts.com)



**PARTS LIST**

<p><b>A</b> Folding Door x1</p> 	<p><b>B</b> Top Track x1</p>  <p>32"L For ST32FD</p>  <p>36"L For ST36FD</p>  <p>48"L For ST48FD</p>	<p><b>C</b> Handles x2</p> 	
<p><b>E</b> Metal Plate x1</p> 	<p><b>F</b> Square Top Glide x1</p> 	<p><b>G</b> Pins x2</p> 	<p><b>I</b> Fasteners x4</p> 
<p><b>H</b> Lubricant x1</p> 	<p><b>A-S</b> M3.5x15 Screws for Plate x2</p> 	<p><b>B-S</b> M4x16 Screws for Track/Fasteners x9 For ST32FD x10 For ST36FD x11 For ST48FD</p> 	<p><b>C-S</b> Screw for Top Square Glide x1</p> 

**NOTE:** This product does not include any tools, you will need to have the following available during the installation:

<p>Measurement tape</p> 	<p>Electric hand saw</p> 	<p>Power driver with Phillips bits (recommended) or screwdriver</p> 	<p>Pencil</p> 
---	--	--	---



**For Support, Assembly Questions & Replacement Parts Within the 48 Contiguous United States:**

Please email us at: [support@rtaproducts.com](mailto:support@rtaproducts.com)



Replacement Parts for International Customers & **AK-HI-PR** orders:  
RTA Products will replace the part free of charge, while **the customer is responsible for shipping costs plus any International local taxes or duties.**

**INSTALLATION INSTRUCTIONS**

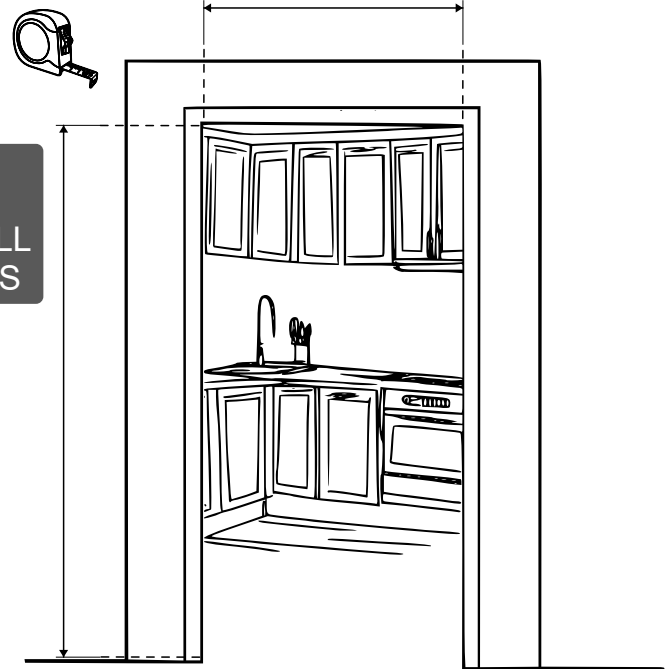
Please note that these products have standard measurements ready to install, however, if your door is just little shorter, you can trim the track's length or the door piece's height to custom-fit on your door.

**STEP 1**

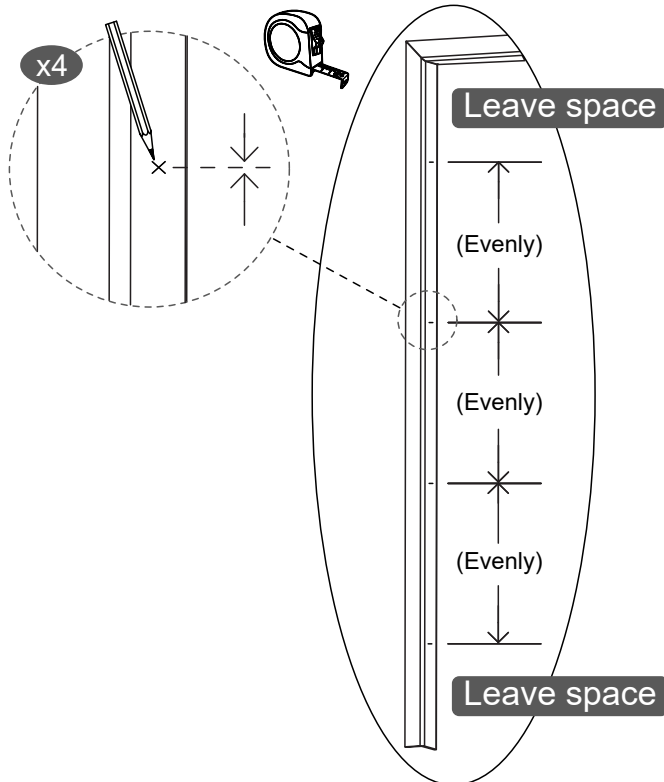
**FIRST:** Make sure the product can fit on your doorway by measuring its width and height.

**WIDTHS:** ST32FD = 32"  
ST36FD = 36"  
ST48FD = 48"

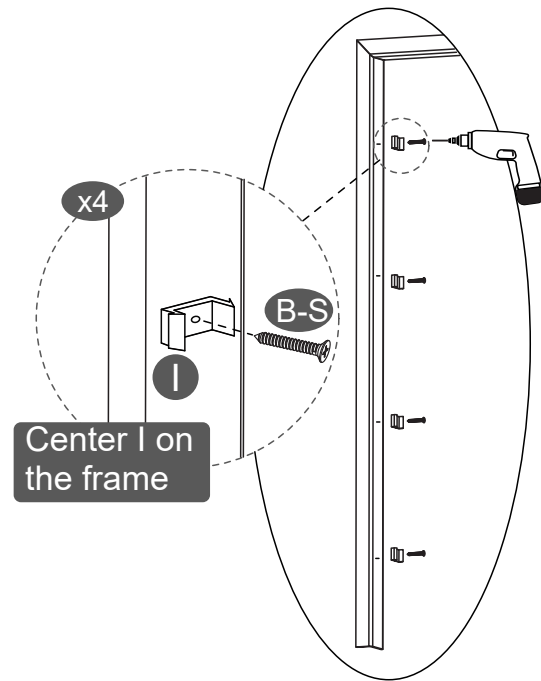
**HEIGHTS:**  
80" STANDARD  
HEIGHT FOR ALL  
THESE MODELS



**THEN:** On the side of your door where the door will be fixed, mark 4 points centered on the frame beam at evenly spaces between them. Make sure to leave a good space at the top and the bottom.



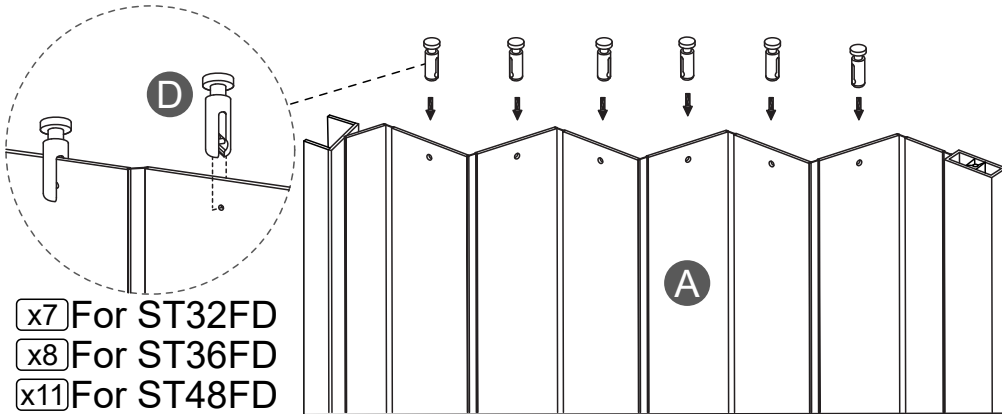
**LAST:** Attach the fasteners I to your doorway with screws B-S.



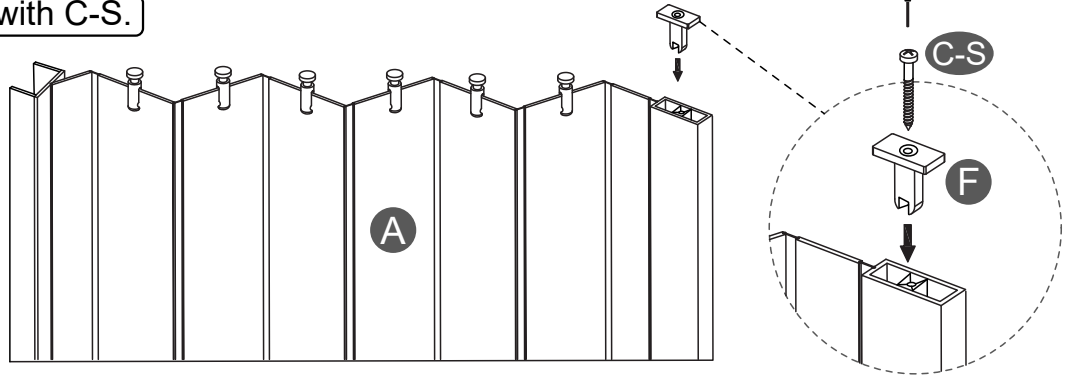
INSTALLATION INSTRUCTIONS

STEP 2

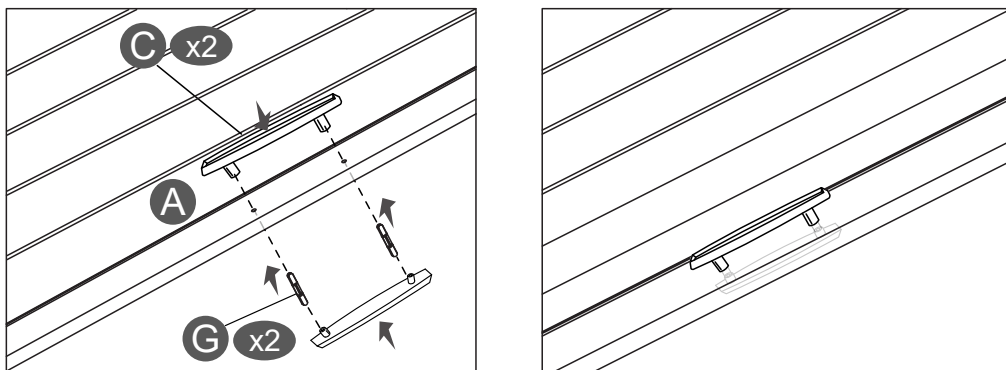
FIRST: Install the glides D to the mounting holes on piece A.



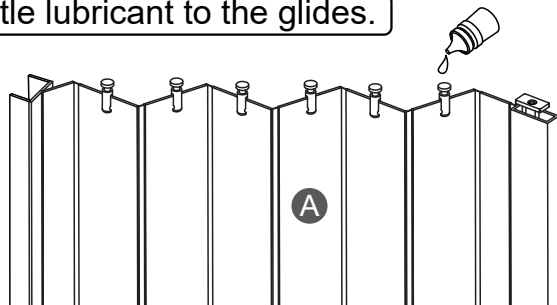
THEN: Install F with C-S.



THEN: Install the handles C by connecting them with G.



LAST: Apply a little lubricant to the glides.

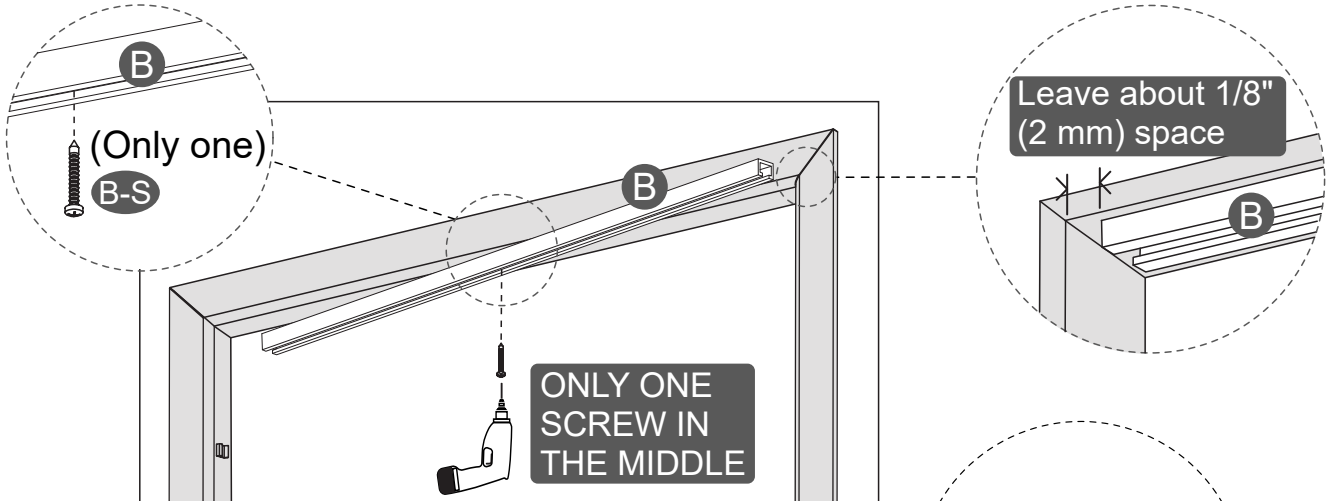


INSTALLATION INSTRUCTIONS

STEP 3

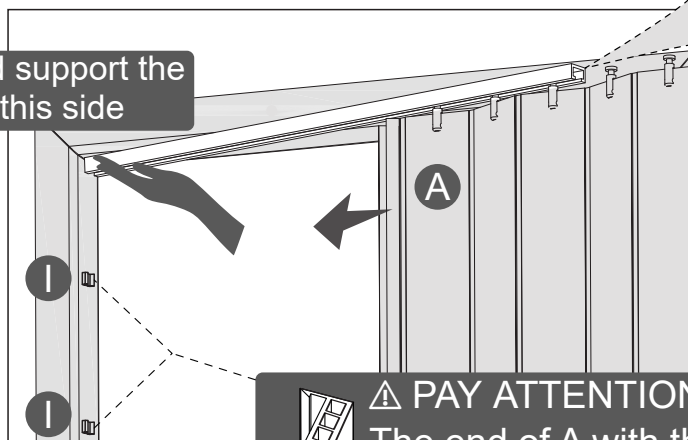
This step requires of 2 persons

FIRST: Attach the top track B to the top of your doorway using ONLY ONE screw B-S in the middle, and leaving about 1/8" (2mm) space from each side.



THEN: Slide in the glides from piece A through the track B on one end, while holding the other end.

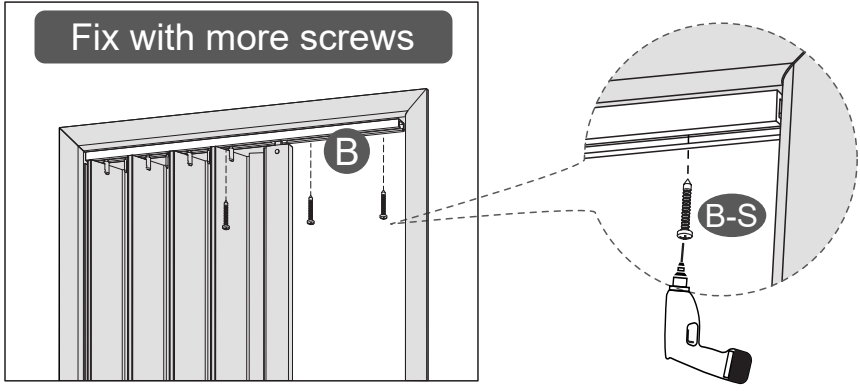
Hold and support the track on this side



**⚠ PAY ATTENTION:**  
The end of A with this profile will slide towards the door side with the fasteners I.

LAST: Secure the track to your doorway with more screws B-S.

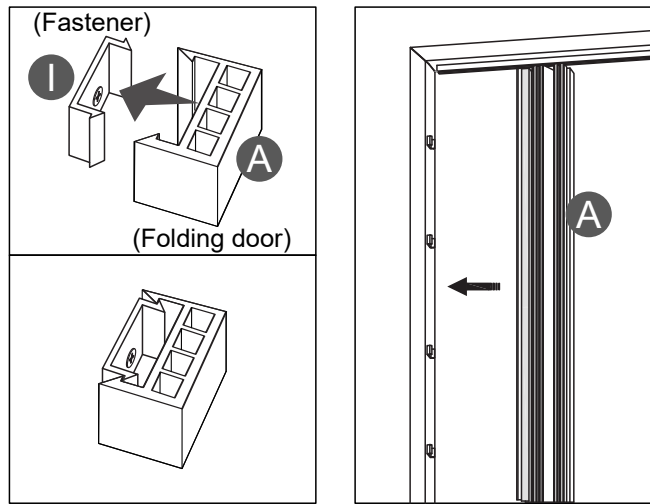
Fix with more screws



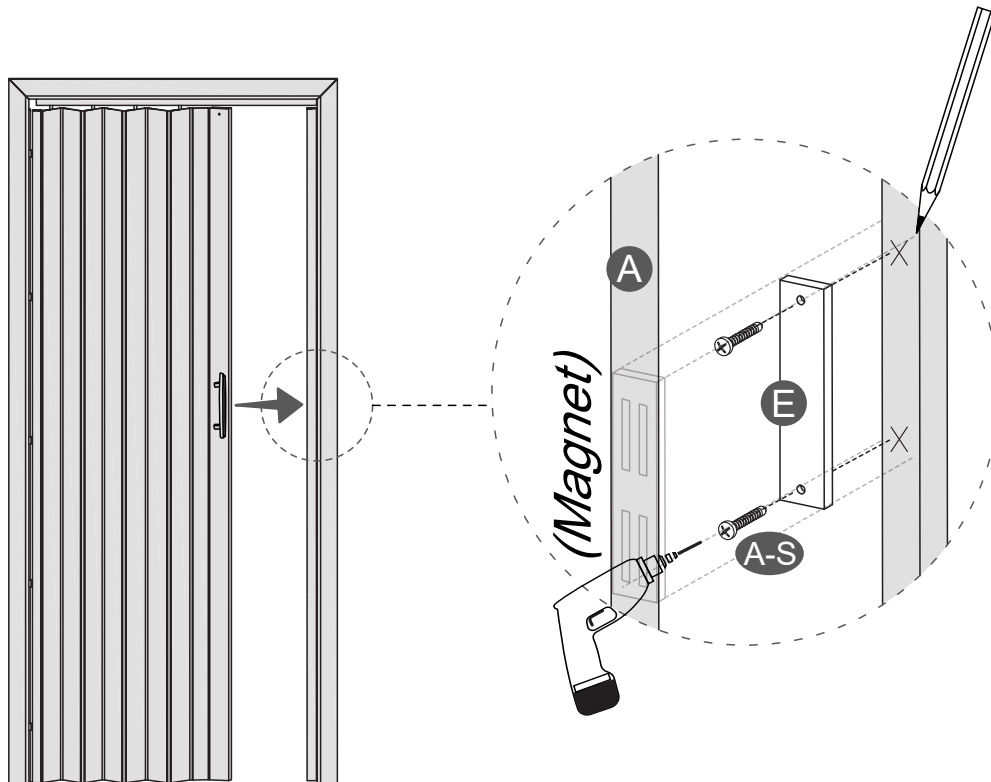
## INSTALLATION INSTRUCTIONS

## STEP 4

FIRST: fasten the end track of piece A to the fasteners I.



FINALLY: Attach the metal plate E to the door frame with screws A-S at the same level as the magnet on the piece A.



**ALL DONE!**

Give yourself a nice pat on the back, you did a great job!

**WARNINGS, CARE AND MAINTENANCE**

To avoid the risk of suffocation to children and pets, dispose of the plastic bags immediately after the installation is done.



Use a soft bristled brush to dust.



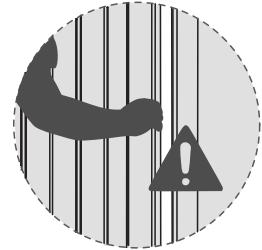
Clean with a lightly dampened cloth in a solution of mild soap and water.



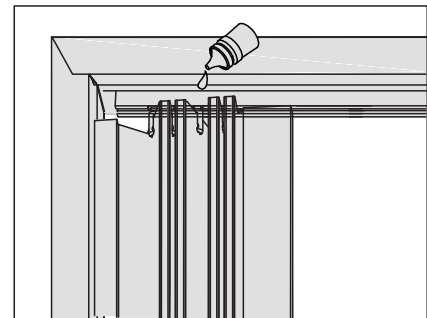
Do not use solvents or abrasive materials.



Be mindful of small children to avoid their fingers getting caught in the door.



Do not force the door to open or close if it feels stuck or hard to open/close. Instead, apply a little of lubricant to the glides on the top track and open and close gently for the lubricant to spread evenly.



**LIMITED WARRANTY**

For details on the Warranty Policy, please visit online: [www.technihome.com](http://www.technihome.com)  
Or contact us by email: [warranty@rtaproducts.com](mailto:warranty@rtaproducts.com)