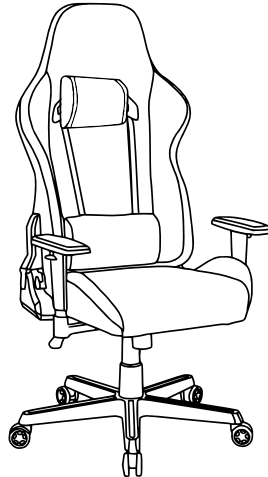


ASSEMBLY INSTRUCTIONS

REV.7-WT-8836-0425

For the following models:

SERIES	MODELS
Echo	TSF44
Kawaii / Pastel	TS42
	TS86
	TSF45C
GG	TS51
ProGamer2	TS43
	TS90
	TS92
Cow Print	TS85
Gamer XL	TSXL3



NOTE: The illustrations are a general representation of our gaming chairs. The styles, materials, colors and features vary by series and models.

HARDWARE LIST			
L	x4	M8x20	
M	x12	M8x25	
N	x2	M5x12	
O	x16	Ø12, Ø9 O-Ring	
P	x16	Ø17, Ø9 Metal washer	
Q	x4	Ø25, Ø9 Felt washer	
R	x4	Ø14, Ø11 Caps	
	x1	M5 Allen key	

MAIN PARTS LIST				
A Backrest 	B Seat * PLEASE READ NOTE BELOW	C Star base 	D Mechanism 	E Lift cylinder
F Casters x5	G-L Left armrest (Front)	G-R Right armrest (Front)	H Covers for lift cylinder x1 Set	
I-L Left cover 	I-R Right cover 	J-L Lumbar pillow TS42: Heart shaped and no straps. TSF45C & TS85: No straps.	J-N Neck pillow TSF45C: Has the neck pillow built-in.	
* The left metal bracket on the seat is loose, while the right is stiff and can only move until the chair is assembled.				

For Support, Assembly Questions & Replacement Parts within the 48 Contiguous United States:

Please email us at:

support@technisportusa.com



Replacement Parts for International Customers & **AK-HI-PR** orders:

RTA Products will replace the part free of charge, while **the customer is responsible for shipping costs plus any International local taxes or duties.**



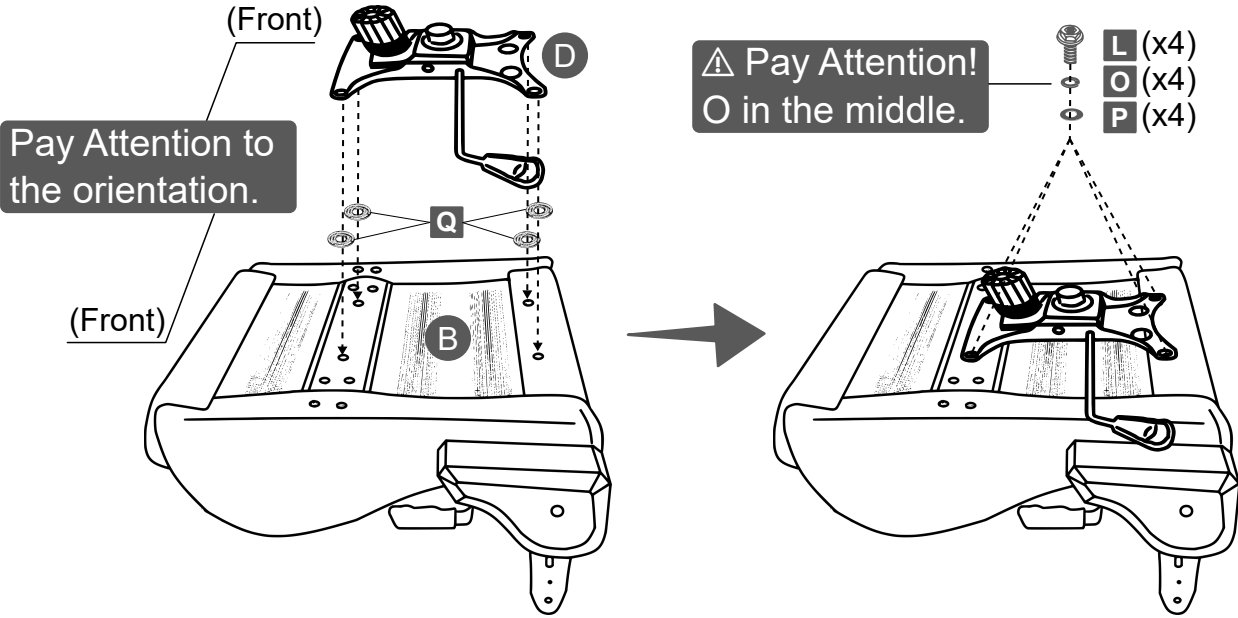
technisportusa.com



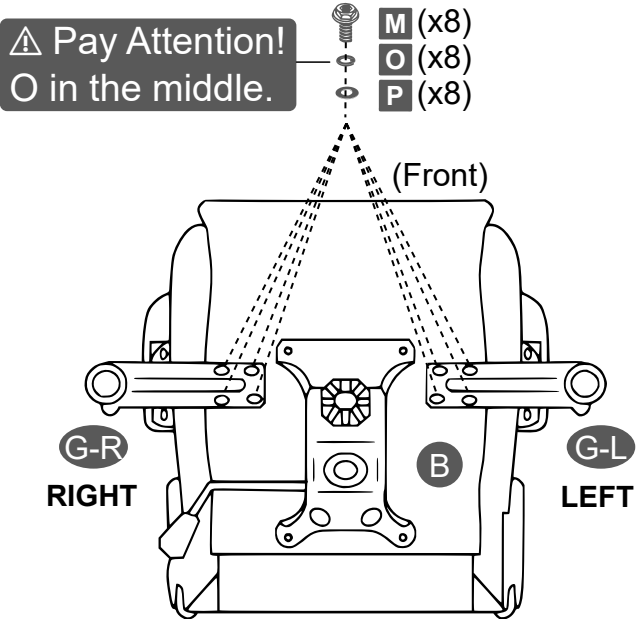
support@technisportusa.com

ASSEMBLY STEPS

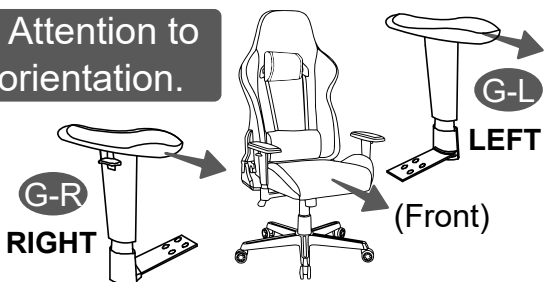
STEP 1 Assemble D to B with L, O and P.



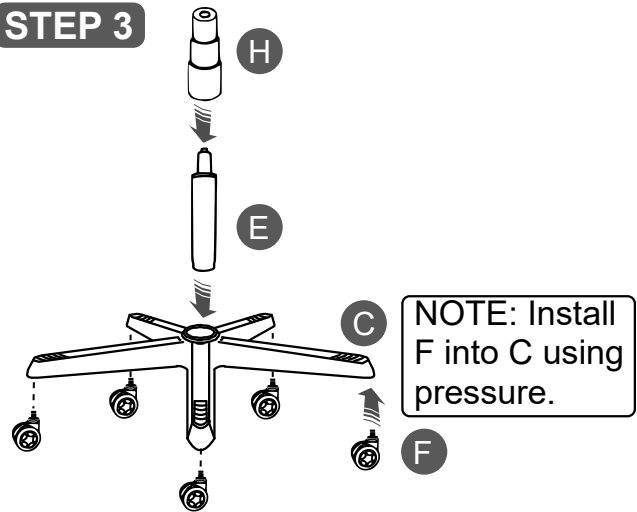
STEP 2 Assemble G-L and G-R to B with M, O and P.



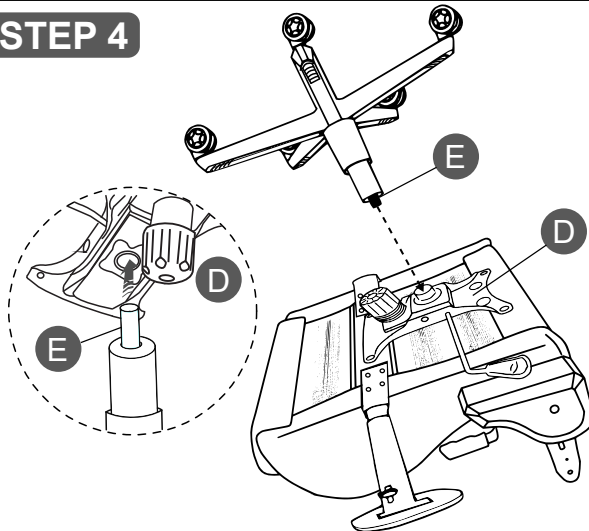
Pay Attention to the orientation.



STEP 3

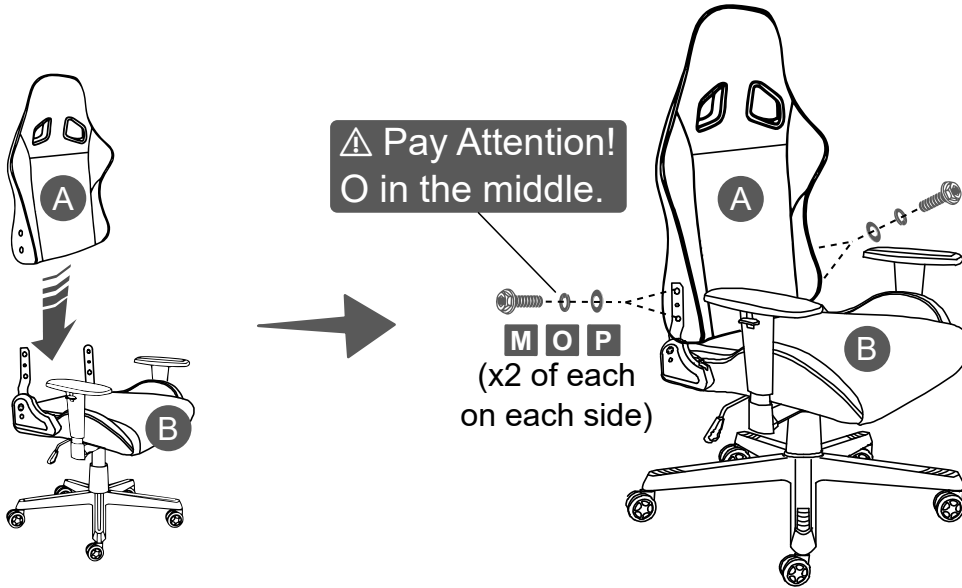


STEP 4



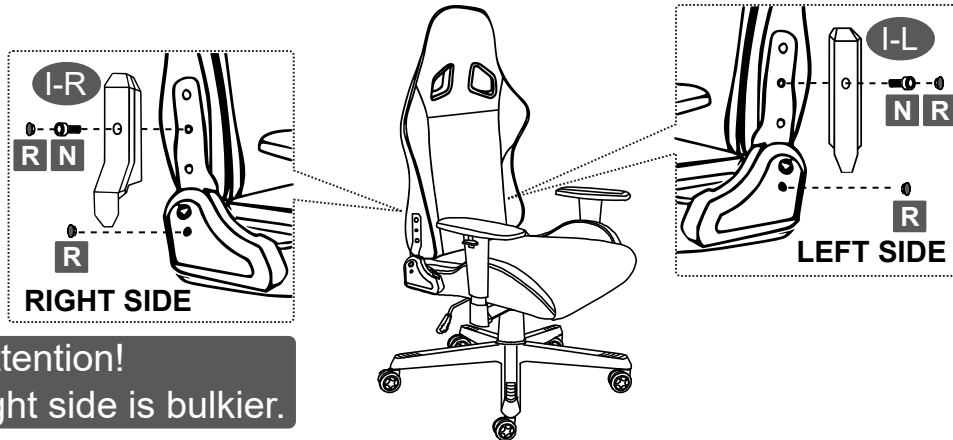
ASSEMBLY STEPS

STEP 5



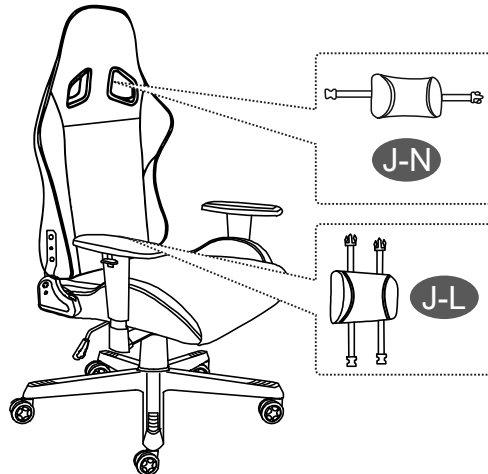
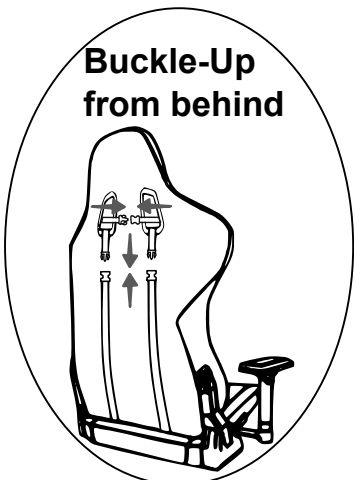
STEP 6

FIRST: Attach I-L, I-R to B with N.
THEN: Cover the holes with R.



STEP 7

Buckle-Up from behind



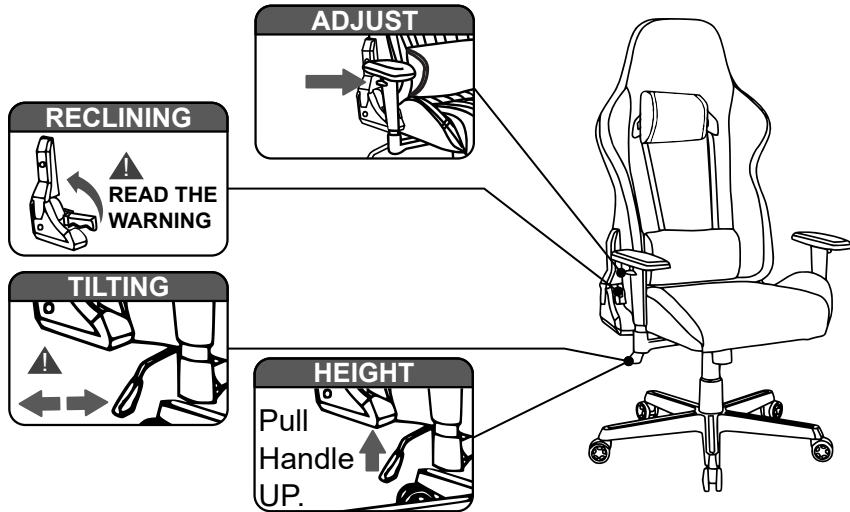
⚠ Pay Attention! TSF45C: Has the neck pillow built-in.

⚠ Pay Attention! TS42: Heart shaped and no straps.
TSF45 & TS85: No straps.

CHAIR'S FUNCTIONS

⚠ WARNING! For your safety, the tilting function should be **LOCKED (IN)** prior to reclining the backrest.

Handle **OUT**:
Unlocked;
Handle **IN**:
Locked.



WARNINGS - Not paying attention to the following warnings could result in injuries.

<p>Weight Limits</p> <p>250 Lbs: TS43, TSF44, TS90, TS92</p> <p>300 Lbs: TS42, TS51, TS85, TS86, TSF45</p> <p>350 Lbs: TSXL3</p>	<p>Only one person at a time and refrain from sitting on the edge of the seat to prevent the chair from tipping over.</p>	<p>Do not stand on the chair or use it as a ladder.</p>
<p>Do not use the chair if the frame parts are damaged, or if any of the screws are loose or missing.</p>	<p>Do not leave babies or toddlers unattended while seated on the chair, always ensure adult supervision. Keep children from playing with the chair for their safety.</p>	

CARE AND MAINTENANCE

<p>Clean with a soft cloth lightly dampened in a solution of smooth soap and water.</p>	<p>Do not use solvents or abrasive materials.</p>	<p>Do not expose to direct sunlight or to extreme environmental conditions.</p>	<p>Inspect the chair thoroughly every 4 months and re-tighten the screws.</p>
---	---	---	---

LIMITED WARRANTY

For details on the Warranty Policy, please visit online: www.technimobili.com
Or contact us by email: warranty@rtaproducts.com