

# MODEL RTA-TSF47C

## ASSEMBLY INSTRUCTIONS

REV.1-WT-8836-0525

Hardware								
No.	Item	Qty.	No.	Item	Qty.	No.	Item	Qty.
M	M8x20	4 Pcs	P	Ø12,Ø9	16 Pcs	S	Ø14,Ø11	4 Pcs
N	M8x25	12 Pcs	Q	Ø17,Ø9	16 Pcs	T	M6x16	4 Pcs
O	M5x12	2 Pcs	R	Ø25,Ø9	4 Pcs	U	Rubber ring	2 Pcs

Included tools		
1	M5 Allen Key	M5

Thank you for purchasing our product!

MAIN PARTS LIST				
<b>A</b> Backrest 	<b>B</b> Seat  <b>* Read below about the metal brackets</b>	<b>C</b> Nylon star base 	<b>D</b> Mechanism 	<b>E</b> Lift cylinder 
<b>F</b> Casters x5 	<b>G-L</b> Left armrest  (Front)	<b>G-R</b> Right armrest  (Front)	<b>H</b> Covers for lift cylinder x1 Set 	<b>I-L</b> Left cover 
<b>I-R</b> Right cover 	<b>J</b> Lumbar pillow  <b>Strapless</b>	<b>K</b> Footrest 	<b>L</b> Support for Footrest x2 	

\* The left metal bracket on the seat is loose, while the right is stiff and can only move once the chair is assembled.



**For Support, Assembly Questions & Replacement Parts Within the 48 Contiguous United States:**

Please email us at: [support@technisportusa.com](mailto:support@technisportusa.com)



Replacement Parts for International Customers & **AK-HI-PR** orders:  
RTA Products will replace the part free of charge, while **the customer is responsible for shipping costs plus any International local taxes or duties.**



[technisportusa.com](http://technisportusa.com)



[support@technisportusa.com](mailto:support@technisportusa.com)

## ASSEMBLY STEPS

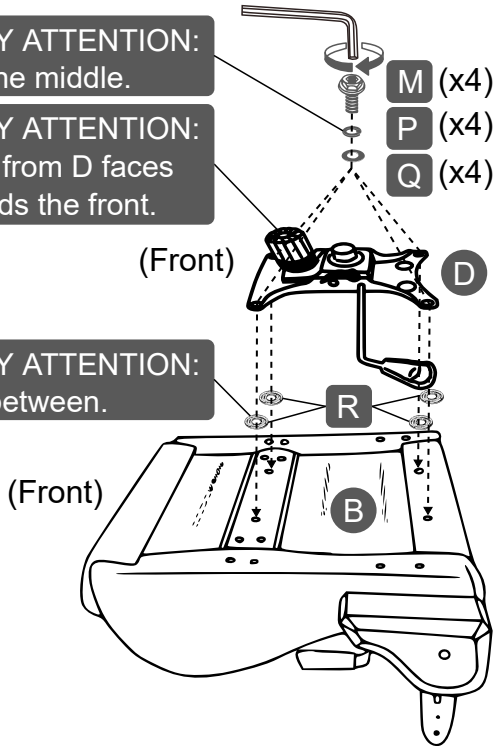
### STEP 1

Attach D to B with R (felt washers) in between, and secure with M, P and Q.

⚠ PAY ATTENTION:  
P in the middle.

⚠ PAY ATTENTION:  
Knob from D faces  
towards the front.

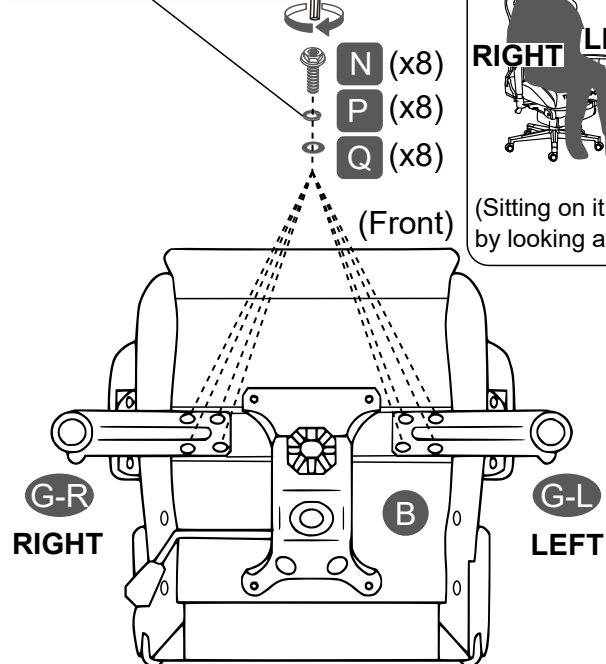
⚠ PAY ATTENTION:  
R in between.



### STEP 2

Attach G-R and G-L to B in their respective sides with N, P and Q.

⚠ PAY ATTENTION:  
P in the middle.



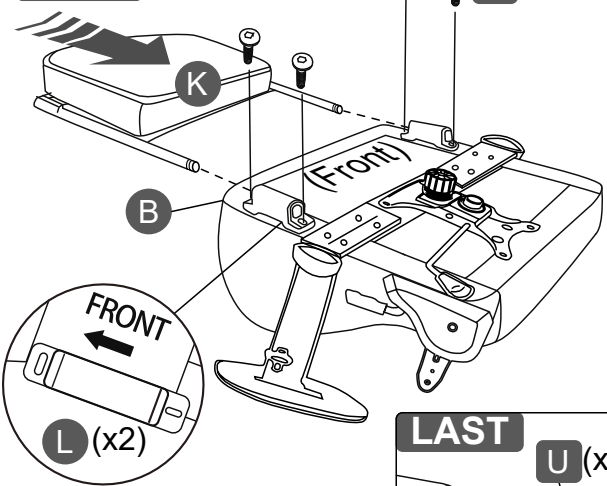
### STEP 3

FIRST: Attach L to B with T.  
THEN: Insert the tubes from K through L.  
LAST: Secure K with U.

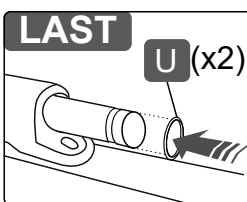
THEN

FIRST

T (x4)

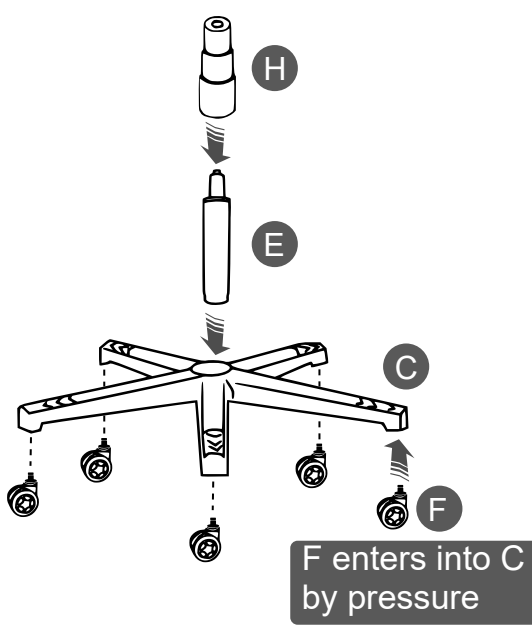


⚠ PAY ATTENTION  
TO THE ORIENTATION!



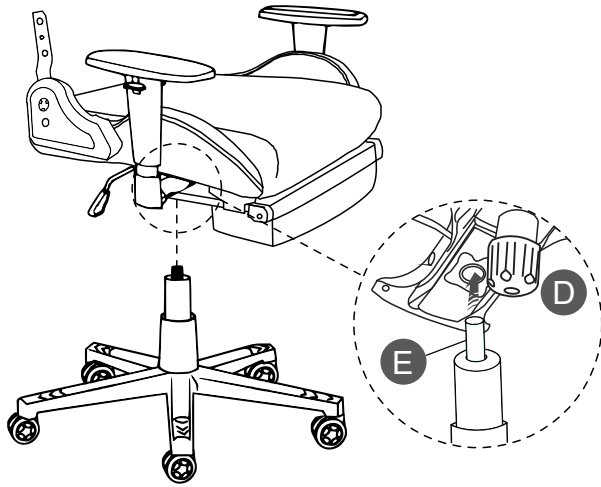
### STEP 4

- Attach F to the legs of C using pressure.
- Place E in the middle of C.
- Cover E with H.

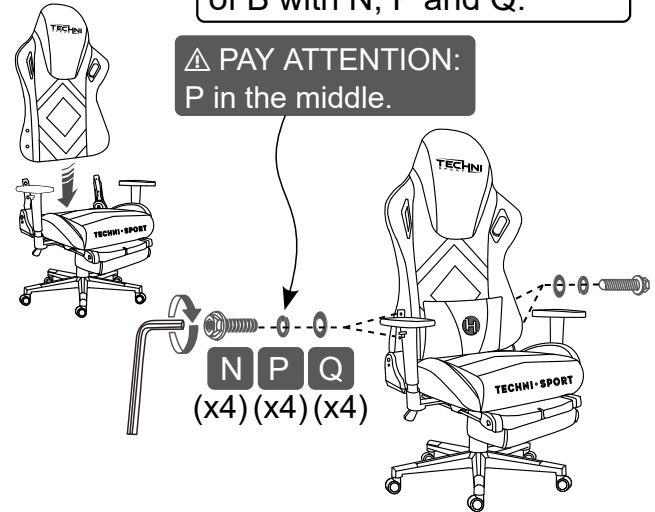


## ASSEMBLY STEPS

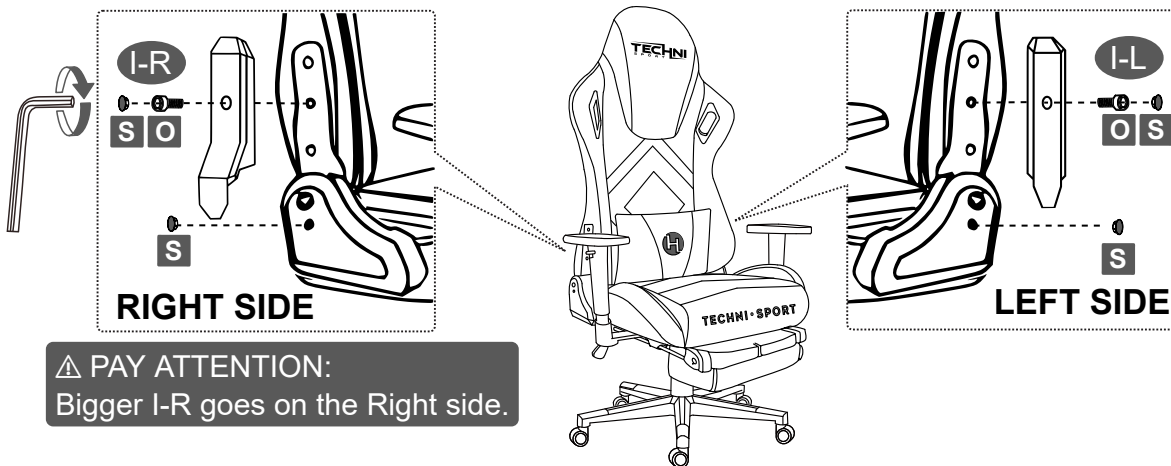
### STEP 5 Join the seat with the base.



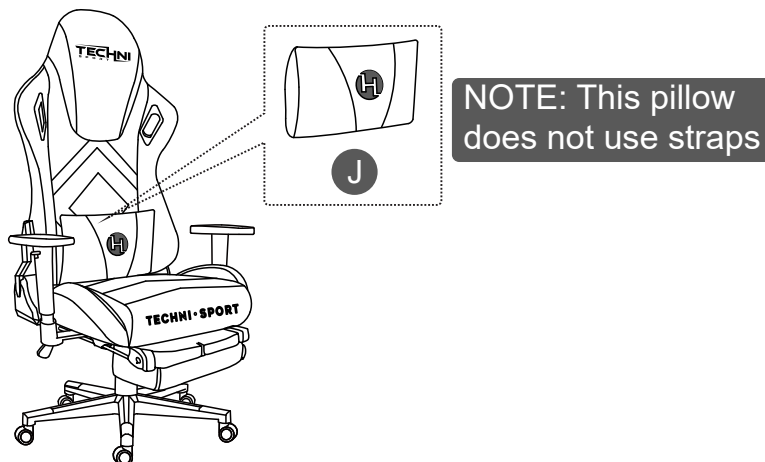
### STEP 6 Assemble A to the brackets of B with N, P and Q.



### STEP 7 Attach the covers I-L, I-R to the brackets of B in their respective sides with O, and cover the holes with S.



### STEP 8 FINALLY, Place J against the backrest.



## CHAIR'S FUNCTIONS

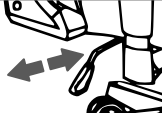
### RECLINING \* Read warnings below

Pull Handle UP and release once the desired angle has been reached.



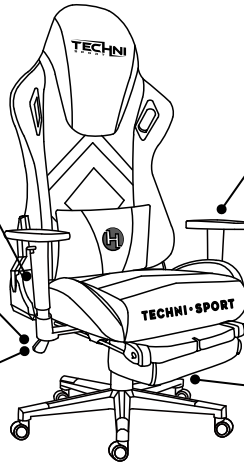
### TILTING \*\*

Pull Handle OUT to UNLOCK; Push Handle IN to LOCK.



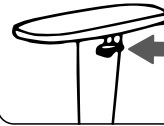
### HEIGHT

Pull Handle UP.



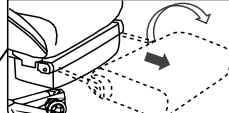
### ARMRESTS

Press button and lift or lower the armrests.



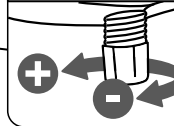
### FOOTREST \*Read warnings below

Pull out and flip over.



### TILT TENSION \*\*

Clockwise = (+);  
Counter-Clockwise: (-)

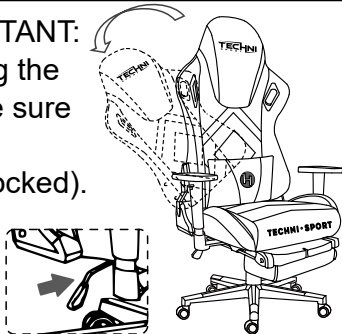


\*\* : Unlike regular office chairs, gaming chairs offer more resistance to tilting, even with the tension to the minimum (-). This is normal and should not be considered a manufacturing defect. Please contact us if you have questions.

## WARNINGS - Not paying attention to the following warnings could result in injuries.

### \*VERY IMPORTANT:

Before reclining the backrest, make sure the tilt lever is PUSHED IN (locked).

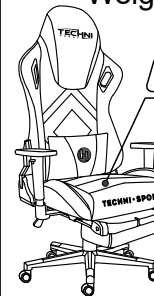


\*Never attempt to stand up while the footrest is out; close it first.



### Weight Limit

300 Lbs  
(136 Kg)



Do not stand on the chair or use it as a ladder.



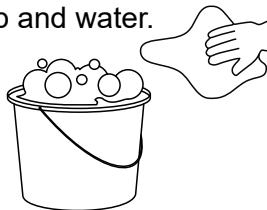
Only one person at a time and refrain from sitting on the edge of the seat to prevent the chair from tipping over.



Do not leave babies or toddlers unattended while seated on the chair, always ensure adult supervision. Keep children from playing with the chair for their safety.

## CARE AND MAINTENANCE

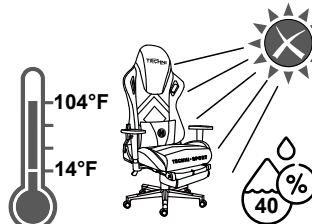
Clean with a soft cloth lightly dampened in a solution of smooth soap and water.



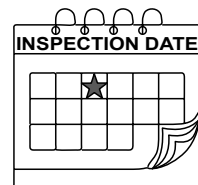
Do not use solvents or abrasive materials.



Do not expose to direct sunlight or to extreme environmental conditions.



Inspect the chair thoroughly every 4 months and re-tighten the screws.



## LIMITED WARRANTY



For details, please visit our website:  
[Technimobili.com](http://Technimobili.com)

To file a claim or request information, please email to:  
[warranty@rtaproducts.com](mailto:warranty@rtaproducts.com)

