












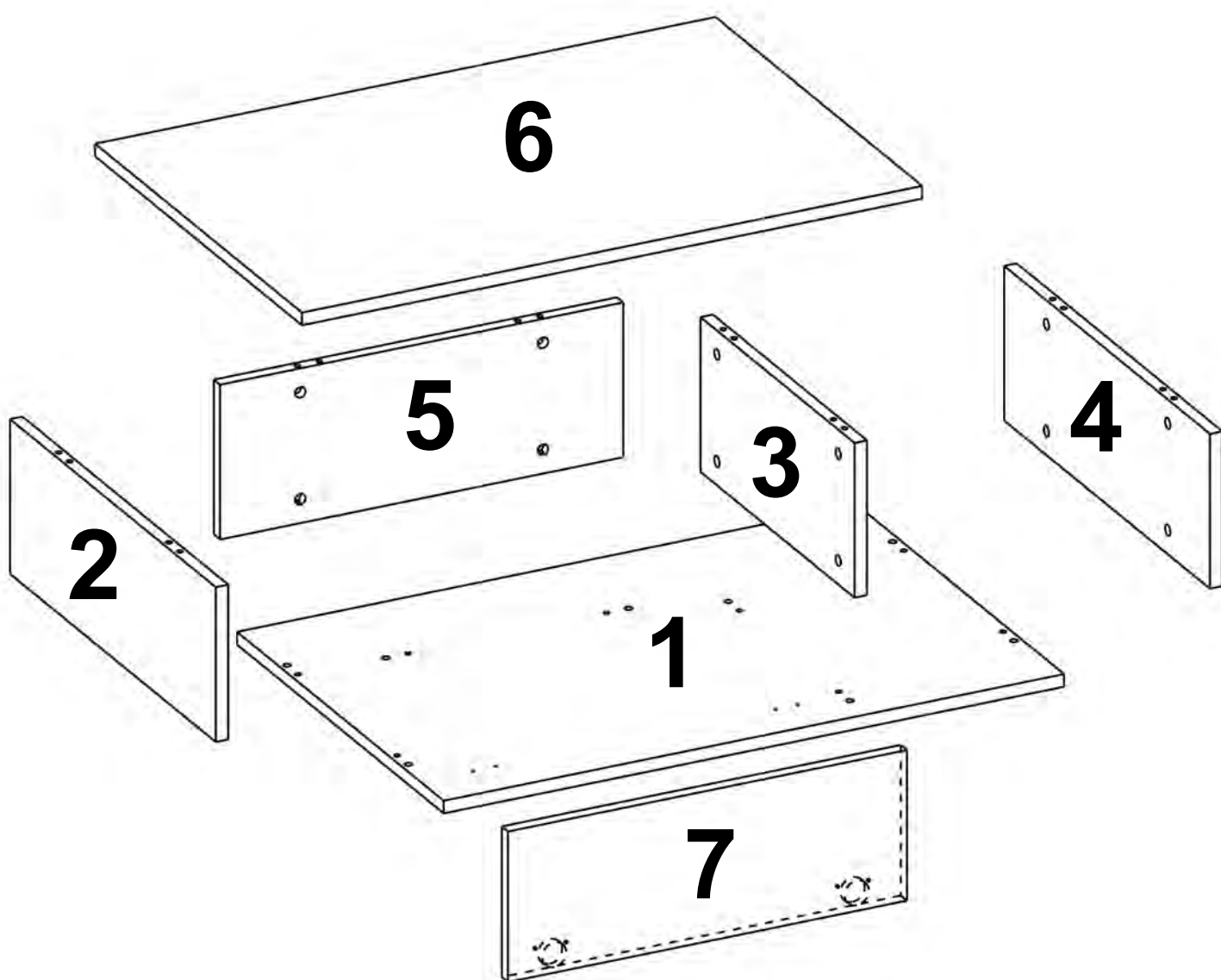


# CA3



	B0501 x16		B0502 x16		B0503 x16		B0504 x16		B0301 x8
	B1702 x4		D0805 x2		B0103 x2		B0105 x2		B0307 x1
	B0202 x1		B0324 x6		B0509 x1				





B0502

B0503

B0504

B0501

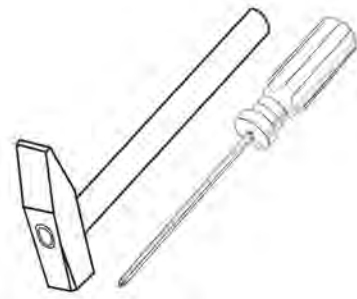


x16

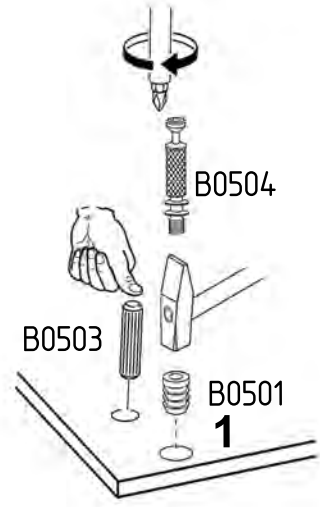
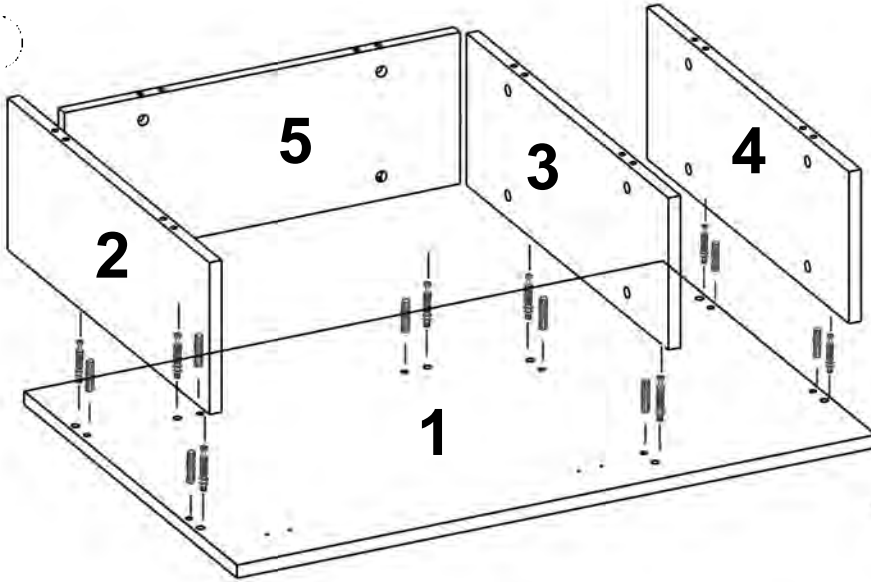
x16

x16

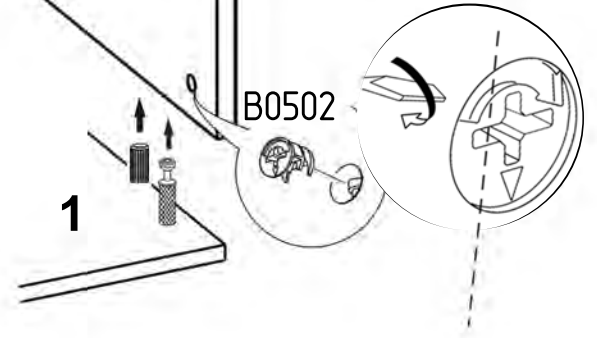
x16



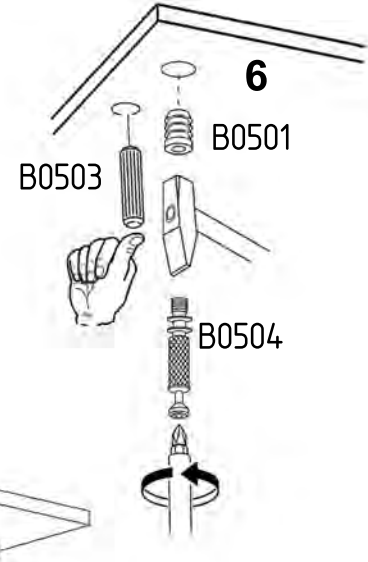
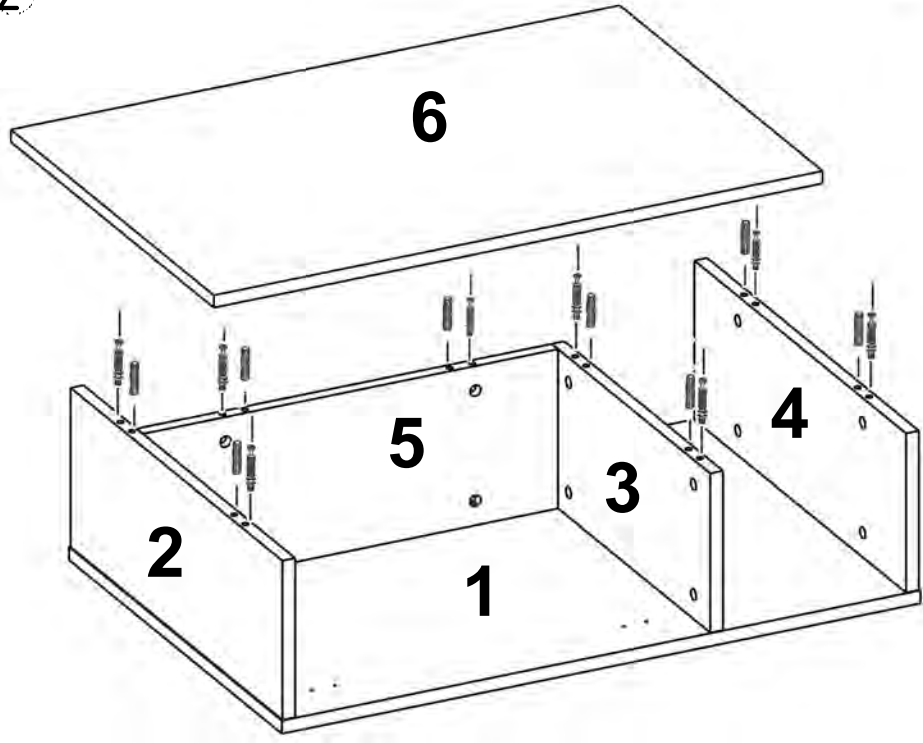
1



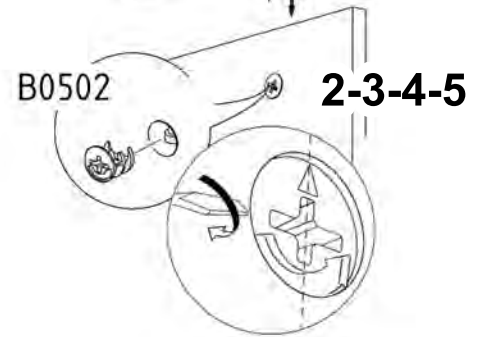
2-3-4-5



2



6



2



B0301  
x8

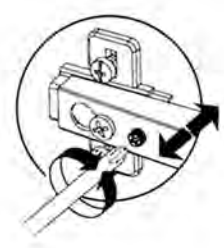
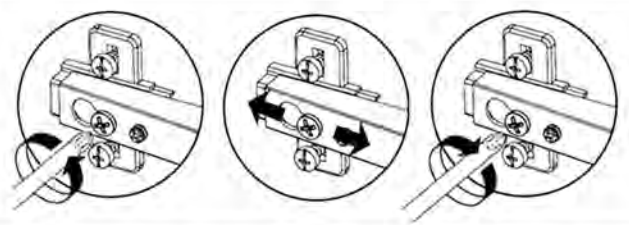
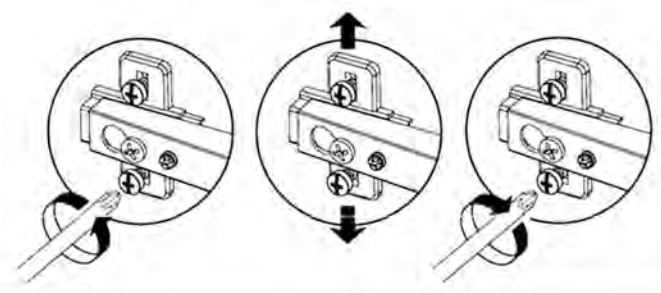
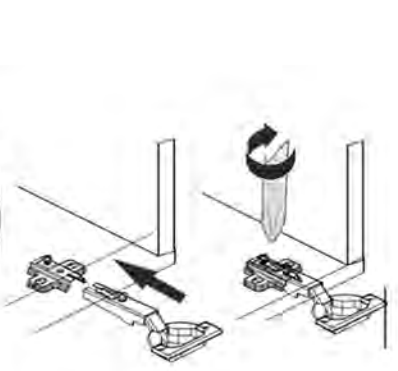
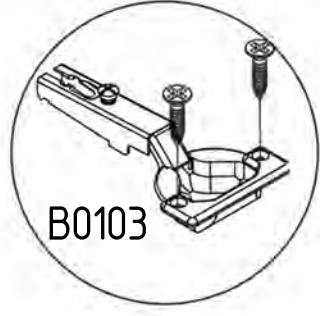
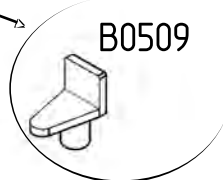
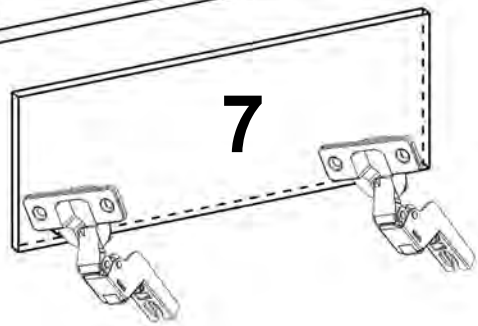
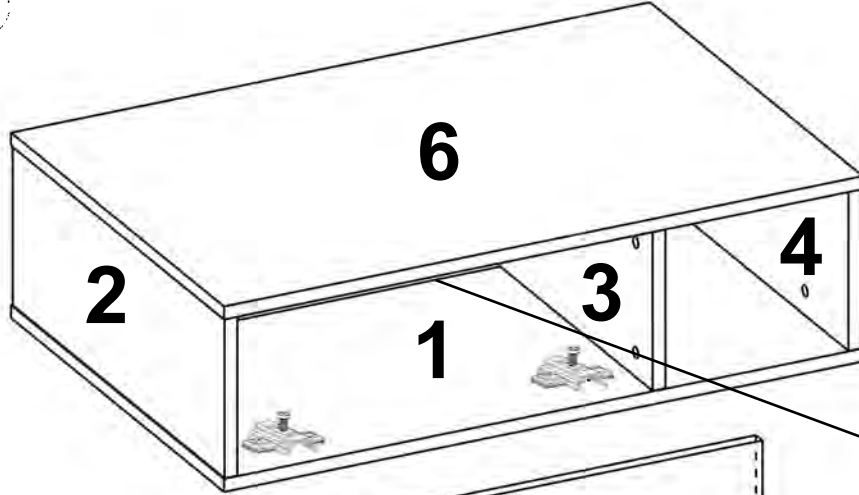
B0103  
x2

B0105  
x2

B0509  
x1



3



3



B0324

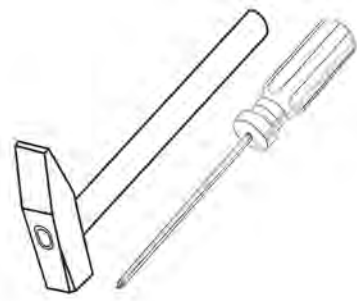


x6

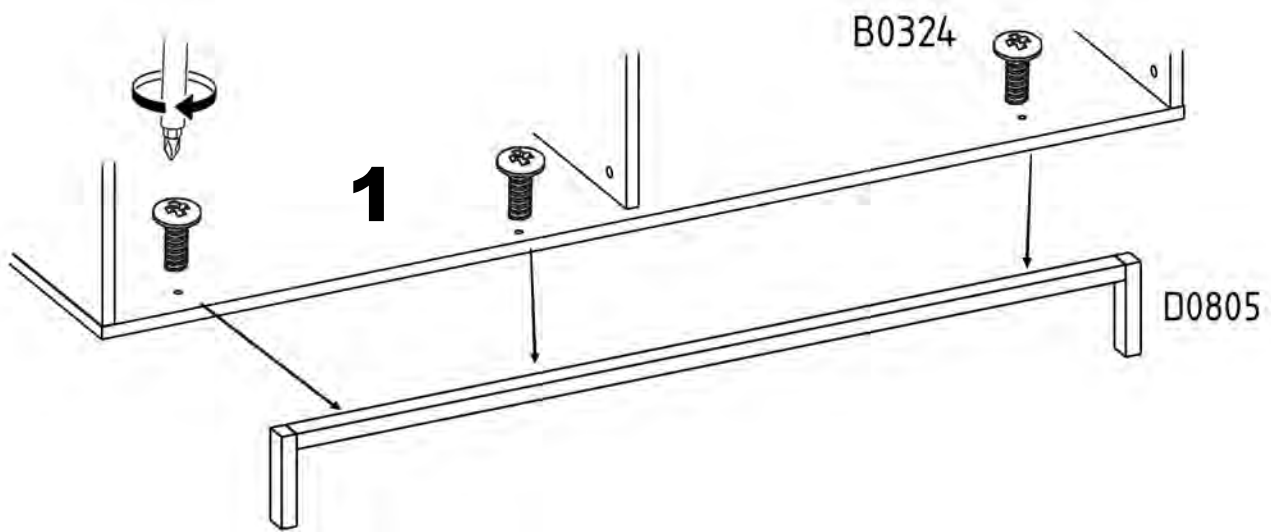
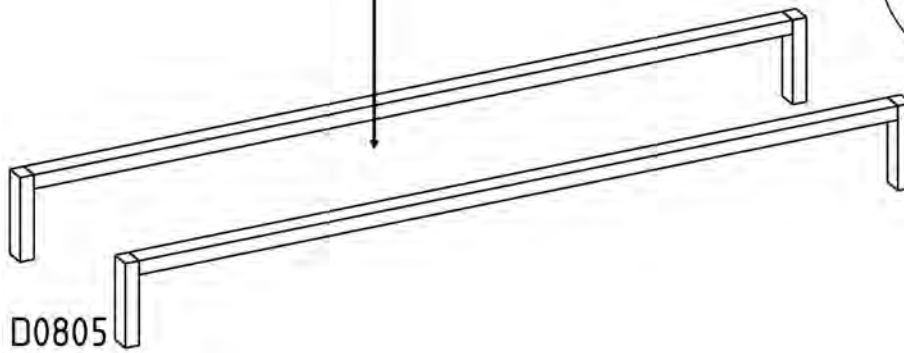
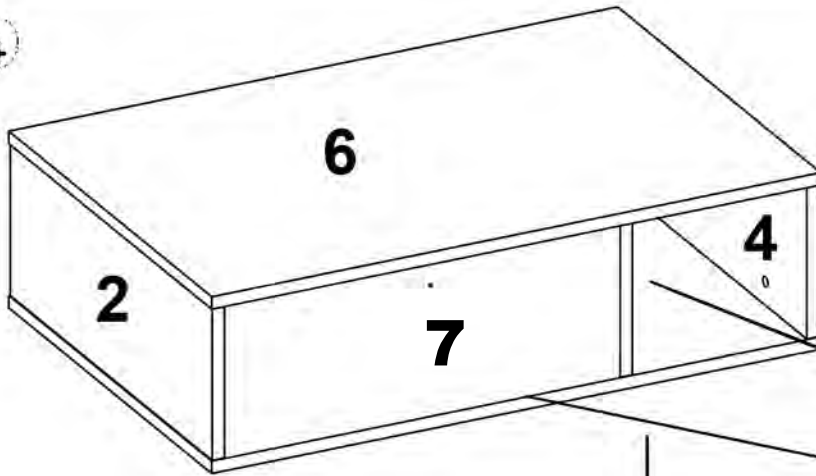
D0805



x2



4





B0307



x2

B1702

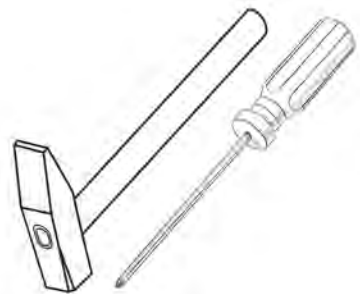


x4

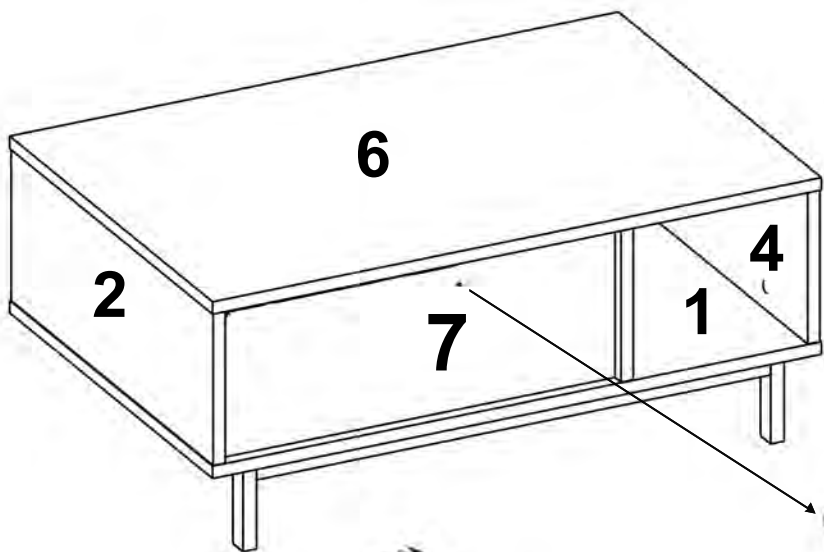
B0202



x1

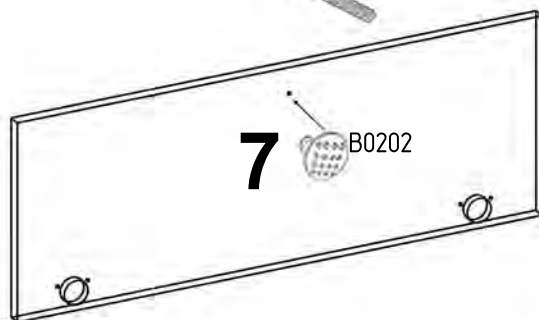


5



B0202

B0307



B0202

6



B1702