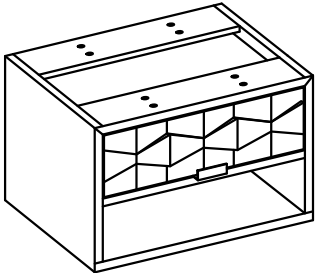
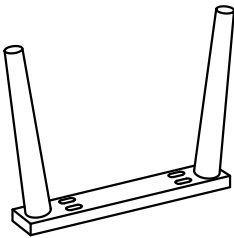


ASSEMBLY INSTRUCTION, CLR2002

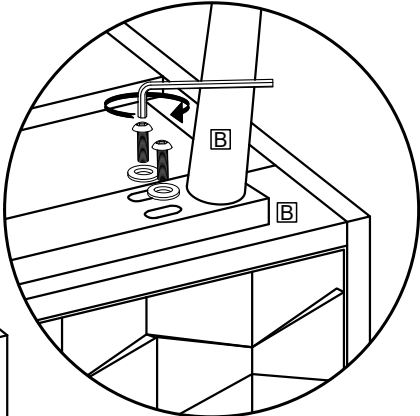
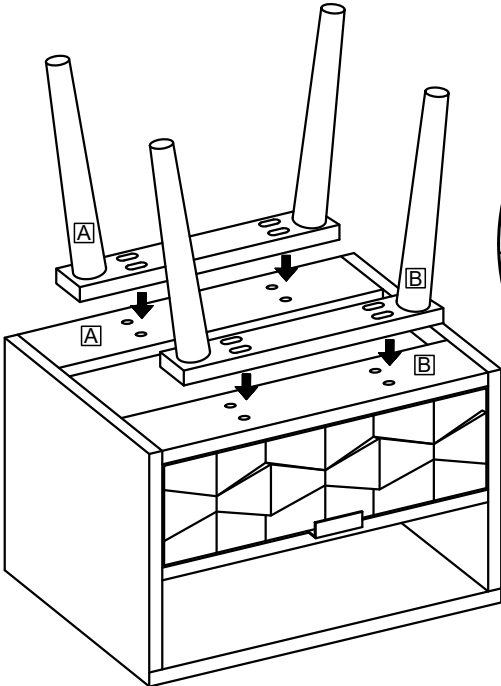


x 1



x 2

①



X8

②

