

The original **desktop**.

L-Shaped Desk

Palladia Collection | Model 417714

Need help? Visit Sauder.com to view video assembly tips or chat with a live rep.
Prefer the phone? Call 1-800-523-3987.

Share your journey!



NOTE: THIS INSTRUCTION BOOKLET CONTAINS **IMPORTANT** SAFETY INFORMATION.

PLEASE READ AND KEEP FOR FUTURE REFERENCE.

English pg 1-64
Français pg 65-72
Español pg 73-80

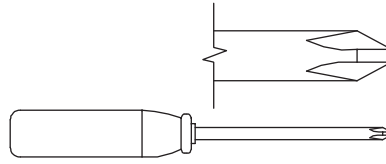
Lot # **511553** 12/15/17
Purchased: _____

Be sure to give us a ring before making any returns. 1-800-523-3987

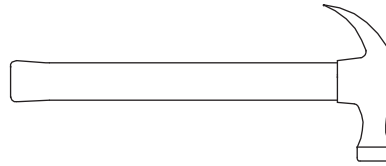
Table of Contents

Assembly Tools Required

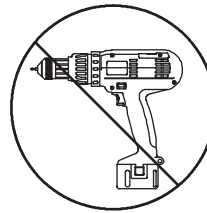
| | |
|-------------------------|-------|
| Part Identification | 2-4 |
| Hardware Identification | 5-6 |
| Assembly Steps | 7-64 |
| Français | 65-72 |
| Español | 73-80 |
| Safety | 81-82 |
| Warranty | 83 |



No. 2 Phillips Screwdriver
Tip Shown Actual Size



Hammer
Not actual size 😊

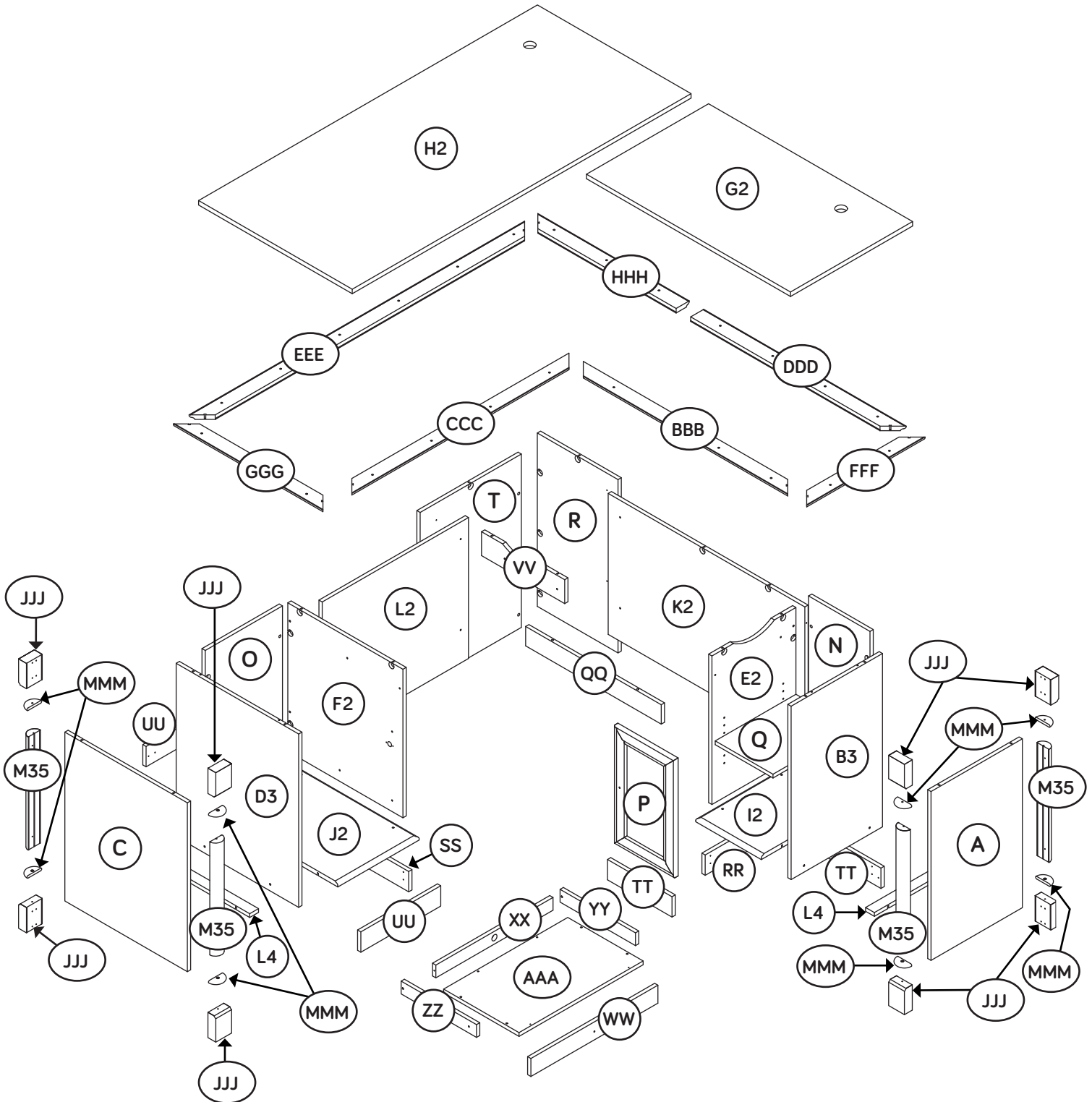
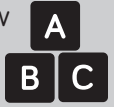


Skip the power trip.
This time.

Part Identification

† While not all parts are labeled, some of the parts will have a label or an inked letter on the edge to help distinguish similar parts from each other. Use this part identification to help identify similar parts.

| | | | | | |
|-----|-------------------------|----|----------------------|-----|-----------------------------|
| A | OUTER RIGHT END (1) | N | RIGHT BACK (1) | YY | RIGHT KEYBOARD SIDE (1) |
| B3 | INNER RIGHT END (1) | O | LEFT BACK (1) | ZZ | LEFT KEYBOARD SIDE (1) |
| C | OUTER LEFT END (1) | P | DOOR (1) | AAA | KEYBOARD SHELF (1) |
| D3 | INNER LEFT END (1) | Q | ADJUSTABLE SHELF (1) | BBB | TOP RIGHT FRONT MOLDING (1) |
| E2 | RIGHT UPRIGHT (1) | R | RIGHT LEG (1) | CCC | TOP LEFT FRONT MOLDING (1) |
| F2 | LEFT UPRIGHT (1) | T | LEFT LEG (1) | DDD | REAR TOP MOLDING (1) |
| G2 | RIGHT TOP (1) | QQ | FRONT PANEL (1) | EEE | TOP LEFT REAR MOLDING (1) |
| H2 | LEFT TOP (1) | RR | RIGHT SIDE SKIRT (1) | FFF | TOP RIGHT SIDE MOLDING (1) |
| I2 | RIGHT BOTTOM (1) | SS | LEFT SIDE SKIRT (1) | GGG | TOP LEFT SIDE MOLDING (1) |
| J2 | LEFT BOTTOM (1) | TT | RIGHT BACK SKIRT (2) | HHH | TOP RIGHT REAR MOLDING (1) |
| K2 | RIGHT MODESTY PANEL (1) | UU | LEFT BACK SKIRT (2) | JJJ | PLINTH (8) |
| L2 | LEFT MODESTY PANEL (1) | VV | KEYBOARD UPRIGHT (1) | MMM | HALF DISK (8) |
| L4 | SPACER (2) | WW | KEYBOARD FRONT (1) | | |
| M35 | END MOLDING (4) | XX | KEYBOARD BACK (1) | | |



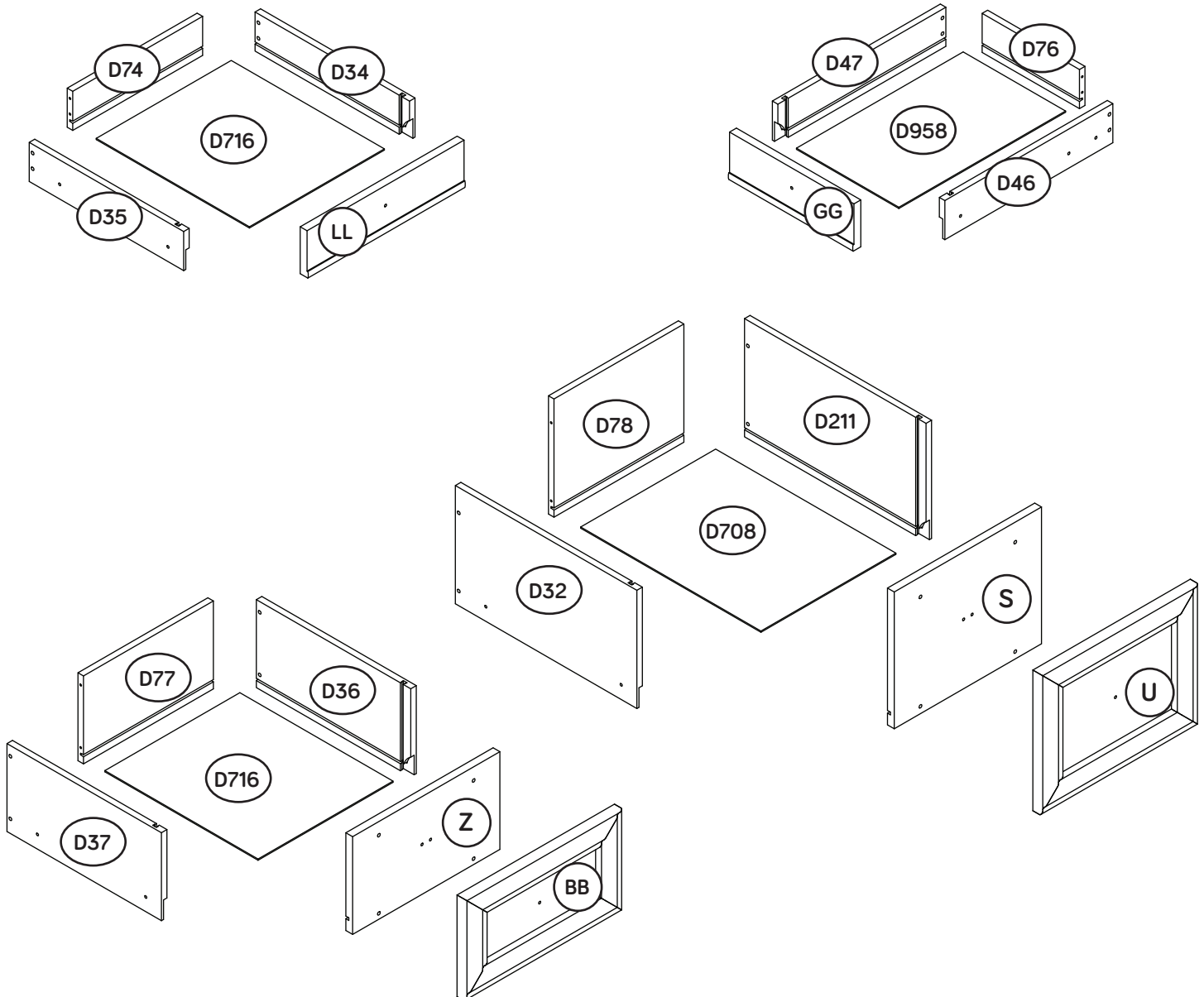
Part Identification

Now you know
our ABCs.



† While not all parts are labeled, some of the parts will have a label or an inked letter on the edge to help distinguish similar parts from each other. Use this part identification to help identify similar parts.

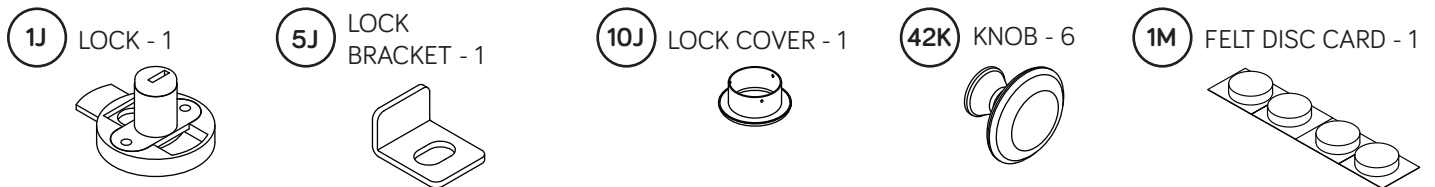
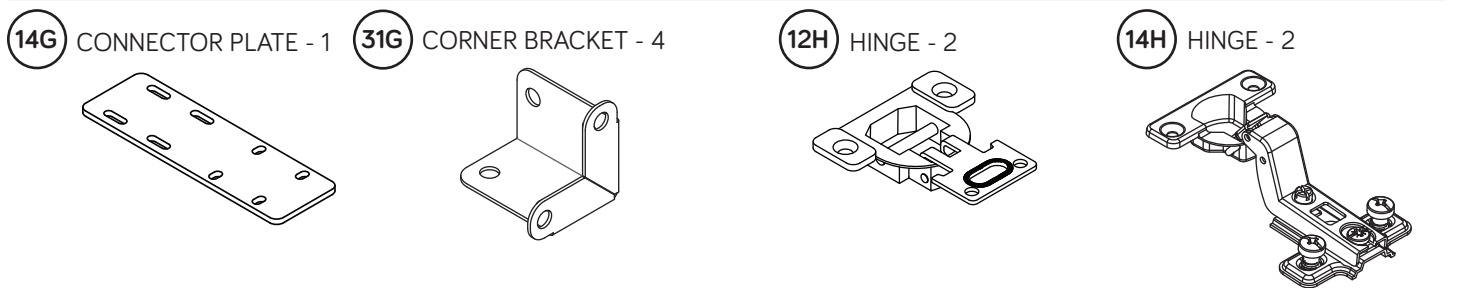
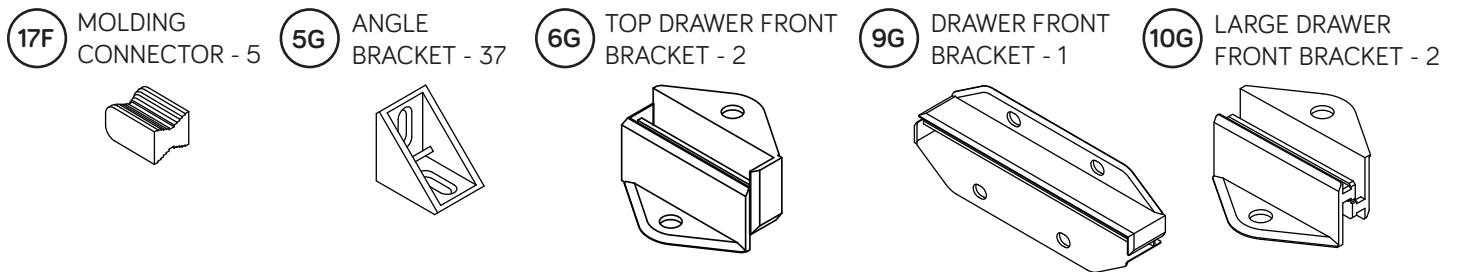
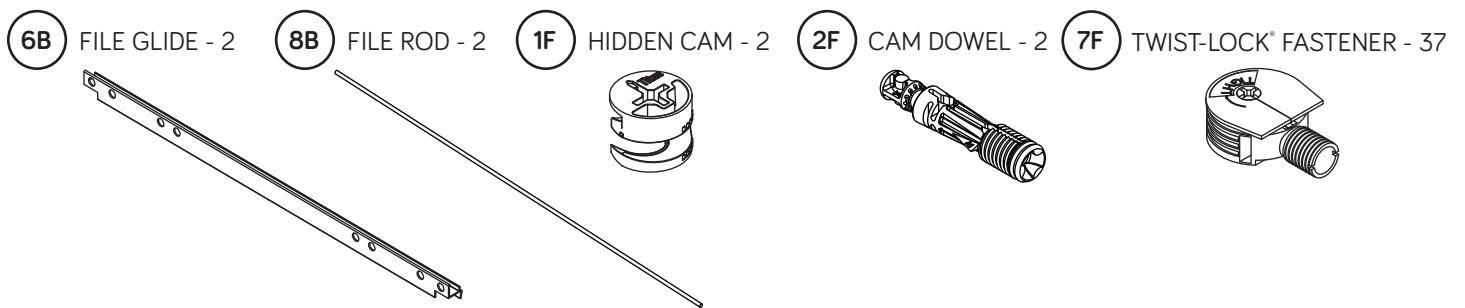
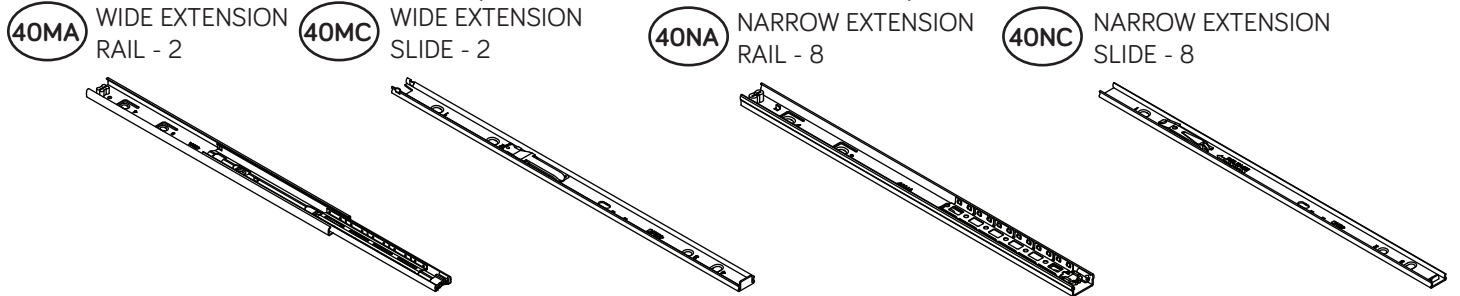
| | | | | | |
|------|----------------------------|-----|-----------------------------------|------|----------------------------------|
| S | FILE DRAWER BOX FRONT (1) | BB | DRAWER FRONT (1) | D47 | LEFT DRAWER SIDE (Top Right) (1) |
| U | FILE DRAWER FRONT (1) | D77 | DRAWER BACK (1) | D958 | TOP RIGHT DRAWER BOTTOM (1) |
| D78 | FILE DRAWER BACK (1) | D36 | RIGHT DRAWER SIDE (1) | LL | TOP LEFT DRAWER FRONT (1) |
| D211 | FILE DRAWER RIGHT SIDE (1) | D37 | LEFT DRAWER SIDE (1) | D74 | TOP LEFT DRAWER BACK (1) |
| D32 | FILE DRAWER LEFT SIDE (1) | GG | TOP RIGHT DRAWER FRONT (1) | D34 | RIGHT DRAWER SIDE (Top Left) (1) |
| D708 | FILE DRAWER BOTTOM (1) | D76 | TOP RIGHT DRAWER BACK (1) | D35 | LEFT DRAWER SIDE (Top Left) (1) |
| Z | DRAWER BOX FRONT (1) | D46 | RIGHT DRAWER SIDE (Top Right) (1) | D716 | DRAWER BOTTOM (2) |



Hardware Identification

† Screws are shown actual size. You may receive extra hardware with your unit.

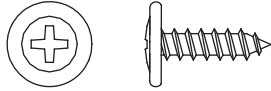
(EXTENSION SETS SHOWN SEPARATED)



Hardware Identification

† Screws are shown actual size. You may receive extra hardware with your unit.

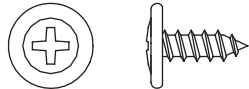
1S BLACK 9/16" LARGE HEAD SCREW - 118



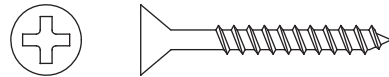
3S GOLD 5/16" FLAT HEAD SCREW - 34



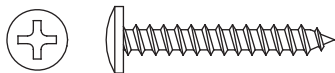
6S BROWN 7/16" LARGE HEAD SCREW - 1



7S BLACK 1-1/4" FLAT HEAD SCREW - 26



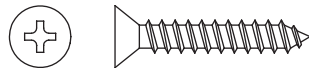
9S BLACK 1-1/8" PAN HEAD SCREW - 12



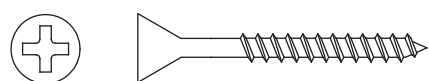
11S BLACK 1/2" FLAT HEAD SCREW - 4



12S BROWN 1" FLAT HEAD SCREW - 8



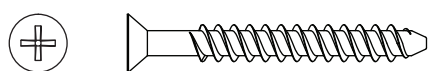
14S BROWN 1-1/2" FLAT HEAD SCREW - 6



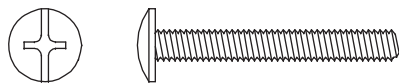
23S SILVER 5/8" FLAT HEAD SCREW - 4



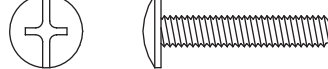
30S BLACK 1-9/16" FLAT HEAD SCREW - 16



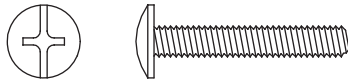
35S SILVER 1-1/4" MACHINE SCREW - 2



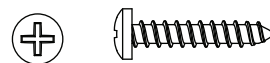
37S BLACK 7/8" MACHINE SCREW - 3



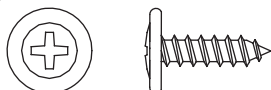
50S GOLD 1" MACHINE SCREW - 1



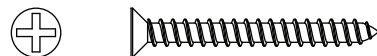
52S SILVER 3/4" PAN HEAD SCREW - 2



54S SILVER 9/16" LARGE HEAD SCREW - 2



74S SMALL BLACK 1-1/4" FLAT HEAD SCREW - 2



113S BLACK 1-15/16" FLAT HEAD SCREW - 12



Step 1

Look for this icon. It means a video assembly tip is available at www.sauder.com/services/tips



- Assemble your unit on a carpeted floor or on the empty carton to avoid scratching your unit or the floor.
- To begin assembly, fasten the KEYBOARD SIDES (YY and ZZ) to the KEYBOARD SHELF (AAA). Use four BROWN 1-1/2" FLAT HEAD SCREWS (14S).

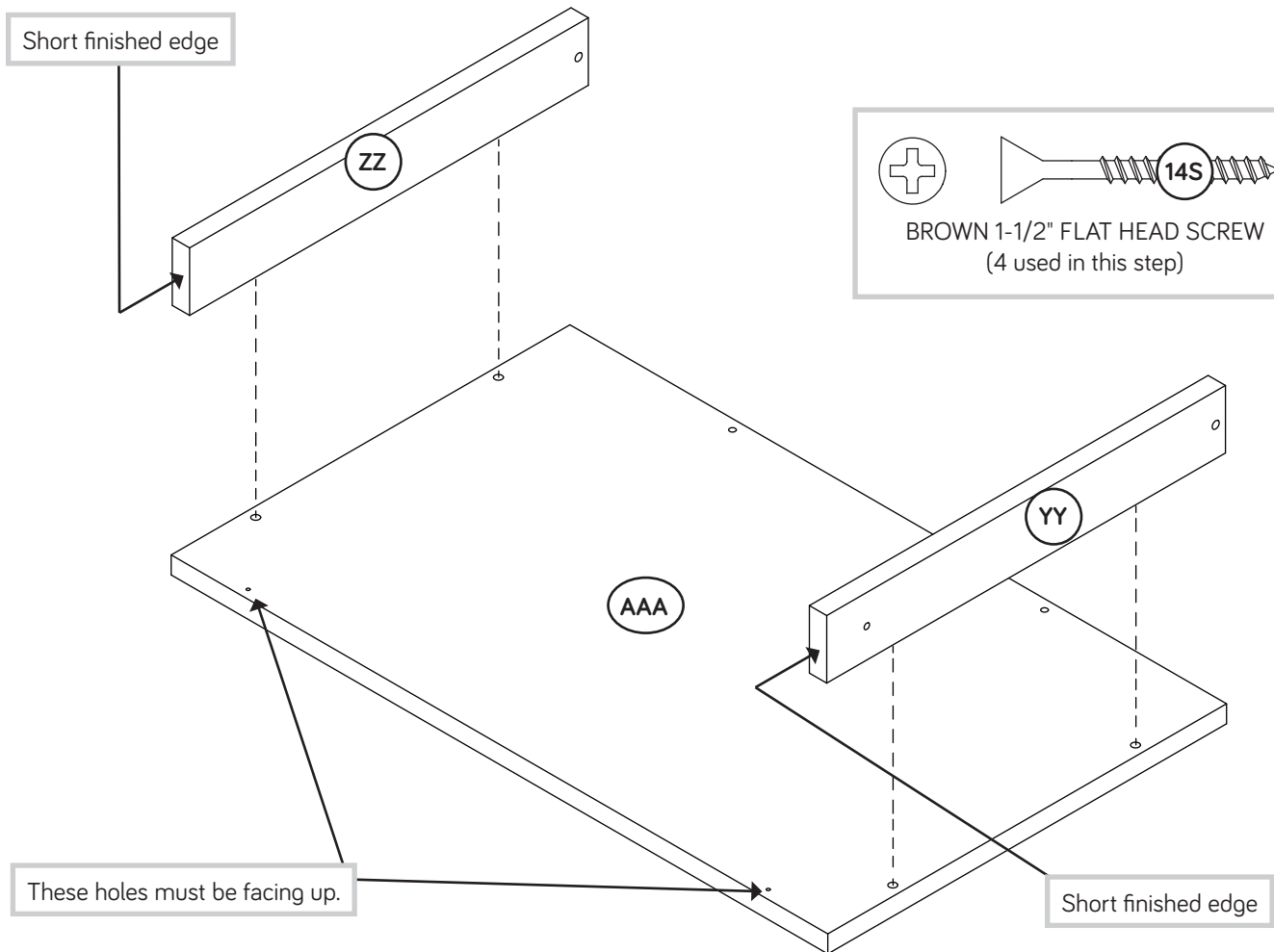
KEYBOARD DRAWER ON RIGHT VIDEO

Scan this QR code or go to this address: <http://qr.sauder.com/?ID=1967> to watch a video on how to assemble your unit.



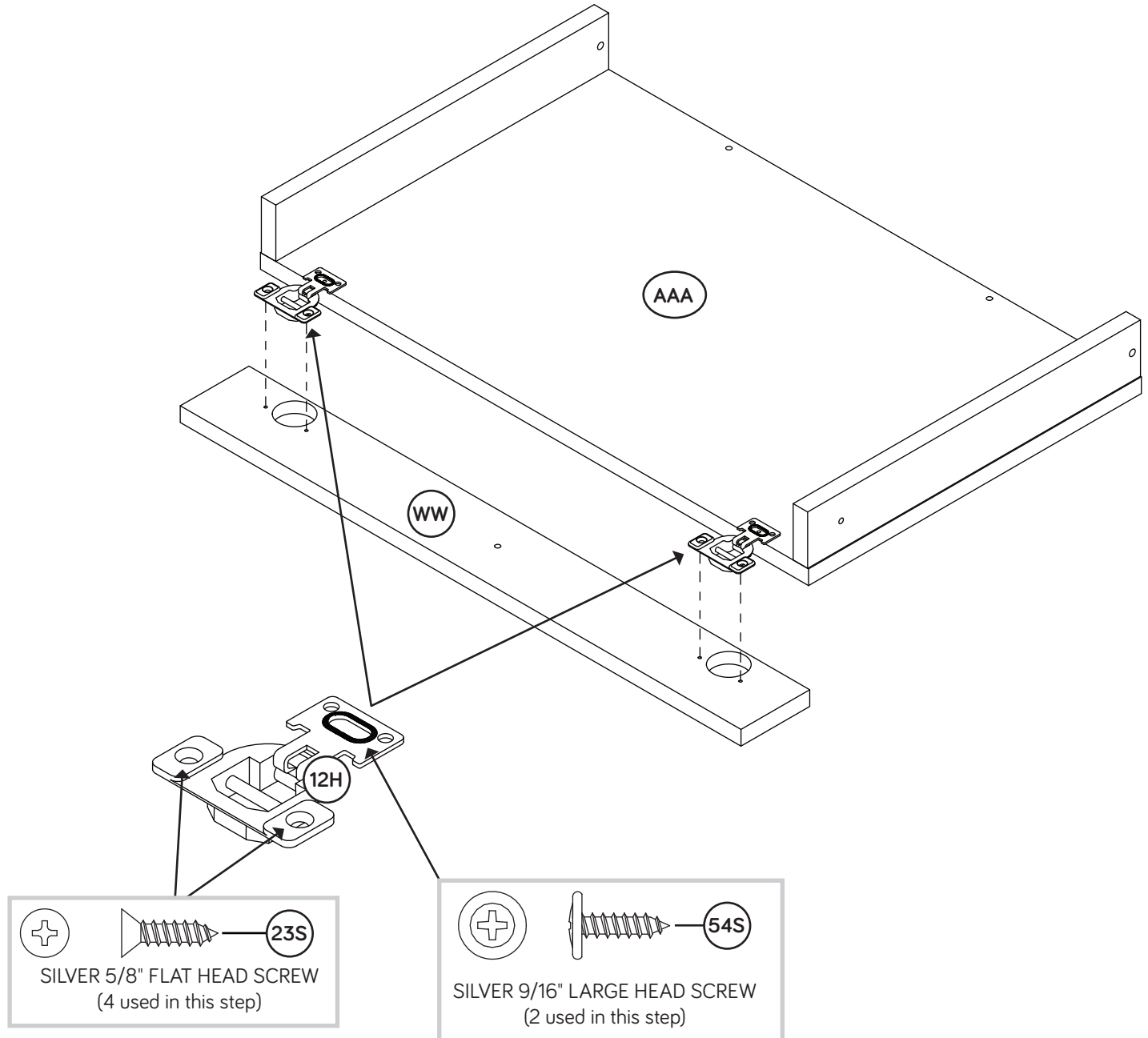
KEYBOARD DRAWER ON LEFT VIDEO

Scan this QR code or go to this address: <http://qr.sauder.com/?ID=1993> to watch a video on how to assemble your unit.



Step 2

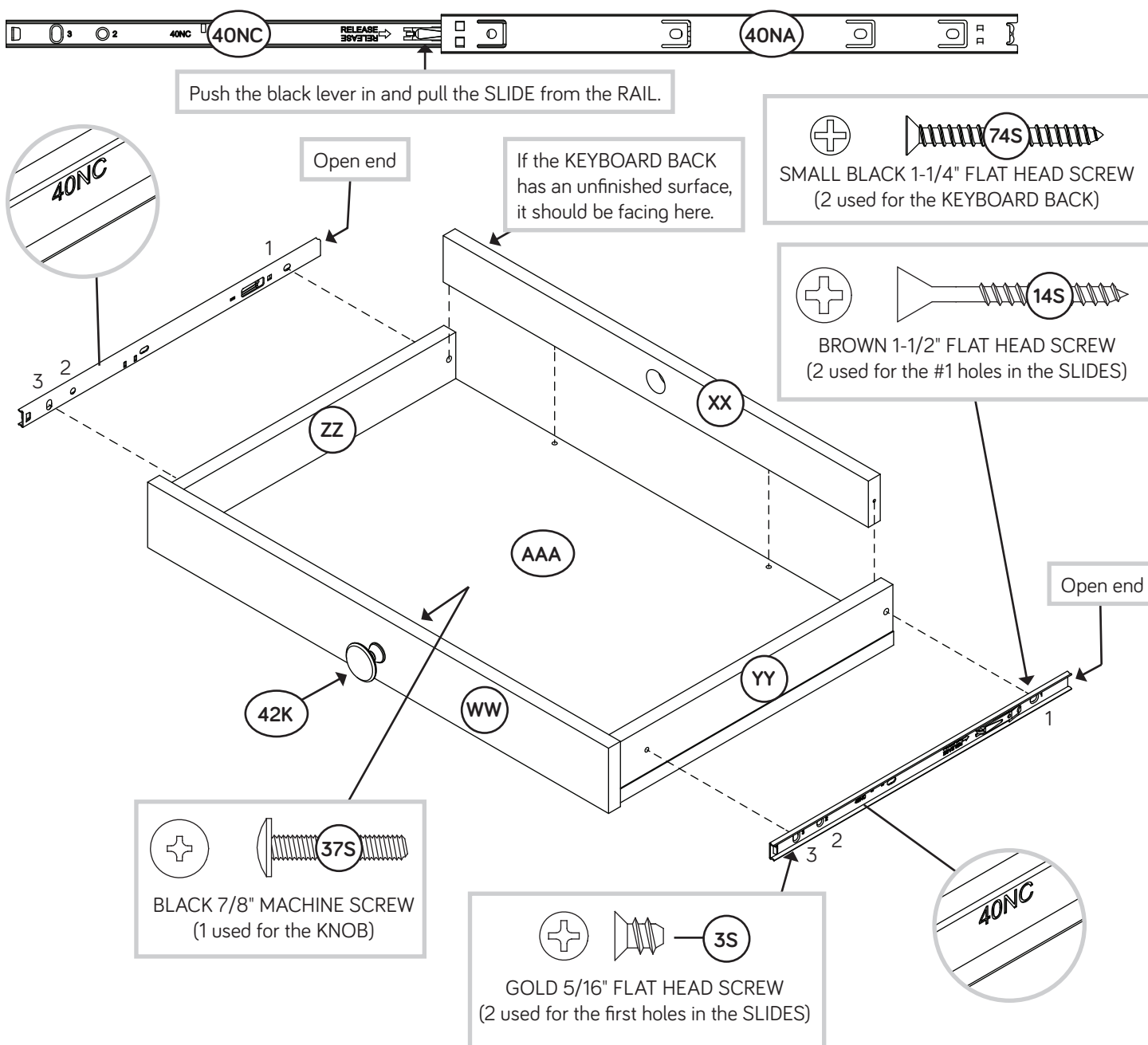
- Fasten the KEYBOARD HINGES (12H) to the KEYBOARD FRONT (WW). Use four SILVER 5/8" FLAT HEAD SCREWS (23S).
- Fasten the KEYBOARD HINGES (12H) to the KEYBOARD SHELF (AAA). Use two SILVER 9/16" LARGE HEAD SCREWS (54S).



Step 3



- NOTE: Before beginning this step, separate the NARROW EXTENSION SETS (40NA and 40NC) from the WIDE EXTENSION SETS (40MA and 40MC). Do not confuse these SETS once they are separated.
- Separate the NARROW EXTENSION SLIDES (40NC) from the NARROW EXTENSION RAILS (40NA) as shown in the upper diagram below. Be prepared, the parts are greasy.
- Fasten the NARROW EXTENSION SLIDES (40NC) to the KEYBOARD SIDES (YY and ZZ). Use two GOLD 5/16" FLAT HEAD SCREWS (3S) through hole #3 and use two BROWN 1-1/2" FLAT HEAD SCREWS (14S) through hole #1 and into the KEYBOARD BACK (XX).
- Then, fasten the KEYBOARD BACK (XX) to the KEYBOARD SHELF (AAA). Use two SMALL BLACK 1-1/4" FLATHEAD SCREWS (74S).
- Fasten the KNOB (42K) to the KEYBOARD FRONT (WW). Use a BLACK 7/8" MACHINE SCREW (37S).



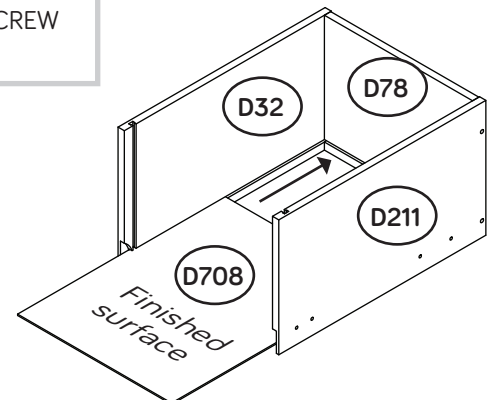
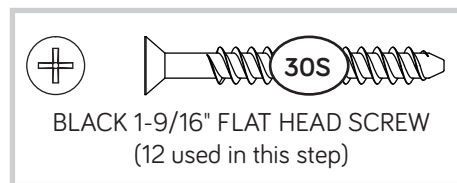
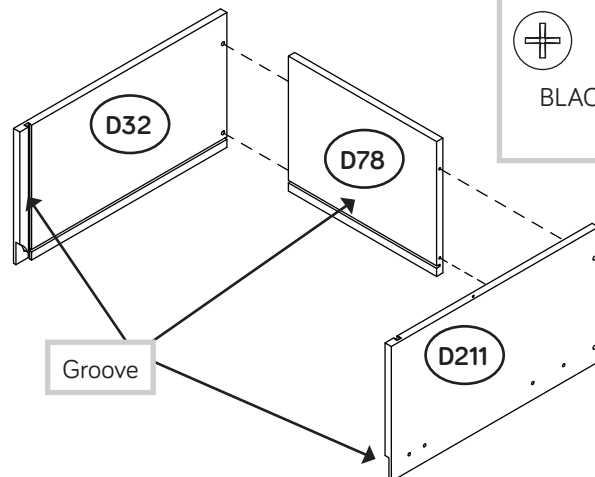
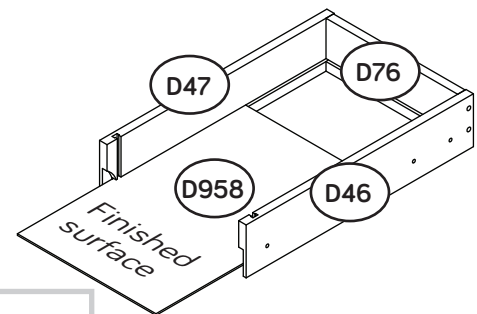
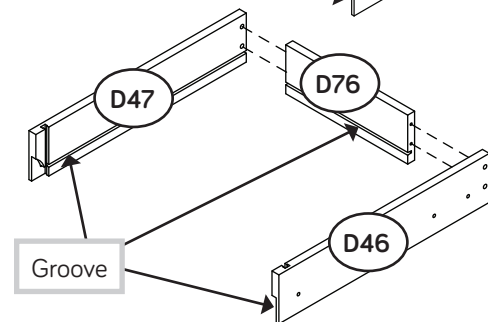
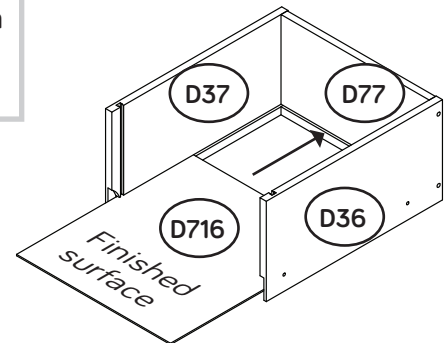
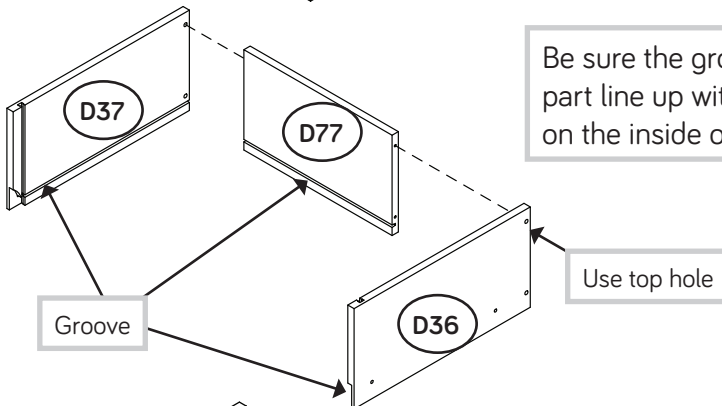
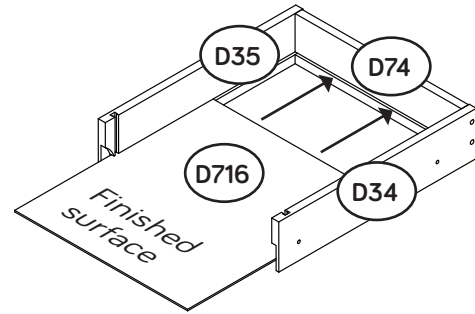
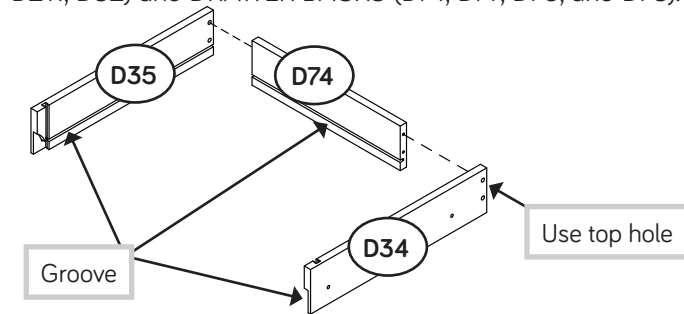
Step 4



Fasten the DRAWER SIDES (D34, D35, D36, D37, D46, D47, D211, D32) to the DRAWER BACKS (D74, D77, D76, and D78). Use twelve BLACK 1-9/16" FLAT HEAD SCREWS (30S). Be sure to use the exact parts as shown.

NOTE: The small drawer and drawer will only use one SCREW on each side. Be sure to use the top hole.

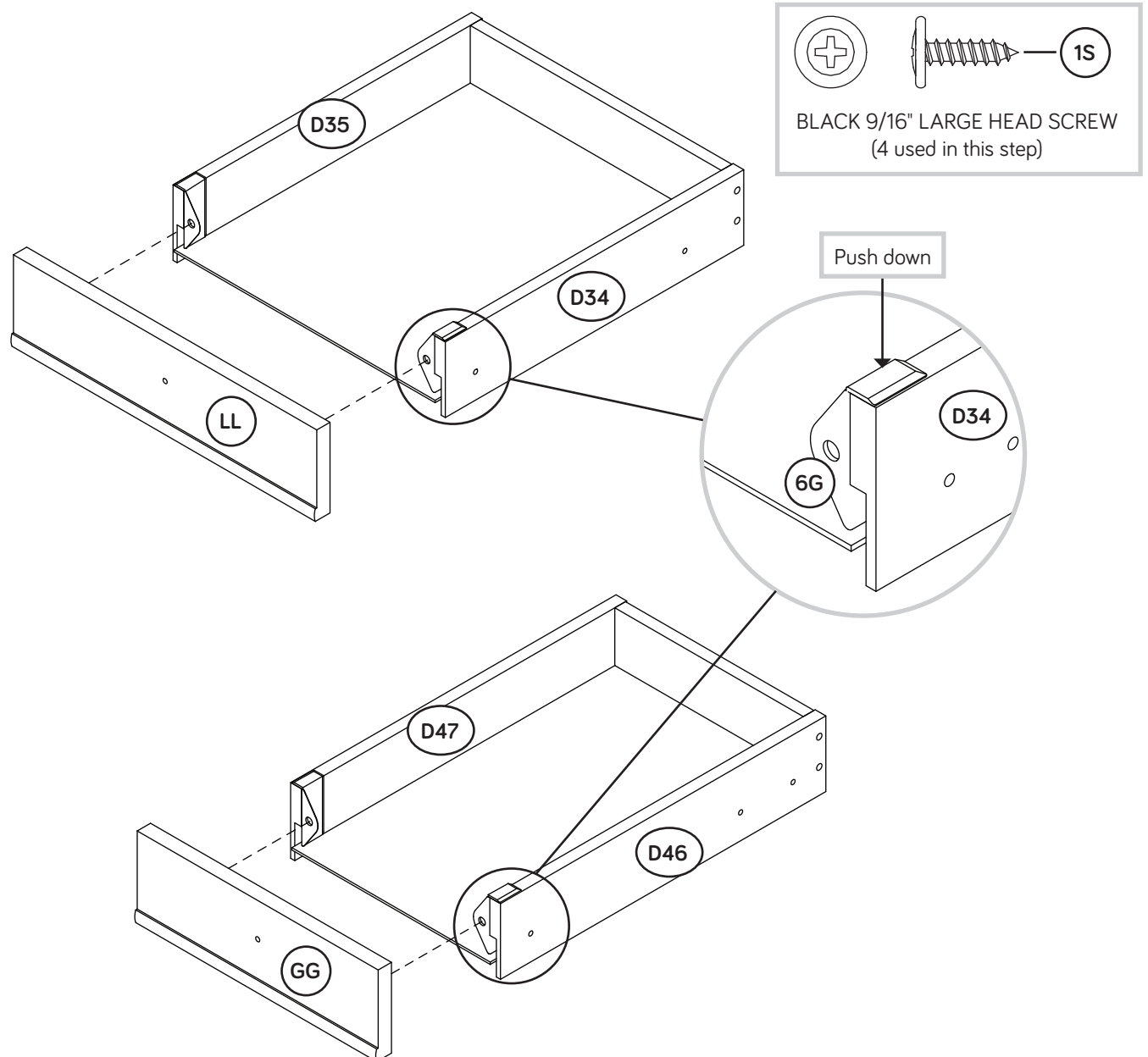
Slide the DRAWER BOTTOMS (D708, D716, D958) into the grooves in the DRAWER SIDES (D34, D35, D36, D37, D46, D47, D211, D32) and DRAWER BACKS (D74, D77, D76, and D78). Be sure to use the exact parts as shown.



Step 5

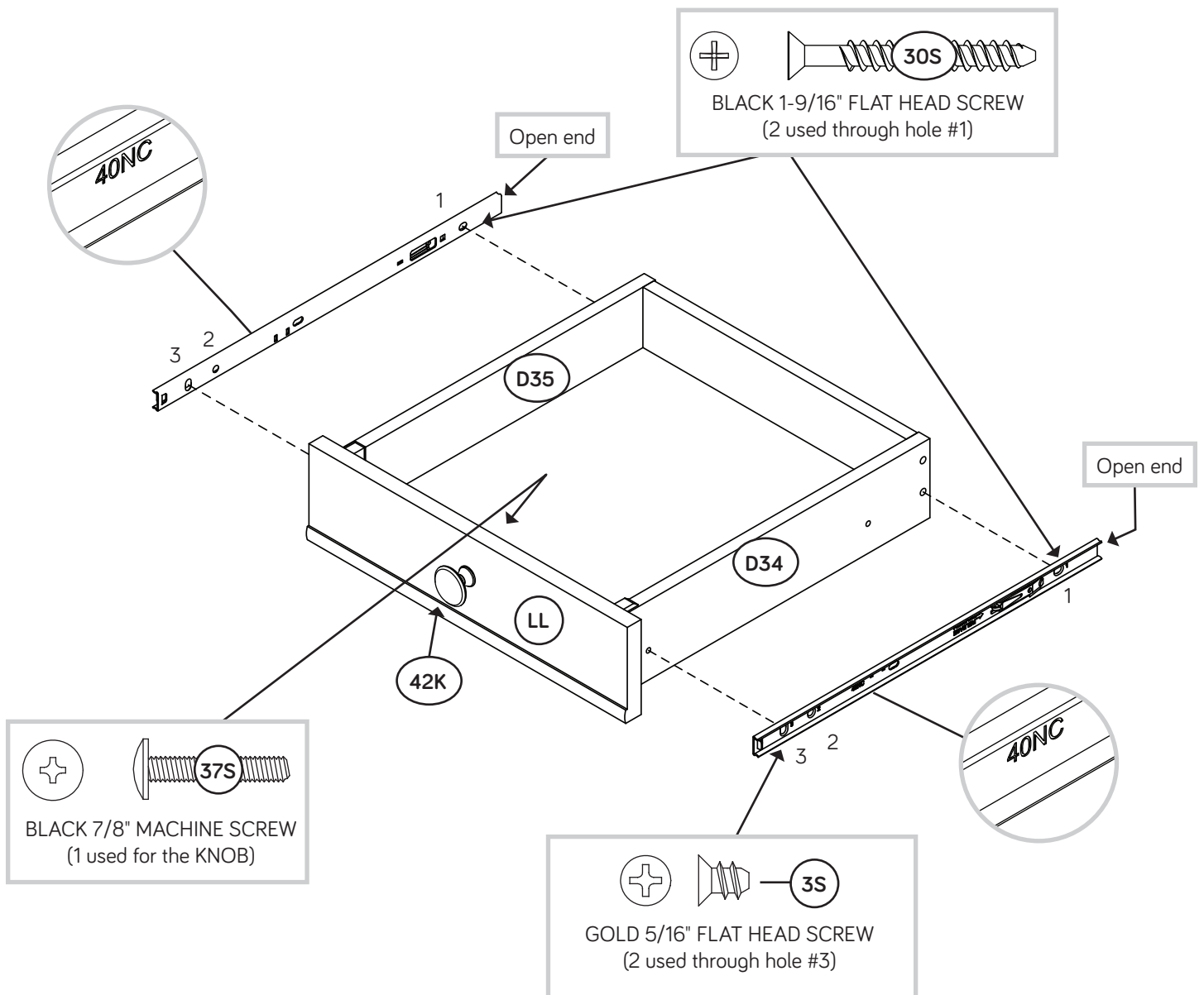


- ✚ Pull the TOP DRAWER FRONT BRACKETS (6G) apart and slide them into the grooves in the DRAWER SIDES (D34 and D35) and DRAWER SIDES (D46 and D47).
- ✚ **NOTE:** The DRAWER FRONT BRACKETS are marked "RH" and "LH" for easy identification.
- ✚ Fasten the TOP DRAWER FRONTS (GG and LL) to the TOP DRAWER FRONT BRACKETS (6G). Use four BLACK 9/16" LARGE HEAD SCREWS (1S).



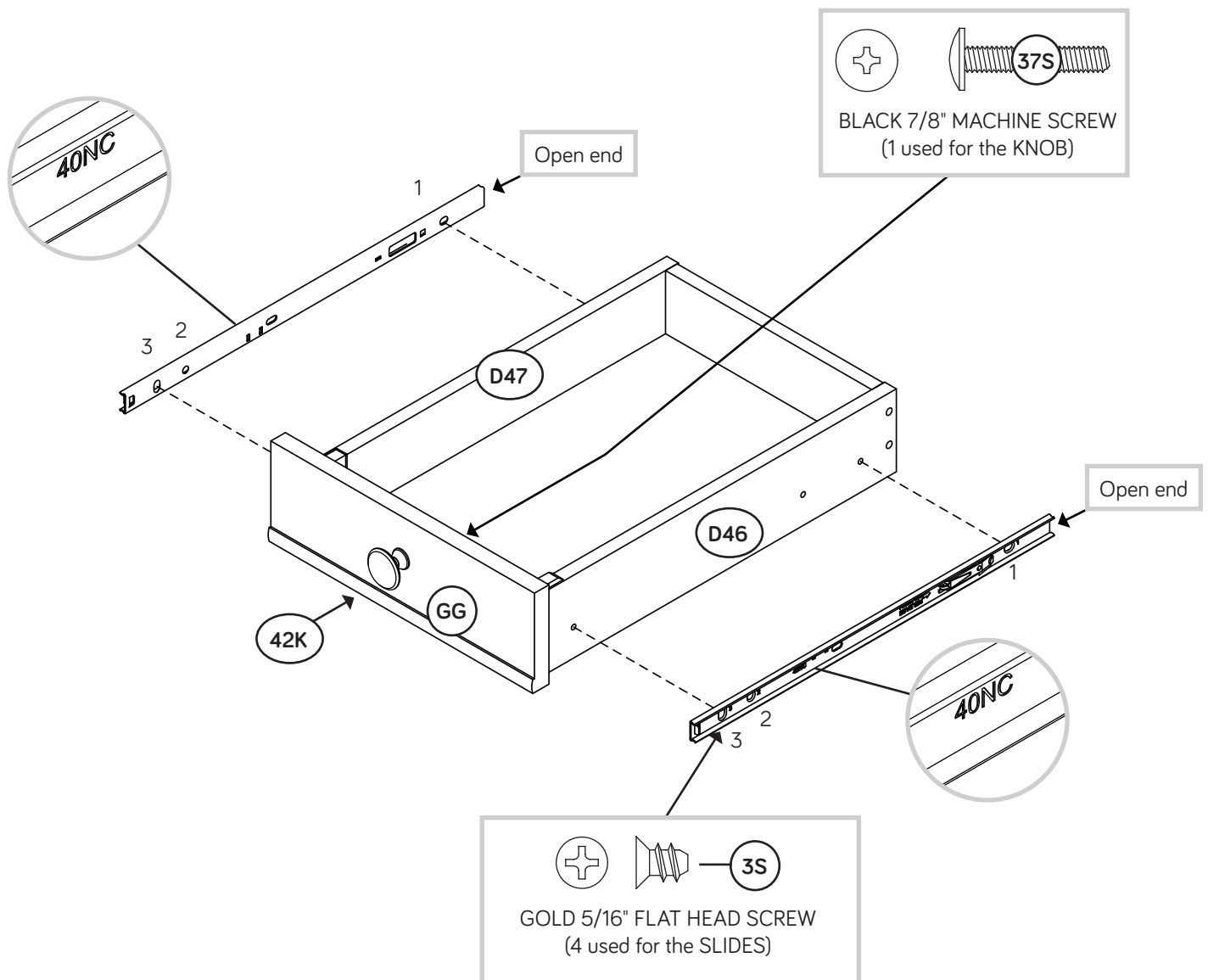
Step 6

- Fasten the NARROW EXTENSION SLIDES (40NC) to the DRAWER SIDES (D34 and D35) as shown. Use two GOLD 5/16" FLAT HEAD SCREWS (3S) through hole #3 and use two BLACK 1-9/16" FLAT HEAD SCREWS (30S) through hole #1.
- Fasten a KNOB (42K) to the TOP LEFT DRAWER FRONT (LL). Use a BLACK 7/8" MACHINE SCREW (37S).



Step 7

- Fasten the NARROW EXTENSION SLIDES (40NC) to the DRAWER SIDES (D46 and D47). Use four GOLD 5/16" FLAT HEAD SCREWS (3S) through holes #1 and #3.
- Fasten a KNOB (42K) to the TOP RIGHT DRAWER FRONT (GG). Use a BLACK 7/8" MACHINE SCREW (37S).



Step 8

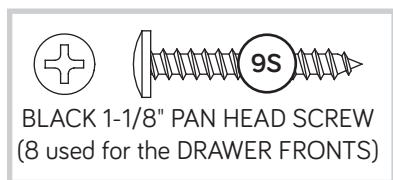
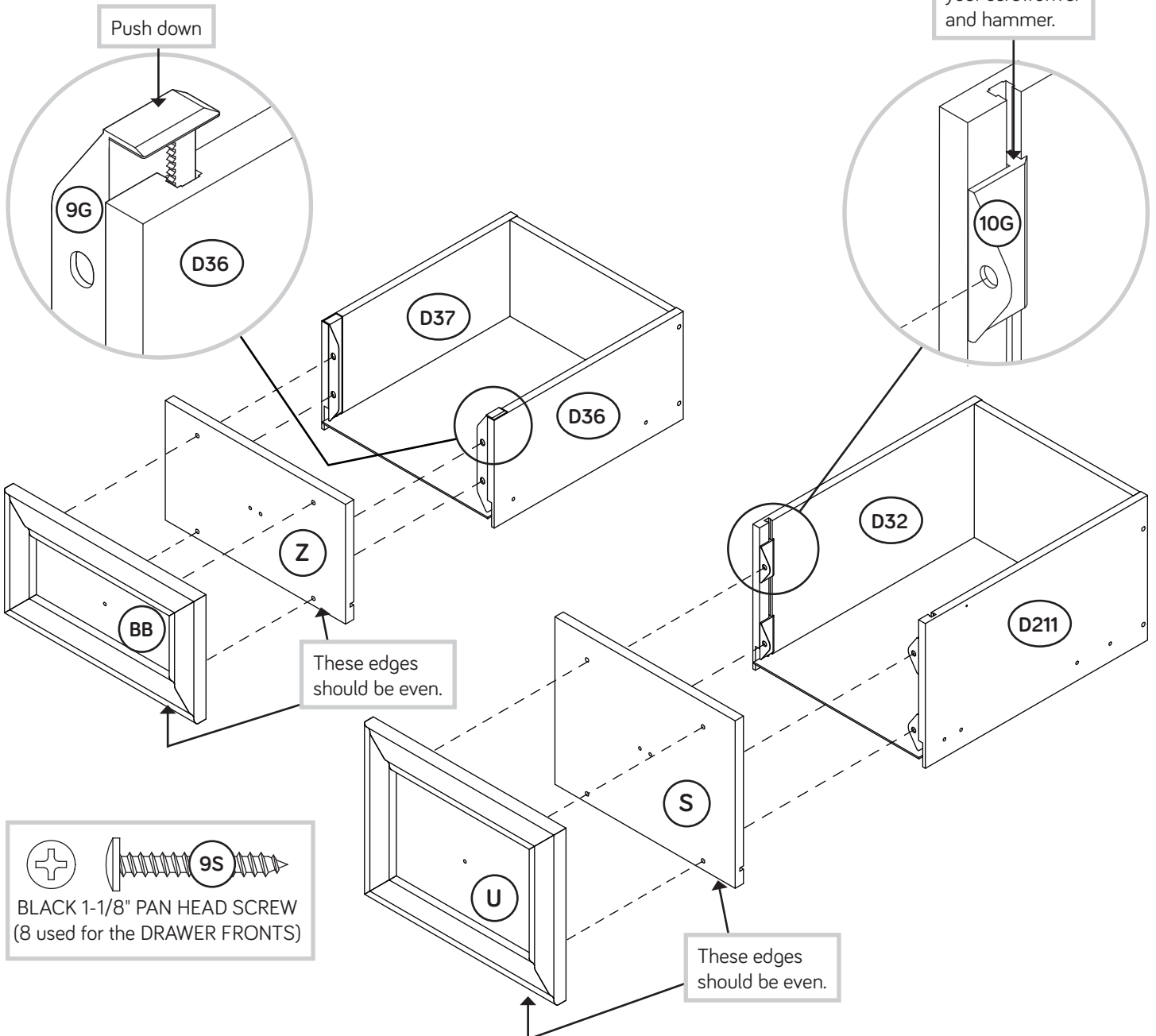
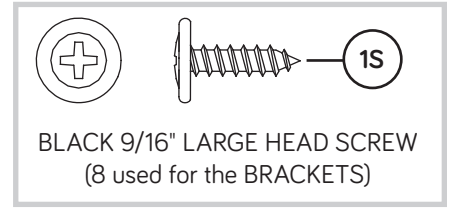


✚ Pull the DRAWER FRONT BRACKETS (9G and 10G) apart and slide them into the grooves in the DRAWER SIDES (D211, D32, D36, and D37) as shown in the large diagrams.

✚ **NOTE:** The DRAWER FRONT BRACKETS are marked "RH" and "LH" for easy identification.

✚ Fasten the DRAWER BOX FRONTS (S and Z) to the DRAWER FRONT BRACKETS (9G and 10G). Use eight BLACK 9/16" LARGE HEAD SCREWS (1S).

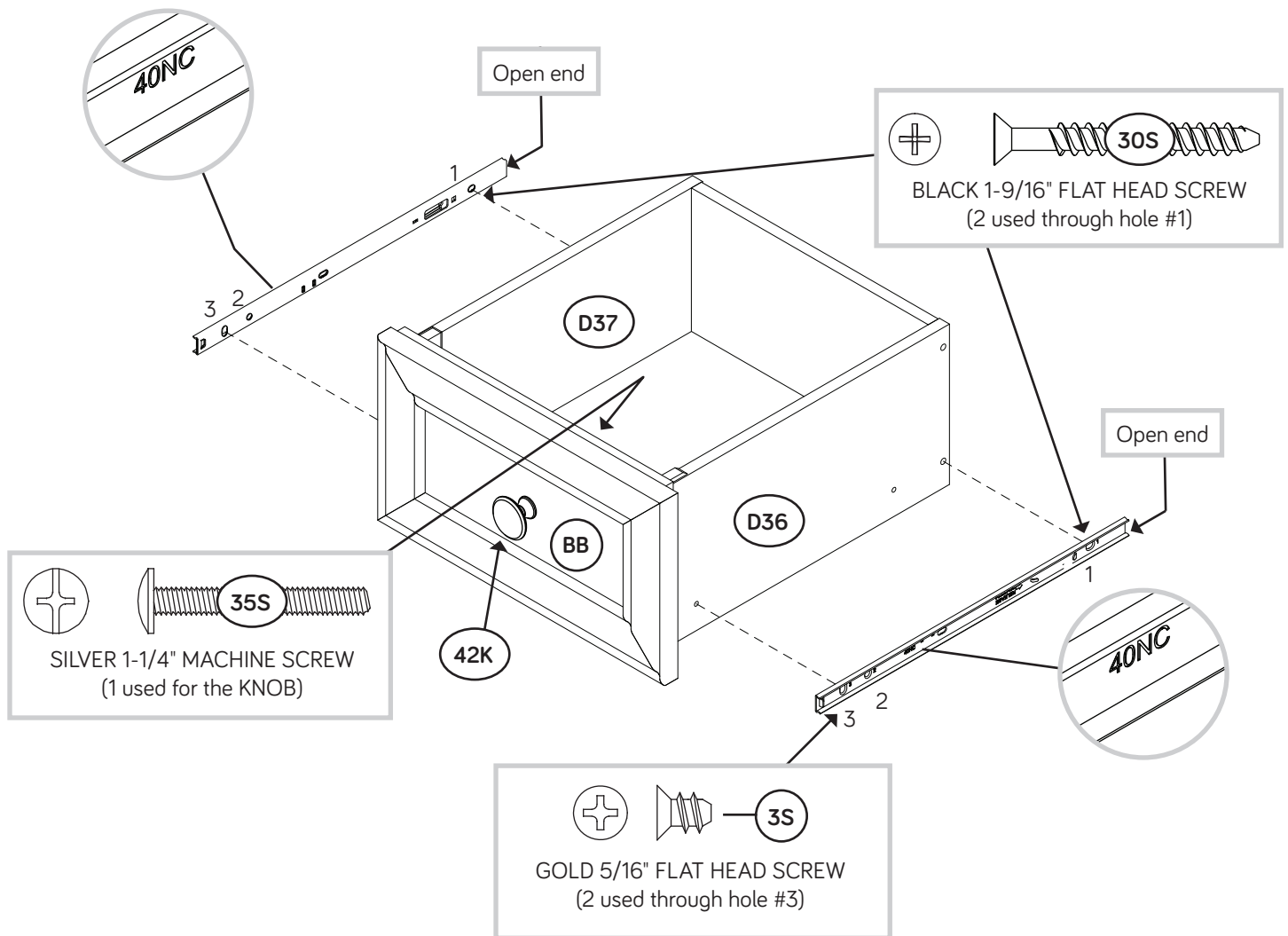
✚ Fasten the DRAWER FRONTS (U and BB) to the DRAWER BOX FRONTS (S and Z). Use eight BLACK 1-1/8" PAN HEAD SCREWS (9S).



Step 9



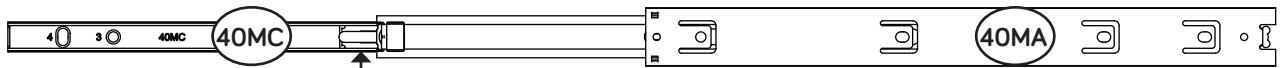
- Fasten the NARROW EXTENSION SLIDES (40NC) to the DRAWER SIDES (D3 and D37) as shown. Use two GOLD 5/16" FLAT HEAD SCREWS (3S) through hole #3 and use two BLACK 1-9/16" FLAT HEAD SCREWS (30S) through hole #1.
- Fasten the KNOB (42K) to the DRAWER FRONT (BB). Use a SILVER 1-1/4" MACHINE SCREW (35S) through the DRAWER BOX FRONT, through the DRAWER FRONT, and into the KNOB.



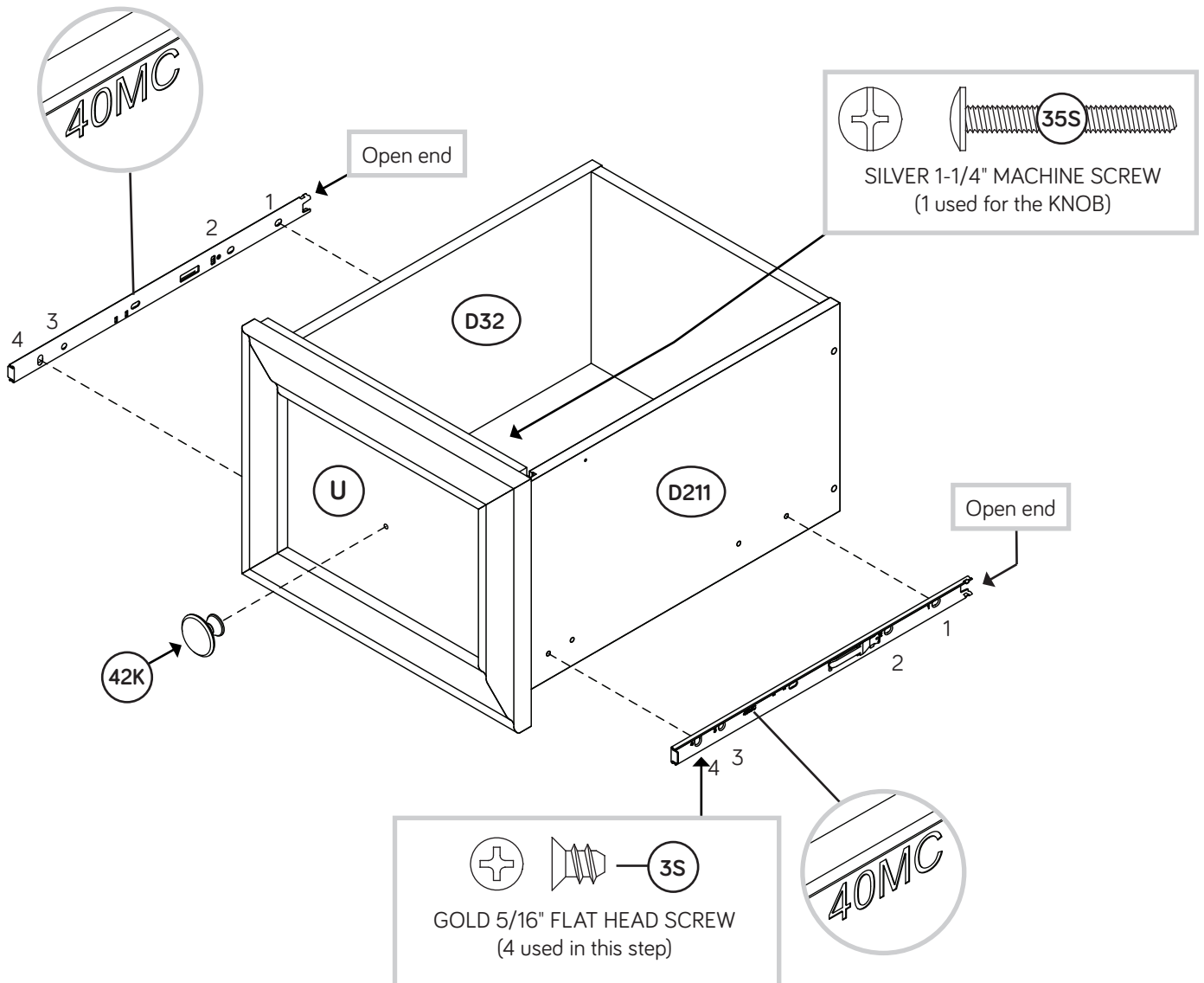
Step 10



- ✚ Separate the WIDE EXTENSION SLIDES (40MC) from the WIDE EXTENSION RAILS (40MA) as shown in the upper diagram below. Be prepared, the parts are greasy.
- ✚ Fasten the WIDE EXTENSION SLIDES (40MC) to the FILE DRAWER SIDES (D211 and D32). Use four GOLD 5/16" FLAT HEAD SCREWS (3S) through holes #1 and #4.
- ✚ **NOTE:** The EXTENSION RAILS will be used later.
- ✚ Fasten the KNOB (42K) to the FILE DRAWER FRONT (U). Use a SILVER 1-1/4" MACHINE SCREW (35S) through the DRAWER BOX FRONT, through the DRAWER FRONT, and into the KNOB.



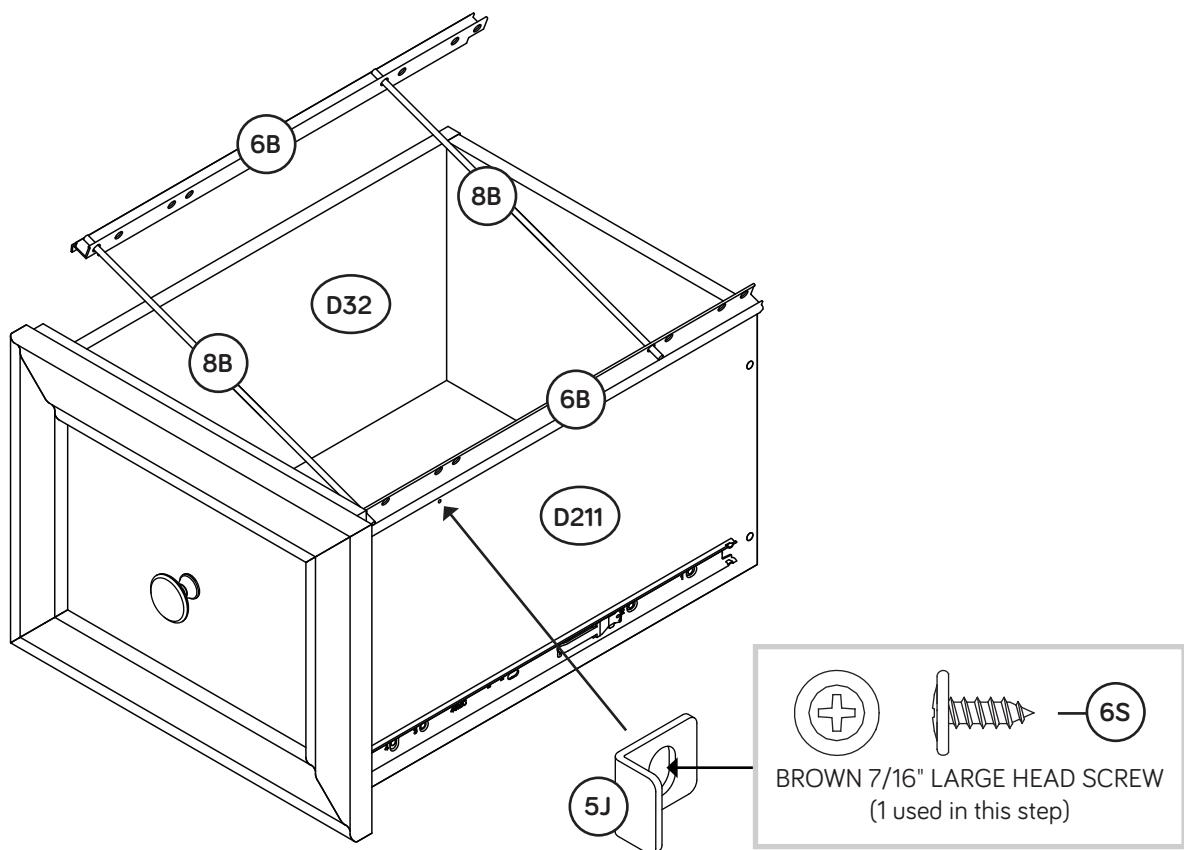
Push the black lever in and pull the SLIDE from the RAIL.



Step 11

- ✚ Push a FILE GLIDE (6B) onto the FILE DRAWER RIGHT SIDE (D211).
- ✚ Slide the FILE RODS (8B) into the FILE GLIDE (6B) on the FILE DRAWER RIGHT SIDE (D211).
- ✚ Slide another FILE GLIDE (6B) onto the other end of the FILE RODS (8B), then press this FILE GLIDE over the FILE DRAWER LEFT SIDE (D32).
- ✚ Fasten the LOCK BRACKET (5J) to the FILE DRAWER RIGHT SIDE (D211). Use a BROWN 7/16" LARGE HEAD SCREW (6S).

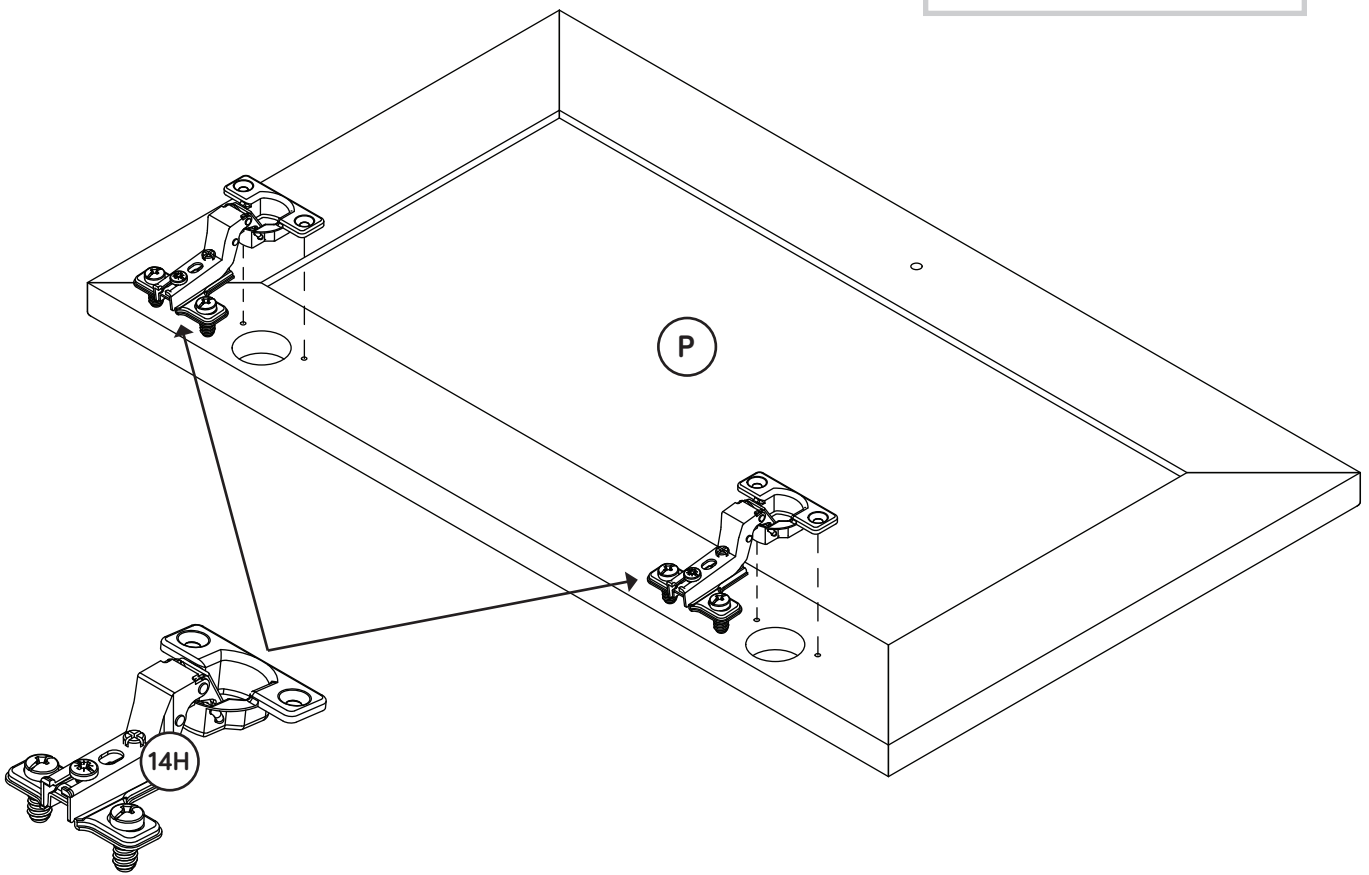
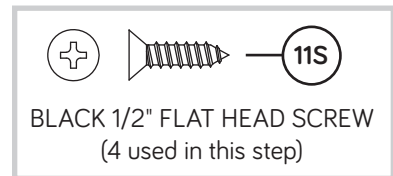
Insert the FILE RODS into the holes of your choice in the FILE GLIDES, depending on your file sizes.



Step 12



- Fasten the HINGES (14H) to the DOOR (P). Use four BLACK 1/2" FLAT HEAD SCREWS (11S).

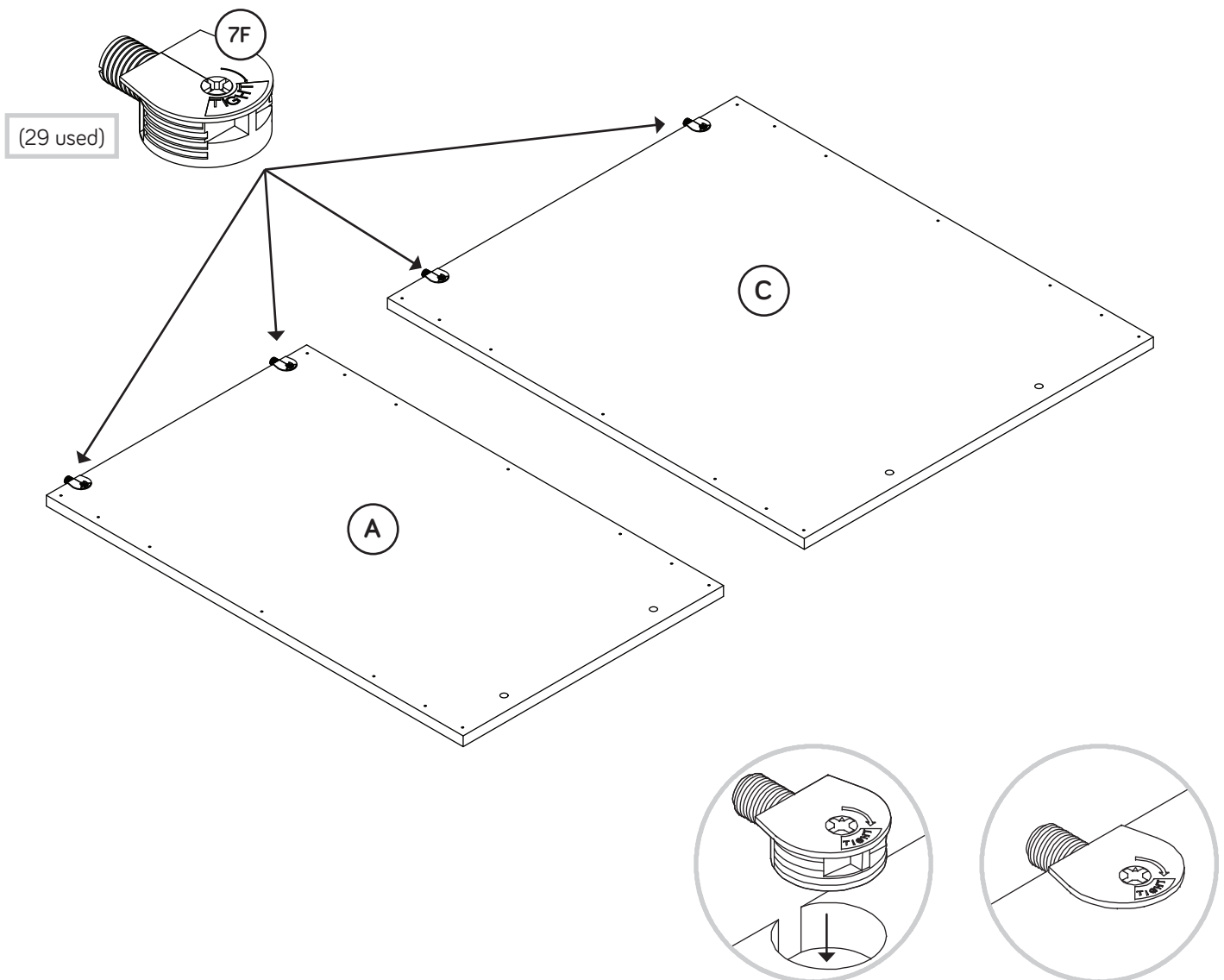


Step 13



- ✚ Push four SAUDER TWIST-LOCK® FASTENERS (7F) into the large holes in the OUTER ENDS (A and C).
- ✚ Repeat this step for the INNER ENDS (B3 and D3), BOTTOMS (I2 and J2), RIGHT MODESTY PANEL (K2), BACKS (N and O), LEGS (R and T), KEYBOARD UPRIGHT (VV), and both SPACERS (L4).
- ✚ **NOTE:** Do not insert a SAUDER TWIST-LOCK® FASTENER into the UPRIGHTS (E2 and F2) at this time.

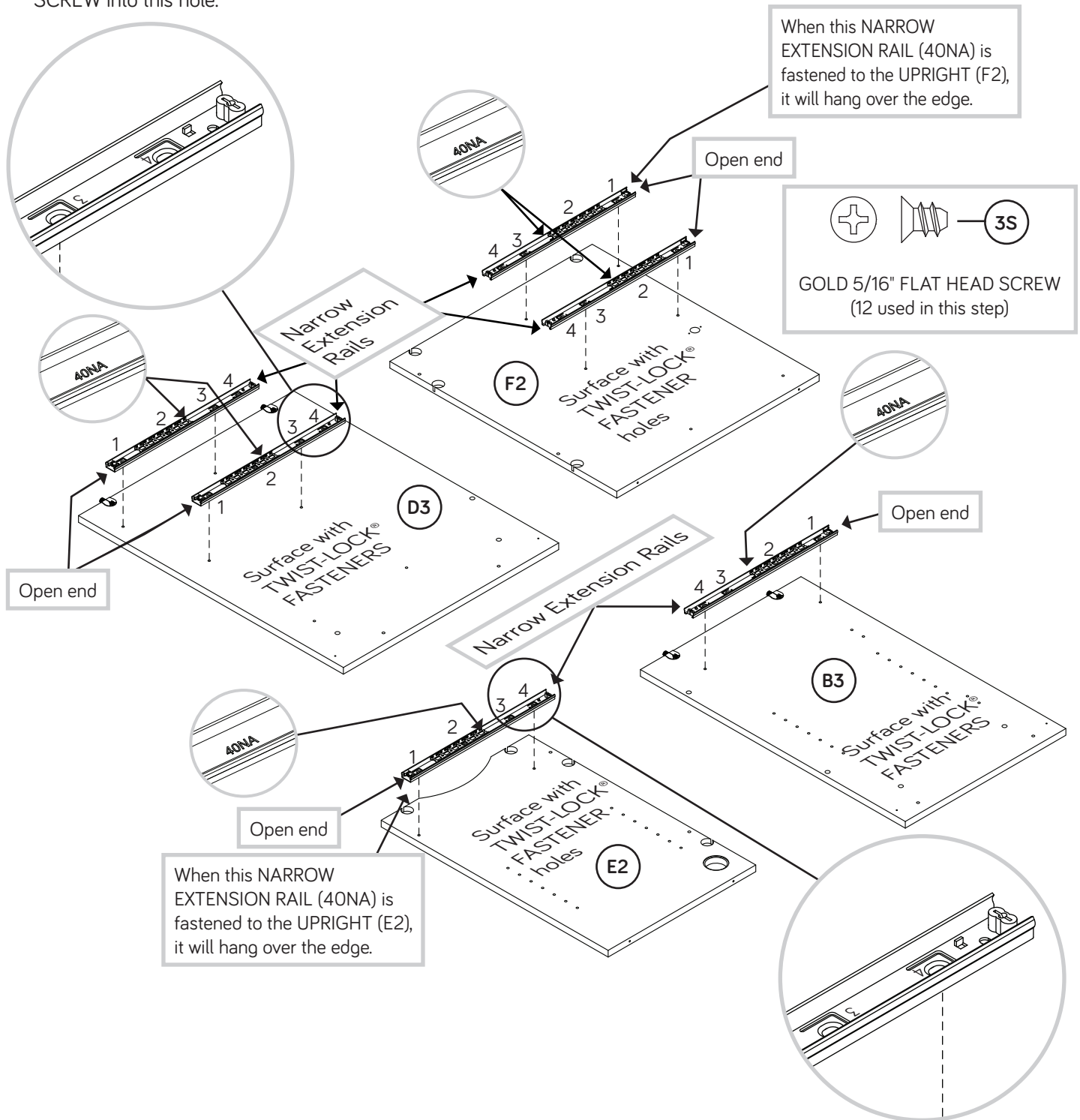
Do not tighten the TWIST-LOCK® FASTENERS in this step.



Step 14



- Fasten the NARROW EXTENSION RAILS (40NA) to the INNER ENDS (B3 and D3) and UPRIGHTS (E2 and F2). Use eight GOLD 5/16" FLAT HEAD SCREWS (3S) through holes #1 and #3 in four RAILS that fasten to the INNER LEFT END (D3) and LEFT UPRIGHT (F2). Use four GOLD 5/16" FLAT HEAD SCREWS (3S) through holes #1 and #4 in two RAILS that fasten to the INNER RIGHT END (B3) and RIGHT UPRIGHT (E2).
- NOTE: For each EXTENSION RAIL, turn a SCREW into the hole shown in the enlarged diagram. Then, slide the inner cartridge of the EXTENSION RAIL in to find the other hole that lines up with the hole in the END and UPRIGHT. Turn a SCREW into this hole.

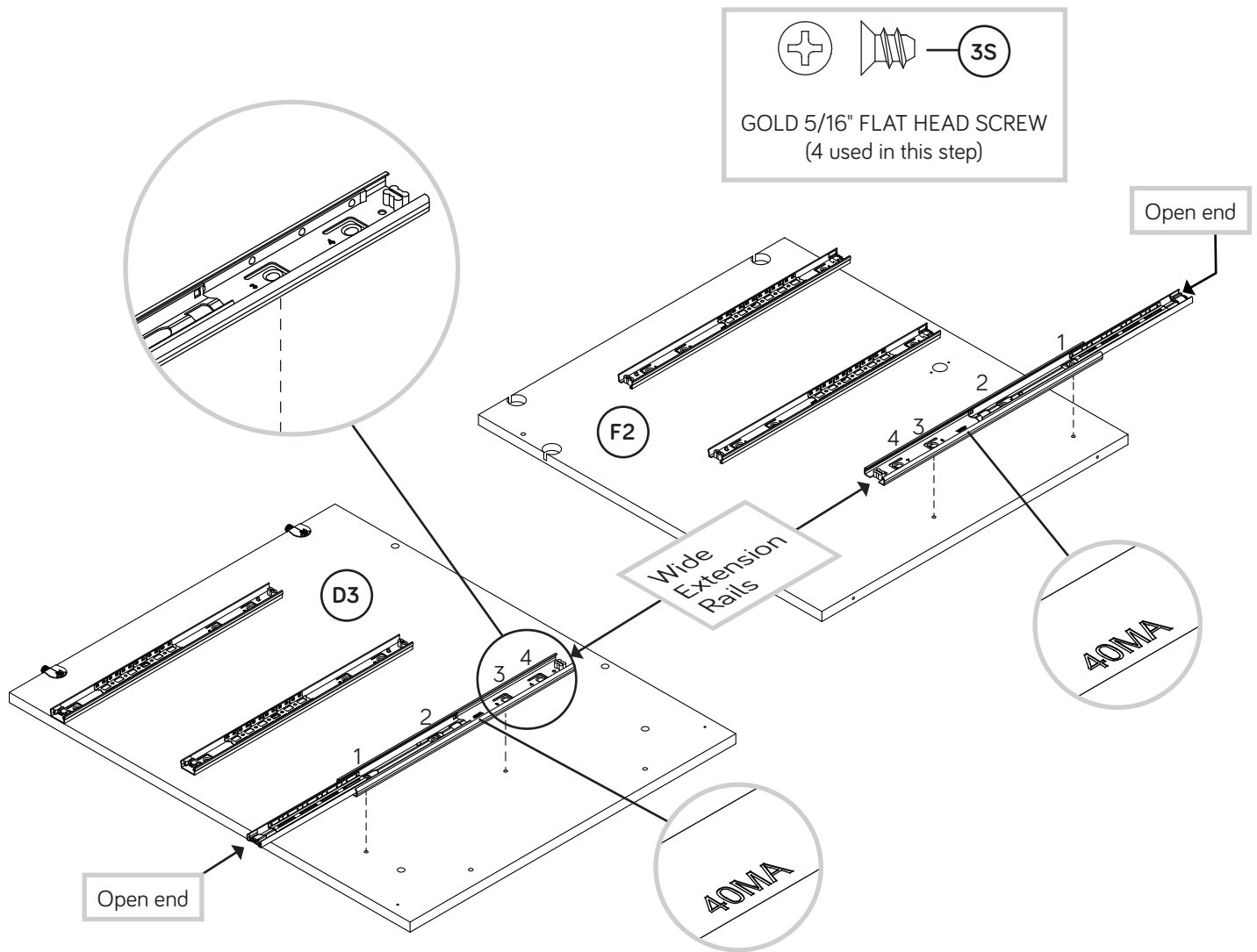


Step 15



Fasten the WIDE EXTENSION RAILS (40MA) to the INNER LEFT END (D3) and LEFT UPRIGHT (F2). Use four GOLD 5/16" FLAT HEAD SCREWS (3S) through holes #1 and #3.

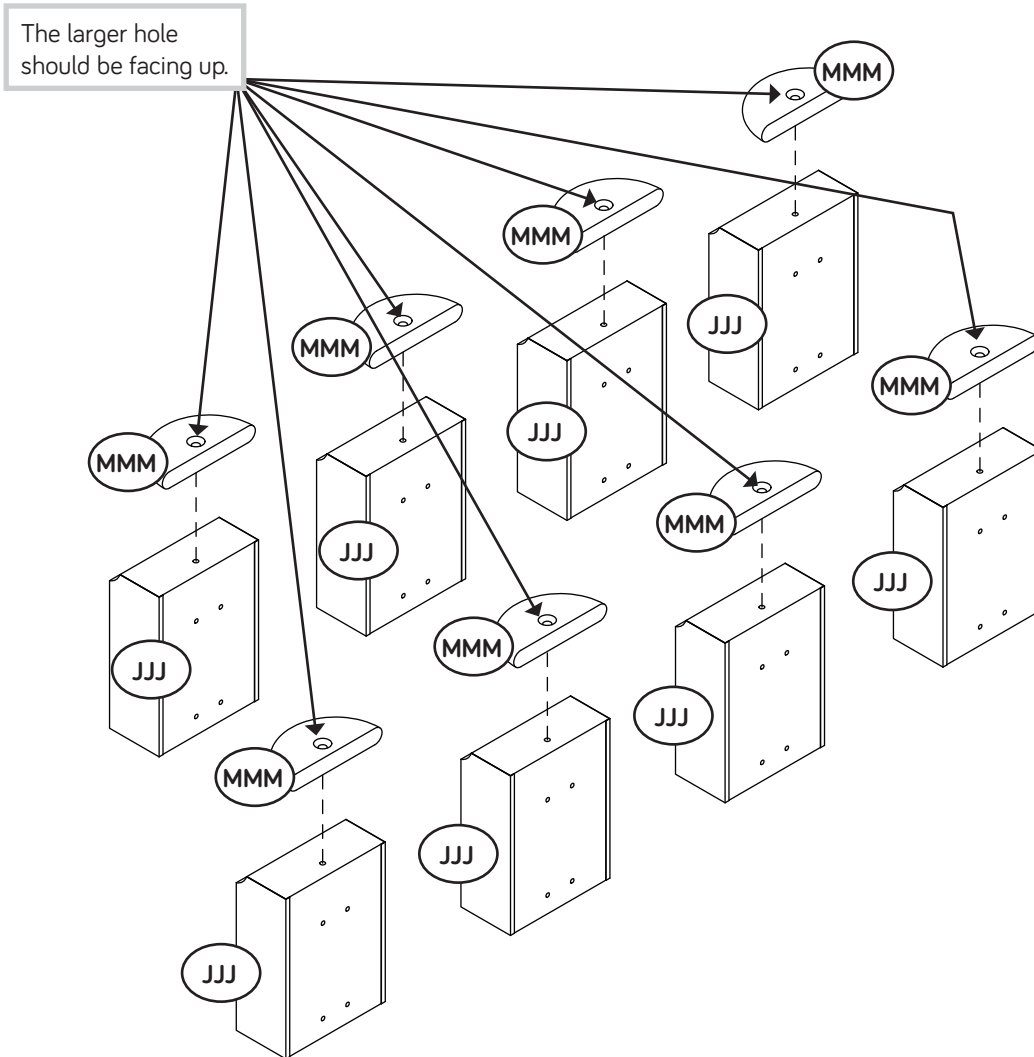
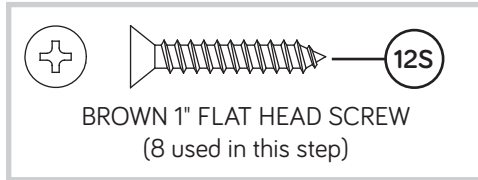
NOTE: For each EXTENSION RAIL, turn a SCREW into the hole shown in the enlarged diagram. Then, slide the inner cartridge of the EXTENSION RAIL out to find the other holes that line up with the holes in the END and UPRIGHT. Turn a SCREW into this hole.



Step 16

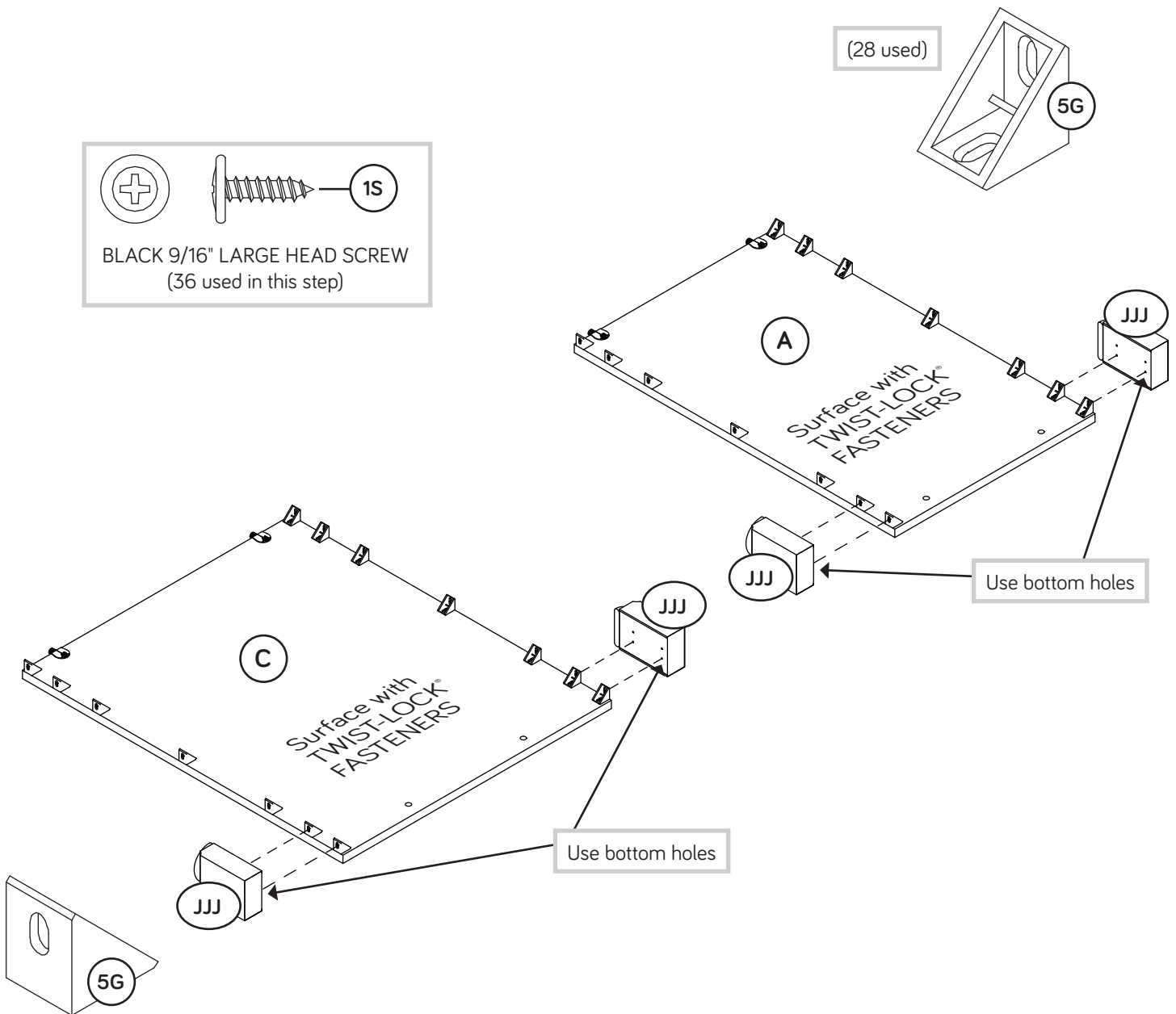
Fasten the HALF DISKS (MMM) to the PLINTHS (JJJ). Use eight BROWN 1" FLAT HEAD SCREWS (12S).

 Remember:
Righty tighty.
Lefty loosey.



Step 17

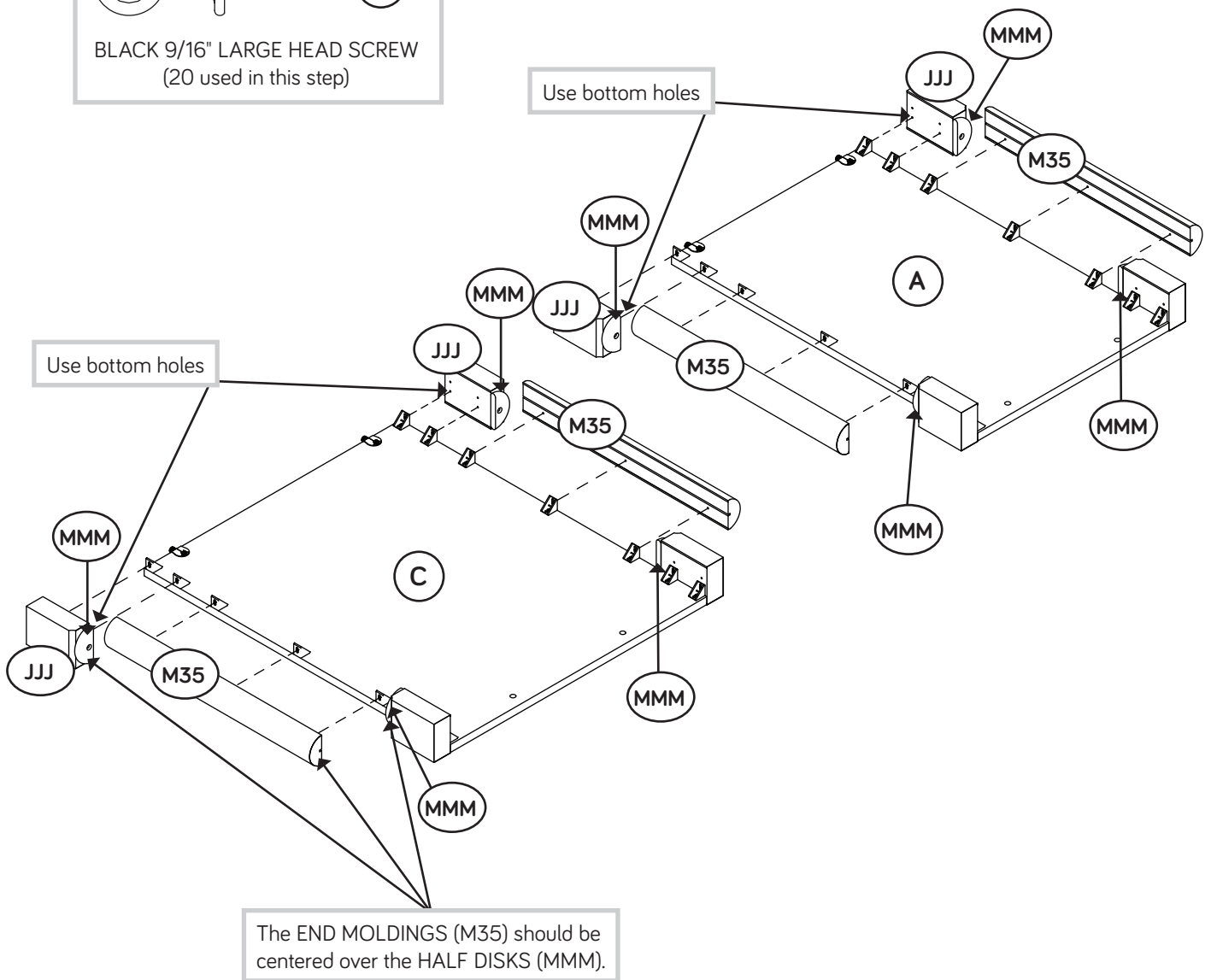
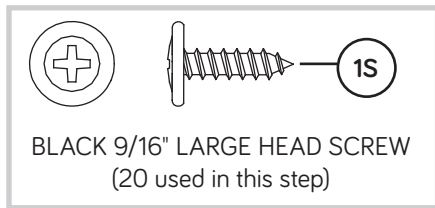
- Fasten twenty-eight ANGLE BRACKETS (5G) to the OUTER ENDS (A and C). Use twenty-eight BLACK 9/16" LARGE HEAD SCREWS (1S).
- NOTE:** Be sure the edges of the ANGLE BRACKETS are even with the edges of the OUTER ENDS.
- Fasten four PLINTHS (JJJ) to the OUTER ENDS (A and C). Use eight BLACK 9/16" LARGE HEAD SCREWS (1S).



Step 18

Fasten the PLINTHS (JJJ) and END MOLDINGS (M35) to the OUTER ENDS (A and C). Use twenty BLACK 9/16" LARGE HEAD SCREWS (1S).

NOTE: Be sure to center the END MOLDINGS (M35) over the HALF DISKS (MMM) on the PLINTHS (JJJ).

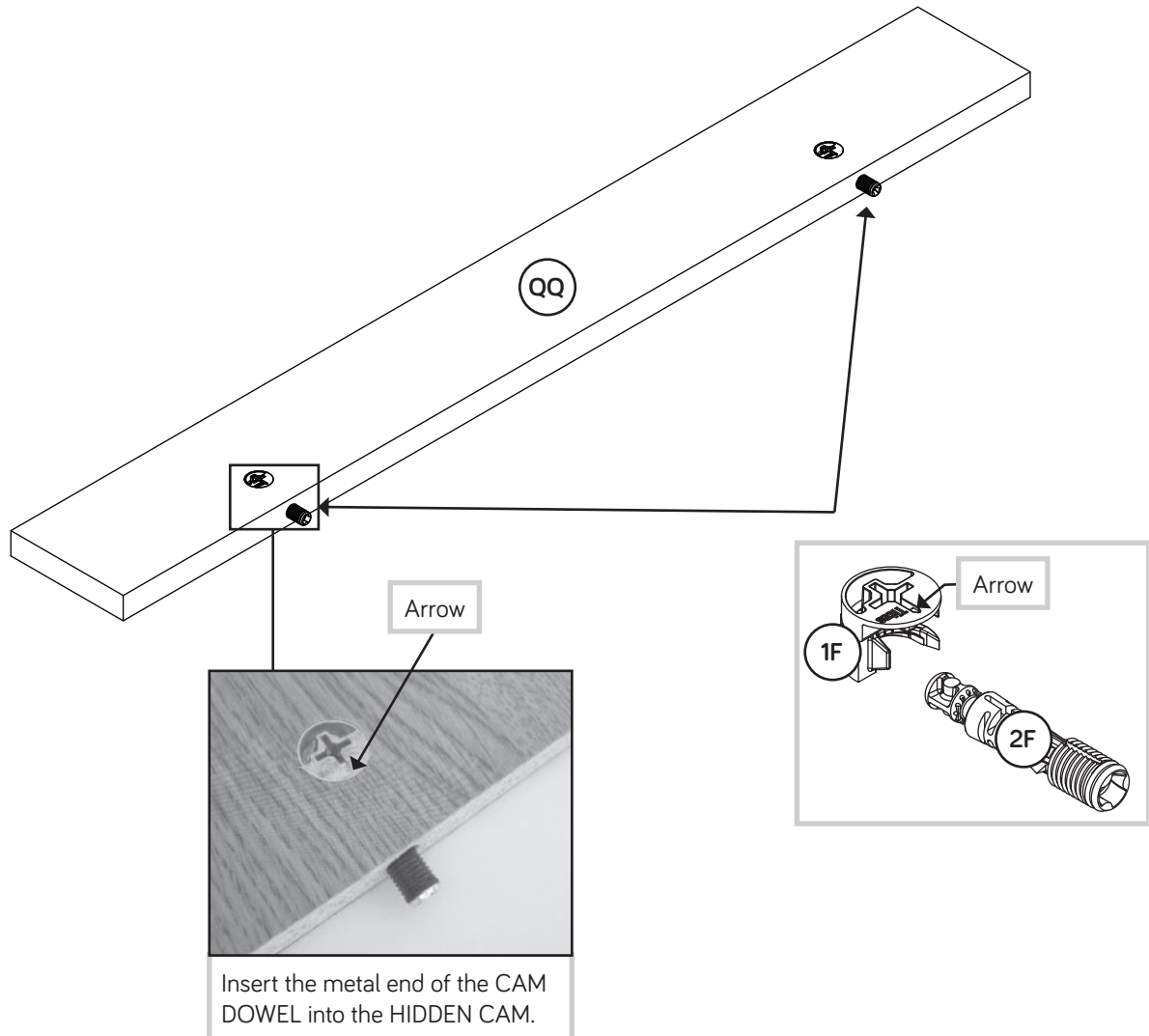


Step 19



- Push two HIDDEN CAMS (1F) into the FRONT PANEL (QQ). Then, insert the metal end of a CAM DOWEL (2F) into each HIDDEN CAM.

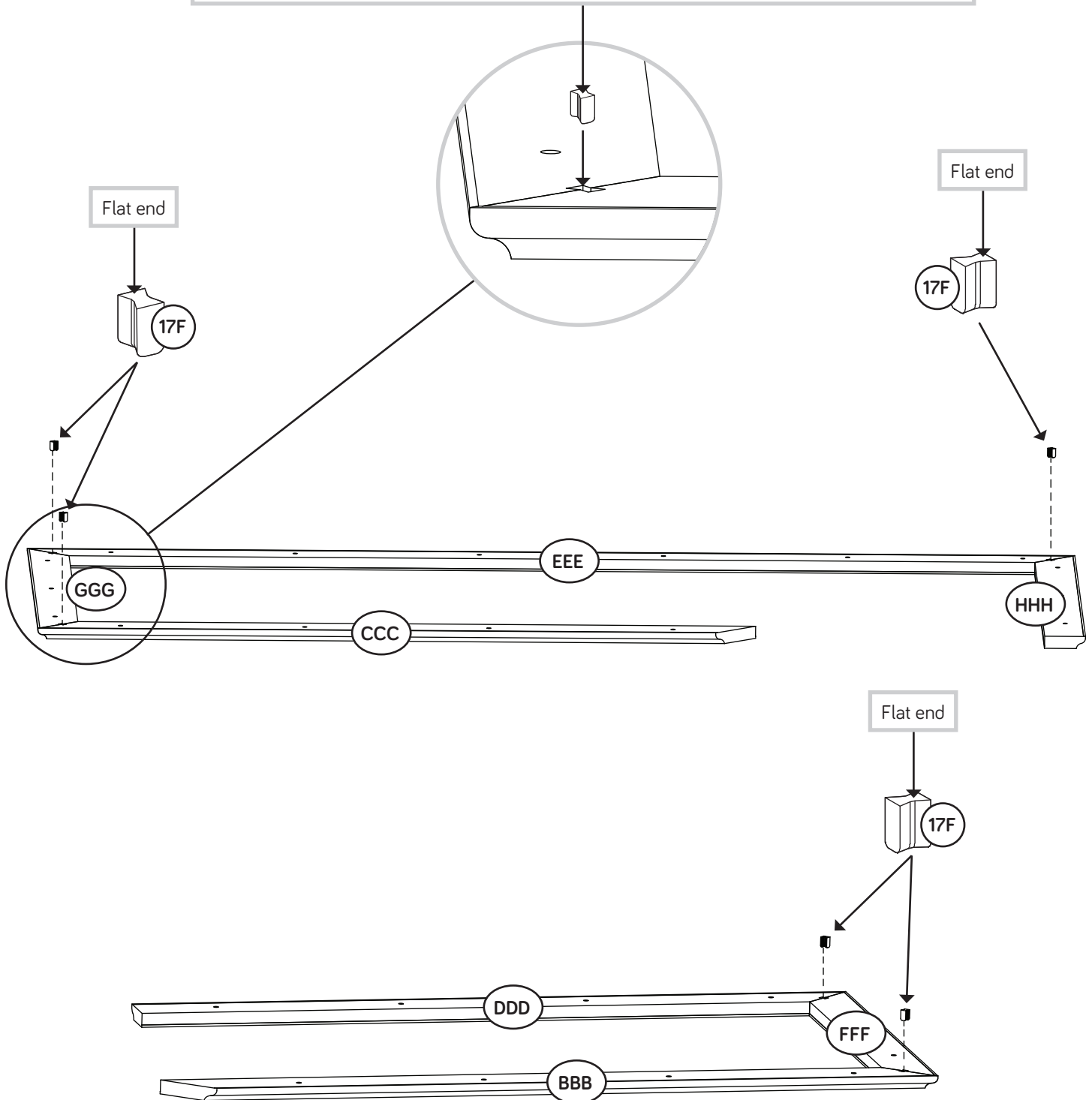
Do not tighten the HIDDEN CAMS in this step.



Step 20

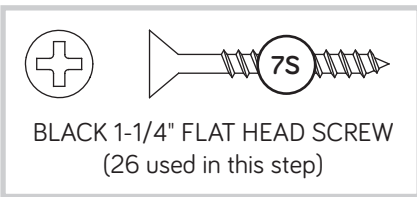
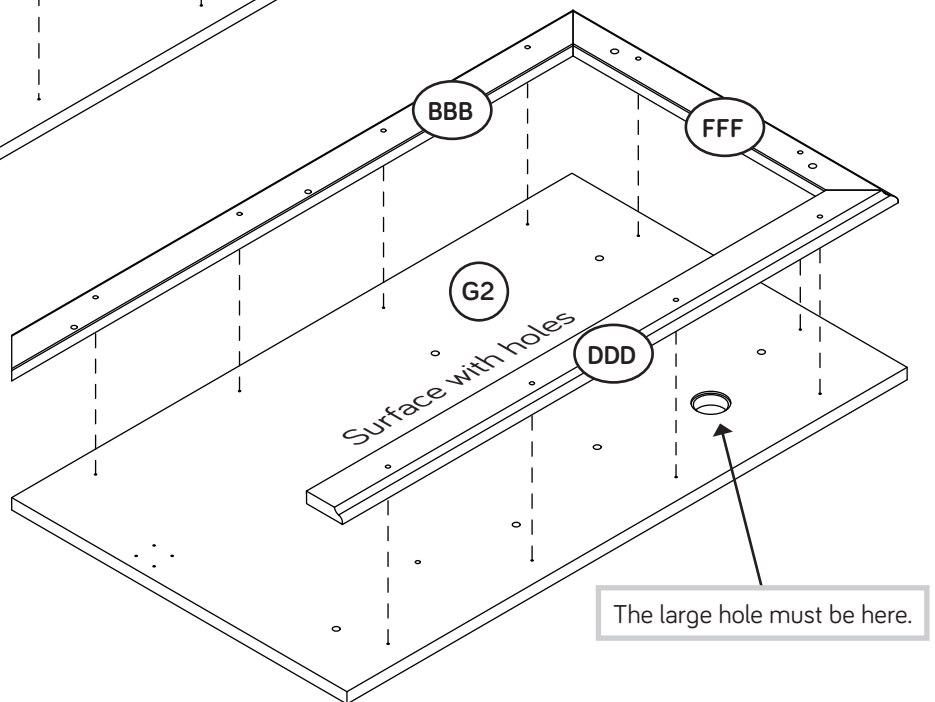
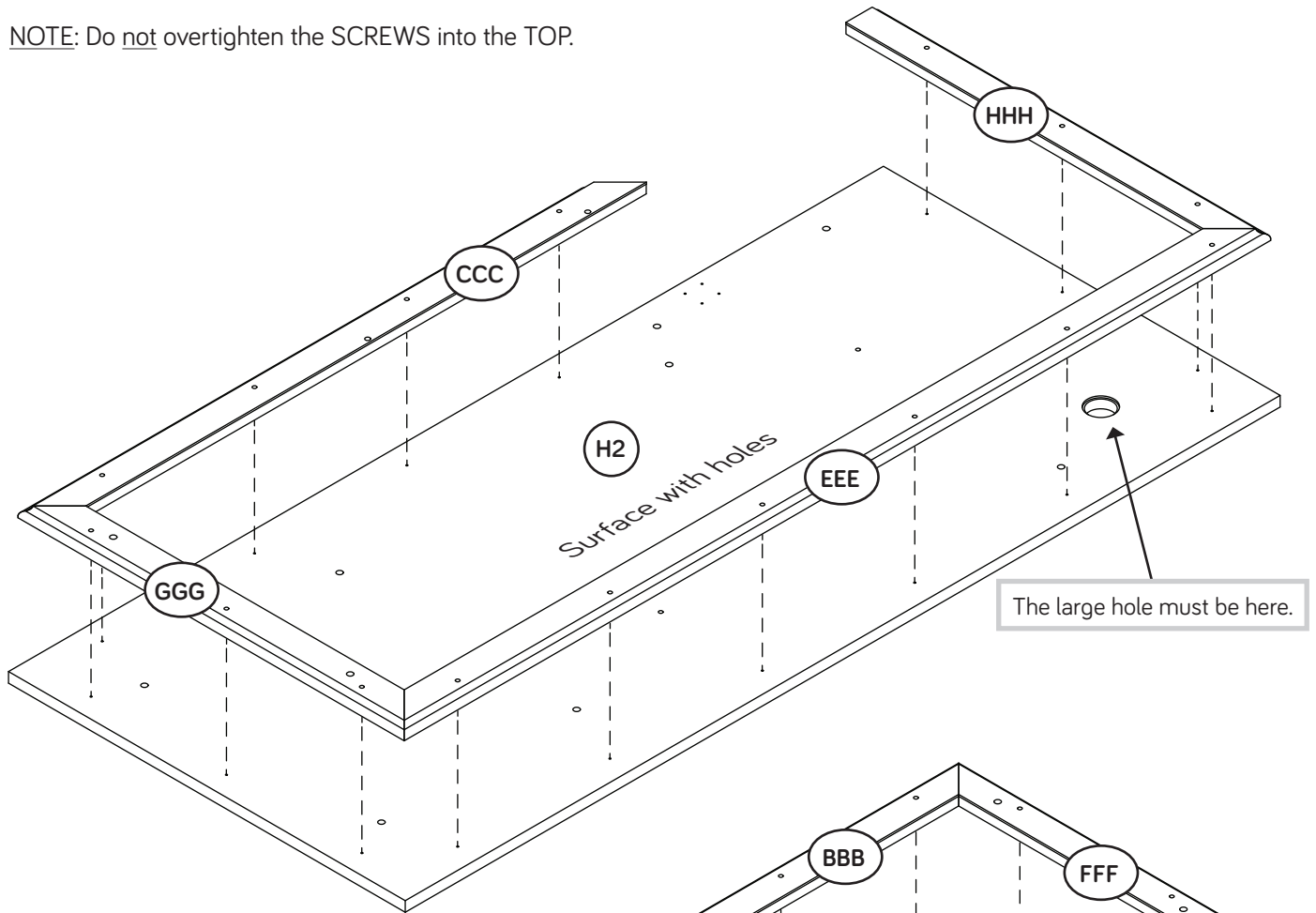
- Tap five MOLDING CONNECTORS (17F) into the notches in the MOLDINGS (BBB, CCC, DDD, EEE, FFF, GGG, and HHH).

Use your hammer to tap the MOLDING CONNECTORS (17F) into the notches in the MOLDINGS.



Step 21

- ✚ Carefully place your MOLDINGS onto the TOPS (G2 and H2).
- ✚ Fasten the MOLDINGS (BBB, DDD, and FFF) to the RIGHT TOP (G2) and MOLDINGS (CCC, EEE, GGG, and HHH) to the LEFT TOP (H2). Use twenty-six BLACK 1-1/4" FLAT HEAD SCREWS (7S).
- ✚ NOTE: Do not overtighten the SCREWS into the TOP.



Do not overtighten
the SCREWS (7S).

Step 22



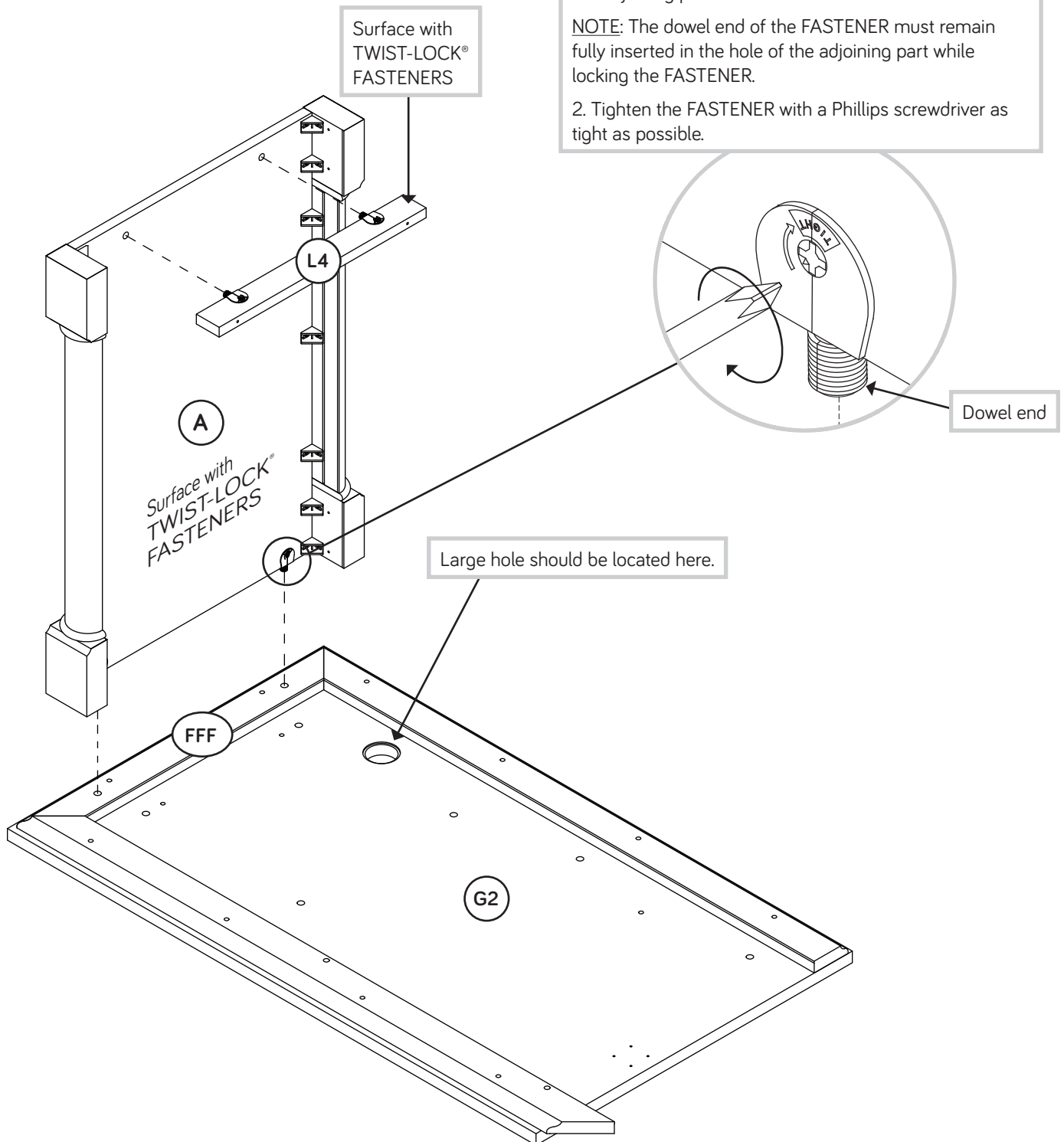
- Fasten the OUTER RIGHT END (A) to the TOP RIGHT SIDE MOLDING (FFF) on the RIGHT TOP (G2). Tighten two TWIST-LOCK® FASTENERS.
- Fasten a SPACER (L4) to the OUTER RIGHT END (A). Tighten two TWIST-LOCK® FASTENERS.

How to use the SAUDER TWIST-LOCK® FASTENER

1. Insert the dowel end of the FASTENER into the hole of the adjoining part.

NOTE: The dowel end of the FASTENER must remain fully inserted in the hole of the adjoining part while locking the FASTENER.

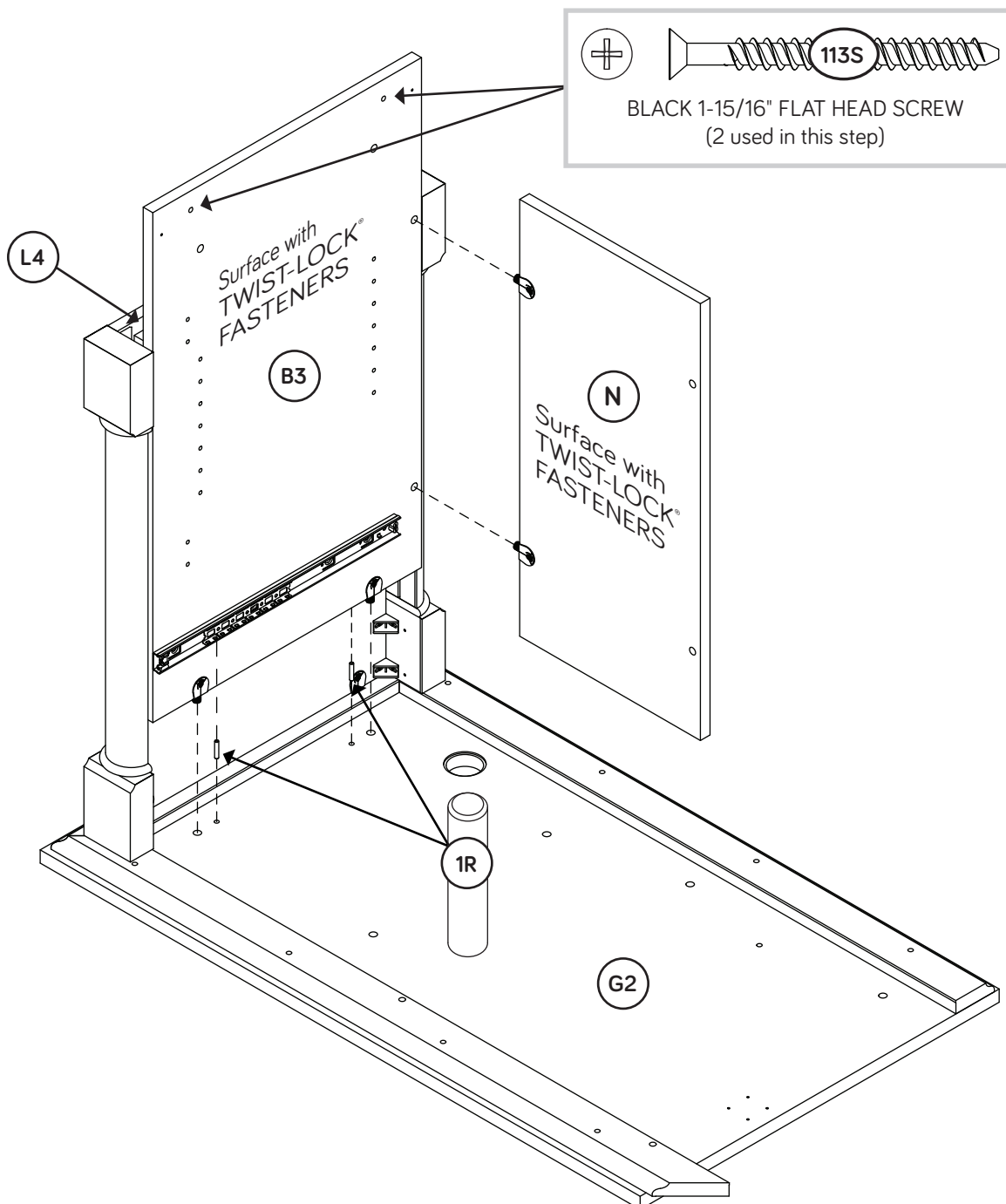
2. Tighten the FASTENER with a Phillips screwdriver as tight as possible.



Step 23



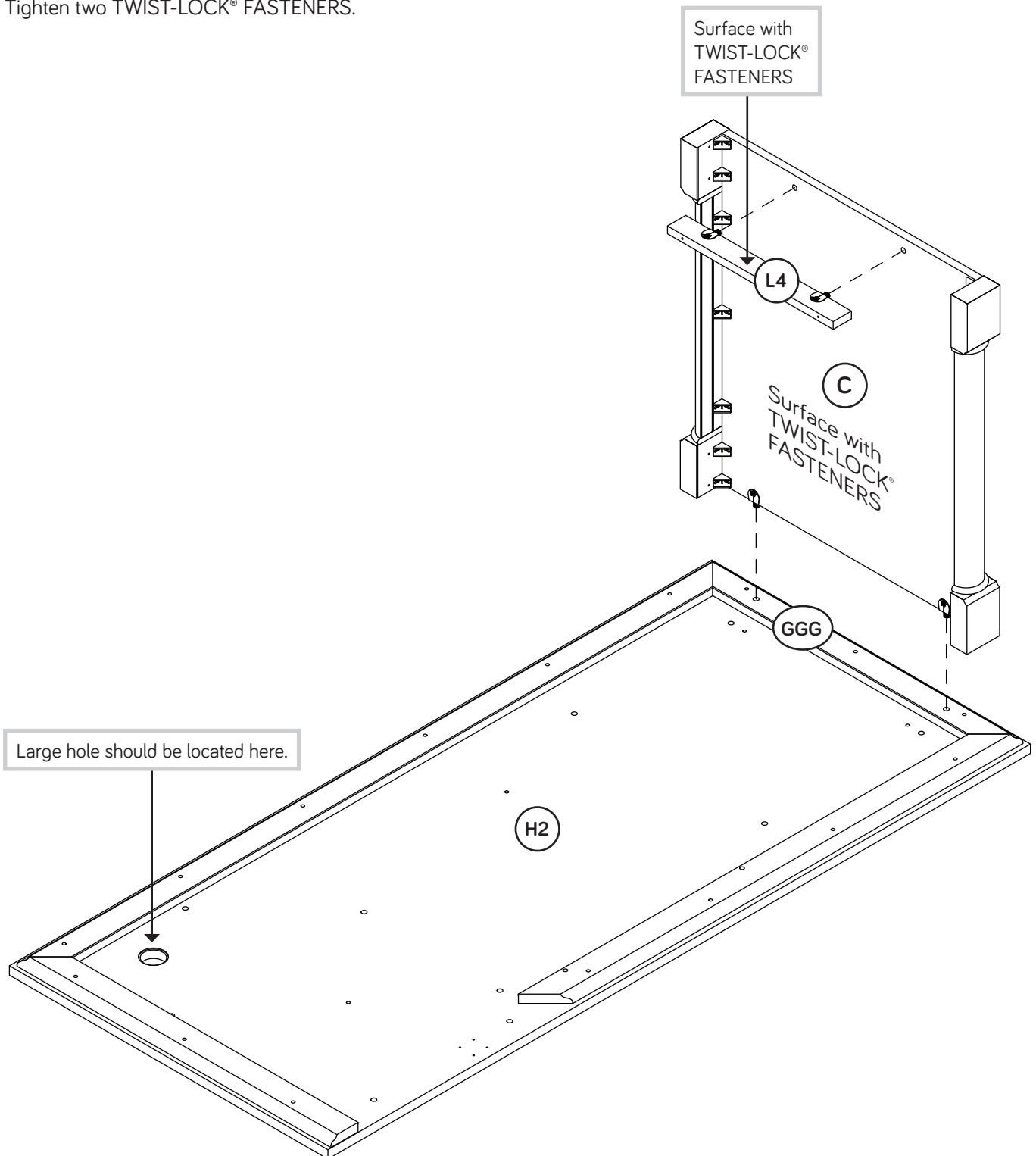
- ✚ Insert two METAL PINS (1R) into the holes in the TOP (G2).
- ✚ Fasten the INNER RIGHT END (B3) to the RIGHT TOP (G2). Tighten two TWIST-LOCK® FASTENERS.
- ✚ NOTE: Be sure the METAL PINS insert into the holes in the INNER RIGHT END (B3).
- ✚ Fasten the INNER RIGHT END (B3) to the SPACER (L4). Use two BLACK 1-15/16" FLAT HEAD SCREWS (113S).
- ✚ Fasten the RIGHT BACK (N) to the INNER RIGHT END (B3). Tighten two TWIST-LOCK® FASTENERS.



Step 24



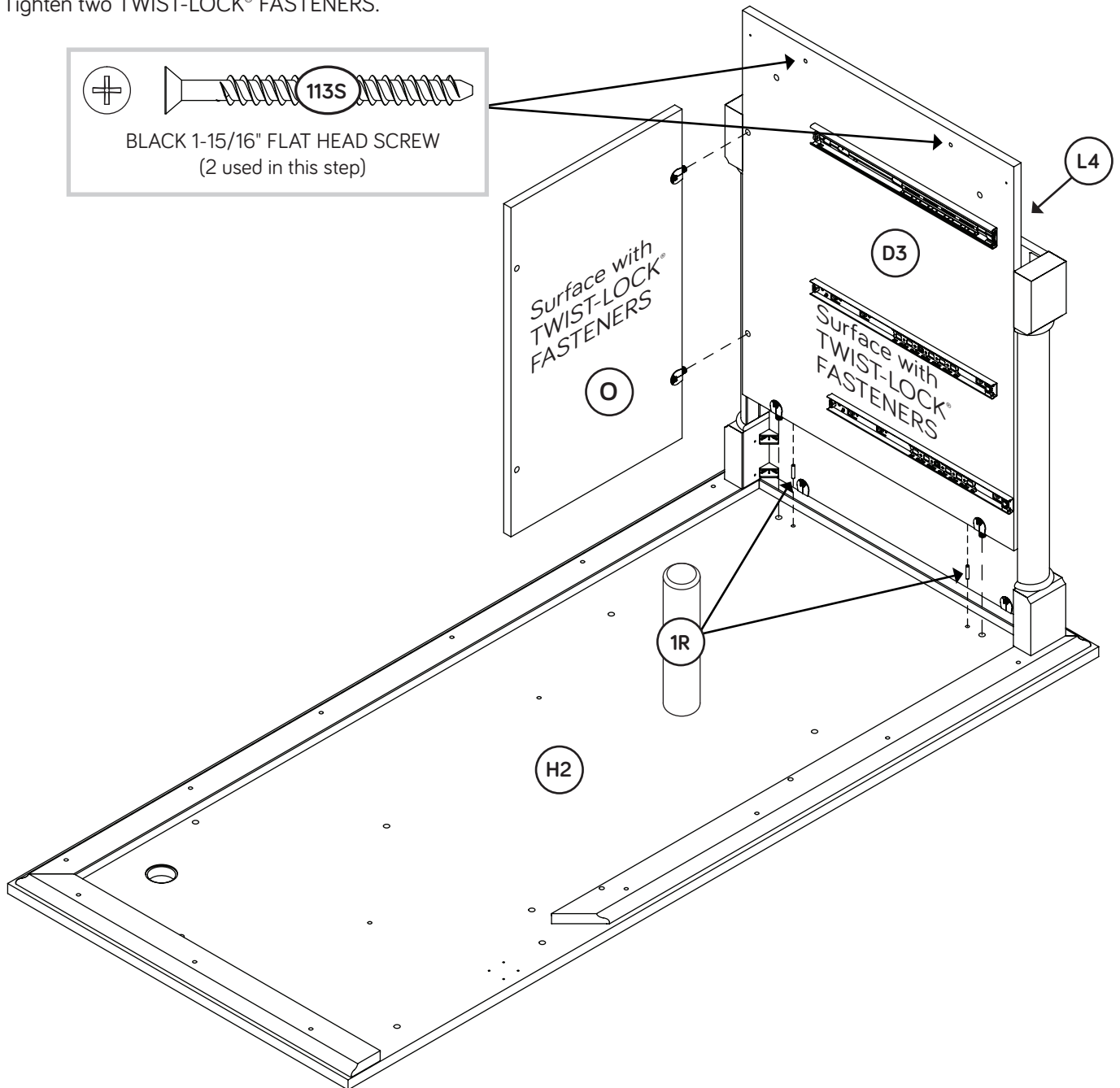
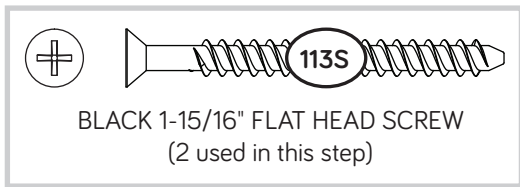
- Fasten the OUTER LEFT END (C) to the TOP LEFT SIDE MOLDING (GGG) on the LEFT TOP (H2). Tighten two TWIST-LOCK® FASTENERS.
- Fasten a SPACER (L4) to the OUTER LEFT END (C). Tighten two TWIST-LOCK® FASTENERS.



Step 25



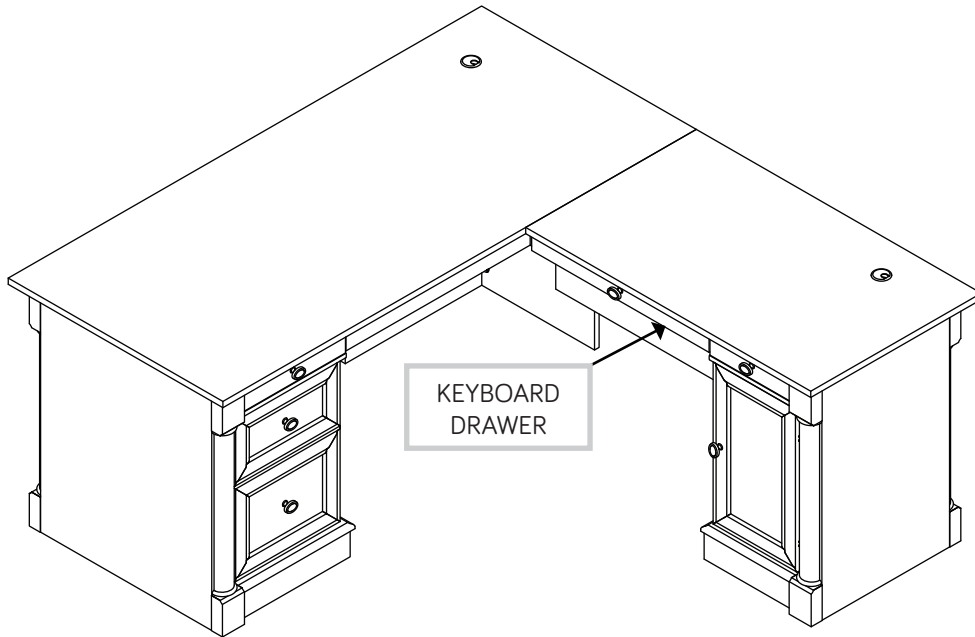
- ✚ Insert two METAL PINS (1R) into the holes in the TOP (H2).
- ✚ Fasten the INNER LEFT END (D3) to the LEFT TOP (H2). Tighten two TWIST-LOCK® FASTENERS.
- ✚ **NOTE:** Be sure the METAL PINS insert into the holes in the INNER LEFT END (D3).
- ✚ Fasten the INNER LEFT END (D3) to the SPACER (L4). Use two BLACK 1-15/16" FLAT HEAD SCREWS (113S).
- ✚ Fasten the LEFT BACK (O) to the INNER LEFT END (D3). Tighten two TWIST-LOCK® FASTENERS.



Step 26

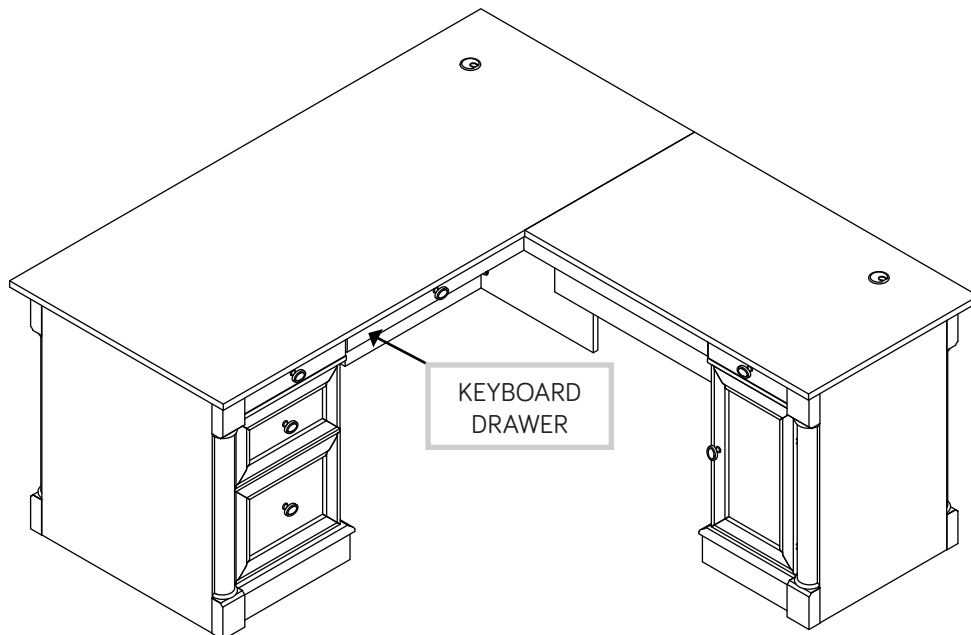
- You have the choice of having your Keyboard Drawer on the right or left side of your Desk. Follow steps 27-42 if you prefer the Keyboard Drawer on the right side of your Desk.

KEYBOARD DRAWER ON RIGHT



- Follow steps 43-58 as shown below if you prefer the Keyboard Drawer on the left side of your Desk.

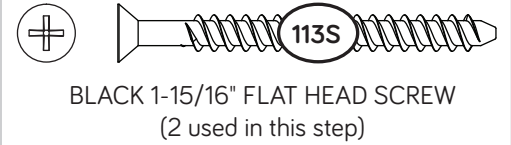
KEYBOARD DRAWER ON LEFT



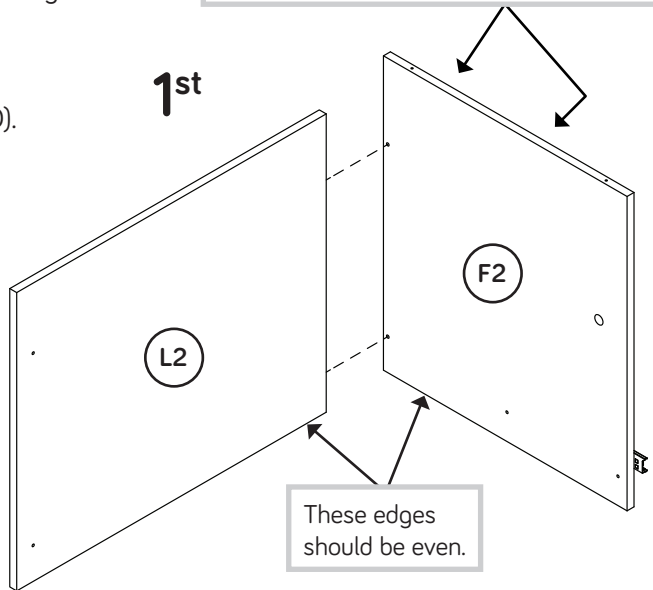
Step 27

- Fasten the LEFT MODESTY PANEL (L2) to the LEFT UPRIGHT (F2). Use two BLACK 1-15/16" FLAT HEAD SCREWS (113S).
- Insert the dowel end of four TWIST-LOCK® FASTENERS (7F) into the large holes in the LEFT TOP (H2) and LEFT BACK (O).
- NOTE:** If you already pushed TWIST-LOCK® FASTENERS into the large holes in the LEFT UPRIGHT (F2), pull the FASTENERS back out of the holes. Pull at the front and back edges, slowly working the FASTENERS out of the holes.
- Push the LEFT UPRIGHT (F2) onto the TWIST-LOCK® FASTENERS (7F) in the LEFT TOP (H2) and LEFT BACK (O). Tighten four TWIST-LOCK® FASTENERS.

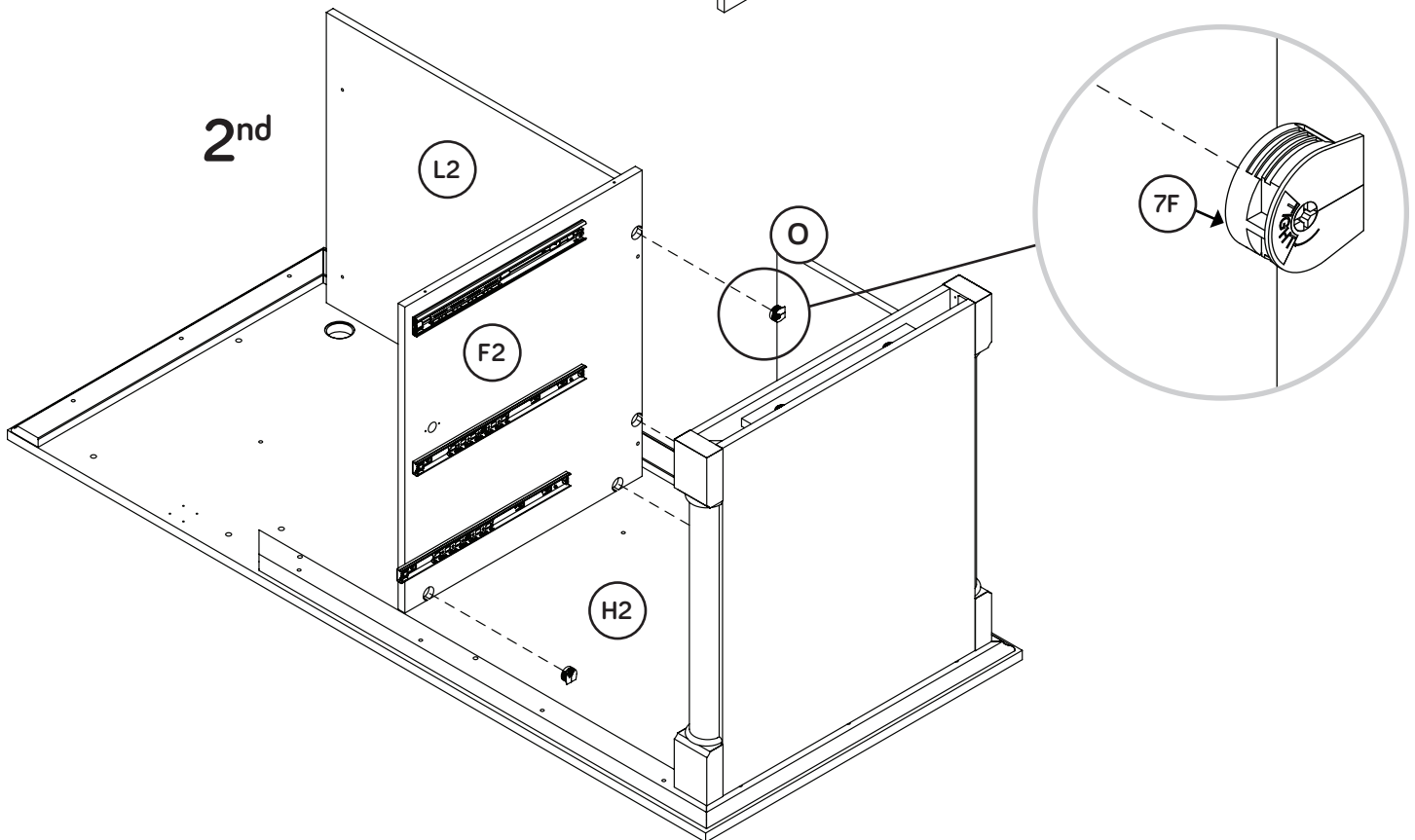
KEYBOARD DRAWER ON RIGHT



1st



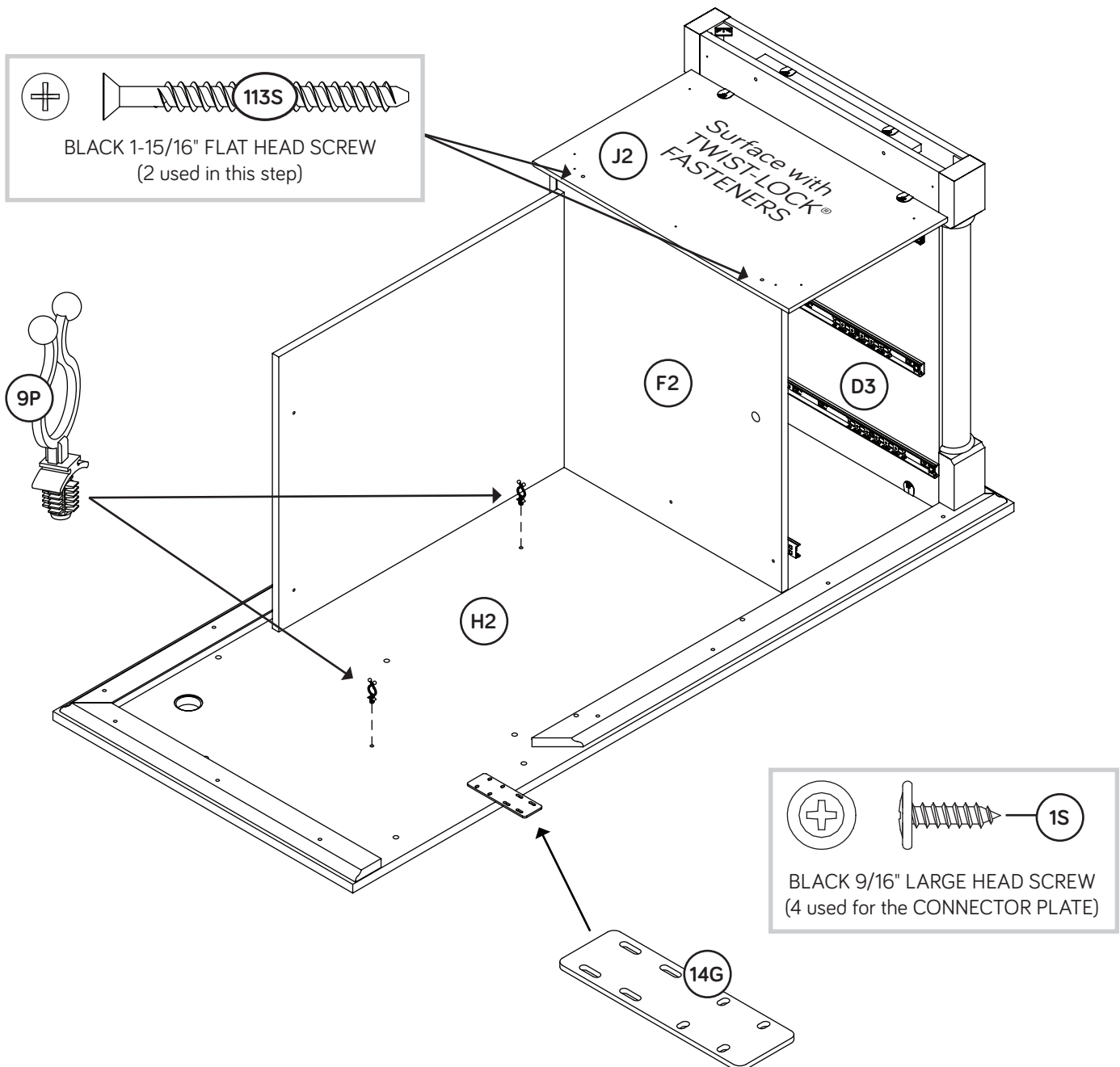
2nd



Step 28

KEYBOARD DRAWER ON RIGHT

- Fasten the LEFT BOTTOM (J2) to the INNER LEFT END (D3).
Tighten two TWIST-LOCK® FASTENERS.
- Fasten the LEFT BOTTOM (J2) to the LEFT UPRIGHT (F2). Use two
BLACK 1-15/16" FLAT HEAD SCREWS (113S).
- Fasten the CONNECTOR PLATE (14G) to the LEFT TOP (H2). Use
four BLACK 9/16" LARGE HEAD SCREWS (1S).
- Push two CORD CLIPS (9P) into the holes in the LEFT TOP (H2).
- NOTE:** The CORD CLIPS are used to manage your cords.

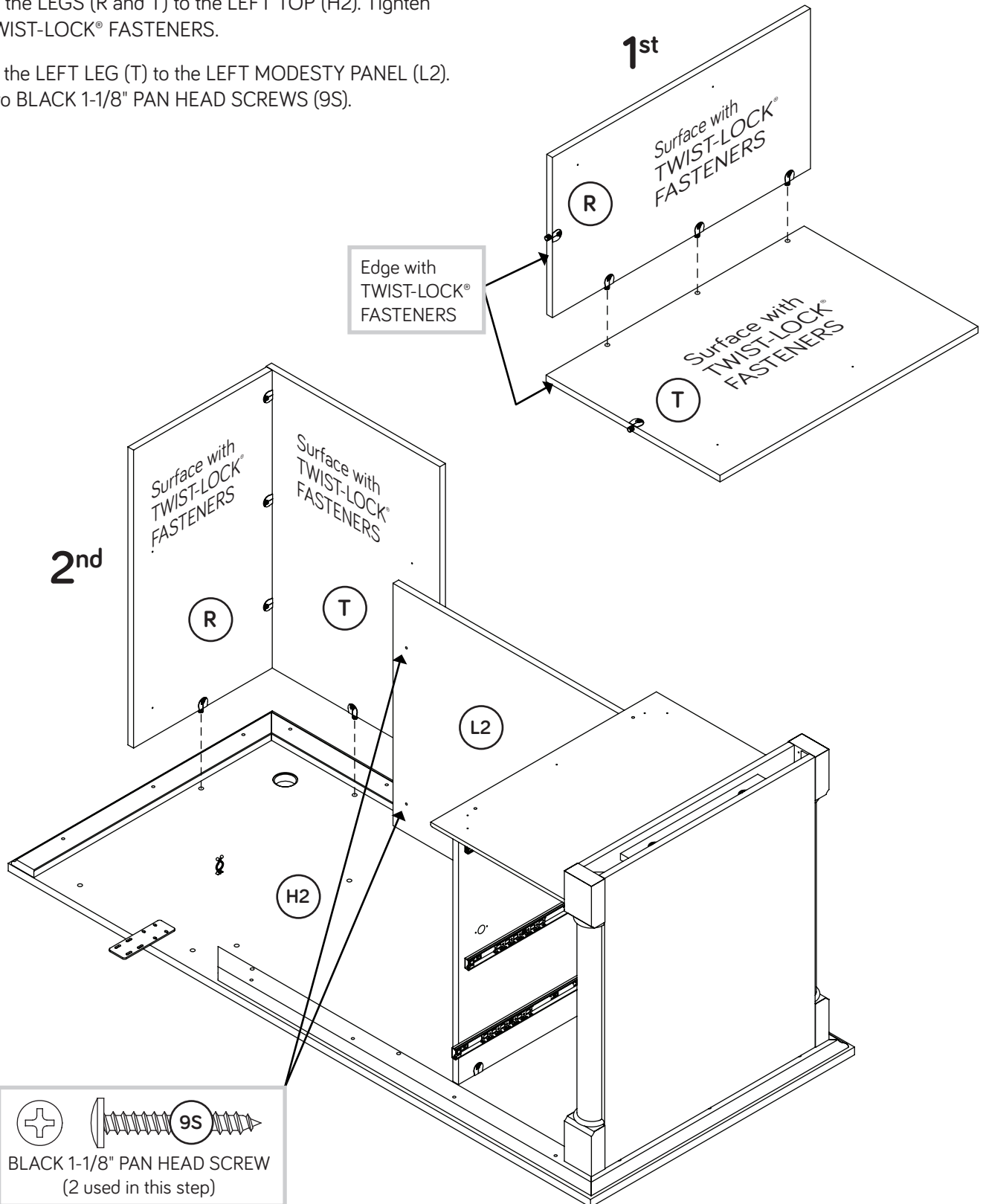


Step 29



- Fasten the RIGHT LEG (R) to the LEFT LEG (T). Tighten three TWIST-LOCK® FASTENERS.
- Fasten the LEGS (R and T) to the LEFT TOP (H2). Tighten two TWIST-LOCK® FASTENERS.
- Fasten the LEFT LEG (T) to the LEFT MODESTY PANEL (L2). Use two BLACK 1-1/8" PAN HEAD SCREWS (9S).

KEYBOARD DRAWER
ON RIGHT



Step 30

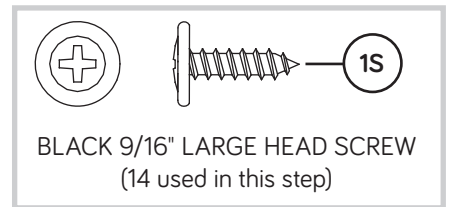
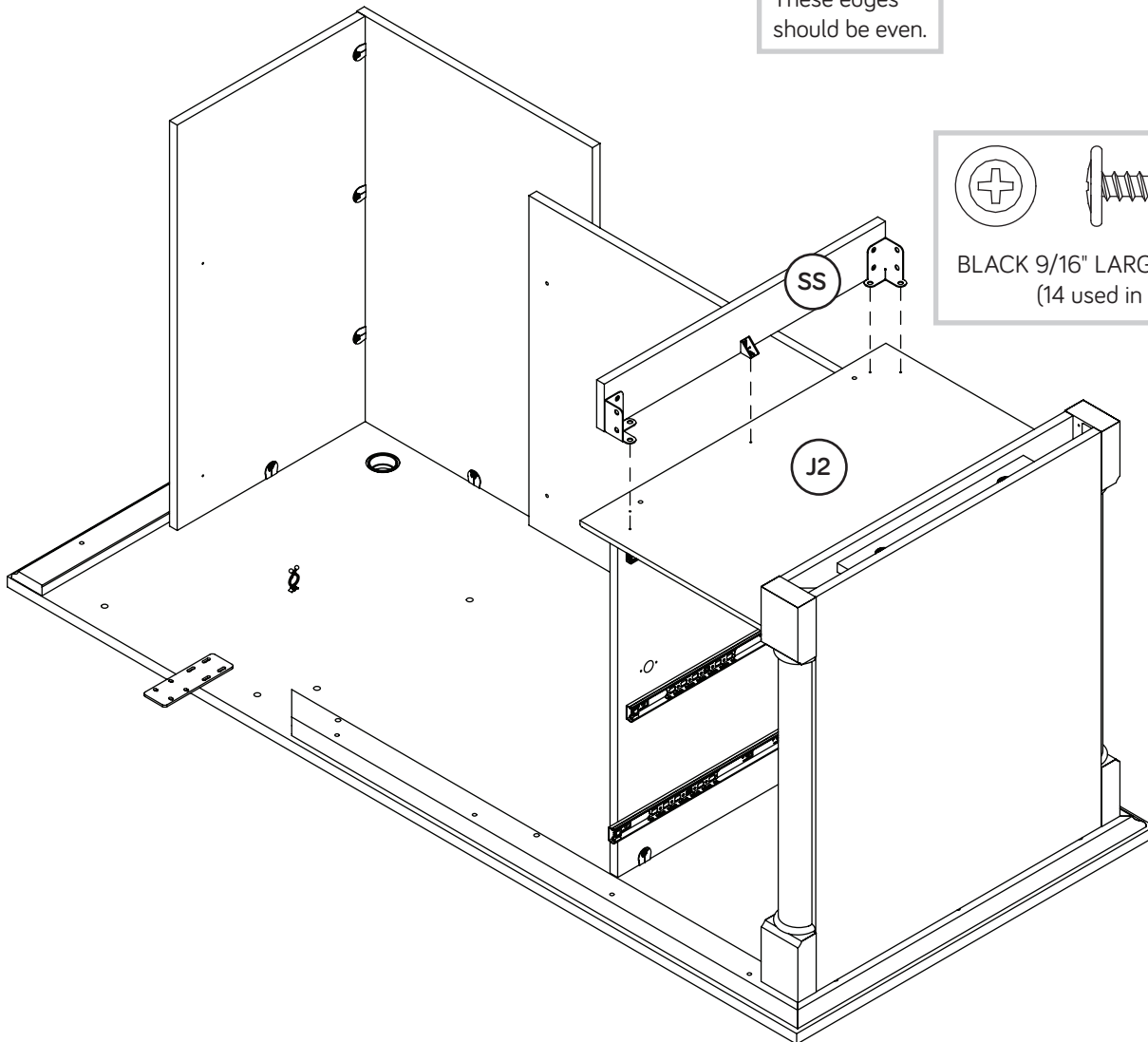
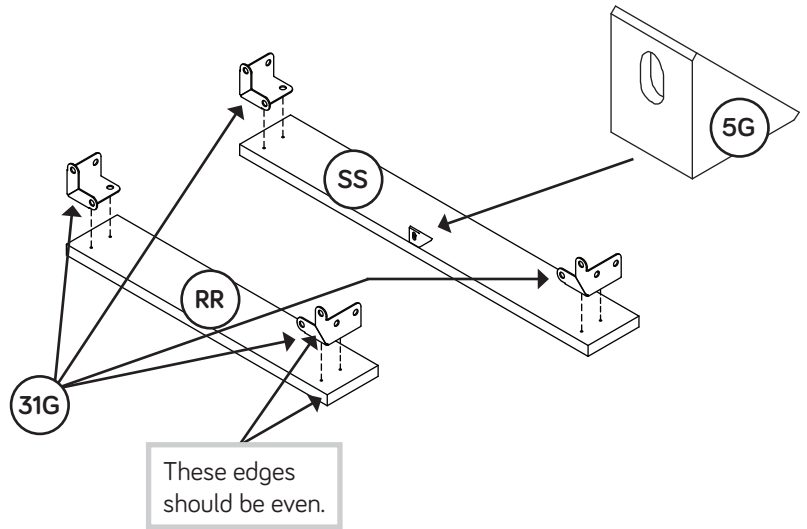
Fasten the CORNER BRACKETS (31G) to the SIDE SKIRTS (RR and SS). Use eight BLACK 9/16" LARGE HEAD SCREWS (1S).

Fasten an ANGLE BRACKET (5G) to the LEFT SIDE SKIRT (SS). Use a BLACK 9/16" LARGE HEAD SCREW (1S).

NOTE: Be sure the edge of the ANGLE BRACKET is even with the edge of the LEFT SIDE SKIRT.

Fasten the LEFT SIDE SKIRT (SS) to the LEFT BOTTOM (J2). Use five BLACK 9/16" LARGE HEAD SCREWS (1S) through the holes in the BRACKETS and into the holes in the LEFT BOTTOM.

KEYBOARD DRAWER
ON RIGHT



Step 31

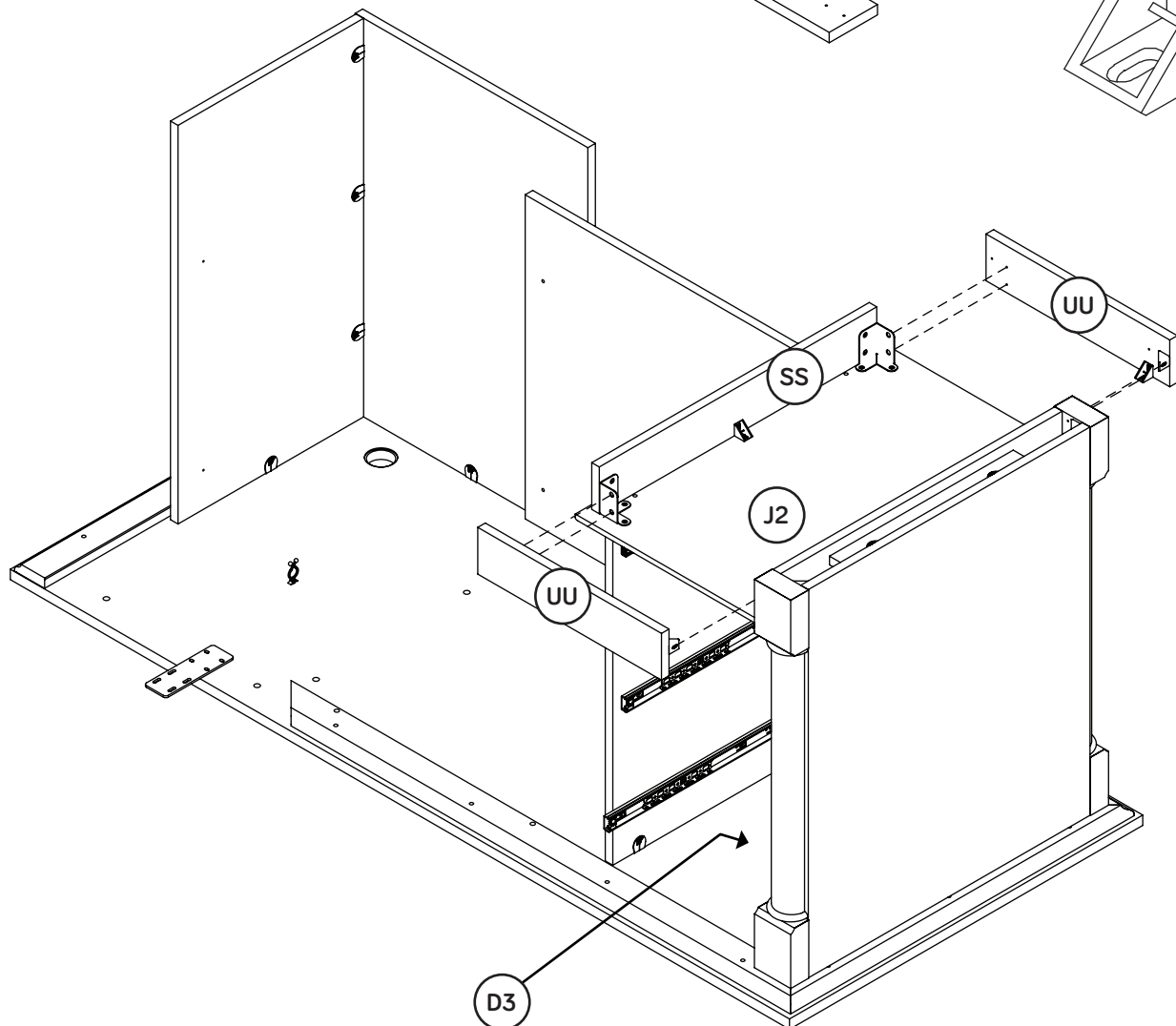
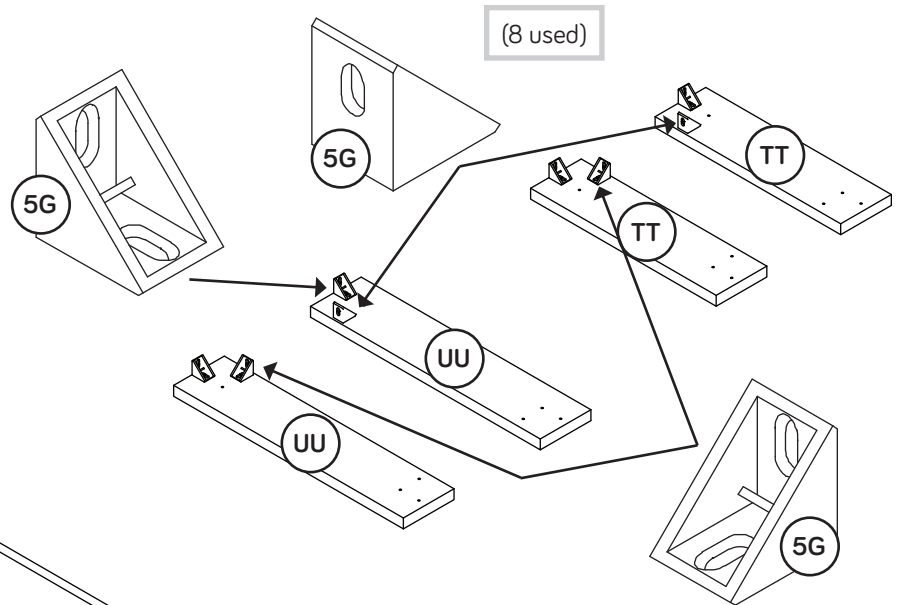
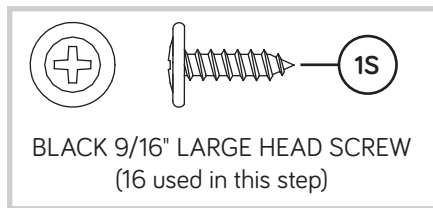


Fasten eight ANGLE BRACKETS (5G) to the BACK SKIRTS (TT and UU). Use eight BLACK 9/16" LARGE HEAD SCREWS (1S).

KEYBOARD DRAWER
ON RIGHT

NOTE: Be sure the ANGLE BRACKETS are even with the edges of the BACK SKIRTS.

Fasten the LEFT BACK SKIRTS (UU) to the INNER LEFT END (D3), LEFT BOTTOM (J2), and LEFT SIDE SKIRT (SS). Use eight BLACK 9/16" LARGE HEAD SCREWS (1S).

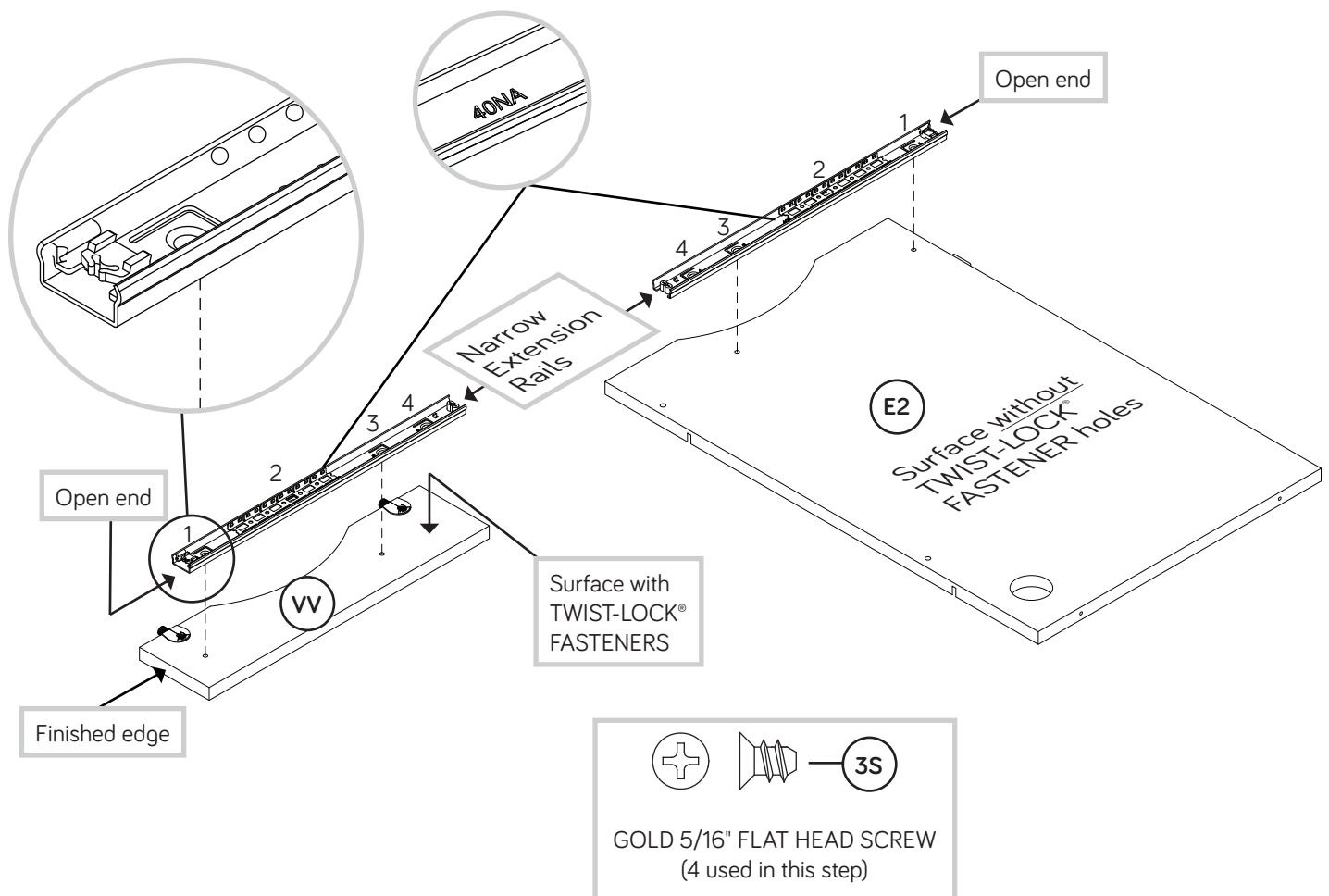


Step 32

KEYBOARD DRAWER ON RIGHT

✚ Fasten the NARROW EXTENSION RAILS (40NA) to the other surface of the RIGHT UPRIGHT (E2) and KEYBOARD UPRIGHT (VV). Use four GOLD 5/16" FLAT HEAD SCREWS (3S) through holes #1 and #3.

✚ **NOTE:** For each EXTENSION RAIL, turn a SCREW into the hole shown in the enlarged diagram. Then, slide the inner cartridge of the EXTENSION RAIL in to find the other hole that lines up with the holes in the UPRIGHTS. Turn a SCREW into this hole.



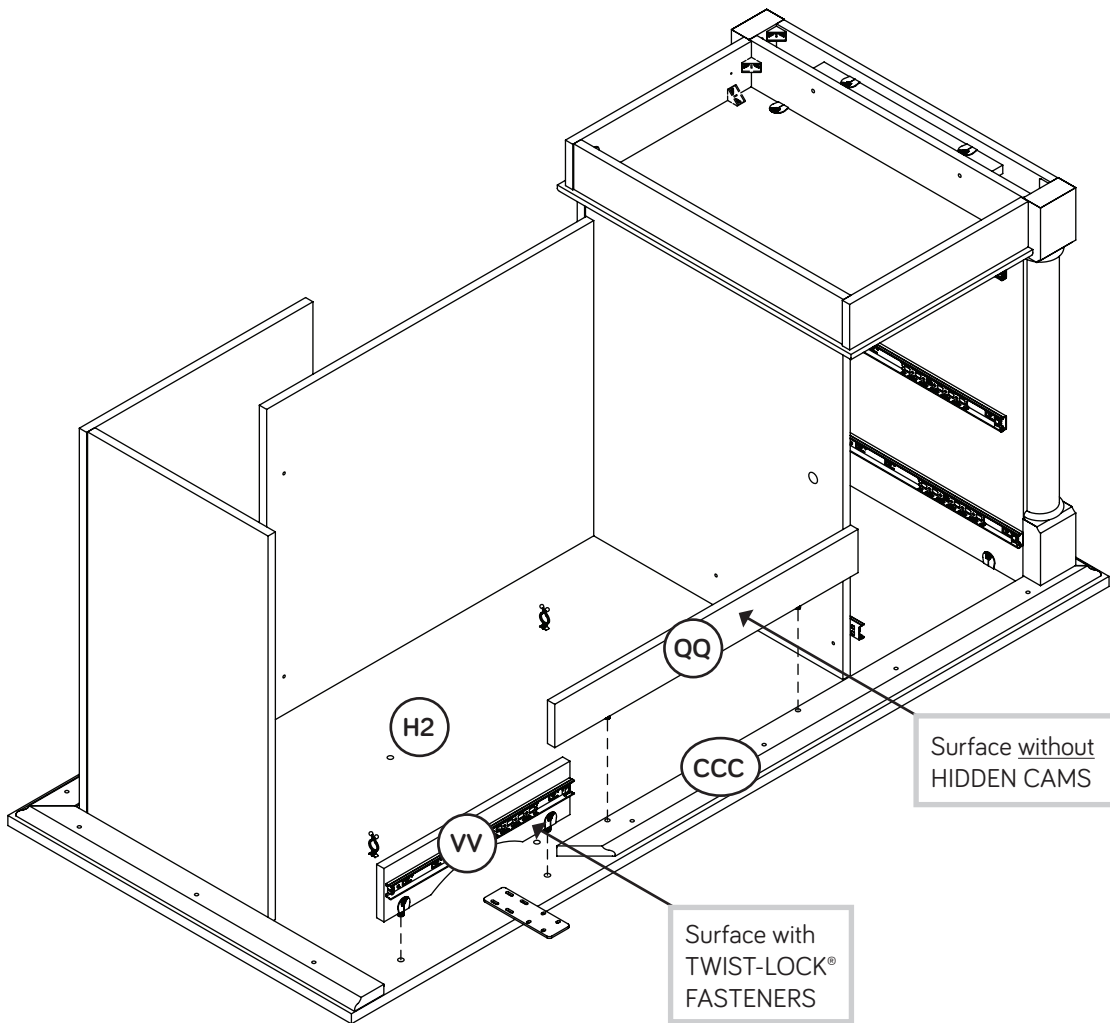
Step 33



Fasten the FRONT PANEL (QQ) to the TOP LEFT FRONT MOLDING (CCC) on the LEFT TOP (H2). Tighten two HIDDEN CAMS.

KEYBOARD DRAWER ON RIGHT

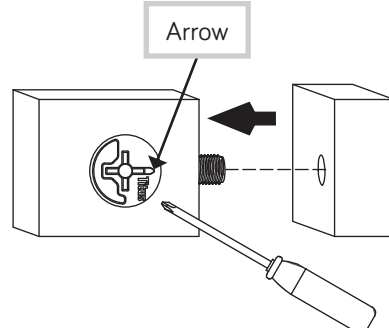
Fasten the KEYBOARD UPRIGHT (VV) to the LEFT TOP (H2). Tighten two TWIST-LOCK® FASTENERS.



⚠ Caution

Risk of damage or injury. HIDDEN CAMS must be completely tightened. HIDDEN CAMS that are not completely tightened may loosen, and parts may separate. To completely tighten:

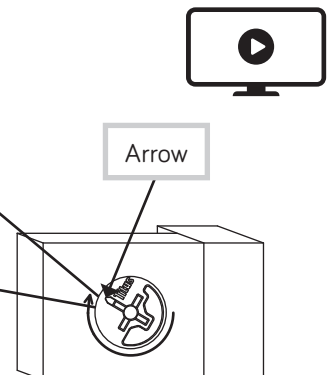
Start



Tighten

Maximum 210 degrees

Minimum 190 degrees



Step 34

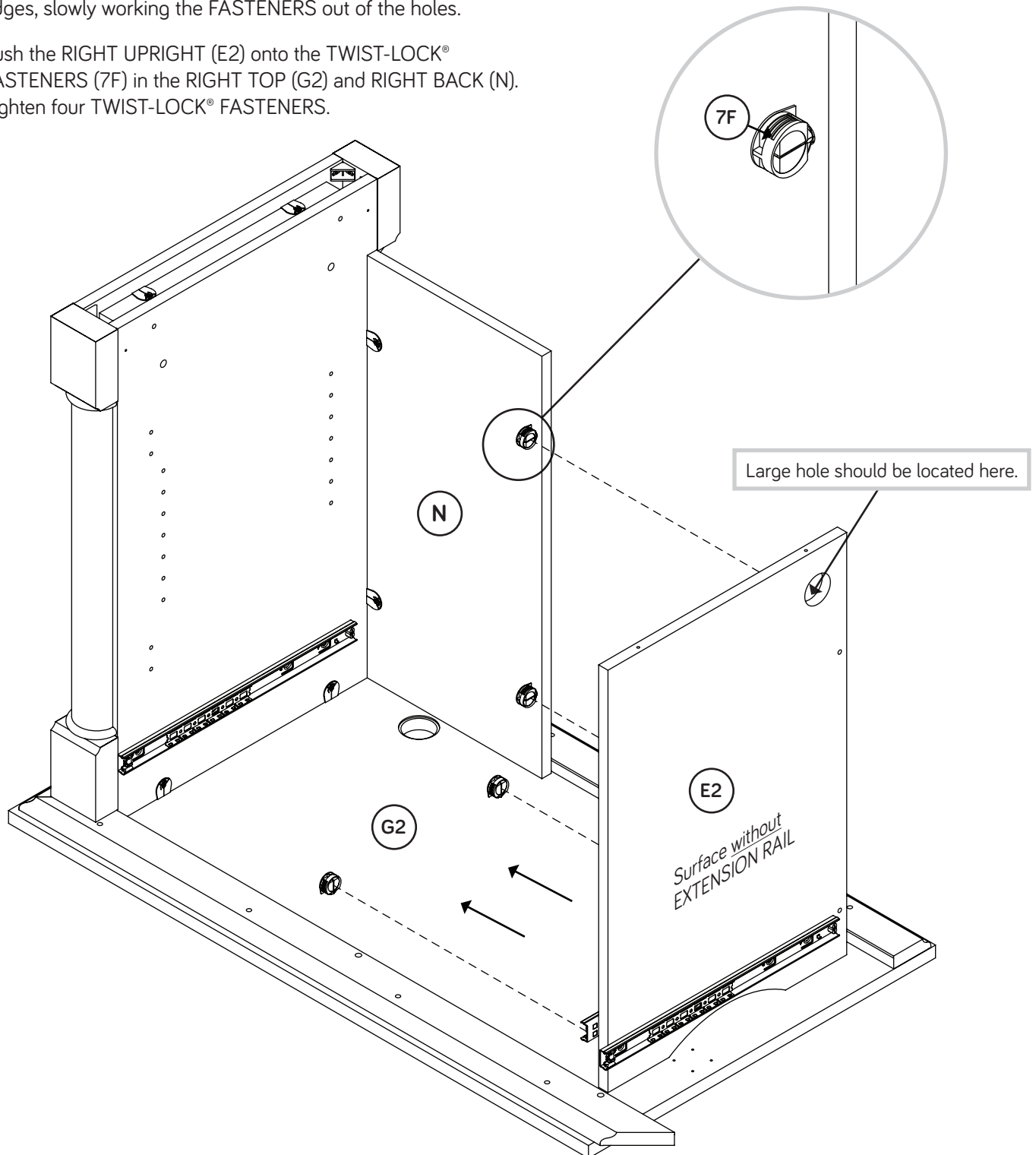


✚ Insert the dowel end of four TWIST-LOCK® FASTENERS (7F) into the large holes in the RIGHT TOP (G2) and RIGHT BACK (N).

KEYBOARD DRAWER
ON RIGHT

✚ **NOTE:** If you already pushed TWIST-LOCK® FASTENERS into the large holes in the RIGHT UPRIGHT (E2), pull the FASTENERS back out of the holes. Pull at the front and back edges, slowly working the FASTENERS out of the holes.

✚ Push the RIGHT UPRIGHT (E2) onto the TWIST-LOCK® FASTENERS (7F) in the RIGHT TOP (G2) and RIGHT BACK (N). Tighten four TWIST-LOCK® FASTENERS.



Step 35



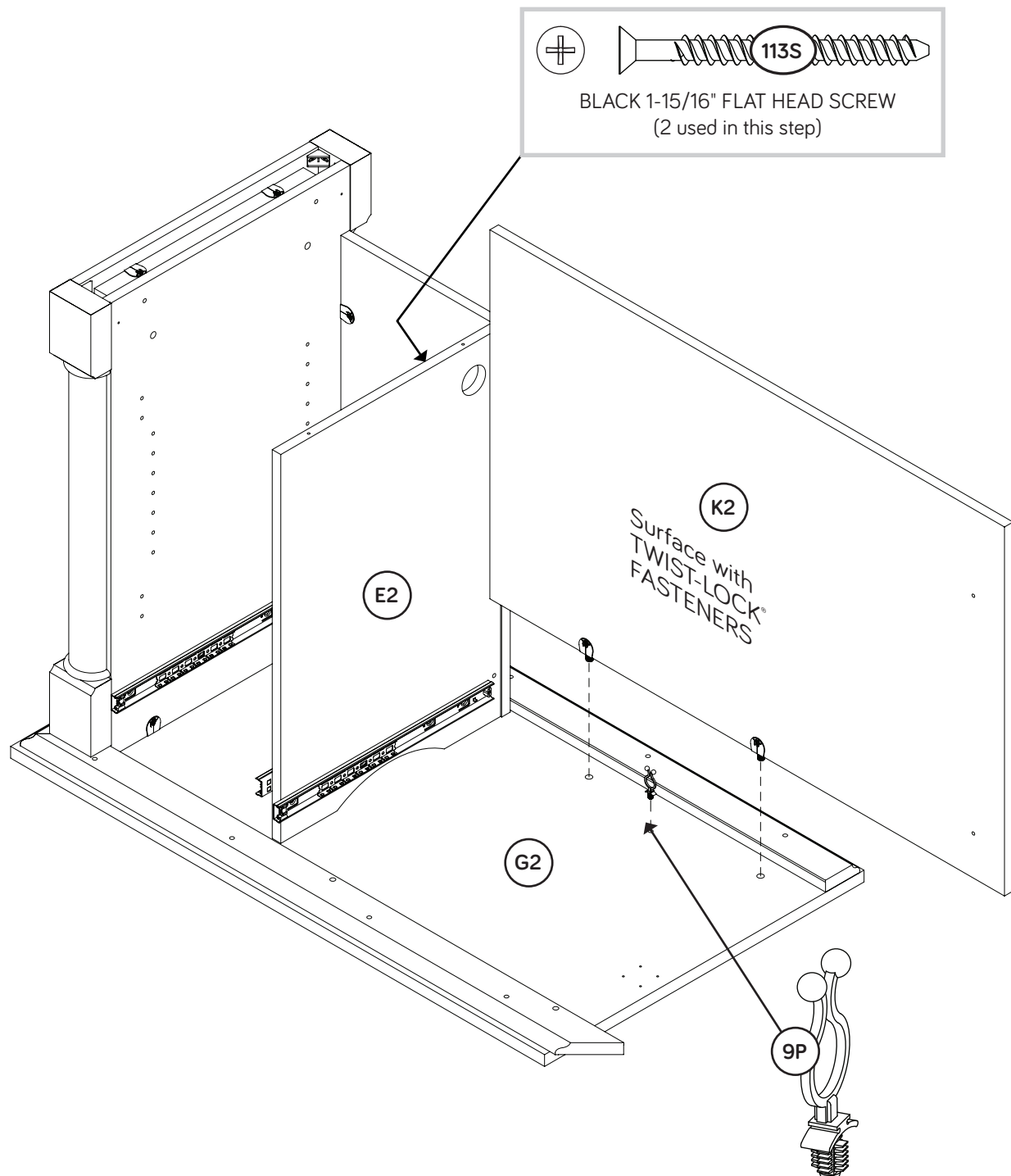
Fasten the RIGHT MODESTY PANEL (K2) to the RIGHT TOP (G2).
Tighten two TWIST-LOCK® FASTENERS.

KEYBOARD DRAWER
ON RIGHT

Fasten the RIGHT MODESTY PANEL (K2) to the RIGHT UPRIGHT (E2).
Use two BLACK 1-15/16" FLAT HEAD SCREWS (113S).

Push a CORD CLIP (9P) into the hole in the RIGHT TOP (G2).

NOTE: The CORD CLIP is used to manage your cords.



Step 36

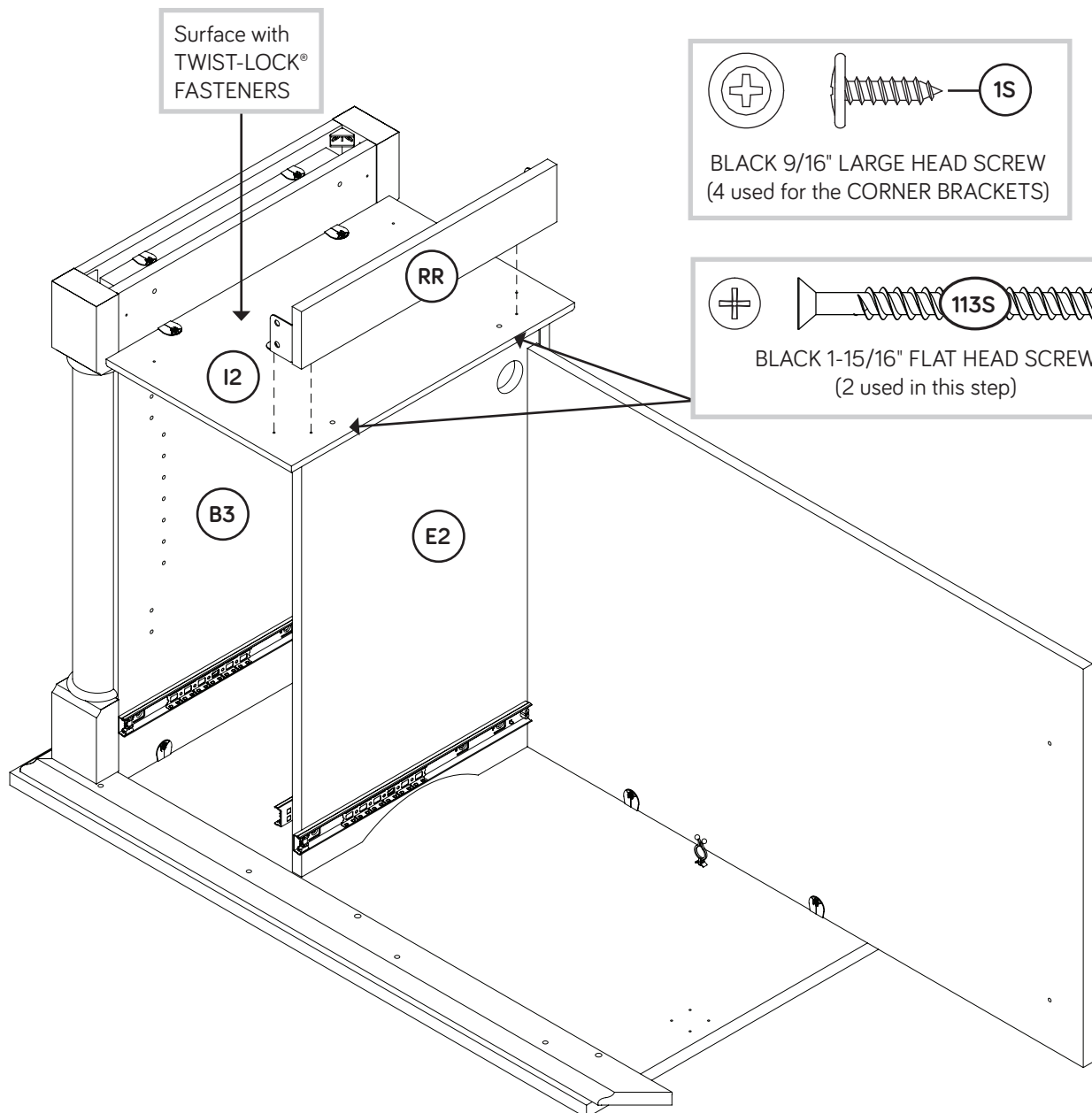


- Fasten the RIGHT BOTTOM (I2) to the INNER RIGHT END (B3). Tighten two TWIST-LOCK® FASTENERS.
- Fasten the RIGHT BOTTOM (I2) to the RIGHT UPRIGHT (E2). Use two BLACK 1-15/16" FLAT HEAD SCREWS (113S).
- Fasten the RIGHT SIDE SKIRT (RR) to the RIGHT BOTTOM (I2). Use four BLACK 9/16" LARGE HEAD SCREWS (1S) through the holes in the BRACKETS and into the holes in the RIGHT BOTTOM.

KEYBOARD DRAWER ON RIGHT



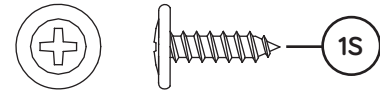
Don't worry. It isn't Rome. This can be built in a day.



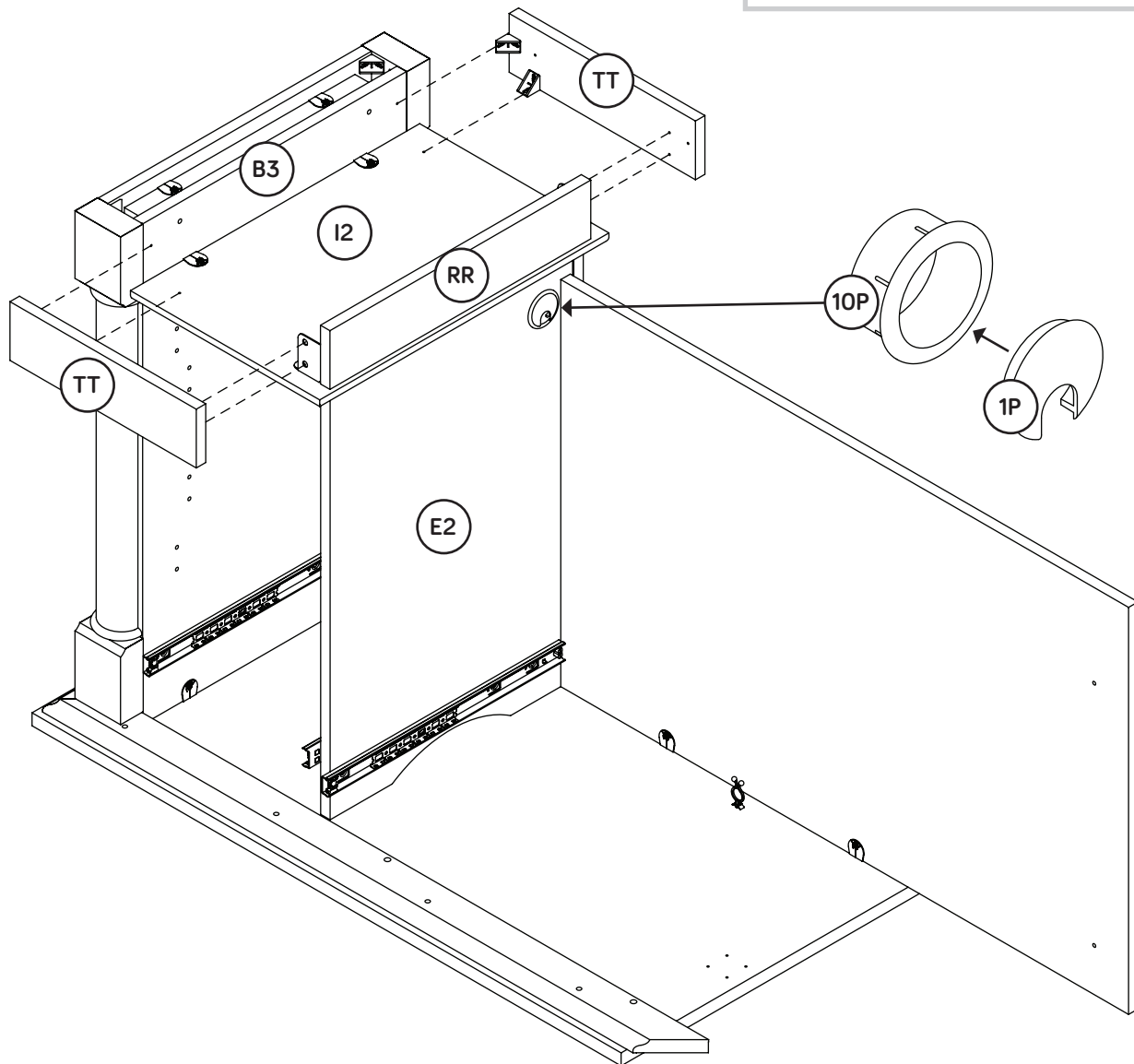
Step 37

- Fasten the RIGHT BACK SKIRTS (TT) to the INNER RIGHT END (B3), RIGHT BOTTOM (I2), and RIGHT SIDE SKIRT (RR). Use eight BLACK 9/16" LARGE HEAD SCREWS (1S).
- Insert a GROMMET (10P) and GROMMET CAP (1P) into the large hole in the RIGHT UPRIGHT (E2).

KEYBOARD DRAWER
ON RIGHT



BLACK 9/16" LARGE HEAD SCREW
(8 used in this step)



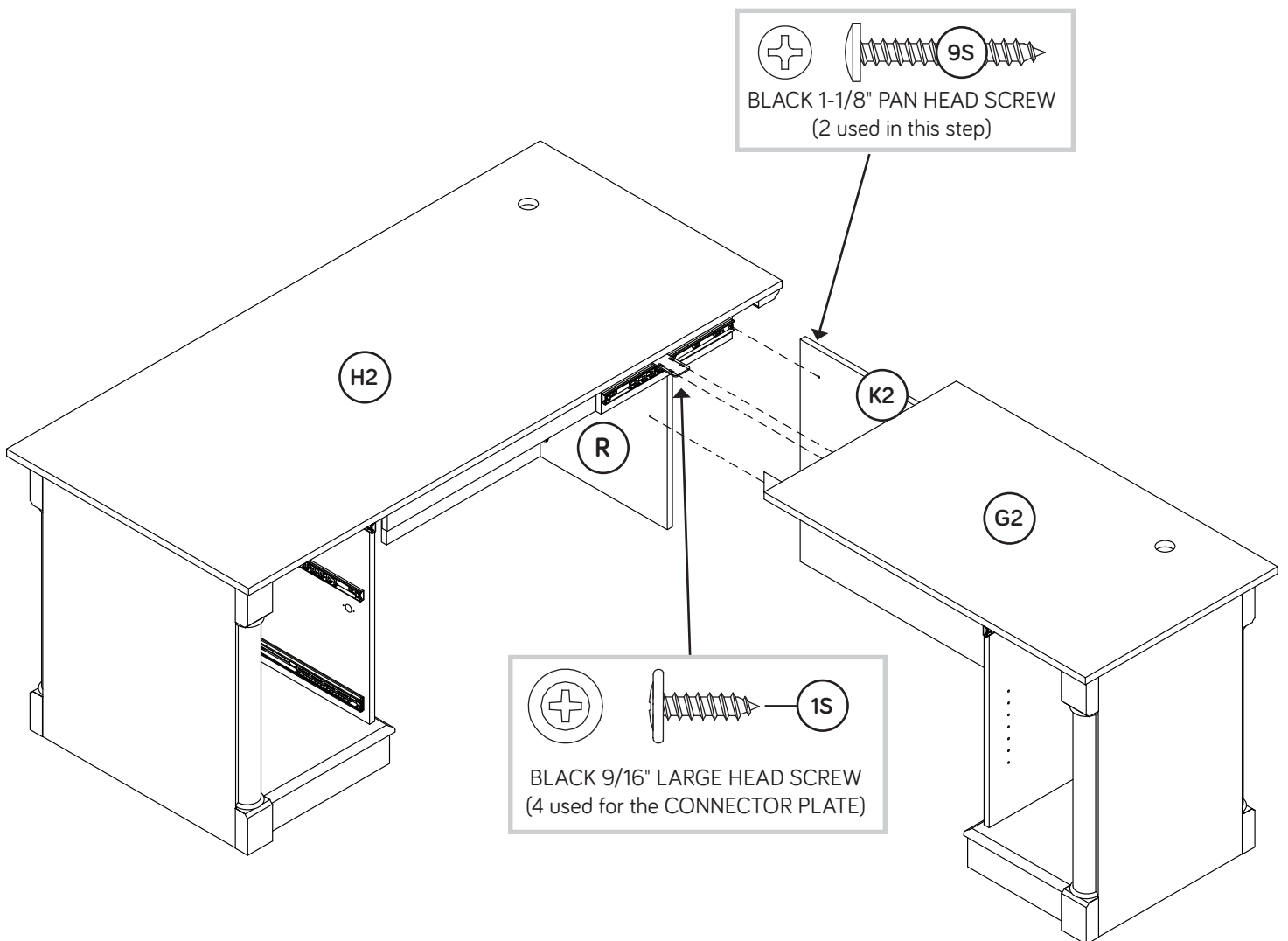
Step 38

- ⚠ You may need someone's help in this step.
- ⚠ Carefully stand your unit upright.
- ⚠ Fasten the CONNECTOR PLATE on the LEFT TOP (H2) to the RIGHT TOP (G2). Use four BLACK 9/16" LARGE HEAD SCREWS (1S).
- ⚠ Fasten the RIGHT LEG (R) to the RIGHT MODESTY PANEL (K2). Use two BLACK 1-1/8" PAN HEAD SCREWS (9S).

KEYBOARD DRAWER
ON RIGHT



If you're doing this to help a friend, don't leave without a bite.

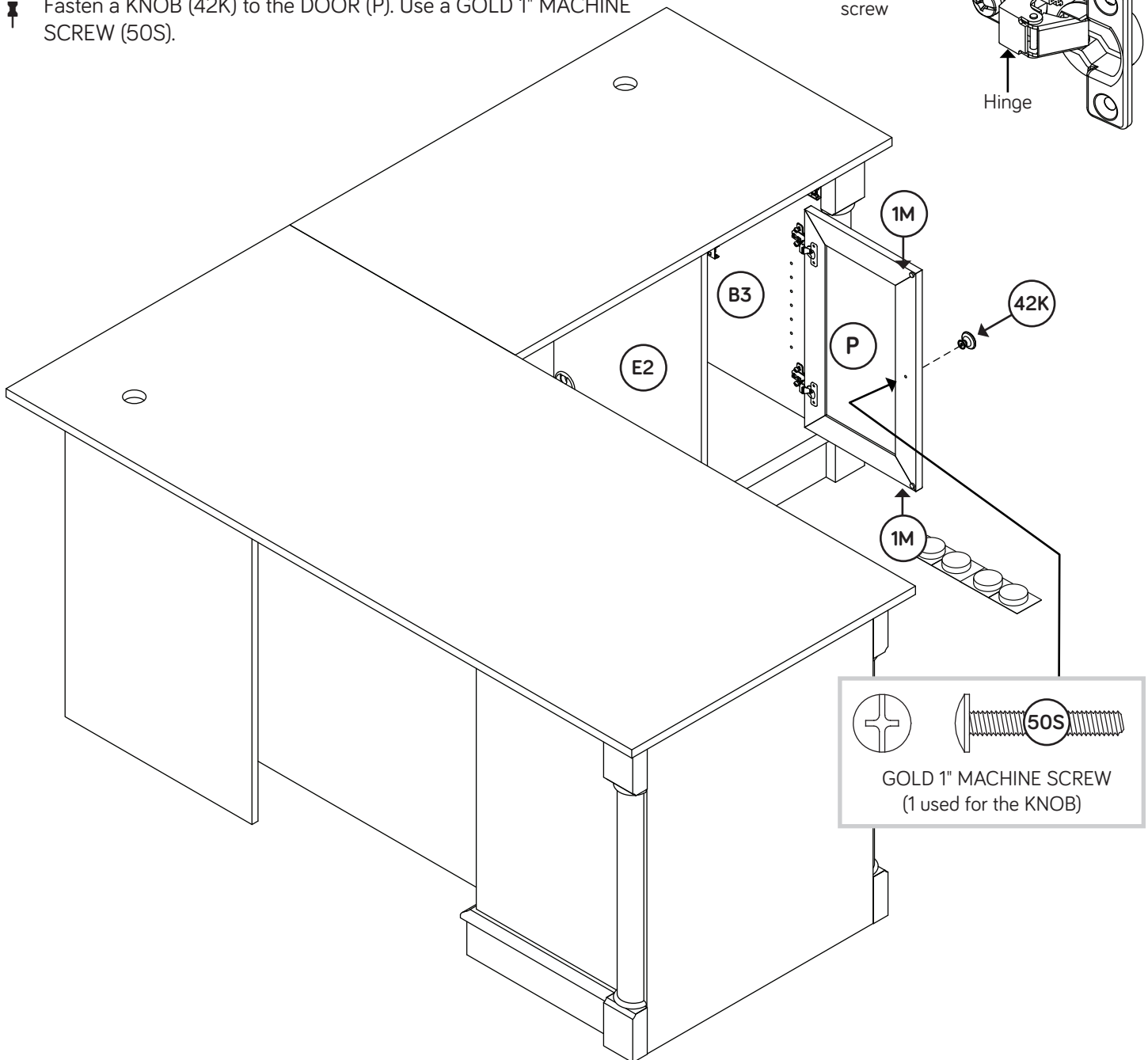
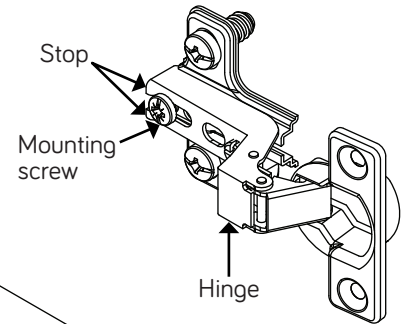


Step 39



- ⚡ Before fastening the DOOR to your unit, be sure the mounting screw is against the stops as shown in the right diagram. If it isn't, loosen the mounting screw to slide it against the stops. Then tighten the mounting screw.
- ⚡ Fasten the DOOR (P) to the INNER RIGHT END (B3). Use the screws in the HINGES. See the next step for door adjustments.
- ⚡ Peel a FELT DISC from the FELT DISC CARD (1M) and stick it on the DOOR where it comes in contact with the RIGHT UPRIGHT (E2).
- ⚡ Fasten a KNOB (42K) to the DOOR (P). Use a GOLD 1" MACHINE SCREW (50S).

KEYBOARD DRAWER ON RIGHT



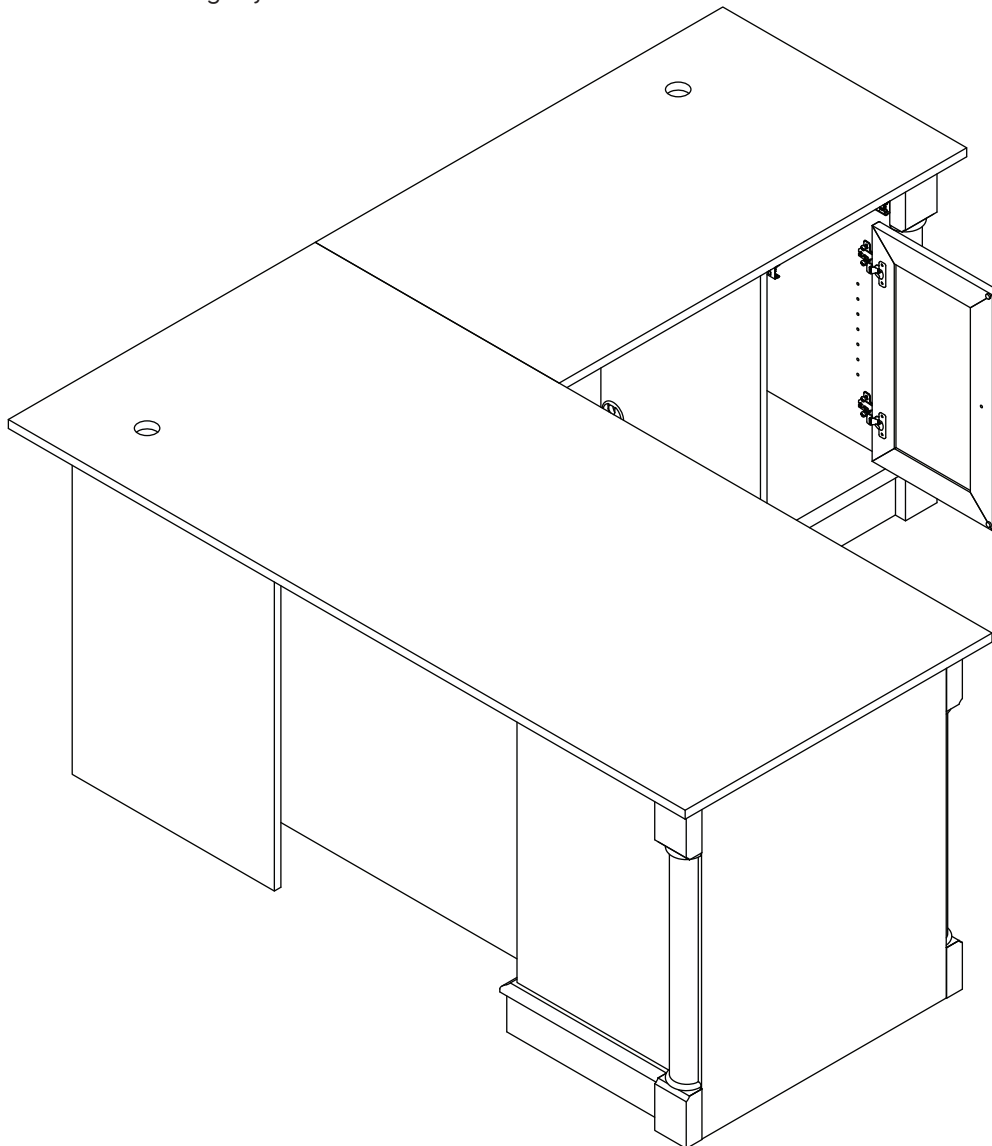
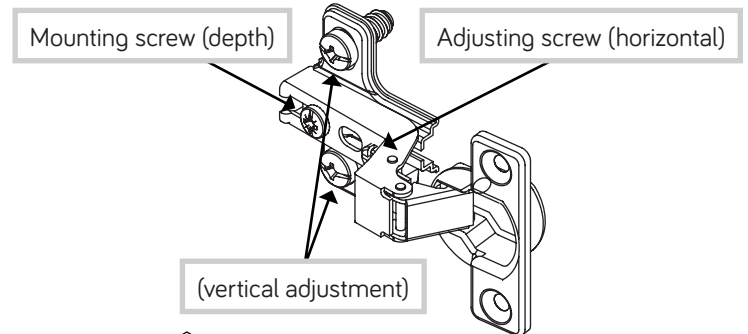
GOLD 1" MACHINE SCREW
(1 used for the KNOB)

Step 40



- Refer to the enlarged diagram to identify the parts on the HINGES.
- The DOOR may need some adjustments. Follow the text below to make needed adjustments.
- DOOR ADJUSTMENTS:**
 - To adjust the DOOR from side to side (horizontal), turn the adjusting screw in or out.
 - To adjust the DOOR up and down (vertical), loosen both vertical adjustment screws. Move the DOOR up or down to the desired location. Tighten the screws after making adjustments.
 - To adjust the DOOR in or out (depth), loosen the mounting screw one turn and move the DOOR in or out, as needed. Tighten the mounting screw after making adjustments.

KEYBOARD DRAWER
ON RIGHT

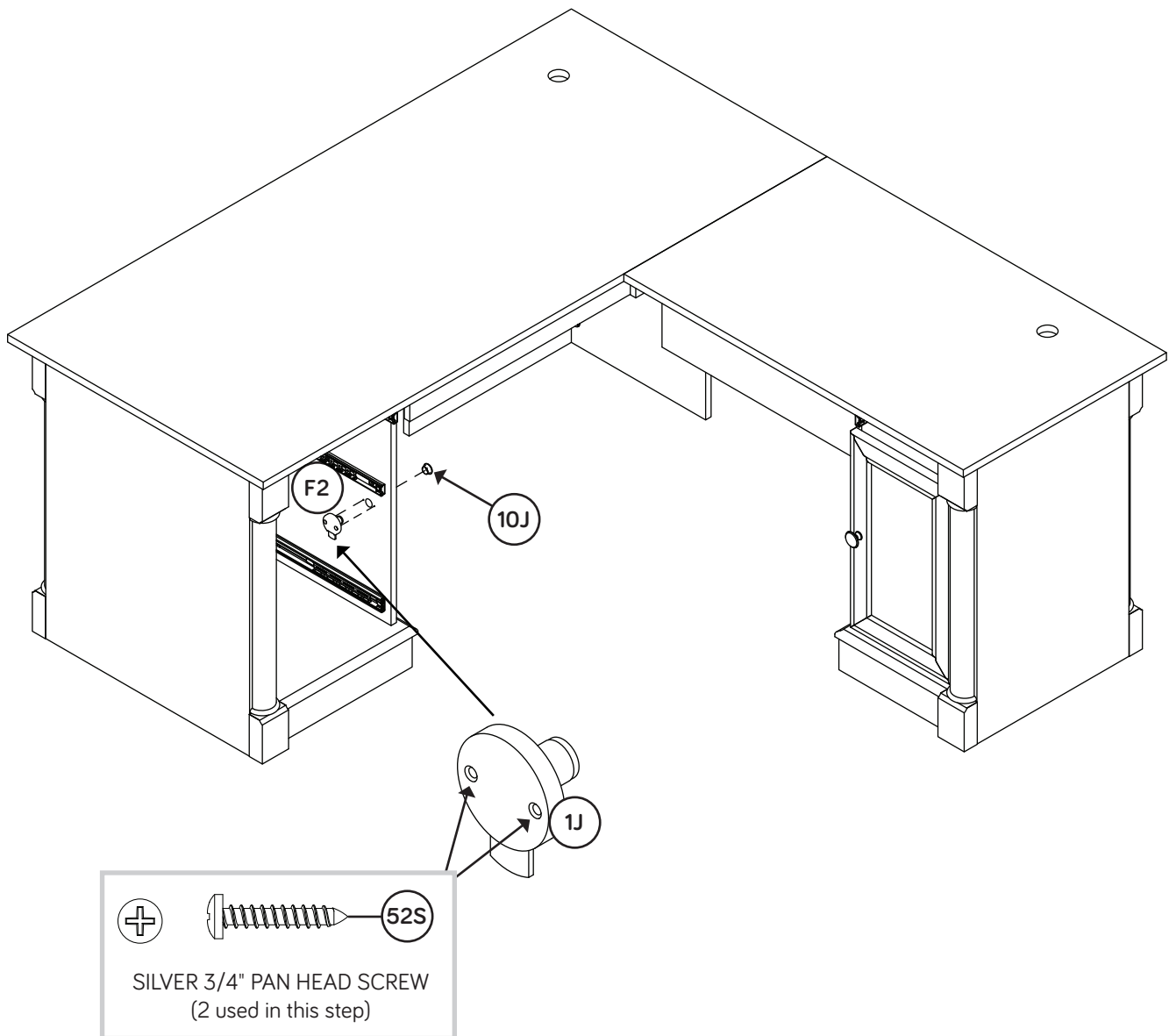


Step 41

⚡ Fasten the LOCK (1J) to the LEFT UPRIGHT (F2). Use two SILVER 3/4" PAN HEAD SCREWS (52S).

⚡ Push the LOCK COVER (10J) over the LOCK (1J).

KEYBOARD DRAWER
ON RIGHT

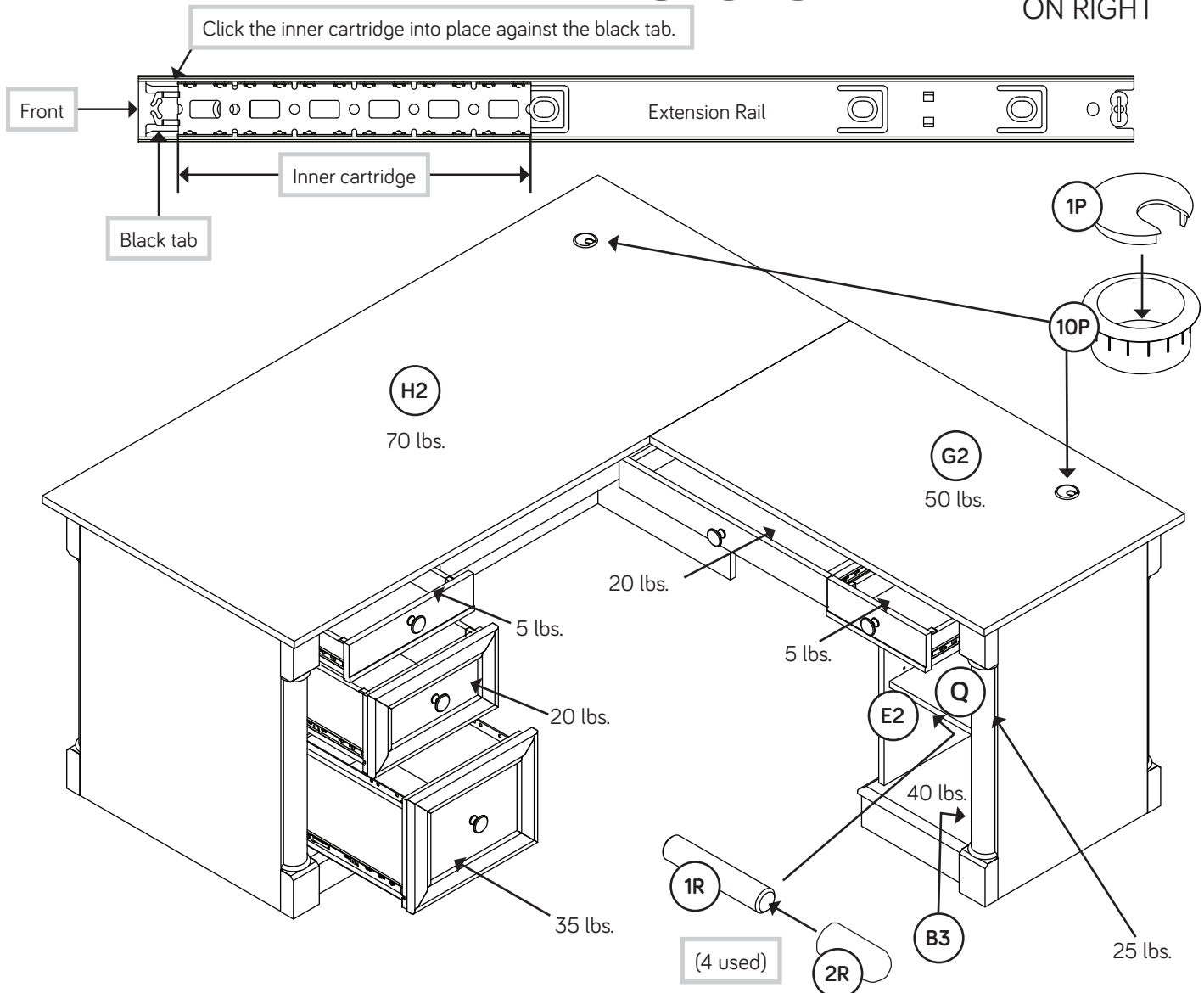


Step 42

- ✚ The DOOR is not shown in this step.
- ✚ Push the RUBBER SLEEVES (2R) over the METAL PINS (1R). Insert the METAL PINS into the hole locations of your choice in the INNER RIGHT END (B3) and RIGHT UPRIGHT (E2). Set the ADJUSTABLE SHELF (Q) onto the METAL PINS.
- ✚ **NOTE:** Before inserting the drawers, be sure the INNER CARTRIDGE in the EXTENSION RAILS on your unit is all the way forward. The INNER CARTRIDGE should click into place against the BLACK TAB.
- ✚ To insert the drawers into your unit, line up the EXTENSION SLIDES on the drawer with the EXTENSION RAILS on the unit and push the drawer into the unit until the drawer is fully inserted. The drawer will push in hard until it is all the way in, then it will slide in and out easier. Repeat this step for the KEYBOARD SHELF.
- ✚ Insert the GROMMETS (10P) and GROMMET CAPS (1P) into the large holes in the TOPS (G2 and H2).
- ✚ **NOTE:** Please read the back pages of the instruction booklet for important safety information.
- ✚ This completes assembly for the KEYBOARD on the right. Clean with your favorite furniture polish or a damp cloth. Wipe dry.

★ And to celebrate, why not share your success story?    

KEYBOARD DRAWER ON RIGHT



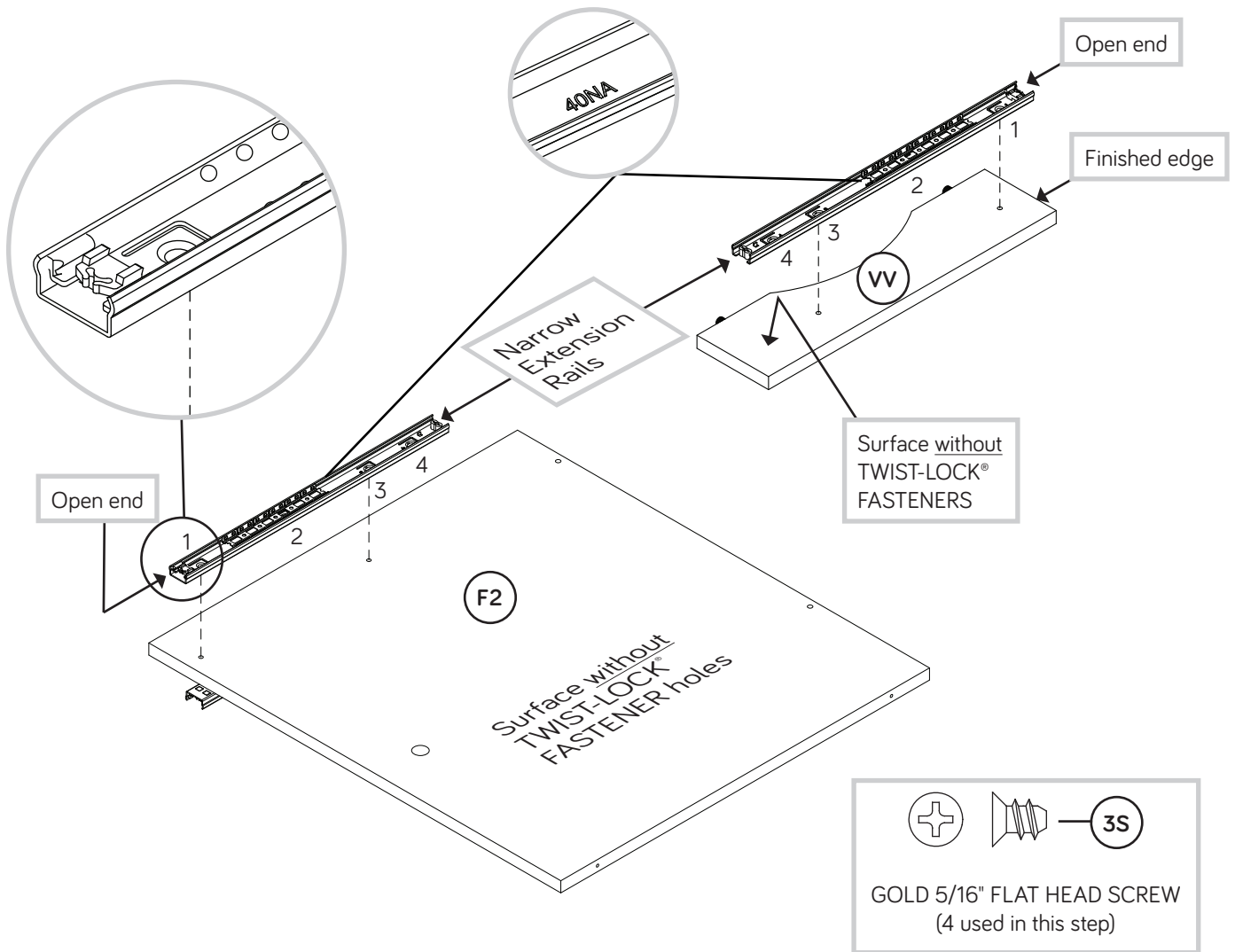
Step 43



Fasten the NARROW EXTENSION RAILS (40NA) to the other surface of the LEFT UPRIGHT (F2) and KEYBOARD UPRIGHT (VV). Use four GOLD 5/16" FLAT HEAD SCREWS (3S) through holes #1 and #3.

KEYBOARD
DRAWER ON LEFT

NOTE: For each EXTENSION RAIL, turn a SCREW into the hole shown in the enlarged diagram. Then, slide the inner cartridge of the EXTENSION RAIL in to find the other hole that lines up with the holes in the UPRIGHTS. Turn a SCREW into this hole.



Step 44



KEYBOARD DRAWER ON LEFT

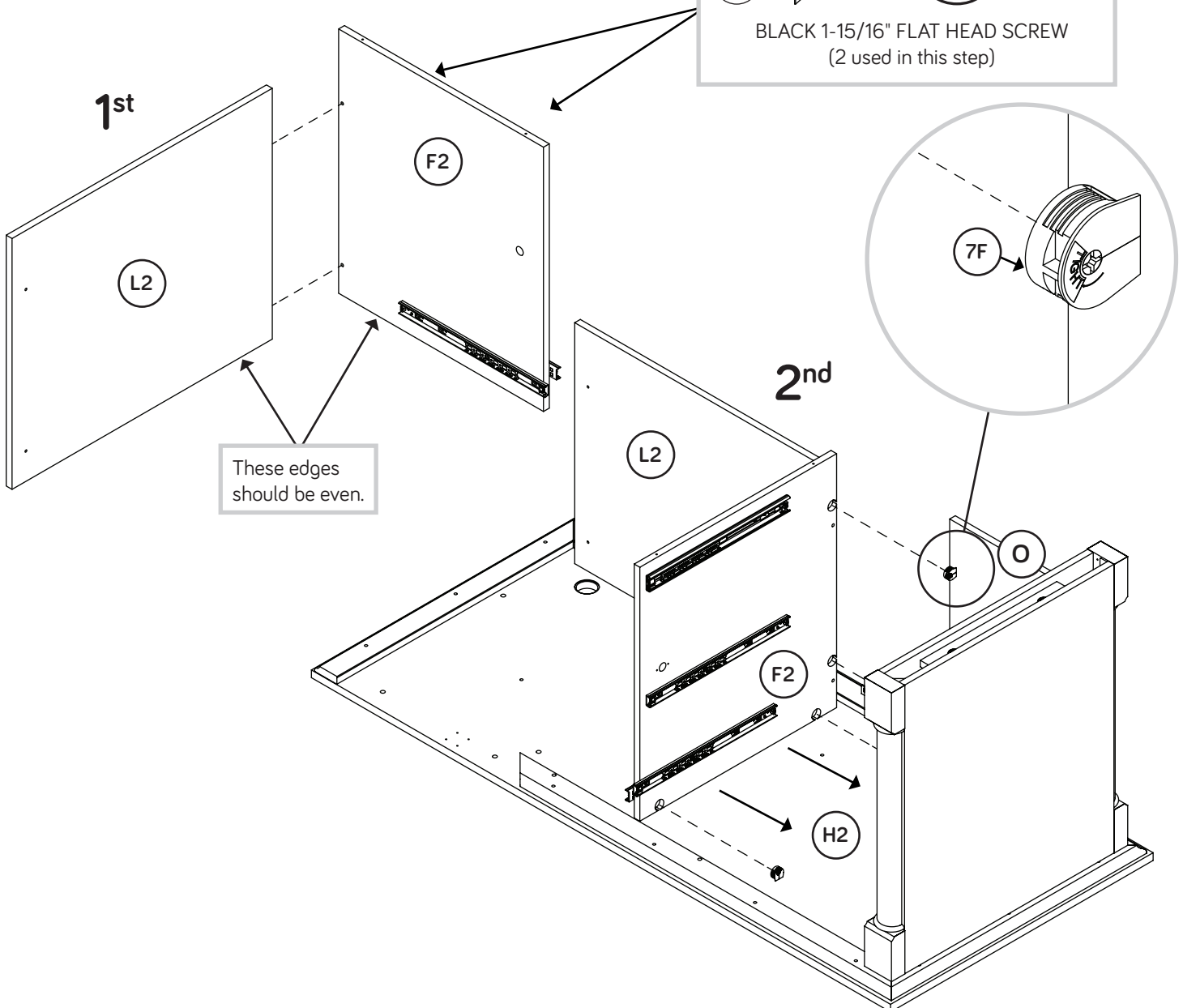
- Fasten the LEFT MODESTY PANEL (L2) to the LEFT UPRIGHT (F2). Use two BLACK 1-15/16" FLAT HEAD SCREWS (113S).
- Insert the dowel end of four TWIST-LOCK® FASTENERS (7F) into the large holes in the LEFT TOP (H2) and LEFT BACK (O).
- NOTE:** If you already pushed TWIST-LOCK® FASTENERS into the large holes in the LEFT UPRIGHT (F2), pull the FASTENERS back out of the holes. Pull at the front and back edges, slowly working the FASTENERS out of the holes.
- Push the LEFT UPRIGHT (F2) onto the TWIST-LOCK® FASTENERS (7F) in the LEFT TOP (H2) and LEFT BACK (O). Tighten four TWIST-LOCK® FASTENERS.



Don't worry. It isn't Rome. This can be built in a day.



BLACK 1-15/16" FLAT HEAD SCREW
(2 used in this step)

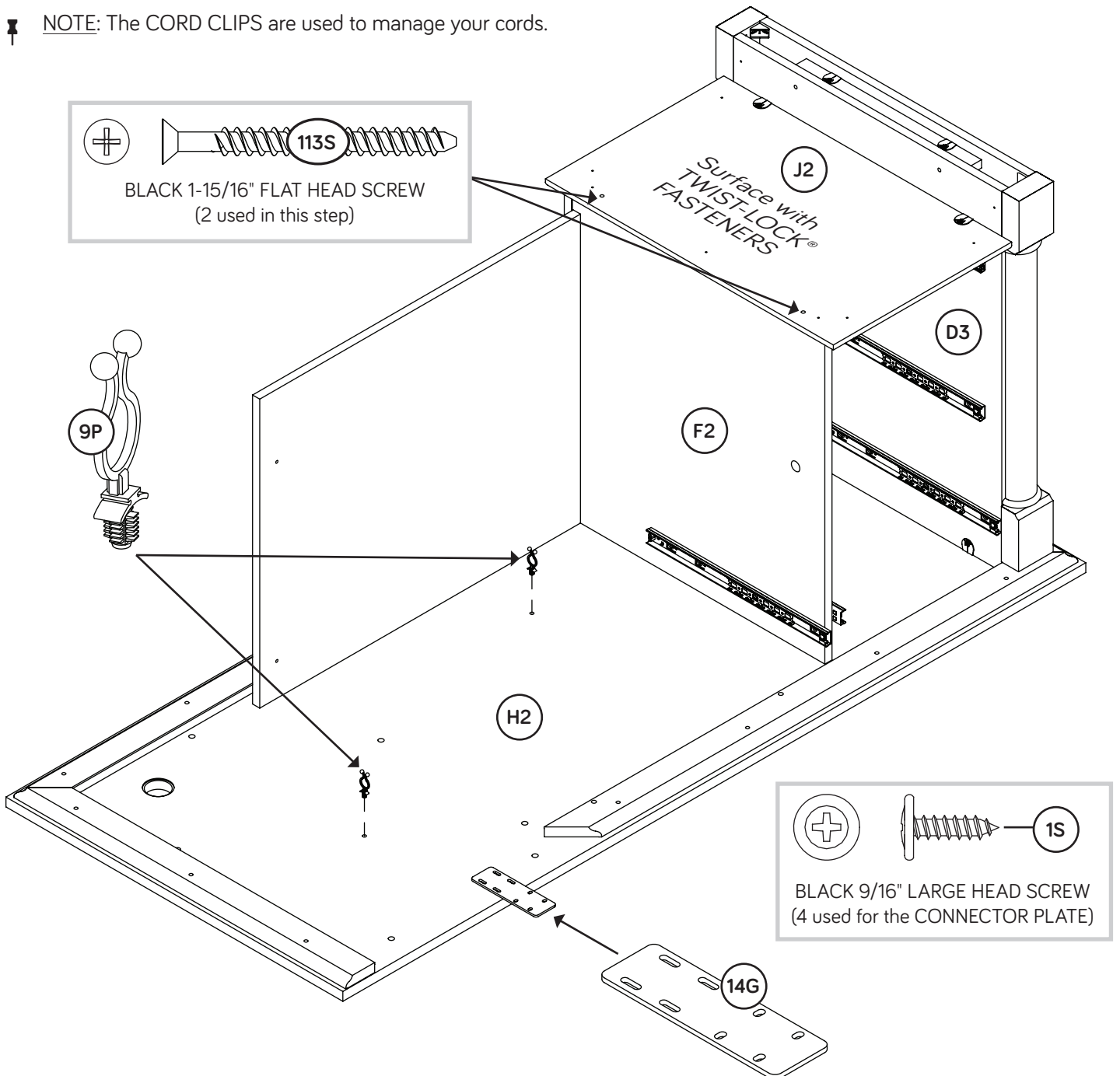


Step 45



KEYBOARD DRAWER ON LEFT

- Fasten the LEFT BOTTOM (J2) to the INNER LEFT END (D3). Tighten two TWIST-LOCK® FASTENERS.
- Fasten the LEFT BOTTOM (J2) to the LEFT UPRIGHT (F2). Use two BLACK 1-15/16" FLAT HEAD SCREWS (113S).
- Fasten the CONNECTOR PLATE (14G) to the LEFT TOP (H2). Use four BLACK 9/16" LARGE HEAD SCREWS (1S).
- Push two CORD CLIPS (9P) into the holes in the LEFT TOP (H2).
- NOTE:** The CORD CLIPS are used to manage your cords.

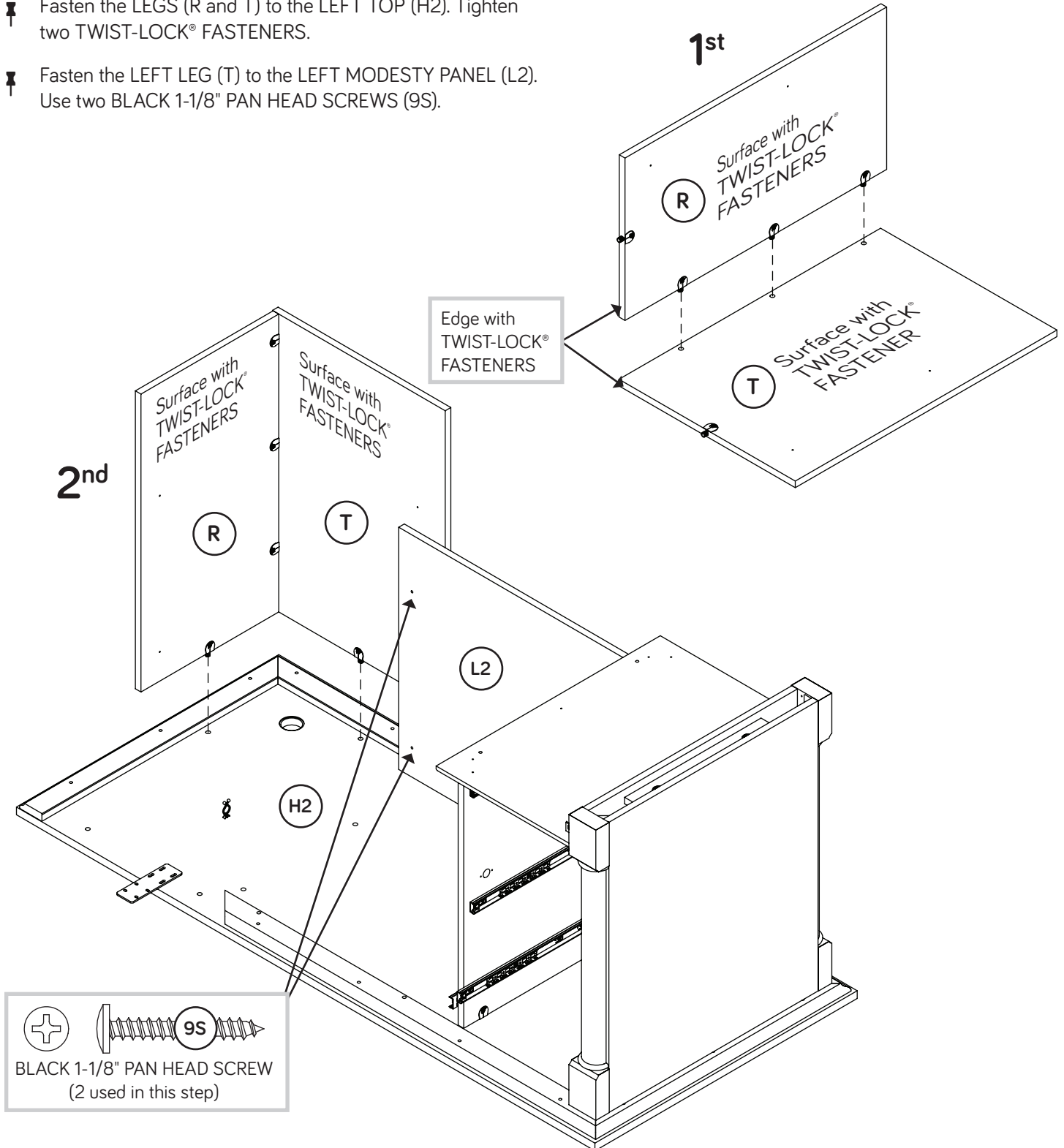


Step 46



KEYBOARD
DRAWER ON LEFT

- Fasten the RIGHT LEG (R) to the LEFT LEG (T). Tighten three TWIST-LOCK® FASTENERS.
- Fasten the LEGS (R and T) to the LEFT TOP (H2). Tighten two TWIST-LOCK® FASTENERS.
- Fasten the LEFT LEG (T) to the LEFT MODESTY PANEL (L2). Use two BLACK 1-1/8" PAN HEAD SCREWS (9S).



Step 47

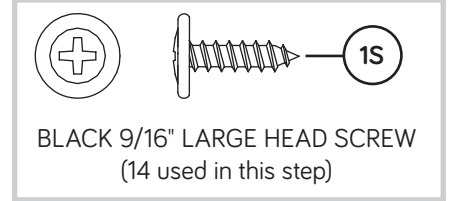
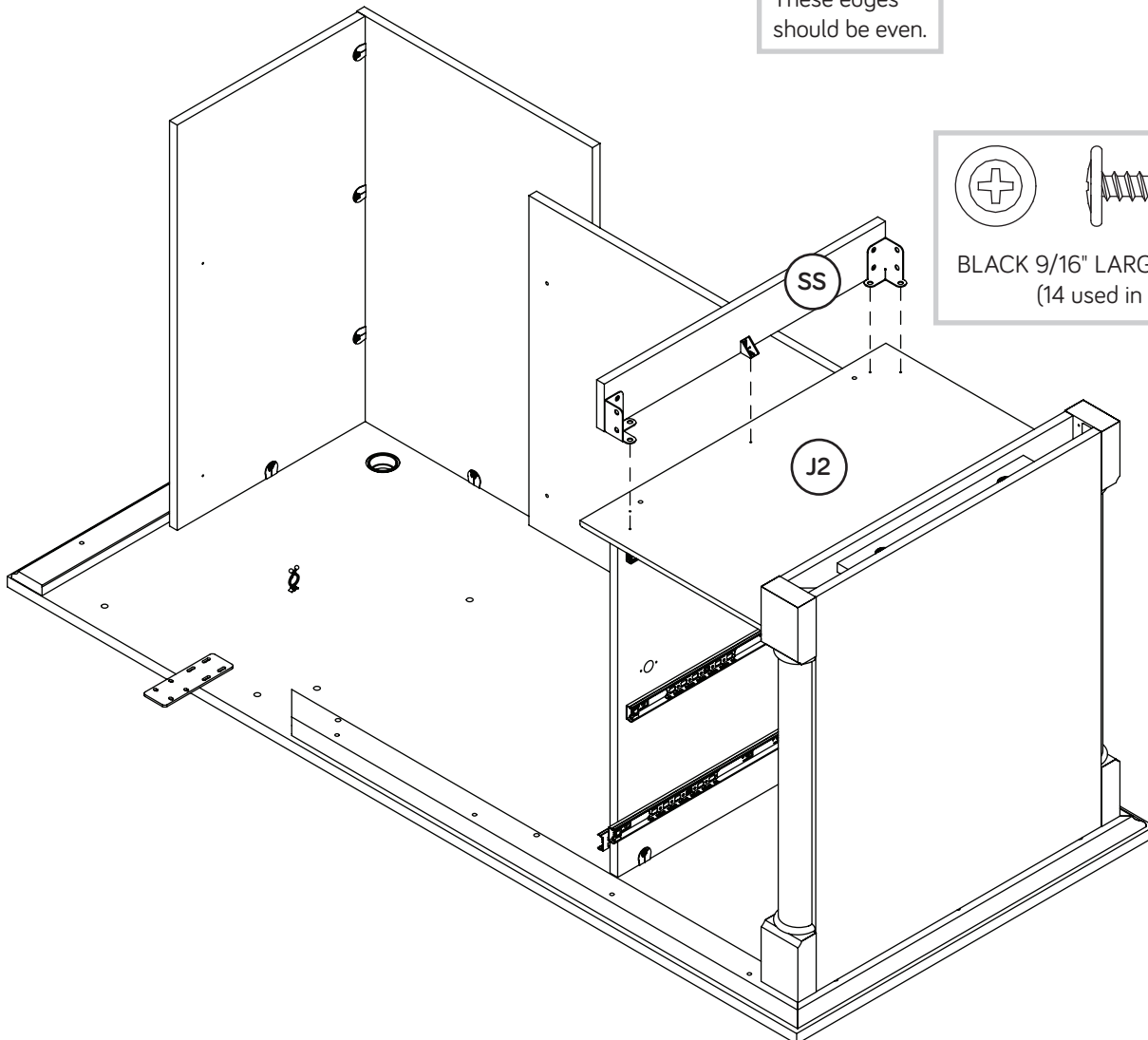
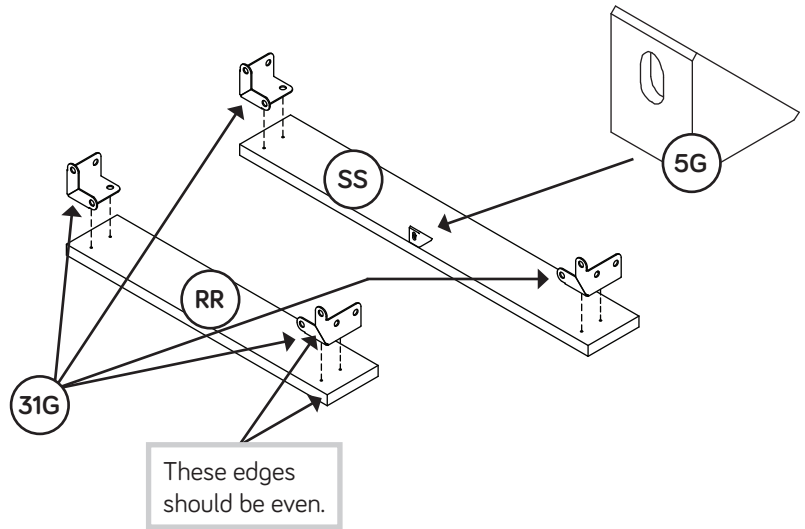
KEYBOARD
DRAWER ON LEFT

Fasten the CORNER BRACKETS (31G) to the SIDE SKIRTS (RR and SS). Use eight BLACK 9/16" LARGE HEAD SCREWS (1S).

Fasten an ANGLE BRACKET (5G) to the LEFT SIDE SKIRT (SS). Use a BLACK 9/16" LARGE HEAD SCREW (1S).

NOTE: Be sure the edge of the ANGLE BRACKET is even with the edge of the LEFT SIDE SKIRT.

Fasten the LEFT SIDE SKIRT (SS) to the LEFT BOTTOM (J2). Use five BLACK 9/16" LARGE HEAD SCREWS (1S) through the holes in the BRACKETS and into the holes in the LEFT BOTTOM.



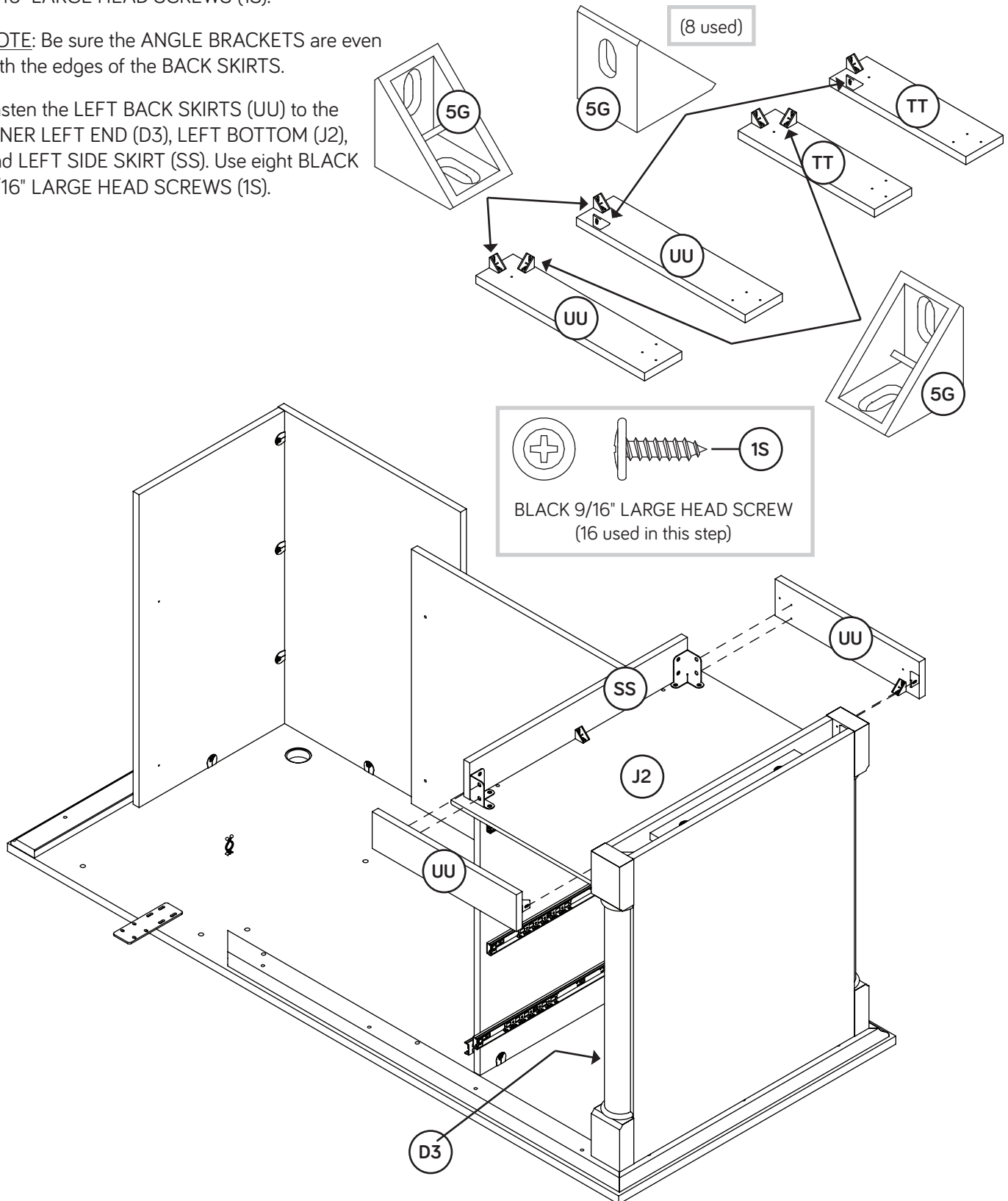
Step 48

Fasten eight ANGLE BRACKETS (5G) to the BACK SKIRTS (TT and UU). Use eight BLACK 9/16" LARGE HEAD SCREWS (1S).

NOTE: Be sure the ANGLE BRACKETS are even with the edges of the BACK SKIRTS.

Fasten the LEFT BACK SKIRTS (UU) to the INNER LEFT END (D3), LEFT BOTTOM (J2), and LEFT SIDE SKIRT (SS). Use eight BLACK 9/16" LARGE HEAD SCREWS (1S).

KEYBOARD
DRAWER ON LEFT



Step 49

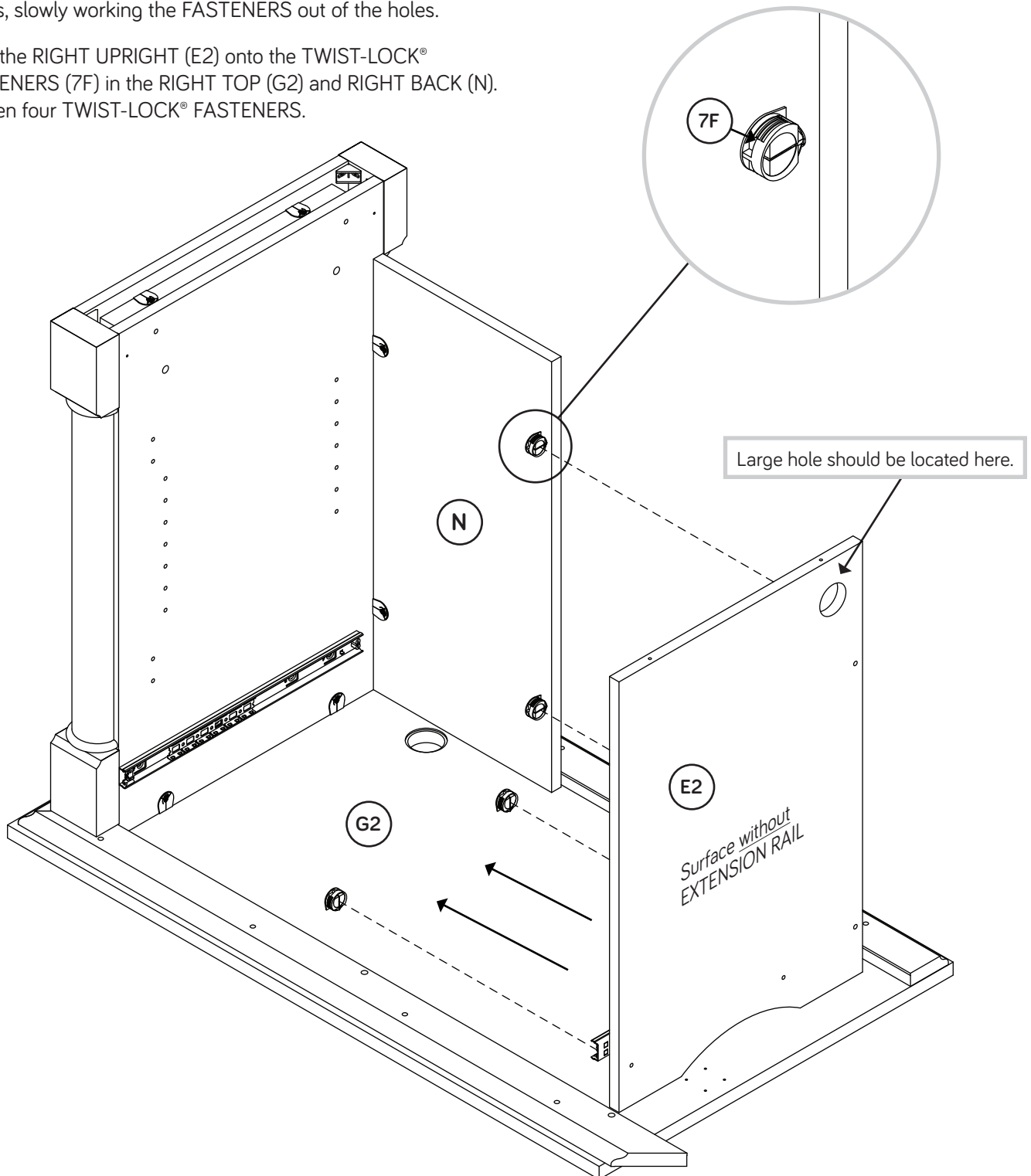


KEYBOARD
DRAWER ON LEFT

✚ Insert the dowel end of four TWIST-LOCK® FASTENERS (7F) into the large holes in the RIGHT TOP (G2) and RIGHT BACK (N).

✚ **NOTE:** If you already pushed TWIST-LOCK® FASTENERS into the large holes in the RIGHT UPRIGHT (E2), pull the FASTENERS back out of the holes. Pull at the front and back edges, slowly working the FASTENERS out of the holes.

✚ Push the RIGHT UPRIGHT (E2) onto the TWIST-LOCK® FASTENERS (7F) in the RIGHT TOP (G2) and RIGHT BACK (N). Tighten four TWIST-LOCK® FASTENERS.



Step 50



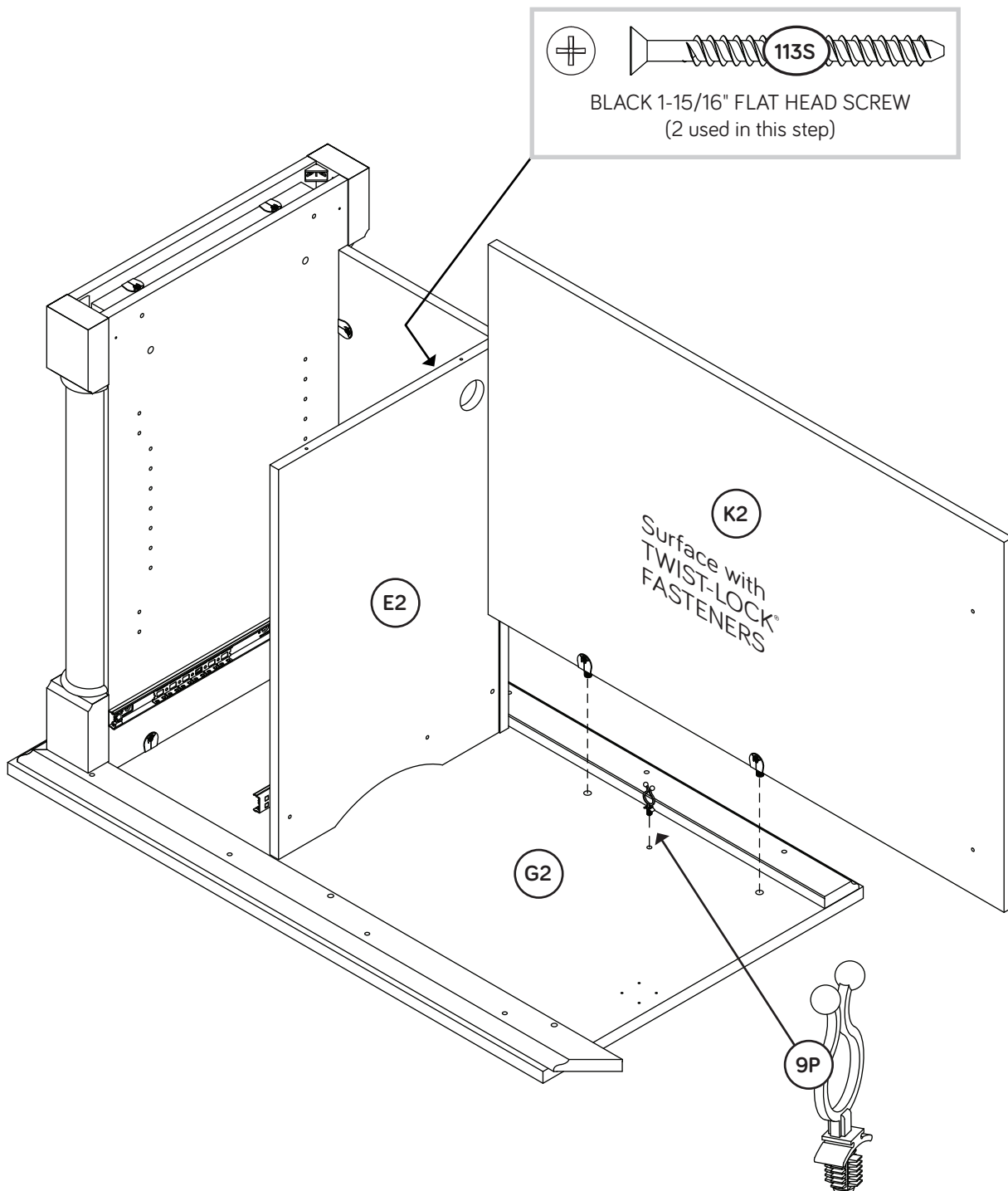
✚ Fasten the RIGHT MODESTY PANEL (K2) to the RIGHT TOP (G2).
Tighten two TWIST-LOCK® FASTENERS.

KEYBOARD
DRAWER ON LEFT

✚ Fasten the RIGHT MODESTY PANEL (K2) to the RIGHT UPRIGHT (E2).
Use two BLACK 1-15/16" FLAT HEAD SCREWS (113S).

✚ Push a CORD CLIP (9P) into the hole in the RIGHT TOP (G2).

✚ NOTE: The CORD CLIP is used to manage your cords.

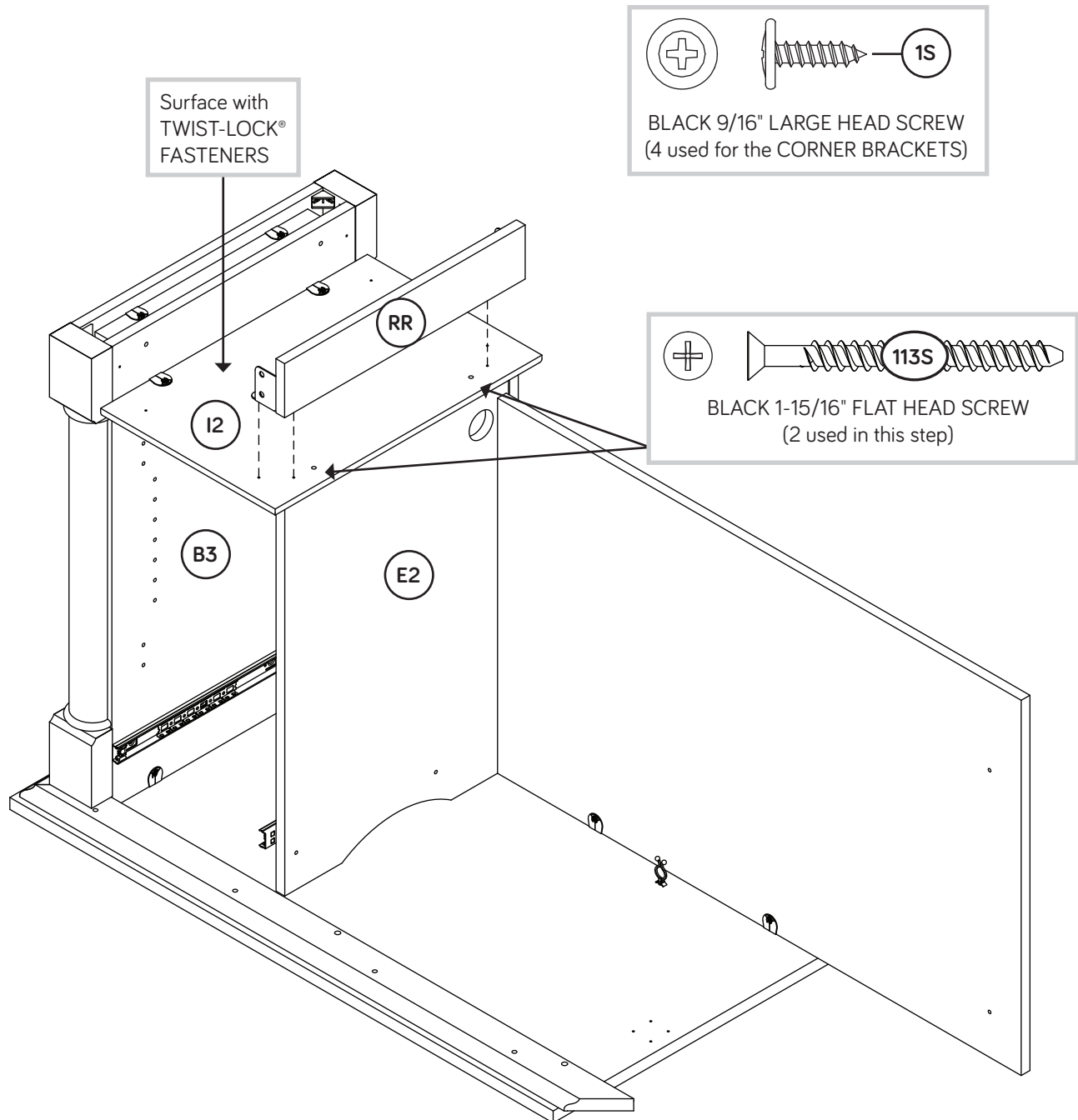


Step 51



KEYBOARD
DRAWER ON LEFT

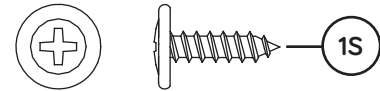
- Fasten the RIGHT BOTTOM (I2) to the INNER RIGHT END (B3).
Tighten two TWIST-LOCK® FASTENERS.
- Fasten the RIGHT BOTTOM (I2) to the RIGHT UPRIGHT (E2).
Use two BLACK 1-15/16" FLAT HEAD SCREWS (113S).
- Fasten the RIGHT SIDE SKIRT (RR) to the RIGHT BOTTOM (I2).
Use four BLACK 9/16" LARGE HEAD SCREWS (1S) through the
holes in the BRACKETS and into the holes in the RIGHT BOTTOM.



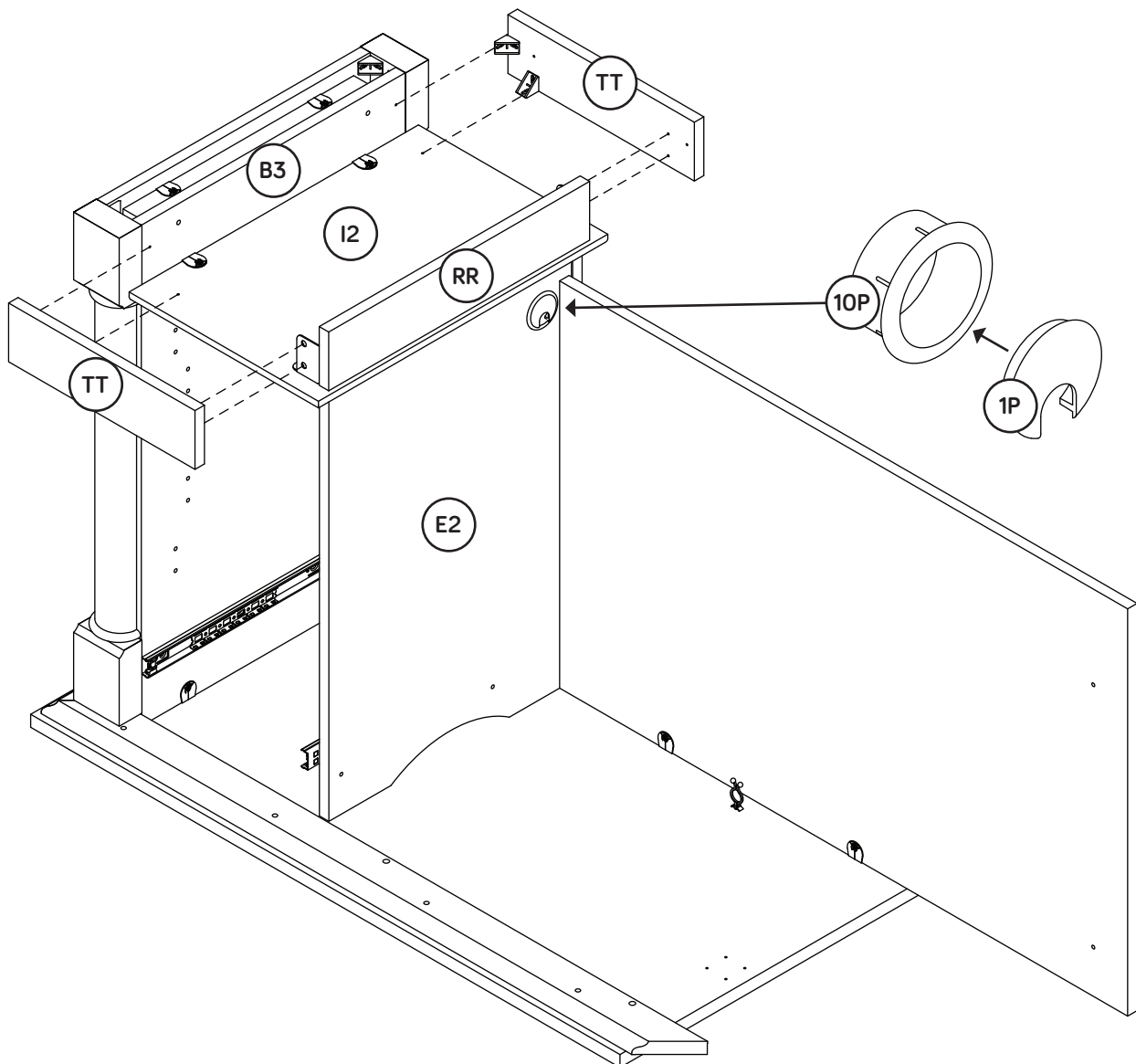
Step 52

- Fasten the RIGHT BACK SKIRTS (TT) to the INNER RIGHT END (B3), RIGHT BOTTOM (I2), and RIGHT SIDE SKIRT (RR). Use eight BLACK 9/16" LARGE HEAD SCREWS (1S).
- Insert a GROMMET (10P) and GROMMET CAP (1P) into the large hole in the RIGHT UPRIGHT (E2).

KEYBOARD
DRAWER ON LEFT



BLACK 9/16" LARGE HEAD SCREW
(8 used in this step)



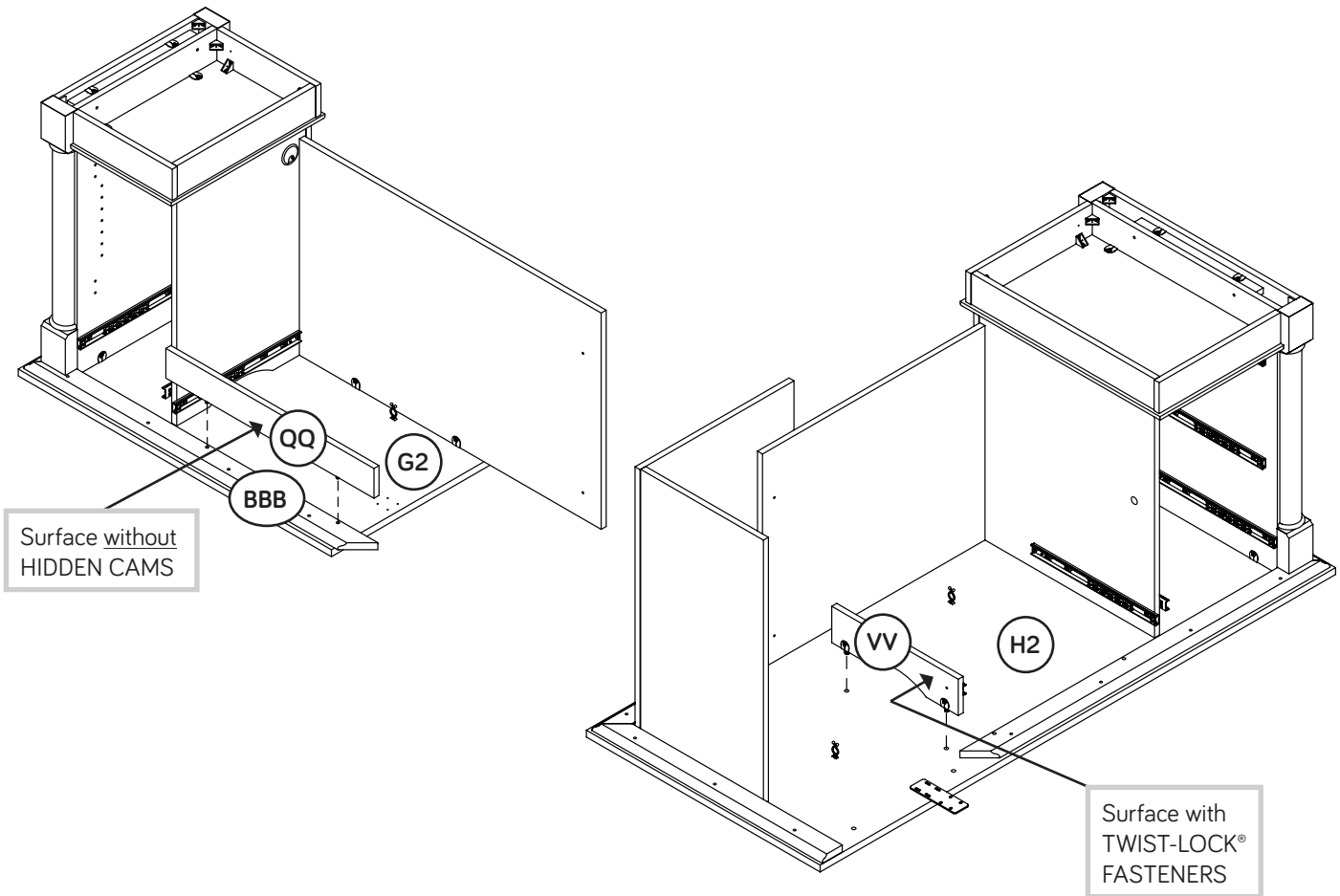
Step 53



Fasten the FRONT PANEL (QQ) to the TOP RIGHT FRONT MOLDING (BBB) on the RIGHT TOP (G2). Tighten two HIDDEN CAMS.

KEYBOARD
DRAWER ON LEFT

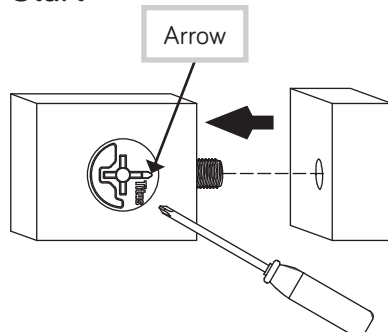
Fasten the KEYBOARD UPRIGHT (VV) to the LEFT TOP (H2). Tighten two TWIST-LOCK® FASTENERS.



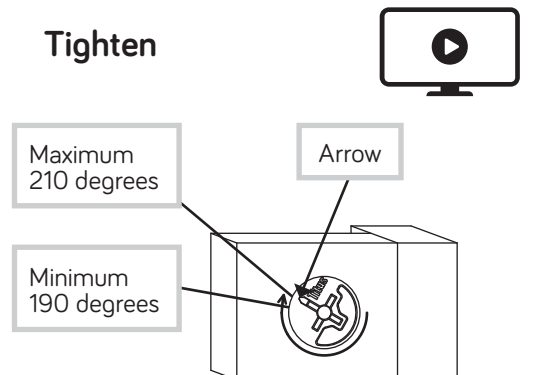
⚠ Caution

Risk of damage or injury. HIDDEN CAMS must be completely tightened. HIDDEN CAMS that are not completely tightened may loosen, and parts may separate. To completely tighten:

Start



Tighten



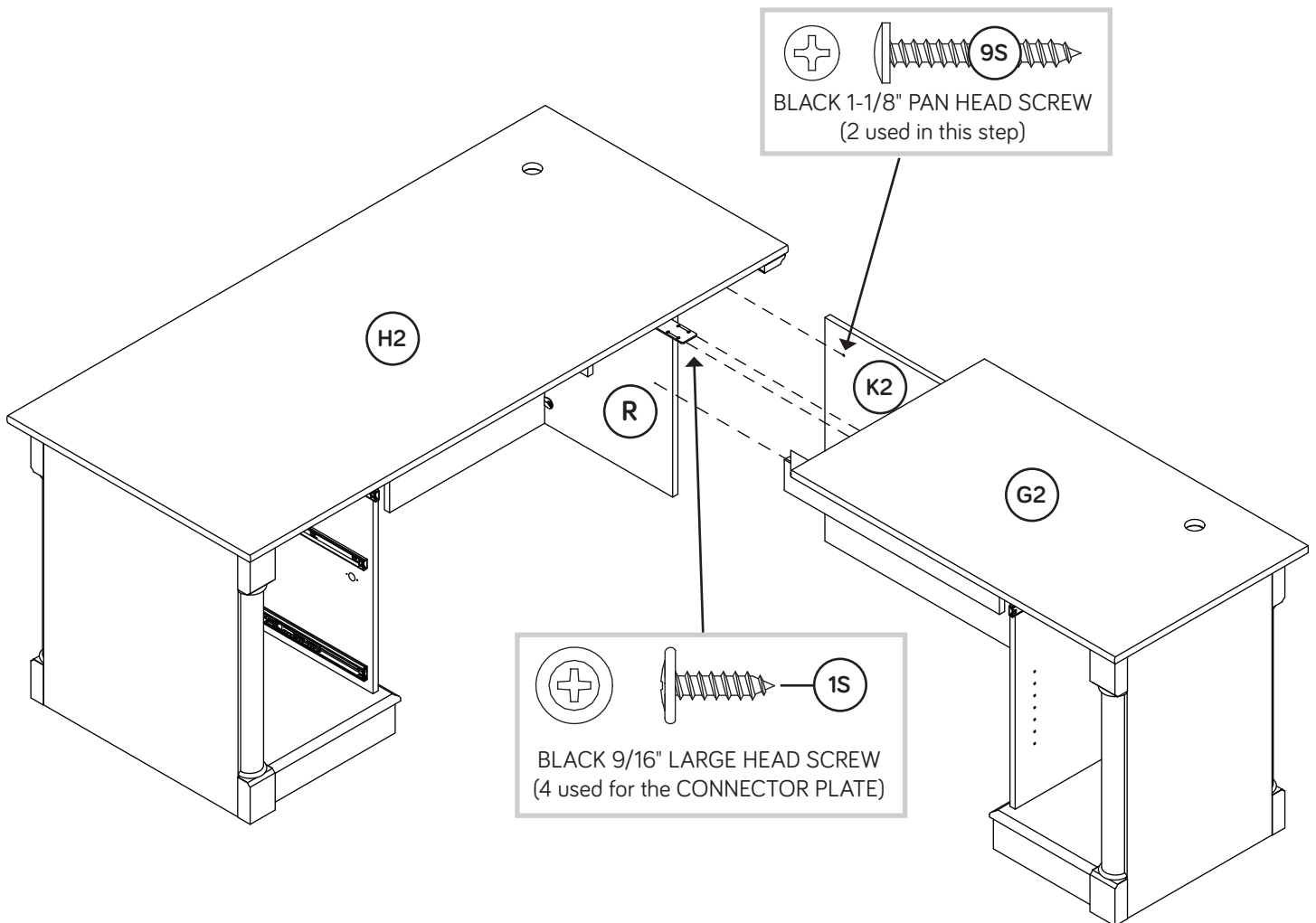
Step 54

- ⚡ You may need someone's help in this step.
- ⚡ Carefully stand your unit upright.
- ⚡ Fasten the CONNECTOR PLATE on the LEFT TOP (H2) to the RIGHT TOP (G2). Use four BLACK 9/16" LARGE HEAD SCREWS (1S).
- ⚡ Fasten the RIGHT LEG (R) to the RIGHT MODESTY PANEL (K2). Use two BLACK 1-1/8" PAN HEAD SCREWS (9S).

KEYBOARD
DRAWER ON LEFT



If you're doing this to help a friend, don't leave without a bite.

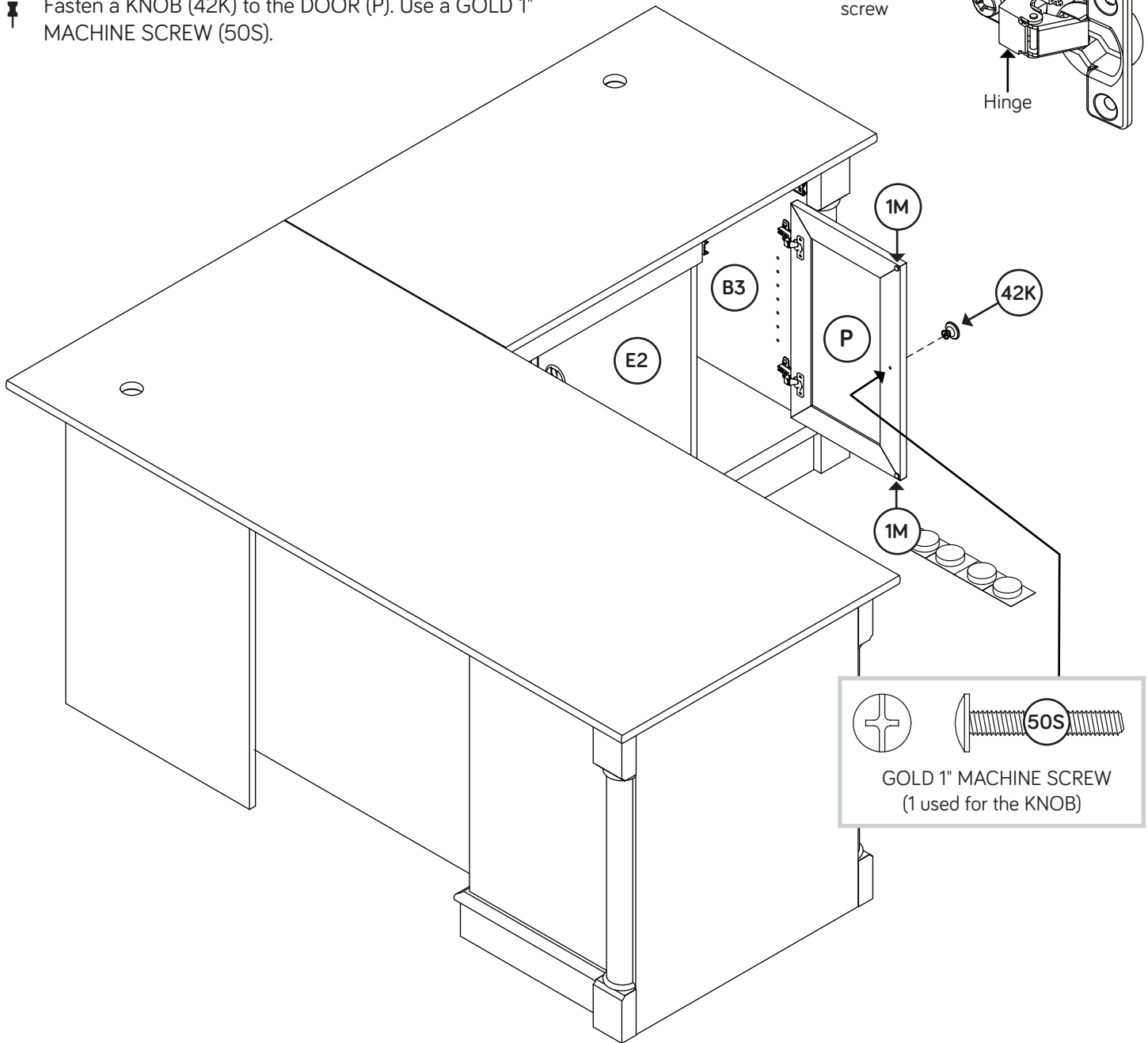
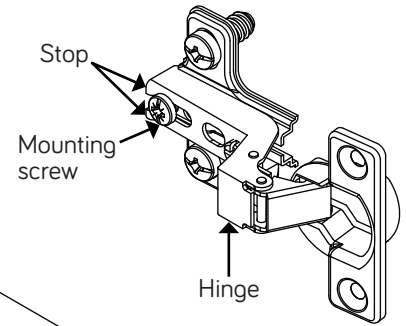


Step 55



- Before fastening the DOOR to your unit, be sure the mounting screw is against the stops as shown in the right diagram. If it isn't, loosen the mounting screw to slide it against the stops. Then tighten the mounting screw.
- Fasten the DOOR (P) to the INNER RIGHT END (B3). Use the screws in the HINGES. See the next step for door adjustments.
- Peel a FELT DISC from the FELT DISC CARD (1M) and stick it on the DOOR where it comes in contact with the RIGHT UPRIGHT (E2).
- Fasten a KNOB (42K) to the DOOR (P). Use a GOLD 1" MACHINE SCREW (50S).

KEYBOARD DRAWER ON LEFT

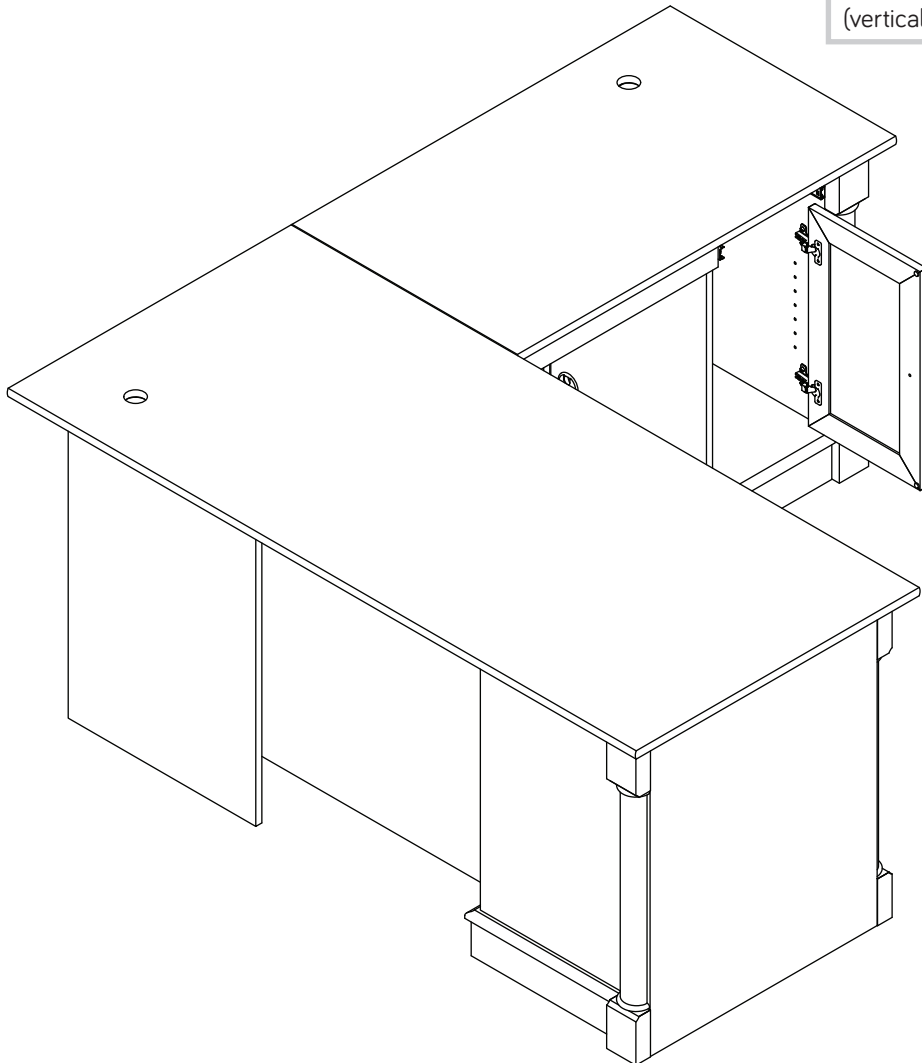
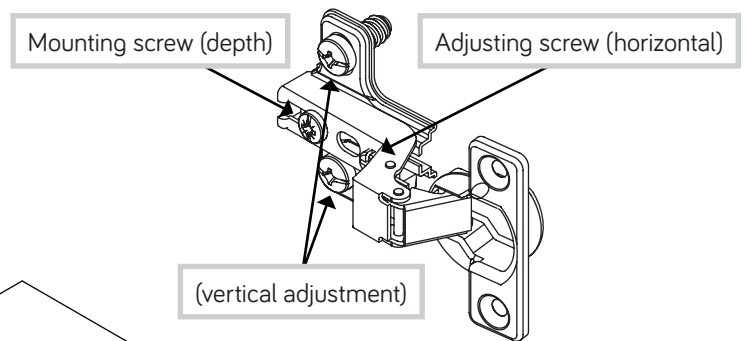


Step 56



- Refer to the enlarged diagram to identify the parts on the HINGES.
- The DOOR may need some adjustments. Follow the text below to make needed adjustments.
- DOOR ADJUSTMENTS:**
 - To adjust the DOOR from side to side (horizontal), turn the adjusting screw in or out.
 - To adjust the DOOR up and down (vertical), loosen both vertical adjustment screws. Move the DOOR up or down to the desired location. Tighten the screws after making adjustments.
 - To adjust the DOOR in or out (depth), loosen the mounting screw one turn and move the DOOR in or out, as needed. Tighten the mounting screw after making adjustments.

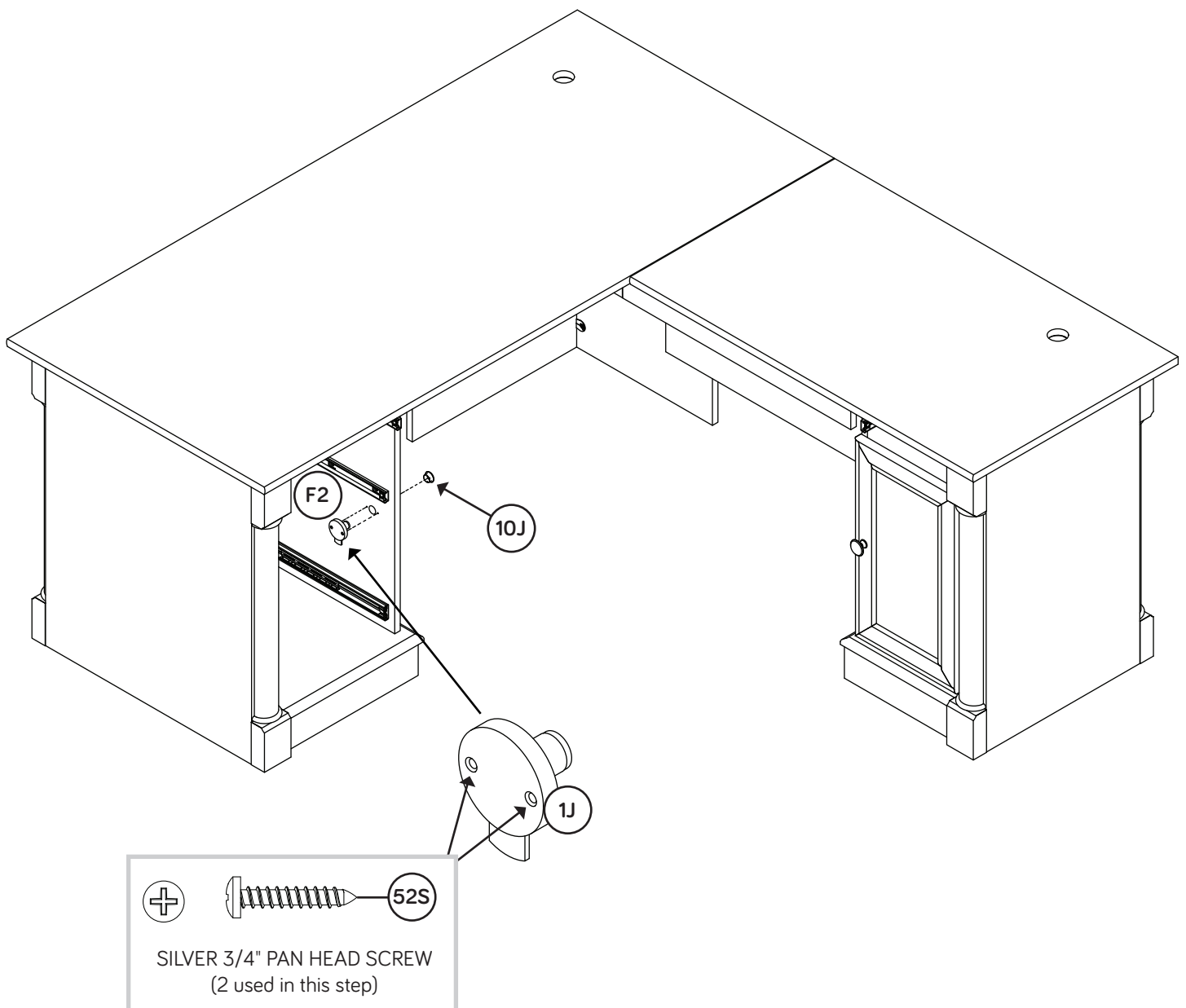
KEYBOARD DRAWER ON LEFT



Step 57

- Fasten the LOCK (1J) to the LEFT UPRIGHT (F2). Use two SILVER 3/4" PAN HEAD SCREWS (52S).
- Push the LOCK COVER (10J) over the LOCK (1J).





KEYBOARD
DRAWER ON LEFT

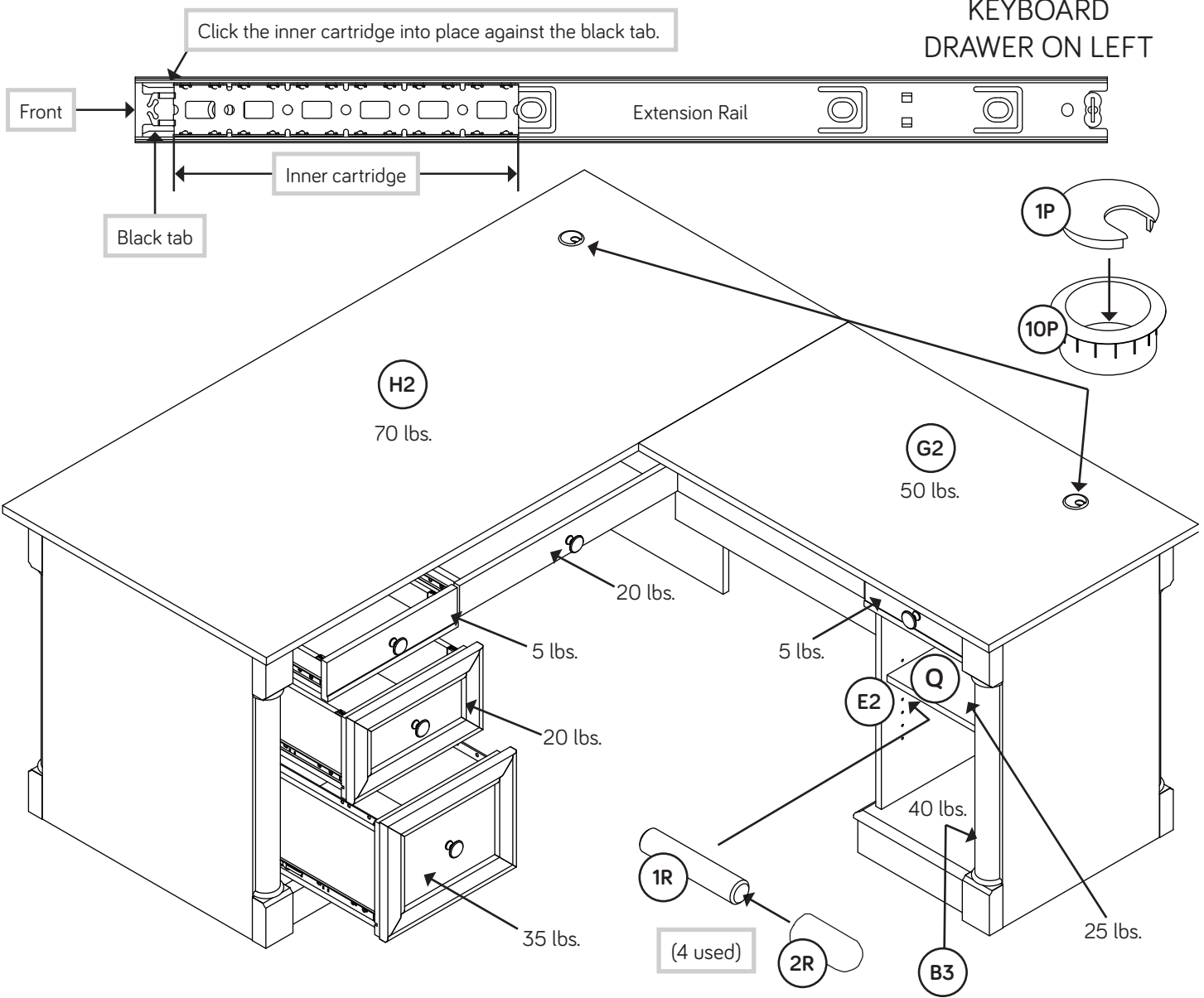


Step 58



- ✚ The DOOR is not shown in this step.
- ✚ Push the RUBBER SLEEVES (2R) over the METAL PINS (1R). Insert the METAL PINS into the hole locations of your choice in the INNER RIGHT END (B3) and RIGHT UPRIGHT (E2). Set the ADJUSTABLE SHELF (Q) onto the METAL PINS.
- ✚ **NOTE:** Before inserting the drawers, be sure the INNER CARTRIDGE in the EXTENSION RAILS on your unit is all the way forward. The INNER CARTRIDGE should click into place against the BLACK TAB.
- ✚ To insert the drawers into your unit, line up the EXTENSION SLIDES on the drawer with the EXTENSION RAILS on the unit and push the drawer into the unit until the drawer is fully inserted. The drawer will push in hard until it is all the way in, then it will slide in and out easier. Repeat this step for the KEYBOARD SHELF.
- ✚ Insert the GROMMETS (10P) and GROMMET CAPS (1P) into the large holes in the TOPS (G2 and H2).
- ✚ **NOTE:** Please read the back pages of the instruction booklet for important safety information.
- ✚ This completes assembly. Clean with your favorite furniture polish or a damp cloth. Wipe dry.

★ **And to celebrate, why not share your success story?**    



Utilisez les instructions d'assemblage en français avec les schémas étape par étape du manuel d'instruction en anglais. Chaque étape en français correspond à la même étape en anglais. La pièce devant être attachée à l'élément est représentée en gris sur les schémas de chaque étape pour plus de précision. Comparer la "Liste de pièces" ci-dessous avec la "PART IDENTIFICATION" du manuel en anglais pour vous familiariser avec les pièces avant l'assemblage.

REMARQUE : CE MANUEL D'INSTRUCTIONS CONTIENT **D'IMPORTANTES** INFORMATIONS RELATIVES À LA SÉCURITÉ. À LIRE ET CONSERVER POUR TOUTE RÉFÉRENCE FUTURE.

NOUS SOMMES LÀ POUR VOUS AIDER!

Nous faisons de notre mieux pour nous assurer que votre meuble arrive dans d'excellentes conditions. Nos représentants du service Clientèle sont aimables et prêts à vous aider au cas où une pièce aurait été endommagée ou manquerait (ou si vous aviez besoin d'aide pour l'assemblage). **NE RAMENEZ PAS LE MEUBLE AU MAGASIN.** Au Canada, composez ce numéro d'appel gratuit:

1-800-523-3987
**Du lundi au vendredi, de 9 heures du matin à
5:30 heures du soir (horaire Côte Est)**
(sauf jours fériés)

Si une pièce a besoin d'être remplacée, la pièce de remplacement sera envoyée dans les 48 heures. (Sauf week-ends et jours fériés)

A l'usage exclusif du Canada Noter la date d'achat de cet élément et conserver le livret pour future référence. Pour contacter Sauder en ce qui concerne cet élément, faire référence au numéro de lot et numéro de modèle en appelant notre numéro sans frais.

Lot n° : _____

Date de l'achat: _____

| LISTE DE PIÈCES | | | LISTE DE PIÈCES | | |
|-----------------|--|----------|--|---|----------|
| REFERENCE | DESCRIPTION | QUANTITÉ | REFERENCE | DESCRIPTION | QUANTITÉ |
| A | EXTRÉMITÉ DROITE EXTERNE..... | 1 | D46 | CÔTÉ DE TIROIR DROIT (Supérieur droit)..... | 1 |
| B3 | EXTRÉMITÉ DROITE INTERNE..... | 1 | D47 | CÔTÉ DE TIROIR GAUCHE (Supérieur droit)..... | 1 |
| C | EXTRÉMITÉ GAUCHE EXTERNE..... | 1 | D958 | FOND DE TIROIR DROIT SUPÉRIEUR..... | 1 |
| D3 | EXTRÉMITÉ GAUCHE INTERNE..... | 1 | LL | DEVANT DE TIROIR GAUCHE SUPÉRIEUR..... | 1 |
| E2 | MONTANT DROIT..... | 1 | D74 | ARRIÈRE DE TIROIR GAUCHE SUPÉRIEUR..... | 1 |
| F2 | MONTANT GAUCHE..... | 1 | D34 | CÔTÉ DE TIROIR DROIT (Supérieur gauche)..... | 1 |
| G2 | DESSUS DROIT..... | 1 | D35 | CÔTÉ DE TIROIR GAUCHE (Supérieur gauche)..... | 1 |
| H2 | DESSUS GAUCHE..... | 1 | D716 | FOND DE TIROIR..... | 2 |
| I2 | DESSOUS DROIT..... | 1 | (ENSEMBLES DE GLISSIÈRE ILLUSTRÉ À PART) | | |
| J2 | DESSOUS GAUCHE..... | 1 | 40MA | GLISSIÈRE D'EXTENSION LARGE..... | 2 |
| K2 | VOILE DE FOND DROIT..... | 1 | 40MC | COULISSE D'EXTENSION LARGE..... | 2 |
| L2 | VOILE DE FOND GAUCHE..... | 1 | 40NA | GLISSIÈRE D'EXTENSION ÉTROITE..... | 8 |
| N | ARRIÈRE DROIT..... | 1 | 40NC | COULISSE D'EXTENSION ÉTROITE..... | 8 |
| O | ARRIÈRE GAUCHE..... | 1 | 6B | ARMATURE POUR DOSSIERS..... | 2 |
| P | PORTE..... | 1 | 8B | TIGE DE DOSSIER..... | 2 |
| Q | TABLETTE RÉGLABLE..... | 1 | 1F | EXCENTRIQUE ESCAMOTABLE..... | 2 |
| R | PIED DROIT..... | 1 | 2F | CHEVILLE D'EXCENTRIQUE..... | 2 |
| T | PIED GAUCHE..... | 1 | 7F | FIXATION TWIST-LOCK®..... | 37 |
| QQ | PANNEAU AVANT..... | 1 | 17F | CONNECTEUR DE MOULURE..... | 5 |
| RR | PLINTHE LATÉRALE DROITE..... | 1 | 5G | CONSOLE À ÉQUERRE..... | 37 |
| SS | PLINTHE LATÉRALE GAUCHE..... | 1 | 6G | CONSOLE DE DEVANT DE TIROIR SUPÉRIEUR..... | 2 |
| TT | PLINTHE ARRIÈRE DROITE..... | 2 | 9G | CONSOLE DE DEVANT DE TIROIR..... | 1 |
| UU | PLINTHE ARRIÈRE GAUCHE..... | 2 | 10G | CONSOLE DE DEVANT DE GRAND TIROIR..... | 2 |
| VV | MONTANT DE LA TABLETTE DE CLAVIER..... | 1 | 14G | PLAQUE DE CONNECTEUR..... | 1 |
| WW | DEVANT DE TABLETTE DE CLAVIER..... | 1 | 31G | SUPPORTS EN CORNIÈRE..... | 4 |
| XX | ARRIÈRE DE TABLETTE DE CLAVIER..... | 1 | 12H | CHARNIÈRE..... | 2 |
| YY | CÔTÉ DROIT DE LA TABLETTE DE CLAVIER..... | 1 | 14H | CHARNIÈRE..... | 2 |
| ZZ | CÔTÉ GAUCHE DE LA TABLETTE DE CLAVIER..... | 1 | 1J | VERROU..... | 1 |
| AAA | TABLETTE DE CLAVIER..... | 1 | 5J | CONSOLE DE VERROU..... | 1 |
| BBB | MOULURE DE DEVANT DROITE SUPÉRIEURE..... | 1 | 10J | COUVERCLE DE VERROU..... | 1 |
| CCC | MOULURE DE DEVANT GAUCHE SUPÉRIEURE..... | 1 | 42K | BOUTON..... | 6 |
| DDD | MOULURE ARRIÈRE DE DESSUS..... | 1 | 1M | FICHE DE TAMPONS EN FEUTRE..... | 1 |
| EEE | MOULURE ARRIÈRE GAUCHE SUPÉRIEURE..... | 1 | 1P | COUVERCLE DE PASSE-CÂBLES..... | 3 |
| FFF | MOULURE DE CÔTÉ DROIT SUPÉRIEUR..... | 1 | 9P | CLIP POUR CORDONS..... | 3 |
| GGG | MOULURE DE CÔTÉ GAUCHE SUPÉRIEUR..... | 1 | 10P | PASSE-CÂBLES..... | 3 |
| HHH | MOULURE ARRIÈRE DROITE SUPÉRIEURE..... | 1 | 1R | GOUPILLE EN MÉTAL..... | 8 |
| JJJ | PLINTHE..... | 8 | 2R | MANCHON EN CAOUTCHOUC..... | 4 |
| L4 | ESPACEUR..... | 2 | 1S | VIS TÊTE LARGE 14 mm NOIRE..... | 118 |
| MMM | DEMI-DISQUE..... | 8 | 3S | VIS TÊTE PLATE 8 mm DORÉE..... | 34 |
| M35 | MOULURE D'EXTRÉMITÉ..... | 4 | 6S | VIS TÊTE LARGE 11 mm MARRON..... | 1 |
| S | DEVANT DE CAISSON DE TIROIR DE CLASSEUR..... | 1 | 7S | VIS TÊTE PLATE 32 mm NOIRE..... | 26 |
| U | DEVANT DE TIROIR POUR DOSSIERS..... | 1 | 9S | VIS TÊTE GOUTTE DE SUIF 28 mm NOIRE..... | 12 |
| D78 | ARRIÈRE DE TIROIR POUR DOSSIERS..... | 1 | 11S | VIS TÊTE PLATE 13 mm NOIRE..... | 4 |
| D211 | CÔTÉ DROIT DE TIROIR POUR DOSSIERS..... | 1 | 12S | VIS TÊTE PLATE 25 mm MARRON..... | 8 |
| D32 | CÔTÉ GAUCHE DE TIROIR POUR DOSSIERS..... | 1 | 14S | VIS TÊTE PLATE 38 mm MARRON..... | 6 |
| D708 | FOND DE TIROIR POUR DOSSIERS..... | 1 | 23S | VIS TÊTE PLATE 16 mm ARGENTÉE..... | 4 |
| Z | DEVANT DE CAISSON DE TIROIR..... | 1 | 30S | VIS TÊTE PLATE 40 mm NOIRE..... | 16 |
| BB | DEVANT DE TIROIR..... | 1 | 35S | VIS À MÉTAUX 32 mm ARGENTÉE..... | 2 |
| D77 | ARRIÈRE DE TIROIR..... | 1 | 37S | VIS NOIRE À MÉTAUX 22 mm..... | 3 |
| D36 | CÔTÉ DROIT DE TIROIR..... | 1 | 50S | VIS À MÉTAUX 25 mm DORÉE..... | 1 |
| D37 | CÔTÉ GAUCHE DE TIROIR..... | 1 | 52S | VIS TÊTE GOUTTE DE SUIF 19 mm ARGENTÉE..... | 2 |
| GG | DEVANT DE TIROIR DROIT SUPÉRIEUR..... | 1 | 54S | VIS TÊTE LARGE 14 mm ARGENTÉE..... | 2 |
| D76 | ARRIÈRE DE TIROIR DROIT SUPÉRIEUR..... | 1 | 74S | PETITE VIS TÊTE PLATE 32 mm NOIRE..... | 2 |
| | | | 113S | VIS TÊTE PLATE 49 mm NOIRE..... | 12 |

ÉTAPE 1

Assembler l'élément sur un sol à moquette ou sur le carton vide pour éviter d'endommager l'élément ou le sol.

Pur commencer l'assemblage, fixer les CÔTÉS DE LA TABLETTE DE CLAVIER (YY et ZZ) à la TABLETTE DE CLAVIER (AAA).

Utiliser quatre VIS TÊTE PLATE 38 mm MARRON (14S).

ÉTAPE 2

Fixer les CHARNIÈRES DE TABLETTE DE CLAVIER (12H) au DEVANT DE TABLETTE DE CLAVIER (WW). Utiliser quatre VIS TÊTE PLATE 16 mm ARGENTÉES (23S).

Fixer les CHARNIÈRES DE TABLETTE DE CLAVIER (12H) à la TABLETTE DE CLAVIER (AAA). Utiliser deux VIS TÊTE LARGE 14 mm ARGENTÉES (54S).

ÉTAPE 3

REMARQUE : Avant de commencer cette étape, séparer les JEUX D'EXTENSION ÉTROITES (40NA et 40NC) des JEUX D'EXTENSION LARGES (40MA et 40MC). Ne pas confondre ces JEUX une fois qu'ils sont séparés.

Séparer les COULISSES D'EXTENSION ÉTROITES (40NC) des GLISSIÈRES D'EXTENSION ÉTROITES (40NA) comme l'indique le schéma du haut. Faire attention car les pièces sont graissées.

Fixer les COULISSES D'EXTENSION ÉTROITES (40NC) aux CÔTÉS DE LA TABLETTE DE CLAVIER (YY et ZZ). Utiliser deux VIS TÊTE PLATE 8 mm DORÉES (3S) à travers le trou n° 3 et utiliser deux VIS TÊTE PLATE 38 mm MARRONES (14S) à travers le premier trou et dans l'ARRIÈRE DE LA TABLETTE DE CLAVIER (XX).

Ensuite, fixer l'ARRIÈRE DE LA TABLETTE DE CLAVIER (XX) à la TABLETTE DE CLAVIER (AAA). Utiliser deux PETITES VIS TÊTE PLATE 32 mm NOIRES (74S).

Fixer le BOUTON (42K) au DEVANT DE TIROIR (WW). Utiliser une VIS DORÉE À MÉTAUX 22 mm (37S).

ÉTAPE 4

Fixer les CÔTÉS DE TIROIR (D34, D35, D36, D37, D46, D47, D211, D32) aux ARRIÈRES DE TIROIR (D74, D77, D76 et D78). Utiliser douze VIS TÊTE PLATE 40 mm NOIRES (30S). S'assurer d'utiliser les pièces exactes indiquées.

REMARQUE : Le petit tiroir et le tiroir n'utiliseront qu'une VIS de chaque côté. S'assurer d'utiliser le trou supérieur.

Enfiler les FONDS DE TIROIR (D708, D716, D958) dans les rainures des CÔTÉS DE TIROIR (D34, D35, D36, D37, D46, D47, D211, D32) et des ARRIÈRES DE TIROIR (D74, D77, D76 et D78). S'assurer d'utiliser les pièces exactes indiquées.

ÉTAPE 5

Séparer les CONSOLES DE DEVANT DE TIROIR SUPÉRIEUR (6G) et les enfiler dans les rainures des CÔTÉS DE TIROIR (D34 et D35) et des CÔTÉS DE TIROIR (D46 et D47).

REMARQUE : Les CONSOLES DE DEVANT DE TIROIR ont l'inscription "RH" (Droite) et l'inscription "LH" (Gauche) pour faciliter leur identification.

Fixer les DEVANTS DE TIROIR SUPÉRIEUR (GG et LL) aux CONSOLES DE DEVANT DE TIROIR SUPÉRIEUR (6G). Utiliser quatre VIS TÊTE LARGE 14 mm NOIRES (1S).

ÉTAPE 6

Fixer les COULISSES D'EXTENSION ÉTROITES (40NC) aux CÔTÉS DE TIROIR (D34 et D35) comme l'indique le schéma. Utiliser deux VIS TÊTE PLATE 14 mm DORÉES (3S) à travers le trou n° 3 et utiliser deux VIS TÊTE PLATE 40 mm NOIRES (30S) à travers le trou n° 1.

Fixer un BOUTON (42K) sur le DEVANT DE TIROIR (LL). Utiliser une VIS DORÉE À MÉTAUX 22 mm (37S).

ÉTAPE 7

Fixer les COULISSES D'EXTENSION ÉTROITES (40NC) aux CÔTÉS DE TIROIR (D46 et D47). Utiliser quatre VIS TÊTE PLATE 8 mm DORÉES (3S) à travers les trous n° 1 et n° 3.

Fixer un BOUTON (42K) sur le DEVANT DE TIROIR (GG). Utiliser une VIS DORÉE À MÉTAUX 22 mm (37S).

ÉTAPE 8

Séparer les CONSOLES DE DEVANT DE TIROIR (9G et 10G) et les enfiler dans les rainures des CÔTÉS DE TIROIR (D211, D32, D36 et D37) comme l'indique les schémas agrandis.

REMARQUE : Les CONSOLES DE DEVANT DE TIROIR ont l'inscription "RH" (Droite) et l'inscription "LH" (Gauche) pour faciliter leur identification.

Fixer les DEVANTS DE CAISSON DE TIROIR (S et Z) aux CONSOLES DE DEVANT DE TIROIR (9G et 10G). Utiliser huit VIS TÊTE LARGE 14 mm NOIRES (1S).

Fixer les DEVANTS DE TIROIR (U et BB) sur les DEVANTS DE CAISSON DE TIROIR (S et Z). Utiliser huit VIS TÊTE GOUTTE DE SUIF 28 mm NOIRES (9S).

ÉTAPE 9

Fixer les COULISSES D'EXTENSION ÉTROITES (40NC) aux CÔTÉS DE TIROIR (D36 et D37) comme l'indique le schéma. Utiliser deux VIS TÊTE PLATE 14 mm DORÉES (3S) à travers le trou n° 3 et utiliser deux VIS TÊTE PLATE 40 mm NOIRES (3OS) à travers le trou n° 1.

Fixer le BOUTON (42K) au DEVANT DE TIROIR (BB). Utiliser une VIS À MÉTAUX 32 mm ARGENTÉE (35S) à travers le DEVANT DE CAISSON DE TIROIR, à travers le DEVANT DE TIROIR et dans le BOUTON.

ÉTAPE 10

Séparer les COULISSES D'EXTENSION LARGES (40MC) des GLISSIÈRES D'EXTENSION LARGES (40MA) comme l'indique le schéma du haut ci-dessous. Faire attention car les pièces sont graissées.

Fixer les COULISSES D'EXTENSION LARGES (40MC) aux CÔTÉS DE TIROIR POUR DOSSIERS (D211 et D32). Utiliser quatre VIS TÊTE PLATE 8 mm DORÉES (3S) à travers les trous n° 1 et n° 4.

REMARQUE : Les GLISSIÈRES D'EXTENSION seront utilisées ultérieurement.

Fixer un BOUTON (42K) sur le DEVANT DE TIROIR POUR DOSSIERS (U). Utiliser une VIS À MÉTAUX 32 mm ARGENTÉE (35S) à travers le DEVANT DE CAISSON DE TIROIR, à travers le DEVANT DE TIROIR et dans le BOUTON.

ÉTAPE 11

Enfoncer une ARMATURE POUR DOSSIERS (6B) sur le CÔTÉ DROIT DE TIROIR POUR DOSSIERS (D211).

Enfiler les GUIDES POUR DOSSIERS (8B) dans l'ARMATURE POUR DOSSIERS (6B) située sur le CÔTÉ DROIT DE TIROIR POUR DOSSIERS (D211).

Enfiler une autre ARMATURE POUR DOSSIERS (6B) sur l'autre extrémité des GUIDES POUR DOSSIERS (8B) et appuyer cette ARMATURE POUR DOSSIERS sur le CÔTÉ GAUCHE DE TIROIR POUR DOSSIERS (D32).

Fixer la CONSOLE DE SERRURE (5J) au CÔTÉ DROIT DE TIROIR POUR DOSSIERS (D211). Utiliser une VIS TÊTE LARGE 11 mm MARRON (6S).

ÉTAPE 12

Fixer les CHARNIÈRES (14H) à la PORTE (P). Utiliser quatre VIS TÊTE PLATE 13 mm NOIRES (11S).

ÉTAPE 13

Ne pas serrer les FIXATIONS TWIST-LOCK® à cette étape.

Enfoncer quatre FIXATIONS TWIST-LOCK® SAUDER (7F) dans les gros trous dans les EXTRÉMITÉS EXTERNES (A et C).

Répéter cette étape pour les EXTRÉMITÉS INTERNES (B3 et D3), les DESSOUS (I2 et J2), le VOILE DE FOND DROIT (K2), les ARRIÈRES (N et O), les PIEDS (R et T), le MONTANT DE LA TABLETTE DE CLAVIER (VV) et les deux ESPACEURS (L4).

REMARQUE : Ne pas insérer une FIXATION TWIST-LOCK® SAUDER dans les MONTANTS (E2 et F2) à ce point.

ÉTAPE 14

Fixer les GLISSIÈRES D'EXTENSION ÉTROITES (40NA) aux EXTRÉMITÉS INTERNES (B3 et D3) et aux MONTANTS (E2 et F2). Utiliser huit VIS TÊTE PLATE 8 mm DORÉES (3S) à travers les trous n° 1 et n° 4 des quatre GLISSIÈRES qui ont été fixées à l'EXTRÉMITÉ GAUCHE INTERNE (D3) et au MONTANT GAUCHE (F2). Utiliser quatre VIS TÊTE PLATE 8 mm DORÉES (3S) à travers les trous n° 1 et n° 4 des deux GLISSIÈRES qui ont été fixées à l'EXTRÉMITÉ DROITE INTERNE (B3) et au MONTANT DROIT (E2).

REMARQUE : Pour chaque GLISSIÈRE D'EXTENSION, faire tourner une VIS dans le trou indiqué dans le schéma agrandi. Ensuite, enfiler la cartouche interne de la GLISSIÈRE D'EXTENSION vers l'intérieur pour trouver l'autre trou qui est aligné sur le trou dans l'EXTRÉMITÉ et le MONTANT. Faire tourner une VIS dans ce trou.

ÉTAPE 15

Fixer les GLISSIÈRES D'EXTENSION LARGES (40MA) à l'EXTRÉMITÉ GAUCHE INTERNE (D3) et au MONTANT GAUCHE (F2). Utiliser quatre VIS TÊTE PLATE 8 mm DORÉES (3S) à travers les trous n° 1 et n° 3.

REMARQUE : Pour chaque GLISSIÈRE D'EXTENSION, faire tourner une VIS dans le trou indiqué dans le schéma agrandi. Ensuite, enfiler la cartouche interne de la GLISSIÈRE D'EXTENSION vers l'extérieur pour trouver les autres trous qui sont alignés sur les trous dans l'EXTRÉMITÉ et le MONTANT. Faire tourner une VIS dans ce trou.

ÉTAPE 16

Fixer les DEMI-DISQUES (MMM) aux PLINTHES (JJJ). Utiliser huit VIS TÊTE PLATE 25 mm MARRON (12S).

ÉTAPE 17

Fixer vingt-huit CONSOLES À ÉQUERRE (5G) aux EXTRÉMITÉS EXTERNES (A et C). Utiliser vingt-huit VIS TÊTE LARGE 14 mm NOIRES (1S).

REMARQUE : S'assurer que les chants des CONSOLES À ÉQUERRE sont à fleur des chants des EXTRÉMITÉS EXTERNES.

Fixer quatre PLINTHES (JJJ) aux EXTRÉMITÉS EXTERNES (A et C). Utiliser huit VIS TÊTE LARGE 14 mm NOIRES (1S).

ÉTAPE 18

Fixer les PLINTHES (JJJ) et les MOULURES D'EXTRÉMITÉ (M35) aux EXTRÉMITÉS EXTERNES (A et C). Utiliser vingt VIS TÊTE LARGE 14 mm NOIRES (1S).

REMARQUE : S'assurer de centrer les MOULURES D'EXTRÉMITÉ (M35) sur les DEMI-DISQUES (MMM) sur les PLINTHES (JJJ).

ÉTAPE 19

Ne pas serrer les EXCENTRIQUES ESCAMOTABLES dans cette étape.

Enfoncer deux EXCENTRIQUES ESCAMOTABLES (1F) dans le PANNEAU AVANT (QQ). Ensuite, insérer l'extrémité en métal de la CHEVILLE D'EXCENTRIQUE (2F) dans chaque EXCENTRIQUE ESCAMOTABLE.

ÉTAPE 20

Enfoncer cinq CONNECTEURS DE MOULURE (17F) dans les crans des MOULURES (BBB, CCC, DDD, EEE, FFF, GGG et HHH).

ÉTAPE 21

Placer soigneusement les MOULURES sur les DESSUS (G2 et H2).

Fixer les MOULURES (BBB, DDD et FFF) sur le DESSUS DROIT (G2) et les MOULURES (CCC, EEE, GGG et HHH) sur le DESSUS GAUCHE (H2). Utiliser vingt-six VIS TÊTE PLATE 32 mm NOIRES (7S).

REMARQUE : Ne pas trop serrer les VIS dans le DESSUS.

ÉTAPE 22

Fixer l'EXTRÉMITÉ DROITE EXTERNE (A) à la MOULURE DE CÔTÉ DROIT SUPÉRIEUR (FFF) située sur le DESSUS DROIT (G2). Serrer deux FIXATIONS TWIST-LOCK®.

Fixer l'ESPACEUR (L4) à l'EXTRÉMITÉ DROITE EXTERNE (A). Serrer deux FIXATIONS TWIST-LOCK®.

Utilisation de la FIXATION TWIST-LOCK® SAUDER

1. Insérer l'extrémité fileté de la FIXATION dans le trou de la pièce attenante.

REMARQUE : L'extrémité fileté de la FIXATION doit rester complètement insérée dans le trou de la pièce attenante lorsque l'on bloque la FIXATION.

2. Bien serrer la FIXATION à l'aide d'un tournevis Phillips.

ÉTAPE 23

Insérer deux GOUPILLES EN MÉTAL (1R) dans les trous dans le DESSUS (G2).

Fixer l'EXTRÉMITÉ DROITE INTERNE (B3) au DESSUS DROIT (G2). Serrer deux FIXATIONS TWIST-LOCK®.

REMARQUE : S'assurer de bien insérer les GOUPILLES EN MÉTAL dans l'EXTRÉMITÉ DROITE INTERNE (B3).

Fixer l'EXTRÉMITÉ DROITE INTERNE (B3) au ESPACEUR (L4). Utiliser deux VIS TÊTE PLATE 49 mm NOIRES (113S).

Fixer l'ARRIÈRE DROIT (N) à l'EXTRÉMITÉ DROITE INTERNE (B3). Serrer deux FIXATIONS TWIST-LOCK®.

ÉTAPE 24

Fixer l'EXTRÉMITÉ GAUCHE EXTERNE (C) à la MOULURE DE CÔTÉ GAUCHE SUPÉRIEUR (GGG) située sur le DESSUS GAUCHE (H2). Serrer deux FIXATIONS TWIST-LOCK®.

Fixer un ESPACEUR (L4) à l'EXTRÉMITÉ GAUCHE EXTERNE (C). Serrer deux FIXATIONS TWIST-LOCK®.

ÉTAPE 25

Insérer deux GOUPILLES EN MÉTAL (1R) dans les trous dans le DESSUS (H2).

Fixer l'EXTRÉMITÉ GAUCHE INTERNE (D3) au DESSUS GAUCHE (H2). Serrer deux FIXATIONS TWIST-LOCK®.

REMARQUE : S'assurer de bien insérer les GOUPILLES EN MÉTAL dans les trous de l'EXTRÉMITÉ GAUCHE INTERNE (D3).

Fixer l'EXTRÉMITÉ GAUCHE INTERNE (D3) au ESPACEUR (L4). Utiliser deux VIS TÊTE PLATE 49 mm NOIRES (113S).

Fixer l'ARRIÈRE GAUCHE (O) à l'EXTRÉMITÉ GAUCHE INTERNE (D3). Serrer deux FIXATIONS TWIST-LOCK®.

ÉTAPE 26

Il est possible de fixer le Tiroir de Clavier sur la droite ou la gauche du Bureau. Sauter les étapes 27 à 42 pour fixer le Tiroir de Clavier sur le côté droit du Bureau.

Sauter les étapes 43 à 58 comme il l'est indiqué ci-dessous pour fixer le Tiroir de Clavier sur le côté gauche du Bureau.

ÉTAPE 27

Fixer le VOILE DE FOND GAUCHE (L2) sur le MONTANT GAUCHE (F2). Utiliser deux VIS TÊTE PLATE 49 mm NOIRES (113S).

Insérer l'extrémité filetée des quatre FIXATIONS TWIST-LOCK® (7F) dans les gros trous du DESSUS GAUCHE (H2) et ARRIÈRE GAUCHE (O).

REMARQUE : Si les FIXATIONS TWIST-LOCK® ont été insérées dans les gros trous dans le MONTANT GAUCHE (F2), retirer les FIXATIONS des trous. Tirer sur les chants avant et arrière et faire sortir lentement les FIXATIONS des trous.

Enfoncer le MONTANT GAUCHE (F2) sur les FIXATIONS TWIST-LOCK® (7F) dans le DESSUS GAUCHE (H2) et l'ARRIÈRE GAUCHE (O). Serrer quatre FIXATIONS TWIST-LOCK®.

ÉTAPE 28

Fixer le DESSOUS GAUCHE (J2) à l'EXTRÉMITÉ GAUCHE INTERNE (D3). Serrer deux FIXATIONS TWIST-LOCK®.

Fixer le DESSOUS GAUCHE (J2) au MONTANT GAUCHE (F2). Utiliser deux VIS TÊTE PLATE 49 mm NOIRES (113S).

Fixer la PLAQUE DE CONNECTEUR (14G) au DESSUS GAUCHE (H2). Utiliser quatre VIS TÊTE LARGE 14 mm NOIRES (1S).

Faire tourner deux CLIPS POUR CORDON (9P) dans les trous du DESSUS GAUCHE (H2).

REMARQUE : Les CLIPS POUR CORDONS servent à gérer les cordons.

ÉTAPE 29

Fixer le PIED DROIT (R) sur le PIED GAUCHE (T). Serrer trois FIXATIONS TWIST-LOCK®.

Fixer les PIEDS (R et T) au DESSUS GAUCHE (H2). Serrer deux FIXATIONS TWIST-LOCK®.

Fixer le PIED GAUCHE (T) au VOILE DE FOND GAUCHE (L2). Utiliser deux VIS TÊTE GOUTTE DE SUIF 28 mm NOIRES (9S).

ÉTAPE 30

Fixer les SUPPORTS EN CORNIÈRE (31G) aux PLINTHES LATÉRALES (RR et SS). Utiliser huit VIS TÊTE LARGE 14 mm NOIRES (1S).

Fixer une CONSOLE À ÉQUERRE (5G) à la PLINTHE LATÉRALE GAUCHE (SS). Utiliser une VIS TÊTE LARGE 14 mm NOIRE (1S).

REMARQUE : S'assurer que le chant de la CONSOLE À ÉQUERRE est à fleur du chant de la PLINTHE LATÉRALE GAUCHE.

Fixer la PLINTHE LATÉRALE GAUCHE (SS) au DESSOUS GAUCHE (J2). Utiliser cinq VIS TÊTE LARGE 14 mm NOIRES (1S) à travers les trous des CONSOLES et dans les trous du DESSOUS GAUCHE.

ÉTAPE 31

Fixer huit CONSOLES À ÉQUERRE (5G) aux PLINTHES ARRIÈRE (TT et UU). Utiliser huit VIS TÊTE LARGE 14 mm NOIRES (1S).

REMARQUE : S'assurer que les CONSOLES À ÉQUERRE sont à fleur des chants des PLINTHES ARRIÈRE.

Fixer les PLINTHES ARRIÈRE GAUCHE (UU) à l'EXTRÉMITÉ GAUCHE INTERNE (D3), au DESSOUS GAUCHE (J2) et à la PLINTHE LATÉRALE GAUCHE (SS). Utiliser huit VIS TÊTE LARGE 14 mm NOIRES (1S).

ÉTAPE 32

Fixer les GLISSIÈRES D'EXTENSION ÉTROITES (40NA) sur l'autre surface du MONTANT DROIT (E2) et MONTANT DE LA TABLETTE DE CLAVIER (VV). Utiliser quatre VIS TÊTE PLATE 8 mm DORÉES (3S) à travers les trous n° 1 et n° 3.

REMARQUE : Pour chaque GLISSIÈRE D'EXTENSION, faire tourner une VIS dans le trou indiqué dans le schéma agrandi. Ensuite, enfiler la cartouche interne de la GLISSIÈRE D'EXTENSION vers l'intérieur pour trouver l'autre trou qui est aligné sur les trous dans les MONTANTS. Faire tourner une VIS dans ce trou.

ÉTAPE 33

Fixer le PANNEAU AVANT (QQ) à la MOULURE DE DEVANT GAUCHE SUPÉRIEURE (CCC) située sur le DESSUS GAUCHE (H2). Serrer deux EXCENTRIQUES ESCAMOTABLES.

Fixer le MONTANT DE LA TABLETTE DE CLAVIER (VV) au DESSUS GAUCHE (H2). Serrer deux FIXATIONS TWIST-LOCK®.

Attention

Risque des dégâts ou blessures. Les EXCENTRIQUES ESCAMOTABLES doivent être serrés à bloc. Les EXCENTRIQUES ESCAMOTABLES que ne sont pas serrés à bloc peuvent desserrer et les pièces peuvent séparer.

ÉTAPE 34

Insérer l'extrémité filetée des quatre FIXATIONS TWIST-LOCK® (7F) dans les gros trous du DESSUS DROIT (G2) et ARRIÈRE DROIT (N).

REMARQUE : Si les FIXATIONS TWIST-LOCK® ont été insérées dans les gros trous dans le MONTANT DROIT (E2), retirer les FIXATIONS des trous. Tirer sur les chants avant et arrière et faire sortir lentement les FIXATIONS des trous.

Enfoncer le MONTANT DROIT (E2) sur les FIXATIONS TWIST-LOCK® (7F) dans le DESSUS DROIT (G2) et l'ARRIÈRE DROIT (N). Serrer quatre FIXATIONS TWIST-LOCK®.

ÉTAPE 35

Fixer le VOILE DE FOND DROIT (K2) au DESSUS DROIT (G2). Serrer deux FIXATIONS TWIST-LOCK®.

Fixer le VOILE DE FOND DROIT (K2) au MONTANT DROIT (E2). Utiliser deux VIS TÊTE PLATE 49 mm NOIRES (113S).

Enfoncer un CLIP POUR CORDON (9P) dans le trou du DESSUS DROIT (G2).

REMARQUE : Le CLIP POUR CORDONS est utilisé pour gérer les cordons.

ÉTAPE 36

Fixer le DESSOUS DROIT (I2) à l'EXTRÉMITÉ DROITE INTERNE (B3). Serrer deux FIXATIONS TWIST-LOCK®.

Fixer le DESSOUS DROIT (I2) au MONTANT DROIT (E2). Utiliser deux VIS TÊTE PLATE 49 mm NOIRES (113S).

Fixer la PLINTHE LATÉRALE DROITE (RR) au DESSOUS DROIT (I2). Utiliser quatre VIS TÊTE LARGE 14 mm NOIRES (1S) à travers les trous des CONSOLES et dans les trous du DESSOUS DROIT.

ÉTAPE 37

Fixer les PLINTHES ARRIÈRE DROITE (TT) à l'EXTRÉMITÉ DROITE INTERNE (B3), au DESSOUS DROIT (I2) et à la PLINTHE LATÉRALE DROITE (RR). Utiliser huit VIS TÊTE LARGE 14 mm NOIRES (1S).

Insérer un PASSE-CÂBLES (10P) et un COUVERCLE DE PASSE-CÂBLES (1P) dans le gros trou du MONTANT DROIT (E2).

ÉTAPE 38

L'assistance d'autrui peut être nécessaire à cette étape.

Relever, avec précaution, l'élément dans sa position verticale.

Fixer la PLAQUE DE CONNECTEUR située sur le DESSUS GAUCHE (H2) au DESSUS DROIT (G2). Utiliser quatre VIS TÊTE LARGE 14 mm NOIRES (1S).

Fixer le PIED DROIT (R) au VOILE DE FOND DROIT (K2). Utiliser deux VIS TÊTE GOUTTE DE SUIF 28 mm NOIRES (9S).

ÉTAPE 39

Avant de fixer la PORTE à l'unité, s'assurer que la vis de montage se trouve contre les butées comme l'indique le schéma de droite. Si ce n'est pas le cas, desserrer la vis de montage pour la faire glisser contre les butées. Serrer ensuite la vis de montage.

Fixer la PORTE (P) sur l'EXTRÉMITÉ DROITE INTERNE (B3). Utiliser les vis fournies avec les CHARNIÈRES. Voir l'étape suivante pour réglages de la porte.

Séparer un TAMPON EN FEUTRE de la FICHE AVEC TAMPONS EN FEUTRE (1M) et le coller sur la PORTE aux endroits où celle-ci entre en contact avec le MONTANT DROIT (E2).

Fixer un BOUTON (42K) à la PORTE (P). Utiliser une VIS DORÉE À MÉTAUX 25 mm (50S).

ÉTAPE 40

Consulter le schéma agrandi pour identifier les pièces des CHARNIÈRES.

Il faut peut-être ajuster la PORTE. Suivre les indications ci-dessous pour ajuster.

RÉGLAGES DES PORTES :

Pour ajuster la PORTE latéralement (horizontalement), tourner la vis de réglage vers l'intérieur ou vers l'extérieur.

Pour ajuster la PORTE de haut en bas (verticalement), desserrer les deux vis de réglage. Déplacer la PORTE verticalement à l'emplacement désiré. Serrer les vis après avoir ajusté.

Pour ajuster la PORTE vers l'intérieur ou vers l'extérieur (profondeur), desserrer la vis de montage un tour et déplacer la PORTE vers l'intérieur ou vers l'extérieur. Serrer la vis de montage après avoir ajusté.

ÉTAPE 41

Fixer la SERRURE (1J) au MONTANT GAUCHE (F2). Utiliser deux VIS TÊTE GOUTTE DE SUIF 19 mm ARGENTÉES (52S).

Enfoncer le COUVERCLE DE SERRURE (10J) sur la SERRURE (1J).

ÉTAPE 42

La PORTE n'est représentée à cette étape.

Enfoncer les MANCHONS EN CAOUTCHOUC (2R) sur les GOUPILLES EN MÉTAL (1R). Insérer les GOUPILLES EN MÉTAL dans les trous choisis dans l'EXTRÉMITÉ DROITE INTERNE (B3) et le MONTANT DROIT (E2). Poser la TABLETTE RÉGLABLE (Q) sur les GOUPILLES EN MÉTAL.

REMARQUE : Avant d'insérer les tiroirs, s'assurer la CARTOUCHE INTERNE des GLISSIÈRES D'EXTENSION de l'unité est complètement vers l'avant. La CARTOUCHE INTERNE doit cliquer en place contre la PATTE NOIRE.

Pour insérer les tiroirs dans l'élément, aligner les COULISSES D'EXTENSION du tiroir sur les GLISSIÈRES D'EXTENSION de l'élément et enfoncer le tiroir dans l'élément jusqu'à ce que le tiroir soit complètement inséré. Le tiroir offrira une certaine résistance jusqu'à ce qu'il soit complètement inséré dans l'élément, il glissera ensuite sans difficulté. Répéter cette étape pour la TABLETTE DE CLAVIER.

Insérer les PASSE-CÂBLES (10P) et les COUVERCLES DE PASSE-CÂBLES (1P) dans le gros trou des DESSUS (G2 et H2).

REMARQUE : Prière de lire les informations importantes sur la sécurité figurant sur les pages arrière du manuel d'instructions.

Ceci complète l'assemblage pour la TABLETTE DE CLAVIER sur la droite. Nettoyer à l'aide d'une encaustique pour meubles ou d'un chiffon humide. Essuyer.

ÉTAPE 43

Fixer les GLISSIÈRES D'EXTENSION ÉTROITES (40NA) sur l'autre surface du MONTANT GAUCHE (F2) et MONTANT DE LA TABLETTE DE CLAVIER (VV). Utiliser quatre VIS TÊTE PLATE 8 mm DORÉES (3S) à travers les trous n° 1 et n° 3.

REMARQUE : Pour chaque GLISSIÈRE D'EXTENSION, faire tourner une VIS dans le trou indiqué dans le schéma agrandi. Ensuite, enfiler la cartouche interne de la GLISSIÈRE D'EXTENSION vers l'intérieur pour trouver l'autre trou qui est aligné sur les trous dans les MONTANTS. Faire tourner une VIS dans ce trou.

ÉTAPE 44

Fixer le VOILE DE FOND GAUCHE (L2) sur le MONTANT GAUCHE (F2). Utiliser deux VIS TÊTE PLATE 49 mm NOIRES (113S).

Insérer l'extrémité fileté des quatre FIXATIONS TWIST-LOCK® (7F) dans les gros trous du DESSUS GAUCHE (H2) et ARRIÈRE GAUCHE (O).

REMARQUE : Si les FIXATIONS TWIST-LOCK® ont été insérées dans les gros trous dans le MONTANT GAUCHE (F2), retirer les FIXATIONS des trous. Tirer sur les chants avant et arrière et faire sortir lentement les FIXATIONS des trous.

Enfoncer le MONTANT GAUCHE (F2) sur les FIXATIONS TWIST-LOCK® (7F) dans le DESSUS GAUCHE (H2) et l'ARRIÈRE GAUCHE (O). Serrer quatre FIXATIONS TWIST-LOCK®.

ÉTAPE 45

Fixer le DESSOUS GAUCHE (J2) à l'EXTRÉMITÉ GAUCHE INTERNE (D3). Serrer deux FIXATIONS TWIST-LOCK®.

Fixer le DESSOUS GAUCHE (J2) au MONTANT GAUCHE (F2). Utiliser deux VIS TÊTE PLATE 49 mm NOIRES (113S).

Fixer la PLAQUE DE CONNECTEUR (14G) au DESSUS GAUCHE (H2). Utiliser quatre VIS TÊTE LARGE 14 mm NOIRES (1S).

Faire tourner deux CLIPS POUR CORDON (9P) dans les trous du DESSUS GAUCHE (H2).

REMARQUE : Les CLIPS POUR CORDONS servent à gérer les cordons.

ÉTAPE 46

Fixer le PIED DROIT (R) sur le PIED GAUCHE (T). Serrer trois FIXATIONS TWIST-LOCK®.

Fixer les PIEDS (R et T) au DESSUS GAUCHE (H2). Serrer deux FIXATIONS TWIST-LOCK®.

Fixer le PIED GAUCHE (T) au VOILE DE FOND GAUCHE (L2). Utiliser deux VIS TÊTE GOUTTE DE SUIF 28 mm NOIRES (9S).

ÉTAPE 47

Fixer les SUPPORTS EN CORNIÈRE (31G) aux PLINTHES LATÉRALES (RR et SS). Utiliser huit VIS TÊTE LARGE 14 mm NOIRES (1S).

Fixer une CONSOLE À ÉQUERRE (5G) à la PLINTHE LATÉRALE GAUCHE (SS). Utiliser une VIS TÊTE LARGE 14 mm NOIRE (1S).

REMARQUE : S'assurer que le chant de la CONSOLE À ÉQUERRE est à fleur du chant de la PLINTHE LATÉRALE GAUCHE.

Fixer la PLINTHE LATÉRALE GAUCHE (SS) au DESSOUS GAUCHE (J2). Utiliser cinq VIS TÊTE LARGE 14 mm NOIRES (1S) à travers les trous des CONSOLES et dans les trous du DESSOUS GAUCHE.

ÉTAPE 48

Fixer huit CONSOLES À ÉQUERRE (5G) aux PLINTHES ARRIÈRE (TT et UU). Utiliser huit VIS TÊTE LARGE 14 mm NOIRES (1S).

REMARQUE : S'assurer que les CONSOLES À ÉQUERRE sont à fleur des chants des PLINTHES ARRIÈRE.

Fixer les PLINTHES ARRIÈRE GAUCHE (UU) à l'EXTRÉMITÉ GAUCHE INTERNE (D3), au DESSOUS GAUCHE (J2) et à la PLINTHE LATÉRALE GAUCHE (SS). Utiliser huit VIS TÊTE LARGE 14 mm NOIRES (1S).

ÉTAPE 49

Insérer l'extrémité fileté des quatre FIXATIONS TWIST-LOCK® (7F) dans les gros trous du DESSUS DROIT (G2) et ARRIÈRE DROIT (N).

REMARQUE : Si les FIXATIONS TWIST-LOCK® ont été insérées dans les gros trous dans le MONTANT DROIT (E2), retirer les FIXATIONS des trous. Tirer sur les chants avant et arrière et faire sortir lentement les FIXATIONS des trous.

Enfoncer le MONTANT DROIT (E2) sur les FIXATIONS TWIST-LOCK® (7F) dans le DESSUS DROIT (G2) et l'ARRIÈRE DROIT (N). Serrer quatre FIXATIONS TWIST-LOCK®.

ÉTAPE 50

Fixer le VOILE DE FOND DROIT (K2) au DESSUS DROIT (G2).
Serrer deux FIXATIONS TWIST-LOCK®.

Fixer le VOILE DE FOND DROIT (K2) au MONTANT DROIT (E2).
Utiliser deux VIS TÊTE PLATE 49 mm NOIRES (113S).

Enfoncer un CLIP POUR CORDON (9P) dans le trou du DESSUS DROIT (G2).

REMARQUE : Le CLIP POUR CORDONS est utilisé pour gérer les cordons.

ÉTAPE 51

Fixer le DESSOUS DROIT (I2) à l'EXTRÉMITÉ DROITE INTERNE (B3).
Serrer deux FIXATIONS TWIST-LOCK®.

Fixer le DESSOUS DROIT (I2) au MONTANT DROIT (E2). Utiliser deux VIS TÊTE PLATE 49 mm NOIRES (113S).

Fixer la PLINTHE LATÉRALE DROITE (RR) au DESSOUS DROIT (I2).
Utiliser quatre VIS TÊTE LARGE 14 mm NOIRES (1S) à travers les trous des CONSOLES et dans les trous du DESSOUS DROIT.

ÉTAPE 52

Fixer les PLINTHES ARRIÈRE DROITE (TT) à l'EXTRÉMITÉ DROITE INTERNE (B3), au DESSOUS DROIT (I2) et à la PLINTHE LATÉRALE DROITE (RR). Utiliser huit VIS TÊTE LARGE 14 mm NOIRES (1S).

Insérer un PASSE-CÂBLES (10P) et un COUVERCLE DE PASSE-CÂBLES (1P) dans le gros trou du MONTANT DROIT (E2).

ÉTAPE 53

Fixer le PANNEAU AVANT (QQ) à la MOULURE DE DEVANT DROITE SUPÉRIEURE (BBB) située sur le DESSUS DROIT (G2).
Serrer deux EXCENTRIQUES ESCAMOTABLES.

Fixer le MONTANT DE LA TABLETTE DE CLAVIER (VV) au DESSUS GAUCHE (H2). Serrer deux FIXATIONS TWIST-LOCK®.

Attention

Risque des dégâts ou blessures. Les EXCENTRIQUES ESCAMOTABLES doivent être serrés à bloc. Les EXCENTRIQUES ESCAMOTABLES que ne sont pas serrés à bloc peuvent desserrer et les pièces peuvent séparer.

ÉTAPE 54

L'assistance d'autrui peut être nécessaire à cette étape.

Relever, avec précaution, l'élément dans sa position verticale.

Fixer la PLAQUE DE CONNECTEUR située sur le DESSUS GAUCHE (H2) au DESSUS DROIT (G2). Utiliser quatre VIS TÊTE LARGE 14 mm NOIRES (1S).

Fixer le PIED DROIT (R) au VOILE DE FOND DROIT (K2). Utiliser deux VIS TÊTE GOUTTE DE SUIF 28 mm NOIRES (9S).

ÉTAPE 55

Avant de fixer la PORTE à l'unité, s'assurer que la vis de montage se trouve contre les butées comme l'indique le schéma de droite. Si ce n'est pas le cas, desserrer la vis de montage pour la faire glisser contre les butées. Serrer ensuite la vis de montage.

Fixer la PORTE (P) sur l'EXTRÉMITÉ DROITE INTERNE (B3).
Utiliser les vis fournies avec les CHARNIÈRES. Voir l'étape suivante pour réglages de la porte.

Séparer un TAMPON EN FEUTRE de la FICHE AVEC TAMPONS EN FEUTRE (1M) et le coller sur la PORTE aux endroits où celle-ci entre en contact avec le MONTANT DROIT (E2).

Fixer un BOUTON (42K) à la PORTE (P). Utiliser une VIS DORÉE À MÉTAUX 25 mm (50S).

ÉTAPE 56

Consulter le schéma agrandi pour identifier les pièces des CHARNIÈRES.

Il faut peut-être ajuster la PORTE. Suivre les indications ci-dessous pour ajuster.

RÉGLAGES DES PORTES : Pour ajuster la PORTE latéralement (horizontalement), tourner la vis de réglage vers l'intérieur ou vers l'extérieur.

Pour ajuster la PORTE de haut en bas (verticalement), desserrer les deux vis de réglage. Déplacer la PORTE verticalement à l'emplacement désiré. Serrer les vis après avoir ajusté.

Pour ajuster la PORTE vers l'intérieur ou vers l'extérieur (profondeur), desserrer la vis de montage un tour et déplacer la PORTE vers l'intérieur ou vers l'extérieur. Serrer la vis de montage après avoir ajusté.

ÉTAPE 57

Fixer la SERRURE (1J) au MONTANT GAUCHE (F2). Utiliser deux VIS TÊTE GOUTTE DE SUIF 19 mm ARGENTÉES (52S).

Enfoncer le COUVERCLE DE SERRURE (10J) sur la SERRURE (1J).

ÉTAPE 58

La PORTE n'est représentée à cette étape.

Enfoncer les MANCHONS EN CAOUTCHOUC (2R) sur les GOUPILLES EN MÉTAL (1R). Insérer les GOUPILLES EN MÉTAL dans les trous choisis dans l'EXTRÉMITÉ DROITE INTERNE (B3) et le MONTANT DROIT (E2). Poser la TABLETTE RÉGLABLE (Q) sur les GOUPILLES EN MÉTAL.

REMARQUE : Avant d'insérer les tiroirs, s'assurer que la CARTOUCHE INTERNE des GLISSIÈRES D'EXTENSION de l'unité est complètement vers l'avant. La CARTOUCHE INTERNE doit cliquer en place contre la PATTE NOIRE.

Pour insérer les tiroirs dans l'élément, aligner les COULISSES D'EXTENSION du tiroir sur les GLISSIÈRES D'EXTENSION de l'élément et enfoncer le tiroir dans l'élément jusqu'à ce que le tiroir soit complètement inséré. Le tiroir offrira une certaine résistance jusqu'à ce qu'il soit complètement inséré dans l'élément, il glissera ensuite sans difficulté. Répéter cette étape pour la TABLETTE DE CLAVIER.

Insérer les PASSE-CÂBLES (10P) et les COUVERCLES DE PASSE-CÂBLES (1P) dans le gros trou des DESSUS (G2 et H2).

REMARQUE : Prière de lire les informations importantes sur la sécurité figurant sur les pages arrière du manuel d'instructions.

Ceci complète l'assemblage. Nettoyer à l'aide d'une encaustique pour meubles ou d'un chiffon humide. Essuyer.

Use estas instrucciones de ensamblaje en español junto con las figuras paso-a-paso provistas en el folleto inglés. Cada paso en español corresponde al mismo paso en inglés. Se destacan las figuras de cada paso con una tonalidad oscura para mostrar precisamente cual parte se debe montar a la unidad. Compare la "Lista de Part" abajo con la "Part Identification" en el folleto en inglés para familiarizarse con Las partes de ensamblaje.

NOTA: ESTE FOLLETO DE INSTRUCCIONES CONTIENE INFORMACIÓN IMPORTANTE SOBRE LA SEGURIDAD. POR FAVOR LEA Y GUÁRDELO PARA REFERENCIA EN EL FUTURO.

ESTAMOS AQUI PARA AYUDAR!

Tratamos de asegurar que su mueble llega en condición excelente. Nuestros representantes de Servicio al Cliente son amables y listos para ayudarle con servicio rápido y eficiente si una parte está defectuosa o ausente (o si necesita ayuda con el ensamblaje).

NO DEVUELVA LA UNIDAD A LA TIENDA. Llame este número sin cargo:

1-800-523-3987

Lunes a viernes, 9:00 a.m. - 5:30 p.m.

Hora oficial del Este

(excepto días festivos)

Si requiere un repuesto de una parte, será enviado dentro de 48 horas (excepto los fines de semana y días festivos)

A l'usage exclusif du Canada Noter la date d'achat de cet élément et conserver le livret pour future référence. Pour contacter Sauder en ce qui concerne cet élément, faire référence au numéro de lot et numéro de modèle en appelant notre numéro sans frais.

Lot nº : _____

Date de l'achat: _____

| LISTA DE PARTES | | | LISTA DE PARTES | | |
|-----------------|--|----------|-----------------|--|----------|
| ITEM | DESCRIPCIÓN | CANTIDAD | ITEM | DESCRIPCIÓN | CANTIDAD |
| A | EXTREMO DERECHO EXTERIOR..... | 1 | D35 | LADO IZQUIERDO DE CAJÓN (Superior Izquierdo)..... | 1 |
| B3 | EXTREMO DERECHO INTERIOR..... | 1 | D716 | FONDO DE CAJÓN..... | 2 |
| C | EXTREMO IZQUIERDO EXTERIOR..... | 1 | | (JUEGO DE EXTENSIÓN SE MUESTRA POR SEPARADO) | |
| D3 | EXTREMO IZQUIERDO INTERIOR..... | 1 | 40MA | RIEL DE EXTENSIÓN ANCHO..... | 2 |
| E2 | PARAL DERECHO..... | 1 | 40MC | CORREDERA DE EXTENSIÓN ANCHA..... | 2 |
| F2 | PARAL IZQUIERDO..... | 1 | 40NA | RIEL DE EXTENSIÓN ESTRECHO..... | 8 |
| G2 | PANEL SUPERIOR DERECHO..... | 1 | 40NC | CORREDERA DE EXTENSIÓN ESTRECHA..... | 8 |
| H2 | PANEL SUPERIOR IZQUIERDO..... | 1 | 6B | CORRIMIENTO DE ARCHIVERO..... | 2 |
| I2 | FONDO DERECHO..... | 1 | 8B | VARILLA DE ARCHIVERO..... | 2 |
| J2 | FONDO IZQUIERDO..... | 1 | 1F | EXCÉNTRICO ESCONDIDO..... | 2 |
| K2 | VELO DE FONDO DERECHO..... | 1 | 2F | PASADOR DE EXCÉNTRICO..... | 2 |
| L2 | VELO DE FONDO IZQUIERDO..... | 1 | 7F | SUJETADOR TWIST-LOCK®..... | 37 |
| N | DORSO DERECHO..... | 1 | 17F | CONECTOR DE MOLDURA..... | 5 |
| O | DORSO IZQUIERDO..... | 1 | 5G | SOPORTE ANGULAR..... | 37 |
| P | PUERTA..... | 1 | 6G | MÉNSULA DE CARA DE CAJÓN SUPERIOR..... | 2 |
| Q | ESTANTE AJUSTABLE..... | 1 | 9G | MÉNSULA DE CARA DE CAJÓN..... | 1 |
| R | PATA DERECHA..... | 1 | 10G | MÉNSULA DE CARA DE CAJÓN GRANDE..... | 2 |
| T | PATA IZQUIERDA..... | 1 | 14G | PLACA DE CONECTOR..... | 1 |
| QQ | PANEL DELANTERO..... | 1 | 31G | MÉNSULA DE ESQUINA..... | 4 |
| RR | FALDÓN LATERAL DERECHO..... | 1 | 12H | BISAGRA..... | 2 |
| SS | FALDÓN LATERAL IZQUIERDO..... | 1 | 14H | BISAGRA..... | 2 |
| TT | FALDÓN POSTERIOR DERECHO..... | 2 | 1J | SEGURO..... | 1 |
| UU | FALDÓN POSTERIOR IZQUIERDO..... | 2 | 5J | SOPORTE DE SEGURO..... | 1 |
| VV | PARAL DE TECLADO..... | 1 | 10J | CUBIERTA DE SEGURO..... | 1 |
| WW | CARA DE ESTANTE DE TECLADO..... | 1 | 42K | POMO..... | 6 |
| XX | DORSO DE ESTANTE DE TECLADO..... | 1 | 1M | TARJETA CON TOPES DE FIELTRO..... | 1 |
| YY | LADO DERECHO DE ESTANTE DE TECLADO..... | 1 | 1P | CUBIERTA DE OJAL..... | 3 |
| ZZ | LADO IZQUIERDO DE ESTANTE DE TECLADO..... | 1 | 9P | GRAPA DE CABLE..... | 3 |
| AAA | ESTANTE DE TECLADO..... | 1 | 10P | OJAL..... | 3 |
| BBB | MOLDURA DELANTERA DE PANEL SUPERIOR DERECHO..... | 1 | 1R | ESPIGA DE METAL..... | 8 |
| CCC | MOLDURA DELANTERA DE PANEL SUPERIOR IZQUIERDO..... | 1 | 2R | MANGUITO DE GOMA..... | 4 |
| DDD | MOLDURA POSTERIOR DE PANEL SUPERIOR..... | 1 | 1S | TORNILLO NEGRO DE CABEZA GRANDE de 14 mm..... | 118 |
| EEE | MOLDURA POSTERIOR DE PANEL SUPERIOR IZQUIERDA..... | 1 | 3S | TORNILLO DORADO DE CABEZA PERDIDA de 8 mm..... | 34 |
| FFF | MOLDURA LATERAL DE PANEL SUPERIOR DERECHO..... | 1 | 6S | TORNILLO MARRÓN DE CABEZA GRANDE de 11 mm..... | 1 |
| GGG | MOLDURA LATERAL DE PANEL SUPERIOR IZQUIERDO..... | 1 | 7S | TORNILLO NEGRO DE CABEZA PERDIDA de 32 mm..... | 26 |
| HHH | MOLDURA POSTERIOR SUPERIOR DERECHA..... | 1 | 9S | TORNILLO NEGRO DE CABEZA REDONDA de 28 mm..... | 12 |
| JJJ | PLINTO..... | 8 | 11S | TORNILLO NEGRO DE CABEZA PERDIDA de 13 mm..... | 4 |
| L4 | SEPARADOR..... | 2 | 12S | TORNILLO MARRÓN DE CABEZA PERDIDA de 25 mm..... | 8 |
| MMM | DISCO MEDIO..... | 8 | 14S | TORNILLO MARRÓN DE CABEZA PERDIDA de 38 mm..... | 6 |
| M35 | MOLDURA DE EXTREMO..... | 4 | 23S | TORNILLO PLATEADO DE CABEZA PERDIDA de 16 mm..... | 4 |
| S | FRENTE DE CAJÓN DEL ARCHIVERO..... | 1 | 30S | TORNILLO NEGRO DE CABEZA PERDIDA de 40 mm..... | 16 |
| U | CARA DE CAJÓN DEL ARCHIVERO..... | 1 | 35S | TORNILLO PLATEADO PARA METAL de 32 mm..... | 2 |
| D78 | DORSO DE CAJÓN DEL ARCHIVERO..... | 1 | 37S | TORNILLO NEGRO PARA METAL de 22 mm..... | 3 |
| D211 | LADO DERECHO DE CAJÓN DEL ARCHIVERO..... | 1 | 50S | TORNILLO DORADO PARA METAL de 25 mm..... | 1 |
| D32 | LADO IZQUIERDO DE CAJÓN DEL ARCHIVERO..... | 1 | 52S | TORNILLO PLATEADO DE CABEZA REDONDA de 19 mm..... | 2 |
| D708 | FONDO DE CAJÓN DEL ARCHIVERO..... | 1 | 54S | TORNILLO PLATEADO DE CABEZA GRANDE de 14 mm..... | 2 |
| Z | FRENTE DE CAJÓN..... | 1 | 74S | TORNILLO PEQUEÑO NEGRO DE CABEZA PERDIDA de 32 mm..... | 2 |
| BB | CARA DE CAJÓN..... | 1 | 113S | TORNILLO NEGRO DE CABEZA PERDIDA de 49 mm..... | 12 |
| D77 | DORSO DE CAJÓN..... | 1 | | | |
| D36 | LADO DERECHO DE CAJÓN..... | 1 | | | |
| D37 | LADO IZQUIERDO DE CAJÓN..... | 1 | | | |
| GG | CARA DE CAJÓN SUPERIOR DERECHO..... | 1 | | | |
| D76 | DORSO DE CAJÓN SUPERIOR DERECHO..... | 1 | | | |
| D46 | LADO DERECHO DE CAJÓN (Superior Derecho)..... | 1 | | | |
| D47 | LADO IZQUIERDO DE CAJÓN (Superior Derecho)..... | 1 | | | |
| D958 | FONDO DE CAJÓN SUPERIOR DERECHO..... | 1 | | | |
| LL | CARA DE CAJÓN SUPERIOR IZQUIERDO..... | 1 | | | |
| D74 | DORSO DE CAJÓN SUPERIOR IZQUIERDO..... | 1 | | | |
| D34 | LADO DERECHO DE CAJÓN (Superior Izquierdo)..... | 1 | | | |

PASO 1

Ensamble la unidad sobre un piso alfombrado o sobre el cartón vacío para evitar rayar la unidad o el piso.

Para comenzar el ensamblaje, fije los LADOS DE ESTANTE DE TECLADO (YY y ZZ) al ESTANTE DE TECLADO (AAA). Utilice cuatro TORNILLOS MARRONES DE CABEZA PERDIDA de 38 mm (14S).

PASO 2

Fije las BISAGRAS DE ESTANTE DE TECLADO (12H) a la CARA DE ESTANTE DE TECLADO (WW). Utilice cuatro TORNILLOS PLATEADOS DE CABEZA PERDIDA de 16 mm (23S).

Fije las BISAGRAS DE ESTANTE DE TECLADO (12H) al ESTANTE DE TECLADO (AAA). Utilice dos TORNILLOS PLATEADOS DE CABEZA GRANDE de 14 mm (54S).

PASO 3

NOTA: Antes de comenzar este paso, separe los JUEGOS DE EXTENSIÓN ESTRECHOS (40NA y 40NC) de los JUEGOS DE EXTENSIÓN ANCHOS (40MA y 40MC). No mezcle estos JUEGOS una vez que estén separados.

Separe las CORREDERAS DE EXTENSIÓN ESTRECHAS (40NC) de los RIELES DE EXTENSIÓN ESTRECHOS (40NA) como se muestra en el diagrama superior más abajo. Prepárese, las piezas son grasientas.

Fije las CORREDERAS DE EXTENSIÓN ESTRECHAS (40NC) a los LADOS DE ESTANTE DE TECLADO (YY y ZZ). Introduzca dos TORNILLOS DORADOS DE CABEZA PERDIDA de 8 mm (3S) a través el agujero No. 3 e introduzca dos TORNILLOS MARRONES DE CABEZA PERDIDA de 38 mm (14S) a través el agujero No. 1 y en el DORSO DE ESTANTE DE TECLADO (XX).

A continuación, fije el DORSO DE ESTANTE DE TECLADO (XX) al ESTANTE DE TECLADO (AAA). Utilice dos TORNILLOS PEQUEÑOS NEGROS DE CABEZA PERDIDA de 32 mm (74S).

Fije el POMO (42K) a la CARA DE ESTANTE DE TECLADO (WW). Utilice un TORNILLO DORADO PARA METAL 22 mm (37S).

PASO 4

Fije los LADOS DE CAJÓN (D34, D35, D36, D37, D46, D47, D211, D32) a los DORSOS DE CAJÓN (D74, D77, D76 y D78). Utilice doce TORNILLOS NEGROS DE CABEZA PERDIDA de 40 mm (30S). Asegúrese de utilizar las partes exactas que se muestran.

NOTA: El cajón pequeño y el cajón sólo llevarán un TORNILLO en cada lado. Asegúrese de usar el agujero superior.

Deslice los FONDOS DE CAJÓN (D708, D716, D958) en las ranuras de los LADOS DE CAJÓN (D34, D35, D36, D37, D46, D47, D211, D32) y los DORSOS DE CAJÓN (D74, D77, D76 y D78). Asegúrese de utilizar las partes exactas que se muestran.

PASO 5

Separe las MÉNSULAS DE CARA DE CAJÓN SUPERIOR (6G) y deslícelas dentro de las ranuras de los LADOS DE CAJÓN (D34 y D35) y los LADOS DE CAJÓN (D46 y D47).

NOTA: Las MÉNSULAS DE CARA DE CAJÓN tienen una inscripción "RH" (derecha) y una inscripción "LH" (izquierda) para identificarlas fácilmente.

Fije la CARA DE CAJÓN SUPERIOR (GG y LL) a las MÉNSULAS DE CARA DE CAJÓN SUPERIOR (6G). Utilice cuatro TORNILLOS NEGROS DE CABEZA GRANDE de 14 mm (1S).

PASO 6

Fije las CORREDERAS DE EXTENSIÓN ESTRECHAS (40NC) a los LADOS DE CAJÓN (D34 y D35) como se muestra. Introduzca dos TORNILLOS DORADOS DE CABEZA PERDIDA de 8 mm (3S) a través el agujero No. 3 e introduzca dos TORNILLOS NEGROS DE CABEZA PERDIDA de 40 mm (30S) a través el agujero No. 1.

Fije un POMO (42K) a la CARA DE CAJÓN (LL). Utilice un TORNILLO DORADO PARA METAL 22 mm (37S).

PASO 7

Fije las CORREDERAS DE EXTENSIÓN ESTRECHAS (40NC) a los LADOS DE CAJÓN (D46 y D47). Utilice cuatro TORNILLOS DORADOS DE CABEZA PERDIDA de 8 mm (3S) a través de los agujeros No. 1 y No. 3.

Fije un POMO (42K) a la CARA DE CAJÓN (GG). Utilice un TORNILLO DORADO PARA METAL 22 mm (37S).

PASO 8

Separe las MÉNSULAS DE CARA DE CAJÓN (9G y 10G) y deslícelas en las ranuras de los LADOS DE CAJÓN (D211, D32, D36 y D37) como se muestra en los diagramas ampliados.

NOTA: Las MÉNSULAS DE CARA DE CAJÓN tienen una inscripción "RH" (derecha) y una inscripción "LH" (izquierda) para identificarlas fácilmente.

Fije los FRENTES DE CAJÓN (S y Z) a las MÉNSULAS DE CARA DE CAJÓN (9G y 10G). Utilice ocho TORNILLOS NEGROS DE CABEZA GRANDE de 14 mm (1S).

Fije las CARAS DE CAJÓN (U y BB) a los FRENTES DE CAJÓN (S y Z). Utilice ocho TORNILLOS NEGROS DE CABEZA REDONDA de 28 mm (9S).

PASO 9

Fije las CORREDERAS DE EXTENSIÓN ESTRECHAS (40NC) a los LADOS DE CAJÓN (D36 y D37) como se muestra. Introduzca dos TORNILLOS DORADOS DE CABEZA PERDIDA de 8 mm (3S) a través el agujero No. 3 e introduzca dos TORNILLOS NEGROS DE CABEZA PERDIDA de 40 mm (30S) a través el agujero No. 1.

Fije el POMO (42K) a la CARA DE CAJÓN (BB). Pase un TORNILLO PLATEADO PARA METAL de 32 mm (35S) a través del FRENTE DE CAJÓN, a través de la CARA DE CAJÓN y en el POMO.

PASO 10

Separe las CORREDERAS DE EXTENSIÓN ANCHAS (40MC) de los RIELES DE EXTENSIÓN ANCHOS (40MA) como se muestra en el diagrama superior más abajo. Prepárese, las piezas son grasientas.

Fije las CORREDERAS DE EXTENSIÓN ANCHAS (40MC) a los LADOS DE CAJÓN DEL ARCHIVERO (D211 y D32). Utilice cuatro TORNILLOS DORADOS DE CABEZA PERDIDA de 8 mm (3S) a través de los agujeros No. 1 y No. 4.

NOTA: Los RIELES DE EXTENSIÓN se utilizarán más tarde.

Fije el POMO (42K) a la CARA DE CAJÓN DEL ARCHIVERO (U). Pase un TORNILLO PLATEADO PARA METAL de 32 mm (35S) a través del FRENTE DE CAJÓN, a través de la CARA DE CAJÓN y en el POMO.

PASO 11

Empuje un CORRIMIENTO DE ARCHIVERO (6B) sobre el LADO DERECHO DE CAJÓN DEL ARCHIVERO (D211).

Deslice las VARILLAS DE ARCHIVERO (8B) en el CORRIMIENTO DE ARCHIVERO (6B) sujeta al LADO DERECHO DE CAJÓN DEL ARCHIVERO (D211).

Deslice otro CORRIMIENTO DE ARCHIVERO (6B) sobre el otro extremo de las VARILLAS DE ARCHIVERO (8B) y presione este CORRIMIENTO DE ARCHIVERO sobre el LADO IZQUIERDO DE CAJÓN DEL ARCHIVERO (D32).

Fije el SOPORTE DE CERRADURA (5J) al LADO DERECHO DE CAJÓN DEL ARCHIVERO (D211). Utilice un TORNILLO MARRON DE CABEZA GRANDE de 11 mm (6S).

PASO 12

Fije las BISAGRAS (14H) a la PUERTA (P). Utilice cuatro TORNILLOS NEGROS DE CABEZA PERDIDA de 13 mm (11S).

PASO 13

No apriete los SUJETADORES TWIST-LOCK® en este paso.

Empuje cuatro SUJETADORES TWIST-LOCK® SAUDER (7F) dentro de los agujeros grandes de los EXTREMOS EXTERIORES (A y C).

Repita este paso para los EXTREMOS INTERIORES (B3 y D3), los FONDOS (I2 y J2), el VELO DE FONDO DERECHO (K2), los DORSOS (N y O), las PATAS (R y T), el PARAL DE ESTANTE DE TECLADO (VV) y dos ESPACIADORES (L4).

NOTA: No inserte un SUJETADOR TWIST-LOCK® SAUDER en los PARALES (E2 y F2) en este momento.

PASO 14

Fije los RIELES DE EXTENSIÓN ESTRECHOS (40NA) a los EXTREMOS INTERIORES (B3 y D3) y a los PARALES (E2 y F2). Utilice ocho TORNILLOS DORADOS DE CABEZA PERDIDA de 8 mm (3S) a través de los agujeros No. 1 y No. 3 en cuatro RIELES que se fijan al EXTREMO IZQUIERDO INTERIOR (D3) y al PARAL IZQUIERDO (F2). Inserte cuatro TORNILLOS DORADOS DE CABEZA PERDIDA de 8 mm (3S) a través de los agujeros No. 1 y No. 4 de las CORREDERAS en dos RIELES que se fijan al EXTREMO DERECHO INTERIOR (B3) y al PARAL DERECHO (E2).

PASO 14 (CONTINUACIÓN)

NOTA: Para cada RIEL DE EXTENSIÓN, atornille un TORNILLO dentro del agujero indicado en el diagrama ampliado. A continuación, deslice el cartucho interno del RIEL DE EXTENSIÓN hacia el interior para encontrar el otro agujero que se alinea con el agujero del EXTREMO y PARAL. Atornille un TORNILLO dentro de este agujero.

PASO 15

Fije los RIELES DE EXTENSIÓN ANCHAS (40MA) al EXTREMO IZQUIERDO INTERIOR (D3) y al PARAL IZQUIERDO (F2). Utilice cuatro TORNILLOS DORADOS DE CABEZA PERDIDA de 8 mm (3S) a través de los agujeros No. 1 y No. 3.

NOTA: Para cada RIEL DE EXTENSIÓN, atornille un TORNILLO dentro del agujero indicado en el diagrama ampliado. A continuación, deslice el cartucho interno del RIEL DE EXTENSIÓN hacia el exterior para encontrar los otros agujeros que se alinean con los agujeros del EXTREMO y PARAL. Atornille un TORNILLO dentro de este agujero.

PASO 16

Fije los MEDIOS CÍRCULOS (MMM) a las BASES (JJJ). Utilice ocho TORNILLOS MARRONES DE CABEZA PERDIDA de 25 mm (12S).

PASO 17

Fije veintiocho SOPORTES ANGULARES (5G) a los EXTREMOS EXTERIORES (A y C). Utilice veintiocho TORNILLOS NEGROS DE CABEZA GRANDE de 14 mm (1S).

NOTA: Asegúrese que los bordes de los SOPORTES ANGULARES estén nivelados con los bordes de los EXTREMOS EXTERIORES.

Fije cuatro BASES (JJJJ) a los EXTREMOS EXTERIORES (A y C). Utilice ocho TORNILLOS NEGROS DE CABEZA GRANDE de 14 mm (1S).

PASO 18

Fije las BASES (JJJ) y las MOLDURAS DE EXTREMO (M35) a los EXTREMOS EXTERIORES (A y C). Utilice veinte TORNILLOS NEGROS DE CABEZA GRANDE de 14 mm (1S).

NOTA: Asegúrese de centrar las MOLDURAS DE EXTREMO (M35) sobre los MEDIOS CÍRCULOS (MMM) en las BASES (JJJ).

PASO 19

No apriete los EXCÉNTRICOS ESCONDIDOS en este paso.

Empuje dos EXCÉNTRICOS ESCONDIDOS (1F) en el PANEL DELANTERO (QQ). A continuación, inserte el extremo de metal de un PASADOR DE EXCÉNTRICO (2F) dentro de cada EXCÉNTRICO ESCONDIDO.

PASO 20

Ligeramente clave cinco CONECTORES DE MOLDURA (17F) en las muescas de las MOLDURAS (BBB, CCC, DDD, EEE, FFF, GGG y HHH).

PASO 21

Cuidadosamente coloque las MOLDURAS sobre los PANELES SUPERIORES (G2 y H2).

Fije las MOLDURAS (BBB, DDD y FFF) al PANEL SUPERIOR DERECHO (G2) y las MOLDURAS (CCC, EEE, GGG y HHH) al PANEL SUPERIOR IZQUIERDO (H2). Utilice veintiséis TORNILLOS NEGROS DE CABEZA PERDIDA de 32 mm (7S).

NOTA: No apriete en exceso los TORNILLOS en el PANEL SUPERIOR.

PASO 22

Fije el EXTREMO DERECHO EXTERIOR (A) a la MOLDURA LATERAL DE PANEL SUPERIOR DERECHA (FFF) sujeta al PANEL SUPERIOR DERECHO (G2). Apriete dos SUJETADORES TWIST-LOCK®.

Fije el SEPARADOR (L4) al EXTREMO DERECHO EXTERIOR (A). Apriete dos SUJETADORES TWIST-LOCK®.

Cómo utilizar el SUJETADOR TWIST-LOCK® SAUDER

1. Inserte el extremo con cabilla del SUJETADOR en el agujero de la parte adjunta.

NOTA: El extremo con cabilla del SUJETADOR debe quedarse completamente insertado en el agujero de la parte adjunta cuando se enclava el SUJETADOR.

2. Apriete el SUJETADOR lo más apretado posible con un destornillador Phillips (cruz).

PASO 23

Inserte dos ESPIGAS DE METAL (1R) en los agujeros en el PANEL SUPERIOR (G2).

Fije el EXTREMO DERECHO INTERIOR (B3) al PANEL SUPERIOR DERECHO (G2). Apriete dos SUJETADORES TWIST-LOCK®.

NOTA: Asegúrese de que las ESPIGAS DE METAL se inserten dentro de los agujeros en el EXTREMO DERECHO INTERIOR (B3).

Fije el EXTREMO DERECHO INTERIOR (B3) al SEPARADOR (L4). Utilice dos TORNILLOS NEGROS DE CABEZA PERDIDA de 49 mm (113S).

Fije el DORSO DERECHO (N) al EXTREMO DERECHO INTERIOR (B3). Apriete dos SUJETADORES TWIST-LOCK®.

PASO 24

Fije el EXTREMO IZQUIERDO EXTERIOR (C) a la MOLDURA LATERAL DE PANEL SUPERIOR IZQUIERDO (GGG) sujeta al PANEL SUPERIOR IZQUIERDO (H2). Apriete dos SUJETADORES TWIST-LOCK®.

Fije un SEPARADOR (L4) al EXTREMO IZQUIERDO EXTERIOR (C). Apriete dos SUJETADORES TWIST-LOCK®.

PASO 25

Inserte dos ESPIGAS DE METAL (1R) en los agujeros en el PANEL SUPERIOR (H2).

Fije el EXTREMO IZQUIERDO INTERIOR (D3) al PANEL SUPERIOR IZQUIERDO (H2). Apriete dos SUJETADORES TWIST-LOCK®.

NOTA: Asegúrese de que las ESPIGAS DE METAL se inserten dentro de los agujeros en el EXTREMO IZQUIERDO INTERIOR (D3).

Fije el EXTREMO IZQUIERDO INTERIOR (D3) al SEPARADOR (L4). Utilice dos TORNILLOS NEGROS DE CABEZA PERDIDA de 49 mm (113S).

Fije el DORSO IZQUIERDO (O) al EXTREMO IZQUIERDO INTERIOR (D3). Apriete dos SUJETADORES TWIST-LOCK®.

PASO 26

Usted tiene la opción de fijar el Cajón de Teclado en el lado derecho o en el lado izquierdo de su Escritorio. Salte los pasos desde el 27 hasta el 42 para fijar el Cajón de Teclado al lado derecho de su Escritorio.

Salte los pasos desde el 43 hasta el 58 para fijar el Cajón de Teclado al lado izquierdo de su Escritorio.

PASO 27

Fije el VELO DE FONDO IZQUIERDO (L2) al PARAL IZQUIERDO (F2). Utilice dos TORNILLOS NEGROS DE CABEZA PERDIDA de 49 mm (113S).

Inserte el extremo con cabilla de cuatro SUJETADORES TWIST-LOCK® (7F) en los agujeros grandes del PANEL SUPERIOR IZQUIERDO (H2) y del DORSO IZQUIERDO (O).

NOTA: Si ya ha empujado los SUJETADORES TWIST-LOCK® dentro de los agujeros grandes del PARAL IZQUIERDO (F2), retire los SUJETADORES de los agujeros. Tire de los bordes delantero y posterior, lentamente moviendo los SUJETADORES fuera de los agujeros.

Empuje el PARAL IZQUIERDO (F2) sobre los SUJETADORES TWIST-LOCK® (7F) del PANEL SUPERIOR IZQUIERDO (H2) y del DORSO IZQUIERDO (O). Apriete cuatro SUJETADORES TWIST-LOCK®.

PASO 28

Fije el FONDO IZQUIERDO (J2) al EXTREMO IZQUIERDO INTERIOR (D3). Apriete dos SUJETADORES TWIST-LOCK®.

Fije el FONDO IZQUIERDO (J2) al PARAL IZQUIERDO (F2). Utilice dos TORNILLOS NEGROS DE CABEZA PERDIDA de 49 mm (113S).

Fije la PLACA DE CONEXIÓN (14G) al PANEL SUPERIOR IZQUIERDO (H2). Utilice cuatro TORNILLOS NEGROS DE CABEZA GRANDE de 14 mm (1S).

Introduzca girando dos GRAPAS DE CABLE (9D) dentro los agujeros en el PANEL SUPERIOR IZQUIERDO (H2).

NOTA: Las GRAPAS DE CABLE se utilizan para dirigir sus cables.

PASO 29

Fije la PATA DERECHA (R) a la PATA IZQUIERDA (T). Apriete tres SUJETADORES TWIST-LOCK®.

Fije las PATAS (R y T) al PANEL SUPERIOR IZQUIERDO (H2). Apriete dos SUJETADORES TWIST-LOCK®.

Fije la PATA IZQUIERDA (T) al VELO DE FONDO IZQUIERDO (L2). Utilice dos TORNILLOS NEGROS DE CABEZA REDONDA de 28 mm (9S).

PASO 30

Fije las MÉNSULAS DE ESQUINA (31G) a los FALDONES LATERALES (RR y SS). Utilice ocho TORNILLOS NEGROS DE CABEZA GRANDE de 14 mm (1S).

Fije un SOPORTE ANGULAR (5G) al FALDÓN LATERAL IZQUIERDO (SS). Utilice un TORNILLO NEGRO DE CABEZA GRANDE de 14 mm (1S).

NOTA: Asegúrese que el borde de SOPORTE ANGULAR esté nivelado con el borde del FALDÓN LATERAL IZQUIERDO.

Fije el FALDÓN LATERAL IZQUIERDO (SS) al FONDO IZQUIERDO (J2). Utilice cinco TORNILLOS NEGROS DE CABEZA GRANDE de 14 mm (1S) a través de los agujeros de los SOPORTES y en los agujeros del FONDO IZQUIERDO.

PASO 31

Fije ocho SOPORTES ANGULARES (5G) a los FALDONES POSTERIORES (TT y UU). Utilice ocho TORNILLOS NEGROS DE CABEZA GRANDE de 14 mm (1S).

NOTA: Asegúrese que los SOPORTES ANGULARES estén nivelados con los bordes de los FALDONES POSTERIORES.

Fije los FALDONES POSTERIORES IZQUIERDOS (UU) al EXTREMO IZQUIERDO INTERIOR (D3), al FONDO IZQUIERDO (J2) y al FALDÓN LATERAL IZQUIERDO (SS). Utilice ocho TORNILLOS NEGROS DE CABEZA GRANDE de 14 mm (1S).

PASO 32

Fije los RIELES DE EXTENSIÓN ESTRECHOS (40NA) a la otra superficie del PARAL DERECHO (E2) y del PARAL DE ESTANTE DE TECLADO (VV). Utilice cuatro TORNILLOS DORADOS DE CABEZA PERDIDA de 8 mm (3S) a través de los agujeros No. 1 y No. 3.

NOTA: Para cada RIEL DE EXTENSIÓN, atornille un TORNILLO dentro del agujero indicado en el diagrama ampliado. A continuación, deslice el cartucho interno del RIEL DE EXTENSIÓN hacia el interior para encontrar el otro agujero que se alinea con los agujeros de los PARALES. Atornille un TORNILLO dentro de este agujero.

PASO 33

Fije el PANEL DELANTERO (QQ) a la MOLDURA DELANTERA SUPERIOR IZQUIERDO (CCC) sujeta al PANEL SUPERIOR IZQUIERDO (H2). Apriete dos EXCÉNTRICOS ESCONDIDOS.

Fije el PARAL DE ESTANTE DE TECLADO (VV) al PANEL SUPERIOR IZQUIERDO (H2). Apriete dos SUJETADORES TWIST-LOCK®.

Precaución

Riesgo de daños o heridas. Los EXCÉNTRICOS ESCONDIDOS deben apretarse completamente. Los EXCÉNTRICOS ESCONDIDOS que no se aprieten completamente se aflojarán y las partes pueden separarse.

PASO 34

Inserte el extremo con cabilla de cuatro SUJETADORES TWIST-LOCK® (7F) en los agujeros grandes del PANEL SUPERIOR DERECHO (G2) y del DORSO DERECHO (N).

NOTA: Si ya ha empujado los SUJETADORES TWIST-LOCK® dentro de los agujeros grandes del PARAL DERECHO (E2), retire los SUJETADORES de los agujeros. Tire de los bordes delantero y posterior, lentamente moviendo los SUJETADORES fuera de los agujeros.

Empuje el PARAL DERECHO (E2) sobre los SUJETADORES TWIST-LOCK® (7F) del PANEL SUPERIOR DERECHO (G2) y del DORSO DERECHO (N). Apriete cuatro SUJETADORES TWIST-LOCK®.

PASO 35

Fije el VELO DE FONDO DERECHO (K2) al PANEL SUPERIOR DERECHO (G2). Apriete dos SUJETADORES TWIST-LOCK®.

Fije el VELO DE FONDO DERECHO (K2) al PARAL DERECHO (E2). Utilice dos TORNILLOS NEGROS DE CABEZA PERDIDA de 49 mm (113S).

Inserte una GRAPA DEL CABLE (9P) dentro del agujero en el PANEL SUPERIOR DERECHO (G2).

NOTA: La GRAPA DEL CABLE se utiliza para dirigir sus cables.

PASO 36

Fije el FONDO DERECHO (I2) al EXTREMO DERECHO INTERIOR (B3). Apriete dos SUJETADORES TWIST-LOCK®.

Fije el FONDO DERECHO (I2) al PARAL DERECHO (E2). Utilice dos TORNILLOS NEGROS DE CABEZA PERDIDA de 49 mm (113S).

Fije el FALDÓN LATERAL DERECHO (RR) al FONDO DERECHO (I2). Utilice cuatro TORNILLOS NEGROS DE CABEZA GRANDE de 14 mm (1S) a través de los agujeros de los SOPORTES y en los agujeros del FONDO DERECHO.

PASO 37

Fije los FALDONES POSTERIORES DERECHOS (TT) al EXTREMO DERECHO INTERIOR (B3), al FONDO DERECHO (I2) y al FALDÓN LATERAL DERECHO (RR). Utilice ocho TORNILLOS NEGROS DE CABEZA GRANDE de 14 mm (1S).

Inserte un OJAL (10P) y la CUBIERTA DE OJAL (1P) en el agujero grande del PARAL DERECHO (E2).

PASO 38

Usted puede necesitar la ayuda de alguien para este paso.

Cuidadosamente ponga la unidad en posición vertical.

Fije la PLACA DE CONEXIÓN sujeta al PANEL SUPERIOR IZQUIERDO (H2) al PANEL SUPERIOR DERECHO (G2). Utilice cuatro TORNILLOS NEGROS DE CABEZA GRANDE de 14 mm (1S).

Fije la PATA DERECHA (R) al VELO DE FONDO DERECHO (K2). Utilice dos TORNILLOS NEGROS DE CABEZA REDONDA de 28 mm (9S).

PASO 39

Antes de ajustar la PUERTA a su unidad, asegúrese de que el tornillo de montaje se encuentre contra los topes como se muestra en el diagrama derecho. Si no lo está, afloje el tornillo de montaje para que se deslice contra los topes. Luego, apriete el tornillo de montaje.

Fije la PUERTA (P) al EXTREMO DERECHO INTERIOR (B3). Utilice los tornillos provistos de las BISAGRAS. Consulte el próximo paso para ajustar las puertas.

Separe un TOPE DE FIELTRO de la TARJETA CON TOPES DE FIELTRO (1M) y aplique este tope sobre la PUERTA por donde hace contacto con el PARAL DERECHO (E2).

Fije un POMO (42K) a la PUERTA (P). Utilice un TORNILLO DORADO PARA METAL de 25 mm (50S).

PASO 40

Consulte el diagrama ampliado para identificar las piezas de las BISAGRAS.

La PUERTA puede requerir ajustes. Siga el texto abajo para hacer los ajustes necesarios.

AJUSTE DE LA PUERTA:

Para ajustar la PUERTA de un lado al otro (horizontalmente), y gire el tornillo de ajuste hacia el interior o hacia el exterior.

Para ajustar la PUERTA hacia arriba o hacia abajo (vertical), afloje los dos tornillos de ajuste. Mueva la PUERTA hacia arriba o hacia abajo a la ubicación deseada. Apriete los tornillos después de hacer los ajustes.

Para ajustar la PUERTA hacia atrás o hacia adelante (profundidad), afloje el tornillo de montaje una vuelta y mueva la PUERTA hacia el interior o hacia el exterior según sea necesario. Apriete el tornillo de montaje después de hacer los ajustes.

PASO 41

Fije la CERRADURA (1J) al PARAL IZQUIERDO (F2). Utilice dos TORNILLOS PLATEADOS DE CABEZA REDONDA de 19 mm (52S).

Empuje la CUBIERTA DE CERRADURA (10J) sobre la CERRADURA (1J).

PASO 42

No se muestra la PUERTA en este paso.

Empuje los MANGUITOS DE GOMA (2R) sobre las ESPIGAS DE METAL (1R). Inserte las ESPIGAS DE METAL dentro de los agujeros al nivel preferido dentro del EXTREMO DERECHO INTERIOR (B3) y del PARAL DERECHO (E2). Coloque el ESTANTE AJUSTABLE (Q) sobre las ESPIGAS DE METAL.

NOTA: Antes de insertar los cajones, asegúrese que el CARTUCHO INTERNO de los RIELES DE EXTENSIÓN en su unidad está hacia adelante. El CARTUCHO INTERNO debe hacer clic en su lugar contra la LENGÜETA NEGRA.

Para insertar los cajones dentro de la unidad, alinee las CORREDERAS DE EXTENSIÓN sujetadas al cajón con los RIELES DE EXTENSIÓN sujetos a la unidad y empuje el cajón dentro de la unidad hasta que el cajón esté completamente insertado. Los cajones mueven con dificultad hasta que se inserten completamente dentro de la unidad, después deslizarán fácilmente hacia adentro y hacia afuera. Repita este paso para el ESTANTE DE TECLADO.

Inserte los OJALES (10P) y las CUBIERTAS DE OJAL (1P) dentro de los agujeros grandes de los PANELES SUPERIORES (G2 y H2).

NOTA: Por favor, lea las páginas de atrás del folleto de instrucciones en cuanto a importante información de seguridad.

Esto completa el ensamblaje para el TECLADO al derecho. Limpie con su pulimento para muebles preferido o un paño húmedo. Seque con un paño.

PASO 43

Fije los RIELES DE EXTENSIÓN ESTRECHOS (40NA) a la otra superficie del PARAL IZQUIERDO (F2) y del PARAL DE ESTANTE DE TECLADO (VV). Utilice cuatro TORNILLOS DORADOS DE CABEZA PERDIDA de 8 mm (3S) a través de los agujeros No. 1 y No. 3.

NOTA: Para cada RIEL DE EXTENSIÓN, atornille un TORNILLO dentro del agujero indicado en el diagrama ampliado. A continuación, deslice el cartucho interno del RIEL DE EXTENSIÓN hacia el interior para encontrar el otro agujero que se alinea con los agujeros de los PARALES. Atornille un TORNILLO dentro de este agujero.

PASO 44

Fije el VELO DE FONDO IZQUIERDO (L2) al PARAL IZQUIERDO (F2). Utilice dos TORNILLOS NEGROS DE CABEZA PERDIDA de 49 mm (113S).

Inserte el extremo con cabilla de cuatro SUJETADORES TWIST-LOCK® (7F) en los agujeros grandes del PANEL SUPERIOR IZQUIERDO (H2) y del DORSO IZQUIERDO (O).

NOTA: Si ya ha empujado los SUJETADORES TWIST-LOCK® dentro de los agujeros grandes del PARAL IZQUIERDO (F2), retire los SUJETADORES de los agujeros. Tire de los bordes delantero y posterior, lentamente moviendo los SUJETADORES fuera de los agujeros.

Empuje el PARAL IZQUIERDO (F2) sobre los SUJETADORES TWIST-LOCK® (7F) del PANEL SUPERIOR IZQUIERDO (H2) y del DORSO IZQUIERDO (O). Apriete cuatro SUJETADORES TWIST-LOCK®.

PASO 45

Fije el FONDO IZQUIERDO (J2) al EXTREMO IZQUIERDO INTERIOR (D3). Apriete dos SUJETADORES TWIST-LOCK®.

Fije el FONDO IZQUIERDO (J2) al PARAL IZQUIERDO (F2). Utilice dos TORNILLOS NEGROS DE CABEZA PERDIDA de 49 mm (113S).

Fije la PLACA DE CONEXIÓN (14G) al PANEL SUPERIOR IZQUIERDO (H2). Utilice cuatro TORNILLOS NEGROS DE CABEZA GRANDE de 14 mm (1S).

Introduzca girando dos GRAPAS DE CABLE (9D) dentro los agujeros en el PANEL SUPERIOR IZQUIERDO (H2).

NOTA: Las GRAPAS DE CABLE se utilizan para dirigir sus cables.

PASO 46

Fije la PATA DERECHA (R) a la PATA IZQUIERDA (T). Apriete tres SUJETADORES TWIST-LOCK®.

Fije las PATAS (R y T) al PANEL SUPERIOR IZQUIERDO (H2). Apriete dos SUJETADORES TWIST-LOCK®.

Fije la PATA IZQUIERDA (T) al VELO DE FONDO IZQUIERDO (L2). Utilice dos TORNILLOS NEGROS DE CABEZA REDONDA de 28 mm (9S).

PASO 47

Fije las MÉNSULAS DE ESQUINA (31G) a los FALDONES LATERALES (RR y SS). Utilice ocho TORNILLOS NEGROS DE CABEZA GRANDE de 14 mm (1S).

Fije un SOPORTE ANGULAR (5G) al FALDÓN LATERAL IZQUIERDO (SS). Utilice un TORNILLO NEGRO DE CABEZA GRANDE de 14 mm (1S).

NOTA: Asegúrese que el borde de SOPORTE ANGULAR esté nivelado con el borde del FALDÓN LATERAL IZQUIERDO.

Fije el FALDÓN LATERAL IZQUIERDO (SS) al FONDO IZQUIERDO (J2). Utilice cinco TORNILLOS NEGROS DE CABEZA GRANDE de 14 mm (1S) a través de los agujeros de los SOPORTES y en los agujeros del FONDO IZQUIERDO.

PASO 48

Fije ocho SOPORTES ANGULARES (5G) a los FALDONES POSTERIORES (TT y UU). Utilice ocho TORNILLOS NEGROS DE CABEZA GRANDE de 14 mm (1S).

NOTA: Asegúrese que los SOPORTES ANGULARES estén nivelados con los bordes de los FALDONES POSTERIORES.

Fije los FALDONES POSTERIORES IZQUIERDOS (UU) al EXTREMO IZQUIERDO INTERIOR (D3), al FONDO IZQUIERDO (J2) y al FALDÓN LATERAL IZQUIERDO (SS). Utilice ocho TORNILLOS NEGROS DE CABEZA GRANDE de 14 mm (1S).

PASO 49

Inserte el extremo con cabilla de cuatro SUJETADORES TWIST-LOCK® (7F) en los agujeros grandes del PANEL SUPERIOR DERECHO (G2) y del DORSO DERECHO (N).

NOTA: Si ya ha empujado los SUJETADORES TWIST-LOCK® dentro de los agujeros grandes del PARAL DERECHO (E2), retire los SUJETADORES de los agujeros. Tire de los bordes delantero y posterior, lentamente moviendo los SUJETADORES fuera de los agujeros.

Empuje el PARAL DERECHO (E2) sobre los SUJETADORES TWIST-LOCK® (7F) del PANEL SUPERIOR DERECHO (G2) y del DORSO DERECHO (N). Apriete cuatro SUJETADORES TWIST-LOCK®.

PASO 50

Fije el VELO DE FONDO DERECHO (K2) al PANEL SUPERIOR DERECHO (G2). Apriete dos SUJETADORES TWIST-LOCK®.

Fije el VELO DE FONDO DERECHO (K2) al PARAL DERECHO (E2). Utilice dos TORNILLOS NEGROS DE CABEZA PERDIDA de 49 mm (113S).

Inserte una GRAPA DEL CABLE (9P) dentro del agujero en el PANEL SUPERIOR DERECHO (G2).

NOTA: La GRAPA DEL CABLE se utiliza para dirigir sus cables.

PASO 51

Fije el FONDO DERECHO (I2) al EXTREMO DERECHO INTERIOR (B3). Apriete dos SUJETADORES TWIST-LOCK®.

Fije el FONDO DERECHO (I2) al PARAL DERECHO (E2). Utilice dos TORNILLOS NEGROS DE CABEZA PERDIDA de 49 mm (113S).

Fije el FALDÓN LATERAL DERECHO (RR) al FONDO DERECHO (I2). Utilice cuatro TORNILLOS NEGROS DE CABEZA GRANDE de 14 mm (1S) a través de los agujeros de los SOPORTES y en los agujeros del FONDO DERECHO.

PASO 52

Fije los FALDONES POSTERIORES DERECHOS (TT) al EXTREMO DERECHO INTERIOR (B3), al FONDO DERECHO (I2) y al FALDÓN LATERAL DERECHO (RR). Utilice ocho TORNILLOS NEGROS DE CABEZA GRANDE de 14 mm (1S).

Inserte un OJAL (10P) y la CUBIERTA DE OJAL (1P) en el agujero grande del PARAL DERECHO (E2).

PASO 53

Fije el PANEL DELANTERO (QQ) a la MOLDURA DELANTERA SUPERIOR DERECHO (BBB) sujeta al PANEL SUPERIOR DERECHO (G2). Apriete dos EXCÉNTRICOS ESCONDIDOS.

Fije el PARAL DE ESTANTE DE TECLADO (VV) al PANEL SUPERIOR IZQUIERDO (H2). Apriete dos SUJETADORES TWIST-LOCK®.

Precaución

Riesgo de daños o heridas. Los EXCÉNTRICOS ESCONDIDOS deben apretarse completamente. Los EXCÉNTRICOS ESCONDIDOS que no se aprieten completamente se aflojarán y las partes pueden separarse.

PASO 54

Usted puede necesitar la ayuda de alguien para este paso.

Cuidadosamente ponga la unidad en posición vertical.

Fije la PLACA DE CONEXIÓN sujeta al PANEL SUPERIOR IZQUIERDO (H2) al PANEL SUPERIOR DERECHO (G2). Utilice cuatro TORNILLOS NEGROS DE CABEZA GRANDE de 14 mm (1S).

Fije la PATA DERECHA (R) al VELO DE FONDO DERECHO (K2). Utilice dos TORNILLOS NEGROS DE CABEZA REDONDA de 28 mm (9S).

PASO 55

Antes de ajustar la PUERTA a su unidad, asegúrese de que el tornillo de montaje se encuentre contra los topes como se muestra en el diagrama derecho. Si no lo está, afloje el tornillo de montaje para que se deslice contra los topes. Luego, apriete el tornillo de montaje.

Fije la PUERTA (P) al EXTREMO DERECHO INTERIOR (B3). Utilice los tornillos provistos de las BISAGRAS. Consulte el próximo paso para ajustar las puertas.

Separe un TOPE DE FIELTRO de la TARJETA CON TOPES DE FIELTRO (1M) y aplique este tope sobre la PUERTA por donde hace contacto con el PARAL DERECHO (E2).

Fije un POMO (42K) a la PUERTA (P). Utilice un TORNILLO DORADO PARA METAL de 25 mm (50S).

PASO 56

Consulte el diagrama ampliado para identificar las piezas de las BISAGRAS.

La PUERTA puede requerir ajustes. Siga el texto abajo para hacer los ajustes necesarios.

AJUSTE DE LA PUERTA:

Para ajustar la PUERTA de un lado al otro (horizontalmente), y gire el tornillo de ajuste hacia el interior o hacia el exterior.

Para ajustar la PUERTA hacia arriba o hacia abajo (vertical), afloje los dos tornillos de ajuste. Mueva la PUERTA hacia arriba o hacia abajo a la ubicación deseada. Apriete los tornillos después de hacer los ajustes.

Para ajustar la PUERTA hacia atrás o hacia adelante (profundidad), afloje el tornillo de montaje una vuelta y mueva la PUERTA hacia el interior o hacia el exterior según sea necesario. Apriete el tornillo de montaje después de hacer los ajustes.

PASO 57

Fije la CERRADURA (1J) al PARAL IZQUIERDO (F2). Utilice dos TORNILLOS PLATEADOS DE CABEZA REDONDA de 19 mm (52S).

Empuje la CUBIERTA DE CERRADURA (10J) sobre la CERRADURA (1J).

PASO 58

No se muestra la PUERTA en este paso.

Empuje los MANGUITOS DE GOMA (2R) sobre las ESPIGAS DE METAL (1R). Inserte las ESPIGAS DE METAL dentro de los agujeros al nivel preferido dentro del EXTREMO DERECHO INTERIOR (B3) y del PARAL DERECHO (E2). Coloque el ESTANTE AJUSTABLE (Q) sobre las ESPIGAS DE METAL.

NOTA: Antes de insertar los cajones, asegúrese que el CARTUCHO INTERNO de los RIELES DE EXTENSIÓN en su unidad está hacia adelante. El CARTUCHO INTERNO debe hacer clic en su lugar contra la LENGÜETA NEGRA.

Para insertar los cajones dentro de la unidad, alinee las CORREDERAS DE EXTENSIÓN sujetadas al cajón con los RIELES DE EXTENSIÓN sujetos a la unidad y empuje el cajón dentro de la unidad hasta que el cajón esté completamente insertado. Los cajones mueven con dificultad hasta que se inserten completamente dentro de la unidad, después deslizarán fácilmente hacia adentro y hacia afuera. Repita este paso para el ESTANTE DE TECLADO.

Inserte los OJALES (10P) y las CUBIERTAS DE OJAL (1P) dentro de los agujeros grandes de los PANELES SUPERIORES (G2 y H2).

NOTA: Por favor, lea las páginas de atrás del folleto de instrucciones en cuanto a importante información de seguridad.

Esto completa el ensamblaje. Limpie con su pulimento para muebles preferido o un paño húmedo. Seque con un paño.

⚠ WARNING

Please use your furniture correctly and safely. Improper use can cause safety hazards, or damage to your furniture or household items. **Carefully read the following chart.**

| Look out for: | What can happen: | How to avoid the problem: |
|--|---|---|
| <ul style="list-style-type: none"> Overloaded shelves and drawers. Improper loading can cause the product to be top-heavy. | <ul style="list-style-type: none"> Risk of injury. Top-heavy furniture can tip over. Overloaded shelves and drawers can break. | <ul style="list-style-type: none"> Never exceed the weight limits shown in the instructions. Work from bottom to top when loading shelves and drawers. Place the heavier items on the lower shelves or in lower drawers. |
| <ul style="list-style-type: none"> Improperly moving furniture that is not designed and equipped with casters. | <ul style="list-style-type: none"> Furniture can tip over or break if improperly moved. Physical injury. Furniture can be very heavy. Breakage of tops - particularly with double pedestal furniture (drawers at both ends). | <ul style="list-style-type: none"> Unload shelves and drawers from top to bottom before moving the unit. Do not push furniture, especially on a carpeted floor. Have a friend help you lift the item and set it in place. Provide support to the center section of the top when lifting the furniture. |
| <ul style="list-style-type: none"> Placing TVs on furniture items that are not designed to support a television is hazardous. | <ul style="list-style-type: none"> Risk of injury or death. TVs can be very heavy. Plus the weight and location of the picture tube tends to make TVs unbalanced and prone to tipping forward. | <ul style="list-style-type: none"> This product is not designed to support a television. |

⚠ AVERTISSEMENT

Prière d'utiliser le mobilier à bon escient et avec prudence. Une mauvaise utilisation peut être à l'origine de risques d'accident ou peut endommager le mobilier et les articles ménagers. **Lire attentivement le tableau suivant.**

| À surveiller : | Danger éventuel : | Solution : |
|---|--|---|
| <ul style="list-style-type: none"> Tablettes et tiroirs surchargés. En cas de chargement inadéquat l'élément peut être lourd du haut. | <ul style="list-style-type: none"> Risque de blessure. Du mobilier mal équilibré risque de se renverser. Tablettes et tiroirs surchargés risquent de casser. | <ul style="list-style-type: none"> Ne jamais excéder les limites de poids indiquées dans les instructions. Pour charger les tablettes et tiroirs, commencer par remplir celui du bas pour finir par celui du haut. Placer les articles plus lourds sur les tablettes inférieures ou dans les tiroirs inférieurs. |
| <ul style="list-style-type: none"> Déplacement inadéquat d'un mobilier qui n'est pas conçu pour avoir des roulettes et n'en est pas équipé. | <ul style="list-style-type: none"> Le mobilier risque de se renverser ou de casser en cas de déplacement inadéquat. Blessure physique. Le mobilier peut être très lourd. Défaillance des dessus surtout avec les éléments de double piédestaux (tiroirs en chaque extrémité). | <ul style="list-style-type: none"> Décharger les tablettes et tiroirs en commençant par celui du haut avant de déplacer l'élément. Ne pas pousser le meuble, surtout sur la moquette. Se faire aider par une autre personne pour soulever l'élément et le mettre en place. Supporter la section centrale du dessus lorsque l'on soulève le meuble. |
| <ul style="list-style-type: none"> Il est dangereux de placer des téléviseurs sur des meubles que ne sont pas prévus à cet effet. | <ul style="list-style-type: none"> Risque de blessures graves, voire mortelles. Les téléviseurs peuvent être particulièrement lourds. De plus, le poids et l'emplacement du tube image ont tendance à rendre les téléviseurs instables et enclins à tomber vers l'avant. | <ul style="list-style-type: none"> Ce produit n'est pas destiné à supporter un téléviseur. |

⚠️ ADVERTENCIA

Por favor use el mobiliario correcta y seguramente. El mal uso puede causar riesgos de seguridad o daño a las unidades o artículos domésticos. **Cuidadosamente lea la tabla a continuación.**

| Esté alerta de: | Puede ocurrir: | Evitar el problema: |
|--|---|---|
| <ul style="list-style-type: none">• Estantes y cajones sobrecargados• Cargar el producto de manera inadecuada puede causar la inestabilidad. | <ul style="list-style-type: none">• Riesgo de lesiones.• El mobiliario inestable puede volcarse.• Estantes y cajones sobrecargados pueden romperse. | <ul style="list-style-type: none">• Nunca exceder los límites de peso indicados en las instrucciones.• Cargue los estantes y cajones a partir de la base y trabaje hacia arriba. Coloque los artículos más pesados sobre los estantes inferiores o en los cajones inferiores. |
| <ul style="list-style-type: none">• Mover incorrectamente el mobiliario que no está diseñado y provisto con ruedecitas. | <ul style="list-style-type: none">• La inclinación o rotura del mobiliario es posible si se mueve de manera inadecuada.• Lesión física. El mobiliario puede ser muy pesado.• Rotura de las superficies especialmente las unidades con dos pedestales (con cajones en cada extremo). | <ul style="list-style-type: none">• Descargue los estantes y cajones desde arriba hacia abajo antes de mover la unidad.• No empuje la unidad, especialmente sobre un piso alfombrado. Pide la ayuda de otra persona para levantar la unidad y colocarla en lugar• Soporte la sección central del panel superior cuando levanta el mueble. |
| <ul style="list-style-type: none">• Es peligroso colocar los televisores sobre unidades de mobiliario que no están diseñadas para soportar un televisor. | <ul style="list-style-type: none">• Riesgo de lesiones o muerte. Los televisores pueden ser muy pesados. Además, el peso y la ubicación del tubo de imagen tienden a causar la inestabilidad de televisores y propensa a volcarse hacia adelante. | <ul style="list-style-type: none">• Este producto no está diseñado para soportar un televisor. |

5-YEAR LIMITED WARRANTY

1. Sauder Woodworking Co. (Sauder®) provides limited warranty coverage to the original purchaser of this product for a period of five years from the date of purchase against defects in materials or workmanship of Sauder furniture components. As used in this Warranty, "defect" means imperfections in components which substantially impair the utility of the product. This Warranty gives you specific legal rights, and you may also have other rights which vary from state to state.

2. There is no warranty coverage for defects or conditions that result from the failure to follow product assembly instructions, information or warnings, misuse or abuse, intentional damage, fire, flood, alteration or modification of the product, or use of the product in a manner inconsistent with its intended use, nor any condition resulting from incorrect or inadequate maintenance, cleaning, or care. There is also no warranty coverage for rented products or any products purchased "used" or "as is", at a distress or going-out-of business sale, or from a liquidator.

3. As the exclusive remedy under this Warranty, Sauder will (at its sole option) repair, replace or refund the value of any defective furniture component. Sauder may require independent confirmation of the claimed defect and proof of purchase. Replacement parts will be warranted for only the remaining period of the original Warranty. SAUDER SHALL HAVE NO LIABILITY FOR ANY INCIDENTAL OR CONSEQUENTIAL DAMAGES OF ANY KIND and all such damages are EXCLUDED FROM THIS WARRANTY, such as loss of use, disassembly, transportation, labor or damage to property on or near the product. Some states do not allow the exclusion or limitation of incidental or consequential damages, so the above limitation or exclusion may not apply to you.

GARANTIE LIMITÉE DE 5 ANS

1. Sauder Woodworking Co. (Sauder®) offre une couverture de garantie limitée à l'acheteur initial du présent produit pendant une période de cinq ans à compter de la date d'achat contre tout défaut de matériaux ou de fabrication des composantes de mobilier Sauder. Le mot « défaut », tel qu'il est utilisé sous les termes de la présente garantie, comprend les imperfections des pièces qui empêchent substantiellement l'utilisation du produit. La présente garantie vous donne des droits légaux spécifiques et il est possible que vous ayez des droits supplémentaires variant d'État en État ou de province en province.

2. La présente garantie ne saurait couvrir les défauts ou conditions qui surviendraient à la suite du non respect des instructions, informations ou mises en garde de montage, d'une mauvaise utilisation ou d'un abus, d'un dommage intentionnel, d'un incendie, d'une inondation, d'une altération ou modification du produit, d'une utilisation du produit allant à l'encontre de son usage prévu, ni aucune condition résultant d'une maintenance, d'un nettoyage ou d'un entretien inappropriés ou inadéquats. De plus, il n'existe aucune garantie pour les produits loués ou tous les produits achetés « d'occasion » ou « en l'état », dans le cadre d'une vente aux enchères ou de solde pour cessation de commerce, ou auprès d'un liquidateur.

3. En tant que recours exclusif en vertu de la présente garantie, Sauder réparera, remplacera ou remboursera (sur sa seule décision) la valeur de toute composante de mobilier défectueuse. Sauder peut exiger une confirmation indépendante du défaut revendiqué ainsi qu'une preuve d'achat. Les pièces de rechange seront garanties uniquement pendant la période restante de la garantie originale. SAUDER NE SERA EN AUCUN CAS RESPONSABLE DE TOUT DOMMAGE ACCESSOIRE OU CONSÉCUTIF DE TOUTE SORTE et lesdits dommages sont EXCLUS DE LA PRÉSENTE GARANTIE, à savoir perte d'utilisation, démontage, transport, main d'œuvre ou dommages matériels sur ou à proximité du produit. Certains États ou provinces ne permettant pas l'exclusion ou la limite aux responsabilités pour dommages accidentels ou consécutifs, la limite ou l'exclusion ci-dessus peut ne pas être applicable.

GARANTÍA LIMITADA DE 5 AÑOS

1. Sauder Woodworking Co. (Sauder®) provee cobertura de garantía limitada al comprador original de este producto por un período de cinco años, a partir de la fecha de compra, contra defectos en los materiales o de mano de obra en los componentes de muebles Sauder. Como es utilizado en esta Garantía, "defecto" significa imperfecciones en los componentes que de manera fundamental afecta la utilidad del producto. Esta Garantía le permite a usted ciertos derechos legales, y usted también podría poseer otros derechos adicionales, los cuales varían de estado a estado.

2. No hay cobertura de garantía para defectos o estados que resulten del incumplimiento en seguir las instrucciones, la información o las advertencias sobre el ensamblaje del producto; del uso incorrecto o maltrato, del daño intencional, incendio, inundación, cambio o modificación del producto; o de la utilización del producto de manera contradictoria con el uso para el cual fue fabricado, ni por ningún estado que resulte del mantenimiento, limpieza o cuidado incorrecto o inadecuado. Tampoco no hay cobertura de garantía para los productos rentados o para cualesquiera productos comprados "de uso" o "como está", en una venta de bienes embargados o en una venta por salirse del negocio, o comprados a un liquidador.

3. Como un recurso exclusivo bajo esta Garantía, Sauder (sólo a su opción) reparará, reemplazará o reembolsará el valor de cualquier componente defectuoso de mueble. Sauder puede requerir una confirmación independiente de un defecto reclamado y una prueba de compra. Las piezas de repuesto serán garantizadas solamente por el período de tiempo que queda de la Garantía original. SAUDER NO TENDRÁ RESPONSABILIDAD POR NINGÚN DAÑO INCIDENTAL O CONSUCUENTE DE NINGÚN TIPO y todos dichos daños SE EXCLUYEN DE ESTA GARANTÍA, tales como pérdida de uso, desensamblaje, transportación, trabajo o daño a la propiedad en o cerca del producto. Algunos estados no permiten la exclusión o limitación de daños incidentales o consecuentes, en tales instancias la limitación o exclusión antes mencionada podría no ser aplicable a usted.

4. This Warranty applies only to warranted defects that first arise and are reported to Sauder within the warranty coverage period. The Warranty cannot be transferred to subsequent owners or users of the product, and it shall be immediately void in the event the product is resold, transferred, leased or rented to any third party or person other than the original purchaser.

5. THERE ARE NO OTHER WARRANTIES APPLICABLE TO THIS PRODUCT. Under the laws of certain states, there may be no implied warranties from Sauder and all implied warranties, INCLUDING ANY IMPLIED WARRANTY OF MERCHANTABILITY OR FITNESS FOR A PARTICULAR PURPOSE are disclaimed where allowed by law. TO THE EXTENT ANY IMPLIED WARRANTIES ARE APPLICABLE, ANY IMPLIED WARRANTIES, INCLUDING ANY IMPLIED WARRANTY OF MERCHANTABILITY OR FITNESS FOR A PARTICULAR PURPOSE, ARE LIMITED IN DURATION TO THE DURATION OF THIS EXPRESS WARRANTY or the minimum period allowed by law, whichever is shorter. Some states do not allow limitations on how long an implied Warranty lasts, so the above limitation may not apply to you.

6. For Warranty inquiries or claims, please visit our website www.sauder.com. You can also contact Sauder at 1.800.523.3987. Sauder may require Warranty claims to be submitted in writing to: Sauder Woodworking Co., 502 Middle Street, Archbold, OH 43502 USA. Please include your sales receipt or other proof of purchase and a specific description of the product defect.

4. La présente garantie ne s'applique qu'aux défauts garantis qui se produisent pour la première fois et qui sont signalés à Sauder dans les limites de couverture de la garantie. La garantie ne peut pas être transférée à des propriétaires ou utilisateurs subséquents du produit, et sera immédiatement invalidée dans le cas où le produit est revendu, transféré, loué sous bail ou loué à une tierce partie ou personne autre que l'acheteur original.

5. IL N'EXISTE AUCUNE AUTRE GARANTIE EN VIGUEUR POUR LE PRÉSENT PRODUIT. En vertu des lois de certains États ou provinces, il ne peut y avoir de garanties implicites de la part de Sauder et toutes les garanties implicites, Y COMPRIS TOUTE GARANTIE IMPLICITE DE COMMERCIALITÉ OU D'ADAPTATION À UN USAGE PARTICULIER sont déclinées partout où la loi l'autorise. DANS LA MESURE OÙ TOUTE GARANTIE IMPLICITE EST APPLICABLE, TOUTE GARANTIE IMPLICITE, Y COMPRIS TOUTE GARANTIE DE COMMERCIALITÉ OU D'ADAPTATION À UN USAGE PARTICULIER, EST LIMITÉE À LA DURÉE DE LA PRÉSENTE GARANTIE EXPRESSE ou à la période minimum autorisée par la loi, la période la plus courte étant retenue. Certains États ne permettant pas que des limites soient imposées quant à la durée d'une garantie implicite, la limite ci-dessus peut donc ne pas être applicable.

6. Pour toute question concernant la garantie ou toute demande de réclamation, consulter le site Web www.sauder.com. Il est également possible de contacter Sauder en composant le 1.800.523.3987. Sauder peut exiger de soumettre les demandes de réclamation sous garantie par écrit à : Sauder Woodworking Co., 502 Middle Street, Archbold, OH 43502 USA. Veuillez joindre votre ticket de caisse ou toute autre preuve d'achat ainsi qu'une description spécifique du défaut de produit.

4. Esta Garantía sólo es aplicable a defectos garantizados que primeramente surjan y se informen a Sauder dentro del período de cobertura de garantía. La Garantía no puede ser transferida a propietarios o usuarios subsiguientes del producto, y ésta será inmediatamente invalidada en el caso que el producto sea revendido, transferido, arrendado o rentado a cualquier tercero u otra persona que no sea el comprador original.

5. NO HAY OTRA GARANTÍA APLICABLE A ESTE PRODUCTO. Bajo las leyes de ciertos estados, pueden no haber garantías implícitas de Sauder y se hace renuncia de responsabilidad de todas las garantías implícitas donde lo permita la ley, INCLUYENDO CUALQUIER GARANTÍA IMPLICITA DE MERCANTABILIDAD O DE APTITUD PARA UN PROPOSITO EN PARTICULAR. EN LA MEDIDA CUALQUIER GARANTÍA IMPLICITA ES APLICABLE, CUALESQUIERA GARANTÍAS IMPLICITAS, INCLUYENDO AQUELLA DE MERCANTABILIDAD O DE APTITUD PARA UN PROPOSITO EN PARTICULAR, SE LIMITAN EN DURACION HASTA LA DURACION DE ESTA GARANTÍA IMPLICITA o hasta el periodo mínimo permitido por la ley, la que sea más corta. Algunos estados no permiten limitaciones en cuanto a la duración de una garantía implícita, por eso la limitación arriba citada pueda no ser aplicable a usted.

6. Para solicitud de información o reclamación de Garantía, por favor, visite nuestro sitio Web www.sauder.com. Usted también puede contactar a Sauder llamando al 1.800.523.3987. Sauder puede solicitar que las reclamaciones sean presentadas por escrito a: Sauder Woodworking Co., 502 Middle Street, Archbold, OH 43502 USA. Por favor incluya su recibo de venta u otra prueba de compra y una descripción detallada del defecto del producto.

Dear Valued Customer:

Thanks so much for choosing Sauder® furniture. I hope the purchase and assembly process was a positive experience and you feel good about the furniture you just built. If you need assistance or want to learn more, please contact our award-winning, Ohio-based customer service team at 800-523-3987 or Sauder.com.

My grandfather, Erie Sauder, founded the company in 1934 and later invented and patented the first commercially successful ready-to-assemble tables. We strive to hold true to his core values of innovation, integrity, servanthood and stewardship.

Sauder products are made with environmentally responsible materials and world-class manufacturing processes. Our 2,000+ dedicated employees in Archbold, Ohio, along with our global manufacturing partners, are committed to providing you furniture with great value, style and quality.

From our family to you. Enjoy!



Kevin J. Sauder
President/CEO

So, how did it go?

Set a world record for speed?
Feeling good about yourself?
Nice. Get social with it on any
of these quality share sites.



And don't forget to rate and
review your piece at Sauder.com
in the product detail page.



Register your new product online

For immediate service, our website is available 24 hours per day, seven days per week, to order replacement parts, access assembly tips, register your product and view Sauder products. www.sauder.com

Customer Services in United States and Canada
Monday through Friday – 9 a.m. to 5:30 p.m. ET
(except holidays) 1-800-523-3987

General Conformity Certificate

1. This certificate applies to the Sauder Woodworking Product identified by this Instruction Book.
2. This certificate applies to compliance of this product with the CPSC Ban on Lead-Containing Paint (16 CFR 1303).
3. This product is manufactured by:
Sauder Woodworking Company
502 Middle St.
Archbold, OH 43502
419-446-2711
4. Date of Manufacture: _____

