

**Business or pleasure.**  
Works both ways.

# Executive Desk

Costa Collection | Model 419954

Need help? Visit [Sauder.com](http://Sauder.com) to view video assembly tips or chat with a live rep.  
Prefer the phone? Call 1-800-523-3987.

Share your journey!



**NOTE:** THIS INSTRUCTION BOOKLET CONTAINS **IMPORTANT** SAFETY INFORMATION.

PLEASE READ AND KEEP FOR FUTURE REFERENCE.

English pg 1-32  
Français pg 33-37  
Español pg 38-43

Lot # **392791** 08/25/16  
Purchased: \_\_\_\_\_

Be sure to give us a ring before making any returns. 1-800-523-3987

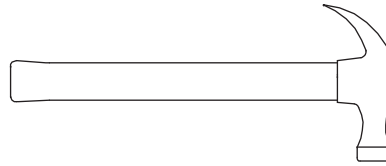
# Table of Contents

# Assembly Tools Required

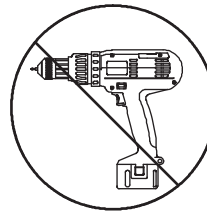
Part Identification	2-3
Hardware Identification	4
Assembly Steps	5-32
Français	33-37
Español	38-43
Safety	44-46
Warranty	47



No. 2 Phillips Screwdriver  
Tip Shown Actual Size



Hammer  
Not actual size 😊

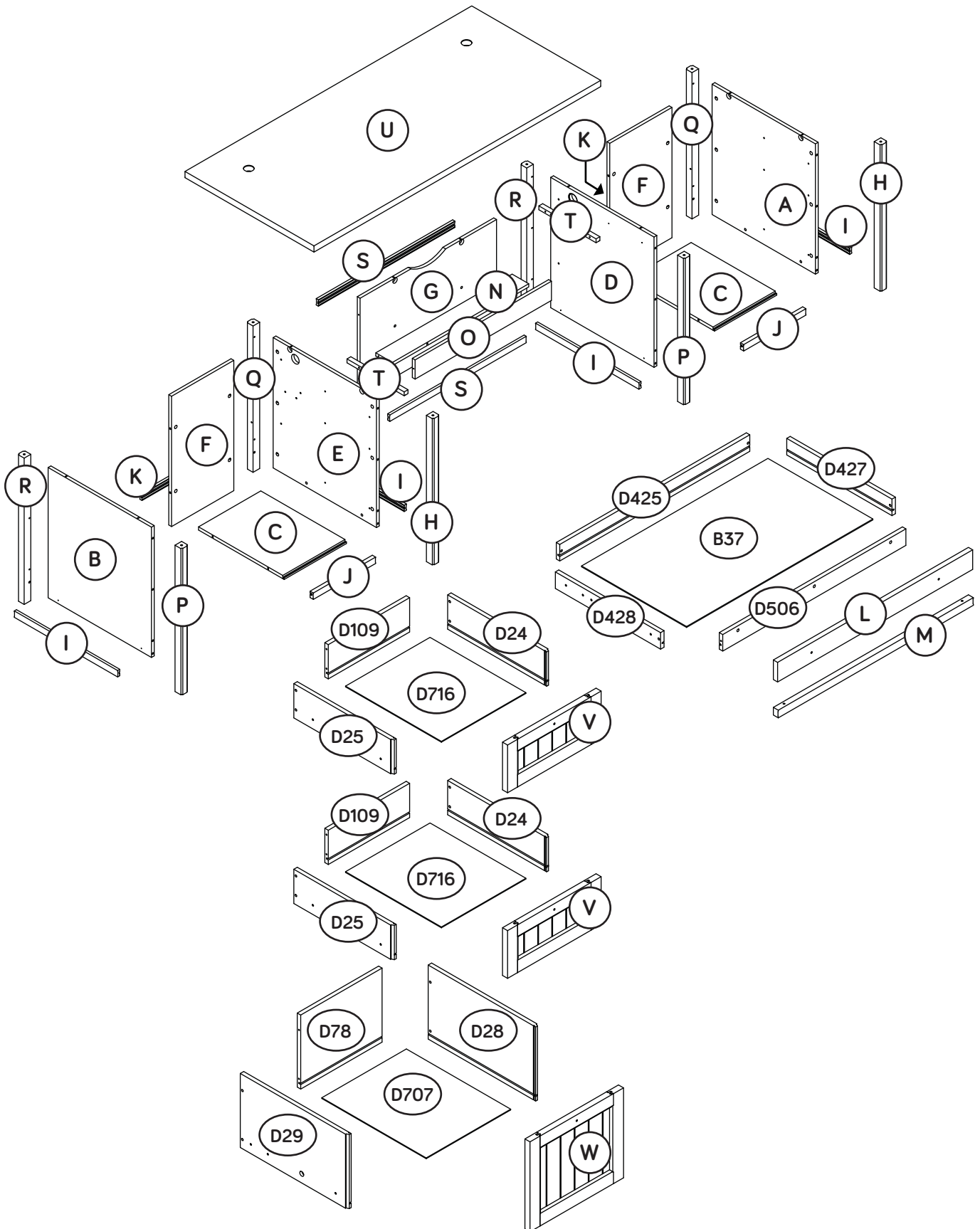


Skip the power trip.  
This time.

## Part Identification

⚠ While not all parts are labeled, some of the parts will have a label or an inked letter on the edge to help distinguish similar parts from each other. Use this part identification to help identify similar parts.

A	RIGHT END (1)	M	PENCIL DRAWER MOLDING (1)	D24	SMALL DRAWER RIGHT SIDE (4)
B	LEFT END (1)	N	SHELF (1)	D25	SMALL DRAWER LEFT SIDE (4)
C	BOTTOM (2)	O	SHELF FRONT (1)	D28	LARGE DRAWER RIGHT SIDE (2)
D	RIGHT UPRIGHT (1)	P	LEFT FRONT LEG (2)	D29	LARGE DRAWER LEFT SIDE (2)
E	LEFT UPRIGHT (1)	Q	RIGHT REAR LEG (2)	D78	LARGE DRAWER BACK (2)
F	BACK (2)	R	LEFT REAR LEG (2)	D109	SMALL DRAWER BACK (4)
G	MODESTY PANEL (1)	S	MODESTY PANEL MOLDING (2)	D425	PENCIL DRAWER BACK (1)
H	RIGHT FRONT LEG (2)	T	EXTENSION BLOCK (2)	D427	PENCIL DRAWER RIGHT SIDE (1)
I	END MOLDING (4)	U	TOP (1)	D428	PENCIL DRAWER LEFT SIDE (1)
J	BOTTOM MOLDING (2)	V	SMALL DRAWER FRONT (4)	D506	PENCIL DRAWER BOX FRONT (1)
K	BACK MOLDING (2)	W	LARGE DRAWER FRONT (2)	D707	LARGE DRAWER BOTTOM (2)
L	PENCIL DRAWER FRONT (1)	B37	PENCIL DRAWER BOTTOM (1)	D716	SMALL DRAWER BOTTOM (4)

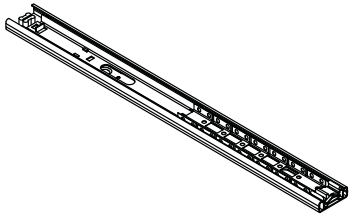


# Hardware Identification

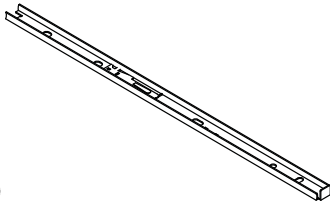
† Screws are shown actual size. You may receive extra hardware with your unit.

(EXTENSION SET SHOWN SEPARATED)

**Y** WIDE EXTENSION RAIL - 4

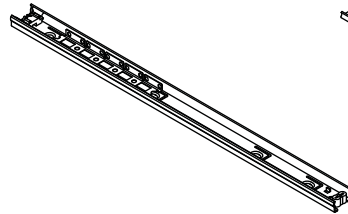


**Z** WIDE EXTENSION SLIDE - 4

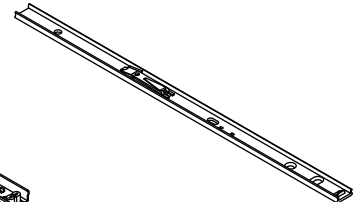


(EXTENSION SET SHOWN SEPARATED)

**AA** NARROW EXTENSION RAIL - 10



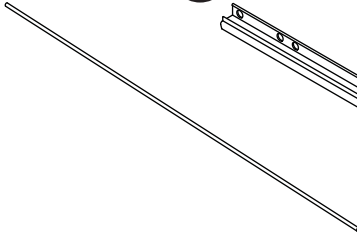
**BB** NARROW EXTENSION SLIDE - 10



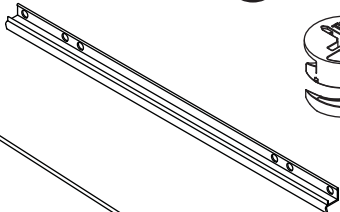
**10A** SLIDE CAM - 12



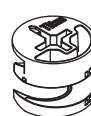
**8B** FILE ROD - 4



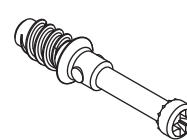
**15B** FILE GLIDE - 4



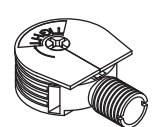
**1F** HIDDEN CAM - 34



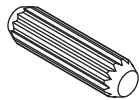
**8F** CAM SCREW - 34



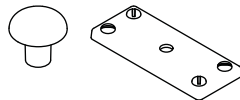
**12F** TWIST-LOCK® FASTENER - 22



**15F** WOOD DOWEL - 16



**136K** KNOB SET - 8



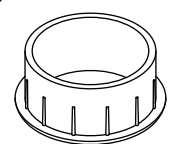
**54M** GLUE - 1



**1P** GROMMET CAP - 2



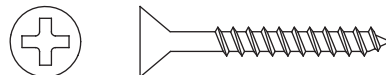
**10P** GROMMET - 2



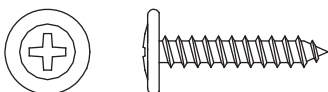
**3S** GOLD 5/16" FLAT HEAD SCREW - 48



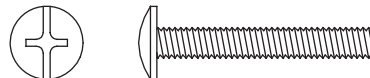
**7S** BLACK 1-1/4" FLAT HEAD SCREW - 4



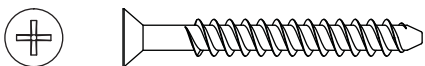
**17S** BLACK 7/8" LARGE HEAD SCREW - 3



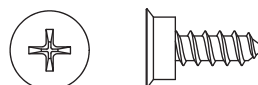
**21S** BLACK 1-1/8" MACHINE SCREW - 6



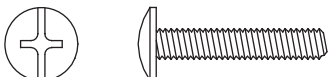
**30S** BLACK 1-9/16" FLAT HEAD SCREW - 28



**32S** BLACK 9/16" FLAT HEAD SCREW - 18



**37S** BLACK 7/8" MACHINE SCREW - 2



**113S** BLACK 1-15/16" FLAT HEAD SCREW - 10

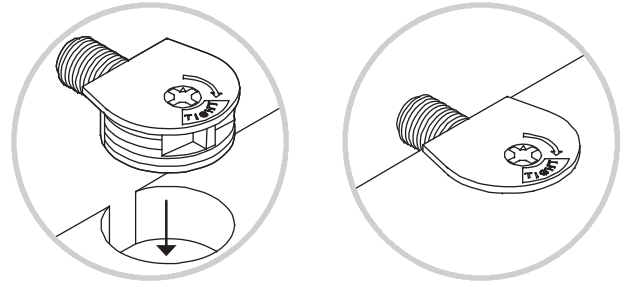


# Step 1

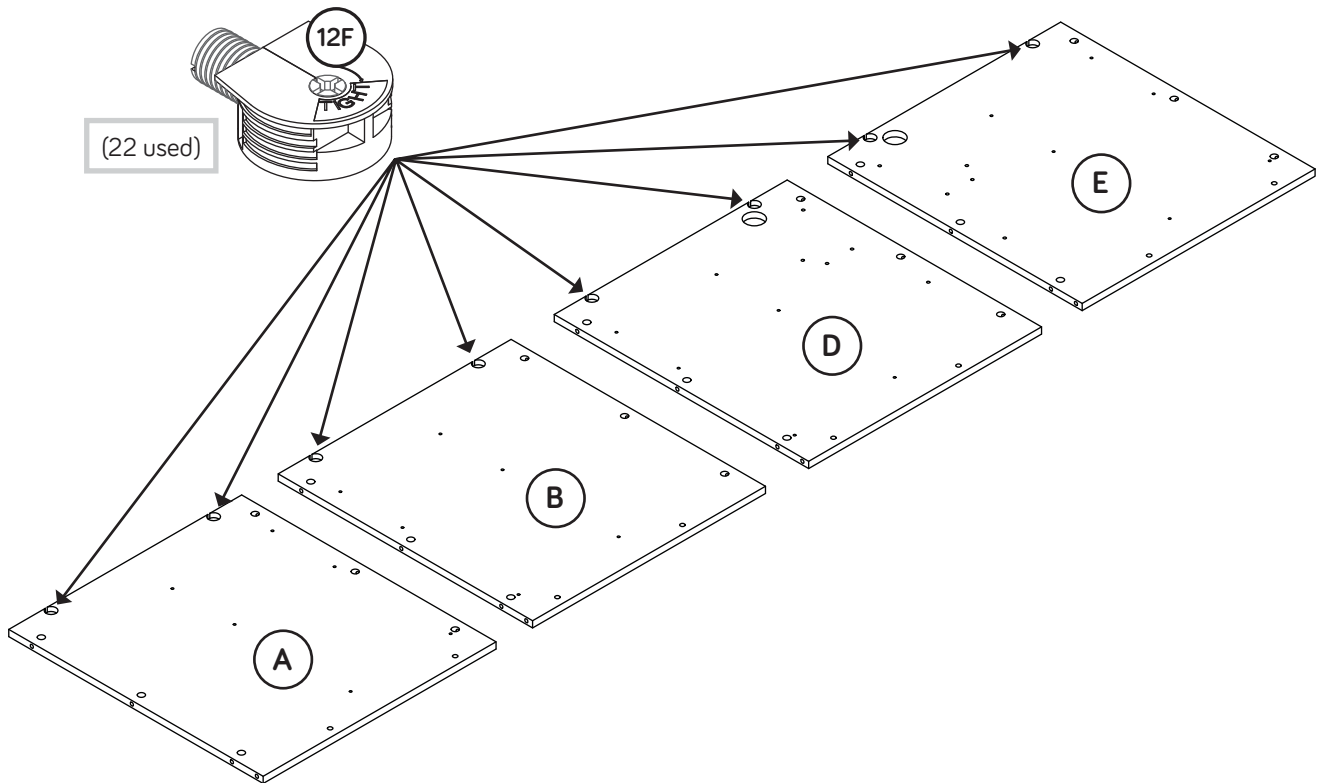
Look for this icon. It means a video assembly tip is available at [www.sauder.com/services/tips](http://www.sauder.com/services/tips)



- ✚ Assemble your unit on a carpeted floor or on the empty carton to avoid scratching your unit or the floor.
- ✚ To begin assembly, push a SAUDER TWIST-LOCK® FASTENER (12F) into the large holes in the ENDS (A and B) and UPRIGHTS (D and E).
- ✚ Repeat this step for the BOTTOMS (C), MODESTY PANEL (G), and SHELF (N).



Do not tighten the TWIST-LOCK® FASTENERS in this step.



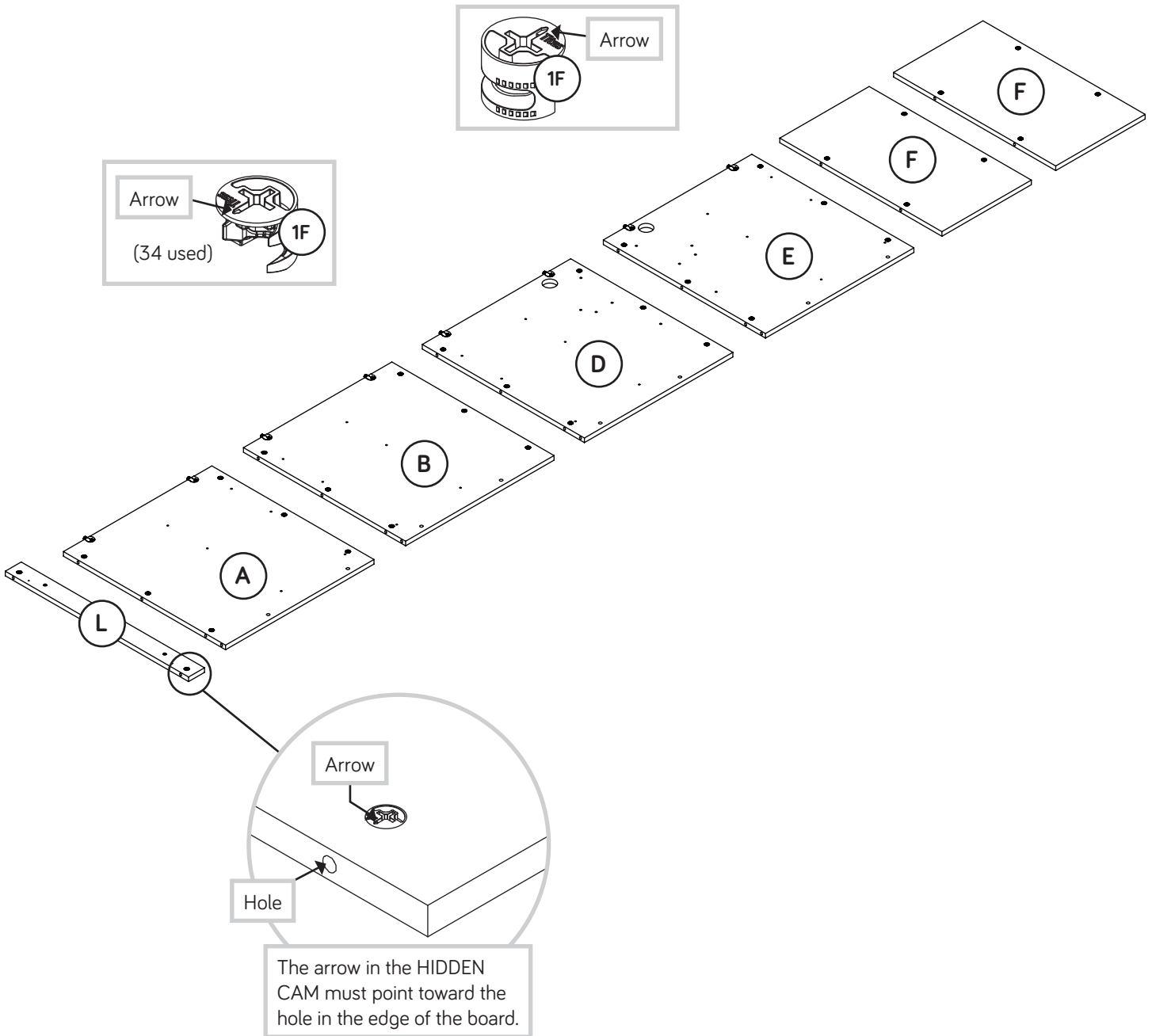
# Step 2



Push thirty-four HIDDEN CAMS (1F) into the ENDS (A and B), UPRIGHTS (D and E), BACKS (F), and PENCIL DRAWER FRONT (L).



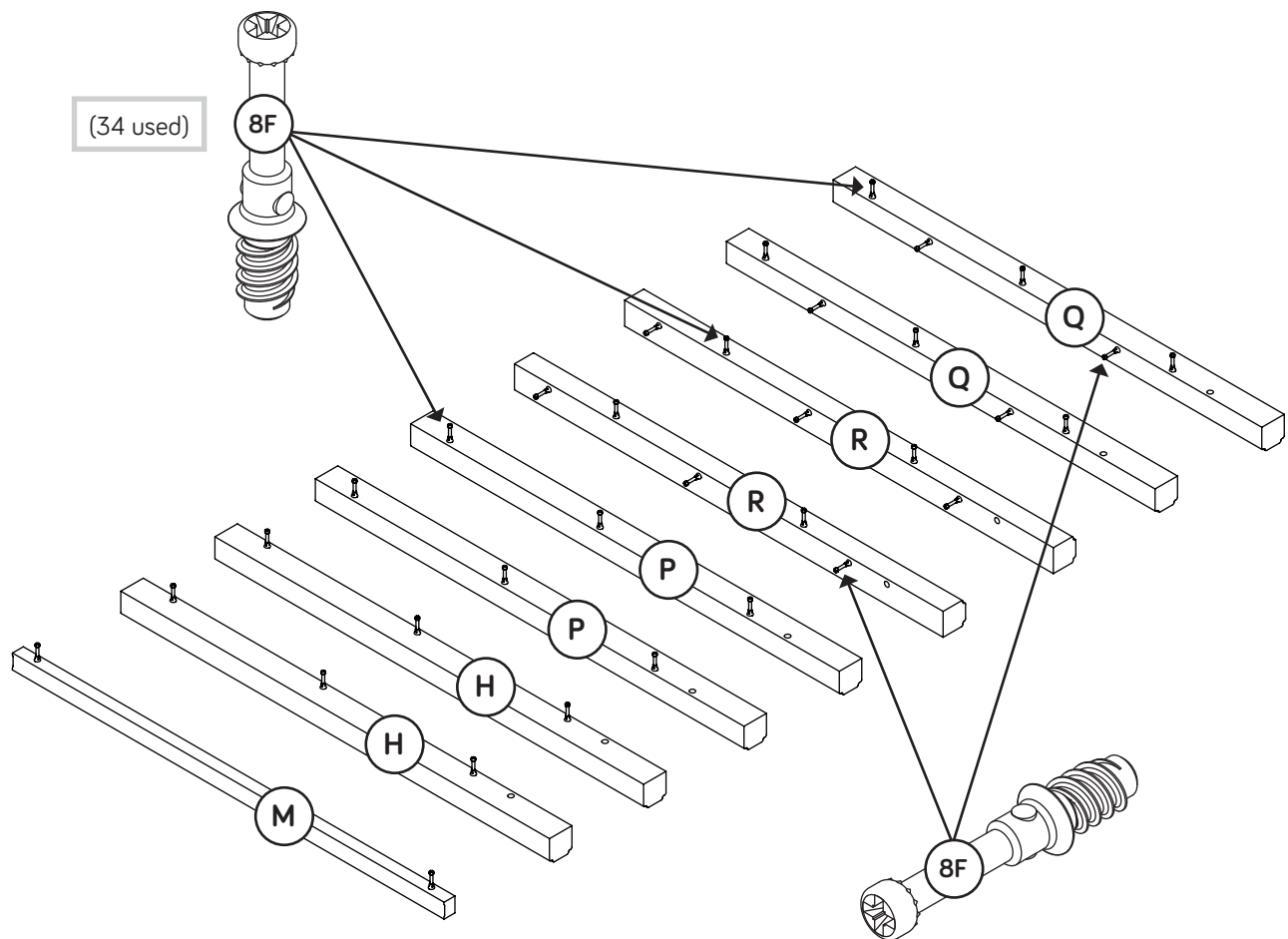
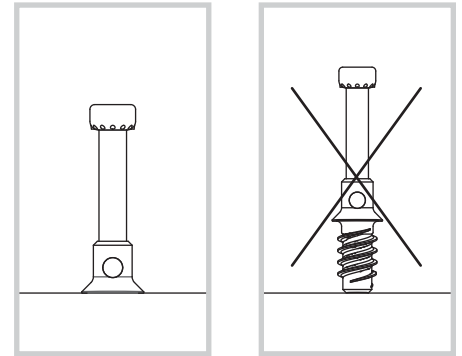
Some assembly  
(and snacks) required.



# Step 3

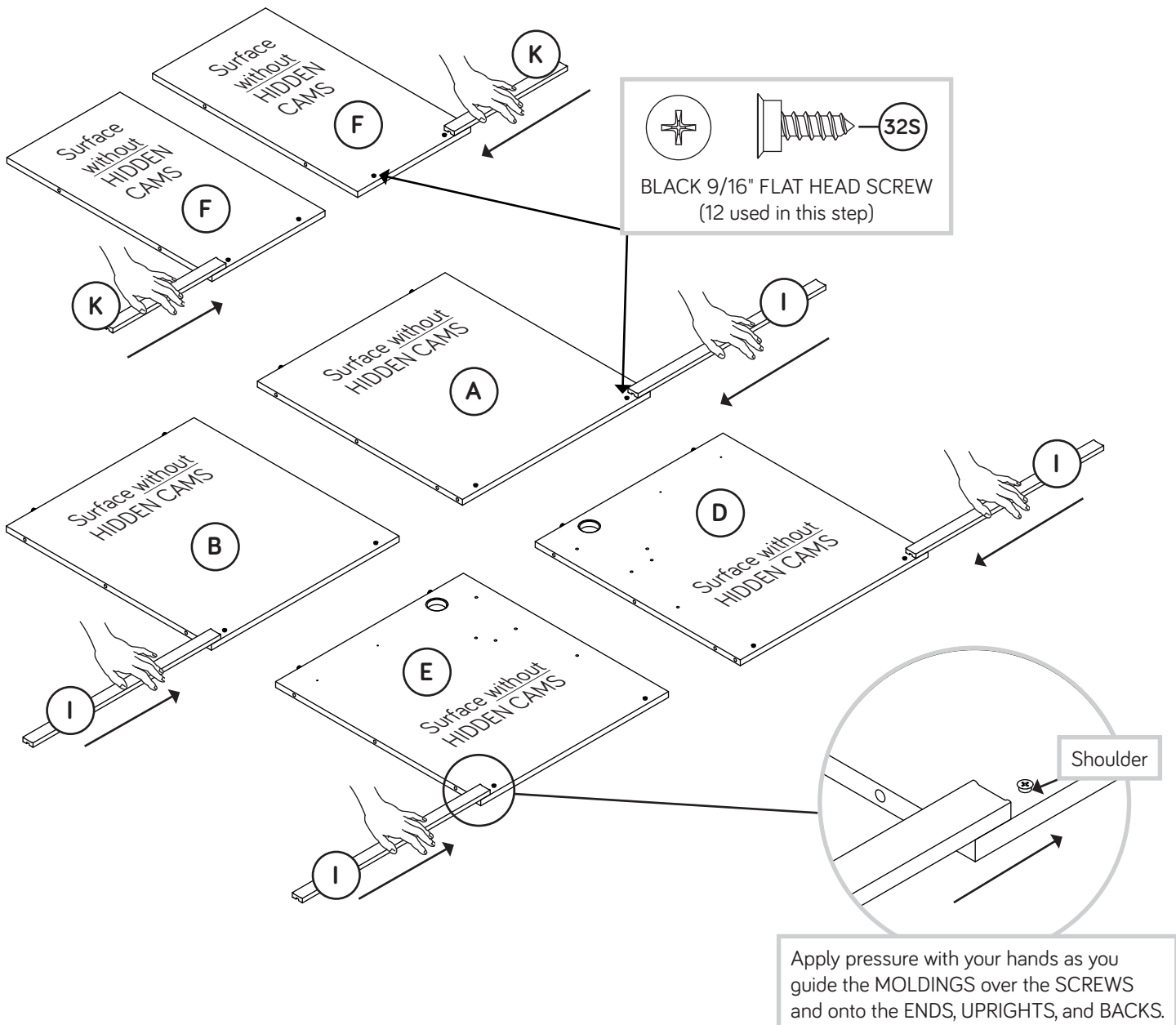


Turn thirty-four CAM SCREWS (8F) into the LEGS (H, P, Q, and R) and PENCIL DRAWER MOLDING (M).



# Step 4

- ✚ Turn the ENDS (A and B), UPRIGHTS (D and E), and BACKS (F) over.
- ✚ Turn twelve BLACK 9/16" FLAT HEAD SCREWS (32S) into the ENDS (A and B), UPRIGHTS (D and E), and BACKS (F) until the shoulders of the SCREWS rest on the surfaces of the ENDS, UPRIGHTS, and BACKS.
- ✚ NOTE: Do not overtighten the SCREWS.
- ✚ Slide the MOLDINGS (I and K) onto the ENDS (A and B), UPRIGHTS (D and E), and BACKS (F). Line up the grooves in the MOLDINGS over the heads of the SCREWS in the ENDS, UPRIGHTS, and BACKS.
- ✚ NOTE: If the MOLDING comes up off of the SCREWS, remove it and slide it on again. The MOLDINGS should be centered over the ENDS, UPRIGHTS, and BACKS.





# Step 5

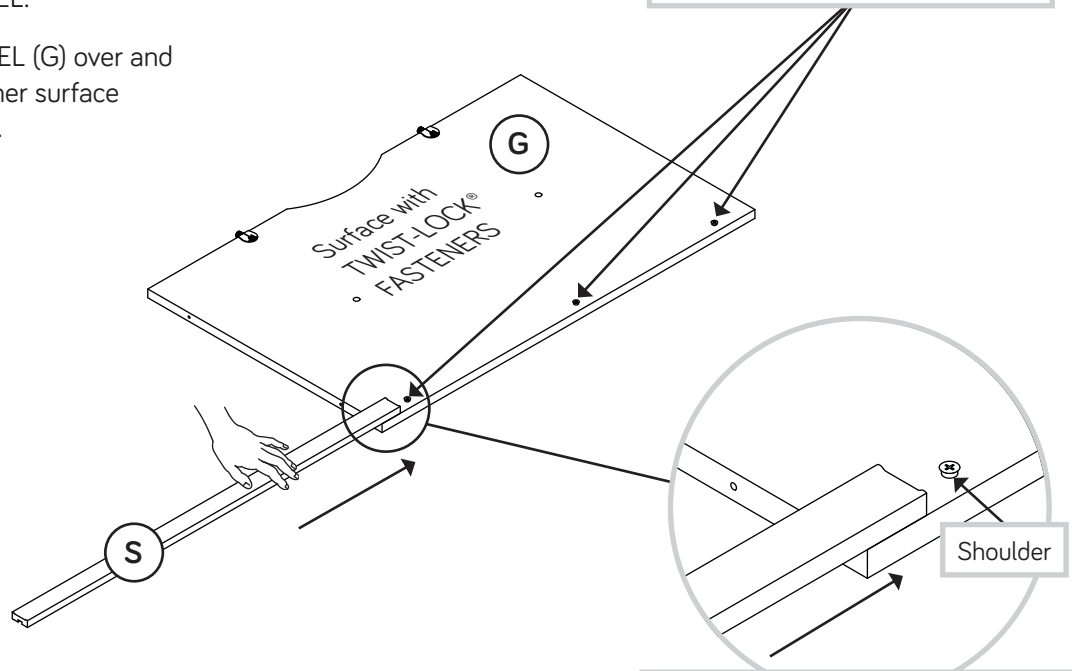
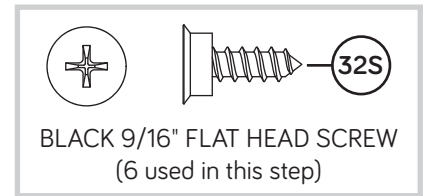
Turn three BLACK 9/16" FLAT HEAD SCREWS (32S) into the MODESTY PANEL (G) until the shoulders of the SCREWS rest on the surface of the MODESTY PANEL.

**NOTE:** Do not overtighten the SCREWS.

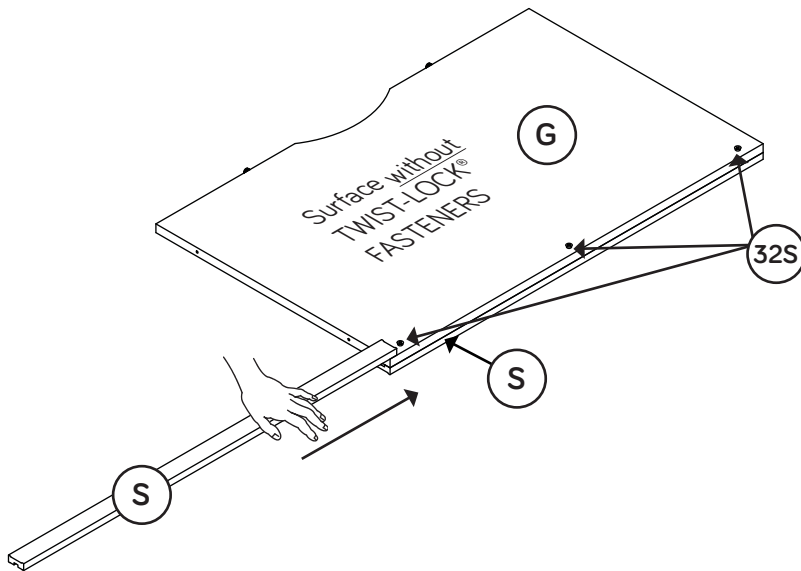
Slide a MODESTY PANEL MOLDING (S) onto the MODESTY PANEL (G). Line up the groove in the MOLDING over the heads of the SCREWS in the MODESTY PANEL.

**NOTE:** If the MOLDING comes up off of the SCREWS, remove it and slide it on again. The MOLDING should be centered over the MODESTY PANEL.

Turn the MODESTY PANEL (G) over and repeat this step to the other surface of the MODESTY PANEL.



Apply pressure with your hands as you guide the MOLDING over the SCREWS and onto the MODESTY PANEL.



# Step 6



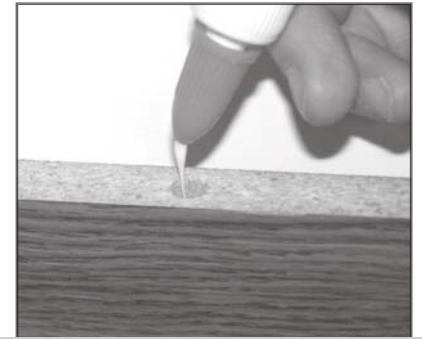
First, fill two holes in the ENDS (A and B) 1/4 to 1/2 full with GLUE (54M). Then, insert two WOOD DOWELS (15F) into the holes. Wipe away the excess GLUE.

**NOTE:** Be sure to position the parts exactly as shown.

Now, fill the holes in the FRONT LEGS (H and P) 1/4 to 1/2 full with GLUE (54M).

Fasten the FRONT LEGS (H and P) to the ENDS (A and B). Tighten six HIDDEN CAMS.

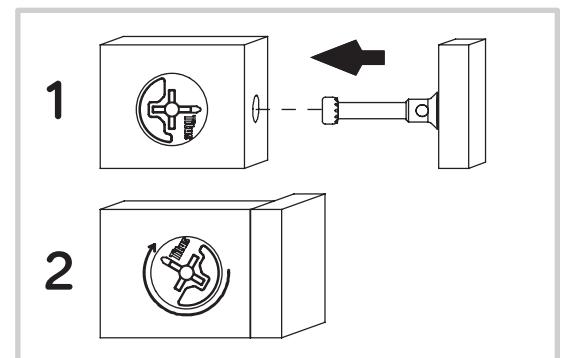
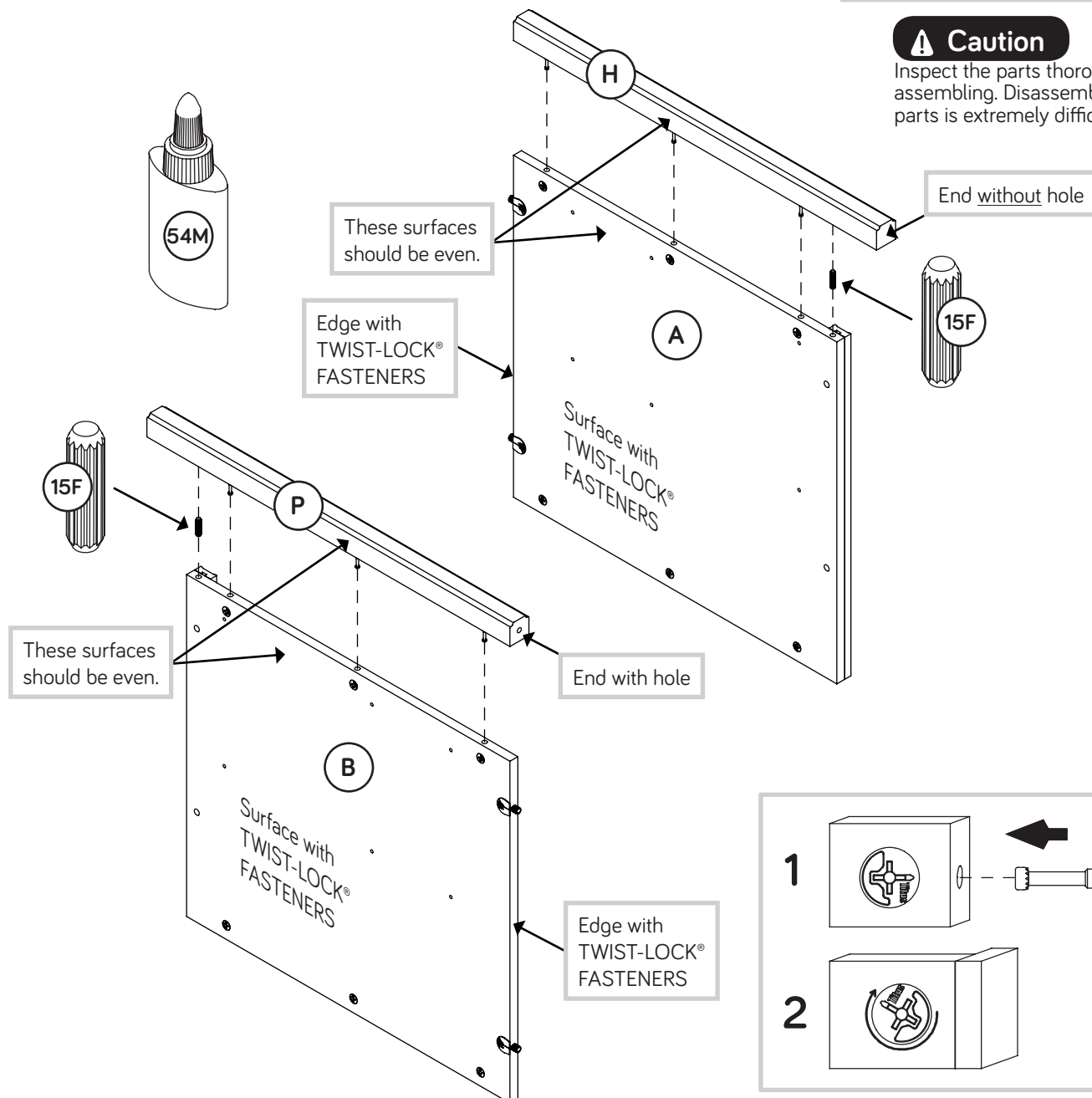
**NOTE:** Be sure the WOOD DOWELS in the ENDS insert into the FRONT LEGS. Wipe away the excess GLUE.



Fill the holes 1/4 to 1/2 full with GLUE.

## Caution

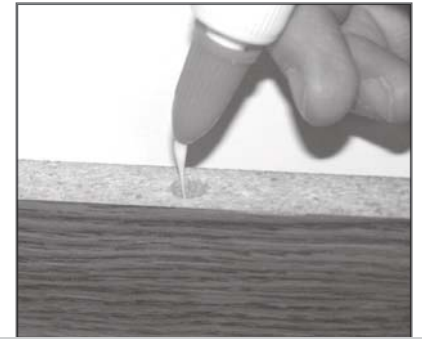
Inspect the parts thoroughly before assembling. Disassembly of glued parts is extremely difficult.



# Step 7



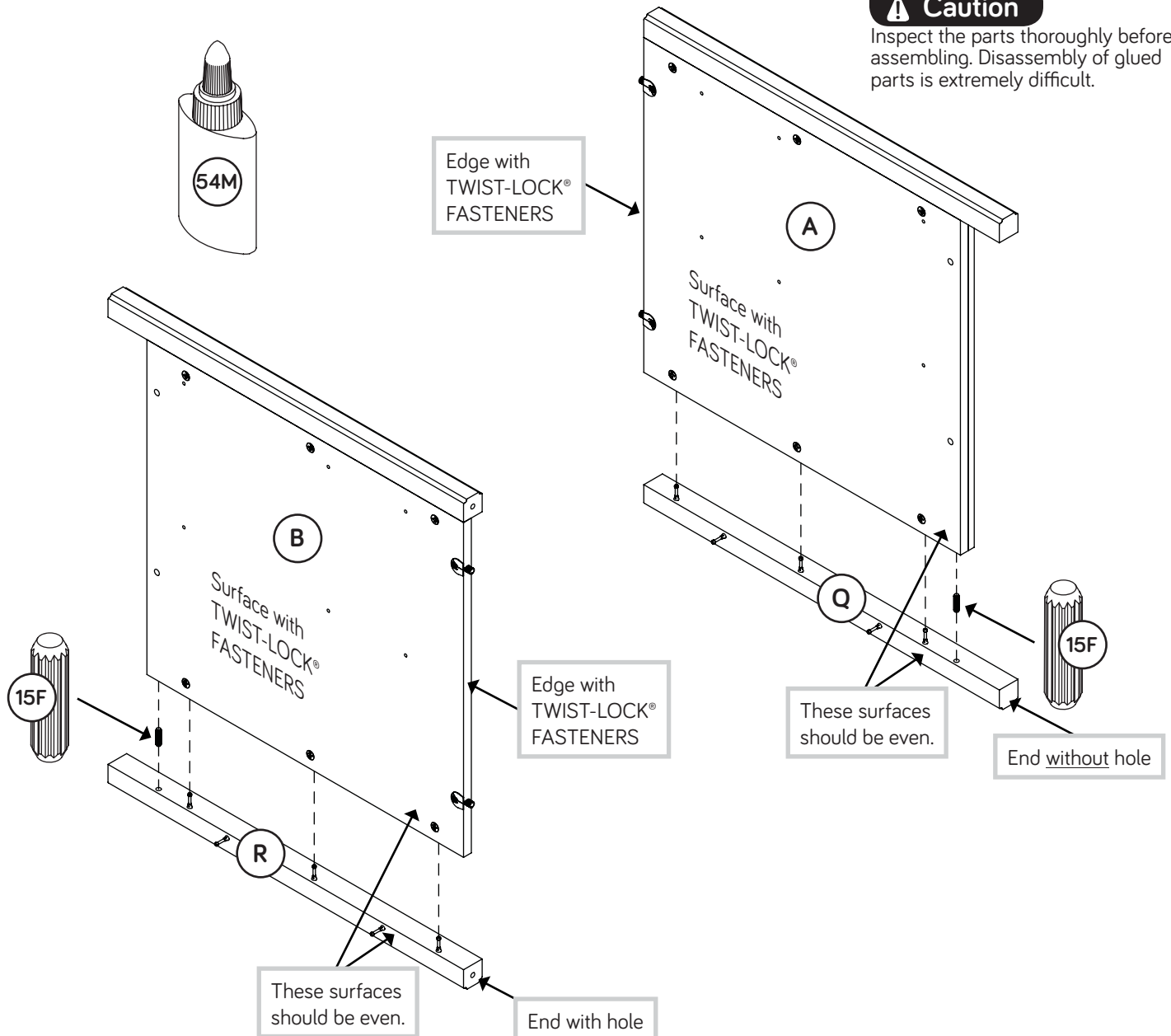
- First, fill two holes in the REAR LEGS (Q and R) 1/4 to 1/2 full with GLUE (54M). Then, insert two WOOD DOWELS (15F) into the holes. Wipe away the excess GLUE.
- Now, fill the holes in the ENDS (A and B) 1/4 to 1/2 full with GLUE (54M).
- Fasten the REAR LEGS (Q and R) to the ENDS (A and B). Tighten six HIDDEN CAMS.
- NOTE:** Be sure the WOOD DOWELS in the REAR LEGS insert into the ENDS. Wipe away the excess GLUE.



Fill the holes 1/4 to 1/2 full with GLUE.

## Caution

Inspect the parts thoroughly before assembling. Disassembly of glued parts is extremely difficult.



# Step 8



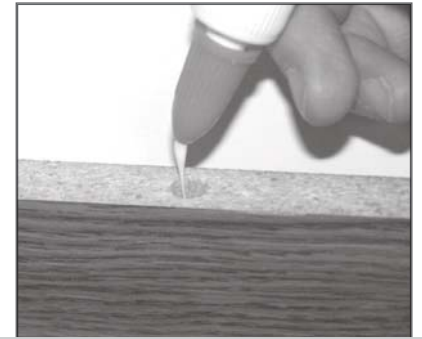
First, fill two holes in the UPRIGHTS (D and E) 1/4 to 1/2 full with GLUE (54M). Then, insert two WOOD DOWELS (15F) into the holes. Wipe away the excess GLUE.

**NOTE:** Be sure to position the parts exactly as shown.

Now, fill the holes in the REAR LEGS (Q and R) 1/4 to 1/2 full with GLUE (54M).

Fasten the REAR LEGS (Q and R) to the UPRIGHTS (D and E). Tighten six HIDDEN CAMS.

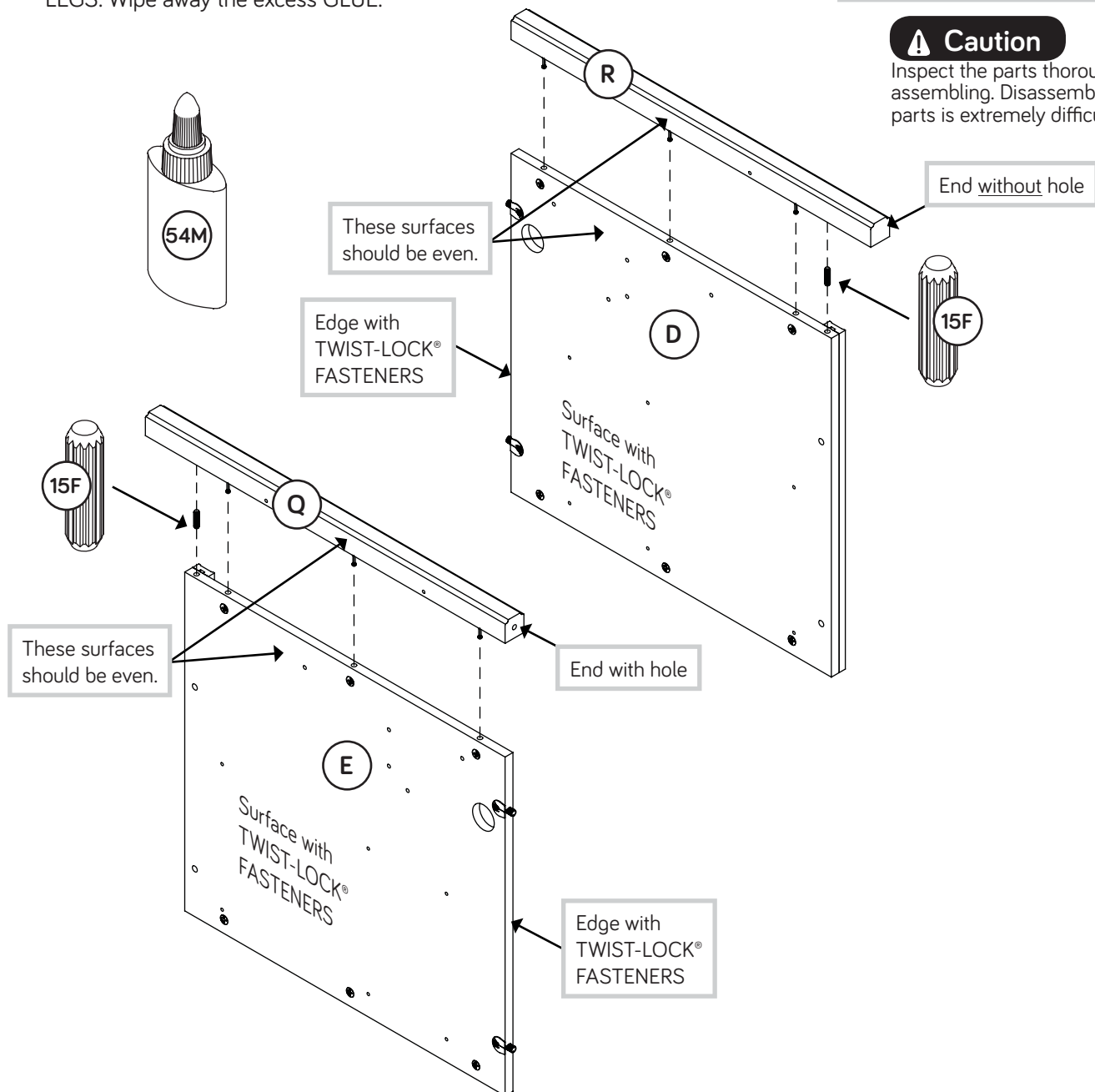
**NOTE:** Be sure the WOOD DOWELS in the UPRIGHTS insert into the REAR LEGS. Wipe away the excess GLUE.



Fill the holes 1/4 to 1/2 full with GLUE.

### Caution

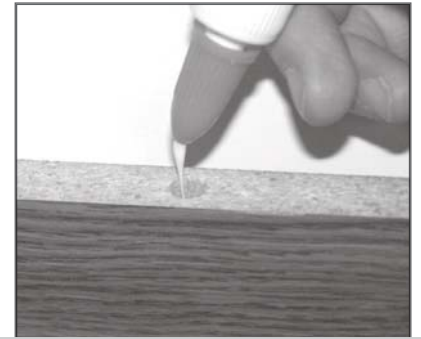
Inspect the parts thoroughly before assembling. Disassembly of glued parts is extremely difficult.



# Step 9



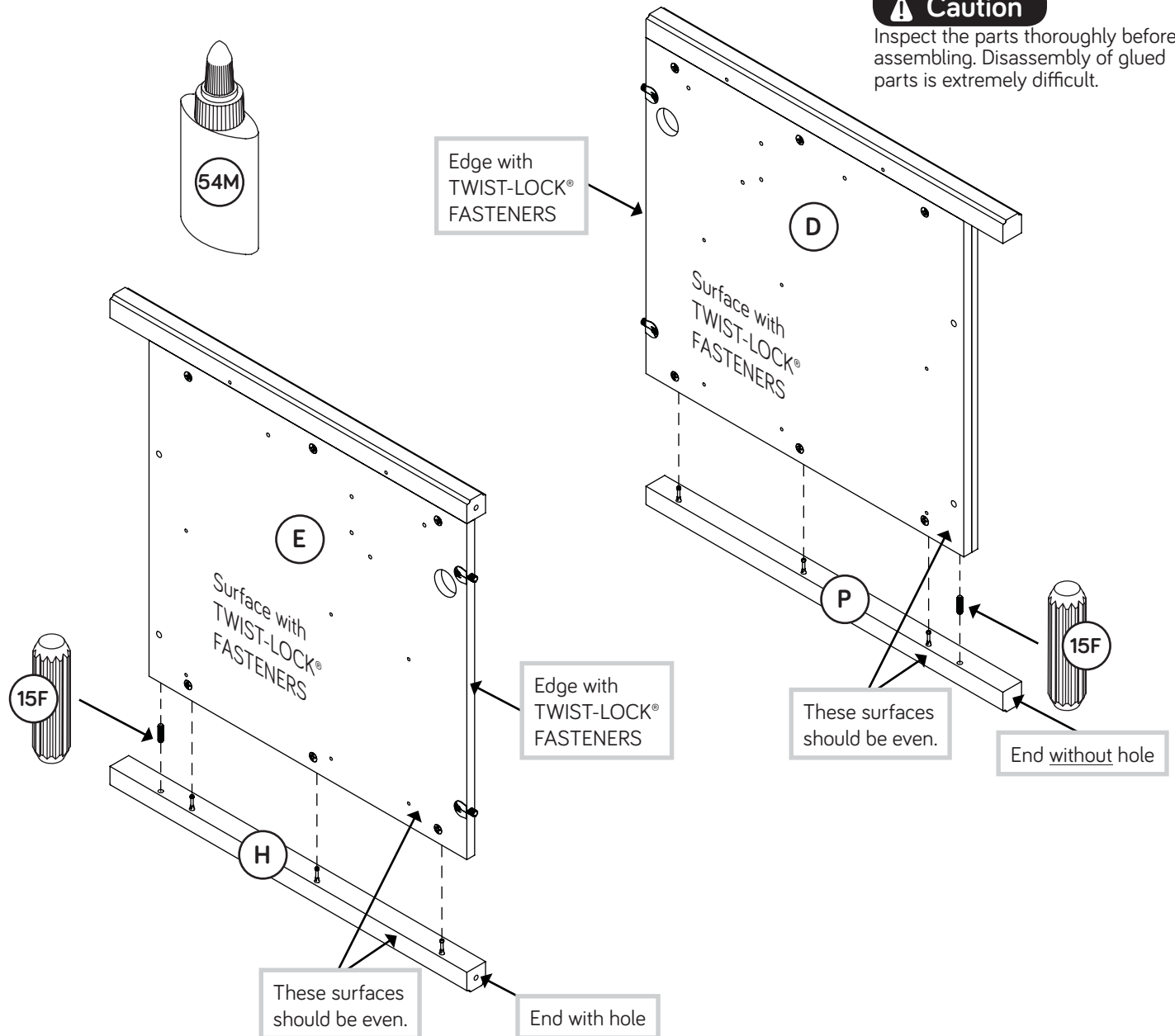
- First, fill two holes in the FRONT LEGS (H and P) 1/4 to 1/2 full with GLUE (54M). Then, insert two WOOD DOWELS (15F) into the holes. Wipe away the excess GLUE.
- Now, fill the holes in the UPRIGHTS (D and E) 1/4 to 1/2 full with GLUE (54M).
- Fasten the FRONT LEGS (P and H) to the UPRIGHTS (D and E). Tighten six HIDDEN CAMS.
- NOTE:** Be sure the WOOD DOWELS in the FRONT LEGS insert into the UPRIGHTS. Wipe away the excess GLUE.



Fill the holes 1/4 to 1/2 full with GLUE.

## Caution

Inspect the parts thoroughly before assembling. Disassembly of glued parts is extremely difficult.

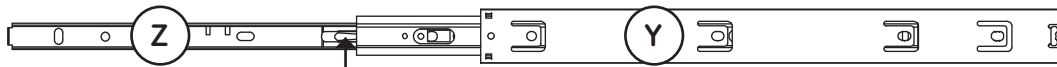


# Step 10

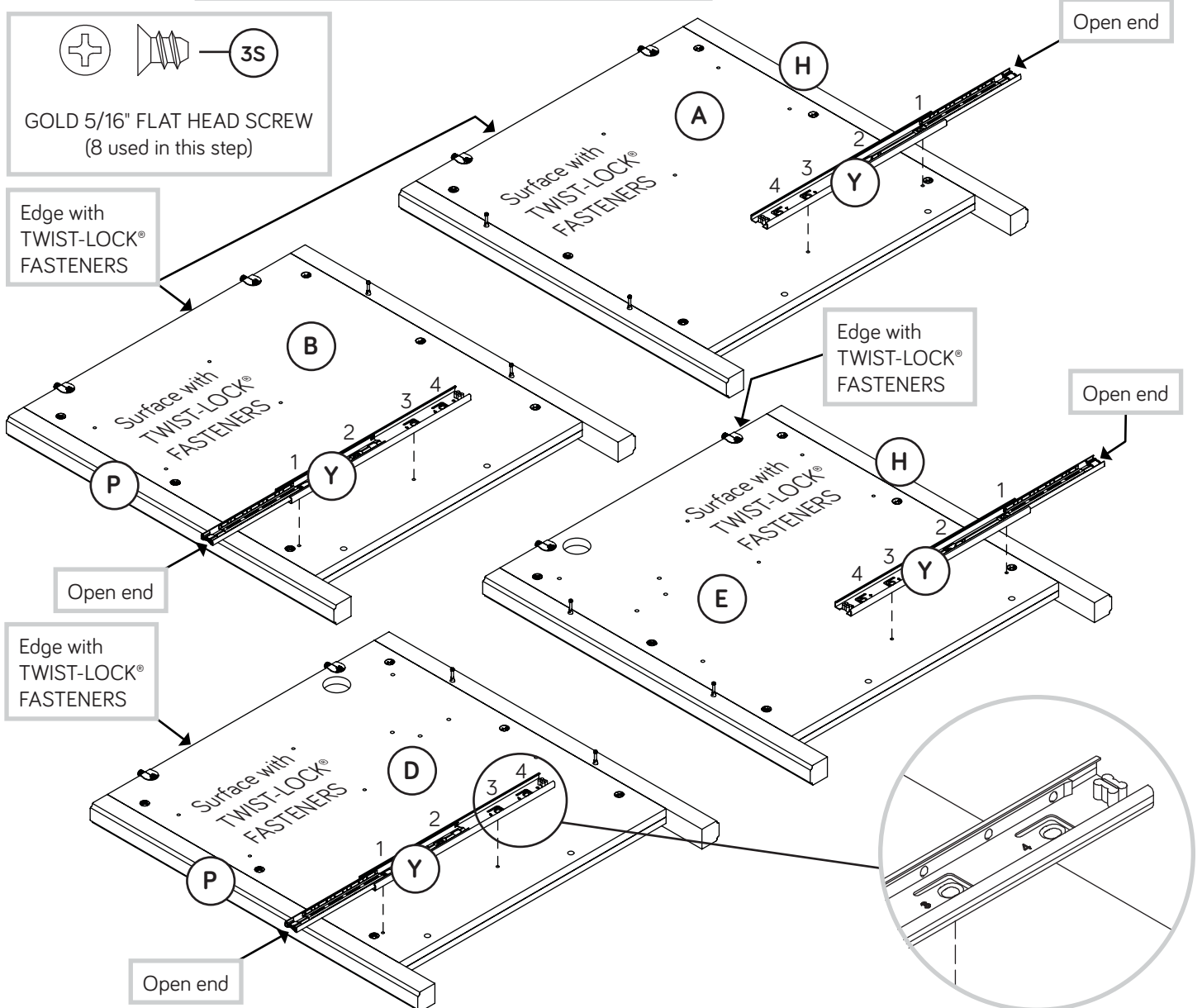
Separate the WIDE EXTENSION SET (Y and Z) from the NARROW EXTENSION SET (AA and BB).



- ✦ Separate the WIDE EXTENSION SLIDES (Z) from the WIDE EXTENSION RAILS (Y) as shown in the upper diagram below. Be prepared, the parts are greasy.
- ✦ Fasten the WIDE EXTENSION RAILS (Y) to the ENDS (A and B) and UPRIGHTS (D and E). Use eight GOLD 5/16" FLAT HEAD SCREWS (3S) through holes #1 and #3.
- ✦ **NOTE:** For each WIDE EXTENSION RAIL, turn a SCREW into the hole shown in the enlarged diagram. Then, slide the inner cartridge of the WIDE EXTENSION RAIL in to find the other hole that lines up with the hole in the ENDS and UPRIGHTS. Turn a SCREW into this hole.
- ✦ **NOTE:** The WIDE EXTENSION SLIDES will be used later for the LARGE DRAWERS.



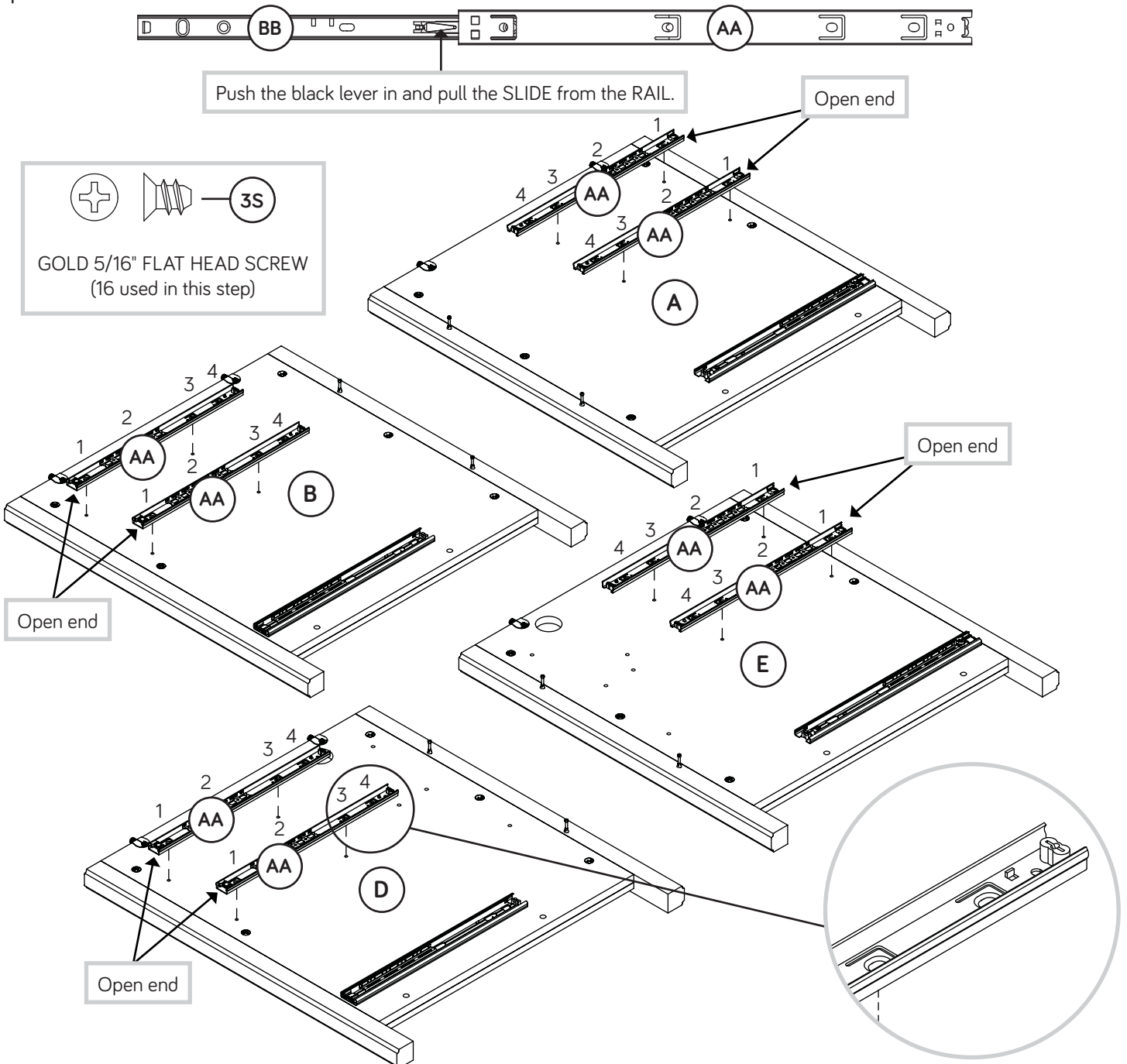
Push the black lever in and pull the SLIDE from the RAIL.



# Step 11



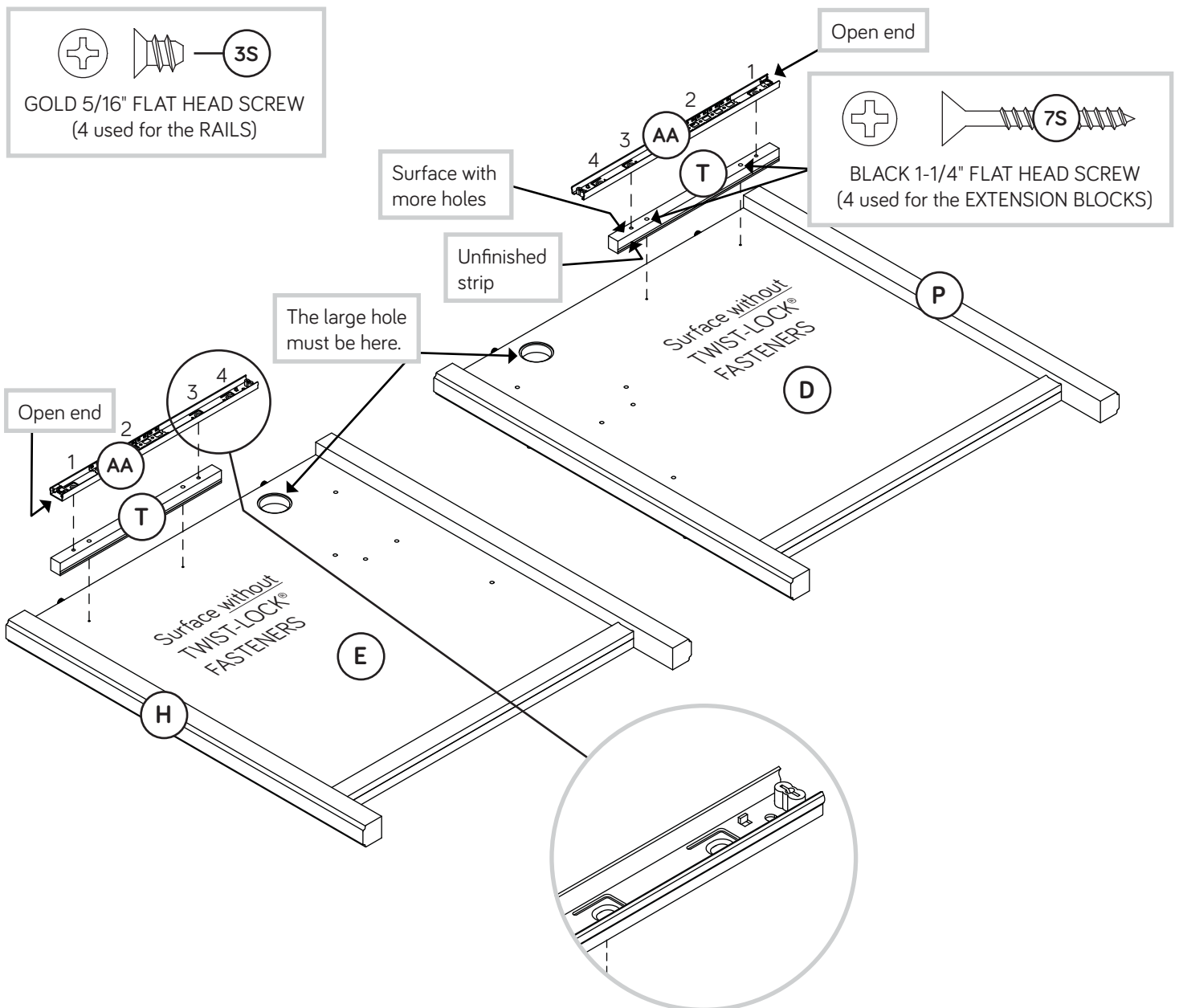
- ✚ Separate the NARROW EXTENSION SLIDES (BB) from the NARROW EXTENSION RAILS (AA) as shown in the upper diagram below. Be prepared, the parts are greasy.
- ✚ Fasten eight NARROW EXTENSION RAILS (AA) to the ENDS (A and B) and UPRIGHTS (D and E). Use sixteen GOLD 5/16" FLAT HEAD SCREWS (3S) through holes #1 and #3.
- ✚ **NOTE:** For each NARROW EXTENSION RAIL, turn a SCREW into the hole shown in the enlarged diagram. Then, slide the inner cartridge of the NARROW EXTENSION RAIL in to find the other hole that lines up with the hole in the ENDS and UPRIGHTS. Turn a SCREW into this hole.
- ✚ **NOTE:** The NARROW EXTENSION SLIDES will be used later for the SMALL DRAWERS and PENCIL DRAWER.



# Step 12



- ✚ Turn the UPRIGHTS (D and E) over.
- ✚ Fasten the EXTENSION BLOCKS (T) to the UPRIGHTS (D and E). Use four BLACK 1-1/4" FLAT HEAD SCREWS (7S).
- ✚ Fasten the remaining two NARROW EXTENSION RAILS (AA) to the UPRIGHTS (D and E). Use four GOLD 5/16" FLAT HEAD SCREWS (3S) through holes #1 and #3.
- ✚ **NOTE:** For each NARROW EXTENSION RAIL, turn a SCREW into the hole shown in the enlarged diagram. Then, slide the inner cartridge of the NARROW EXTENSION RAIL in to find the other hole that lines up with the hole in the ENDS and UPRIGHTS. Turn a SCREW into this hole.





# Step 13



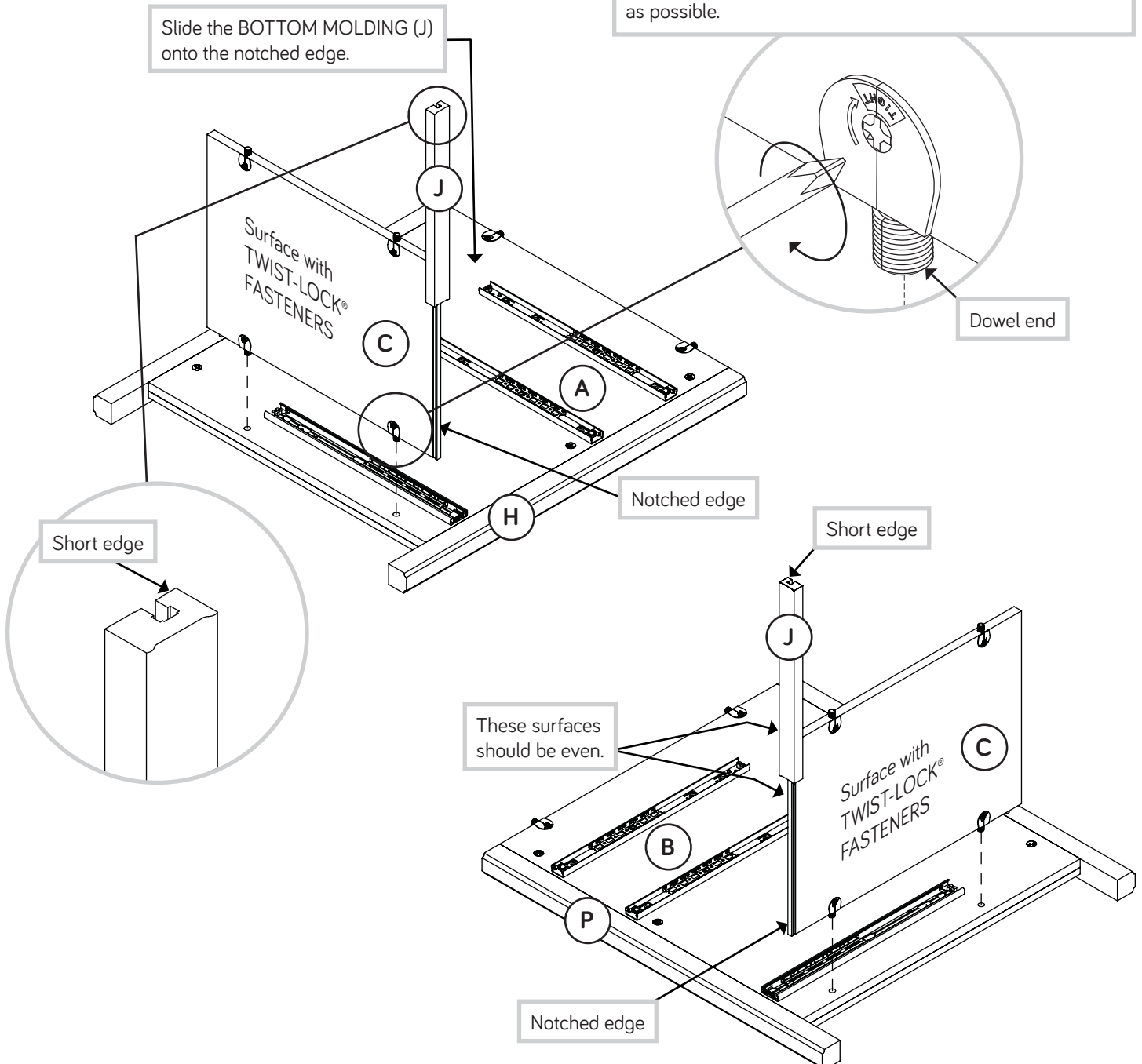
- Fasten the BOTTOMS (C) to the ENDS (A and B). Tighten four TWIST-LOCK® FASTENERS.
- Slide the BOTTOM MOLDINGS\* (J) onto the notched edges of the BOTTOMS (C).
- \*U.S. Patent No. 5,499,886

## How to use the SAUDER TWIST-LOCK® FASTENER

1. Insert the dowel end of the FASTENER into the hole of the adjoining part.

**NOTE:** The dowel end of the FASTENER must remain fully inserted in the hole of the adjoining part while locking the FASTENER.

2. Tighten the FASTENER with a Phillips screwdriver as tight as possible.



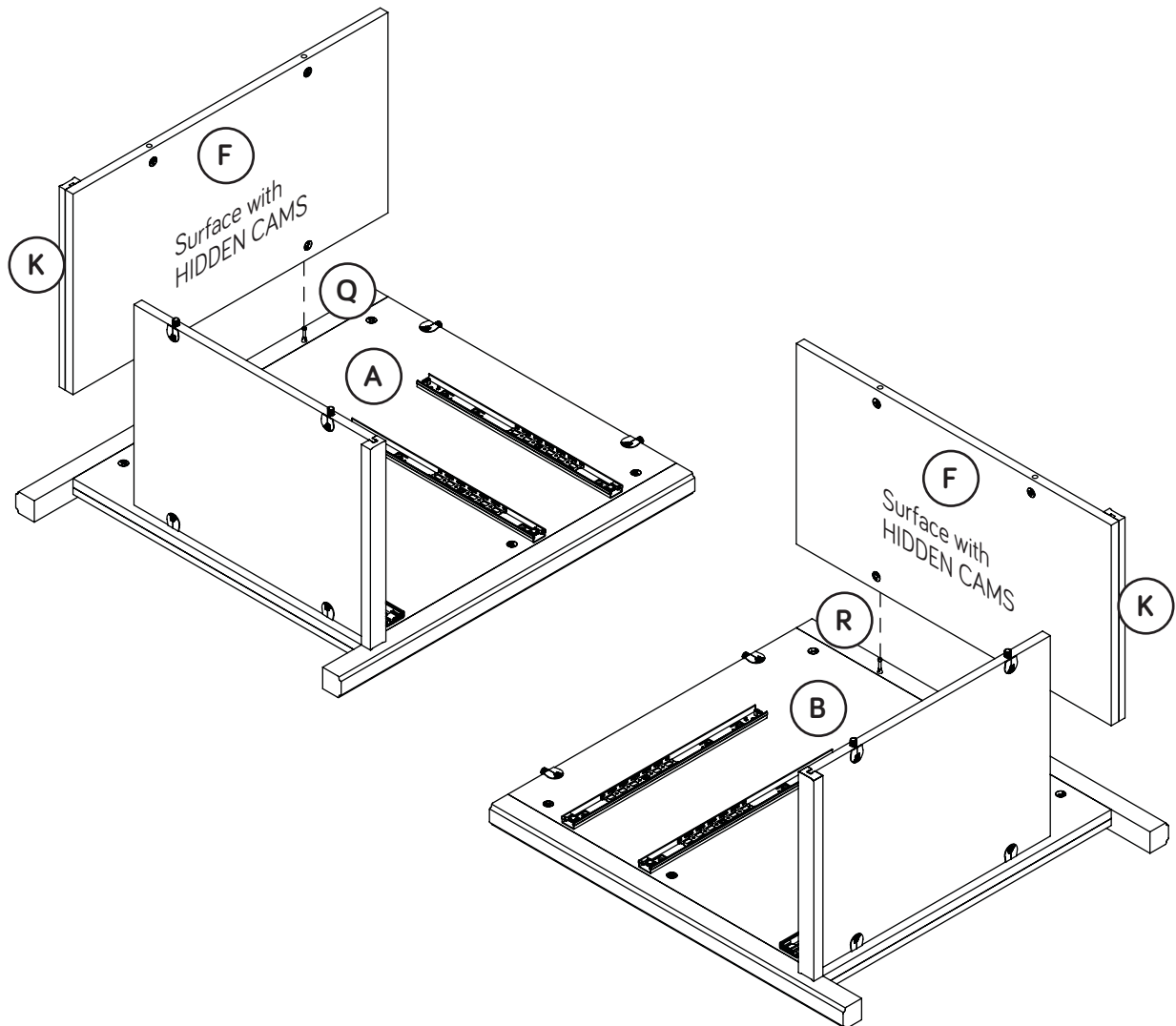
# Step 14



- Fasten the BACKS (F) to the REAR LEGS (Q and R) that are on the ENDS (A and B). Tighten four HIDDEN CAMS.



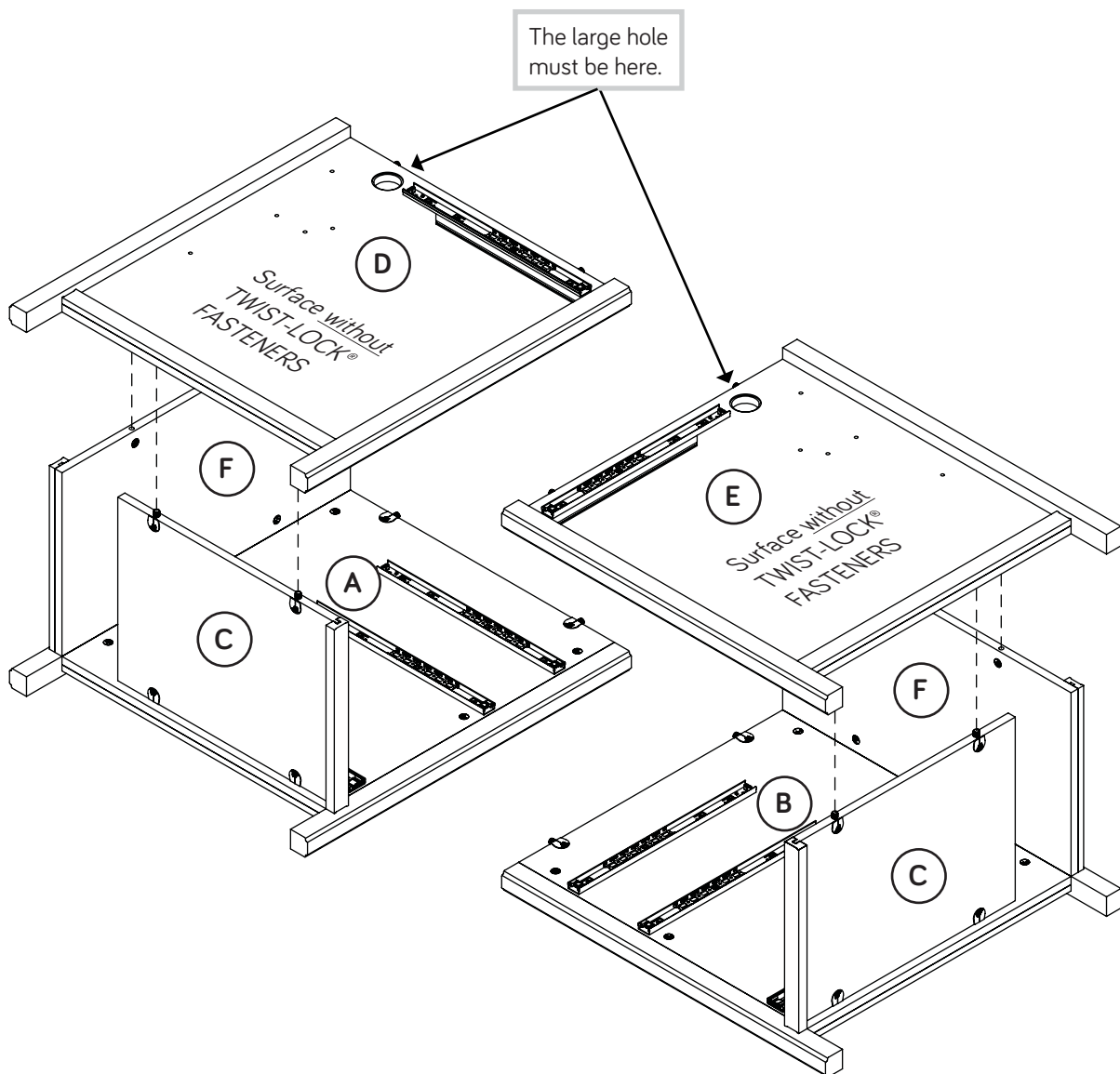
Don't worry. It isn't Rome. This can be built in a day.



# Step 15



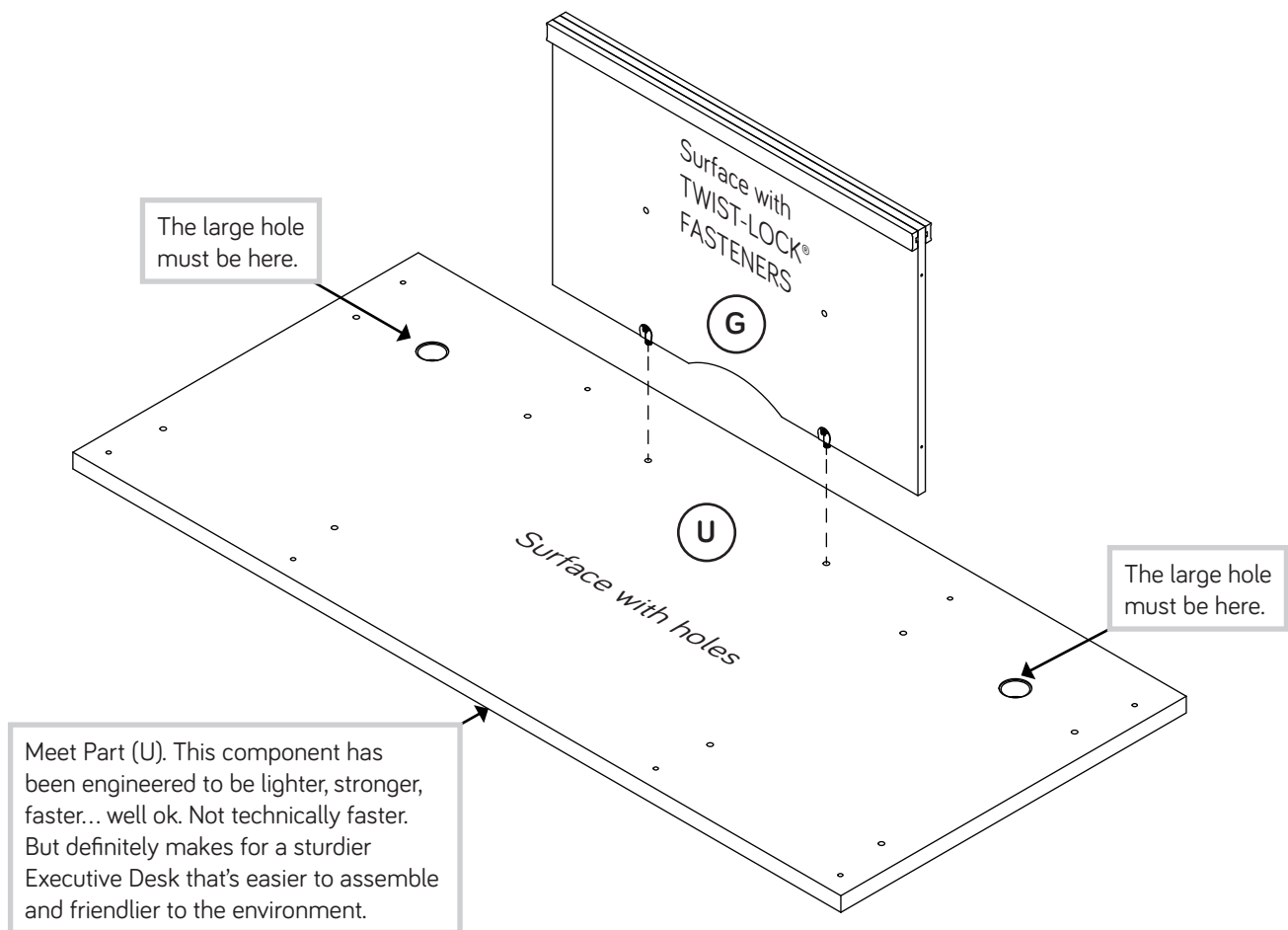
- Fasten the RIGHT UPRIGHT (D) to the BOTTOM (C) and BACK (F). Tighten two HIDDEN CAMS and two TWIST-LOCK® FASTENERS.
- Fasten the LEFT UPRIGHT (E) to the BOTTOM (C) and BACK (F). Tighten two HIDDEN CAMS and two TWIST-LOCK® FASTENERS.



# Step 16



- Fasten the MODESTY PANEL (G) to the TOP (U). Tighten two TWIST-LOCK® FASTENERS.

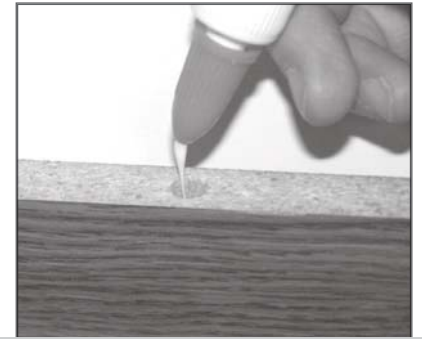


# Step 17

**NOTE:** Before beginning this step, be sure to separate the BLACK 1-9/16" FLAT HEAD SCREWS (30S) from the BLACK 1-15/16" FLAT HEAD SCREWS (113S). Do not confuse these SCREWS.



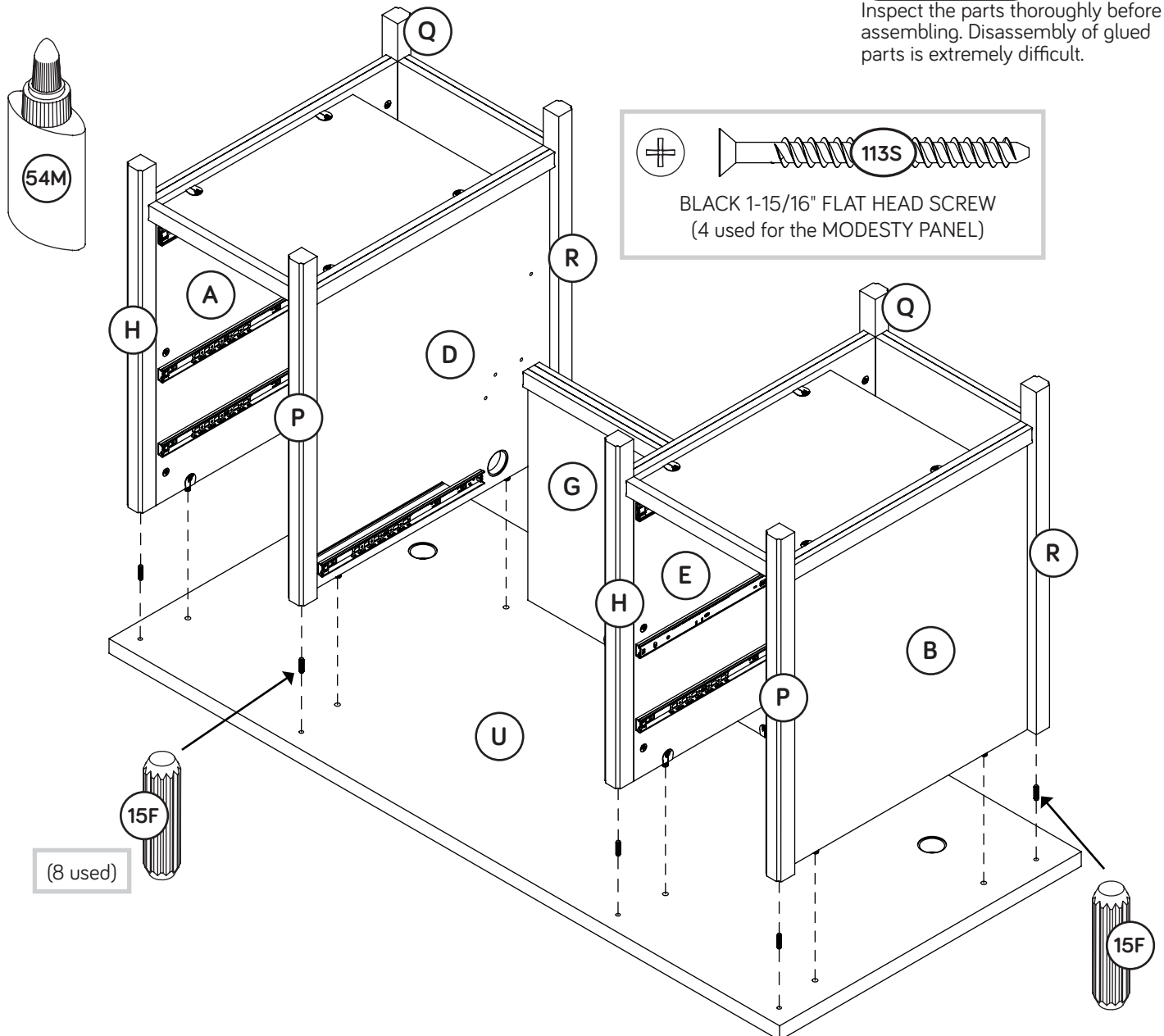
- ✚ **NOTE:** You will need someone's help in this step.
- ✚ First, fill eight small holes in the TOP (U) 1/4 to 1/2 full with GLUE (54M). Then, insert eight WOOD DOWELS (15F) into the holes. Wipe away the excess GLUE.
- ✚ Now, fill the holes in the LEGS (H, P, Q, and R) 1/4 to 1/2 full with GLUE (54M).
- ✚ Fasten the ENDS (A and B) and UPRIGHTS (D and E) to the TOP (U). Tighten eight TWIST-LOCK® FASTENERS.
- ✚ **NOTE:** Be sure the WOOD DOWELS in the TOP insert into the LEGS. Wipe away the excess GLUE.
- ✚ Fasten the UPRIGHTS (D and E) to the MODESTY PANEL (G). Use four BLACK 1-15/16" FLAT HEAD SCREWS (113S).



Fill the holes 1/4 to 1/2 full with GLUE.

### ⚠ Caution

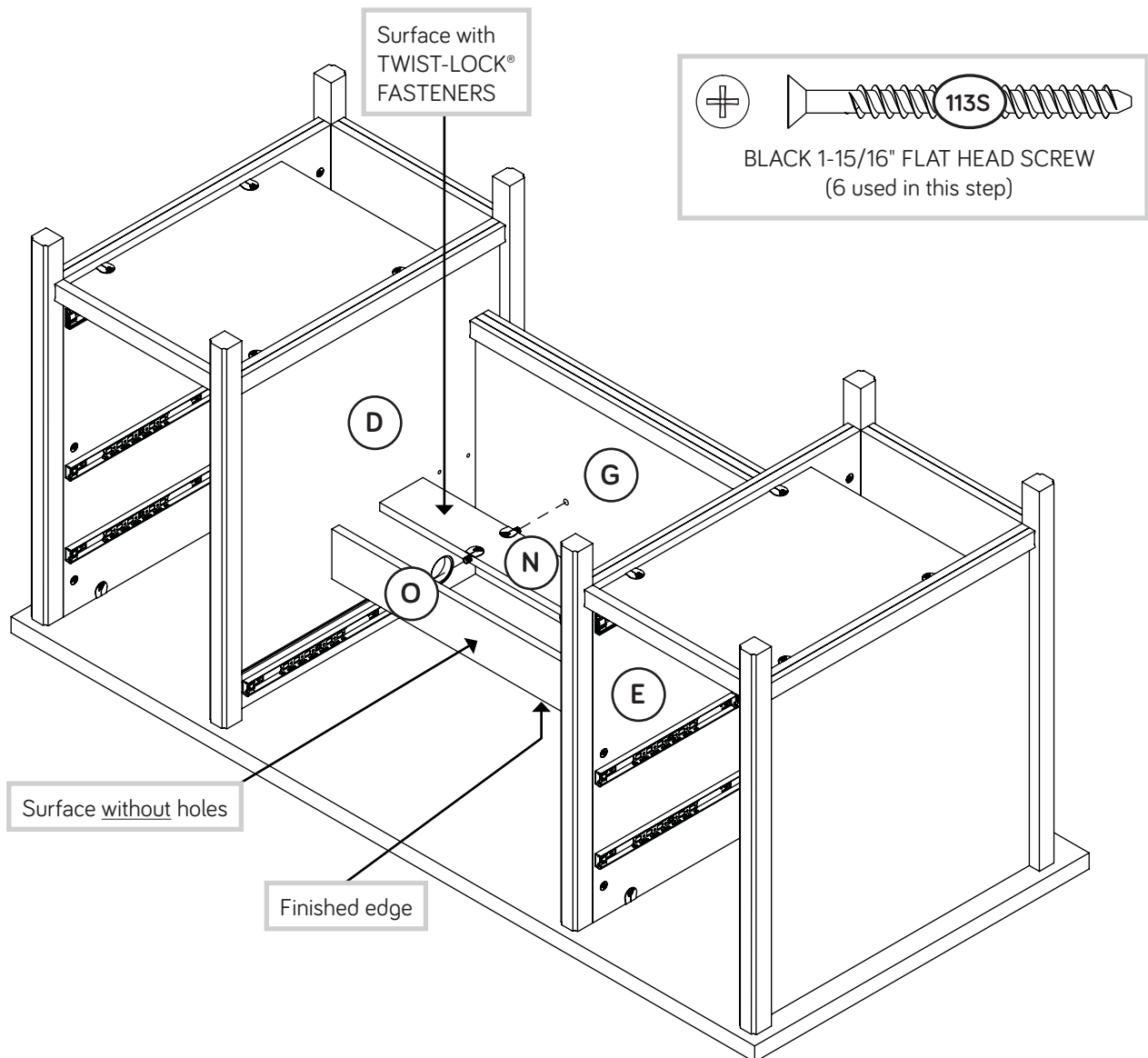
Inspect the parts thoroughly before assembling. Disassembly of glued parts is extremely difficult.



# Step 18



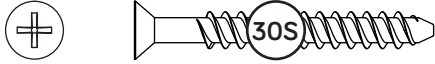
- ✚ Fasten the SHELF (N) to the MODESTY PANEL (G). Tighten two TWIST-LOCK® FASTENERS.
- ✚ Fasten the SHELF (N) to the UPRIGHTS (D and E). Use four BLACK 1-15/16" FLAT HEAD SCREWS (113S).
- ✚ Fasten the SHELF FRONT (O) to the SHELF (N). Tighten two TWIST-LOCK® FASTENERS.
- ✚ Fasten the SHELF FRONT (O) to the UPRIGHTS (D and E). Use two BLACK 1-15/16" FLAT HEAD SCREWS (113S).



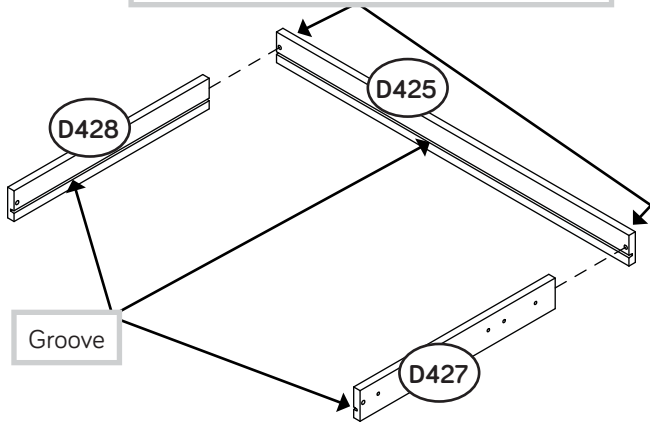
# Step 19

1

Start each screw a few turns before completely tightening any of them.



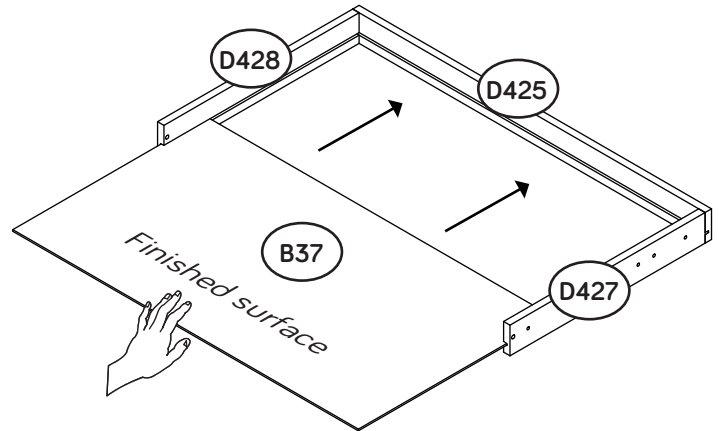
BLACK 1-9/16" FLAT HEAD SCREW  
(2 used in this step)



Fasten the PENCIL DRAWER SIDES (D427 and D428) to the PENCIL DRAWER BACK (D425). Use two BLACK 1-9/16" FLAT HEAD SCREWS (30S).

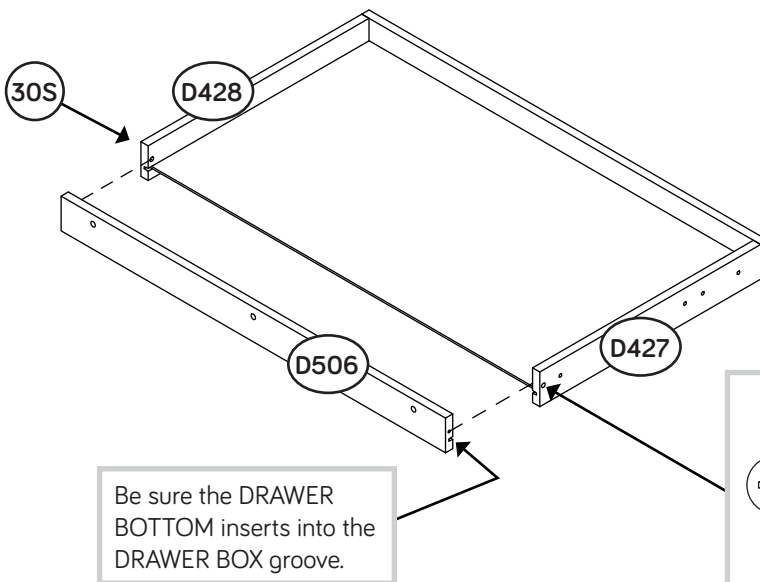
2

With the palm of your hand, tap the DRAWER BOTTOM down into the groove.



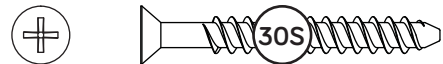
Slide the PENCIL DRAWER BOTTOM (B37) into the grooves in the PENCIL DRAWER SIDES (D427 and D428) and PENCIL DRAWER BACK (D425).

3



Be sure the DRAWER BOTTOM inserts into the DRAWER BOX groove.

Start each screw a few turns before completely tightening any of them.



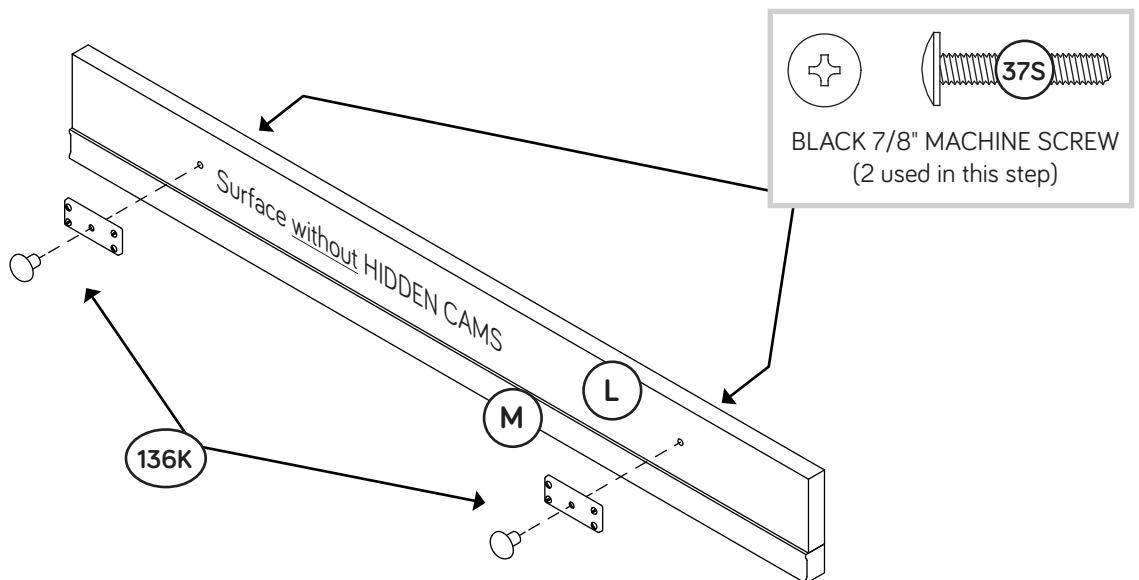
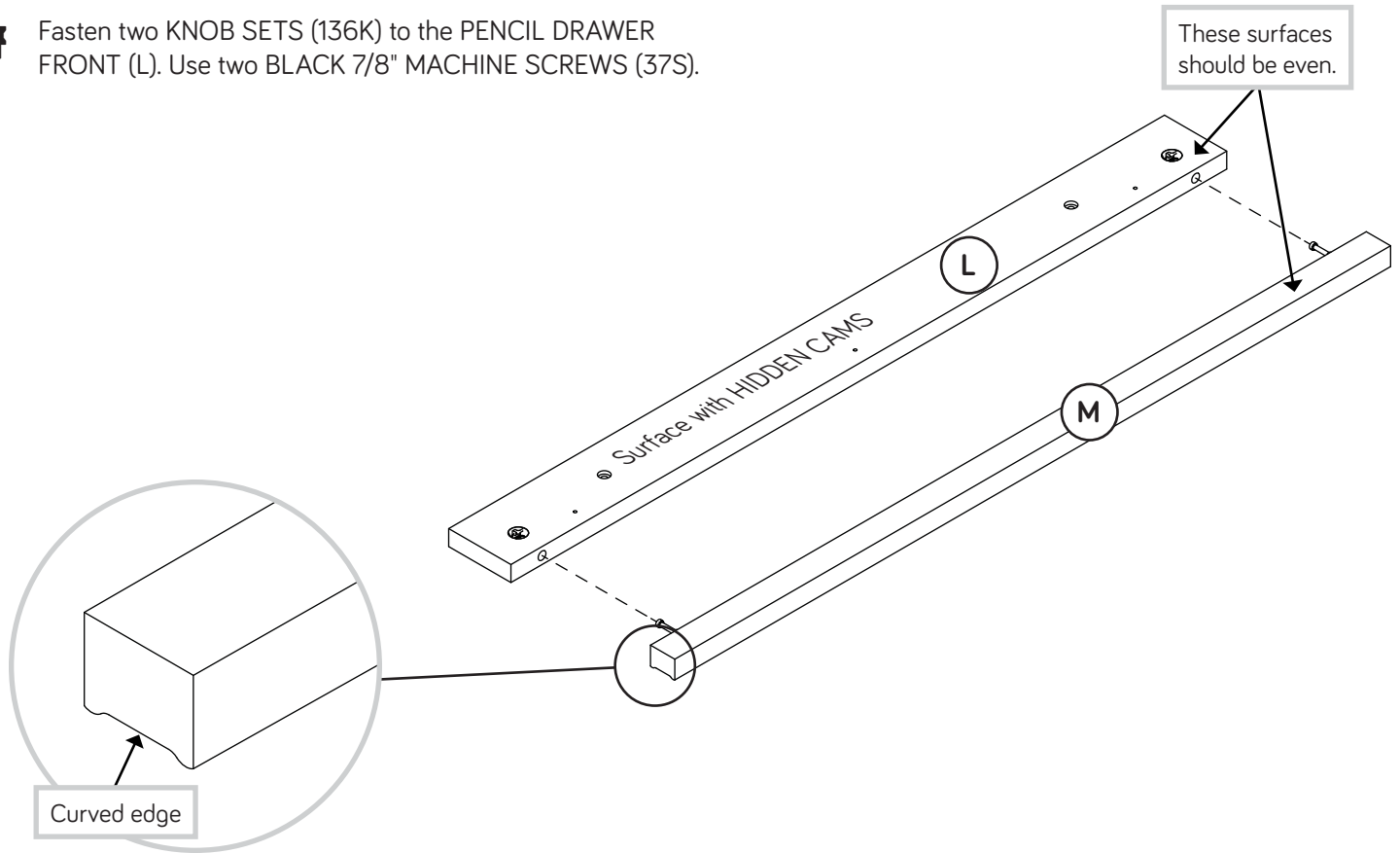
BLACK 1-9/16" FLAT HEAD SCREW  
(2 used in this step)

Fasten the PENCIL DRAWER BOX FRONT (D506) to the PENCIL DRAWER SIDES (D427 and D428). Use two BLACK 1-9/16" FLAT HEAD SCREWS (30S).

# Step 20



- Fasten the PENCIL DRAWER FRONT (L) to the PENCIL DRAWER MOLDING (M). Tighten two HIDDEN CAMS.
- Fasten two KNOB SETS (136K) to the PENCIL DRAWER FRONT (L). Use two BLACK 7/8" MACHINE SCREWS (37S).

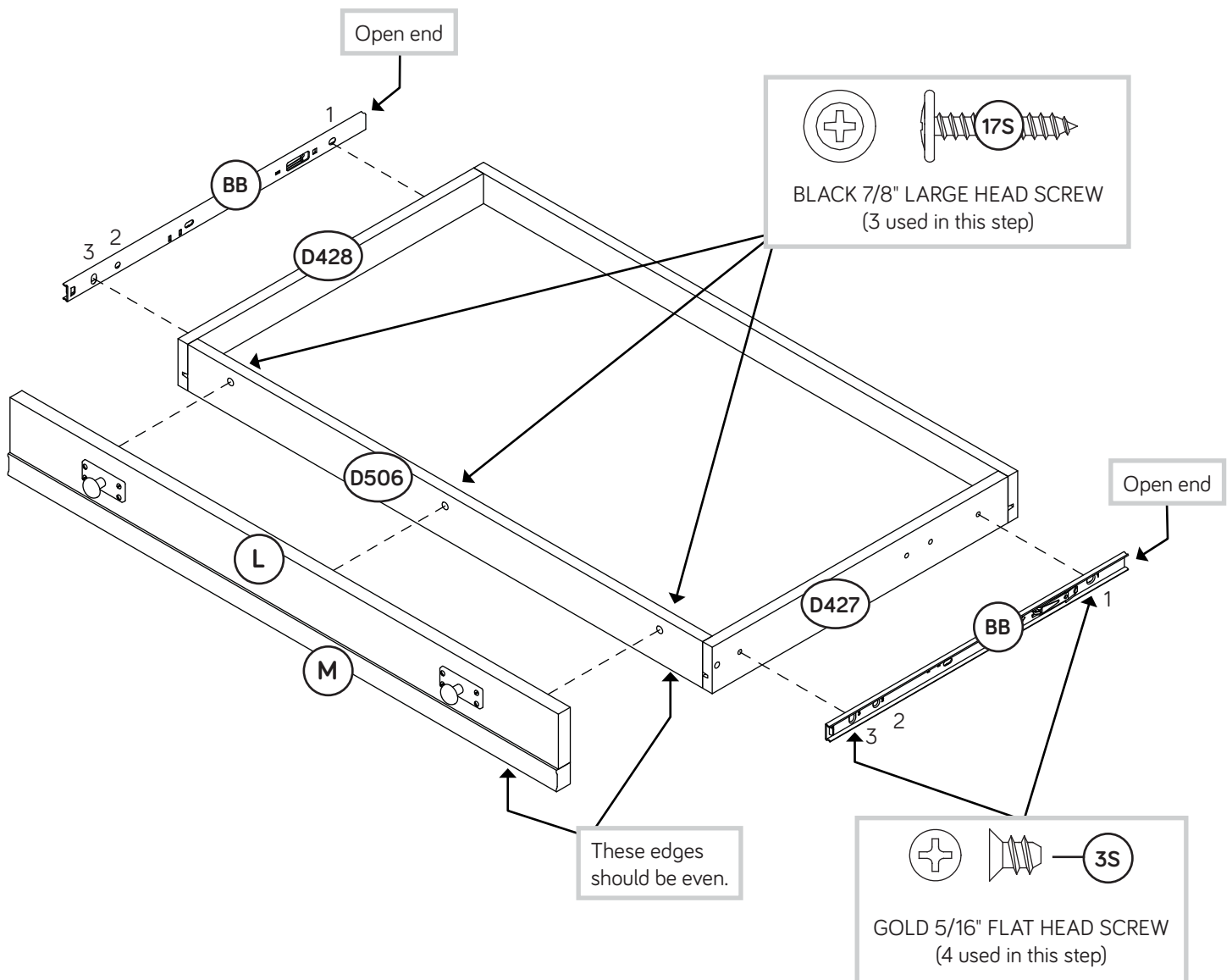




# Step 21



- Fasten two NARROW EXTENSION SLIDES (BB) to the PENCIL DRAWER SIDES (D427 and D428). Use four GOLD 5/16" FLAT HEAD SCREWS (3S) through holes #1 and #3.
- Fasten the PENCIL DRAWER FRONT (L) to the PENCIL DRAWER BOX FRONT (D506). Use three BLACK 7/8" LARGE HEAD SCREWS (17S).



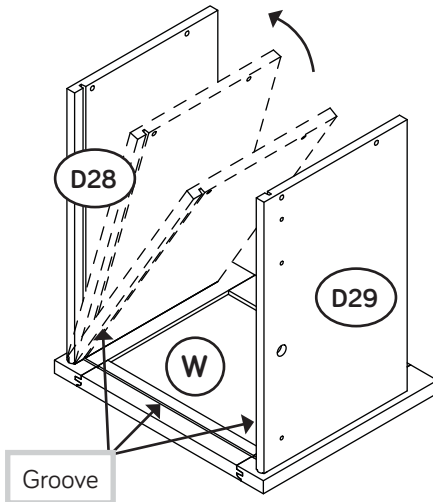
# Step 22

VIEW THE T-LOCK BOX VIDEO



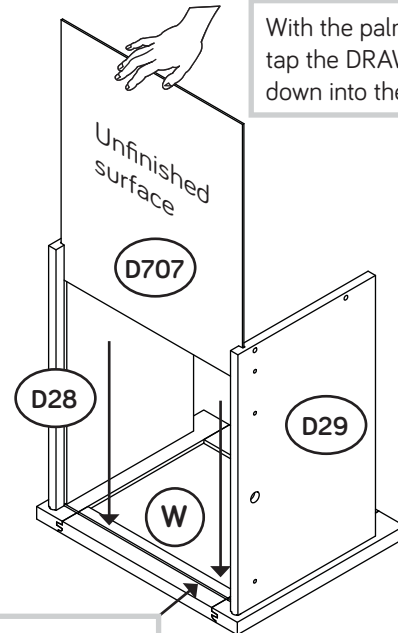
1

The tabs should insert freely into the slots. Gently tilt the DRAWER SIDES side to side until the tabs slip into the slots.



2

With the palm of your hand, tap the DRAWER BOTTOM down into the groove.



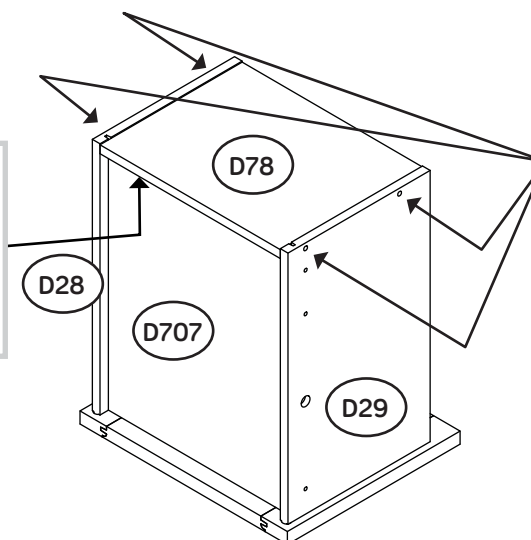
Be sure the DRAWER BOTTOM inserts into the DRAWER FRONT groove.

- ✚ Insert the LARGE DRAWER SIDES (D28 and D29) at an angle into the slot at each end of the LARGE DRAWER FRONT (W).

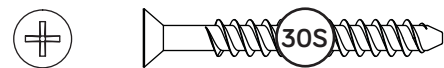
- ✚ Slide the LARGE DRAWER BOTTOM (D707) into the grooves in the LARGE DRAWER SIDES (D28 and D29) and LARGE DRAWER FRONT (W).

3

Be sure the DRAWER BOTTOM inserts into the DRAWER BACK groove.



Start each screw a few turns before completely tightening any of them.



BLACK 1-9/16" FLAT HEAD SCREW  
(8 used in this step)

- ✚ Fasten the LARGE DRAWER BACK (D78) to the LARGE DRAWER SIDES (D28 and D29). Use four BLACK 1-9/16" FLAT HEAD SCREWS (30S).

- ✚ NOTE: Be sure the LARGE DRAWER BOTTOM (D707) inserts into the groove of the LARGE DRAWER BACK (D78).

- ✚ Repeat this step for the other LARGE drawer.

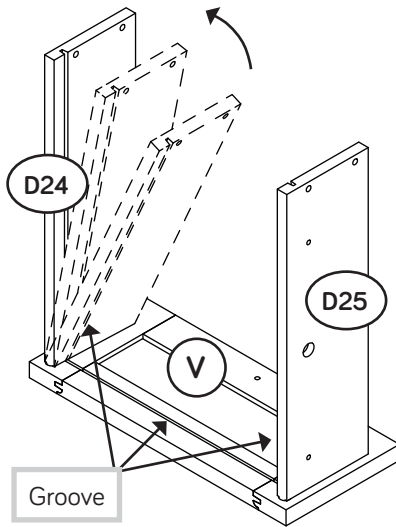
# Step 23

VIEW THE T-LOCK BOX VIDEO



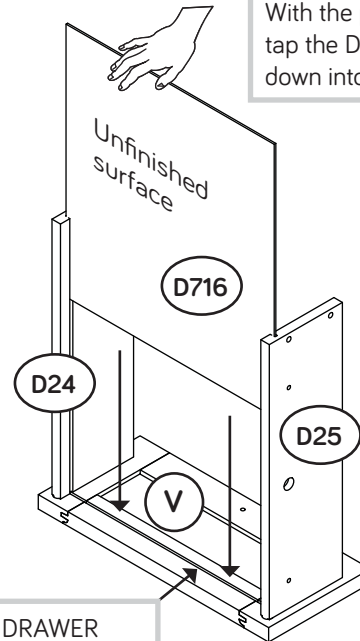
1

The tabs should insert freely into the slots. Gently tilt the DRAWER SIDES side to side until the tabs slip into the slots.



2

With the palm of your hand, tap the DRAWER BOTTOM down into the groove.



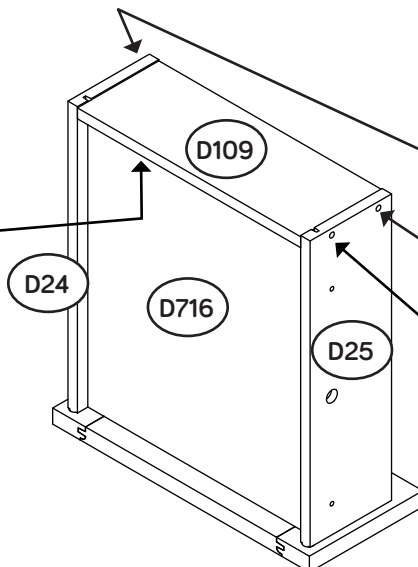
Be sure the DRAWER BOTTOM inserts into the DRAWER FRONT groove.

✚ Insert the SMALL DRAWER SIDES (D24 and D25) at an angle into the slot at each end of the SMALL DRAWER FRONT (V).

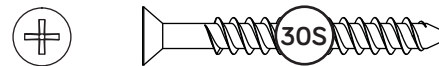
✚ Slide the SMALL DRAWER BOTTOM (D716) into the grooves in the SMALL DRAWER SIDES (D24 and D25) and SMALL DRAWER FRONT (V).

3

Be sure the DRAWER BOTTOM inserts into the DRAWER BACK groove.



Start each screw a few turns before completely tightening any of them.



BLACK 1-9/16" FLAT HEAD SCREW (8 used in this step)

NOTE: Do not use this hole in the SMALL drawers. This hole will be used in Step 25.

✚ NOTE: The SMALL drawers will only use two SCREWS per drawer. Refer to the diagram.

✚ Fasten the SMALL DRAWER BACK (D109) to the SMALL DRAWER SIDES (D24 and D25). Use two BLACK 1-9/16" FLAT HEAD SCREWS (30S).

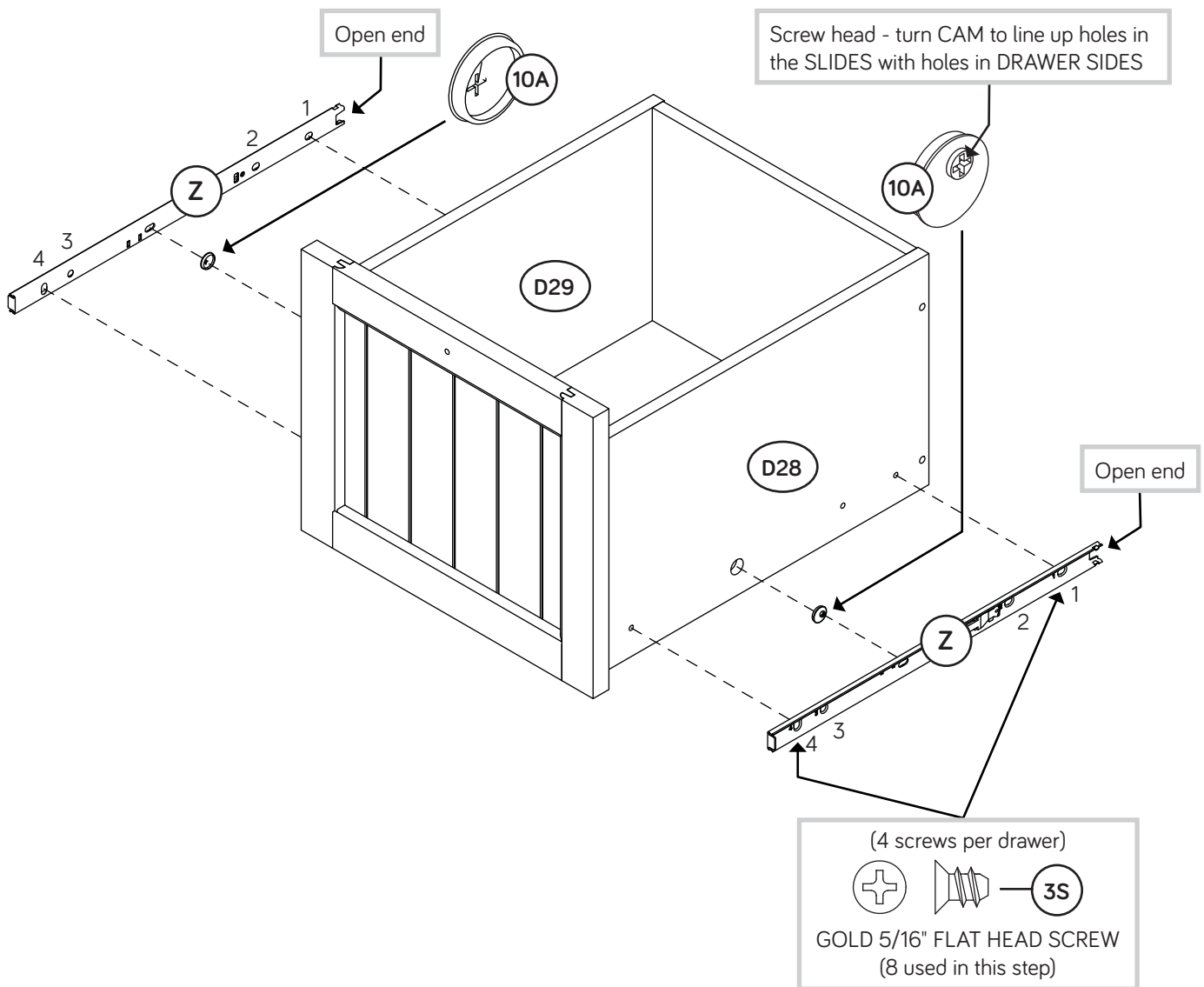
✚ NOTE: Be sure the SMALL DRAWER BOTTOM (D716) inserts into the groove of the SMALL DRAWER BACK (D109).

✚ Repeat this step for the other SMALL drawers.

# Step 24



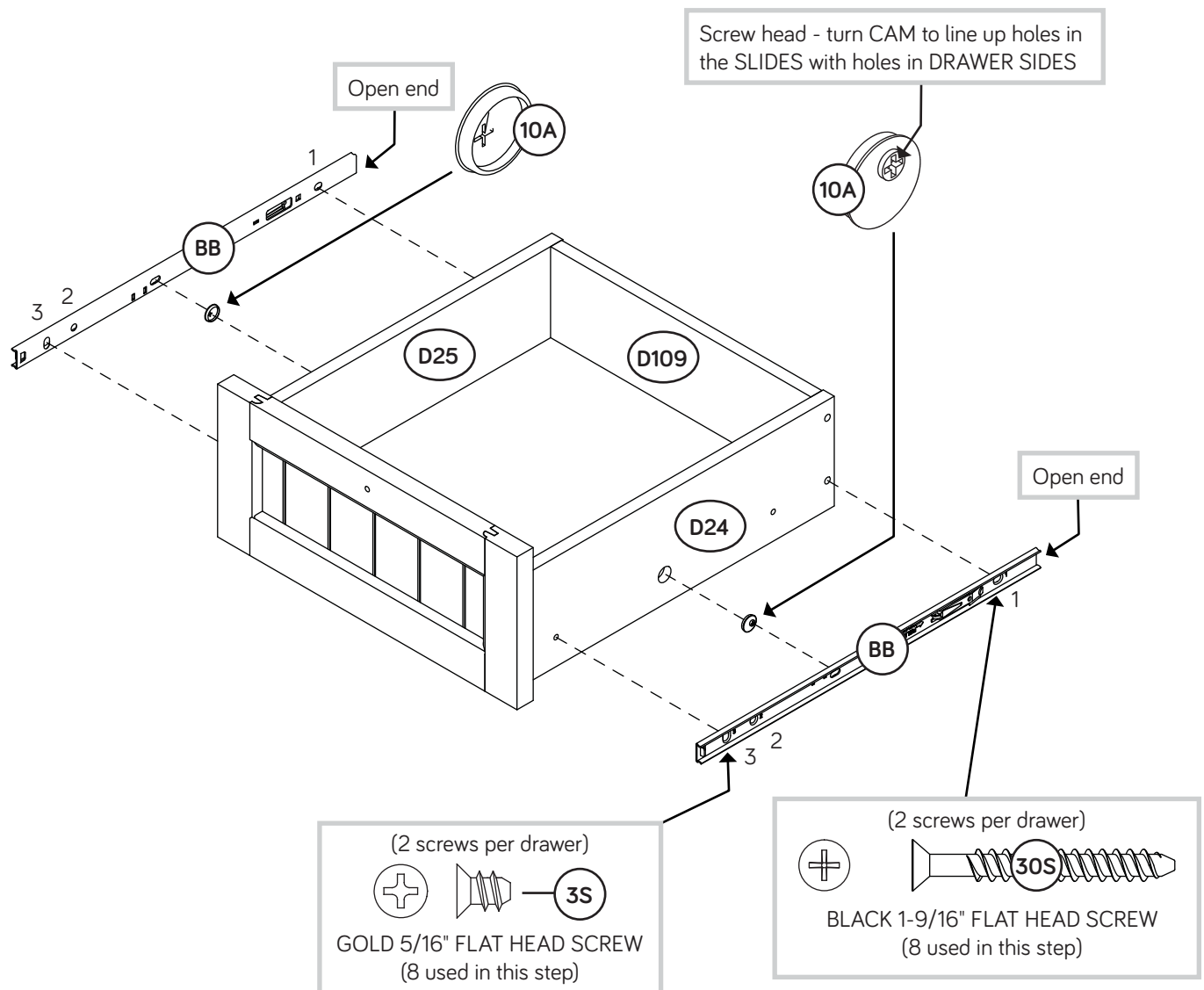
- ✚ Insert a SLIDE CAM (10A) into the LARGE DRAWER SIDES (D28 and D29).
- ✚ Fasten two WIDE EXTENSION SLIDES (Z) to the LARGE DRAWER SIDES (D28 and D29). Use four GOLD 5/16" FLAT HEAD SCREWS (3S) through holes #1 and #4.
- ✚ **NOTE:** The screw head in the CAM must be visible through the slotted hole in the SLIDE.
- ✚ Repeat this step for the other LARGE drawer.



# Step 25



- ✚ Insert a SLIDE CAM (10A) into the SMALL DRAWER SIDES (D24 and D25).
- ✚ Fasten two NARROW EXTENSION SLIDES (BB) to the SMALL DRAWER SIDES (D24 and D25).  
Use two BLACK 1-9/16" FLAT HEAD SCREWS (30S) through holes #1, through the SMALL DRAWER SIDES, and into the SMALL DRAWER BACK (D109). Use two GOLD 5/16" FLAT HEAD SCREWS (3S) through hole #3.
- ✚ NOTE: The screw head in the CAM must be visible through the slotted hole in the SLIDE.
- ✚ Repeat this step for the other SMALL drawers.

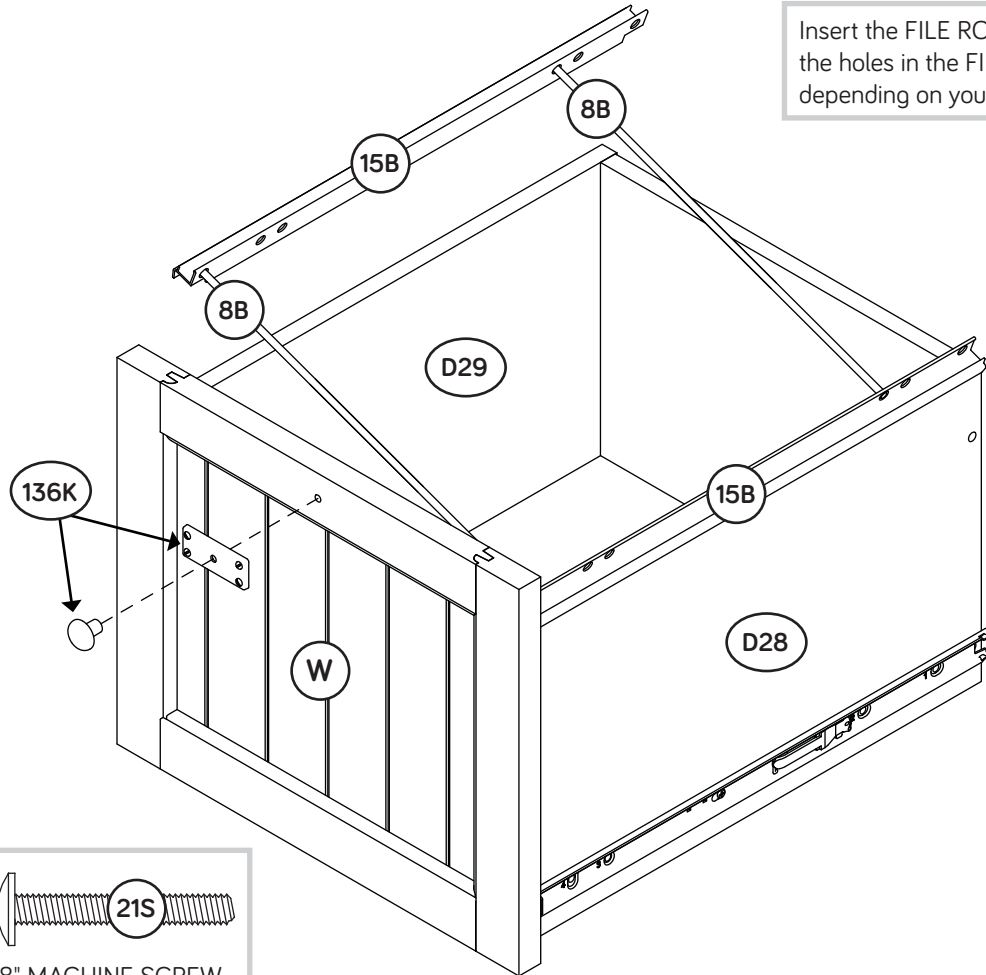


# Step 26

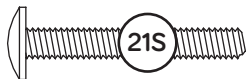
- ✚ Push a FILE GLIDE (15B) onto the LARGE DRAWER RIGHT SIDE (D28).
- ✚ Slide the FILE RODS (8B) into the FILE GLIDE (15B) on the LARGE DRAWER RIGHT SIDE (D28).
- ✚ Slide another FILE GLIDE (15B) onto the other end of the FILE RODS (8B), then press this FILE GLIDE over the LARGE DRAWER LEFT SIDE (D29).
- ✚ Fasten a KNOB SET (136K) to the LARGE DRAWER FRONT (W). Use one BLACK 1-1/8" MACHINE SCREW (21S).
- ✚ Repeat fastening a KNOB SET to all drawers.
- ✚ Insert the remaining FILE GLIDES (15B) and FILE RODS (8B) into the other LARGE DRAWER.



If you're doing this to help a friend, don't leave without a bite.



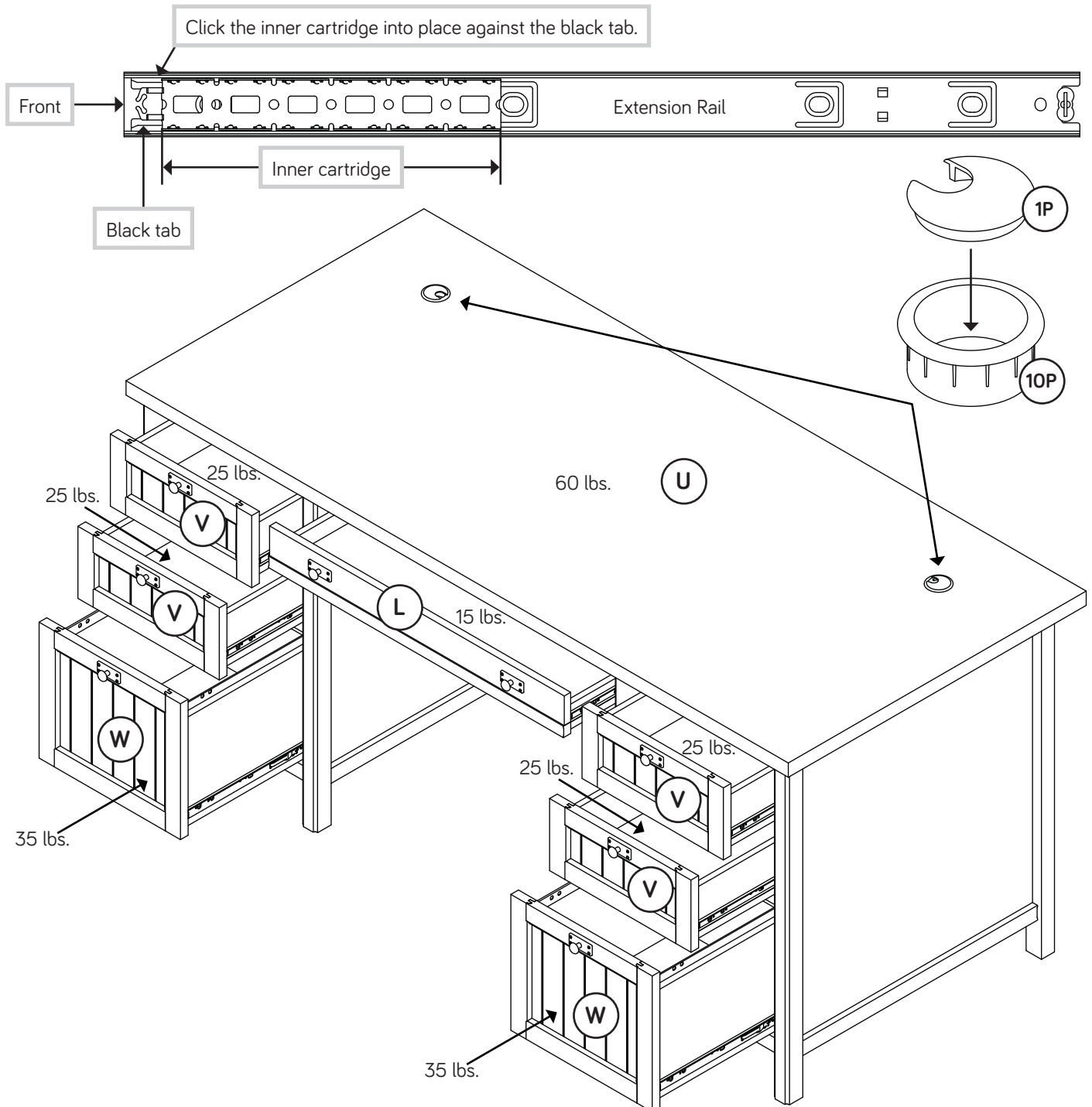
Insert the FILE RODS into the holes in the FILE GLIDES depending on your file sizes.



BLACK 1-1/8" MACHINE SCREW  
(6 used for the KNOB SETS)

# Step 27

- ✚ Carefully stand your unit upright.
- ✚ **NOTE:** Before inserting a drawer, be sure the INNER CARTRIDGE in the EXTENSION RAIL on your unit is all the way forward. The INNER CARTRIDGE should click into place against the BLACK TAB.
- ✚ To insert a drawer into your unit, line up the EXTENSION SLIDES on the drawer with the EXTENSION RAILS on the unit and push the drawer into the unit until the drawer is fully inserted. The drawer will push in hard until it is all the way in, then it will slide in and out easier.
- ✚ Insert the GROMMET CAPS (1P) and GROMMETS (10P) into the large holes in the TOP (U).



# Step 28

✚ To make adjustments to the SMALL DRAWERS, loosen SCREW #3 in the SLIDES a 1/4 turn, then turn the CAM clockwise or counter-clockwise. Notice how the drawer raises or lowers as you turn the CAM. The higher the screw in the oblong hole, the higher your drawer front will be. The lower the screw, the lower the drawer front. By adjusting the drawers this way, it will help the DRAWER FRONTS line up better when closed. Tighten the SCREW when finished with adjustments.

✚ NOTE: Loosen screw #4 to make adjustments to the LARGE DRAWERS.

✚ NOTE: Please read the back pages of the instruction booklet for important safety information.

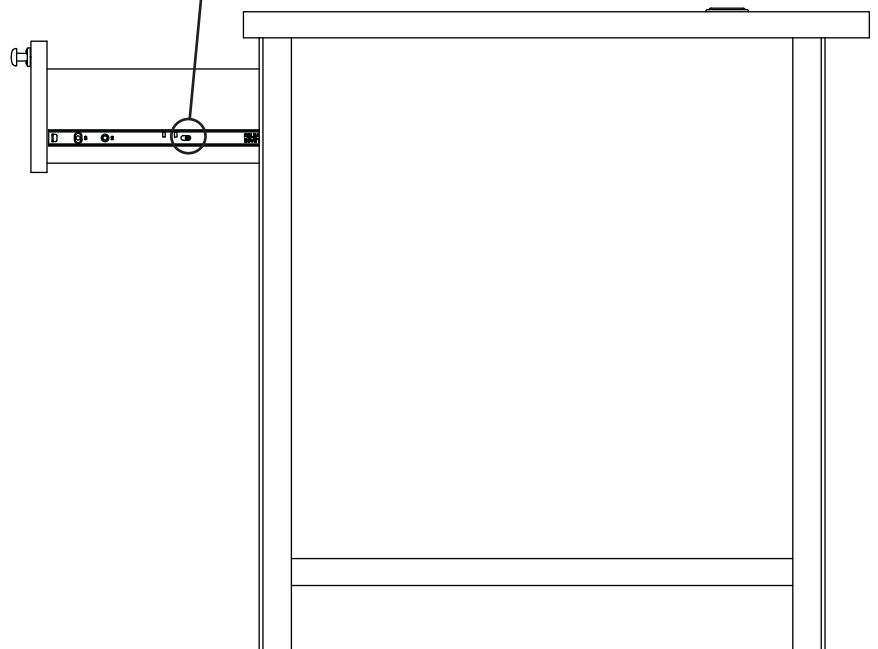
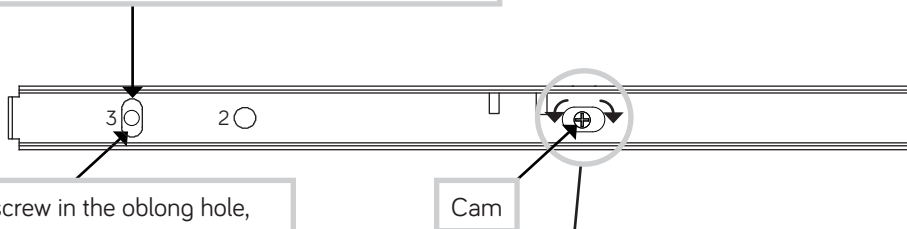
✚ This completes assembly. Clean with your favorite furniture polish or a damp cloth. Wipe dry.

★ And to celebrate, why not share your success story?



Loosen screw #3 a 1/4 turn, turn the cam a 1/4 turn maximum in both the clockwise and counter-clockwise directions to make adjustments, and then tighten screw #3.

The higher the screw in the oblong hole, the higher your drawer front will be. The lower the screw, the lower the drawer front.





Utilisez les instructions d'assemblage en français avec les schémas étape par étape du manuel d'instruction en anglais. Chaque étape en français correspond à la même étape en anglais. La pièce devant être attachée à l'élément est représentée en gris sur les schémas de chaque étape pour plus de précision. Comparez la "Liste de pièces" ci-dessous avec la "PART IDENTIFICATION" du manuel en anglais pour vous familiariser avec les pièces avant l'assemblage.

**REMARQUE :** CE MANUEL D'INSTRUCTIONS CONTIENT **D'IMPORTANTES** INFORMATIONS RELATIVES À LA SÉCURITÉ. À LIRE ET CONSERVER POUR TOUTE RÉFÉRENCE FUTURE.

### NOUS SOMMES LA POUR VOUS AIDER!

Nous faisons de notre mieux pour nous assurer que votre meuble arrive dans d'excellentes conditions. Nos représentants du service Clientèle sont aimables et prêts à vous aider au cas où une pièce aurait été endommagée ou manquerait (ou si vous aviez besoin d'aide pour l'assemblage). **NE RAMENEZ PAS LE MEUBLE AU MAGASIN.** Au Canada, composez ce numéro d'appel gratuit:

**1-800-523-3987**

**Du lundi au vendredi, de 9 heures du matin à  
5:30 heures du soir (horaire Côte Est)  
(sauf jours fériés)**

Si une pièce a besoin d'être remplacée, la pièce de remplacement sera envoyée dans les 48 heures. (Sauf week-ends et jours fériés)

A l'usage exclusif du Canada Noter la date d'achat de cet élément et conserver le livret pour future référence. Pour contacter Sauder en ce qui concerne cet élément, faire référence au numéro de lot et numéro de modèle en appelant notre numéro sans frais.

Lot n<sup>o</sup> : \_\_\_\_\_

Date de l'achat: \_\_\_\_\_

LISTE DE PIÈCES			LISTE DE PIÈCES		
REFERENCE	DESCRIPTION	QUANTITÉ	REFERENCE	DESCRIPTION	QUANTITÉ
A	EXTRÉMITÉ DROITE .....	1		(ENSEMBLE DE GLISSIÈRE ILLUSTRÉ À PART)	
B	EXTRÉMITÉ GAUCHE .....	1	Y	GLISSIÈRE D'EXTENSION LARGE .....	4
C	DESSOUS .....	2	Z	COULISSE D'EXTENSION LARGE .....	4
D	MONTANT DROIT .....	1		(ENSEMBLE DE GLISSIÈRE ILLUSTRÉ À PART)	
E	MONTANT GAUCHE .....	1	AA	GLISSIÈRE D'EXTENSION ÉTROITE .....	10
F	DOSSIER .....	2	BB	COULISSE D'EXTENSION ÉTROITE .....	10
G	VOILE DE FOND .....	1	10A	EXCENTRIQUE DE COULISSE .....	12
H	PIED AVANT DROIT .....	2	8B	TIGE DE DOSSIER .....	4
I	MOULURE D'EXTRÉMITÉ .....	4	15B	ARMATURE POUR DOSSIERS .....	4
J	MOULURE DE DESSOUS .....	2	1F	EXCENTRIQUE ESCAMOTABLE .....	34
K	MOULURE ARRIÈRE .....	2	8F	VIS D'EXCENTRIQUE .....	34
L	DEVANT DE TIROIR À CRAYONS .....	1	12F	FIXATION TWIST-LOCK® .....	22
M	MOULURE DE TIROIR À CRAYONS .....	1	15F	CHEVILLE EN BOIS .....	16
N	TABLETTE .....	1	136K	ENSEMBLE DE BOUTONS .....	8
O	DEVANT DE TABLETTE .....	1	54M	COLLE .....	1
P	PIED AVANT GAUCHE .....	2	1P	COUVERCLE DE PASSE-CÂBLES .....	2
Q	PIED ARRIÈRE DROIT .....	2	10P	PASSE-CÂBLES .....	2
R	PIED ARRIÈRE GAUCHE .....	2			
S	MOULURE DE VOILE DE FOND .....	2	3S	VIS TÊTE PLATE 8 mm DORÉE .....	48
T	BLOC D'EXTENSION .....	2	7S	VIS TÊTE PLATE 32 mm NOIRE .....	4
U	DESSUS .....	1	17S	VIS TÊTE LARGE 22 mm NOIRE .....	3
V	DEVANT DE PETIT TIROIR .....	4	21S	VIS À MÉTAUX 28 mm NOIRE .....	6
W	DEVANT DE GRAND TIROIR .....	2	30S	VIS TÊTE PLATE 40 mm NOIRE .....	28
B37	FOND DE TIROIR À CRAYONS .....	1	32S	VIS TÊTE PLATE 14 mm NOIRE .....	18
D24	CÔTÉ DROIT DE PETIT TIROIR .....	4	37S	VIS À MÉTAUX 22 mm NOIRE .....	2
D25	CÔTÉ GAUCHE DE PETIT TIROIR .....	4	113S	VIS TÊTE PLATE 49 mm NOIRE .....	10
D28	CÔTÉ DROIT DE GRAND TIROIR .....	2			
D29	CÔTÉ GAUCHE DE GRAND TIROIR .....	2			
D78	ARRIÈRE DE GRAND TIROIR .....	2			
D109	ARRIÈRE DE PETIT TIROIR .....	4			
D425	ARRIÈRE DE TIROIR À CRAYONS .....	1			
D427	CÔTÉ DROIT DE TIROIR À CRAYONS .....	1			
D428	CÔTÉ GAUCHE DE TIROIR À CRAYONS .....	1			
D506	DEVANT DE CAISSON DE TIROIR À CRAYONS .....	1			
D707	FOND DE GRAND TIROIR .....	2			
D716	FOND DE PETIT TIROIR .....	4			

## ÉTAPE 1

Ne pas serrer les FIXATIONS TWIST-LOCK® à cette étape.

Assembler l'élément sur un sol à moquette ou sur le carton vide pour éviter d'endommager l'élément ou le sol.

Pour commencer l'assemblage, enfoncer une FIXATION TWIST-LOCK® SAUDER (12F) dans les gros trous des EXTRÉMITÉS (A et B) et les MONTANTS (D et E).

Répéter cette étape pour les DESSOUS (C), le VOILE DE FOND (G) et la TABLETTE (N).

## ÉTAPE 2

Enfoncer trente et quatre EXCENTRIQUES ESCAMOTABLES (1F) dans les EXTRÉMITÉS (A et B), les MONTANTS (D et E), les ARRIÈRES (F) et le DEVANT DE TIROIR À CRAYONS (L).

## ÉTAPE 3

Faire tourner trente et quatre VIS D'EXCENTRIQUE (8F) dans les PIEDS (H, P, Q et R) et la MOULURE DE TIROIR À CRAYONS (M).

## ÉTAPE 4

Retourner les EXTRÉMITÉS (A et B), les MONTANTS (D et E) et les ARRIÈRES (F).

Faire tourner douze VIS TÊTE PLATE 14 mm NOIRES (32S) dans les EXTRÉMITÉS (A et B), les MONTANTS (D et E) et les ARRIÈRES (F) jusqu'à ce que l'épaulement des VIS repose sur les surfaces des EXTRÉMITÉS, MONTANTS et ARRIÈRES.

REMARQUE : Ne pas trop serrer les VIS.

Enfiler les MOULURES (I et K) sur les EXTRÉMITÉS (A et B), les MONTANTS (D et E) et les ARRIÈRES (F). Aligner la rainure des MOULURES sur les têtes des VIS dans les EXTRÉMITÉS, MONTANTS et ARRIÈRES.

REMARQUE : Si la MOULURE soulève au-dessus les VIS, l'enlever et l'enfiler de nouveau. Les MOULURES devraient être centrées sur les EXTRÉMITÉS, MONTANTS et ARRIÈRES.

## ÉTAPE 5

Faire tourner trois VIS TÊTE PLATE 14 mm NOIRES (32S) dans le VOILE DE FOND (G) jusqu'à ce que l'épaulement des VIS repose sur la surface du VOILE DE FOND.

REMARQUE : Ne pas trop serrer les VIS.

Enfiler une MOULURE DE VOILE DE FOND (S) sur le VOILE DE FOND (G). Aligner la rainure de la MOULURE sur les têtes des VIS dans le VOILE DE FOND.

## ÉTAPE 5 (SUITE)

REMARQUE : Si la MOULURE soulève au-dessus les VIS, l'enlever et l'enfiler de nouveau. La MOULURE devrait être centrée sur le VOILE DE FOND.

Retourner le VOILE DE FOND (G) et répéter cette étape pour l'autre surface du VOILE DE FOND.

## ÉTAPE 6

Attention: Examiner bien les pièces avant d'assembler. Il est difficile de séparer des pièces une fois encollées.

Tout d'abord, remplir les deux trous dans les EXTRÉMITÉS (A et B) de 1/4 à 1/2 pleins de COLLE (54M). Insérer ensuite deux CHEVILLES EN BOIS (15F) dans les trous. Nettoyer l'excès de COLLE.

REMARQUE : S'assurer de positionner les pièces exactement comme il l'est indiqué.

Maintenant, remplir les trous dans les PIEDS AVANT (H et P) de 1/4 à 1/2 pleins de COLLE (54M).

Fixer les PIEDS AVANT (H et P) aux EXTRÉMITÉS (A et B). Serrer six EXCENTRIQUES ESCAMOTABLES.

REMARQUE : S'assurer de bien insérer les CHEVILLES EN BOIS situées sur les EXTRÉMITÉS dans les PIEDS AVANT. Nettoyer l'excès de COLLE.

## ÉTAPE 7

Attention: Examiner bien les pièces avant d'assembler. Il est difficile de séparer des pièces une fois encollées.

Tout d'abord, remplir les deux trous dans les PIEDS ARRIÈRE (Q et R) de 1/4 à 1/2 pleins de COLLE (54M). Insérer ensuite deux CHEVILLES EN BOIS (15F) dans les trous. Nettoyer l'excès de COLLE.

Maintenant, remplir les trous dans les EXTRÉMITÉS (A et B) de 1/4 à 1/2 pleins de COLLE (54M).

Fixer les PIEDS ARRIÈRE (Q et R) aux EXTRÉMITÉS (A et B). Serrer six EXCENTRIQUES ESCAMOTABLES.

REMARQUE : S'assurer d'insérer les CHEVILLES EN BOIS des PIEDS ARRIÈRE dans les EXTRÉMITÉS. Nettoyer l'excès de COLLE.

## ÉTAPE 8

Attention: Examiner bien les pièces avant d'assembler. Il est difficile de séparer des pièces une fois encollées.

Tout d'abord, remplir les deux trous dans les MONTANTS (D et E) de 1/4 à 1/2 pleins de COLLE (54M). Insérer ensuite deux CHEVILLES EN BOIS (15F) dans les trous. Nettoyer l'excès de COLLE.

REMARQUE : S'assurer de positionner les pièces exactement comme il l'est indiqué.

Maintenant, remplir les trous dans les PIEDS ARRIÈRE (Q et R) de 1/4 à 1/2 pleins de COLLE (54M).

## ÉTAPE 8 (SUITE)

Fixer les PIEDS ARRIÈRE (Q et R) aux MONTANTS (D et E). Serrer six EXCENTRIQUES ESCAMOTABLES.

**REMARQUE** : S'assurer de bien insérer les CHEVILLES EN BOIS situées sur les MONTANTS dans les PIEDS ARRIÈRE. Nettoyer l'excès de COLLE.

## ÉTAPE 9

**Attention**: Examiner bien les pièces avant d'assembler. Il est difficile de séparer des pièces une fois encollées.

Tout d'abord, remplir les deux trous dans les PIEDS AVANT (H et P) de 1/4 à 1/2 pleins de COLLE (54M). Insérer ensuite deux CHEVILLES EN BOIS (15F) dans les trous. Nettoyer l'excès de COLLE.

Maintenant, remplir les trous dans les MONTANTS (D et E) de 1/4 à 1/2 pleins de COLLE (54M).

Fixer les PIEDS AVANT (P et H) aux MONTANTS (D et E). Serrer six EXCENTRIQUES ESCAMOTABLES.

**REMARQUE** : S'assurer d'insérer les CHEVILLES EN BOIS des PIEDS AVANT dans les MONTANTS. Nettoyer l'excès de COLLE.

## ÉTAPE 10

Séparer les COULISSES D'EXTENSION LARGE (Z) des GLISSIÈRES D'EXTENSION LARGE (Y) comme l'indique le schéma du haut ci-dessous. Faire attention car les pièces sont graissées.

Fixer les GLISSIÈRES D'EXTENSION LARGE (Y) aux EXTRÉMITÉS (A et B) et aux MONTANTS (D et E). Utiliser huit VIS TÊTE PLATE 8 mm DORÉES (3S) à travers les trous n° 1 et n° 3.

**REMARQUE** : Pour chaque GLISSIÈRE D'EXTENSION LARGE, faire tourner une VIS dans le trou indiqué dans le schéma agrandi. Ensuite, enfilez la cartouche interne de la GLISSIÈRE D'EXTENSION LARGE vers l'intérieur pour trouver l'autre trou qui est aligné sur le trou dans les EXTRÉMITÉS et les MONTANTS. Faire tourner une VIS dans ce trou.

**REMARQUE** : Les COULISSES D'EXTENSION LARGE seront utilisées ultérieurement pour les GRANDS TIROIRS.

## ÉTAPE 11

Séparer les COULISSES D'EXTENSION ÉTROITES (BB) des GLISSIÈRES D'EXTENSION ÉTROITES (AA) comme l'indique le schéma du haut. Faire attention car les pièces sont graissées.

Fixer huit GLISSIÈRES D'EXTENSION ÉTROITES (AA) aux EXTRÉMITÉS (A et B) et aux MONTANTS (D et E). Utiliser seize VIS TÊTE PLATE 8 mm DORÉES (3S) à travers les trous n° 1 et n° 3.

**REMARQUE** : Pour chaque GLISSIÈRE D'EXTENSION ÉTROITE, faire tourner une VIS dans le trou indiqué dans le schéma agrandi. Ensuite, enfilez la cartouche interne de la GLISSIÈRE D'EXTENSION ÉTROITE vers l'intérieur pour trouver l'autre trou qui est aligné sur le trou dans les EXTRÉMITÉS et les MONTANTS. Faire tourner une VIS dans ce trou.

## ÉTAPE 11 (SUITE)

**REMARQUE** : Les COULISSES D'EXTENSION ÉTROITES seront utilisées ultérieurement pour les PETITS TIROIRS et le TIROIR À CRAYONS.

## ÉTAPE 12

Retourner les MONTANTS (D et E).

Fixer les BLOCS D'EXTENSION (T) aux MONTANTS (D et E). Utiliser quatre VIS TÊTE PLATE 32 mm NOIRES (7S).

Fixer les autres deux GLISSIÈRES D'EXTENSION ÉTROITES (AA) aux MONTANTS (D et E). Utiliser quatre VIS TÊTE PLATE 8 mm DORÉES (3S) à travers les trous n° 1 et n° 3.

**REMARQUE** : Pour chaque GLISSIÈRE D'EXTENSION ÉTROITE, faire tourner une VIS dans le trou indiqué dans le schéma agrandi. Ensuite, enfilez la cartouche interne de la GLISSIÈRE D'EXTENSION ÉTROITE vers l'intérieur pour trouver l'autre trou qui est aligné sur le trou dans les EXTRÉMITÉS et les MONTANTS. Faire tourner une VIS dans ce trou.

## ÉTAPE 13

Fixer les DESSOUS (C) aux EXTRÉMITÉS (A et B). Serrer quatre FIXATIONS TWIST-LOCK®.

Enfiler les MOULURES DE DESSOUS\* (J) sur les chants crantés des DESSOUS (C).

\* Brevet État Unis n° 5,499,886

**Utilisation de la FIXATION TWIST-LOCK® SAUDER**

1. Insérer l'extrémité fileté de la FIXATION dans le trou de la pièce attenante.

**REMARQUE** : L'extrémité fileté de la FIXATION doit rester complètement insérée dans le trou de la pièce attenante lorsque l'on bloque la FIXATION.

2. Bien serrer la FIXATION à l'aide d'un tournevis Phillips.

## ÉTAPE 14

Fixer les ARRIÈRES (F) aux PIEDS ARRIÈRE (Q et R) aux EXTRÉMITÉS (A et B). Serrer quatre EXCENTRIQUES ESCAMOTABLES.

## ÉTAPE 15

Fixer le MONTANT DROIT (D) au DESSOUS (C) et à l'ARRIÈRE (F). Serrer deux EXCENTRIQUES ESCAMOTABLES et deux FIXATIONS TWIST-LOCK®.

Fixer le MONTANT GAUCHE (E) au DESSOUS (C) et à l'ARRIÈRE (F). Serrer deux EXCENTRIQUES ESCAMOTABLES et deux FIXATIONS TWIST-LOCK®.

## ÉTAPE 16

Fixer le VOILE DE FOND (G) au DESSUS (U). Serrer deux FIXATIONS TWIST-LOCK®.

## ÉTAPE 17

Attention: Examiner bien les pièces avant d'assembler. Il est difficile de séparer des pièces une fois encollées.

REMARQUE : Avant de commencer cette étape, séparer les VIS TÊTE PLATE 40 mm NOIRES (30S) des VIS TÊTE PLATE 49 mm NOIRES (113S). Ne pas confondre ces VIS.

REMARQUE : Faire appel à une autre personne pour cette étape.

Tout d'abord, remplir les huit petits trous dans le DESSUS (U) de 1/4 à 1/2 pleins de COLLE (54M). Insérer ensuite huit CHEVILLES EN BOIS (15F) dans les trous. Nettoyer l'excès de COLLE.

Maintenant, remplir les trous dans les PIEDS (H, P, Q et R) de 1/4 à 1/2 pleins de COLLE (54M).

Fixer les EXTRÉMITÉS (A et B) et les MONTANTS (D et E) au DESSUS (U). Serrer huit FIXATIONS TWIST-LOCK®.

REMARQUE : S'assurer d'insérer les CHEVILLES EN BOIS du DESSUS dans les PIEDS. Nettoyer l'excès de COLLE.

Fixer les MONTANTS (D et E) au VOILE DE FOND (G). Utiliser quatre VIS TÊTE PLATE 49 mm NOIRES (113S).

## ÉTAPE 18

Fixer la TABLETTE (N) au VOILE DE FOND (G). Serrer deux FIXATIONS TWIST-LOCK®.

Fixer la TABLETTE (N) aux MONTANTS (D et E). Utiliser quatre VIS TÊTE PLATE 49 mm NOIRES (113S).

Fixer le DEVANT DE TABLETTE (O) à la TABLETTE (N). Serrer deux FIXATIONS TWIST-LOCK®.

Fixer le DEVANT DE TABLETTE (O) aux MONTANTS (D et E). Utiliser deux VIS TÊTE PLATE 49 mm NOIRES (113S).

## ÉTAPE 19

1 Fixer les CÔTÉS DE TIROIR À CRAYONS (D427 et D428) à l'ARRIÈRE DE TIROIR À CRAYONS (D425). Utiliser deux VIS TÊTE PLATE 40 mm NOIRES (30S).

2 Enfiler le FOND DE TIROIR À CRAYONS (B37) dans les rainures des CÔTÉS DE TIROIR À CRAYONS (D427 et D428) et de l'ARRIÈRE DE TIROIR À CRAYONS (D425).

3 Fixer le DEVANT DE CAISSON DE TIROIR À CRAYONS (D506) aux CÔTÉS DE TIROIR À CRAYONS (D427 et D428). Utiliser deux VIS TÊTE PLATE 40 mm NOIRES (30S).

## ÉTAPE 20

Fixer le DEVANT DE TIROIR À CRAYONS (L) à la MOULURE DE TIROIR À CRAYONS (M). Serrer deux EXCENTRIQUES ESCAMOTABLES.

Fixer deux ENSEMBLES DE BOUTONS (136K) au DEVANT DE TIROIR À CRAYONS (L). Utiliser deux VIS À MÉTAUX 22 mm NOIRES (37S).

## ÉTAPE 21

Fixer deux COULISSES D'EXTENSION ÉTROITES (BB) aux CÔTÉS DE TIROIR À CRAYONS (D427 et D428). Utiliser quatre VIS TÊTE PLATE 8 mm DORÉES (3S) à travers les trous n° 1 et n° 3.

Fixer le DEVANT DE TIROIR À CRAYONS (L) au DEVANT DE CAISSON DE TIROIR À CRAYONS (D506). Utiliser trois VIS TÊTE LARGE 22 mm NOIRES (17S).

## ÉTAPE 22

1 Insérer les CÔTÉS DE GRAND TIROIR (D28 et D29) en biseau dans la fente dans chaque extrémité du DEVANT DE GRAND TIROIR (W).

2 Enfiler le FOND DE GRAND TIROIR (D707) dans les rainures des CÔTÉS DE GRAND TIROIR (D28 et D29) et du DEVANT DE GRAND TIROIR (W).

3 Fixer l'ARRIÈRE DE GRAND TIROIR (D78) aux CÔTÉS DE GRAND TIROIR (D28 et D29). Utiliser quatre VIS TÊTE PLATE 40 mm NOIRES (30S).

REMARQUE : S'assurer que le FOND DE GRAND TIROIR (D707) s'encastre dans la rainure de l'ARRIÈRE DE GRAND TIROIR (D78).

Répéter cette étape pour l'autre GRAND tiroir.

## ÉTAPE 23

1 Insérer les CÔTÉS DE PETIT TIROIR (D24 et D25) en biseau dans la fente dans chaque extrémité du DEVANT DE PETIT TIROIR (V).

2 Enfiler le FOND DE PETIT TIROIR (D716) dans les rainures des CÔTÉS DE PETIT TIROIR (D24 et D25) et du DEVANT DE PETIT TIROIR (V).

3 REMARQUE : Les PETITS tiroirs n'utiliseront que deux VIS par tiroir. Consulter le schéma.

Fixer l'ARRIÈRE DE PETIT TIROIR (D109) aux CÔTÉS DE PETIT TIROIR (D24 et D25). Utiliser deux VIS TÊTE PLATE 40 mm NOIRES (30S).

REMARQUE : S'assurer que le FOND DE PETIT TIROIR (D716) s'encastre dans la rainure de l'ARRIÈRE DE PETIT TIROIR (D109).

Répéter cette étape pour les autres PETITS tiroirs.

## ÉTAPE 24

Insérer une EXCENTRIQUE DE COULISSE (10A) dans les CÔTÉS DE GRAND TIROIR (D28 et D29).

Fixer deux COULISSES D'EXTENSION LARGES (Z) aux CÔTÉS DE GRAND TIROIR (D28 et D29). Utiliser quatre VIS TÊTE PLATE 8 mm DORÉES (3S) à travers les trous n° 1 et n° 4.

**REMARQUE** : La tête de vis dans l'EXCENTRIQUE doit être visible à travers le trou fendu dans la COULISSE.

Répéter cette étape pour l'autre GRAND tiroir.

## ÉTAPE 25

Insérer une EXCENTRIQUE DE COULISSE (10A) dans les CÔTÉS DE PETIT TIROIR (D24 et D25).

Fixer deux COULISSES D'EXTENSION ÉTROITES (BB) aux CÔTÉS DE PETIT TIROIR (D24 et D25). Utiliser deux VIS TÊTE PLATE 40 mm NOIRES (30S) à travers le trou n° 1, à travers les CÔTÉS DE PETIT TIROIR, et dans l'ARRIÈRE DE PETIT TIROIR (D109). Utiliser deux VIS TÊTE PLATE 8 mm DORÉES (3S) à travers les trous n° 3.

**REMARQUE** : La tête de vis dans l'EXCENTRIQUE doit être visible à travers le trou fendu dans la COULISSE.

Répéter cette étape pour les autres PETITS tiroirs.

## ÉTAPE 26

Enfoncer une ARMATURE POUR DOSSIERS (15B) sur le CÔTÉ DROIT DE GRAND TIROIR (D28).

Enfiler les GUIDES POUR DOSSIERS (8B) dans l'ARMATURE POUR DOSSIERS (15B) située sur le CÔTÉ DROIT DE GRAND TIROIR (D28).

Enfiler une autre ARMATURE POUR DOSSIERS (15B) sur l'autre extrémité des GUIDES POUR DOSSIERS (8B) et appuyer cette ARMATURE POUR DOSSIERS sur le CÔTÉ GAUCHE DE GRAND TIROIR (D29).

Fixer un ENSEMBLE DE BOUTONS (136K) sur le DEVANT DE GRAND TIROIR (W). Utiliser une VIS À MÉTAUX 28 mm NOIRE (21S).

Répéter la fixation d'un ENSEMBLE DE BOUTONS sur tous les tiroirs.

Insérer les autres ARMATURES POUR DOSSIERS (15B) et les GUIDES POUR DOSSIERS (8B) dans l'autre GRAND TIROIR.

## ÉTAPE 27

Relever, avec précaution, l'élément dans sa position verticale.

**REMARQUE** : Avant d'insérer un tiroir, s'assurer la CARTOUCHE INTERNE de la GLISSIÈRE D'EXTENSION de l'unité est complètement vers l'avant. La CARTOUCHE INTERNE doit cliquer en place contre la PATTE NOIRE.

Pour insérer un tiroir dans l'élément, aligner les COULISSES D'EXTENSION du tiroir sur les GLISSIÈRES D'EXTENSION de l'élément et enfoncer le tiroir dans l'élément jusqu'à ce que le tiroir soit complètement inséré. Le tiroir offrira une certaine résistance jusqu'à ce qu'il soit complètement inséré dans l'élément, il glissera ensuite sans difficulté.

Insérer les COUVERCLES DE PASSE-CÂBLES (1P) et PASSE-CÂBLES (10P) dans les gros trous du DESSUS (U).

## ÉTAPE 28

Pour ajuster les PETITS TIROIRS, desserrer la VIS n° 3 dans les COULISSES un quart de tour et tourner ensuite la CAME dans le sens des aiguilles d'une montre ou dans le sens contraire. Noter que le tiroir monte ou descend lorsque l'on tourne la CAME. Plus la vis dans le trou oblong est haute, plus le devant de tiroir sera haut. Plus la vis est basse, plus le devant de tiroir sera bas. Ajuster les tiroirs de cette manière permet aux DEVANTS DE TIROIR d'être mieux alignés une fois fermés. Resserrer la VIS après d'avoir ajusté.

**REMARQUE** : Pour ajuster les GRANDS TIROIRS desserrer la VIS n° 4.

**REMARQUE** : Prière de lire les informations importantes sur la sécurité figurant sur les pages arrière du manuel d'instructions.

Ceci complète l'assemblage. Nettoyer à l'aide d'une encaustique pour meubles ou d'un chiffon humide. Essuyer.

Use estas instrucciones de ensamblaje en español junto con las figuras paso-a-paso provistas en el folleto inglés. Cada paso en español corresponde al mismo paso en inglés. Se destacan las figuras de cada paso con una tonalidad oscura para mostrar precisamente cual parte se debe montar a la unidad. Compare la "Lista de Part" abajo con la "Part Identification" en el folleto en inglés para familiarizarse con Las partes de ensamblaje.

**NOTA:** ESTE FOLLETO DE INSTRUCCIONES CONTIENE INFORMACIÓN **IMPORTANTE** SOBRE LA SEGURIDAD. POR FAVOR LEA Y GUÁRDELO PARA REFERENCIA EN EL FUTURO.

**ESTAMOS AQUI PARA AYUDAR!**

Tratamos de asegurar que su mueble llega en condición excelente. Nuestros representantes de Servicio al Cliente son amables y listos para ayudarle con servicio rápido y eficiente si una parte está defectuosa o ausente (o si necesita ayuda con el ensamblaje). **NO DEVUELVA LA UNIDAD A LA TIENDA.** Llame este número sin cargo:

**1-800-523-3987**

**Lunes a viernes, 9:00 a.m. - 5:30 p.m.**

**Hora oficial del Este  
(excepto días festivos)**

Si requiere un repuesto de una parte, será enviado dentro de 48 horas (excepto los fines de semana y días festivos)

A l'usage exclusif du Canada Noter la date d'achat de cet élément et conserver le livret pour future référence. Pour contacter Sauder en ce qui concerne cet élément, faire référence au numéro de lot et numéro de modèle en appelant notre numéro sans frais.

Lot n° : \_\_\_\_\_

Date de l'achat: \_\_\_\_\_

**LISTA DE PARTES**

ITEM	DESCRIPCIÓN	CANTIDAD
A	EXTREMO DERECHO.....	1
B	EXTREMO IZQUIERDO.....	1
C	FONDO.....	2
D	PARAL DERECHO.....	1
E	PARAL IZQUIERDO.....	1
F	RESPALDO.....	2
G	VELO DE FONDO.....	1
H	PATA DELANTERA DERECHA.....	2
I	MOLDURA DE EXTREMO.....	4
J	MOLDURA DE FONDO.....	2
K	MOLDURA POSTERIOR.....	2
L	CARA DE CAJÓN PARA LÁPICES.....	1
M	MOLDURA DE CAJÓN PARA LÁPICES.....	1
N	ESTANTE.....	1
O	CARA DE ESTANTE.....	1
P	PATA DELANTERA IZQUIERDA.....	2
Q	PATA POSTERIOR DERECHA.....	2
R	PATA POSTERIOR IZQUIERDA.....	2
S	MOLDURA DE VELO DE FONDO.....	2
T	BLOQUE DE EXTENSIÓN.....	2
U	PANEL SUPERIOR.....	1
V	CARA DE CAJÓN PEQUEÑO.....	4
W	CARA DE CAJÓN GRANDE.....	2
B37	FONDO DE CAJÓN PARA LÁPICES.....	1
D24	LADO DERECHO DE CAJÓN PEQUEÑO.....	4
D25	LADO IZQUIERDO DE CAJÓN PEQUEÑO.....	4
D28	LADO DERECHO DE CAJÓN GRANDE.....	2
D29	LADO IZQUIERDO DE CAJÓN GRANDE.....	2
D78	DORSO DE CAJÓN GRANDE.....	2
D109	DORSO DE CAJÓN PEQUEÑO.....	4
D425	DORSO DE CAJÓN PARA LÁPICES.....	1
D427	LADO DERECHO DE CAJÓN PARA LÁPICES.....	1
D428	LADO IZQUIERDO DE CAJÓN PARA LÁPICES.....	1
D506	FRENTE DE CAJÓN PARA LÁPICES.....	1
D707	FONDO DE CAJÓN GRANDE.....	2
D716	FONDO DE CAJÓN PEQUEÑO.....	4

**LISTA DE PARTES**

ITEM	DESCRIPCIÓN	CANTIDAD
(JUEGO DE EXTENSIÓN SE MUESTRA POR SEPARADO)		
Y	RIEL DE EXTENSIÓN ANCHO.....	4
Z	CORREDERA DE EXTENSIÓN ANCHA.....	4
(JUEGO DE EXTENSIÓN SE MUESTRA POR SEPARADO)		
AA	RIEL DE EXTENSIÓN ESTRECHO.....	10
BB	CORREDERA DE EXTENSIÓN ESTRECHA.....	10
10A	EXCÉNTRICO DE CORREDERA.....	12
8B	VARILLA DE ARCHIVERO.....	4
15B	CORRIMIENTO DE ARCHIVERO.....	4
1F	EXCÉNTRICO ESCONDIDO.....	34
8F	BIELA DE EXCÉNTRICO.....	34
12F	SUJETADOR TWIST-LOCK®.....	22
15F	PASADOR DE MADERA.....	16
136K	JUEGO DE PERILLAS.....	8
54M	PEGAMENTO.....	1
1P	CUBIERTA DE OJAL.....	2
10P	OJAL.....	2
3S	TORNILLO DORADO DE CABEZA PERDIDA de 8 mm.....	48
7S	TORNILLO NEGRO DE CABEZA PERDIDA de 32 mm.....	4
17S	TORNILLO NEGRO DE CABEZA GRANDE de 22 mm.....	3
21S	TORNILLO NEGRO PARA METAL de 28 mm.....	6
30S	TORNILLO NEGRO DE CABEZA PERDIDA de 40 mm.....	28
32S	TORNILLO NEGRO DE CABEZA PERDIDA de 14 mm.....	18
37S	TORNILLO NEGRO PARA METAL de 22 mm.....	2
113S	TORNILLO NEGRO DE CABEZA PERDIDA de 49 mm.....	10

## PASO 1

No apriete los SUJETADORES TWIST-LOCK® en este paso.

Ensamble la unidad sobre un piso alfombrado o sobre el cartón vacío para evitar rayar la unidad o el piso.

Para comenzar el ensamblaje, empuje un SUJETADOR TWIST-LOCK® SAUDER (12F) en los agujeros grandes de los EXTREMOS (A y B) y de los PARALES (D y E).

Repita este paso para los FONDOS (C), el VELO DE FONDO (G) y el ESTANTE (H).

## PASO 2

Empuje treinta y cuatro EXCÉNTRICOS ESCONDIDOS (1F) en los EXTREMOS (A y B), los PARALES (D y E), los DORSOS (F) y la CARA DE CAJÓN PARA LÁPICES (L).

## PASO 3

Atornille treinta y cuatro BIELAS DE EXCÉNTRICO (8F) dentro de las PATAS (H, P, Q y R) y de la MOLDURA DE CAJÓN PARA LÁPICES (M).

## PASO 4

Voltee los EXTREMOS (A y B), los PARALES (D y E) y los DORSOS (F).

Atornille doce TORNILLOS NEGROS DE CABEZA PERDIDA de 14 mm (32S) dentro de los EXTREMOS (A y B), los PARALES (D y E) y los DORSOS (F) hasta que el resalto de los TORNILLOS repose sobre las superficies de los EXTREMOS, PARALES y de los DORSOS.

**NOTA:** No apriete los TORNILLOS en exceso.

Deslice las MOLDURAS (I y K) sobre los EXTREMOS (A y B), los PARALES (D y C) y los DORSOS (F). Alinee las ranuras de las MOLDURAS sobre las cabezas de los TORNILLOS en los EXTREMOS, los PARALES y los DORSOS.

**NOTA:** Si la MOLDURA se levanta de los TORNILLOS, retírela y deslícela sobre la parte otra vez. Las MOLDURAS deben centrarse sobre los EXTREMOS, los PARALES y los DORSOS.

## PASO 5

Atornille tres TORNILLOS NEGROS DE CABEZA PERDIDA de 14 mm (32S) dentro del VELO DE FONDO (G) hasta que el resalto de los TORNILLOS repose sobre la superficie del VELO DE FONDO.

**NOTA:** No apriete los TORNILLOS en exceso.

Deslice la MOLDURA DE VELO DE FONDO (S) sobre el VELO DE FONDO (G). Alinee la ranura de la MOLDURA sobre la cabeza de los TORNILLOS del VELO DE FONDO.

**NOTA:** Si la MOLDURA se levanta de los TORNILLOS, retírela y deslícela sobre la parte otra vez. La MOLDURA debe centrarse sobre el VELO DE FONDO.

Voltee el VELO DE FONDO (G) y repita este paso para la otra superficie del VELO DE FONDO.

## PASO 6

**Precaución:** Revise las partes cuidadosamente antes de ensamblar. La separación de las piezas ya pegadas es muy difícil.

Primero, llene los dos agujeros de los EXTREMOS (A y B) hasta 1/4 a 1/2 con PEGAMENTO (54M). A continuación, inserte dos PASADORES DE MADERA (15F) dentro de los agujeros. Quite el exceso de PEGAMENTO.

**NOTA:** Asegúrese de que las piezas están dispuestas exactamente como se muestra.

Ahora, llene los agujeros de las PATAS DELANTERAS (H y P) hasta 1/4 a 1/2 con PEGAMENTO (54M).

Fije las PATAS DELANTERAS (H y P) a los EXTREMOS (A y B). Apriete seis EXCÉNTRICOS ESCONDIDOS.

**NOTA:** Asegúrese de que los PASADORES DE MADERA sujetos a los EXTREMOS se inserten en las PATAS DELANTERAS. Quite el exceso de PEGAMENTO.

## PASO 7

**Precaución:** Revise las partes cuidadosamente antes de ensamblar. La separación de las piezas ya pegadas es muy difícil.

Primero, llene los dos agujeros de las PATAS POSTERIORES (Q y R) hasta 1/4 a 1/2 con PEGAMENTO (54M). A continuación, inserte dos PASADORES DE MADERA (15F) dentro de los agujeros. Quite el exceso de PEGAMENTO.

Ahora, llene los agujeros de los EXTREMOS (A y B) hasta 1/4 a 1/2 con PEGAMENTO (54M).

Fije las PATAS POSTERIORES (Q y R) a los EXTREMOS (A y B). Apriete seis EXCÉNTRICOS ESCONDIDOS.

**NOTA:** Asegúrese de que los PASADORES DE MADERA de las PATAS POSTERIORES se inserten en los EXTREMOS. Quite el exceso de PEGAMENTO.

## PASO 8

**Precaución:** Revise las partes cuidadosamente antes de ensamblar. La separación de las piezas ya pegadas es muy difícil.

Primero, llene los dos agujeros de los PARALES (D y E) hasta 1/4 a 1/2 con PEGAMENTO (54M). A continuación, inserte dos PASADORES DE MADERA (15F) dentro de los agujeros. Quite el exceso de PEGAMENTO.

**NOTA:** Asegúrese de que las piezas están dispuestas exactamente como se muestra.

Ahora, llene los agujeros de las PATAS POSTERIORES (Q y R) hasta 1/4 a 1/2 con PEGAMENTO (54M).

Fije las PATAS POSTERIORES (Q y R) a los PARALES (D y E). Apriete seis EXCÉNTRICOS ESCONDIDOS.

**NOTA:** Asegúrese de que los PASADORES DE MADERA sujetos a los PARALES se inserten en las PATAS POSTERIORES. Quite el exceso de PEGAMENTO.

## PASO 9

**Precaución:** Revise las partes cuidadosamente antes de ensamblar. La separación de las piezas ya pegadas es muy difícil.

Primero, llene los dos agujeros de las PATAS DELANTERAS (H y P) hasta 1/4 a 1/2 con PEGAMENTO (54M). A continuación, inserte dos PASADORES DE MADERA (15F) dentro de los agujeros. Quite el exceso de PEGAMENTO.

Primero, llene los agujeros de los PARALES (D y E) hasta 1/4 a 1/2 con PEGAMENTO (54M).

Fije las PATAS DELANTERAS (P y H) a los PARALES (D y E). Apriete seis EXCÉNTRICOS ESCONDIDOS.

**NOTA:** Asegúrese de que los PASADORES DE MADERA de las PATAS DELANTERAS se inserten en los PARALES. Quite el exceso de PEGAMENTO.

## PASO 10

Separe las CORREDERAS DE EXTENSIÓN ANCHAS (Z) de los RIELES DE EXTENSIÓN ANCHOS (Y) como se muestra en el diagrama superior mas abajo. Prepárese, las piezas son grasientas.

Fije los RIELES DE EXTENSIÓN ANCHOS (Y) a los EXTREMOS (A y B) y a los PARALES (D y E). Utilice ocho TORNILLOS DORADOS DE CABEZA PERDIDA de 8 mm (3S) a través de los agujeros No. 1 y No. 3.

**NOTA:** Para cada RIEL DE EXTENSIÓN ANCHO, atornille un TORNILLO dentro del agujero indicado en el diagrama ampliado. A continuación deslice el cartucho interno del RIEL DE EXTENSIÓN ANCHO hacia el interior para encontrar el otro agujero que se alinea con el agujero de los EXTREMOS y los PARALES. Atornille un TORNILLO dentro de este agujero.

**NOTA:** Las CORREDERAS DE EXTENSIÓN ANCHAS se utilizarán más tarde para los CAJONES GRANDES.

## PASO 11

Separe las CORREDERAS DE EXTENSIÓN ESTRECHAS (BB) de los RIELES DE EXTENSIÓN ESTRECHOS (AA) como se muestra en el diagrama superior mas abajo. Prepárese, las piezas son grasientas.

Fije ocho RIELES DE EXTENSIÓN ESTRECHOS (AA) a los EXTREMOS (A y B) y a los PARALES (D y E). Utilice dieciséis TORNILLOS DORADOS DE CABEZA PERDIDA de 8 mm (3S) a través de los agujeros No. 1 y No. 3.

**NOTA:** Para cada RIEL DE EXTENSIÓN ESTRECHO, atornille un TORNILLO dentro del agujero indicado en el diagrama ampliado. A continuación deslice el cartucho interno del RIEL DE EXTENSIÓN ESTRECHO hacia el interior para encontrar el otro agujero que se alinea con el agujero de los EXTREMOS y los PARALES. Atornille un TORNILLO dentro de este agujero.

**NOTA:** Las CORREDERAS DE EXTENSIÓN ESTRECHAS se utilizarán más tarde para los CAJONES PEQUEÑOS y el CAJÓN PARA LÁPICES.

## PASO 12

Vuelva los PARALES (D y E) al revés.

Fije los BLOQUES DE EXTENSIÓN (T) a los PARALES (D y E). Utilice cuatro TORNILLOS NEGROS DE CABEZA PERDIDA de 32 mm (7S).

Fije los dos restantes RIELES DE EXTENSIÓN ESTRECHOS (AA) a los PARALES (D y E). Utilice cuatro TORNILLOS DORADOS DE CABEZA PERDIDA de 8 mm (3S) a través de los agujeros No. 1 y No. 3.

**NOTA:** Para cada RIEL DE EXTENSIÓN ESTRECHO, atornille un TORNILLO dentro del agujero indicado en el diagrama ampliado. A continuación deslice el cartucho interno del RIEL DE EXTENSIÓN ESTRECHO hacia el interior para encontrar el otro agujero que se alinea con el agujero de los EXTREMOS y los PARALES. Atornille un TORNILLO dentro de este agujero.



## PASO 13

Fije los FONDOS (C) a los EXTREMOS (A y B). Apriete cuatro SUJETADORES TWIST-LOCK®.

Deslice las MOLDURAS DE FONDO\* (J) sobre los bordes con muesca de los FONDOS (C).

\*Patente EE. UU. No. 5,499,886

### Cómo utilizar el SUJETADOR TWIST-LOCK® SAUDER

1. Inserte el extremo con cabilla del SUJETADOR en el agujero de la parte adjunta.

NOTA: El extremo con cabilla del SUJETADOR debe quedarse completamente insertado en el agujero de la parte adjunta cuando se enclava el SUJETADOR.

2. Apriete el SUJETADOR lo más apretado posible con un destornillador Phillips (cruz).

## PASO 15

Fije los DORSOS (F) a las PATAS POSTERIORES (Q y R) sobre los EXTREMOS (A y B). Apriete cuatro EXCÉNTRICOS ESCONDIDOS.

## PASO 15

Fije el PARAL DERECHO (D) al FONDO (C) y al DORSO (F). Apriete dos EXCÉNTRICOS ESCONDIDOS y dos SUJETADORES TWIST-LOCK®.

Fije el PARAL IZQUIERDO (E) al FONDO (C) y al DORSO (F). Apriete dos EXCÉNTRICOS ESCONDIDOS y dos SUJETADORES TWIST-LOCK®.

## PASO 16

Fije el VELO DE FONDO (G) al PANEL SUPERIOR (U). Apriete dos SUJETADORES TWIST-LOCK®.

## PASO 17

Precaución: Revise las partes cuidadosamente antes de ensamblar. La separación de las piezas ya pegadas es muy difícil.

NOTA: Antes de comenzar este paso, separe los TORNILLOS NEGROS DE CABEZA PERDIDA de 40 mm (30S) de los TORNILLOS NEGROS DE CABEZA PERDIDA de 49 mm (113S). No confunda estos TORNILLOS.

NOTA: Necesitar la ayuda de otra persona para este paso.

Primero, llene los ocho agujeros pequeños del PANEL SUPERIOR (U) hasta 1/4 a 1/2 con PEGAMENTO (54M). A continuación, inserte ocho PASADORES DE MADERA (15F) dentro de los agujeros. Quite el exceso de PEGAMENTO.

Ahora, llene los agujeros de las PATAS (H, P, Q y R) hasta 1/4 a 1/2 con PEGAMENTO (54M).

Fije los EXTREMOS (A y B) y los PARALES (D y E) al PANEL SUPERIOR (U). Apriete ocho SUJETADORES TWIST-LOCK®.

NOTA: Asegúrese de que los PASADORES DE MADERA en el PANEL SUPERIOR se inserten en las PATAS. Quite el exceso de PEGAMENTO.

Fije los PARALES (D y E) al VELO DE FONDO (G). Utilice cuatro TORNILLOS NEGROS DE CABEZA PERDIDA de 49 mm (113S).

## PASO 18

Fije el ESTANTE (N) al VELO DE FONDO (G). Apriete dos SUJETADORES TWIST-LOCK®.

Fije el ESTANTE (N) a los PARALES (D y E). Utilice cuatro TORNILLOS NEGROS DE CABEZA PERDIDA de 49 mm (113S).

Fije la CARA DE ESTANTE (O) al ESTANTE (N). Apriete dos SUJETADORES TWIST-LOCK®.

Fije la CARA DE ESTANTE (O) a los PARALES (D y E). Utilice dos TORNILLOS NEGROS DE CABEZA PERDIDA de 49 mm (113S).

## PASO 19

1 Fije los LADOS DE CAJÓN PARA LÁPICES (D427 y D428) al DORSO DE CAJÓN PARA LÁPICES (D425). Utilice dos TORNILLOS NEGROS DE CABEZA PERDIDA de 40 mm (30S).

2 Deslice el FONDO DE CAJÓN PARA LÁPICES (B37) dentro de las ranuras de los LADOS DE CAJÓN PARA LÁPICES (D427 y D428) y del DORSO DE CAJÓN PARA LÁPICES (D425).

3 Fije el FRENTE DE CAJÓN PARA LÁPICES (D506) a los LADOS DE CAJÓN PARA LÁPICES (D427 y D428). Utilice dos TORNILLOS NEGROS DE CABEZA PERDIDA de 40 mm (30S).

## PASO 20

Fije la CARA DE CAJÓN PARA LÁPICES (L) a la MOLDURA DE CAJÓN PARA LÁPICES (M). Apriete dos EXCÉNTRICOS ESCONDIDOS.

Fije dos JUEGOS DE PERILLAS (136K) a la CARA DE CAJÓN PARA LÁPICES (L). Utilice dos TORNILLOS NEGROS PARA METAL de 22 mm (37S).

## PASO 21

Fije dos CORREDERAS DE EXTENSIÓN ESTRECHAS (BB) a los LADOS DE CAJÓN PARA LÁPICES (D427 y D428). Utilice cuatro TORNILLOS DORADOS DE CABEZA PERDIDA de 8 mm (3S) a través de los agujeros No. 1 y No. 3.

Fije la CARA DE CAJÓN PARA LÁPICES (L) al FRENTE DE CAJÓN PARA LÁPICES (D506). Utilice tres TORNILLOS NEGROS DE CABEZA GRANDE de 22 mm (17S).

## PASO 22

1 Inserte los LADOS DE CAJÓN GRANDE (D28 y D29) en ángulo dentro del encaje en cada extremo de la CARA DE CAJÓN GRANDE (W).

2 Deslice el FONDO DE CAJÓN GRANDE (D707) dentro de las ranuras de los LADOS DE CAJÓN GRANDE (D28 y D29) y de la CARA DE CAJÓN GRANDE (W).

3 Fije el DORSO DE CAJÓN GRANDE (D78) a los LADOS DE CAJÓN GRANDE (D28 y D29). Utilice cuatro TORNILLOS NEGROS DE CABEZA PERDIDA de 40 mm (30S).

**NOTA:** Asegúrese de que el FONDO DE CAJÓN GRANDE (D707) ajuste dentro de la ranura del DORSO DE CAJÓN GRANDE (D78).

Repita este paso para el otro cajón GRANDE.

## PASO 23

1 Inserte los LADOS DE CAJÓN PEQUEÑO (D24 y D25) en ángulo dentro del encaje en cada extremo de la CARA DE CAJÓN PEQUEÑO (V).

2 Deslice el FONDO DE CAJÓN PEQUEÑO (D716) dentro de las ranuras de los LADOS DE CAJÓN PEQUEÑO (D24 y D25) y de la CARA DE CAJÓN PEQUEÑO (V).

3 **NOTA:** Los cajones PEQUEÑOS sólo utilizan dos TORNILLOS por cajón. Remítase al diagrama.

Fije el DORSO DE CAJÓN PEQUEÑO (D109) a los LADOS DE CAJÓN PEQUEÑO (D24 y D25). Utilice dos TORNILLOS NEGROS DE CABEZA PERDIDA de 40 mm (30S).

**NOTA:** Asegúrese que el FONDO DE CAJÓN PEQUEÑO (D716) ajuste dentro de la ranura del DORSO DE CAJÓN PEQUEÑO (D109).

Repita este paso para los otros cajones PEQUEÑOS.

## PASO 24

Inserte un EXCÉNTRICO DE CORREDERA (10A) dentro de los LADOS DE CAJÓN GRANDE (D28 y D29).

Fije dos CORREDERAS DE EXTENSIÓN ANCHAS (Z) a los LADOS DE CAJÓN GRANDE (D28 y D29). Utilice cuatro TORNILLOS DORADOS DE CABEZA PERDIDA de 8 mm (3S) a través de los agujeros No. 1 y No. 4.

**NOTA:** La cabeza de tornillo del EXCÉNTRICO debe ser visible a través del agujero alargado de la CORREDERA.

Repita este paso para el otro cajón GRANDE.

## PASO 25

Inserte un EXCÉNTRICO DE CORREDERA (10A) dentro de los LADOS DE CAJÓN PEQUEÑO (D24 y D25).

Fije dos CORREDERAS DE EXTENSIÓN ESTRECHAS (BB) a los LADOS DE CAJÓN PEQUEÑO (D24 y D25). Pase dos TORNILLOS NEGROS DE CABEZA PERDIDA de 40 mm (30S) a través de los agujeros No. 1, a través de los LADOS DE CAJÓN PEQUEÑO, y en el DORSO DE CAJÓN PEQUEÑO (D109). Utilice dos TORNILLOS DORADOS DE CABEZA PERDIDA de 8 mm (3S) a través del agujero No. 3.

**NOTA:** La cabeza de tornillo del EXCÉNTRICO debe ser visible a través del agujero alargado de la CORREDERA.

Repita este paso para los otros cajones PEQUEÑOS.

## PASO 26

Empuje un CORRIMIENTO DE ARCHIVERO (15B) sobre el LADO DERECHO DE CAJÓN GRANDE (D28).

Deslice las VARILLAS DE ARCHIVERO (8B) dentro del CORRIMIENTO DE ARCHIVERO (15B) sujeta al LADO DERECHO DE CAJÓN GRANDE (D28).

Deslice otro CORRIMIENTO DE ARCHIVERO (15B) sobre el otro extremo de las VARILLAS DE ARCHIVERO (8B) y presione este CORRIMIENTO DE ARCHIVERO sobre el LADO IZQUIERDO DE CAJÓN GRANDE (D29).

Fije un JUEGO DE PERILLAS (136K) a la CARA DE CAJÓN GRANDE (W). Utilice un TORNILLO NEGRO PARA METAL de 28 mm (21S).

Repita la fijación un JUEGO DE PERILLAS a todos los cajones.

Inserte los otros CORRIMIENTOS DE ARCHIVERO (15B) y las VARILLAS DE ARCHIVERO (8B) en el otro CAJÓN GRANDE.

## PASO 27

Cuidadosamente ponga la unidad en posición vertical.

**NOTA:** Antes de insertar un cajón, asegúrese que el CARTUCHO INTERNO del RIEL DE EXTENSIÓN en su unidad está hacia adelante. El CARTUCHO INTERNO debe hacer clic en su lugar contra la LENGÜETA NEGRA.

Para insertar un cajón dentro de la unidad, alinee las CORREDERAS DE EXTENSIÓN sujetadas al cajón con los RIELES DE EXTENSIÓN sujetos a la unidad y empuje el cajón dentro de la unidad hasta que el cajón esté completamente insertado. El cajón mueve con dificultad hasta que se inserte completamente dentro de la unidad, después deslizará fácilmente hacia dentro y hacia fuera.

Inserte las CUBIERTAS DE OJAL (1P) y los OJALES (10P) dentro de los agujeros grandes del PANEL SUPERIOR (U).

## PASO 28

Para ajustar los CAJONES PEQUEÑOS, afloje el TORNILLO No. 3 de las CORREDERAS una cuarta vuelta y después gire la LEVA hacia la derecha o hacia la izquierda. Observe que el cajón sube o baja al girar la LEVA. Entre más alto esté el tornillo en el agujero oblongo, más alto estará el frente del cajón. Entre más bajo esté el tornillo, el frente del cajón estará más bajo. Al ajustar los cajones de esta manera, mejorará la alineación de las CARAS DE CAJÓN una vez cerrada. Apriete los TORNILLOS después de hacer los ajustes.

**NOTA:** Para ajustar los CAJONES GRANDES afloje el tornillo No. 4.

**NOTA:** Por favor, lea las páginas de atrás del folleto de instrucciones en cuanto a importante información de seguridad.

Esto completa el ensamblaje. Limpie con su pulimento para muebles preferido o un paño húmedo. Seque con un paño.

**⚠ WARNING**

Please use your furniture correctly and safely. Improper use can cause safety hazards, or damage to your furniture or household items. ***Carefully read the following chart.***

Look out for:	What can happen:	How to avoid the problem:
<ul style="list-style-type: none"> <li>Overloaded shelves and drawers.</li> <li>Improper loading can cause the product to be top-heavy.</li> </ul>	<ul style="list-style-type: none"> <li>Risk of injury.</li> <li>Top-heavy furniture can tip over.</li> <li>Overloaded shelves and drawers can break.</li> </ul>	<ul style="list-style-type: none"> <li>Never exceed the weight limits shown in the instructions.</li> <li>Work from bottom to top when loading shelves and drawers. Place the heavier items on the lower shelves or in lower drawers.</li> </ul>
<ul style="list-style-type: none"> <li>Improperly moving furniture that is not designed and equipped with casters.</li> </ul>	<ul style="list-style-type: none"> <li>Furniture can tip over or break if improperly moved.</li> <li>Physical injury. Furniture can be very heavy.</li> <li>Breakage of tops - particularly with double pedestal furniture (drawers at both ends).</li> </ul>	<ul style="list-style-type: none"> <li>Unload shelves and drawers from top to bottom before moving the unit.</li> <li>Do not push furniture, especially on a carpeted floor. Have a friend help you lift the item and set it in place.</li> <li>Provide support to the center section of the top when lifting the furniture.</li> </ul>
<ul style="list-style-type: none"> <li>Placing TVs on furniture items that are not designed to support a television is hazardous.</li> </ul>	<ul style="list-style-type: none"> <li>Risk of injury or death. TVs can be very heavy. Plus the weight and location of the picture tube tends to make TVs unbalanced and prone to tipping forward.</li> </ul>	<ul style="list-style-type: none"> <li>This product is not designed to support a television.</li> </ul>

## AVERTISSEMENT

Prière d'utiliser le mobilier à bon escient et avec prudence. Une mauvaise utilisation peut être à l'origine de risques d'accident ou peut endommager le mobilier et les articles ménagers. **Lire attentivement le tableau suivant.**

À surveiller :	Danger éventuel :	Solution :
<ul style="list-style-type: none"><li>• Tablettes et tiroirs surchargés.</li><li>• En cas de chargement inadéquat l'élément peut être lourd du haut.</li></ul>	<ul style="list-style-type: none"><li>• Risque de blessure.</li><li>• Du mobilier mal équilibré risque de se renverser.</li><li>• Tablettes et tiroirs surchargés risquent de casser.</li></ul>	<ul style="list-style-type: none"><li>• Ne jamais excéder les limites de poids indiquées dans les instructions.</li><li>• Pour charger les tablettes et tiroirs, commencer par remplir celui du bas pour finir par celui du haut. Placer les articles plus lourds sur les tablettes inférieures ou dans les tiroirs inférieurs.</li></ul>
<ul style="list-style-type: none"><li>• Déplacement inadéquat d'un mobilier qui n'est pas conçu pour avoir des roulettes et n'en est pas équipé.</li></ul>	<ul style="list-style-type: none"><li>• Le mobilier risque de se renverser ou de casser en cas de déplacement inadéquat.</li><li>• Blessure physique. Le mobilier peut être très lourd.</li><li>• Défaillance des dessus surtout avec les éléments de double piédestaux (tiroirs en chaque extrémité).</li></ul>	<ul style="list-style-type: none"><li>• Décharger les tablettes et tiroirs en commençant par celui du haut avant de déplacer l'élément.</li><li>• Ne pas pousser le meuble, surtout sur la moquette. Se faire aider par une autre personne pour soulever l'élément et le mettre en place.</li><li>• Supporter la section centrale du dessus lorsque l'on soulève le meuble.</li></ul>
<ul style="list-style-type: none"><li>• Il est dangereux de placer des téléviseurs sur des meubles que ne sont pas prévus à cet effet.</li></ul>	<ul style="list-style-type: none"><li>• Risque de blessures graves, voire mortelles. Les téléviseurs peuvent être particulièrement lourds. De plus, le poids et l'emplacement du tube image ont tendance à rendre les téléviseurs instables et enclins à tomber vers l'avant.</li></ul>	<ul style="list-style-type: none"><li>• Ce produit n'est pas destiné à supporter un téléviseur.</li></ul>

## **⚠️ ADVERTENCIA**

Por favor use el mobiliario correcta y seguramente. El mal uso puede causar riesgos de seguridad o daño a las unidades o artículos domésticos. ***Cuidadosamente lea la tabla a continuación.***

Esté alerta de:	Puede ocurrir:	Evitar el problema:
<ul style="list-style-type: none"><li>• Estantes y cajones sobrecargados.</li><li>• Cargar el producto de manera inadecuada puede causar la inestabilidad.</li></ul>	<ul style="list-style-type: none"><li>• Riesgo de lesiones.</li><li>• El mobiliario inestable puede volcarse.</li><li>• Estantes y cajones sobrecargados pueden romperse.</li></ul>	<ul style="list-style-type: none"><li>• Nunca exceder los límites de peso indicados en las instrucciones.</li><li>• Cargue los estantes y cajones a partir de la base y trabaje hacia arriba. Coloque los artículos más pesados sobre los estantes inferiores o en los cajones inferiores.</li></ul>
<ul style="list-style-type: none"><li>• Mover incorrectamente el mobiliario que no está diseñado y provisto con ruedecitas.</li></ul>	<ul style="list-style-type: none"><li>• La inclinación o rotura del mobiliario es posible si se mueve de manera inadecuada.</li><li>• Lesión física. El mobiliario puede ser muy pesado.</li><li>• Rotura de las superficies especialmente las unidades con dos pedestales (con cajones en cada extremo).</li></ul>	<ul style="list-style-type: none"><li>• Descargue los estantes y cajones desde arriba hacia abajo antes de mover la unidad.</li><li>• No empuje la unidad, especialmente sobre un piso alfombrado. Pide la ayuda de otra persona para levantar la unidad y colocarla en lugar.</li><li>• Soporte la sección central del panel superior cuando levanta el mueble.</li></ul>
<ul style="list-style-type: none"><li>• Es peligroso colocar los televisores sobre unidades de mobiliario que no están diseñadas para soportar un televisor.</li></ul>	<ul style="list-style-type: none"><li>• Riesgo de lesiones o muerte. Los televisores pueden ser muy pesados. Además, el peso y la ubicación del tubo de imagen tienden a causar la inestabilidad de televisores y propensa a volcarse hacia adelante.</li></ul>	<ul style="list-style-type: none"><li>• Este producto no está diseñado para soportar un televisor.</li></ul>

## 5-YEAR LIMITED WARRANTY

1. Sauder Woodworking Co. (Sauder®) provides limited warranty coverage to the original purchaser of this product for a period of five years from the date of purchase against defects in materials or workmanship of Sauder furniture components. As used in this Warranty, "defect" means imperfections in components which substantially impair the utility of the product. This Warranty gives you specific legal rights, and you may also have other rights which vary from state to state.

2. There is no warranty coverage for defects or conditions that result from the failure to follow product assembly instructions, information or warnings, misuse or abuse, intentional damage, fire, flood, alteration or modification of the product, or use of the product in a manner inconsistent with its intended use, nor any condition resulting from incorrect or inadequate maintenance, cleaning, or care. There is also no warranty coverage for rented products or any products purchased "used" or "as is", at a distress or going-out-of business sale, or from a liquidator.

3. As the exclusive remedy under this Warranty, Sauder will (at its sole option) repair, replace or refund the value of any defective furniture component. Sauder may require independent confirmation of the claimed defect and proof of purchase. Replacement parts will be warranted for only the remaining period of the original Warranty. SAUDER SHALL HAVE NO LIABILITY FOR ANY INCIDENTAL OR CONSEQUENTIAL DAMAGES OF ANY KIND and all such damages are EXCLUDED FROM THIS WARRANTY, such as loss of use, disassembly, transportation, labor or damage to property on or near the product. Some states do not allow the exclusion or limitation of incidental or consequential damages, so the above limitation or exclusion may not apply to you.

## GARANTIE LIMITÉE DE 5 ANS

1. Sauder Woodworking Co. (Sauder®) offre une couverture de garantie limitée à l'acheteur initial du présent produit pendant une période de cinq ans à compter de la date d'achat contre tout défaut de matériaux ou de fabrication des composantes de mobilier Sauder. Le mot « défaut », tel qu'il est utilisé sous les termes de la présente garantie, comprend les imperfections des pièces qui empêchent substantiellement l'utilisation du produit. La présente garantie vous donne des droits légaux spécifiques et il est possible que vous ayez des droits supplémentaires variant d'État en État ou de province en province.

2. La présente garantie ne saurait couvrir les défauts ou conditions qui surviendraient à la suite du non respect des instructions, informations ou mises en garde de montage, d'une mauvaise utilisation ou d'un abus, d'un dommage intentionnel, d'un incendie, d'une inondation, d'une altération ou modification du produit, d'une utilisation du produit allant à l'encontre de son usage prévu, ni aucune condition résultant d'une maintenance, d'un nettoyage ou d'un entretien inappropriés ou inadéquats. De plus, il n'existe aucune garantie pour les produits loués ou tous les produits achetés « d'occasion » ou « en l'état », dans le cadre d'une vente aux enchères ou de solde pour cessation de commerce, ou auprès d'un liquidateur.

3. En tant que recours exclusif en vertu de la présente garantie, Sauder réparera, remplacera ou remboursera (sur sa seule décision) la valeur de toute composante de mobilier défectueuse. Sauder peut exiger une confirmation indépendante du défaut revendiqué ainsi qu'une preuve d'achat. Les pièces de rechange seront garanties uniquement pendant la période restante de la garantie originale. SAUDER NE SERA EN AUCUN CAS RESPONSABLE DE TOUT DOMMAGE ACCESSOIRE OU CONSÉCUTIF DE TOUTE SORTE et lesdits dommages sont EXCLUS DE LA PRÉSENTE GARANTIE, à savoir perte d'utilisation, démontage, transport, main d'œuvre ou dommages matériels sur ou à proximité du produit. Certains États ou provinces ne permettant pas l'exclusion ou la limite aux responsabilités pour dommages accidentels ou consécutifs, la limite ou l'exclusion ci-dessus peut ne pas être applicable.

## GARANTÍA LIMITADA DE 5 AÑOS

1. Sauder Woodworking Co. (Sauder®) provee cobertura de garantía limitada al comprador original de este producto por un período de cinco años, a partir de la fecha de compra, contra defectos en los materiales o de mano de obra en los componentes de muebles Sauder. Como es utilizado en esta Garantía, "defecto" significa imperfecciones en los componentes que de manera fundamental afecta la utilidad del producto. Esta Garantía le permite a usted ciertos derechos legales, y usted también podría poseer otros derechos adicionales, los cuales varían de estado a estado.

2. No hay cobertura de garantía para defectos o estados que resulten del incumplimiento en seguir las instrucciones, la información o las advertencias sobre el ensamblaje del producto; del uso incorrecto o maltrato, del daño intencional, incendio, inundación, cambio o modificación del producto; o de la utilización del producto de manera contradictoria con el uso para el cual fue fabricado, ni por ningún estado que resulte del mantenimiento, limpieza o cuidado incorrecto o inadecuado. Tampoco no hay cobertura de garantía para los productos rentados o para cualesquiera productos comprados "de uso" o "como está", en una venta de bienes embargados o en una venta por salirse del negocio, o comprados a un liquidador.

3. Como un recurso exclusivo bajo esta Garantía, Sauder (sólo a su opción) reparará, reemplazará o reembolsará el valor de cualquier componente defectuoso de mueble. Sauder puede requerir una confirmación independiente de un defecto reclamado y una prueba de compra. Las piezas de repuesto serán garantizadas solamente por el período de tiempo que queda de la Garantía original. SAUDER NO TENDRÁ RESPONSABILIDAD POR NINGÚN DAÑO INCIDENTAL O CONSUCUENTE DE NINGÚN TIPO y todos dichos daños SE EXCLUYEN DE ESTA GARANTÍA, tales como pérdida de uso, desensamblaje, transportación, trabajo o daño a la propiedad en o cerca del producto. Algunos estados no permiten la exclusión o limitación de daños incidentales o consecuentes, en tales instancias la limitación o exclusión antes mencionada podría no ser aplicable a usted.

4. This Warranty applies only to warranted defects that first arise and are reported to Sauder within the warranty coverage period. The Warranty cannot be transferred to subsequent owners or users of the product, and it shall be immediately void in the event the product is resold, transferred, leased or rented to any third party or person other than the original purchaser.

5. THERE ARE NO OTHER WARRANTIES APPLICABLE TO THIS PRODUCT. Under the laws of certain states, there may be no implied warranties from Sauder and all implied warranties, INCLUDING ANY IMPLIED WARRANTY OF MERCHANTABILITY OR FITNESS FOR A PARTICULAR PURPOSE are disclaimed where allowed by law. TO THE EXTENT ANY IMPLIED WARRANTIES ARE APPLICABLE, ANY IMPLIED WARRANTIES, INCLUDING ANY IMPLIED WARRANTY OF MERCHANTABILITY OR FITNESS FOR A PARTICULAR PURPOSE, ARE LIMITED IN DURATION TO THE DURATION OF THIS EXPRESS WARRANTY or the minimum period allowed by law, whichever is shorter. Some states do not allow limitations on how long an implied Warranty lasts, so the above limitation may not apply to you.

6. For Warranty inquiries or claims, please visit our website [www.sauder.com](http://www.sauder.com). You can also contact Sauder at 1.800.523.3987. Sauder may require Warranty claims to be submitted in writing to: Sauder Woodworking Co., 502 Middle Street, Archbold, OH 43502 USA. Please include your sales receipt or other proof of purchase and a specific description of the product defect.

4. La présente garantie ne s'applique qu'aux défauts garantis qui se produisent pour la première fois et qui sont signalés à Sauder dans les limites de couverture de la garantie. La garantie ne peut pas être transférée à des propriétaires ou utilisateurs subséquents du produit, et sera immédiatement invalidée dans le cas où le produit est revendu, transféré, loué sous bail ou loué à une tierce partie ou personne autre que l'acheteur original.

5. IL N'EXISTE AUCUNE AUTRE GARANTIE EN VIGUEUR POUR LE PRÉSENT PRODUIT. En vertu des lois de certains États ou provinces, il ne peut y avoir de garanties implicites de la part de Sauder et toutes les garanties implicites, Y COMPRIS TOUTE GARANTIE IMPLICITE DE COMMERCIALITÉ OU D'ADAPTATION À UN USAGE PARTICULIER sont déclinées partout où la loi l'autorise. DANS LA MESURE OÙ TOUTE GARANTIE IMPLICITE EST APPLICABLE, TOUTE GARANTIE IMPLICITE, Y COMPRIS TOUTE GARANTIE DE COMMERCIALITÉ OU D'ADAPTATION À UN USAGE PARTICULIER, EST LIMITÉE À LA DURÉE DE LA PRÉSENTE GARANTIE EXPRESSE ou à la période minimum autorisée par la loi, la période la plus courte étant retenue. Certains États ne permettant pas que des limites soient imposées quant à la durée d'une garantie implicite, la limite ci-dessus peut donc ne pas être applicable.

6. Pour toute question concernant la garantie ou toute demande de réclamation, consulter le site Web [www.sauder.com](http://www.sauder.com). Il est également possible de contacter Sauder en composant le 1.800.523.3987. Sauder peut exiger de soumettre les demandes de réclamation sous garantie par écrit à : Sauder Woodworking Co., 502 Middle Street, Archbold, OH 43502 USA. Veuillez joindre votre ticket de caisse ou toute autre preuve d'achat ainsi qu'une description spécifique du défaut de produit.

4. Esta Garantía sólo es aplicable a defectos garantizados que primeramente surjan y se informen a Sauder dentro del período de cobertura de garantía. La Garantía no puede ser transferida a propietarios o usuarios subsiguientes del producto, y ésta será inmediatamente invalidada en el caso que el producto sea revendido, transferido, arrendado o rentado a cualquier tercero u otra persona que no sea el comprador original.

5. NO HAY OTRA GARANTÍA APLICABLE A ESTE PRODUCTO. Bajo las leyes de ciertos estados, pueden no haber garantías implícitas de Sauder y se hace renuncia de responsabilidad de todas las garantías implícitas donde lo permita la ley, INCLUYENDO CUALQUIER GARANTÍA IMPLICITA DE MERCANTABILIDAD O DE APTITUD PARA UN PROPOSITO EN PARTICULAR. EN LA MEDIDA CUALQUIER GARANTÍA IMPLICITA ES APLICABLE, CUALESQUIERA GARANTÍAS IMPLICITAS, INCLUYENDO AQUELLA DE MERCANTABILIDAD O DE APTITUD PARA UN PROPOSITO EN PARTICULAR, SE LIMITAN EN DURACION HASTA LA DURACION DE ESTA GARANTÍA IMPLICITA o hasta el periodo mínimo permitido por la ley, la que sea más corta. Algunos estados no permiten limitaciones en cuanto a la duración de una garantía implícita, por eso la limitación arriba citada pueda no ser aplicable a usted.

6. Para solicitud de información o reclamación de Garantía, por favor, visite nuestro sitio Web [www.sauder.com](http://www.sauder.com). Usted también puede contactar a Sauder llamando al 1.800.523.3987. Sauder puede solicitar que las reclamaciones sean presentadas por escrito a: Sauder Woodworking Co., 502 Middle Street, Archbold, OH 43502 USA. Por favor incluya su recibo de venta u otra prueba de compra y una descripción detallada del defecto del producto.

Dear Valued Customer:

Thanks so much for choosing Sauder® furniture. I hope the purchase and assembly process was a positive experience and you feel good about the furniture you just built. If you need assistance or want to learn more, please contact our award-winning, Ohio-based customer service team at 800-523-3987 or Sauder.com.

My grandfather, Erie Sauder, founded the company in 1934 and later invented and patented the first commercially successful ready-to-assemble tables. We strive to hold true to his core values of innovation, integrity, servanthood and stewardship.

Sauder products are made with environmentally responsible materials and world-class manufacturing processes. Our 2,000+ dedicated employees in Archbold, Ohio, along with our global manufacturing partners, are committed to providing you furniture with great value, style and quality.

From our family to you. Enjoy!



Kevin J. Sauder  
President/CEO

## So, how did it go?

Set a world record for speed?  
Feeling good about yourself?  
Nice. Get social with it on any  
of these quality share sites.



And don't forget to rate and  
review your piece at Sauder.com  
in the product detail page.



### Register your new product online

For immediate service, our website is available 24 hours per day, seven days per week, to order replacement parts, access assembly tips, register your product and view Sauder products. [www.sauder.com](http://www.sauder.com)

Customer Services in United States and Canada  
Monday through Friday – 9 a.m. to 5:30 p.m. ET  
(except holidays) 1-800-523-3987

#### General Conformity Certificate

1. This certificate applies to the Sauder Woodworking Product identified by this Instruction Book.
2. This certificate applies to compliance of this product with the CPSC Ban on Lead-Containing Paint (16 CFR 1303).
3. This product is manufactured by:  
Sauder Woodworking Company  
502 Middle St.  
Archbold, OH 43502  
419-446-2711
4. Date of Manufacture: \_\_\_\_\_



Made in USA  
with U.S. and imported materials