






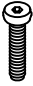



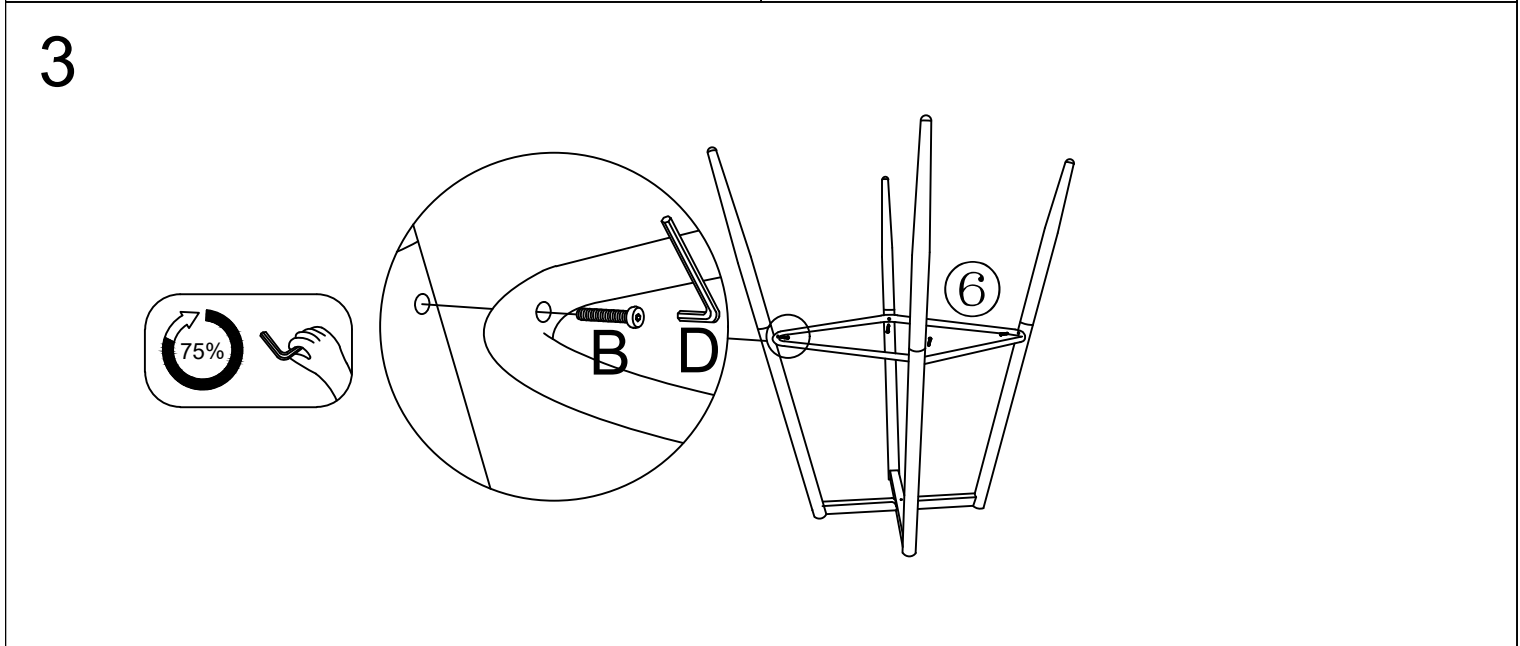
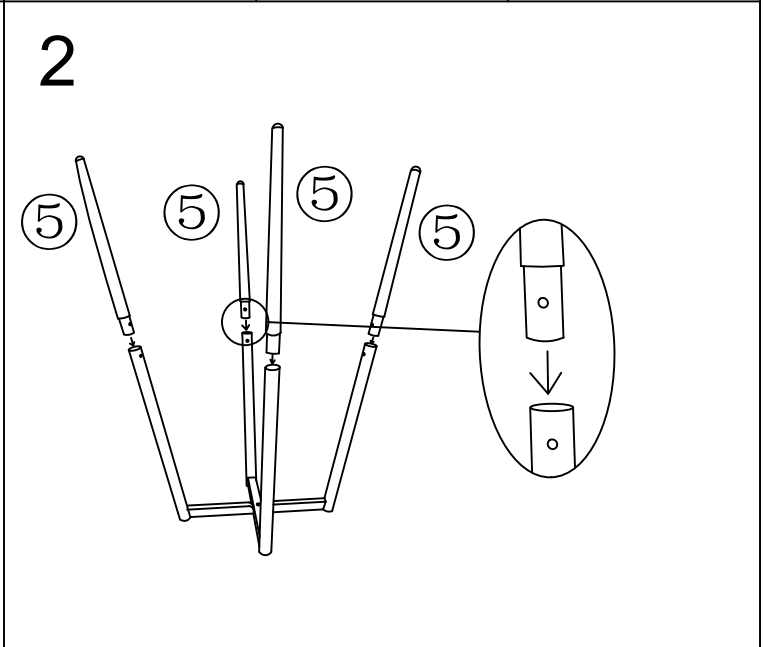
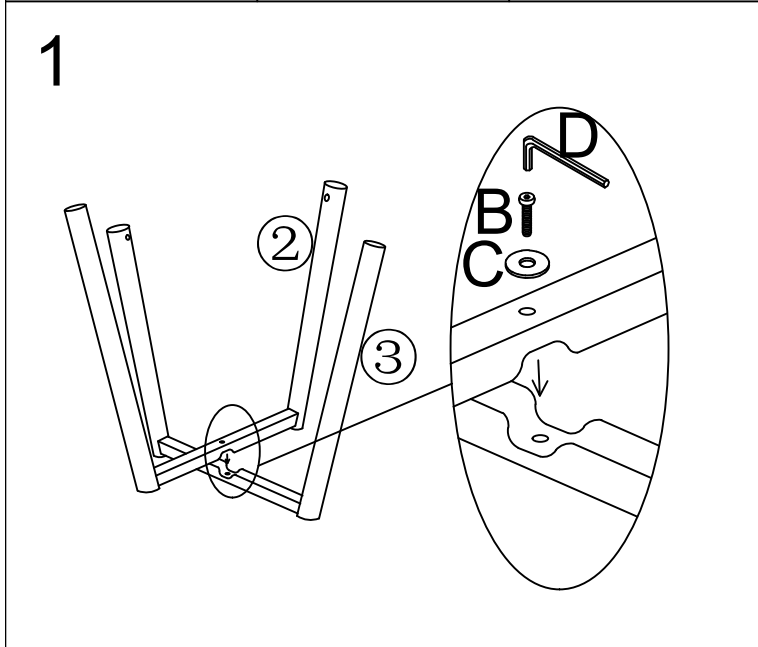
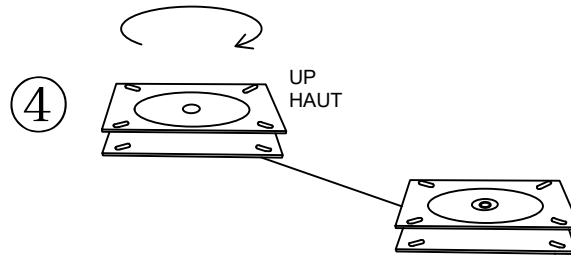


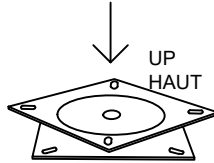
①X1	②X1	③X1	④X1	⑤X4	⑥X1
					
AX6	BX7	CX9	DX1	EX2	
 M6X16mm	 M6X20mm	 M6X18mm	 5#	 5mm	



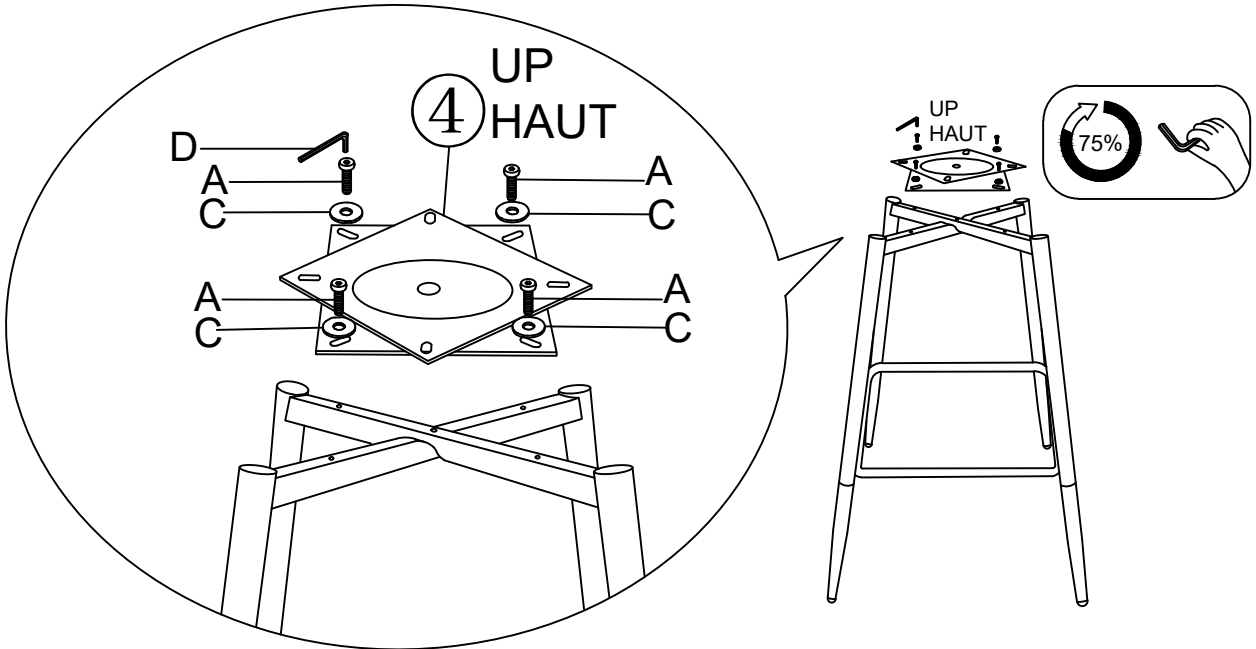
4



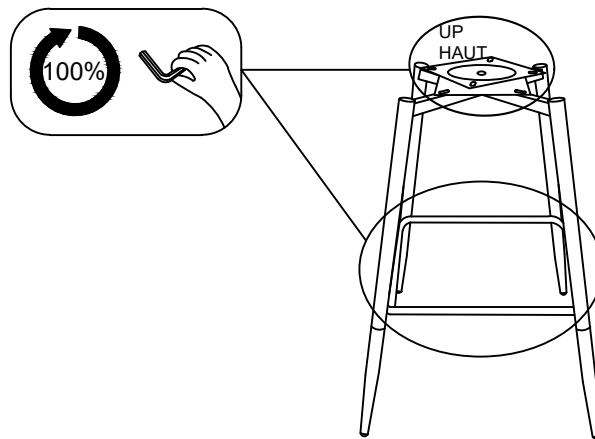
Rotate the top half of component 2 by 45°.  
Tournez la moitié supérieure du composant 2 de 45°.



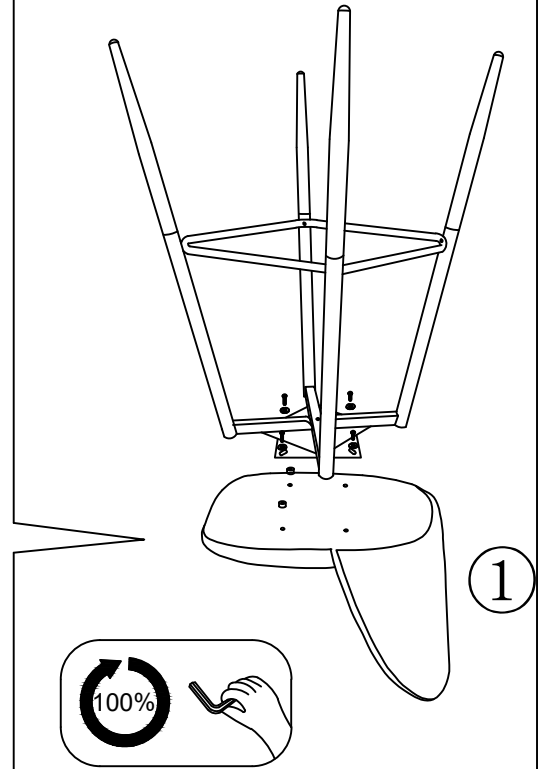
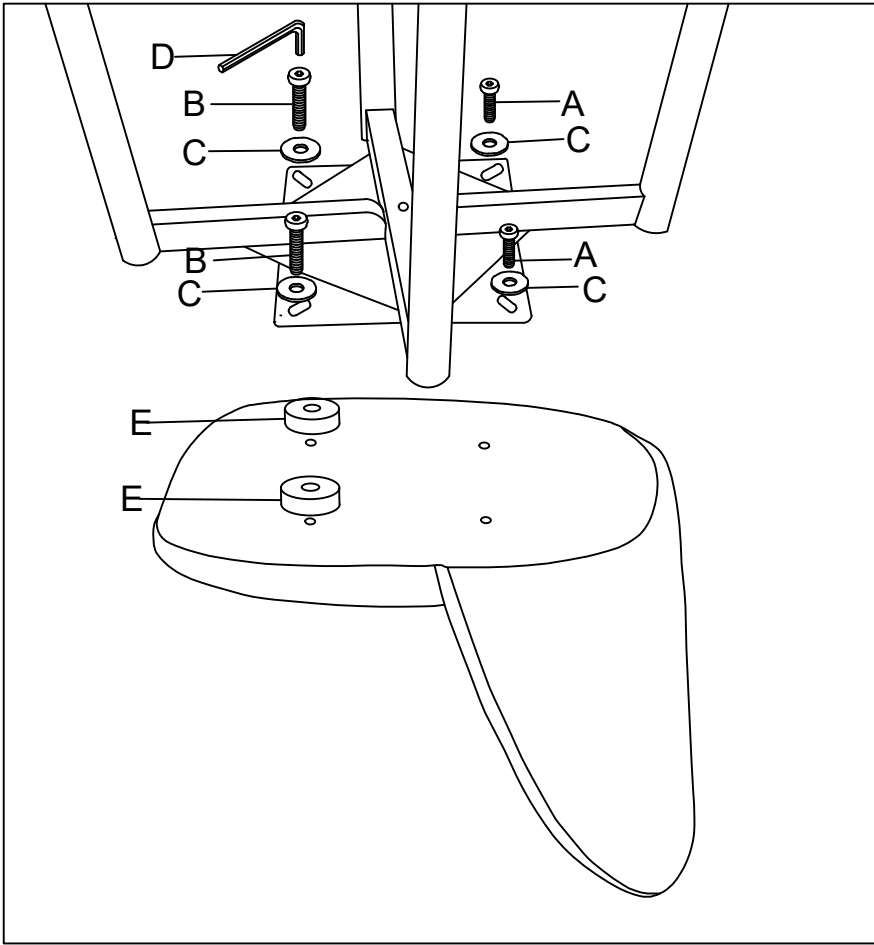
5



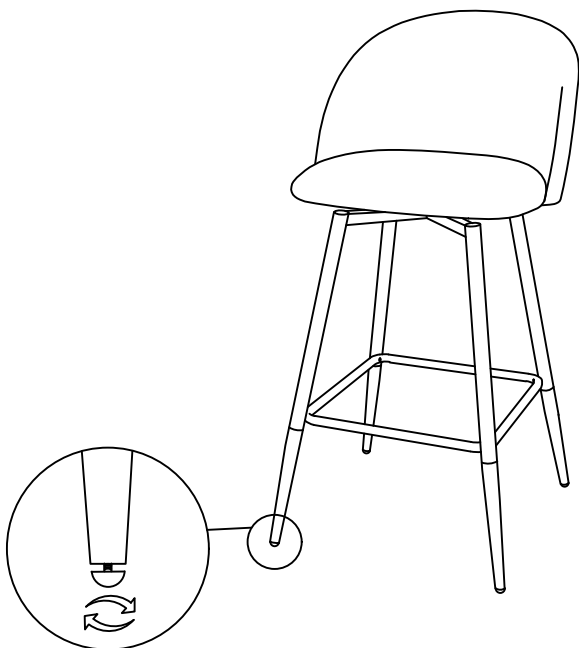
6



7



8



9

