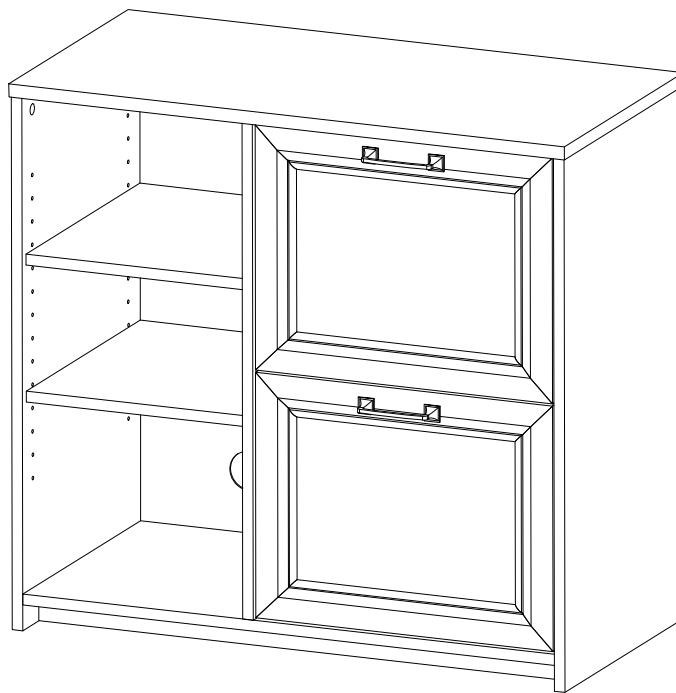


# ASSEMBLY INSTRUCTIONS

## Important Safety Instructions:

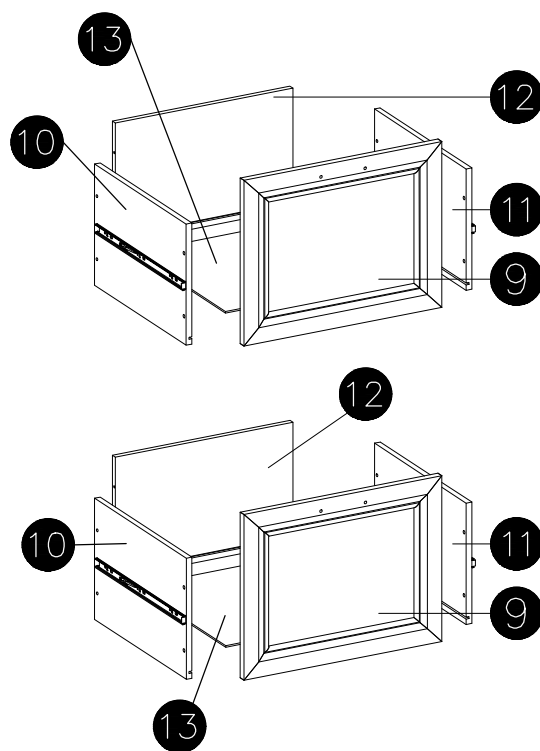
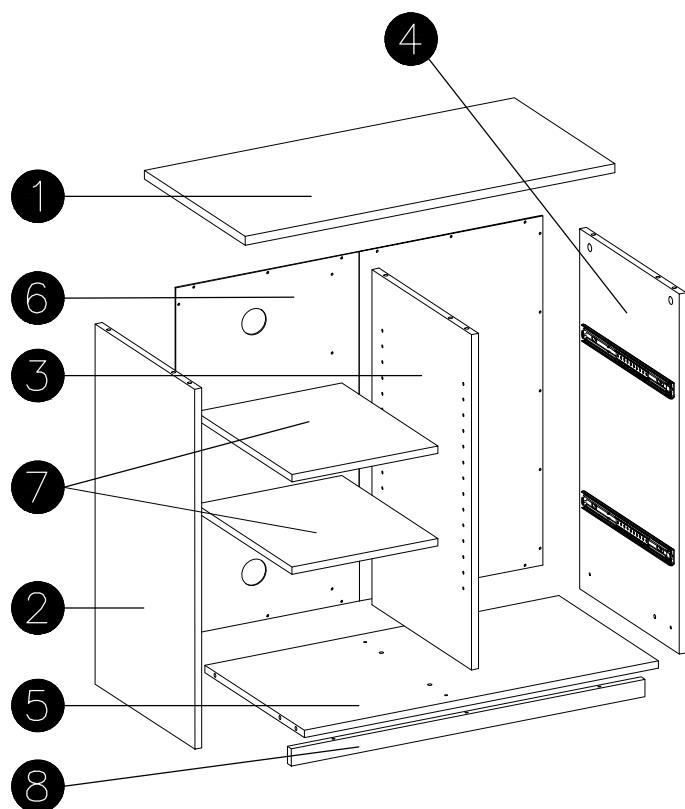
- Please read all instructions before beginning assembly
- Please make sure receive all the parcels to start the assembly
- For your safety and convenience, assembly by two people is recommended
- Use the parts and hardware lists to identify and separate each of the components included
- Save all packing materials until assembly is completed to avoid the accidental discarding of smaller parts or hardware
- Use of power tools is not recommended



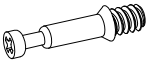


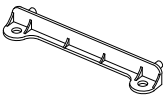
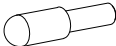

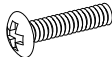
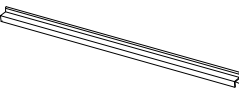
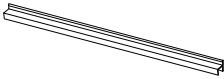

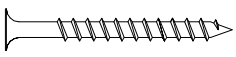
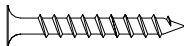
THANK YOU FOR PURCHASING


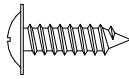
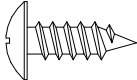
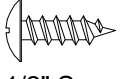

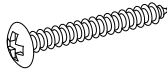
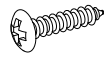
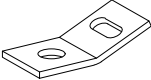
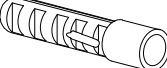

# PARTS LIST

① X1	② X1	③ X1	④ X1	⑤ X1
⑥ X1	⑦ X2	⑧ X1	⑨ X2	⑩ X2
⑪ X2	⑫ X2	⑬ X2		



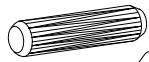
# HARDWARE LIST

Name	Part	Qty.	Spare
A		10	1
B		10	1
C		7	1
D		4	
E		8	
F		2	
G	 7/8" Screw	4	1
H		2	
I		4	
J		2	
K	 2" Screw	2	
L		8	

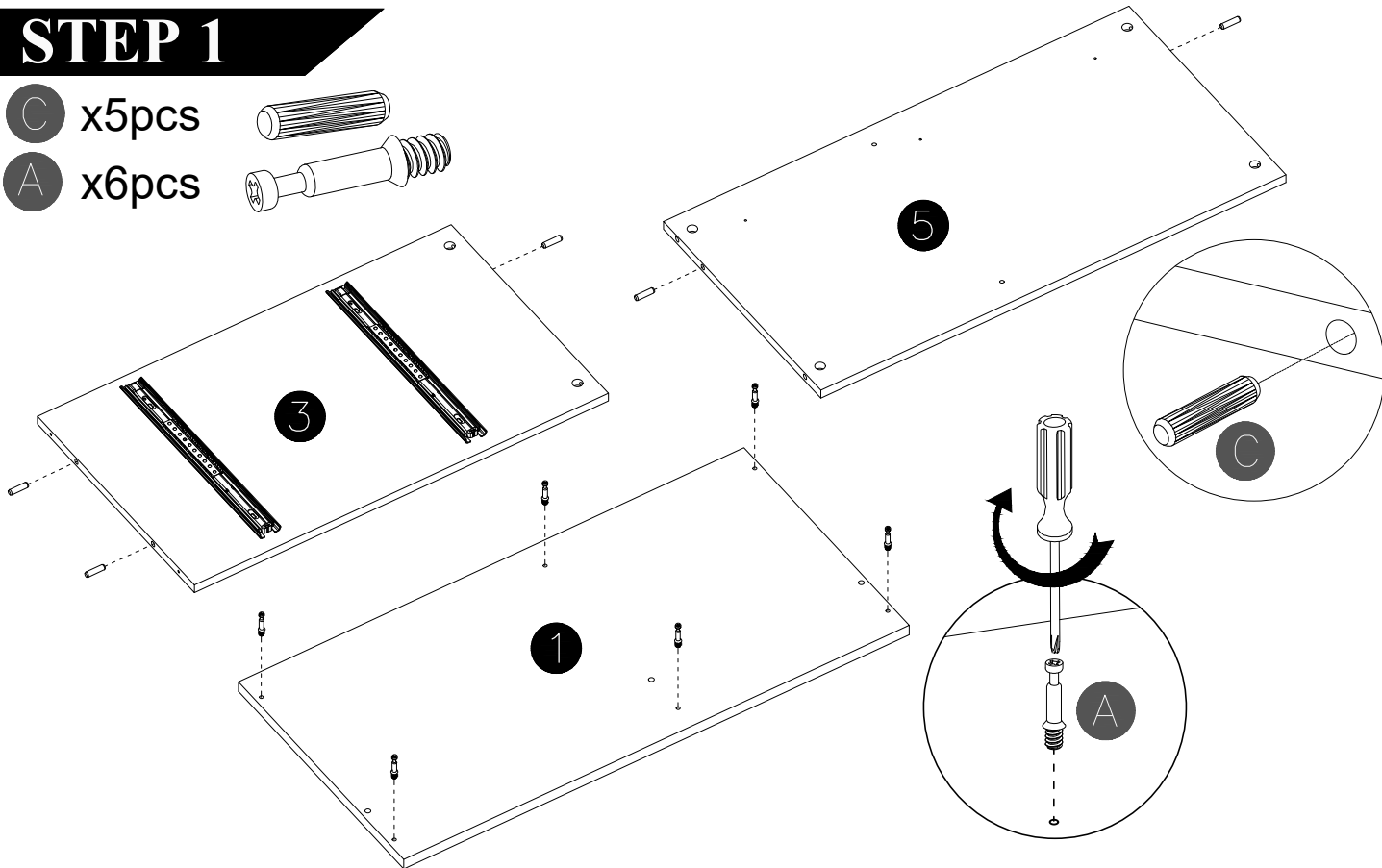
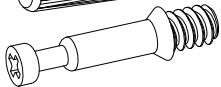
Name	Part	Qty.	Spare
M	 1-1/2" Screw	3	
N		25	2
O	 9/16" Screw	8	
P	 1/2" Screw	8	1
Q		2	
U1		2	
U2		2	
U3		4	
U4		2	
U5		2	

# STEP 1

C x5pcs



A x6pcs

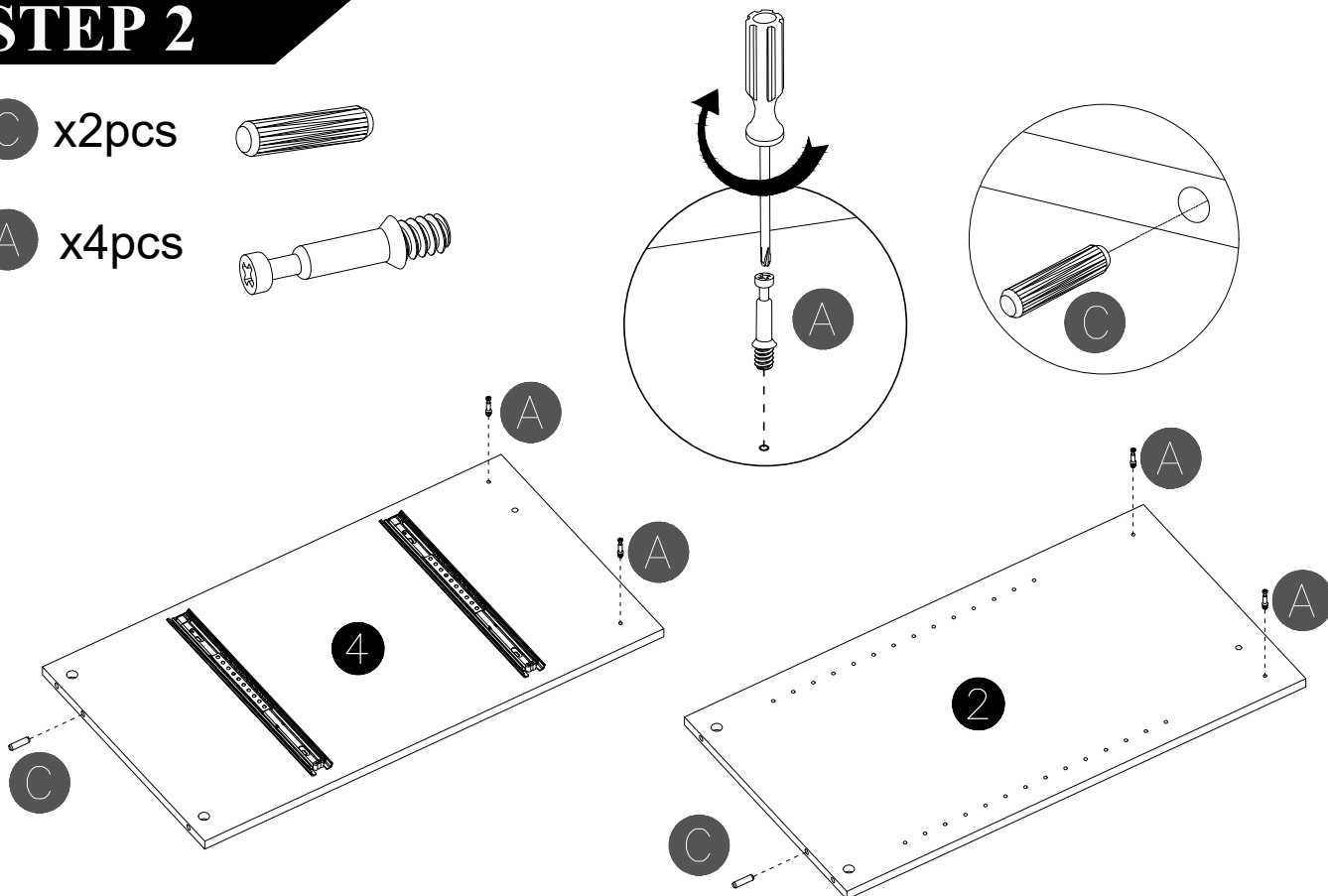
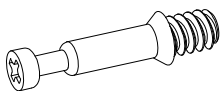


# STEP 2

C x2pcs

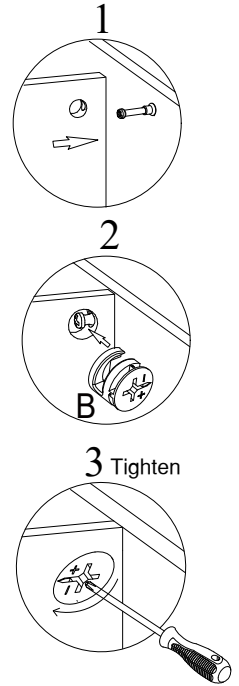
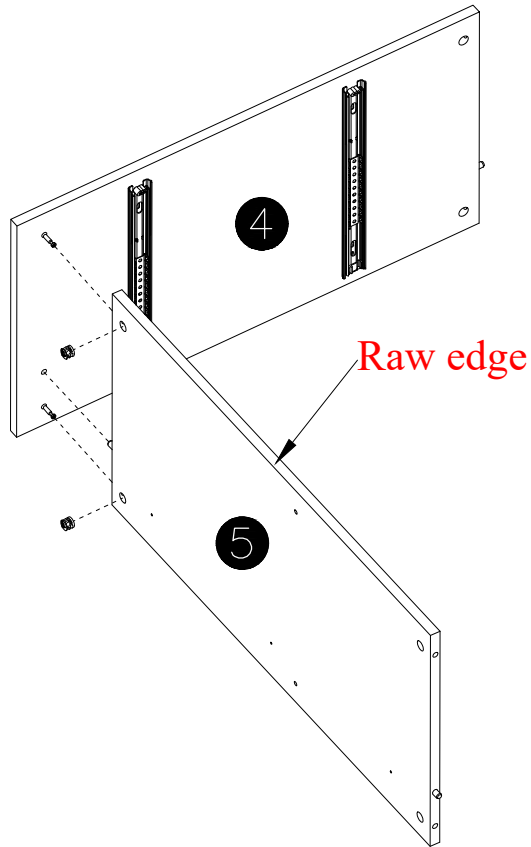
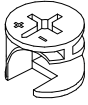


A x4pcs



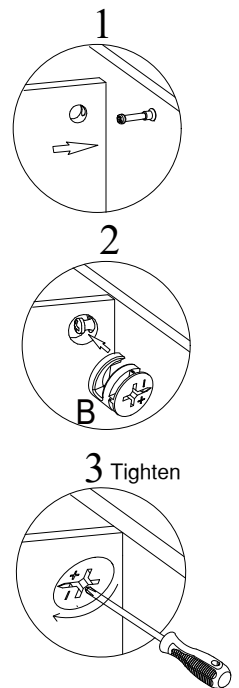
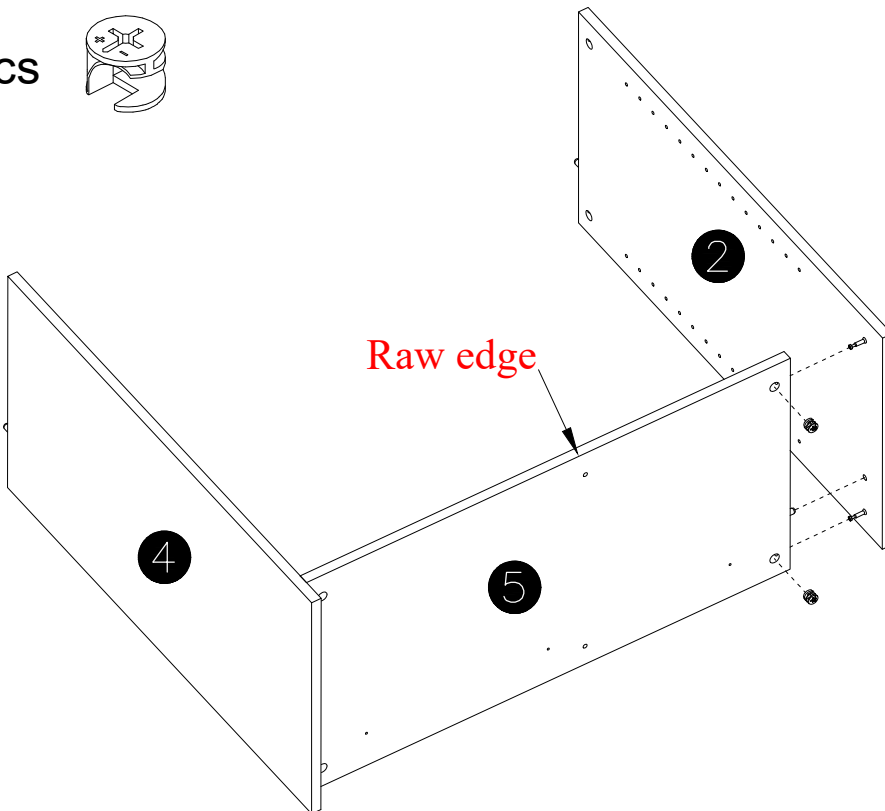
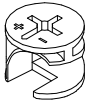
# STEP 3

B x2pcs



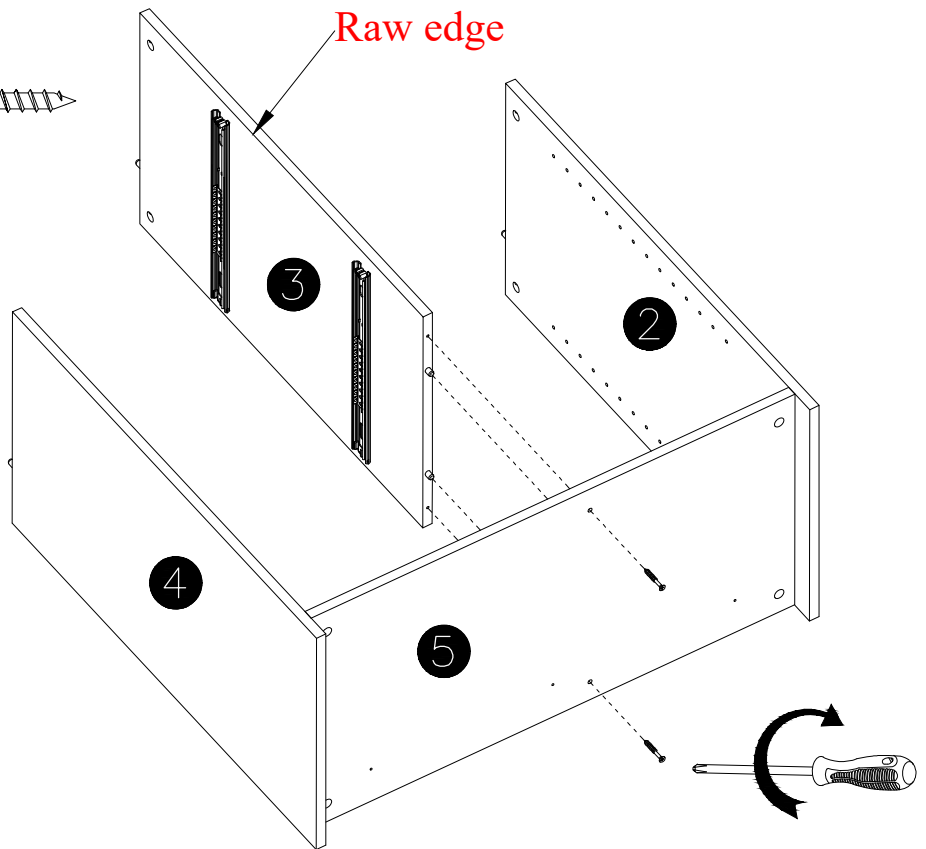
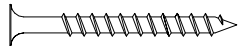
# STEP 4

B x2pcs



# STEP 5

K x2pcs

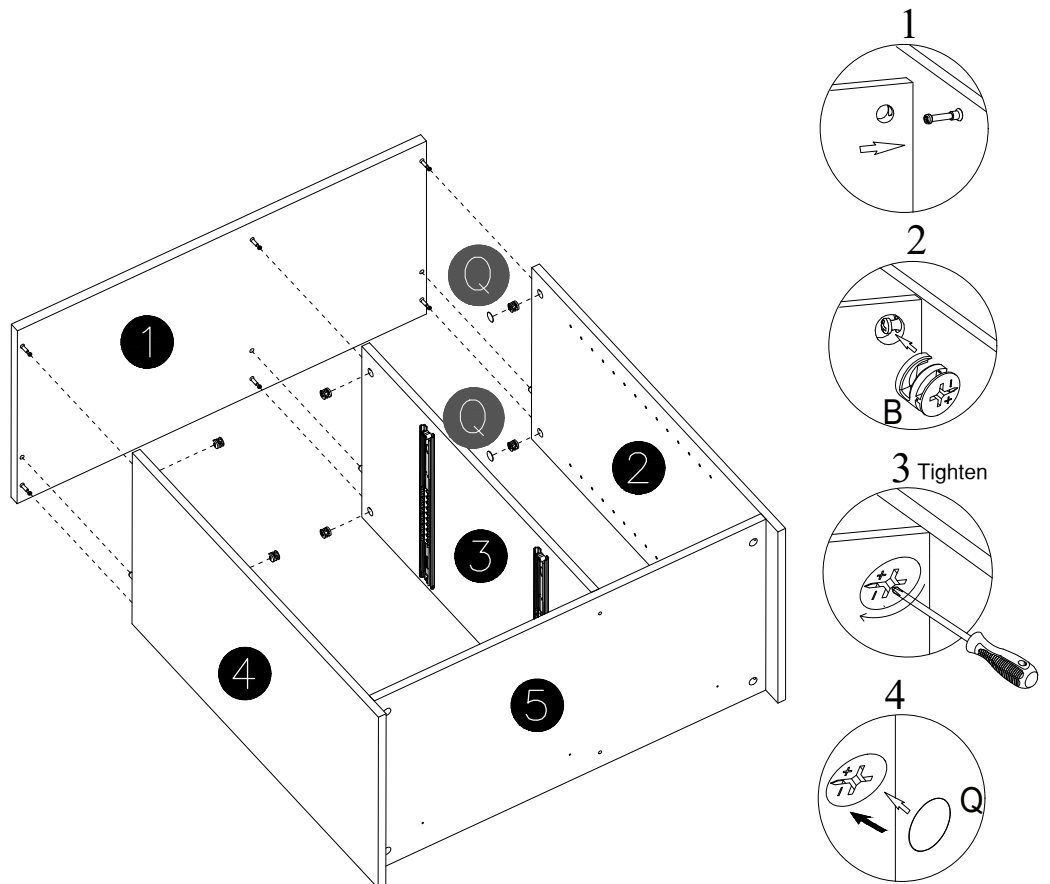


# STEP 6

B x6pcs



Q x2pcs

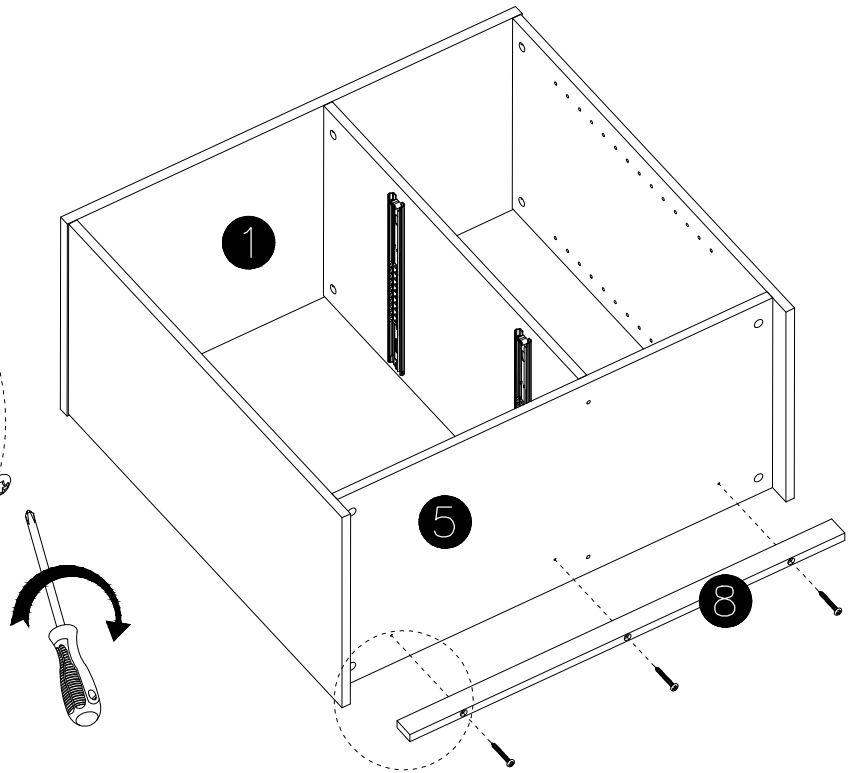
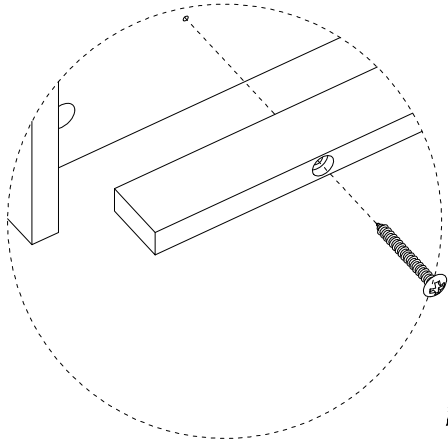


# STEP 7

M x3pcs

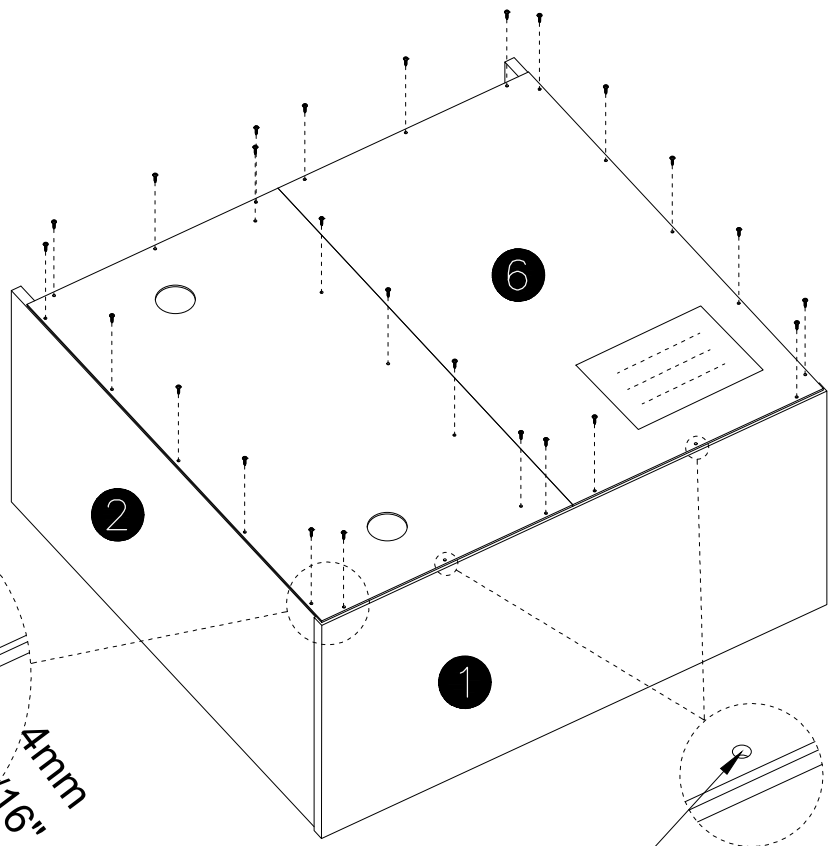
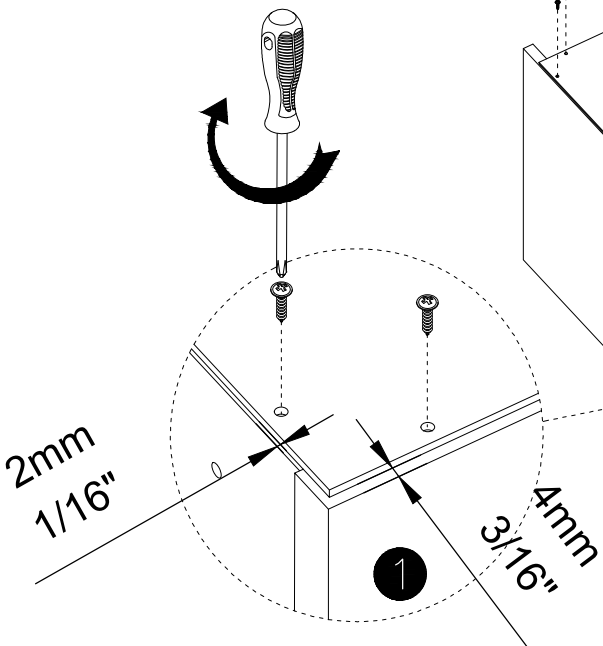
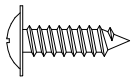


1-1/2" Screw



# STEP 8

N x25pcs

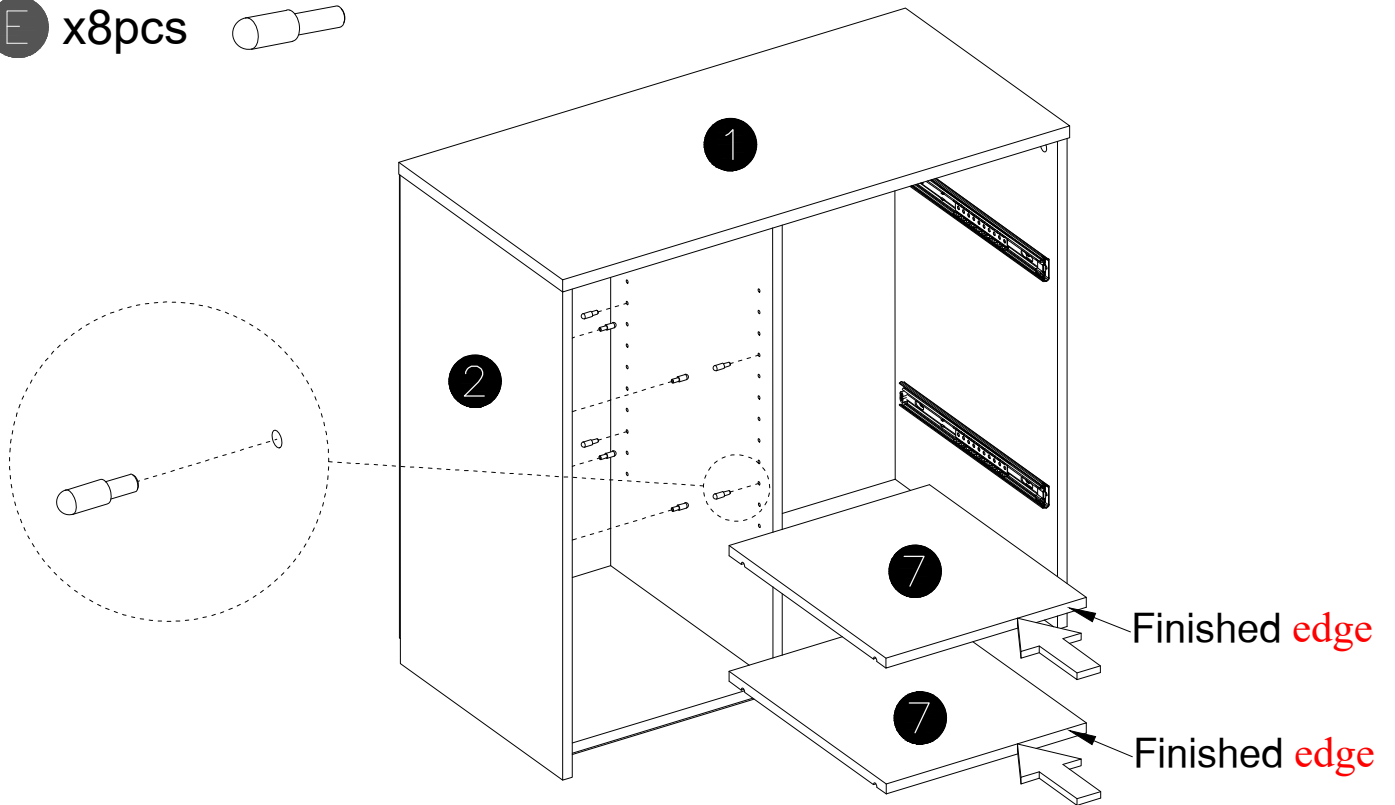


These holes NO SCREW

## STEP 9

E x8pcs 

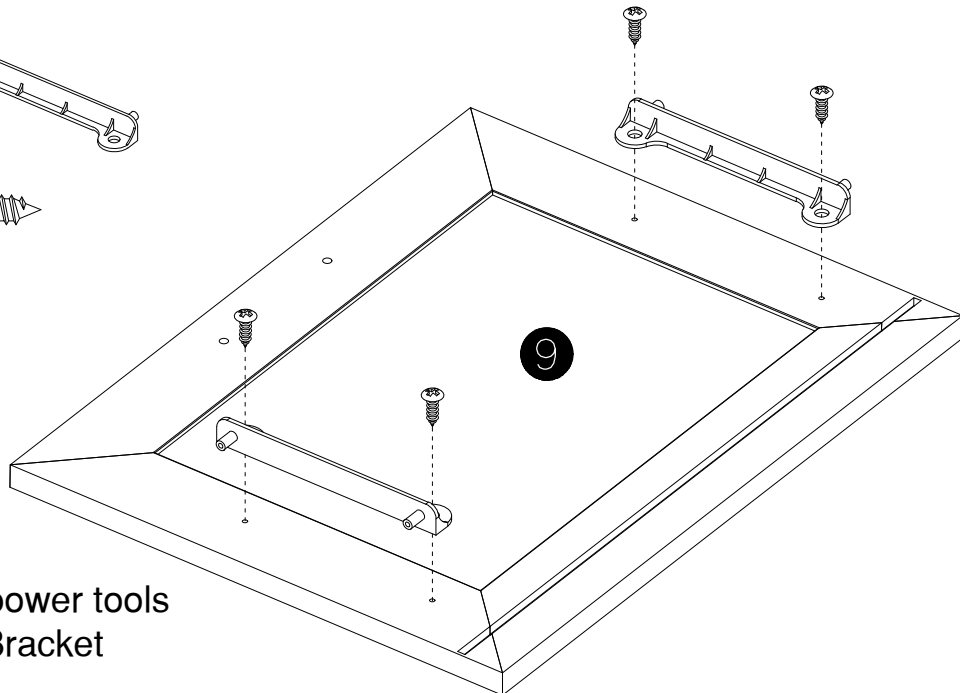
With assistant carefully stand unit up.



## STEP 10

D x4pcs 

O x8pcs 



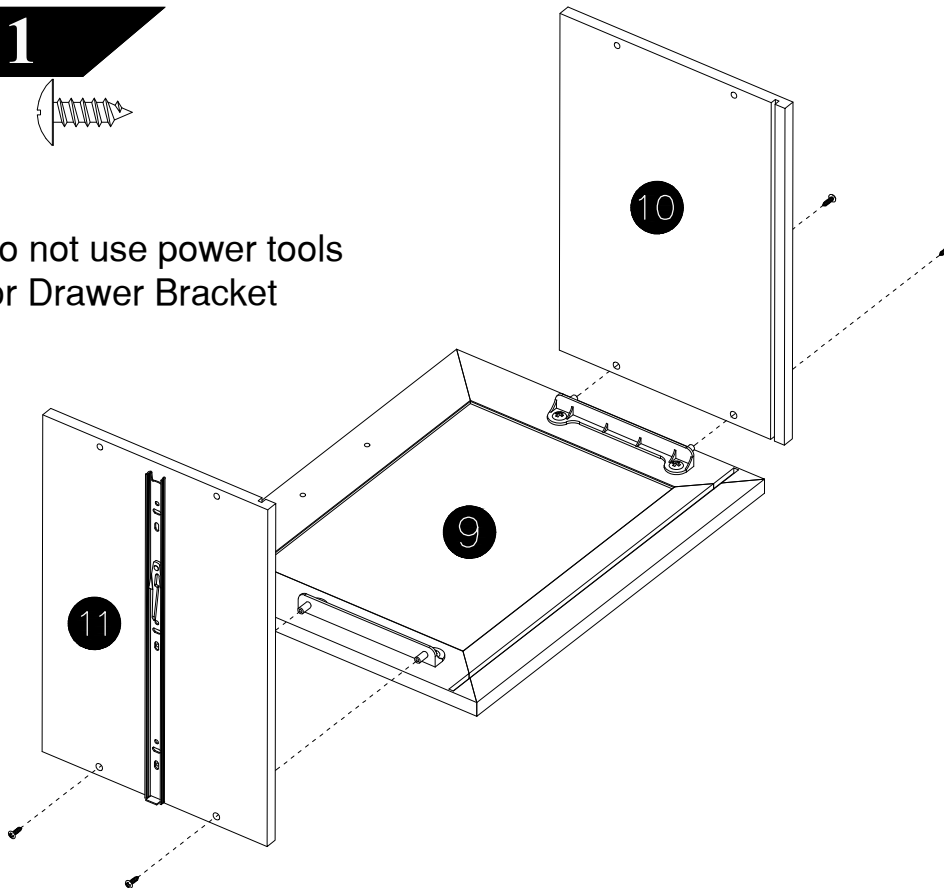
Do not use power tools  
for Drawer Bracket

x2

# STEP 11

P x8pcs 

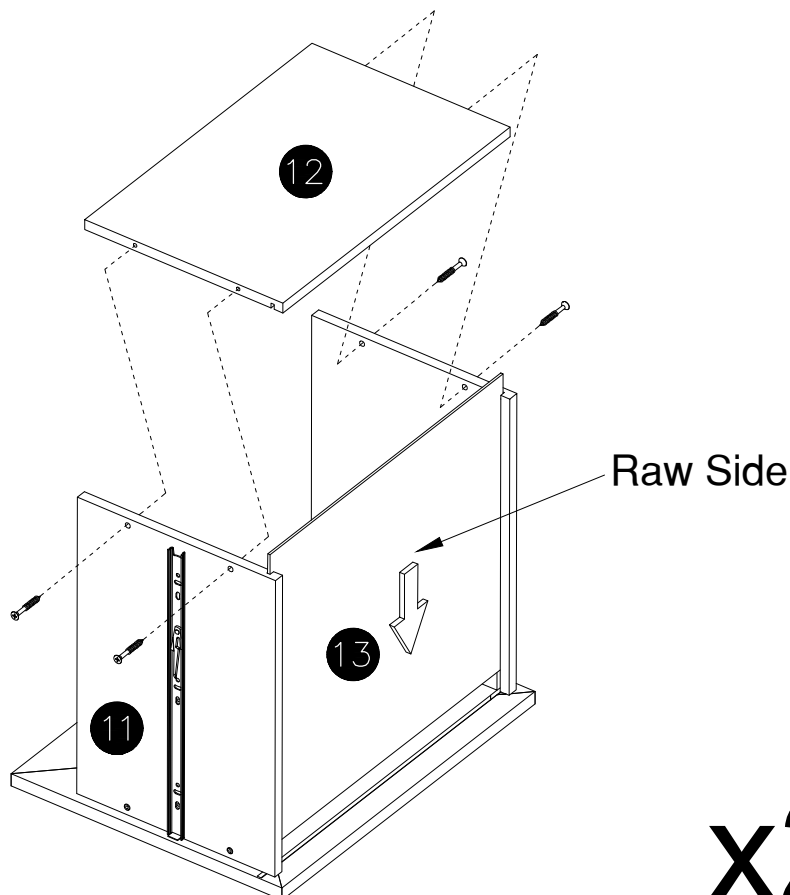
Do not use power tools  
for Drawer Bracket



x2

# STEP 12

L x8pcs 



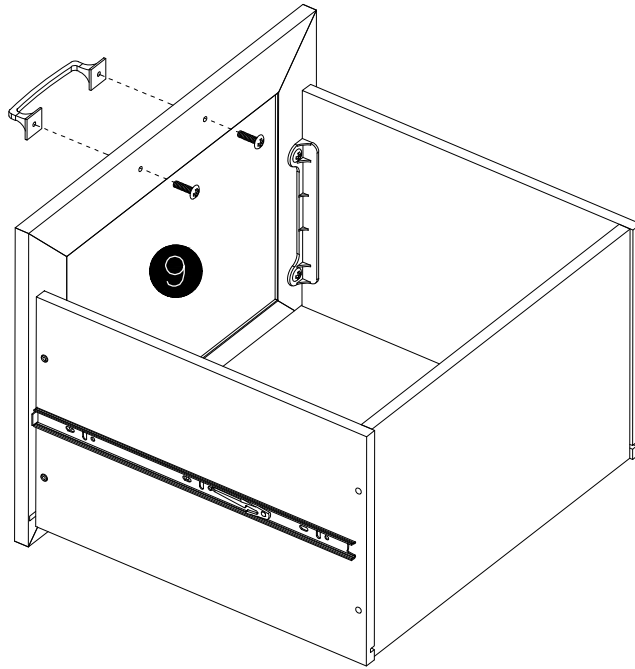
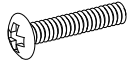
x2

## STEP 13

F x2pcs



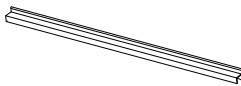
G x4pcs



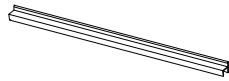
x2

## STEP 14

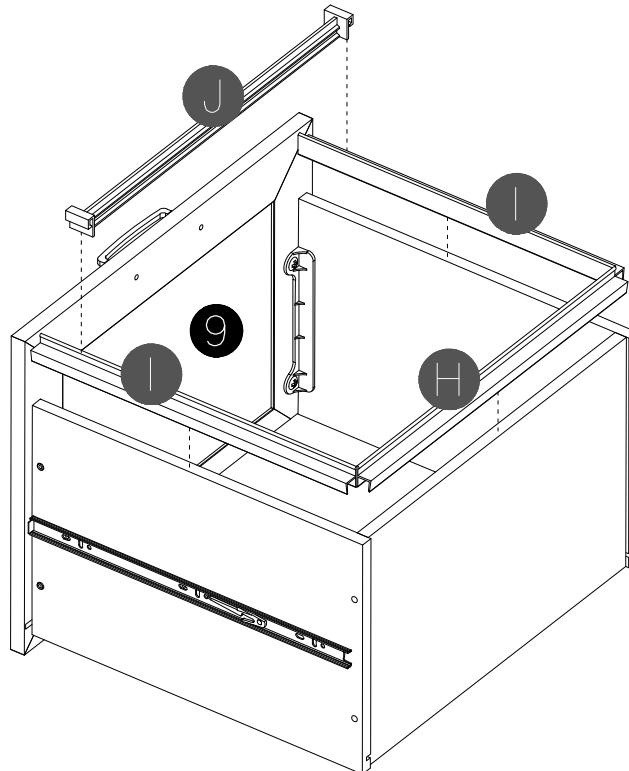
H x2pcs



I x4pcs



J x2pcs



x2

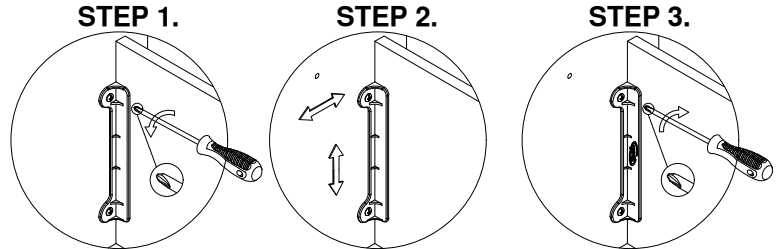
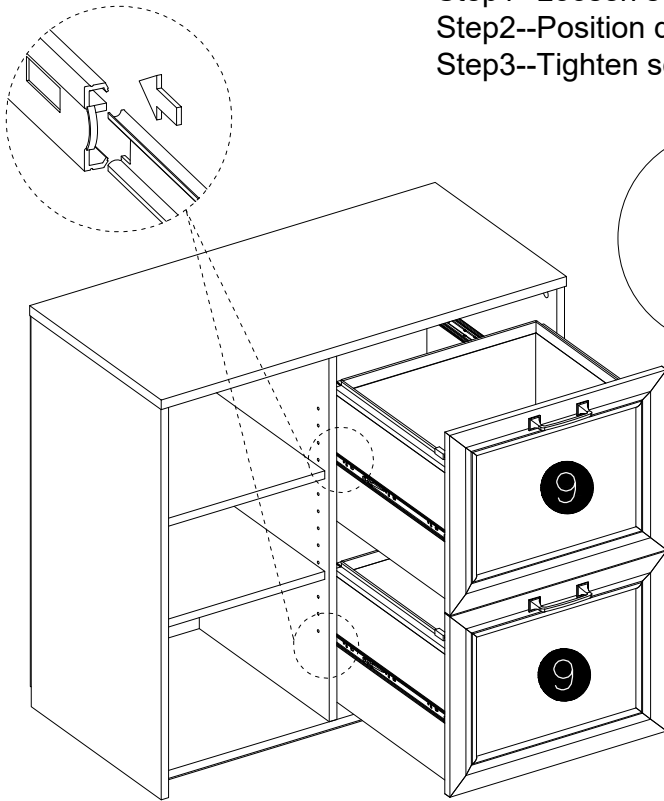
## STEP 15

- Move unit to final location.
- Adjust drawer fronts as shown below.

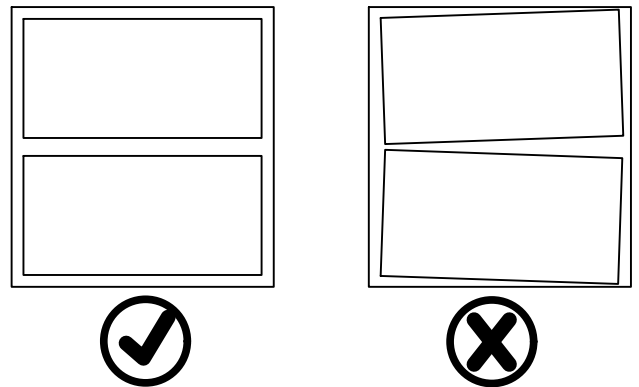
Step1--Loosen screws on back of drawer front brackets as shown.

Step2--Position drawer front as required.

Step3--Tighten screws while holding drawer front in position.

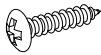


DRAWER FRONT VIEW

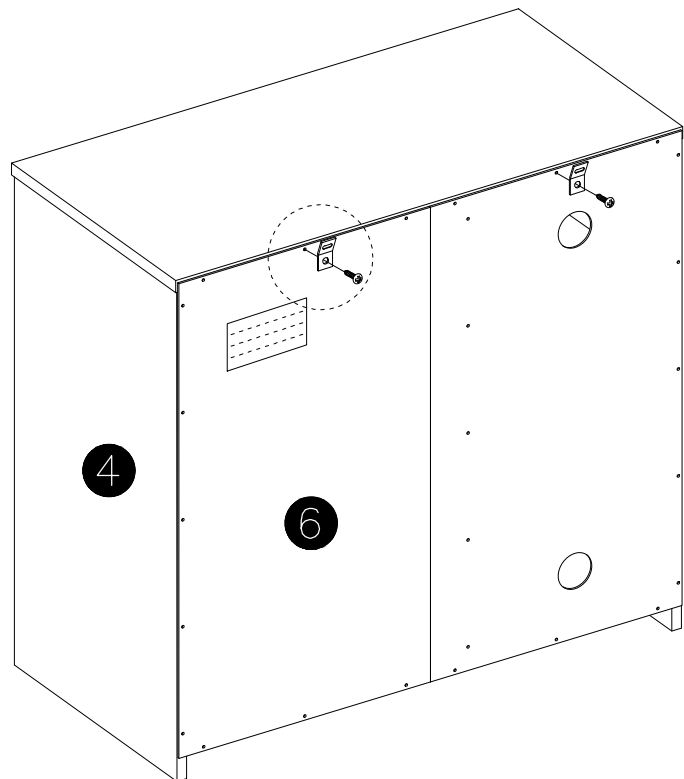
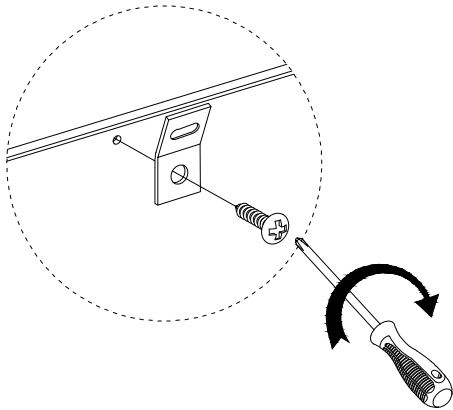
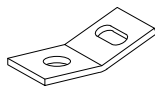


## STEP 16

U<sub>2</sub> x2pcs

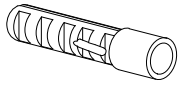


U<sub>3</sub> x2pcs

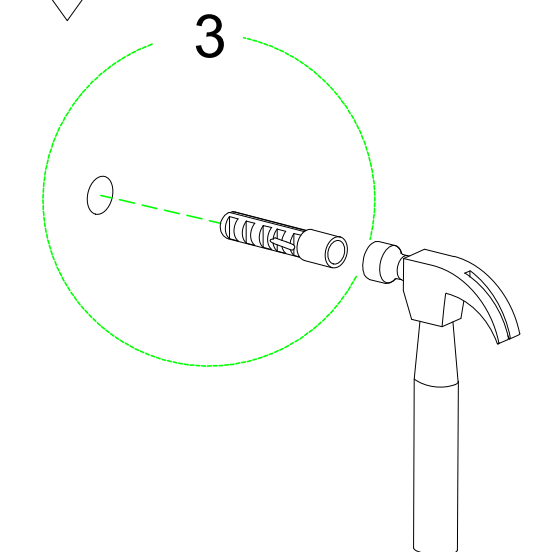
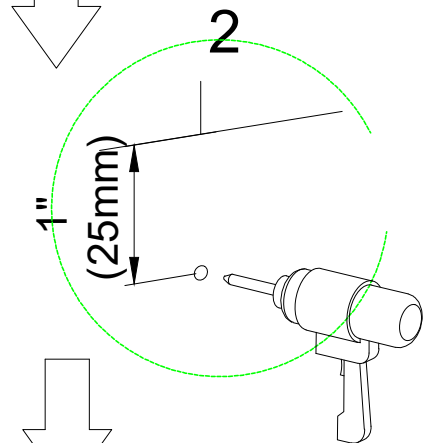
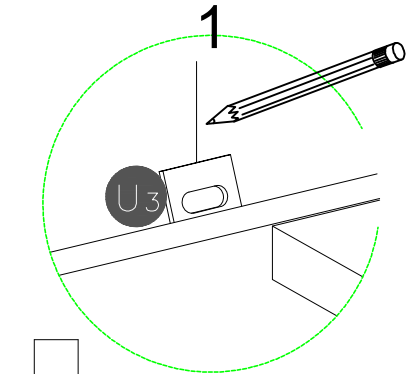
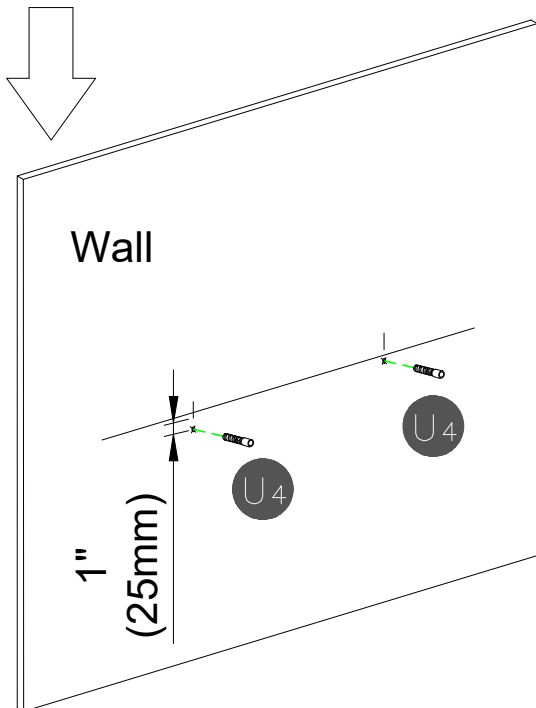
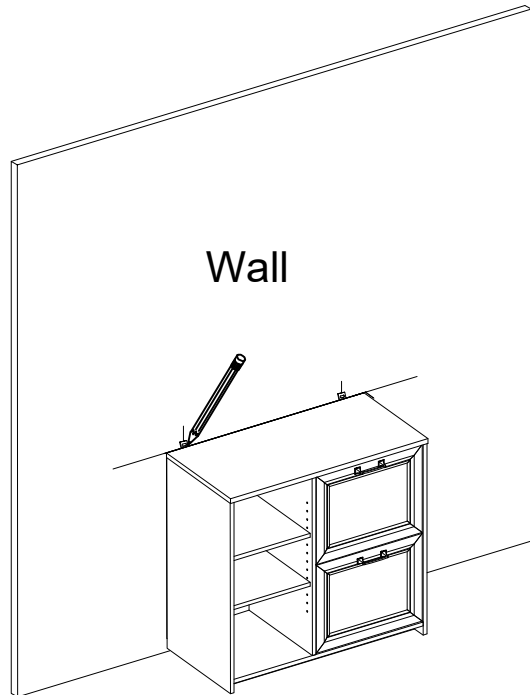


# STEP 17

U<sub>4</sub> x2pcs



1. Place unit in desired location.
2. Mark stud location on the wall, 1" below top and side of unit.
3. Drill 5/16" hole 2" deep at marks on the wall.

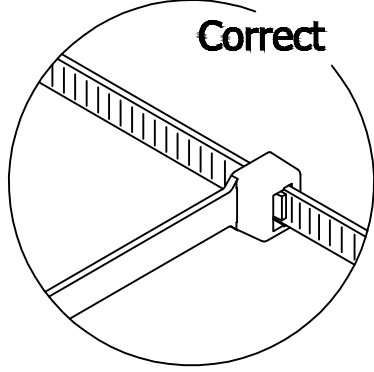
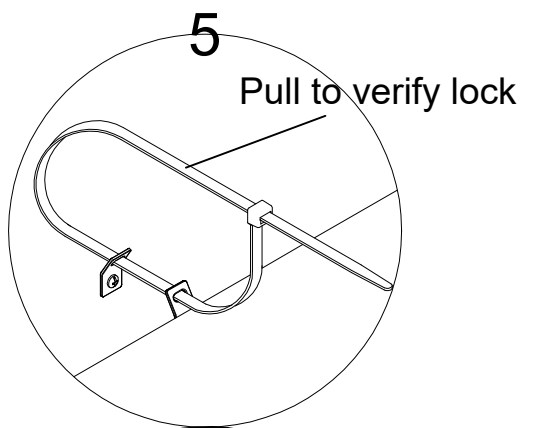
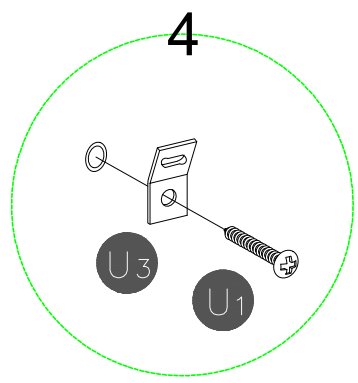
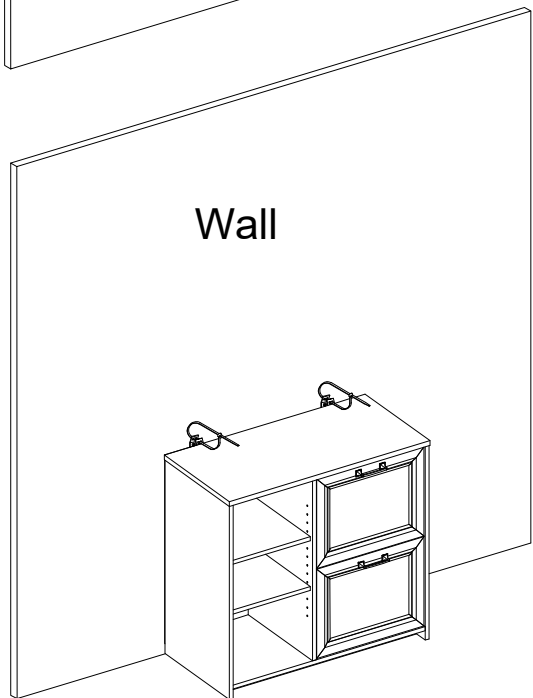
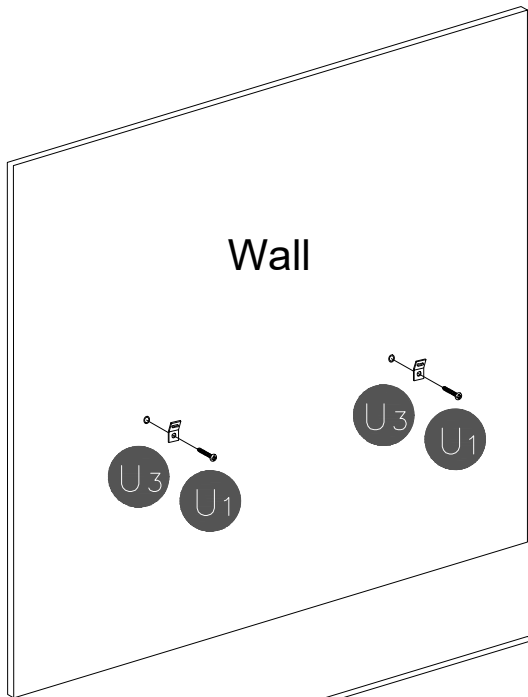


# STEP 18

U<sub>1</sub> x2pcs 

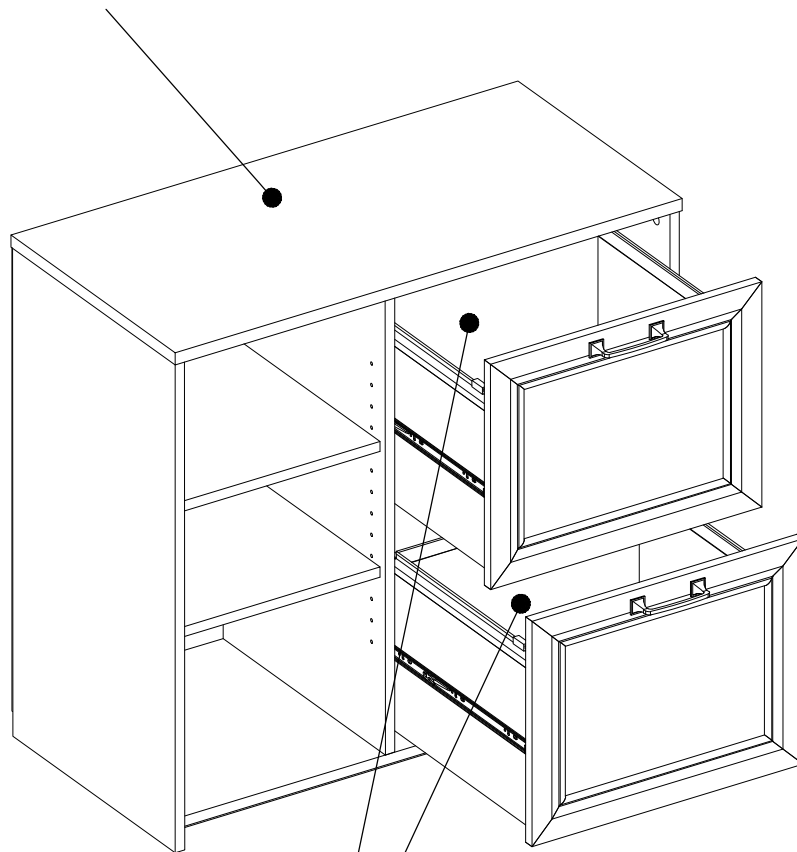
U<sub>3</sub> x2pcs 

U<sub>5</sub> x2pcs 



# Maximum weight capacities

MAXIMUM WEIGHT: 200 LBS (91 KG)



MAXIMUM WEIGHT: 50 LBS (23 KG)

# **Bestsign International Inc.**

900 Canada Ct, City of Industry, CA 91748

Tel: (626) 363-2901 Fax: (626) 363-2914

## **Furniture Care & Cleaning Instructions**

- Do not expose the furniture to strong sunlight, which causes discoloration and shorten the product lifetime.
- Do not expose the furniture to extreme heat, cold, or humidity, which may cause wood to swell or warp.
- Do not leave the furniture wet with beads of water standing on the furniture.
- Wipe spills with a clean dry cloth. Do not use chemicals or abrasives for cleaning!
- **TAKE NOTE: THE BOLTS MAY SLIGHTLY LOOSEN OVER TIME. IF YOUR FURNITURE FEELS "WOBBLY" OR LOOSE, PLEASE RE-TIGHTEN BOLTS.**

## **Wood Furniture Care & Cleaning Instructions**

To maintain the quality of your wood furniture, do not expose it to direct sunlight or excessive temperatures; extreme changes in humidity can cause warping. Always use coasters, pads, cloth or felt to protect the furniture surface. Use protective mats under hot dishes. Use a protective pad when writing with a pen. Lift objects rather than dragging them over the furniture surface. Blot spills immediately with a clean cloth. Dust often using a soft, clean, lint-free cloth. Avoid harsh fabrics, paper towels or disposable dusting towels as they may scratch the surface. Use a non-silicone and non-wax polish; do not use soap, water or wax.

## **FURNITURE WARRANTIES**

90 days warranty on all of our Indoor furniture from date of delivery against manufacturer defects and structural failure under normal use and conditions; 90 days warranty from date of delivery against damage of parts. Parts will be replaced, repaired or refinished in the original color and style, if available; a similar color and style will be offered if the original has been discontinued.

### **IMPORTANT LIMITATIONS**

Please note that our warranties do not cover failure due to any repairs or modifications to the product after purchase, accidental damage, abuse, misuse, commercial use, or normal wear and tear, including: fading, scratched or chipped finishes, weathering under normal weather conditions, staining or discoloration. The term "lifetime" as used in this statement of warranties shall mean a period of no longer than 30 days from the date of delivery of any item covered by a 90 days warranty . The limited warranties described above are extended to the original purchaser of the product only.

Any defects or missing parts must be reported within the 1st 30 days of receipt of the merchandise.

## What is Proposition 65?

Proposition 65 is a California law that requires warning labels on products that may contain one of more than 800-plus chemicals or ingredients that the California Office of Environmental Health Hazard Assessment(OEHHA) has deemed to cause cancer or other reproductive toxicity. chemicals and elements on this list include wood dust , brass , and other everyday substances, which can be found in very common household items, such as : lamps , tableware , jewelry , crystal glasses , electric cords , beauty products , automobiles , and furniture.

## Why Did I Find a Proposition 65 Warning on My Home Goods Product?

We include Proposition 65 warnings on all of our products because there is always a chance that one of the 800-plus common chemicals and ingredients listed under this law could potentially be on our furniture or packing materials. We risk large fines under this law , if we don't include this warning.

## Should I worry?

We realize you may be worried finding this warning on our products , but we want to reassure you that the hazardous exposure limits for any of these chemicals have never been found on furniture products that we've shipped to our customers. Additionally, this warning label is very common and can be found on almost every piece of furniture sold in the state of California.

## Just How Common Are Proposition 65 Warnings?

Proposition 65 warnings have become so common in California that it is hard to take a trip to local bank, grocery store , or restaurant without finding at least one warning. In fact, even the Disney Land Resort has a Proposition 65 warning:

