

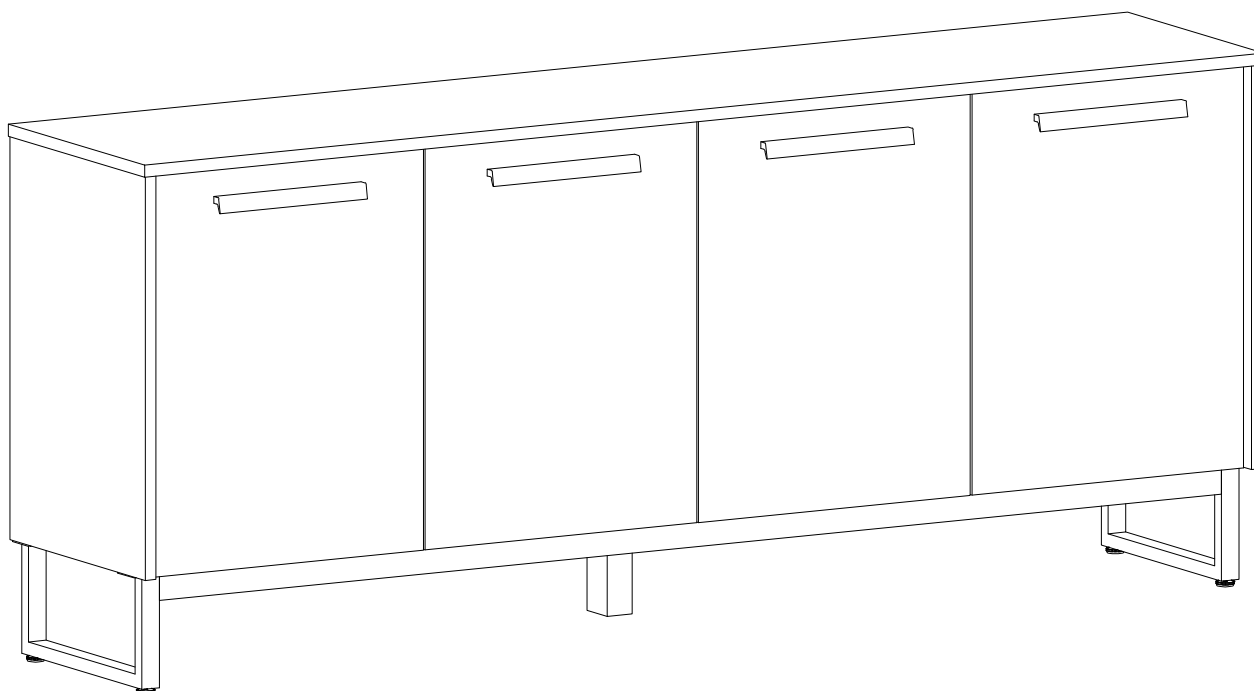


ASSEMBLY INSTRUCTIONS

ITEM#: AK4200

Important Safety Instructions:

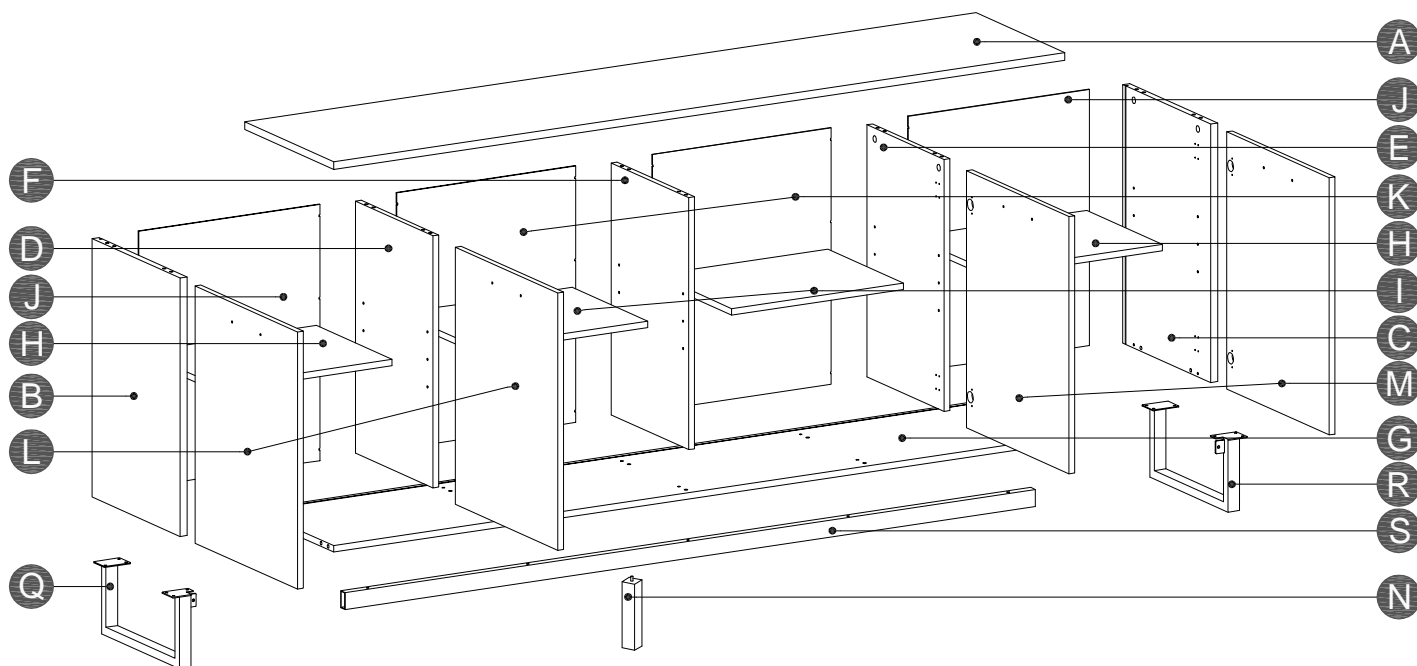
- Please read all instructions before beginning assembly
- Please make sure receive all the parcels to start the assembly
- For your safety and convenience, assembly by two people is recommended
- Use the parts and hardware lists to identify and separate each of the components included
- Save all packing materials until assembly is completed to avoid the accidental discarding of smaller parts or hardware




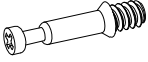


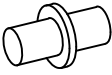

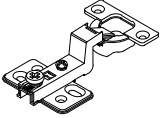
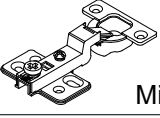


THANK YOU FOR PURCHASING

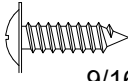
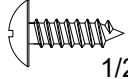
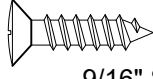
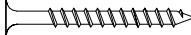
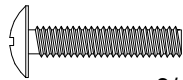
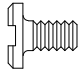
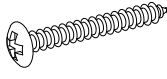

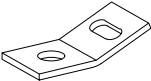
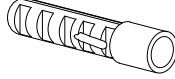

PARTS LIST

A X1	B X1	C X1	D X1	E X1
F X1	G X1	H X2	I X2	J X2
K X2	L X2	M X2	N X1	Q X1
R X1	S X1			



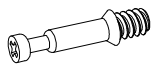
HARDWARE LIST

Name	Part	Qty.	Spare
A1		14	1
B1		14	1
C1		10	1
D1		20	1
E1		16	
F1		4	
H1	 Side Door	4	
I1	 Middle Door	4	
J1		4	
K1		1	

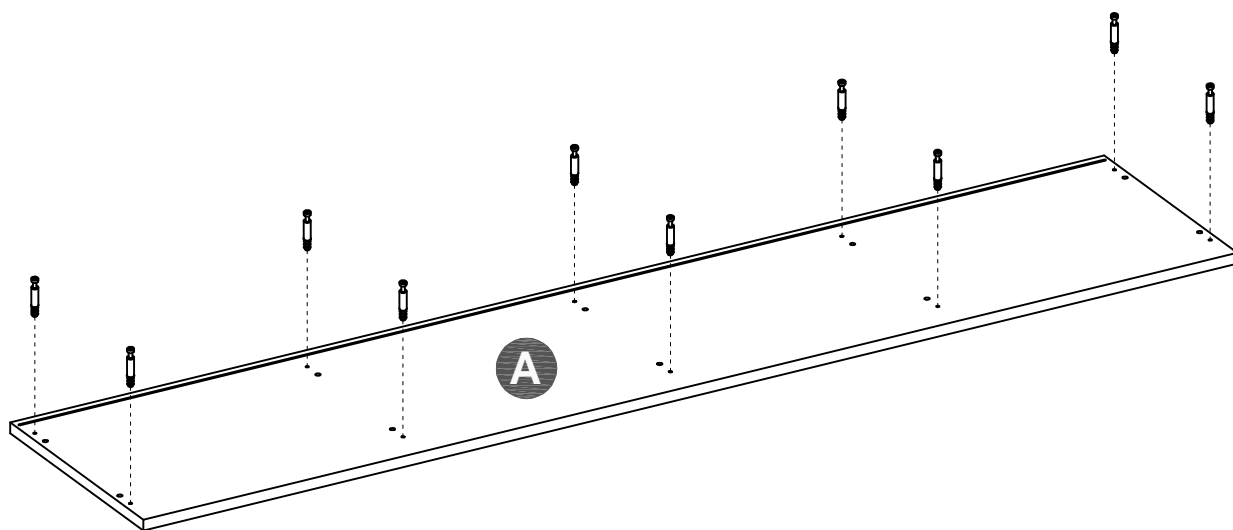
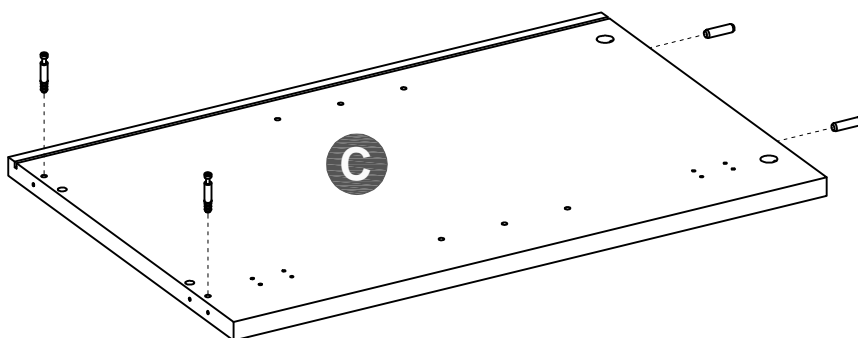
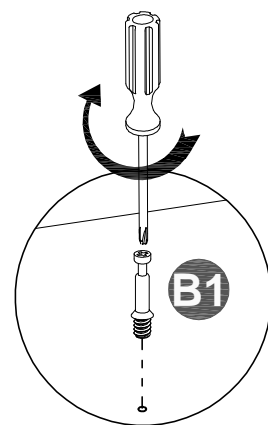
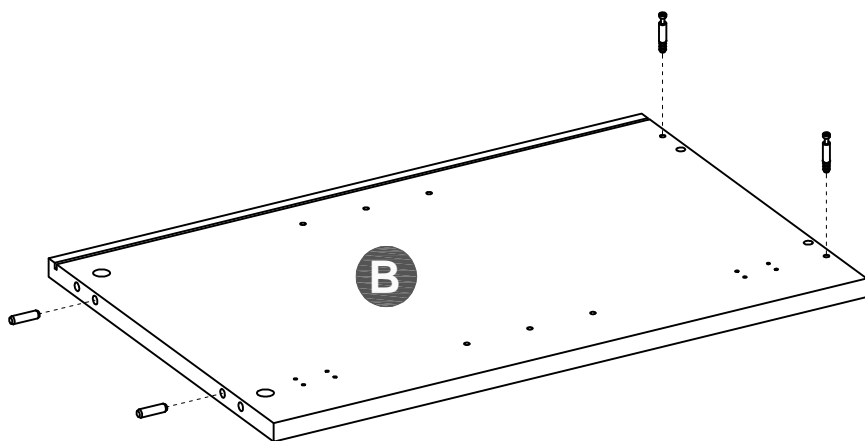
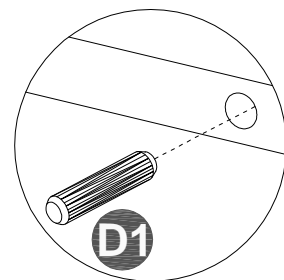
Name	Part	Qty.	Spare
S1	 9/16" Screw	12	1
S2	 1/2" Screw	12	1
S3	 9/16" Screw	48	2
S6	 2" Screw	11	1
S7	 3/4 Bolt	8	1
S8	 1/2 Bolt	2	
U1		2	
U2		2	
U3		4	
U4		2	
U5		2	

STEP 1

B1 x 14pcs

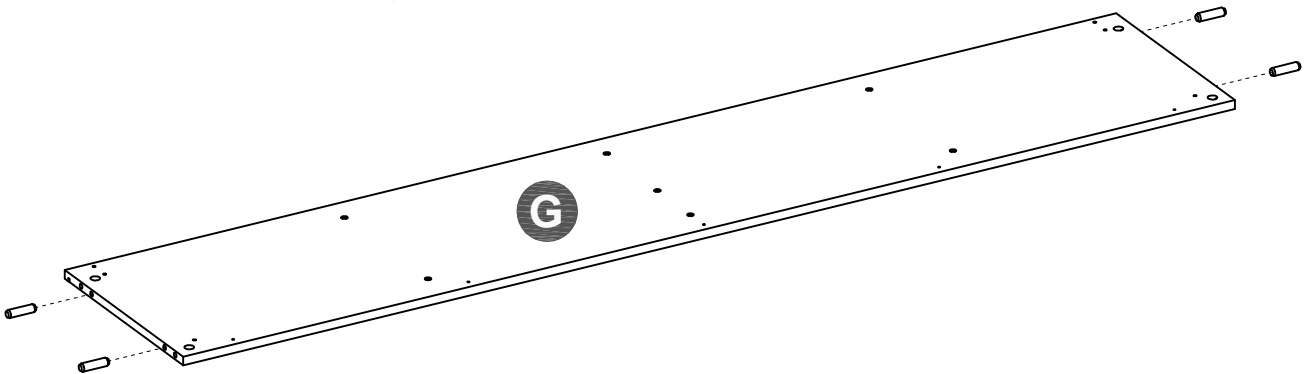
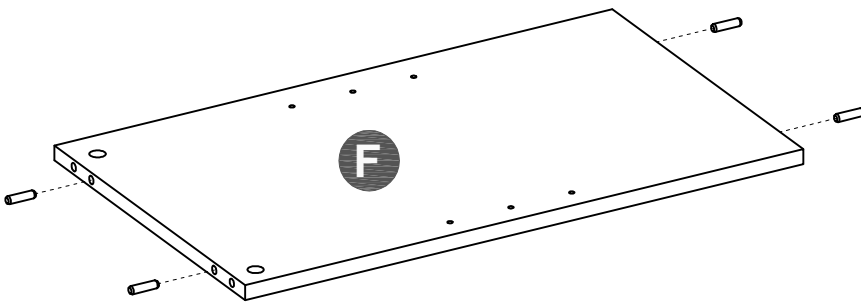
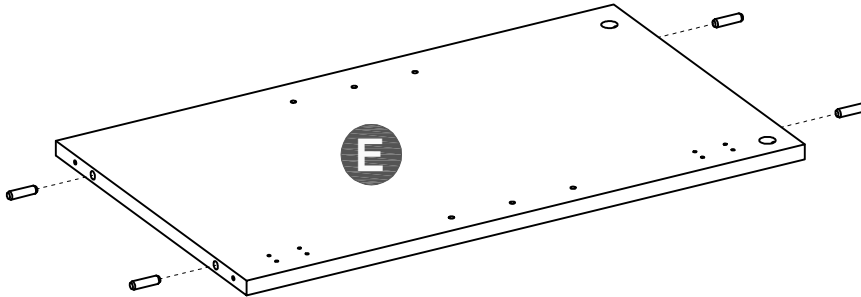
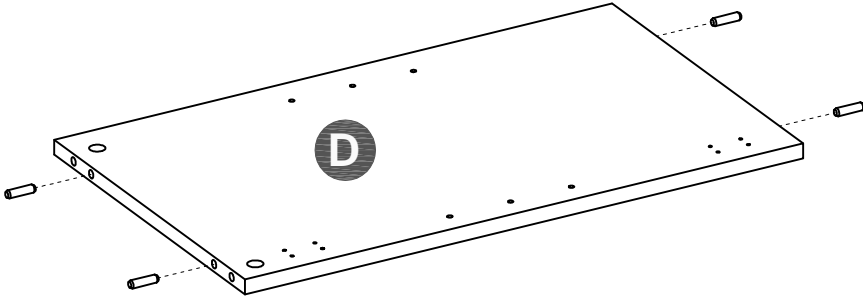
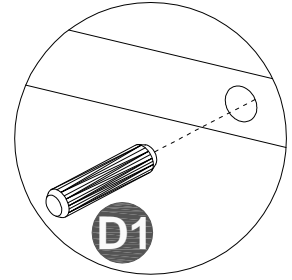


D1 x 4pcs



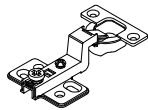
STEP 2

D1 x 16 pcs 

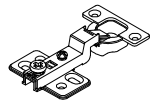


STEP 3

H1 x 4pcs



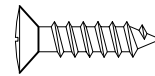
I1 x 4pcs



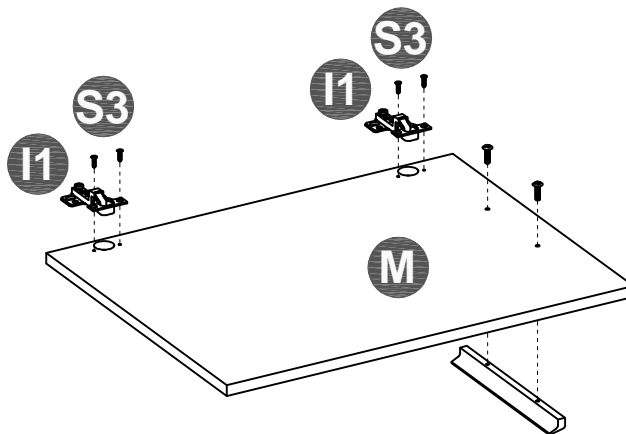
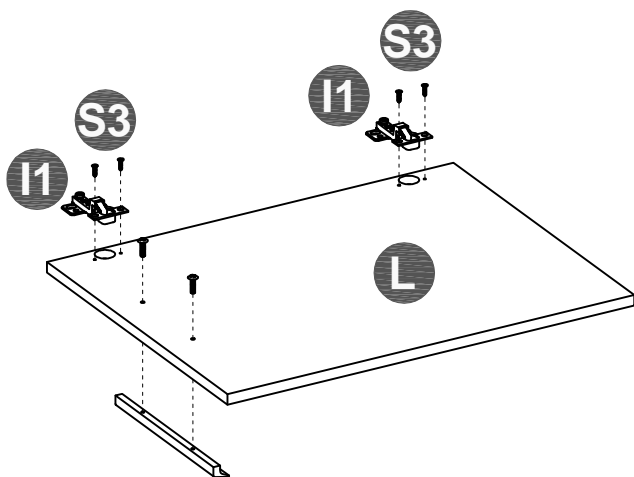
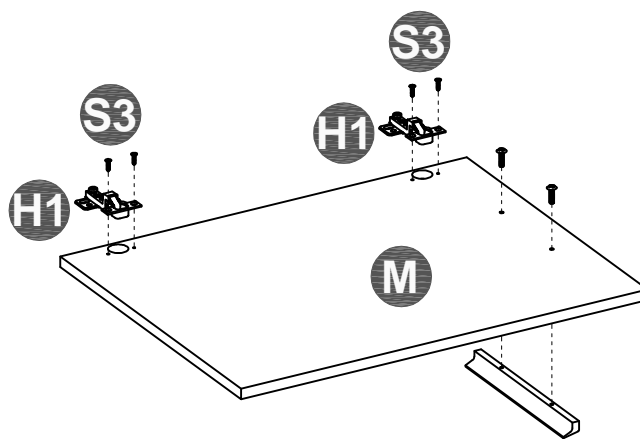
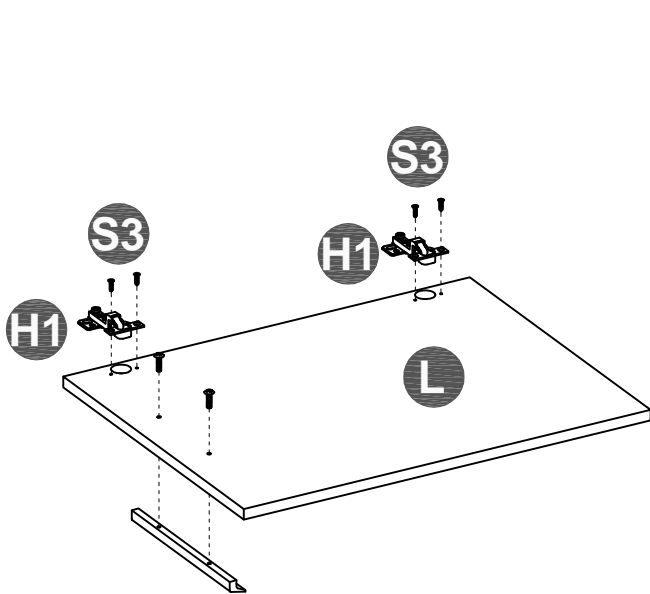
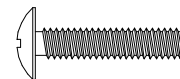
J1 x 4pcs



S3 x 16pcs

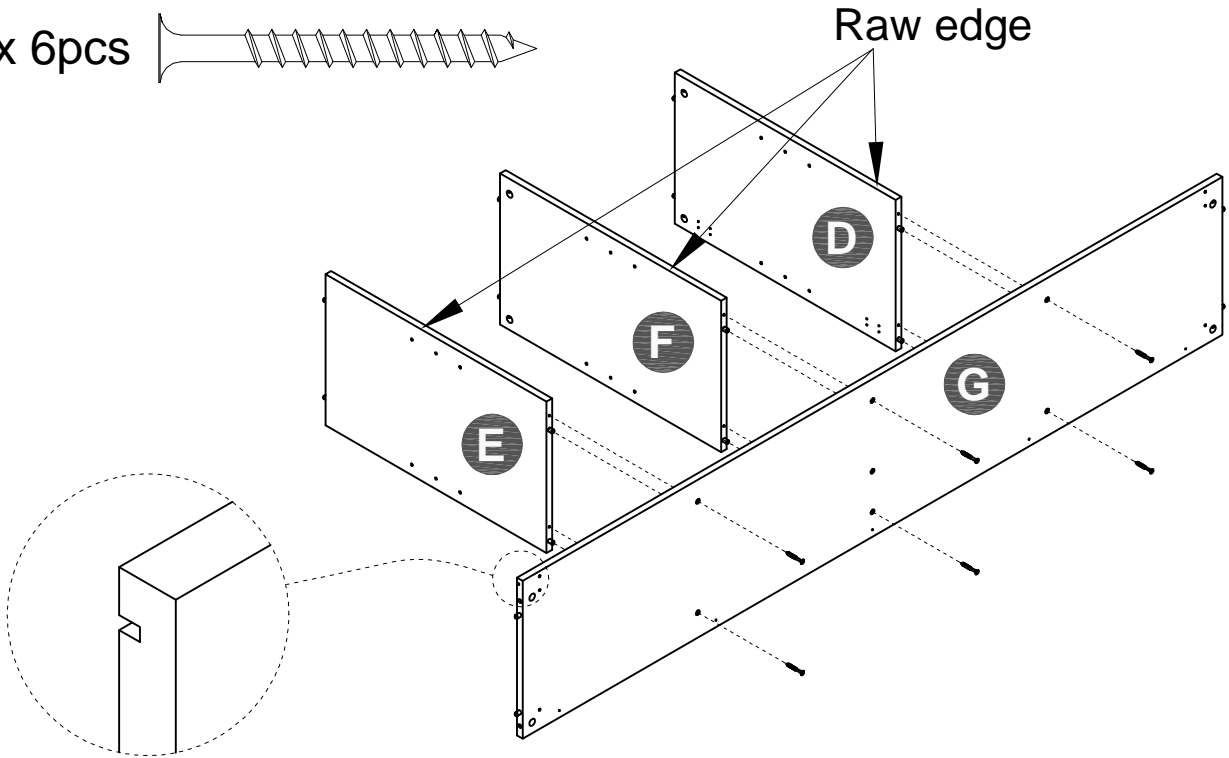
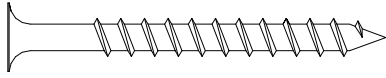


S7 x 8pcs



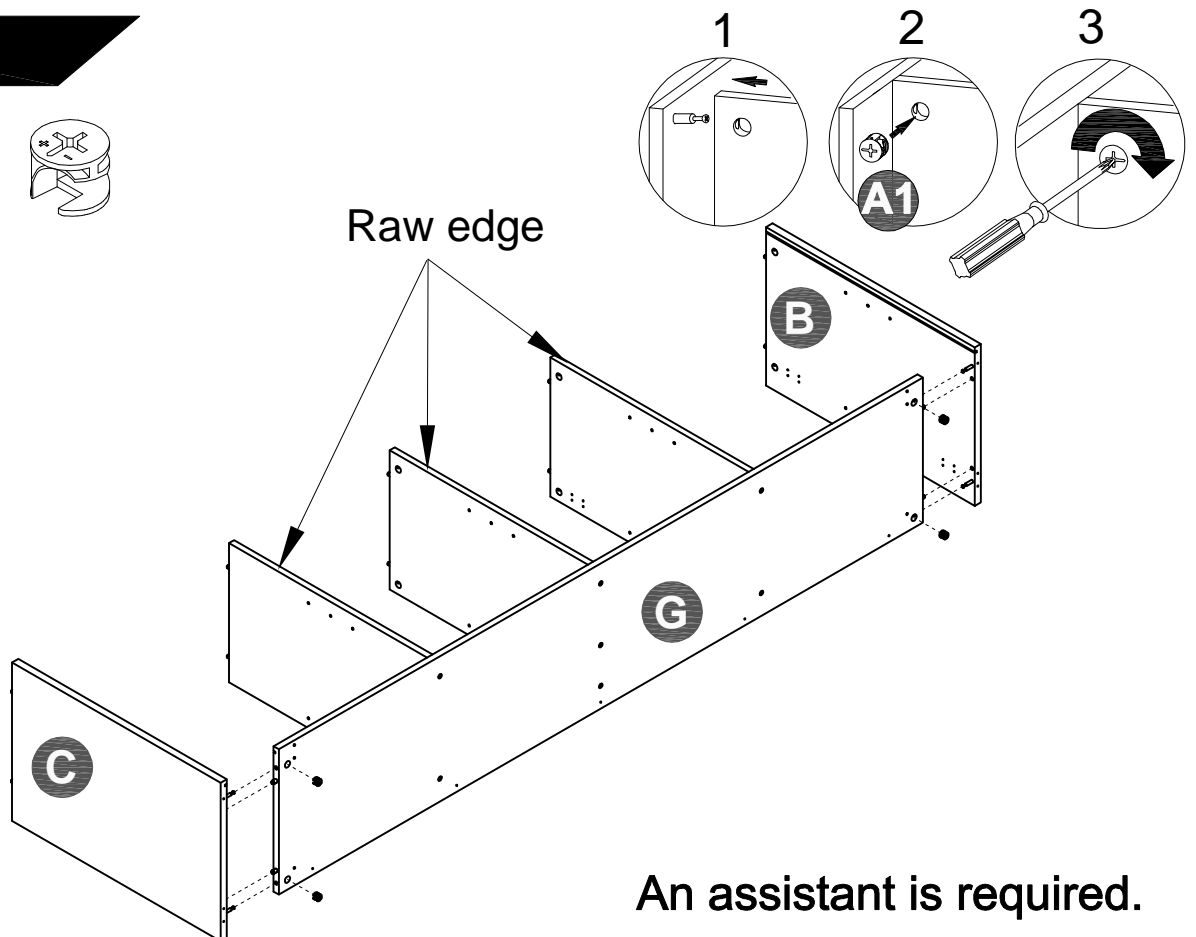
STEP 4

S6 x 6pcs



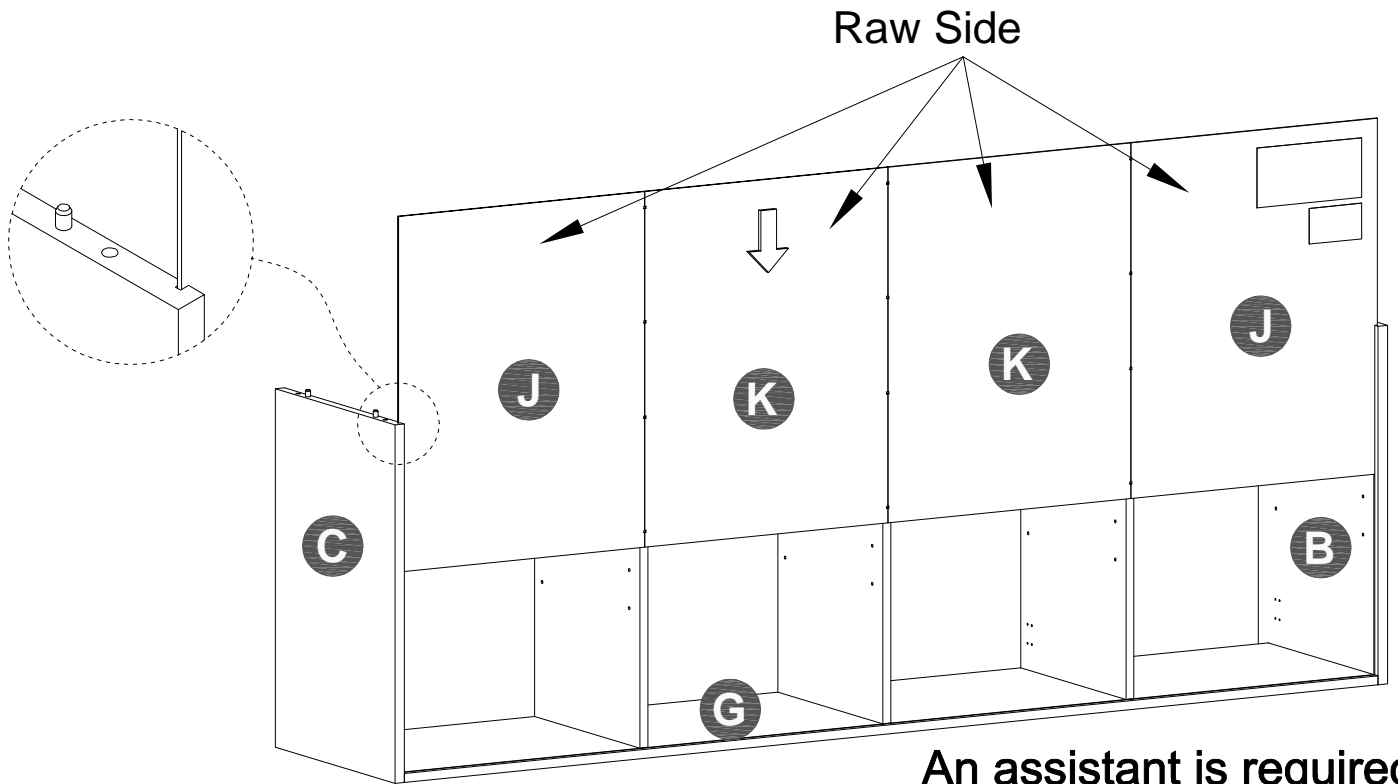
STEP 5

A1 x 4pcs




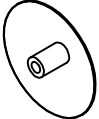
STEP 6

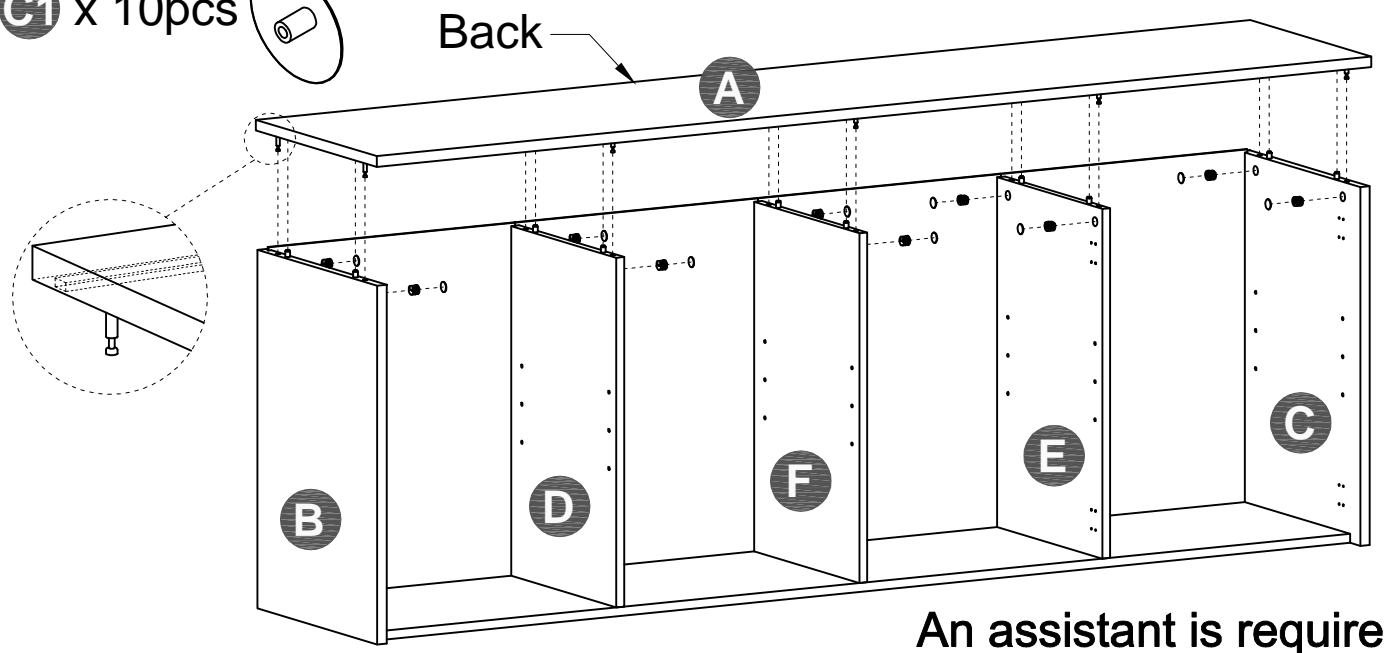
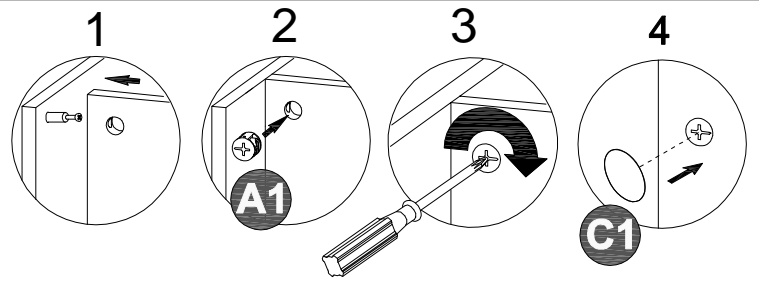
With assistant carefully stand unit up.



STEP 7

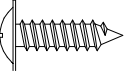
A1 x 10pcs 

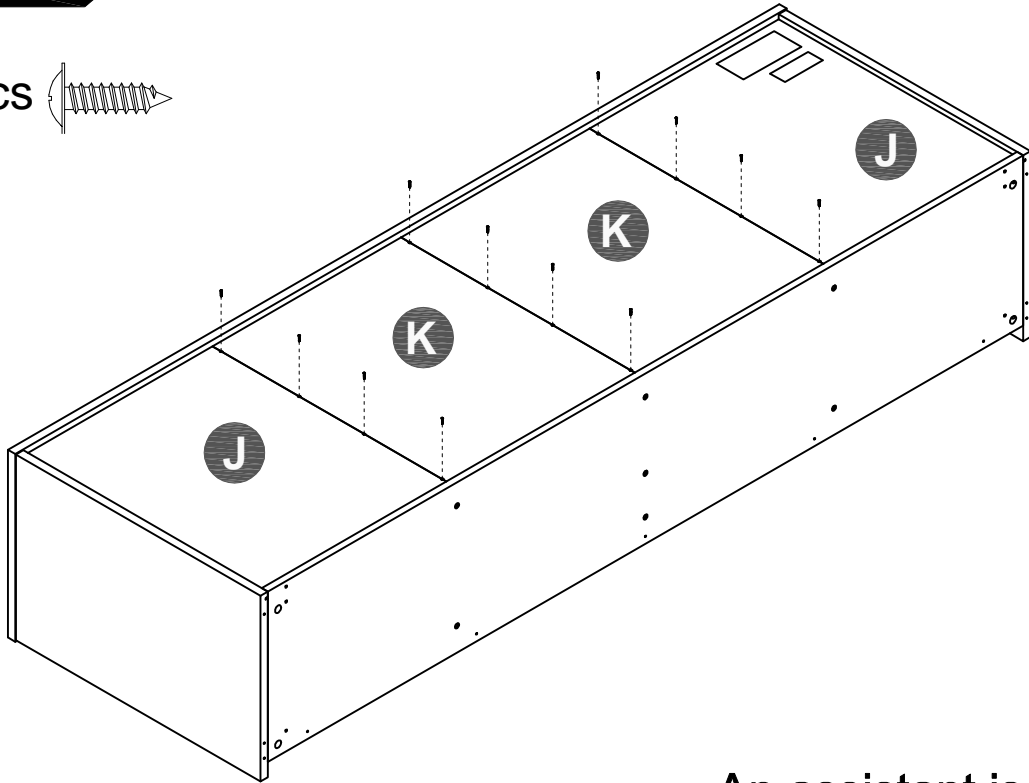
C1 x 10pcs 



STEP 8

With assistant carefully flip unit over.

S1 x 12pcs 



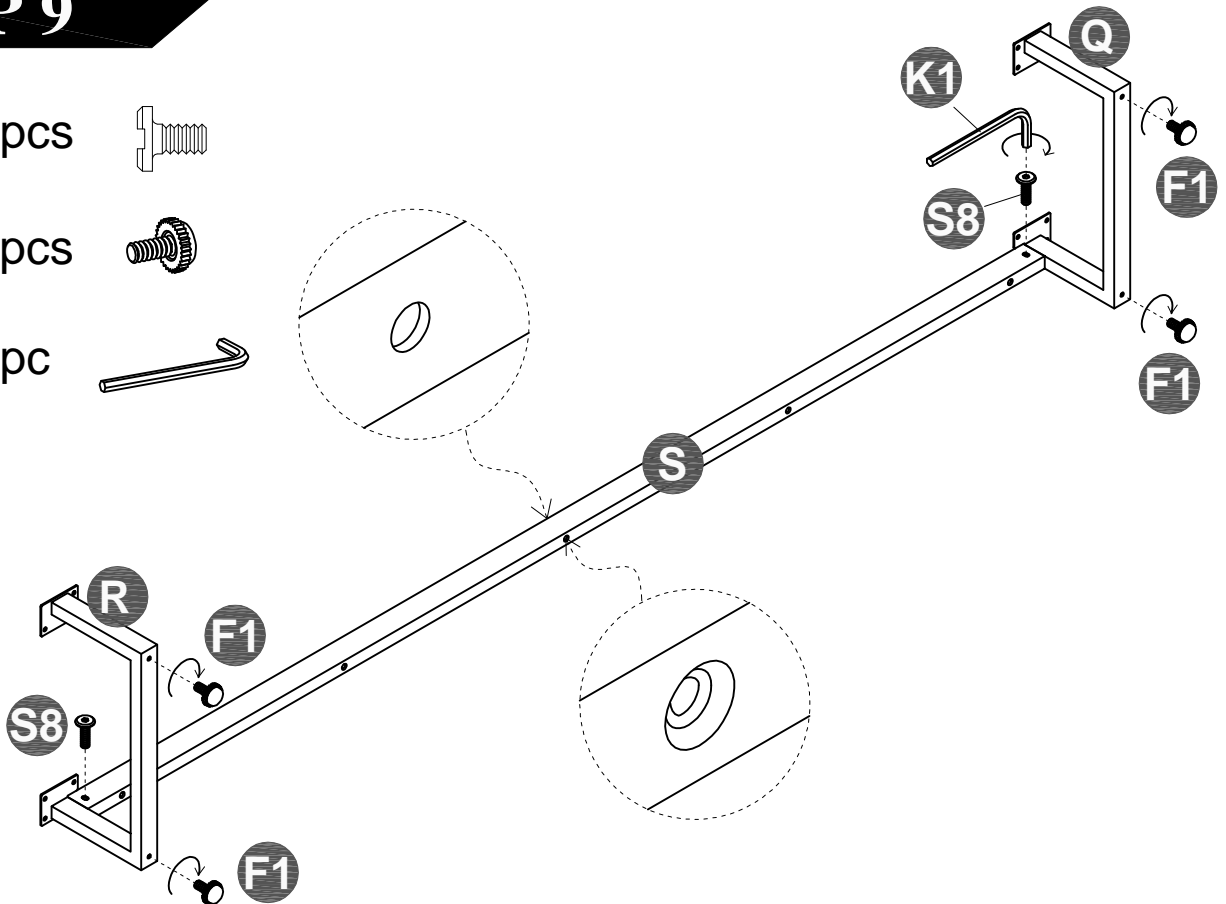
An assistant is required.

STEP 9

S8 x 2pcs 

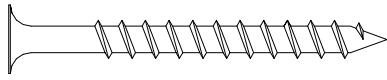
F1 x 4pcs 

K1 x 1pc 

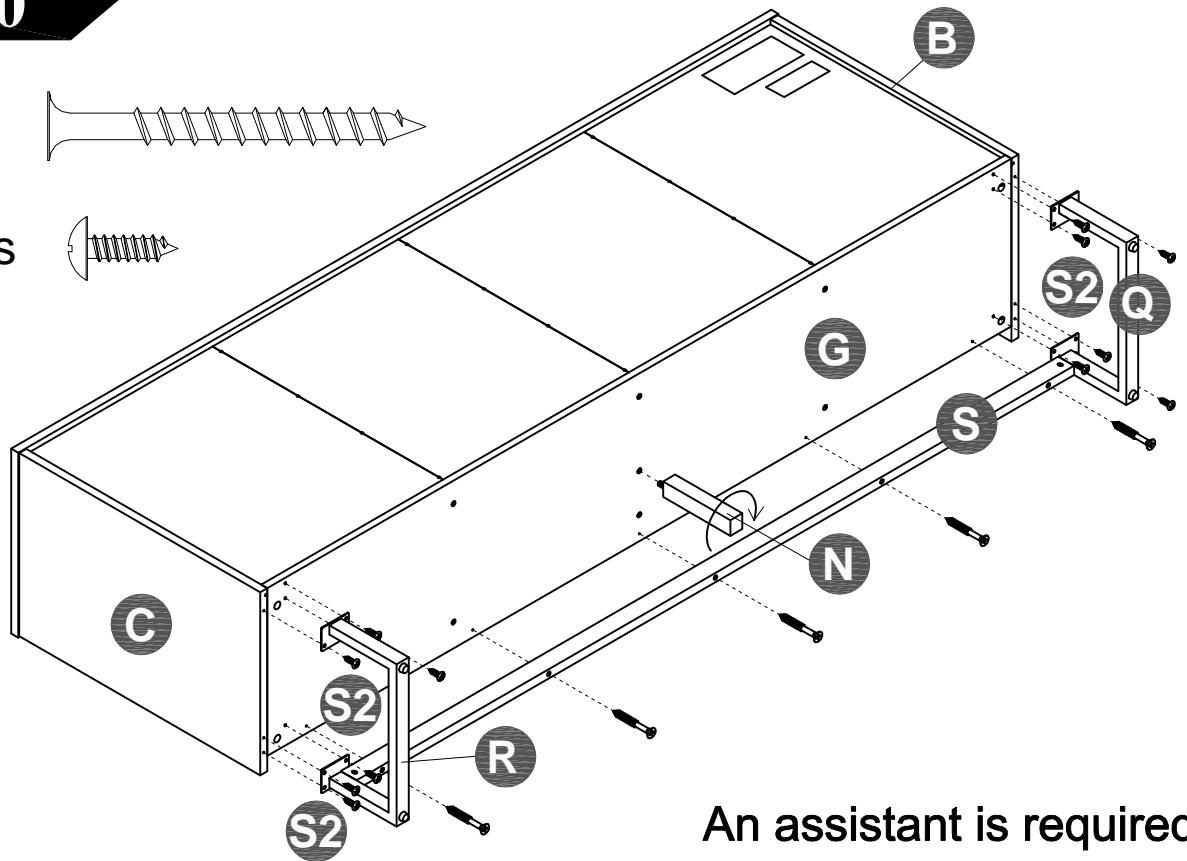
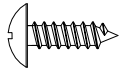


STEP 10

S6 x 5pcs



S2 x 12pcs

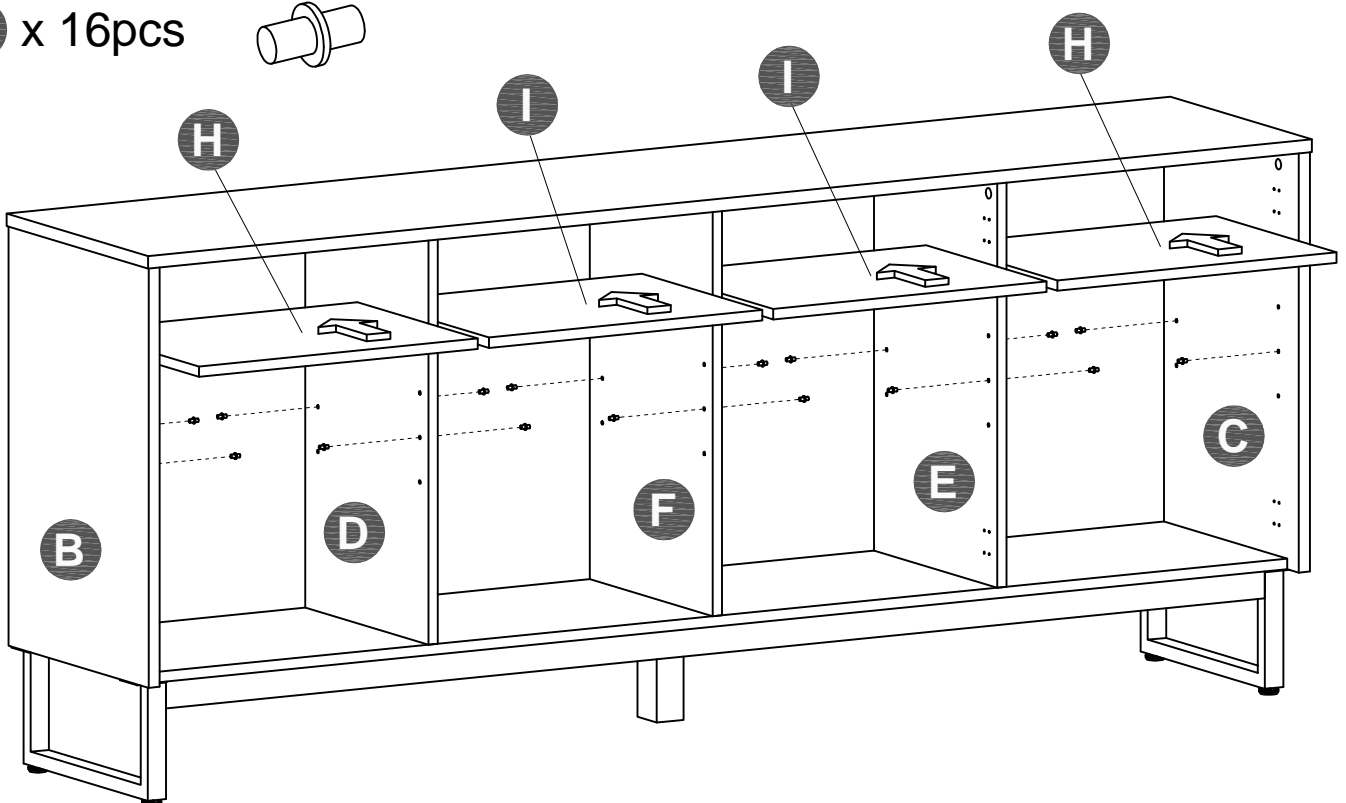
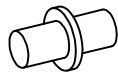


An assistant is required.

STEP 11

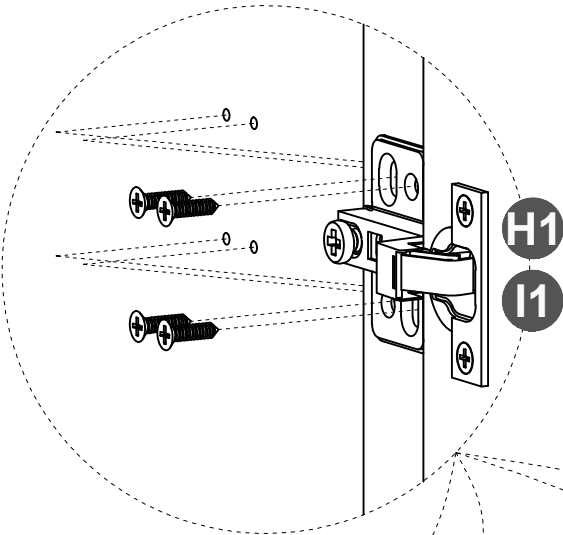
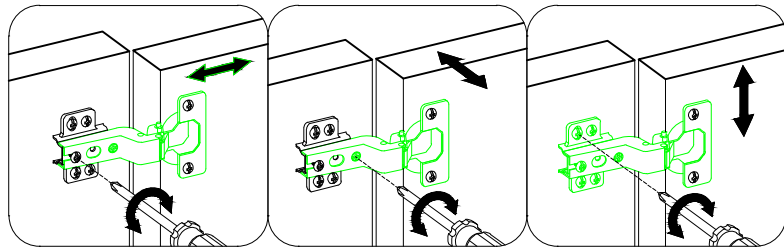
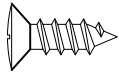
With assistant carefully stand unit up.

E1 x 16pcs



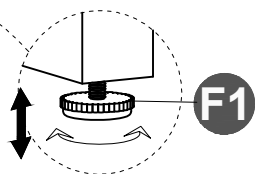
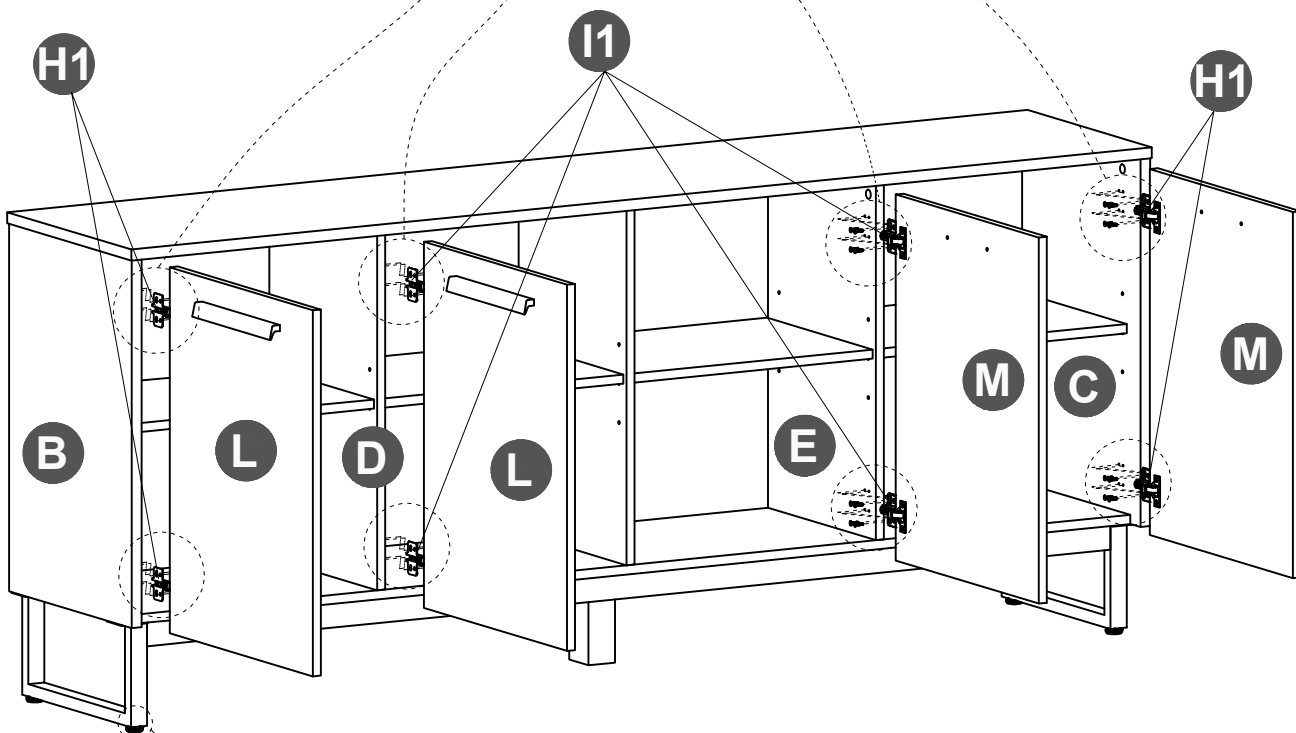
STEP 12

S3 x 32pcs



H1 Hinge for left and right side door

I1 Hinge for middle door



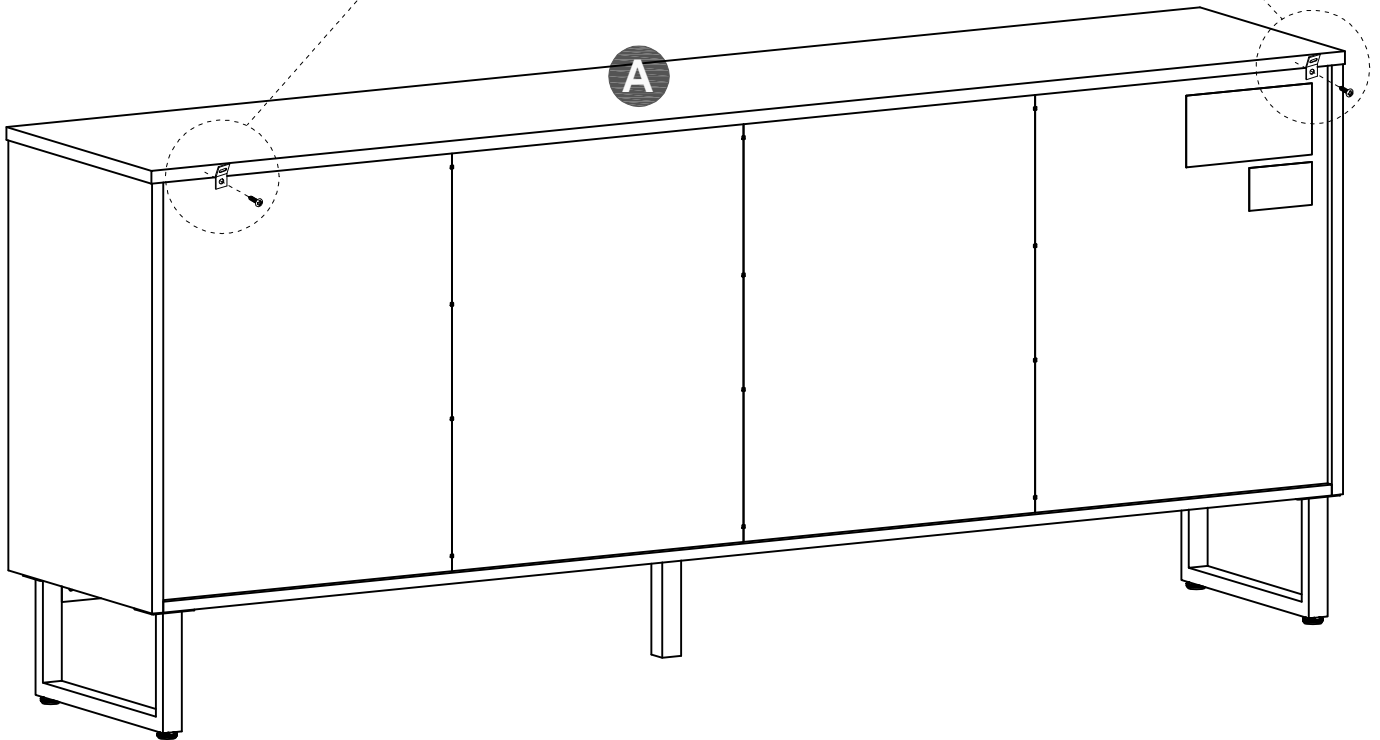
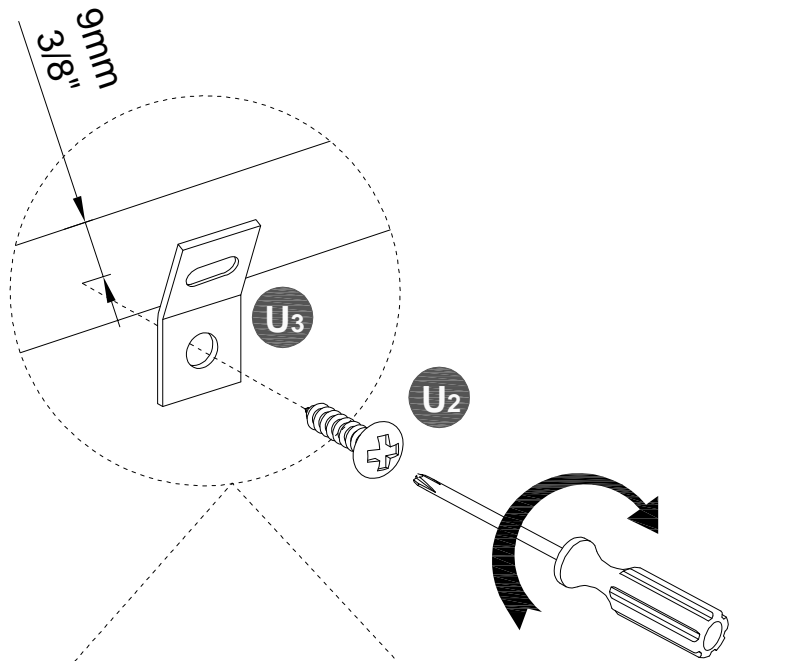
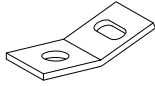
An assistant is required.

STEP 13

U₂ x 2pcs



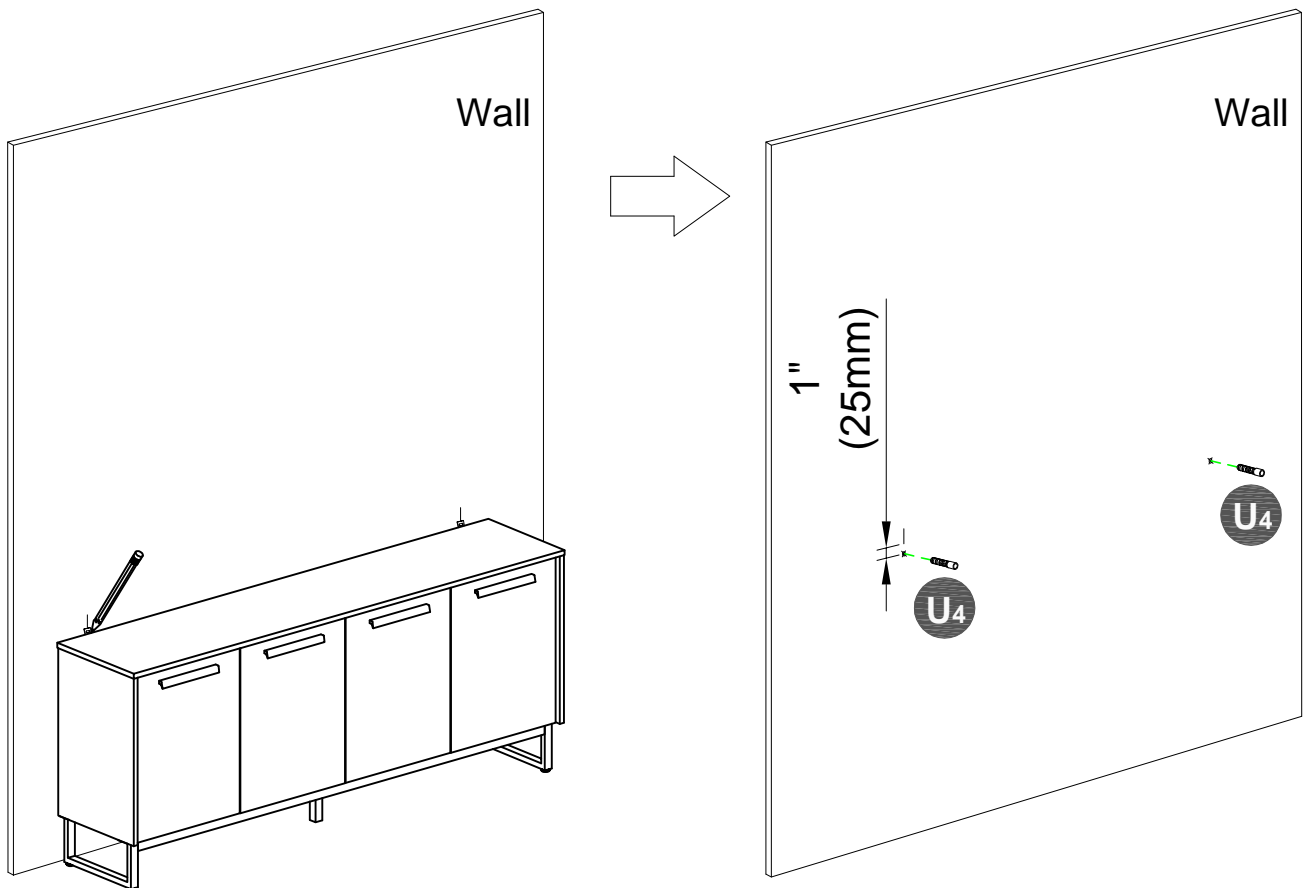
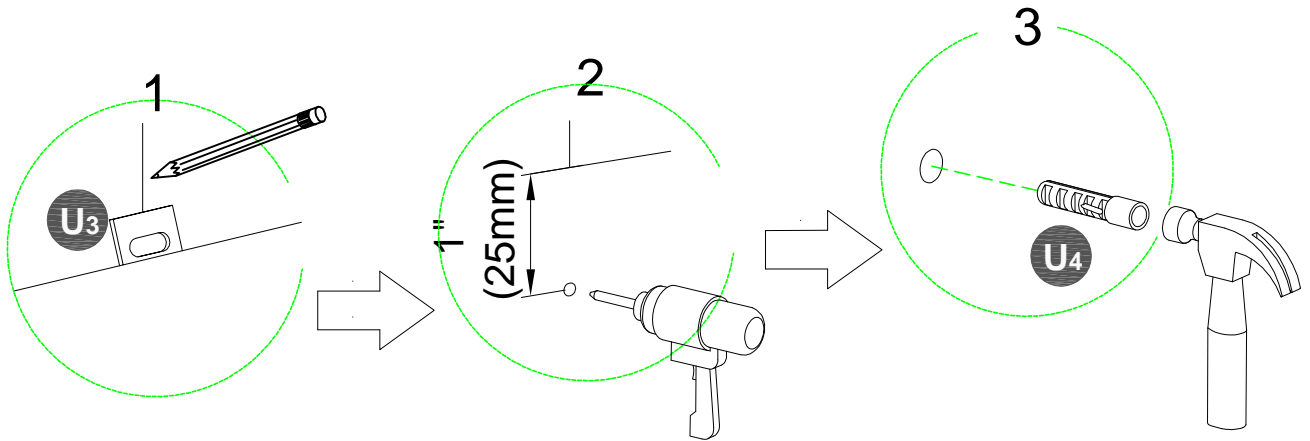
U₃ x 2pcs



STEP 14

U₄ x 2pcs 

1. Place unit in desired location.
2. Mark stud location on the wall, 1" below top and side of unit.
3. Drill 5/16" hole 2" deep at marks on the wall.

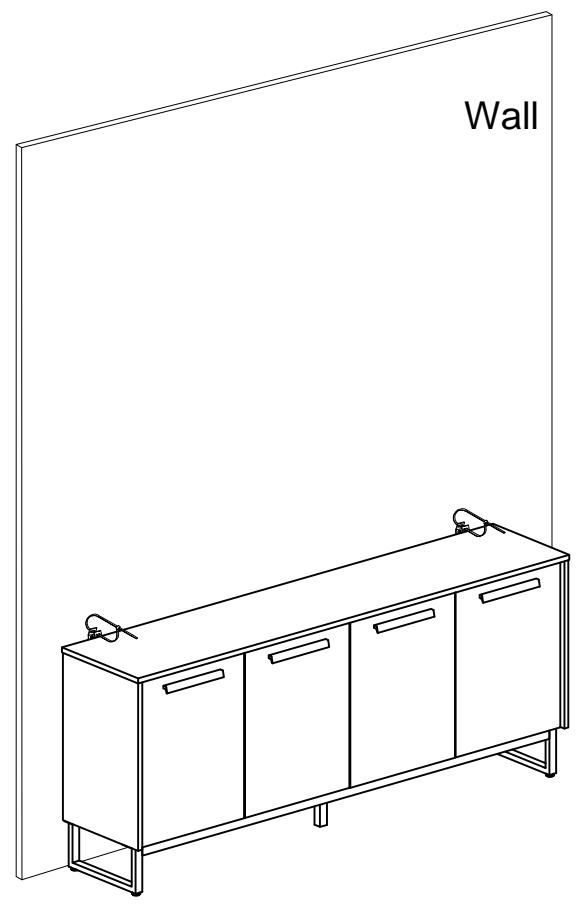
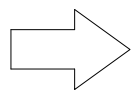
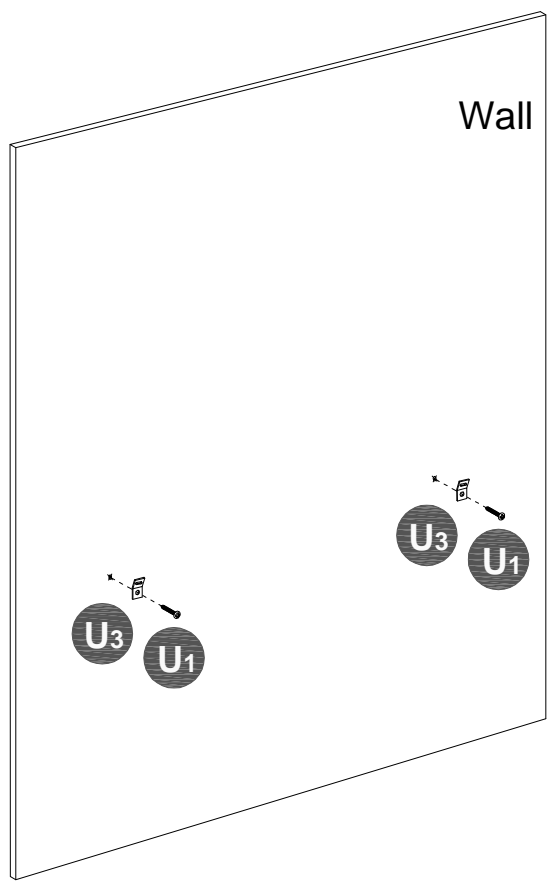
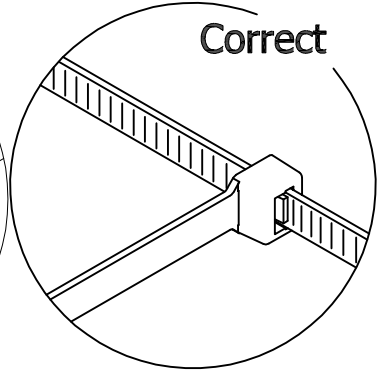
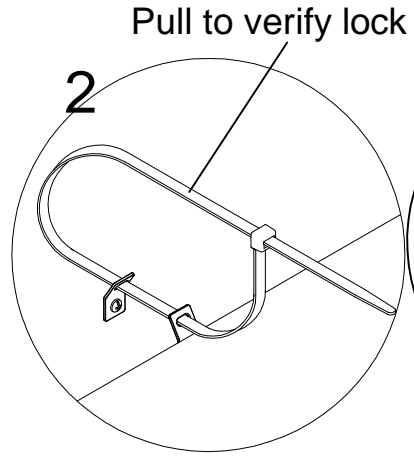
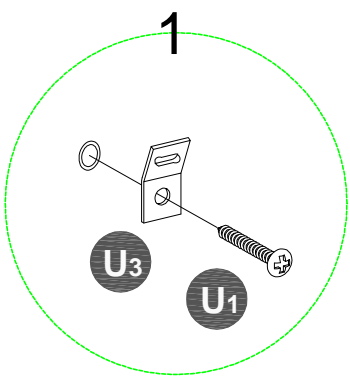


STEP 15

U₁ x 2pcs 

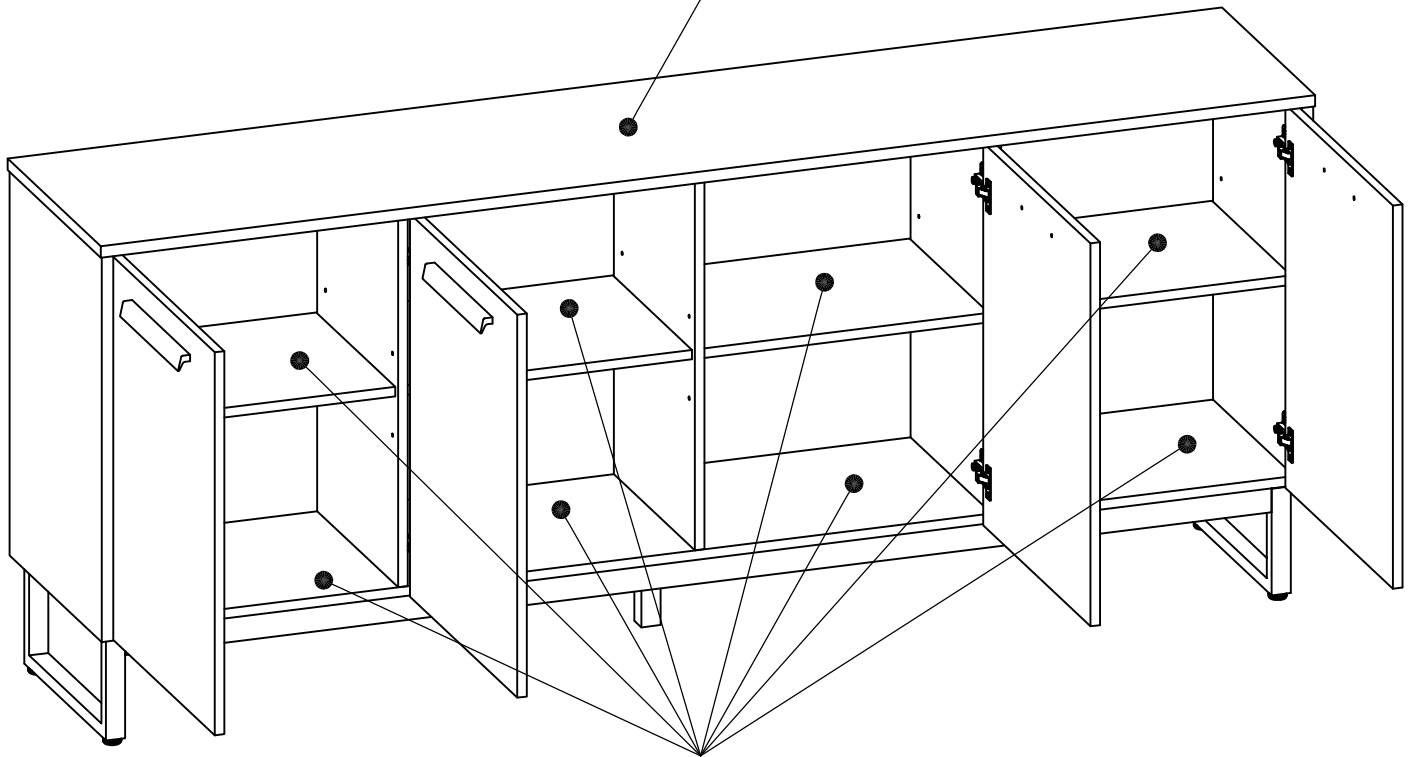
U₅ x 2pcs 

U₃ x 2pcs 



Maximum weight capacities

MAXIMUM WEIGHT: 75 LBS (34 KG)



MAXIMUM WEIGHT: 26 LBS (12 KG)

What is Proposition 65?

Proposition 65 is a California law that requires warning labels on products that may contain one of more than 800-plus chemicals or ingredients that the California Office of Environmental Health Hazard Assessment (OEHHA) has deemed to cause cancer or other reproductive toxicity. Chemicals and elements on this list include wood dust, brass, and other everyday substances, which can be found in very common household items, such as: lamps, tableware, jewelry, crystal glasses, electric cords, beauty products, automobiles, and furniture.

Why Did I Find a Proposition 65 Warning on My Home Goods Product?

We include Proposition 65 warnings on all of our products because there is always a chance that one of the 800-plus common chemicals and ingredients listed under this law could potentially be on our furniture or packing materials. We risk large fines under this law, if we don't include this warning.

Should I worry?

We realize you may be worried finding this warning on our products, but we want to reassure you that the hazardous exposure limits for any of these chemicals have never been found on furniture products that we've shipped to our customers. Additionally, this warning label is very common and can be found on almost every piece of furniture sold in the state of California.

Just How Common Are Proposition 65 Warnings?

Proposition 65 warnings have become so common in California that it is hard to take a trip to local bank, grocery store, or restaurant without finding at least one warning. In fact, even the Disney Land Resort has a Proposition 65 warning:

