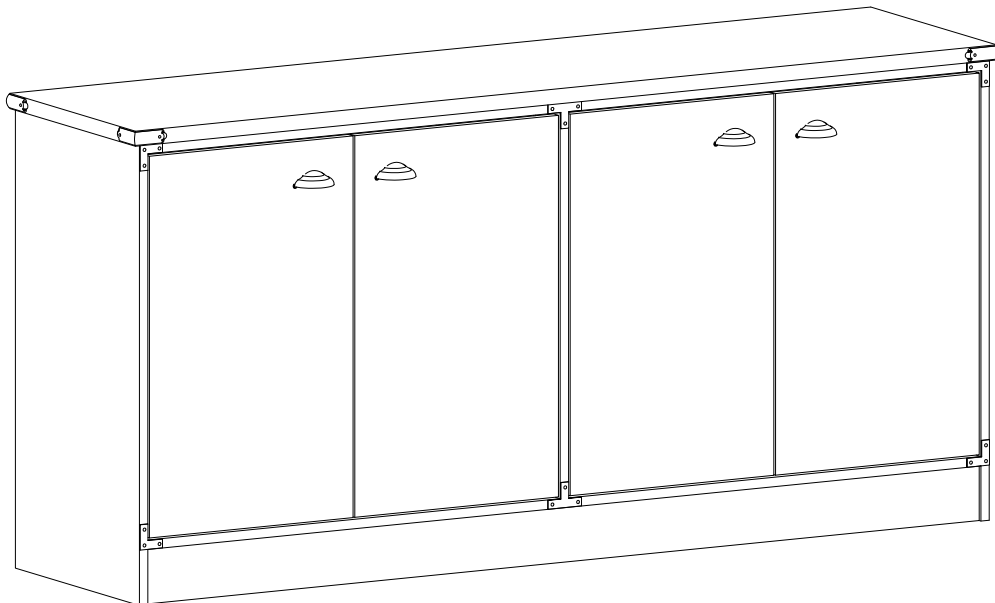


ASSEMBLY INSTRUCTIONS

ITEM#: BX4700

Important Safety Instructions:

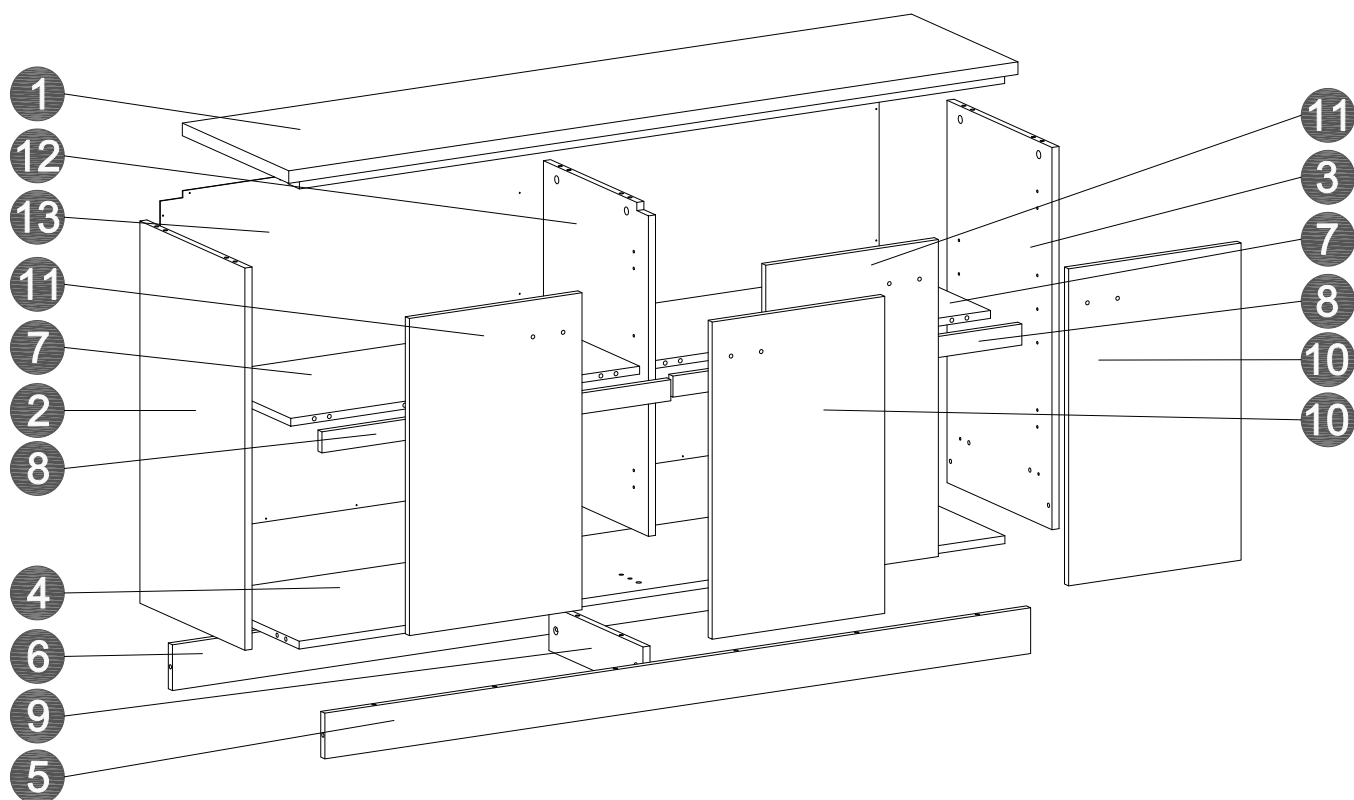
- Please read all instructions before beginning assembly
- Please make sure receive all the parcels to start the assembly
- For your safety and convenience, assembly by two people is recommended
- Use the parts and hardware lists to identify and separate each of the components included
- Save all packing materials until assembly is completed to avoid the accidental discarding of smaller parts or hardware






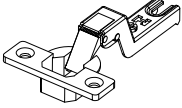
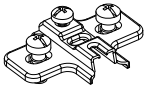

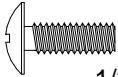

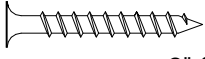
THANK YOU FOR PURCHASING


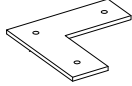
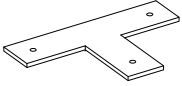

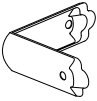
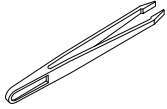
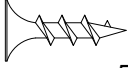
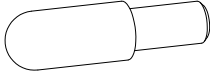

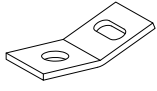
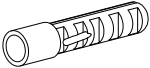

PARTS LIST

1 X1	2 X1	3 X1	4 X1	5 X1
6 X1	7 X2	8 X2	9 X1	10 X2
11 X2	12 X1	13 X1		



HARDWARE LIST

Name	Part	Qty.	Spare
A		22	1
B		22	1
C		36	2
D		8	
E		8	
F		4	
G	 1/2" Screw	8	1
H	 3/4" Nail	29	2
J	 2" Screw	2	

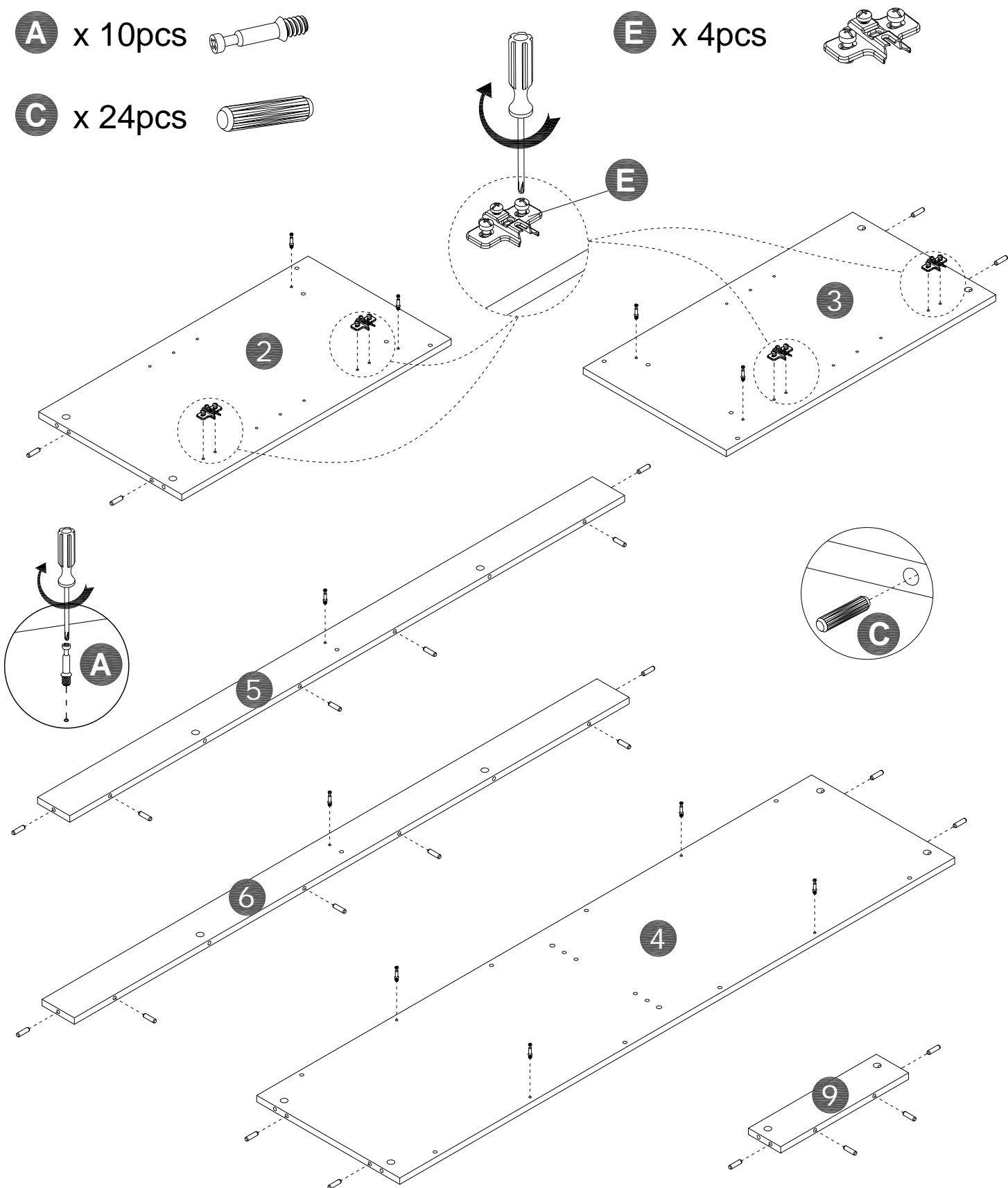
Name	Part	Qty.	Spare
O		18	2
P		4	
Q		2	
R	 5/6" nail	8	2
S		4	
U		1	
Z	 5/8" Screw	16	1
AA		8	
U1		2	
U3		2	
U4		1	
U5		1	

STEP 1

A x 10pcs 

C x 24pcs 

E x 4pcs 

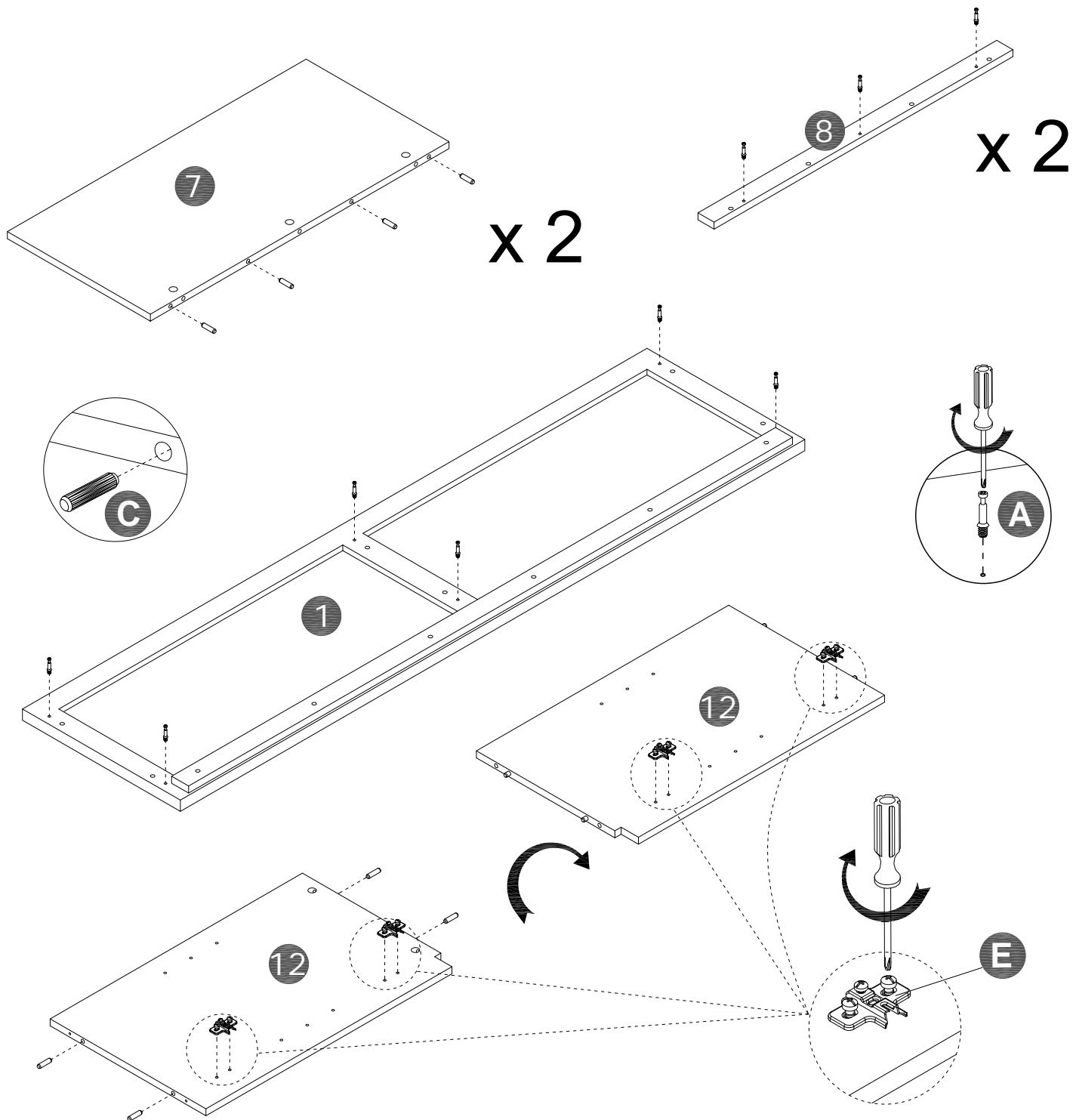


STEP 2

A x 12pcs 

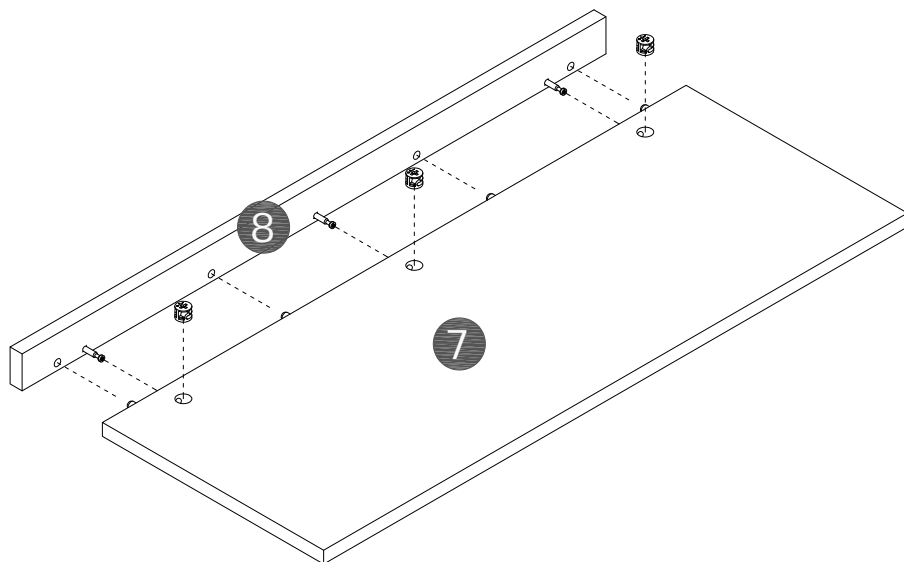
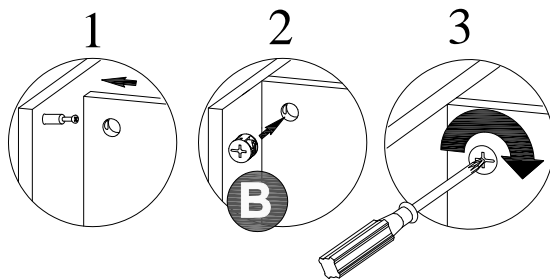
E x 4pcs 

C x 12pcs 



STEP 3

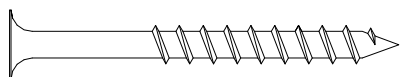
B x 6pcs



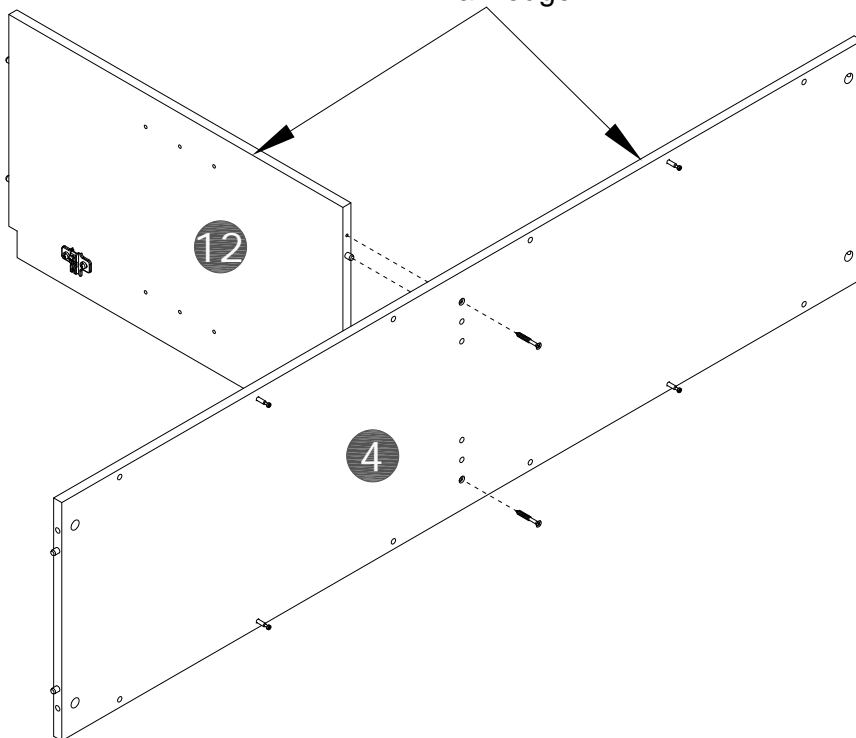
x 2

STEP 4

J x 2pcs

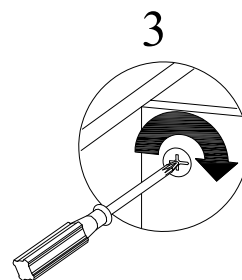
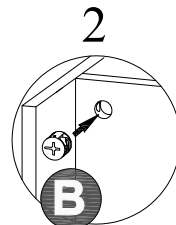
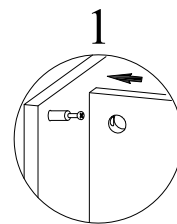
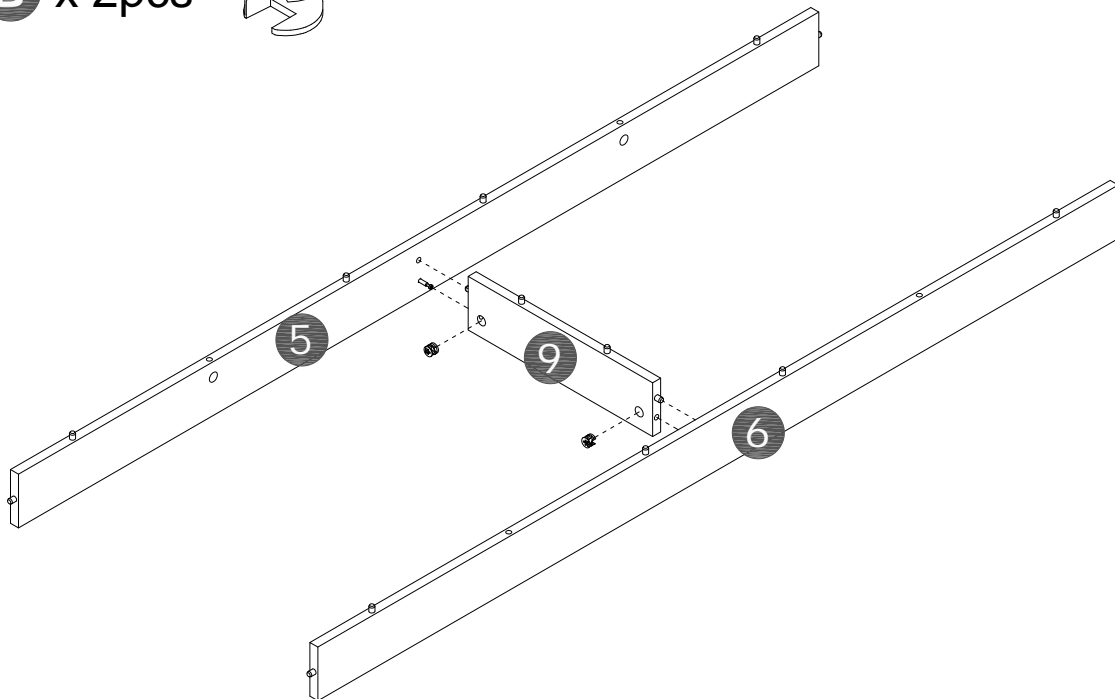


Raw edge



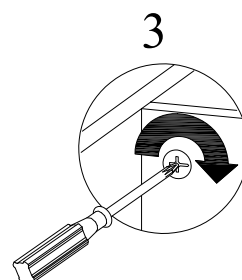
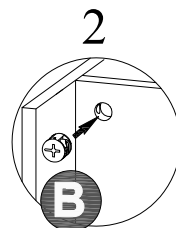
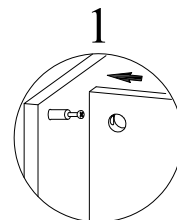
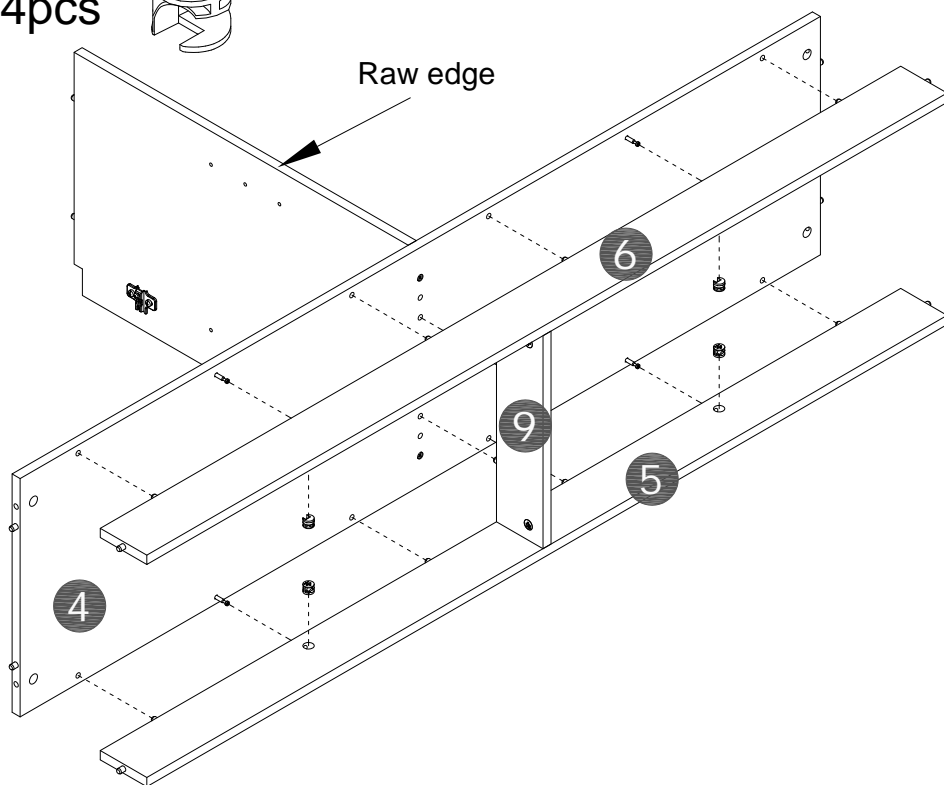
STEP 5

B x 2pcs



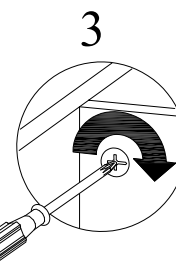
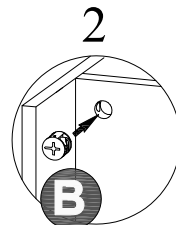
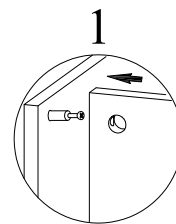
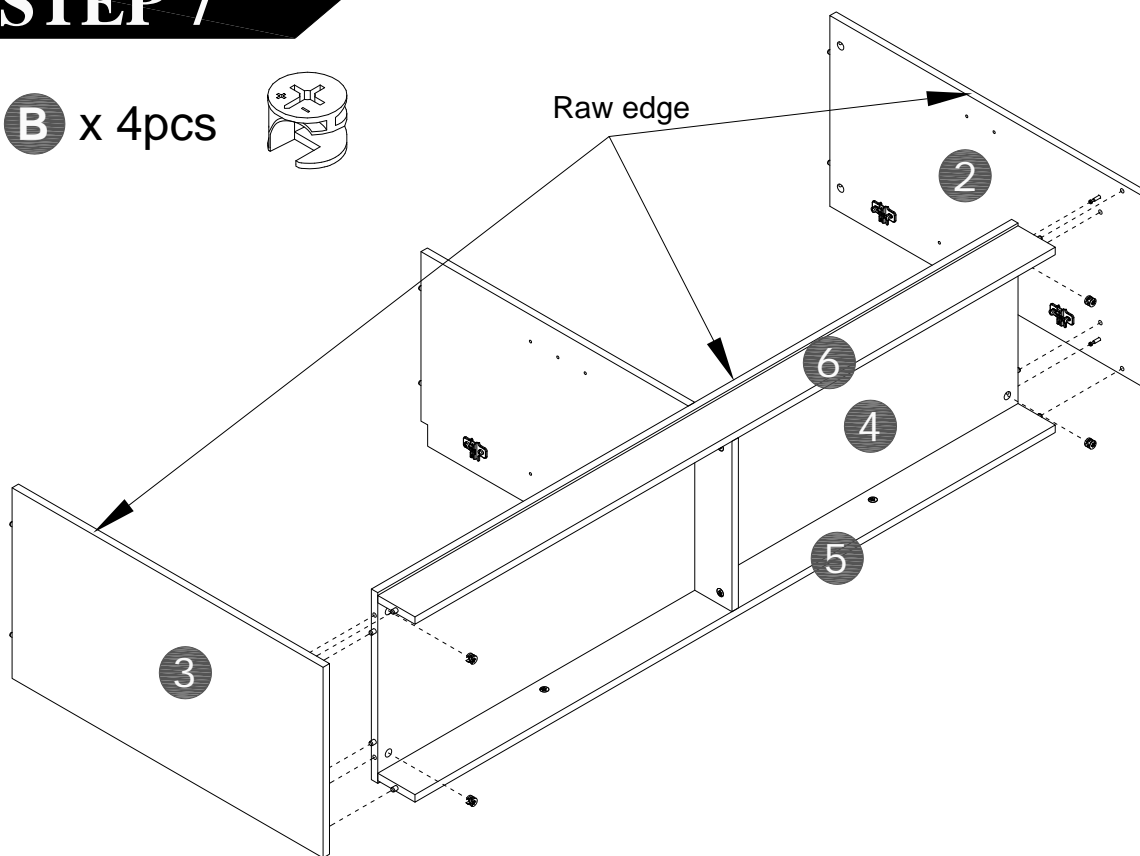
STEP 6

B x 4pcs



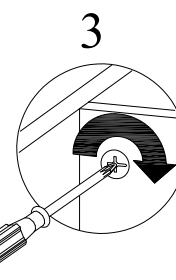
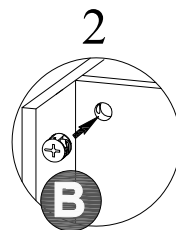
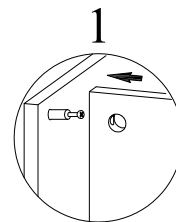
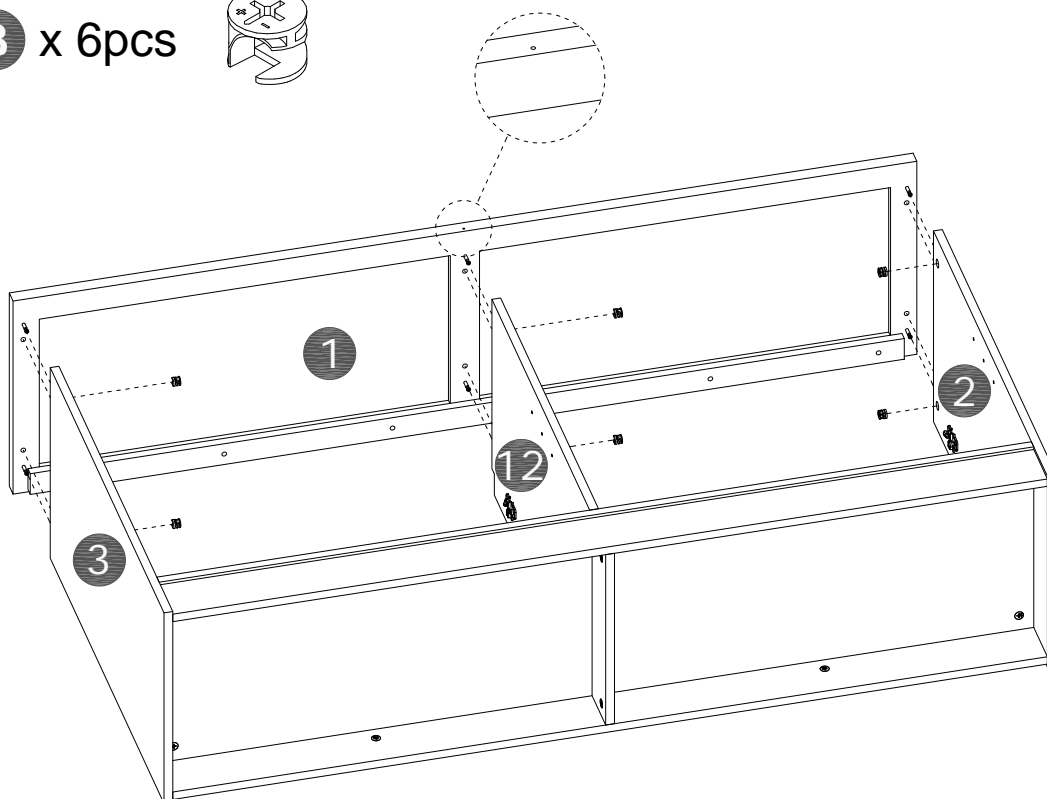
STEP 7

B x 4pcs



STEP 8

B x 6pcs

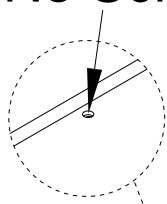


STEP 9

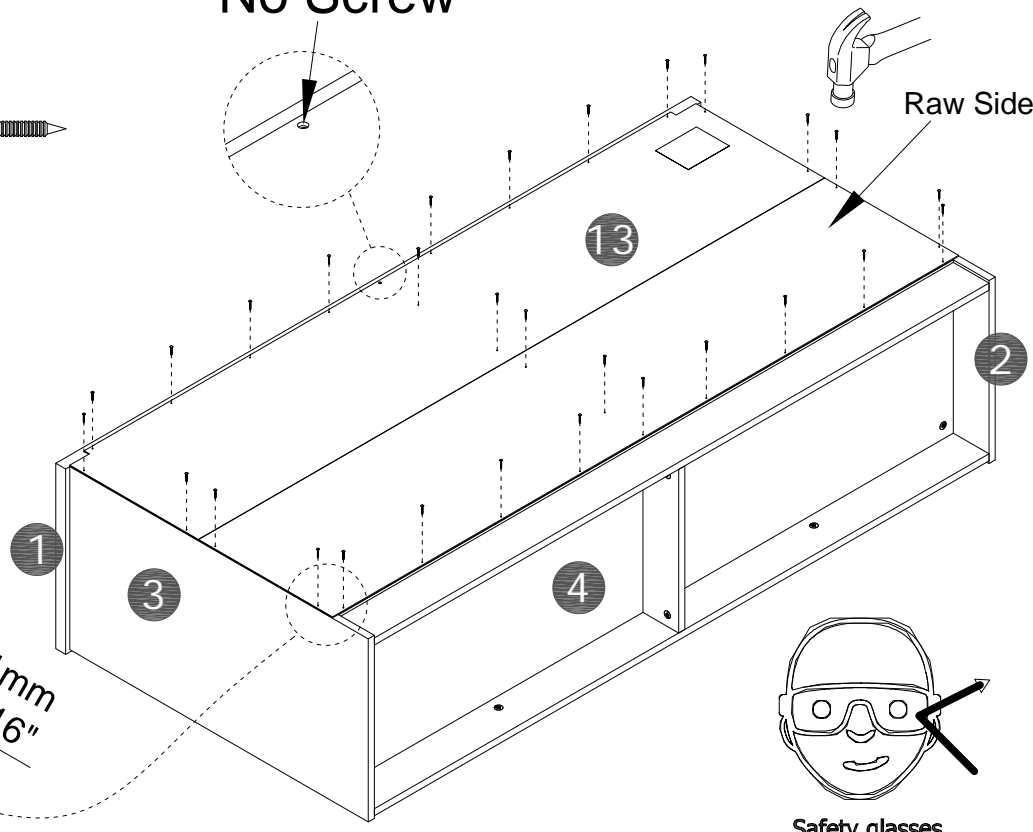
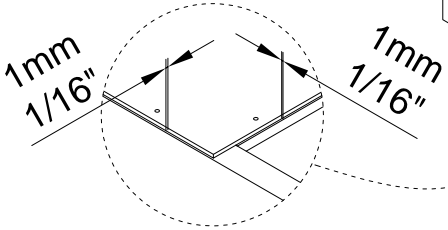
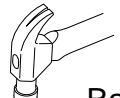
H x 29pcs



No Screw

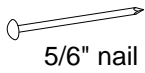


Raw Side



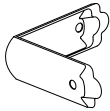
STEP 10

R x 4pcs

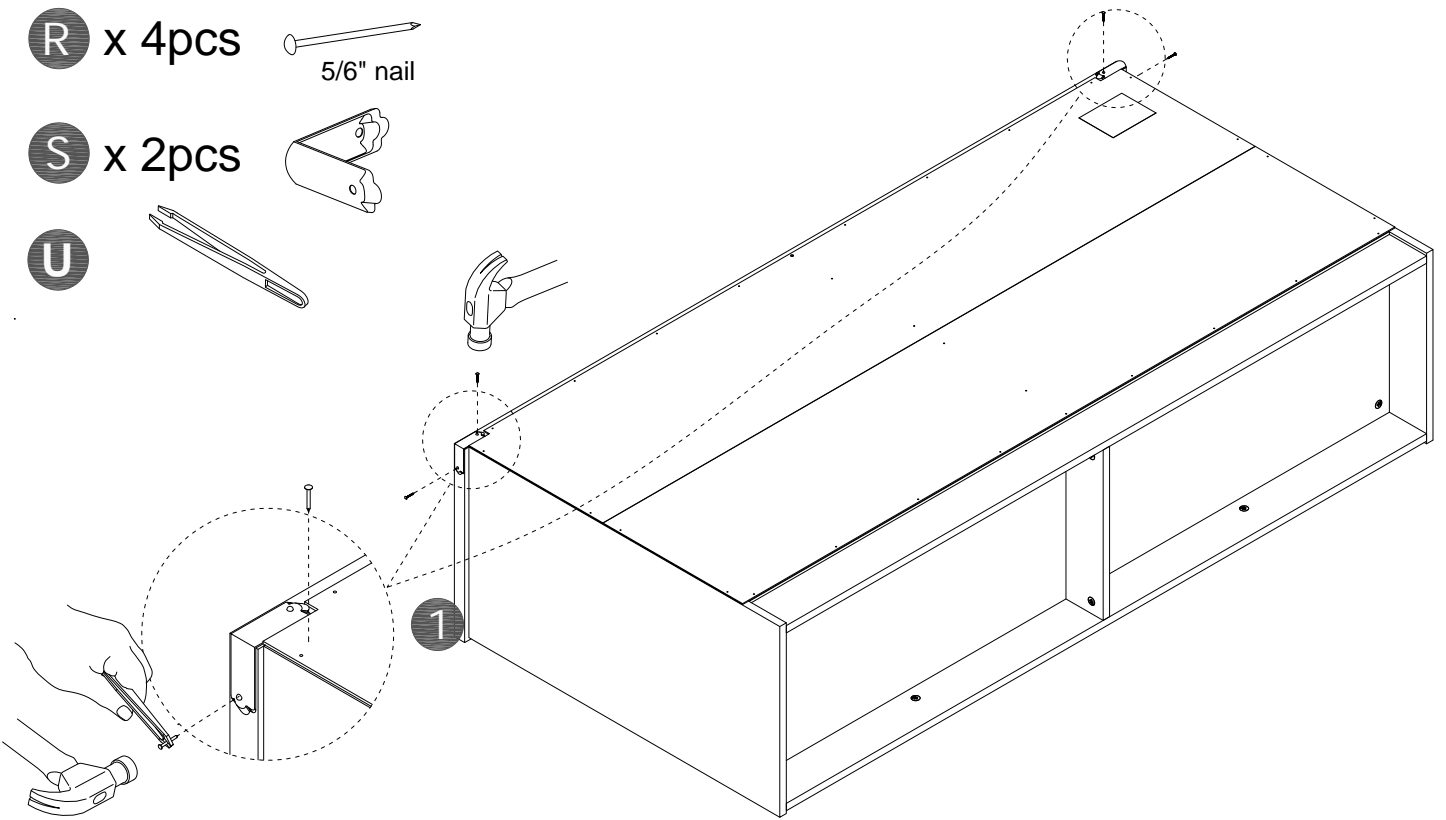
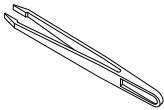


5/6" nail

S x 2pcs



U



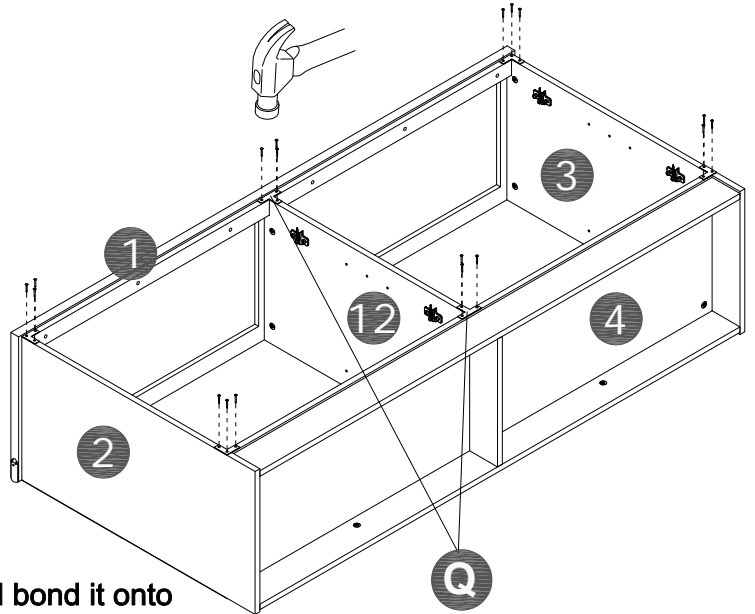
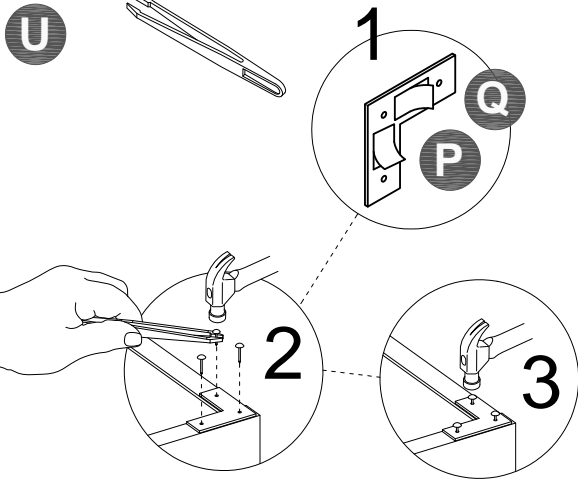
STEP 11

With assistant carefully flip unit over.

O x 18pcs 

Q x 2pcs 

P x 4pcs 

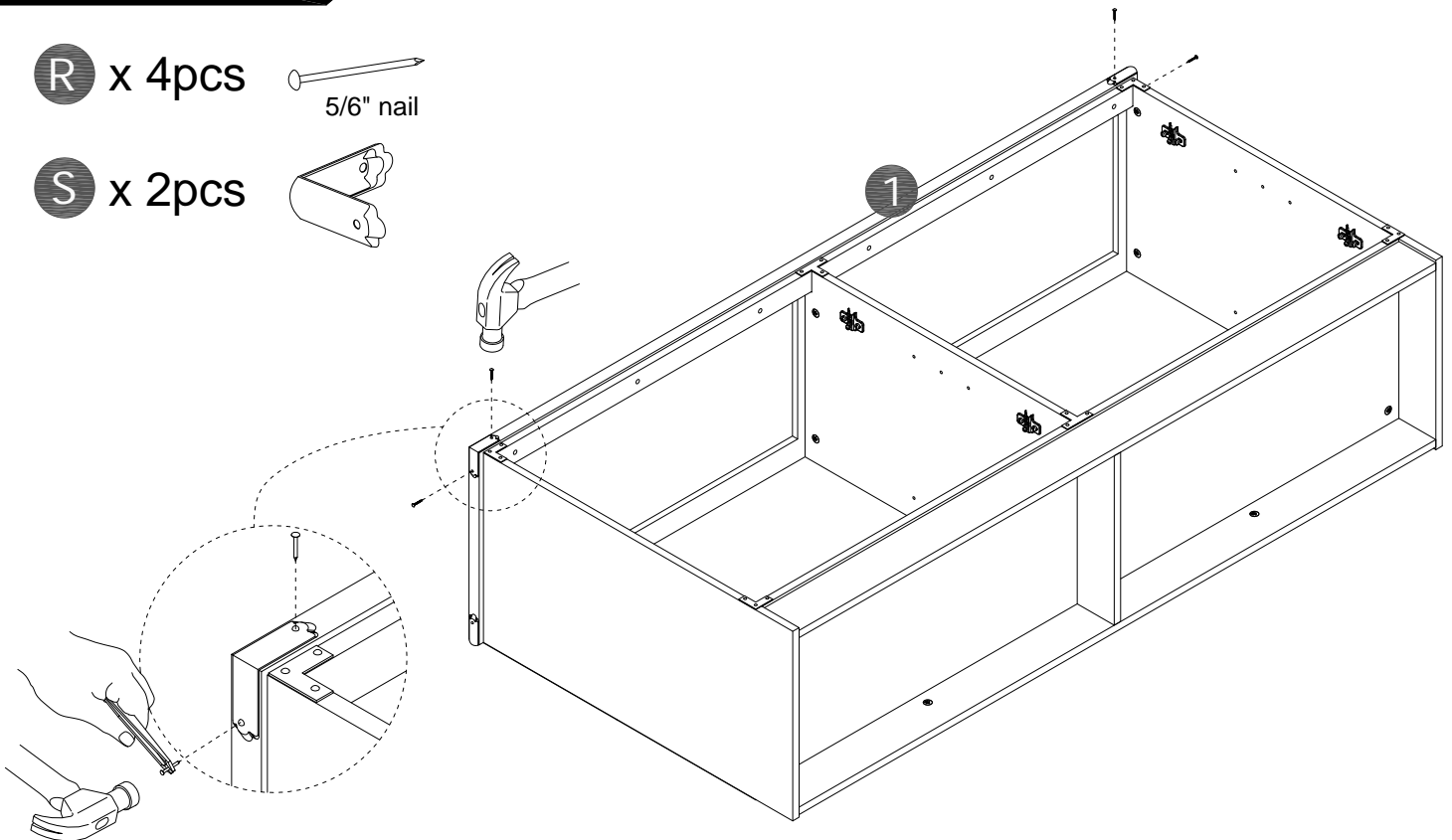


Peel off the adhesive sticker's protective paper and bond it onto the designated position before secure with nails.

STEP 12

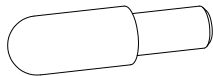
R x 4pcs 
5/6" nail

S x 2pcs 

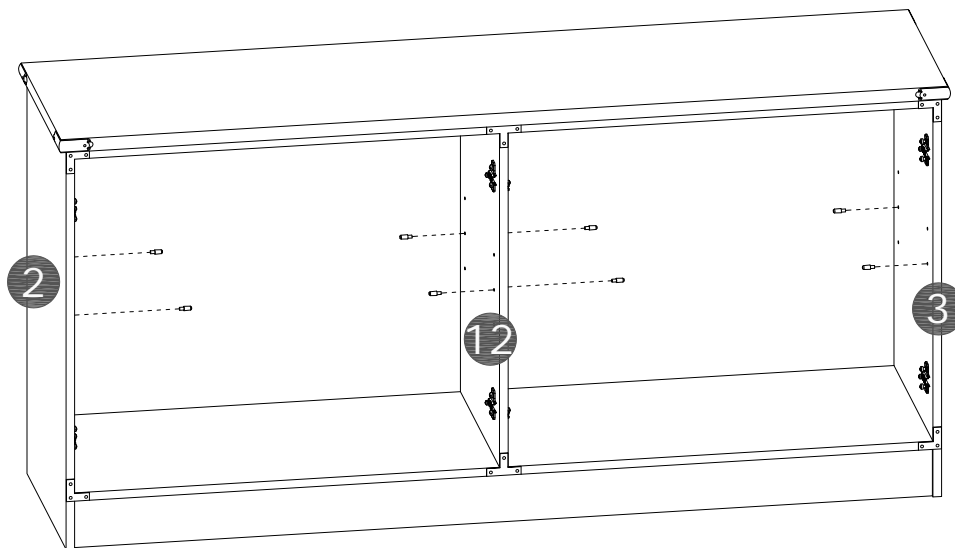


STEP 13

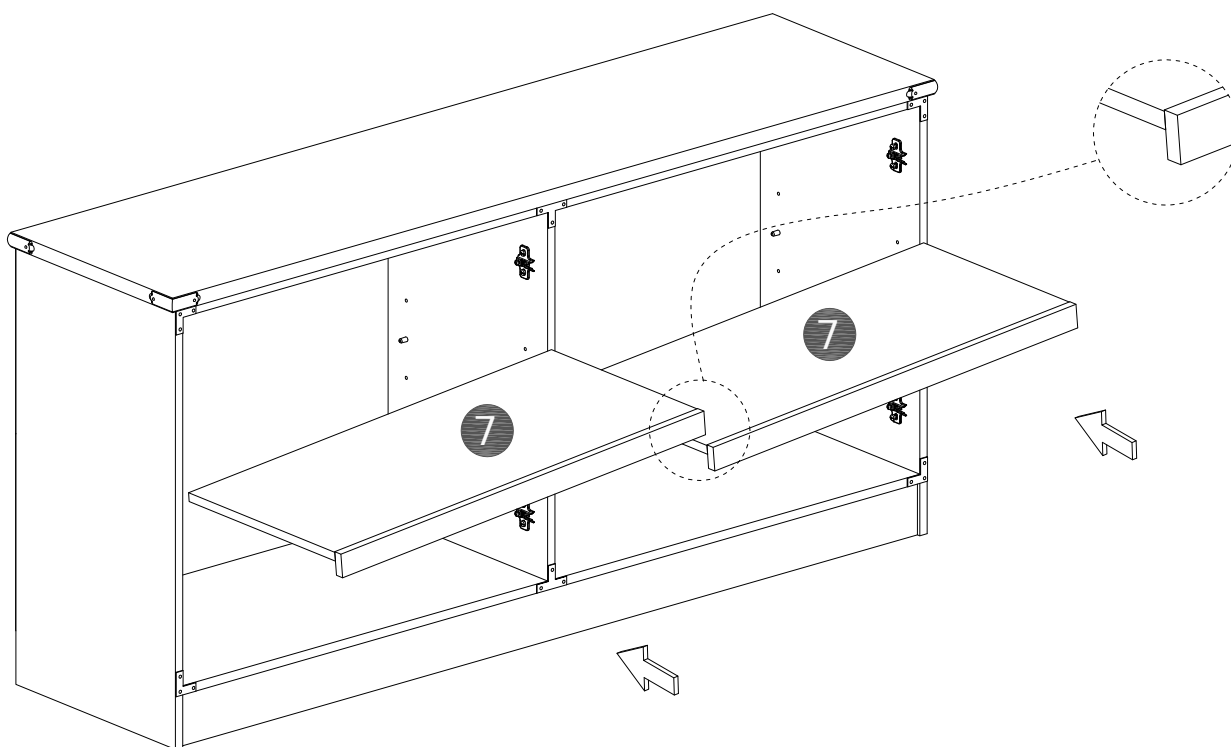
AA x 8pcs



With assistant carefully stand unit up.

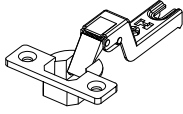


STEP 14



STEP 15

D x 8pcs



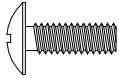
Z x 16pcs



F x 4pcs

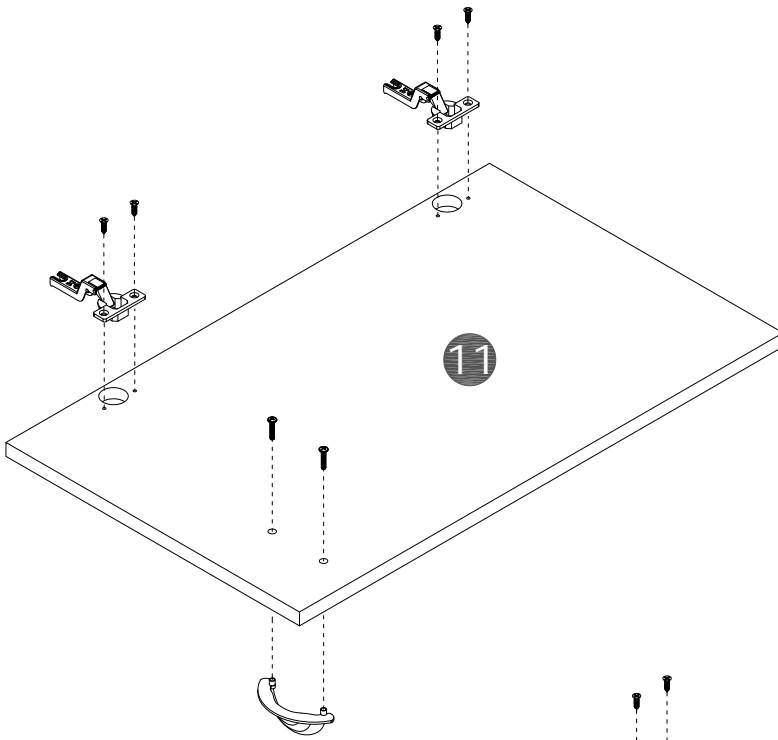


G x 8pcs

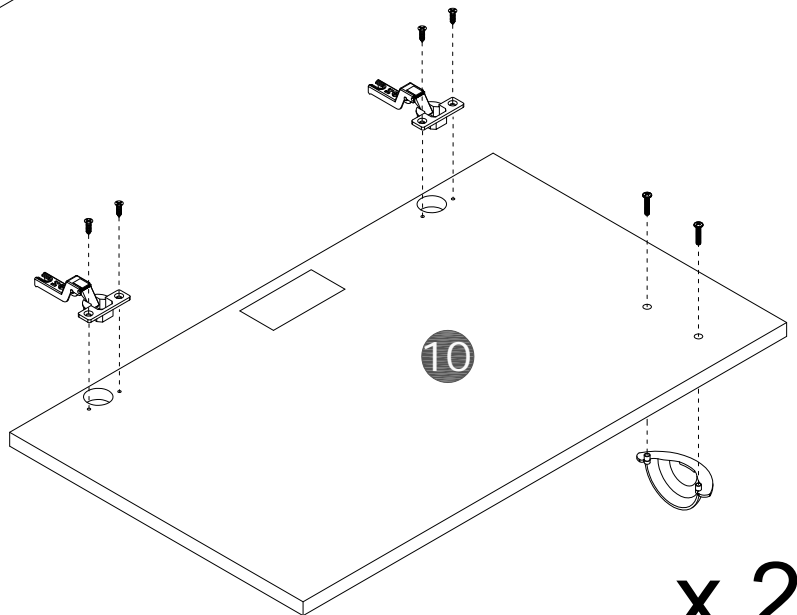


WARNING

Caution, Storing electronic equipment may result in equipment overheating. Shelves located behind doors are not intended for storing electronic equipment. Placing electronic equipment in this area may result in equipment overheating



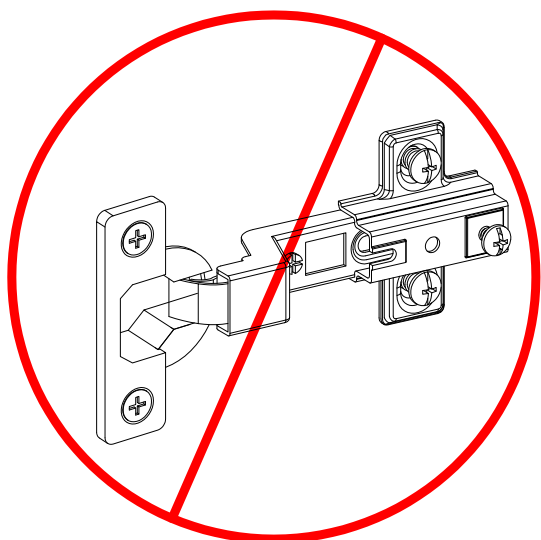
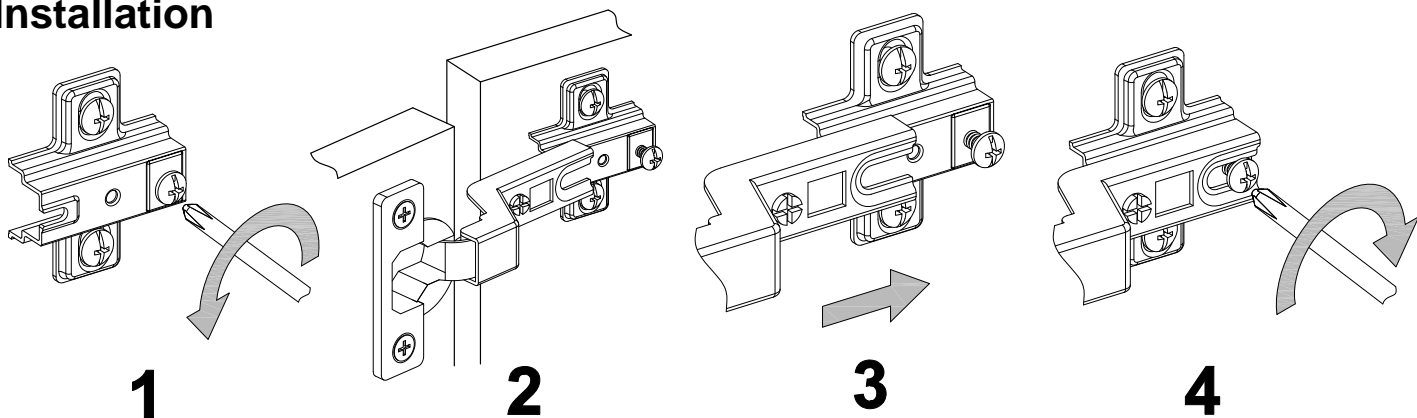
x 2



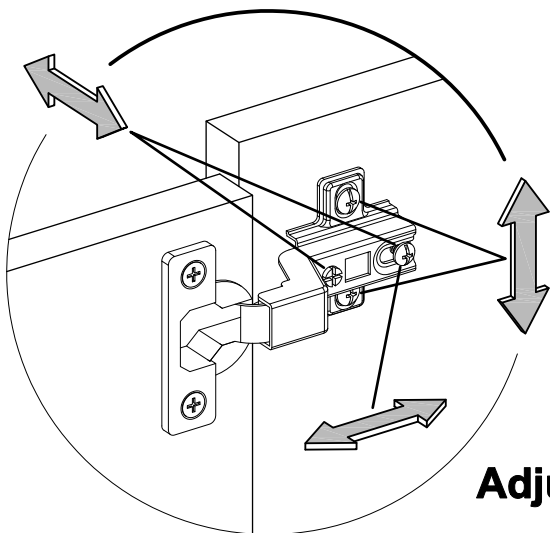
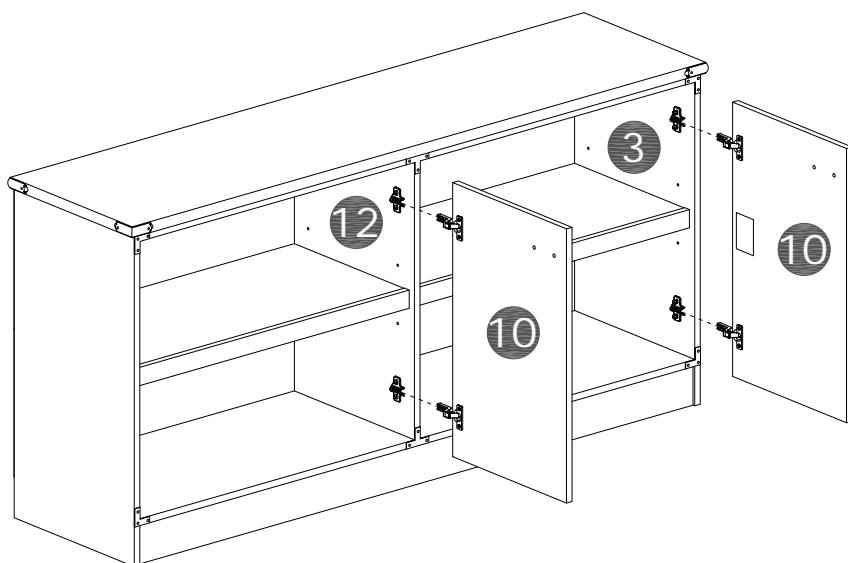
x 2

STEP 16

Installation



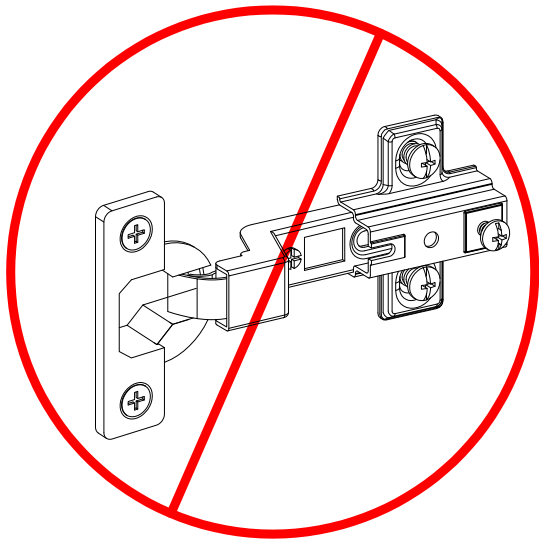
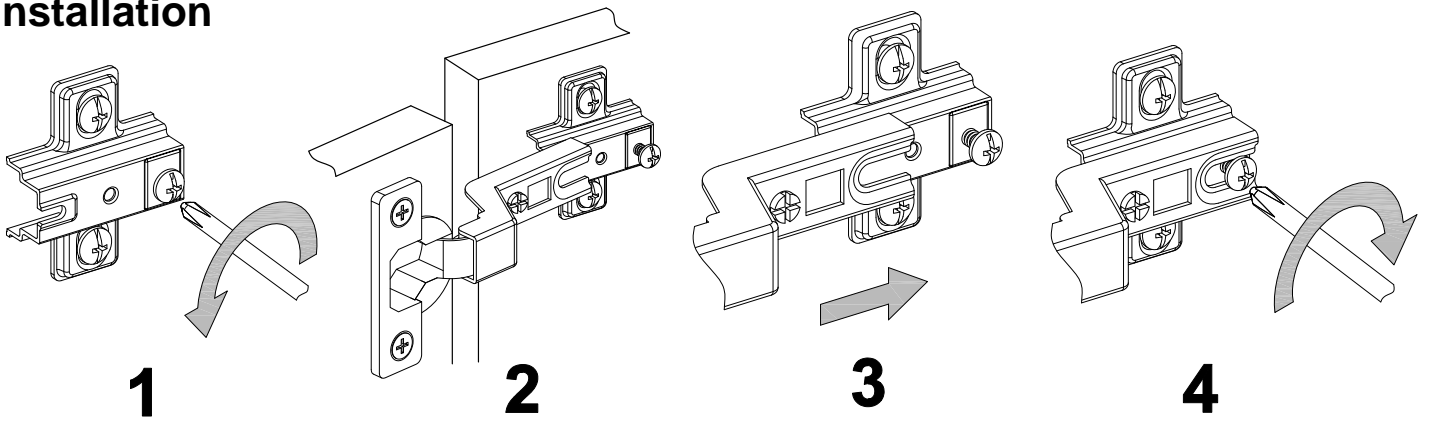
**DO NOT Insert
Hinge beneath mount**



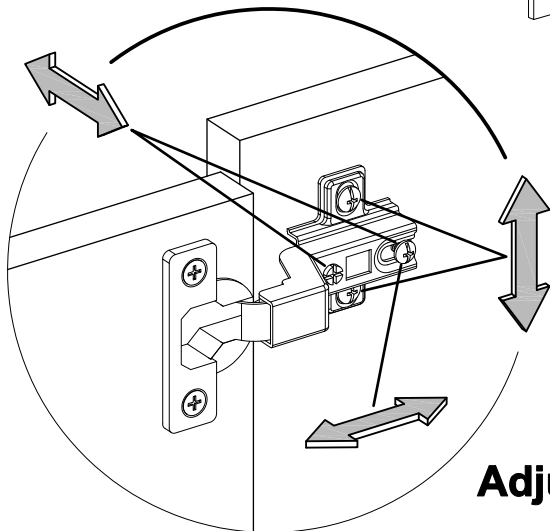
Adjustment

STEP 17

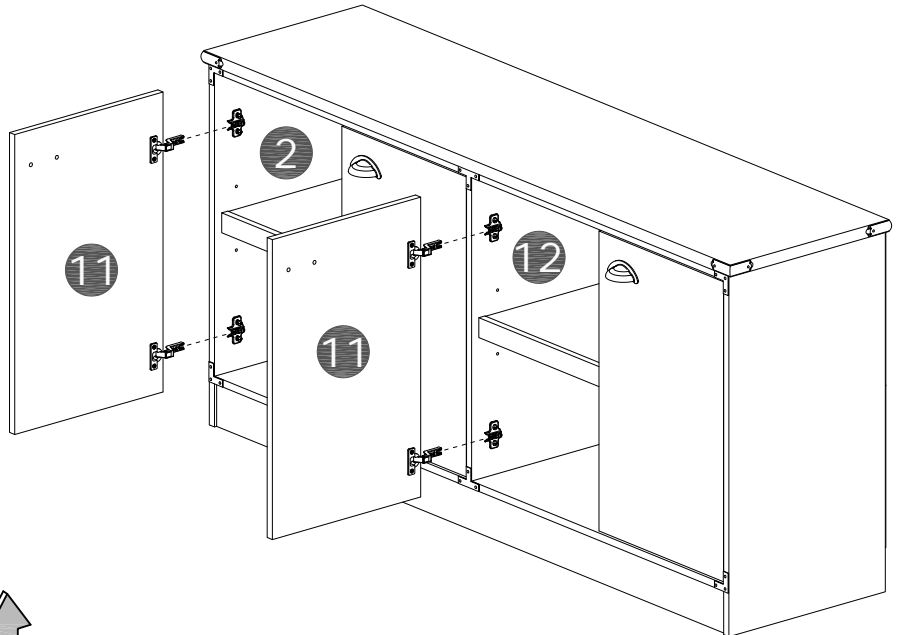
Installation



**DO NOT Insert
Hinge beneath mount**

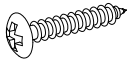


Adjustment

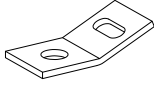


STEP 18

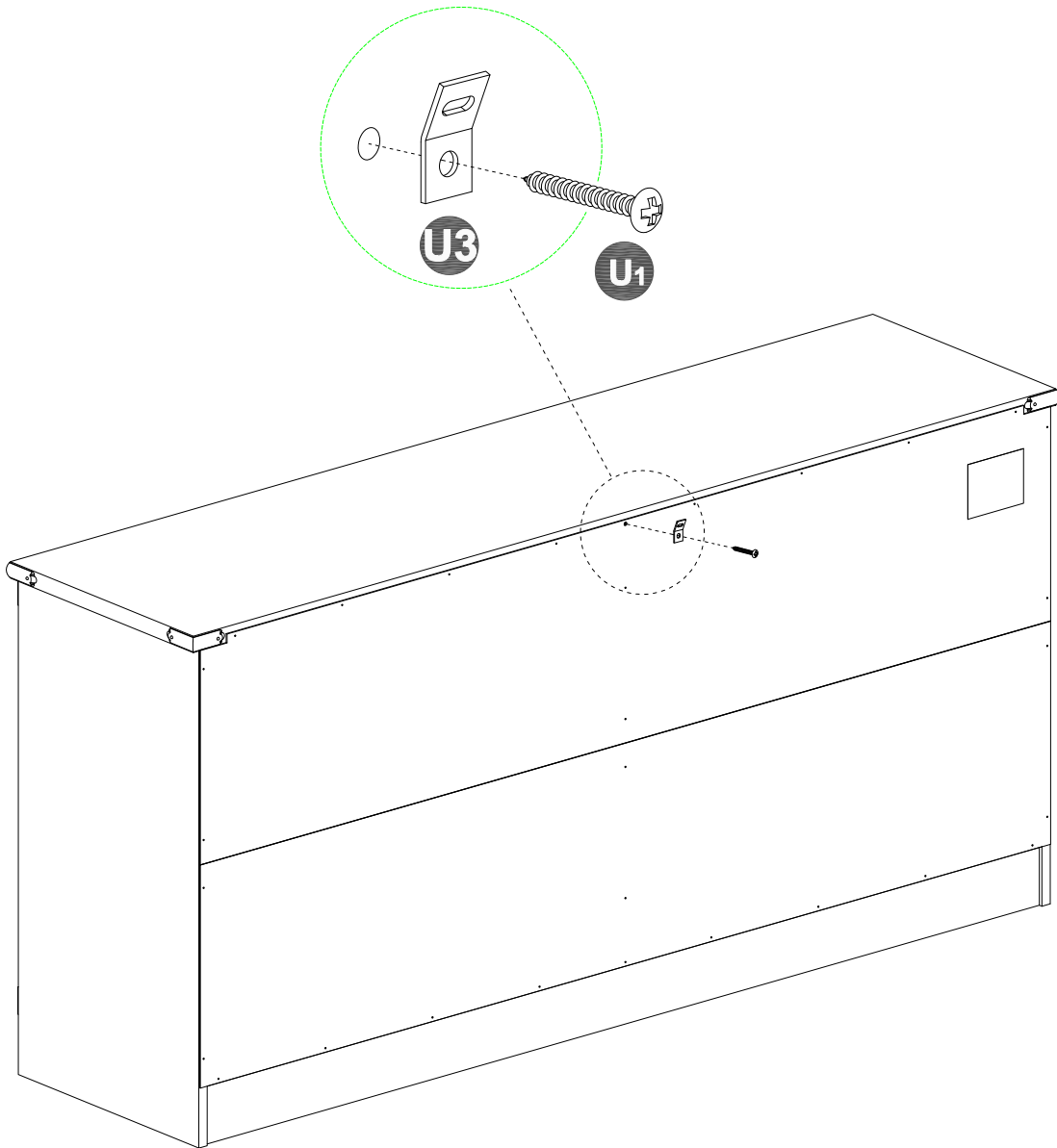
U1 x 1pc



U3 x 1pc

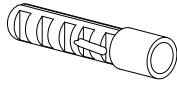


Connecting Plate

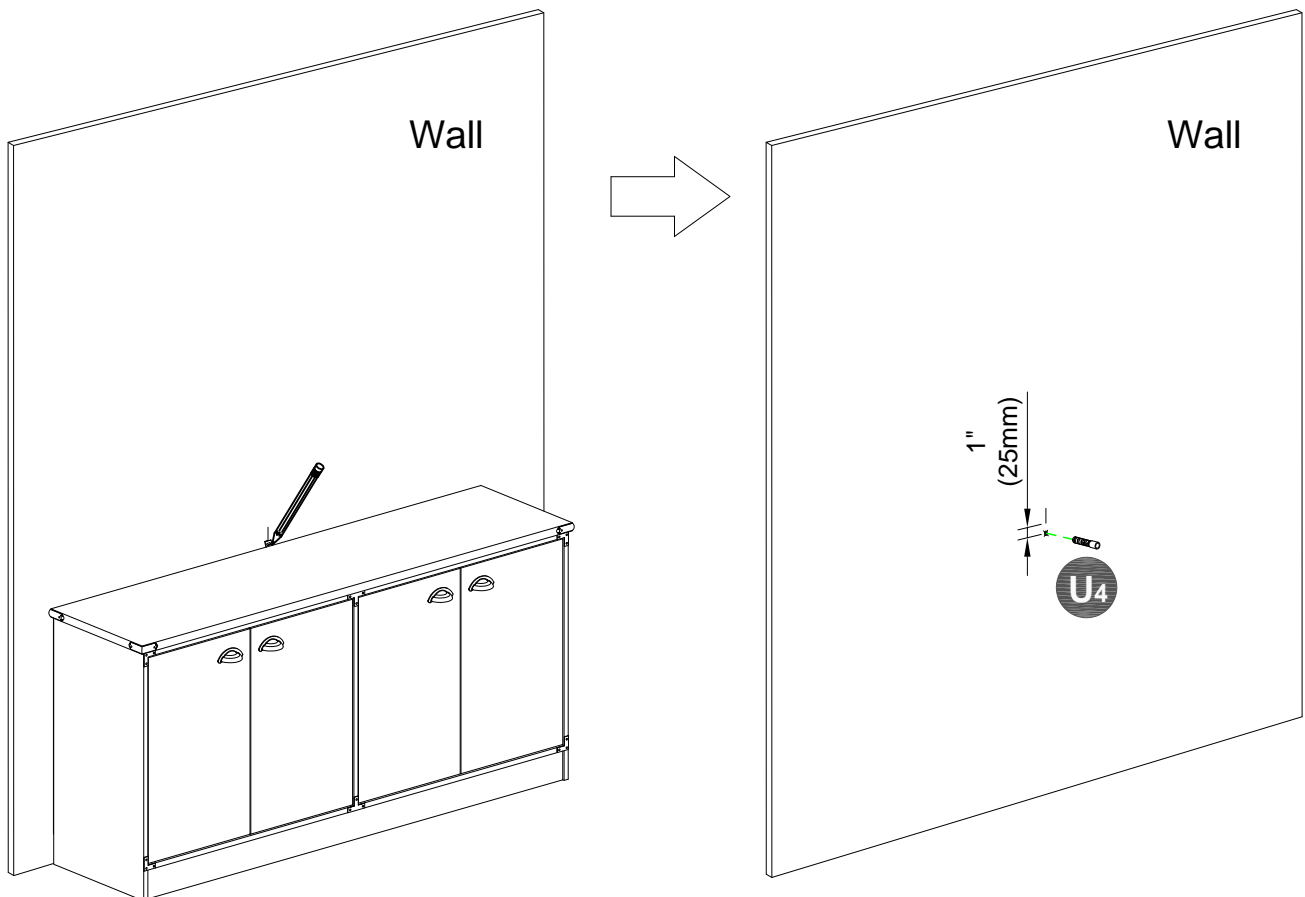
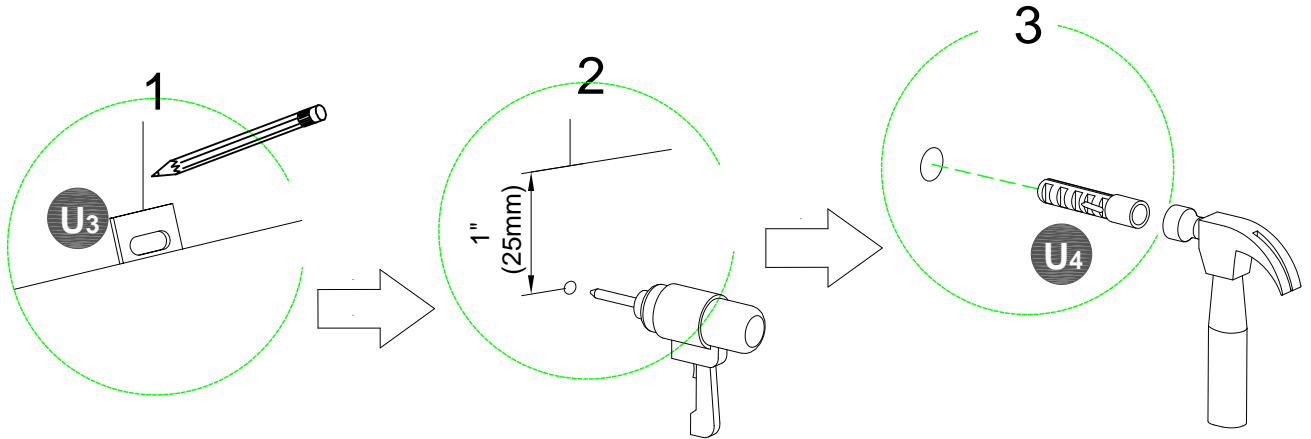


STEP 19

U₄ x 1pc



1. Place unit in desired location.
2. Mark stud location on the wall, 1" below top and side of unit.
3. Drill 5/16" hole 2" deep at marks on the wall.

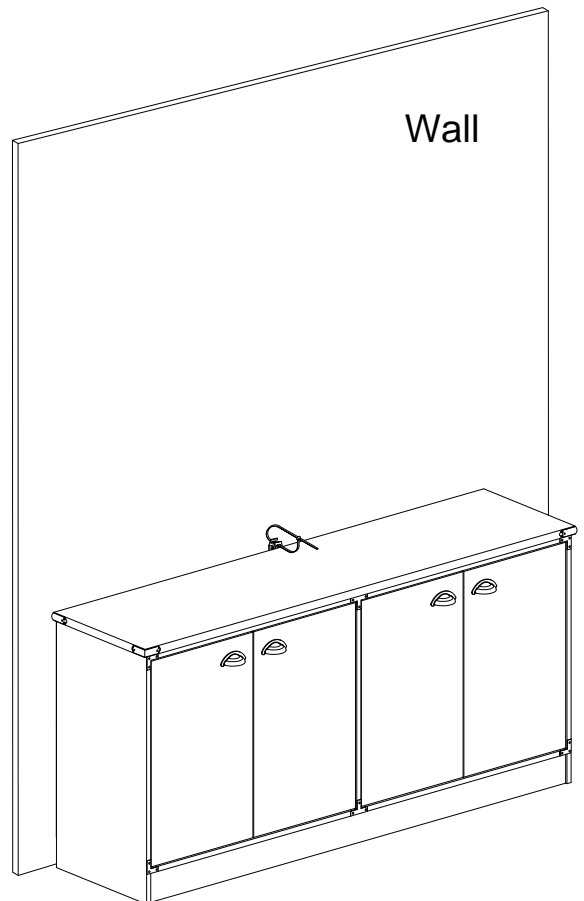
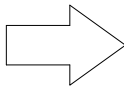
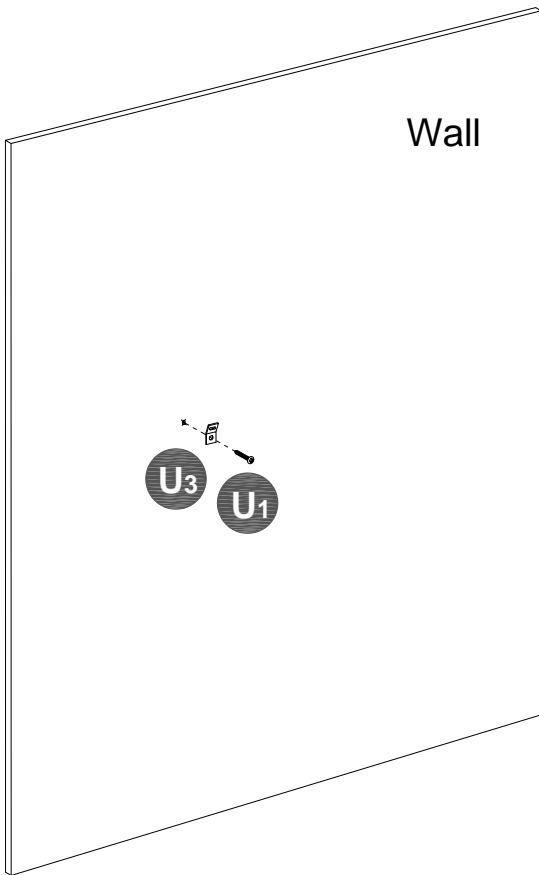
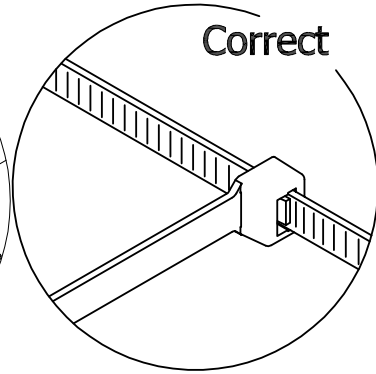
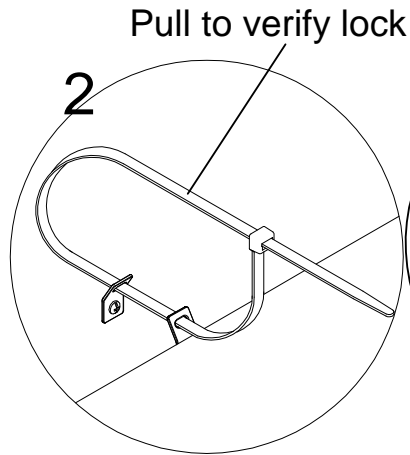
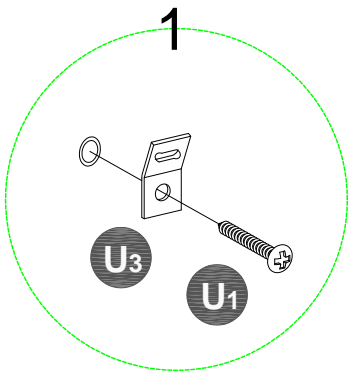


STEP 20

U₁ x 1pc 

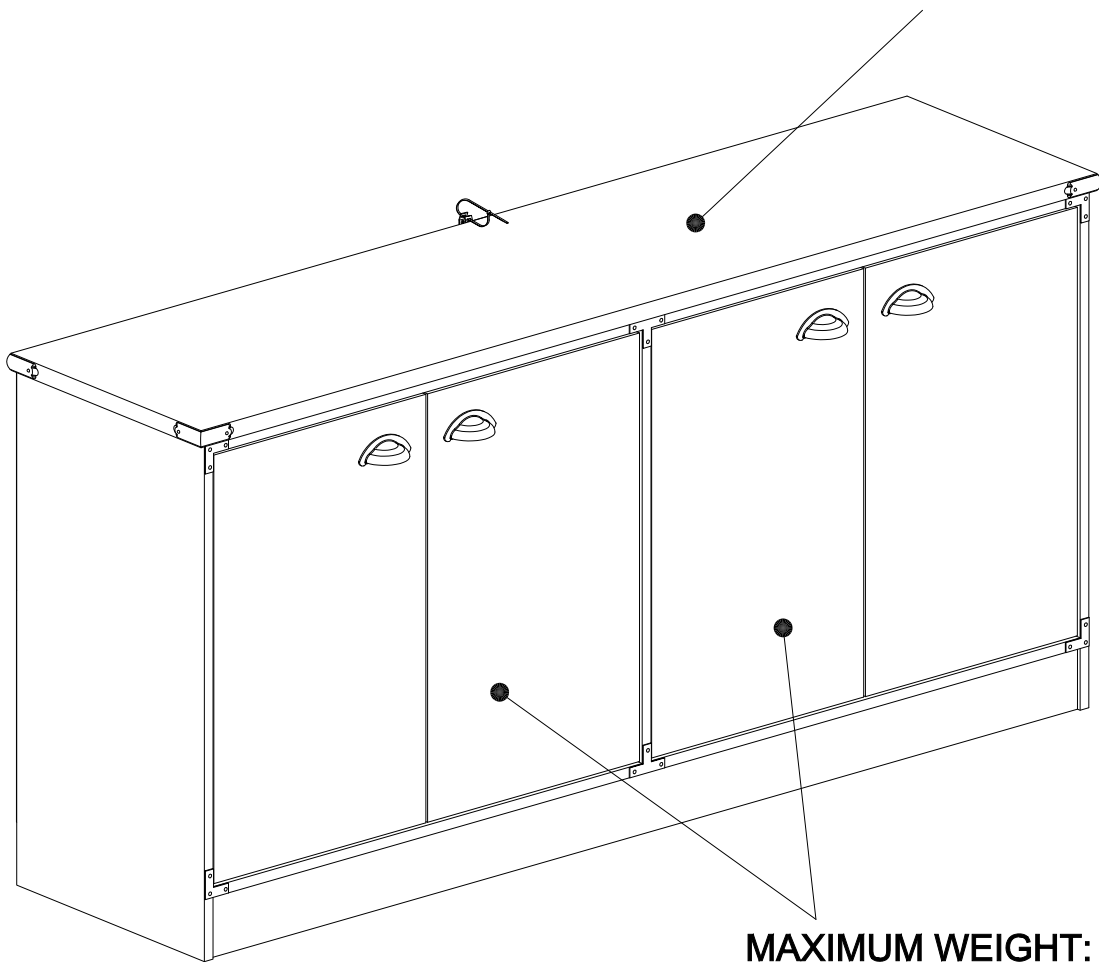
U₅ x 1pc 

U₃ x 1pc 



Maximum weight capacities

**MAXIMUM WEIGHT:
50 LBS (23 KG)**



**MAXIMUM WEIGHT:
22 LBS (10 KG)**

THIS PAGE INTENTIONALLY LEFT BLANK

What is Proposition 65?

Proposition 65 is a California law that requires warning labels on products that may contain one of more than 800-plus chemicals or ingredients that the California Office of Environmental Health Hazard Assessment (OEHHA) has deemed to cause cancer or other reproductive toxicity. Chemicals and elements on this list include wood dust, brass, and other everyday substances, which can be found in very common household items, such as: lamps, tableware, jewelry, crystal glasses, electric cords, beauty products, automobiles, and furniture.

Why Did I Find a Proposition 65 Warning on My Home Goods Product?

We include Proposition 65 warnings on all of our products because there is always a chance that one of the 800-plus common chemicals and ingredients listed under this law could potentially be on our furniture or packing materials. We risk large fines under this law, if we don't include this warning.

Should I worry?

We realize you may be worried finding this warning on our products, but we want to reassure you that the hazardous exposure limits for any of these chemicals have never been found on furniture products that we've shipped to our customers. Additionally, this warning label is very common and can be found on almost every piece of furniture sold in the state of California.

Just How Common Are Proposition 65 Warnings?

Proposition 65 warnings have become so common in California that it is hard to take a trip to local bank, grocery store, or restaurant without finding at least one warning. In fact, even the Disney Land Resort has a Proposition 65 warning:

