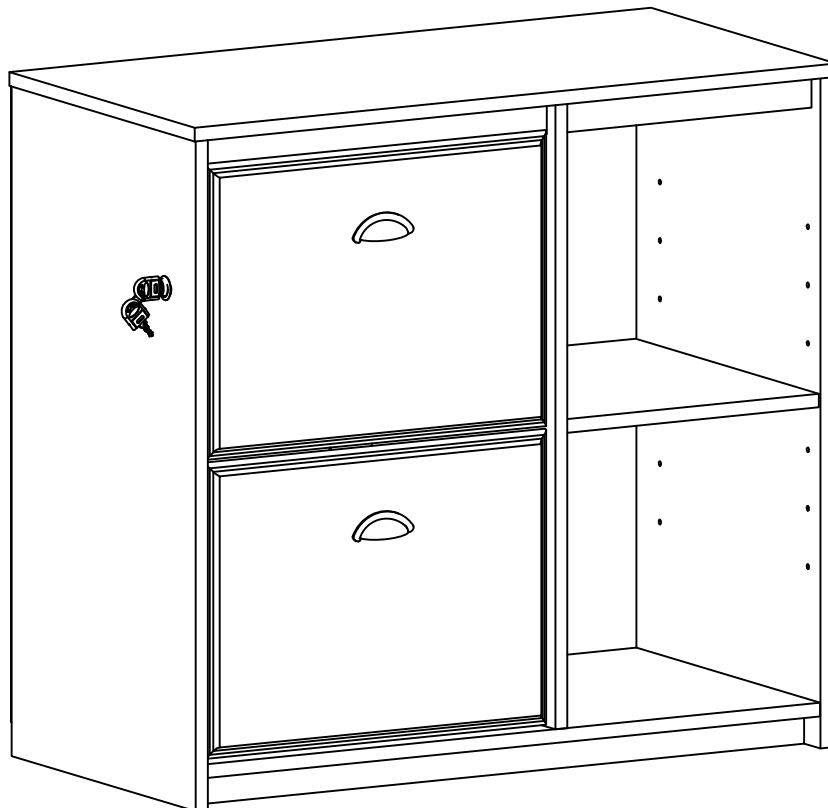


ASSEMBLY INSTRUCTIONS

ITEM#: BX4019

Important Safety Instructions:

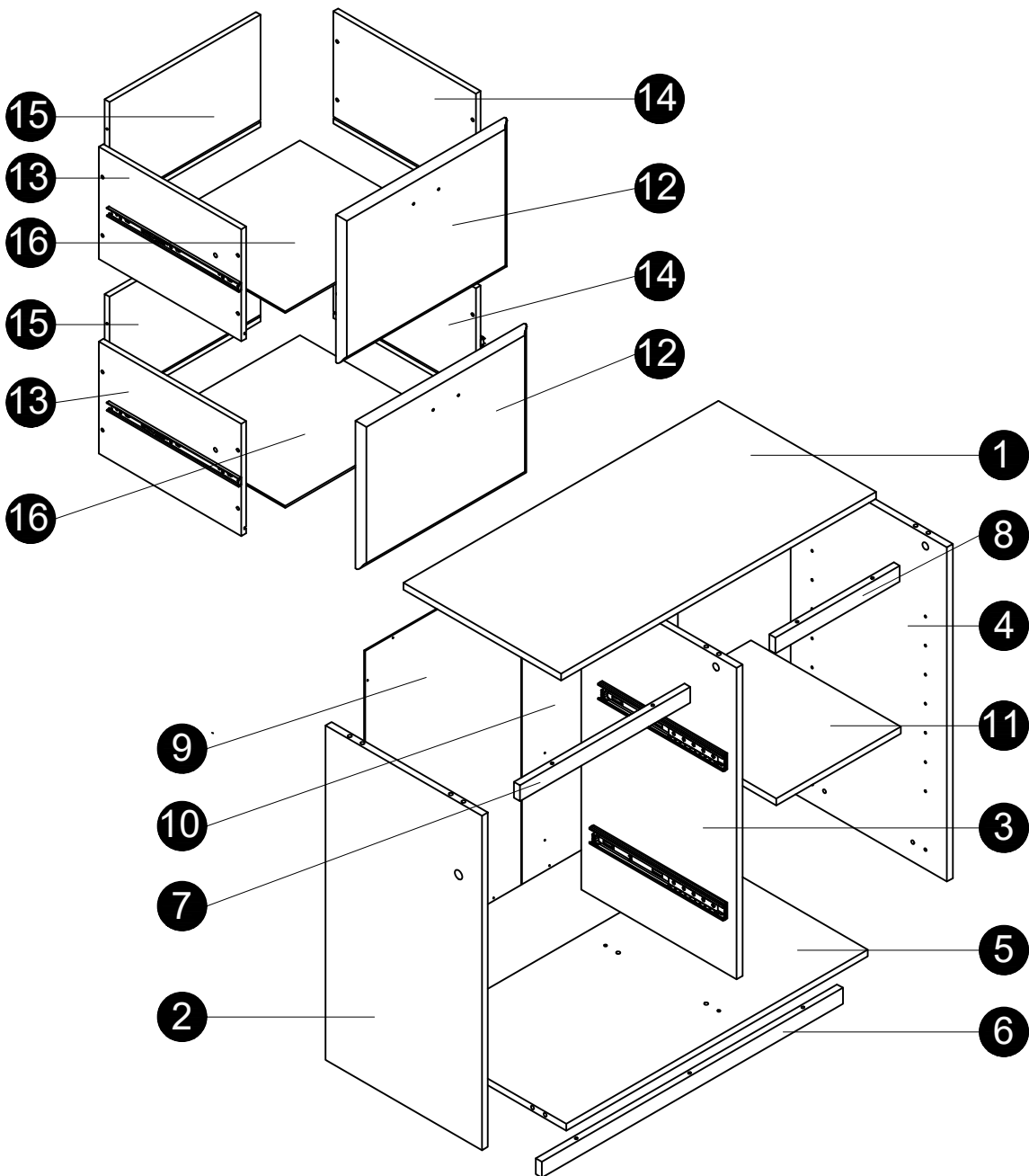
- Please read all instructions before beginning assembly
- Please make sure receive all the parcels to start the assembly
- For your safety and convenience, assembly by two people is recommended
- Use the parts and hardware lists to identify and separate each of the components included
- Save all packing materials until assembly is completed to avoid the accidental discarding of smaller parts or hardware






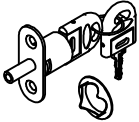
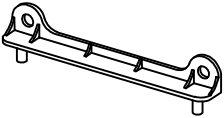

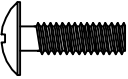
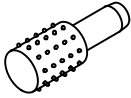



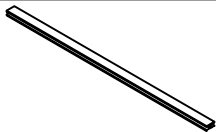
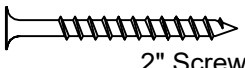
THANK YOU FOR PURCHASING

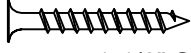
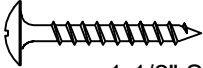

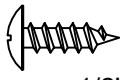
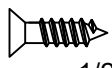
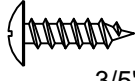
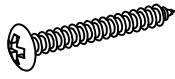
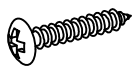
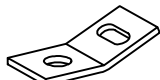
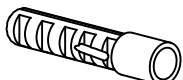

PARTS LIST

- | | | | | |
|------|------|------|------|------|
| ① X1 | ② X1 | ③ X1 | ④ X1 | ⑤ X1 |
| ⑥ X1 | ⑦ X1 | ⑧ X1 | ⑨ X1 | ⑩ X1 |
| ⑪ X1 | ⑫ X2 | ⑬ X2 | ⑭ X2 | ⑮ X2 |
| ⑯ X2 | | | | |



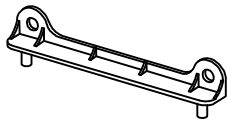
HARDWARE LIST

Name	Part	Qty.	Spare
A		10	1
B		10	1
C		12	1
D		1	
E		4	
F		2	
G	 1/2" Bolt	4	1
H		4	
I		2	
J		4	
K		2	
L		1	
M	 2" Screw	2	

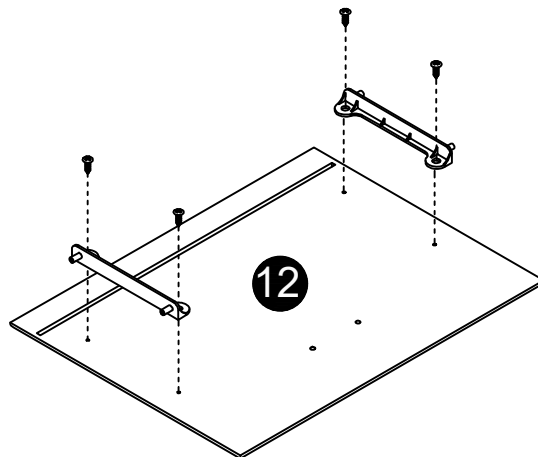
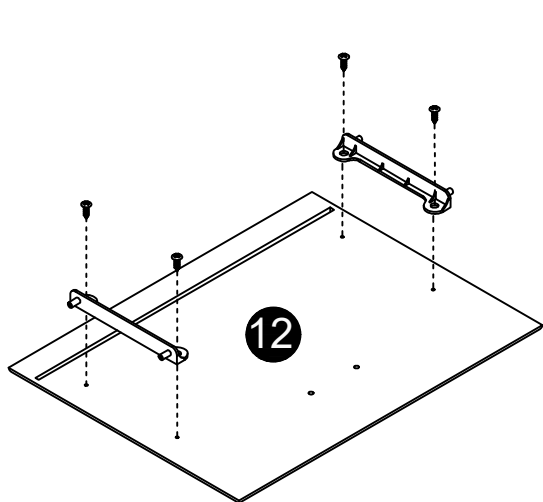
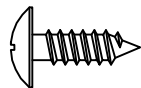
Name	Part	Qty.	Spare
N	 1-1/2" Screw	8	
O	 1-1/2" Screw	7	
P	 9/16" Screw	8	
Q	 1/2" Screw	8	
R	 1/2" Screw	2	
S	 3/5" Screw	19	2
U1		1	
U2		1	
U3		2	
U4		1	
U5		1	

STEP 1

E x 4pcs

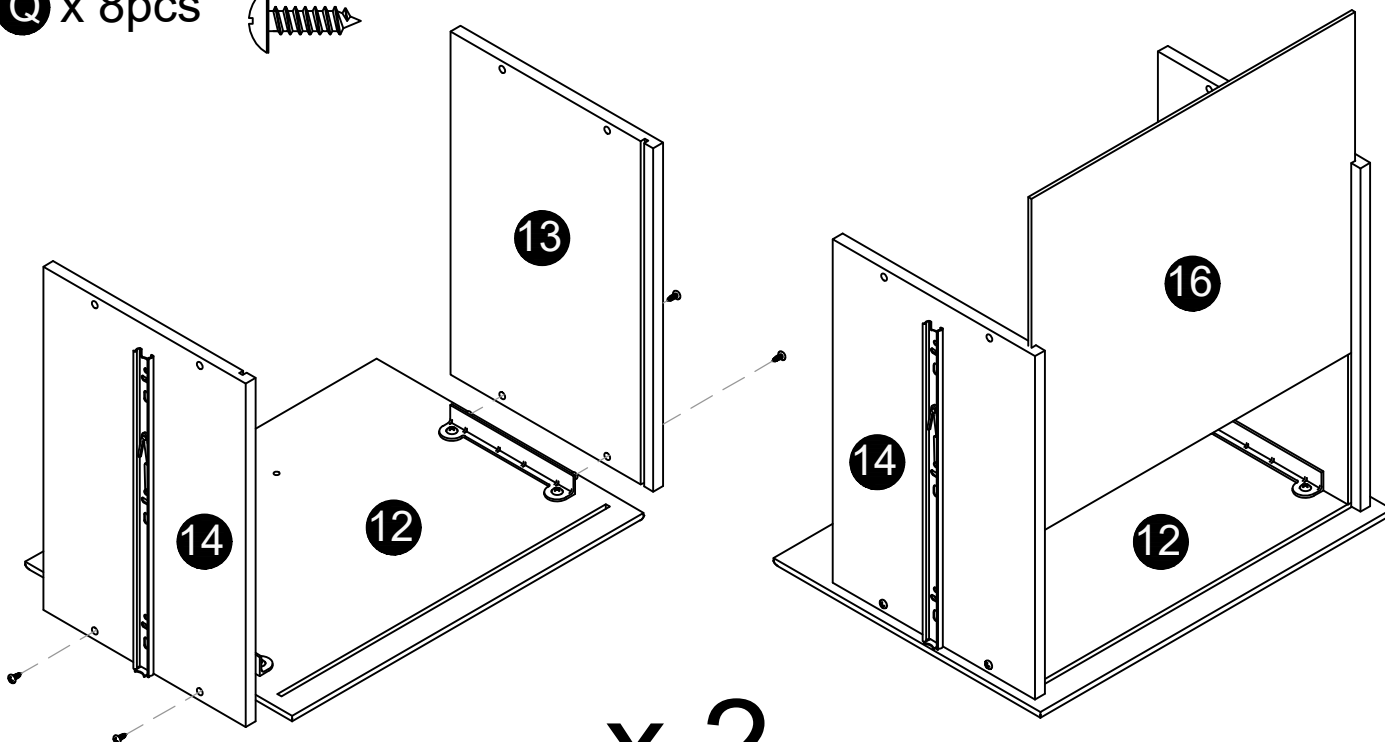
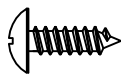


P x 8pcs



STEP 2

Q x 8pcs




x 2


STEP 3


N x 8pcs 

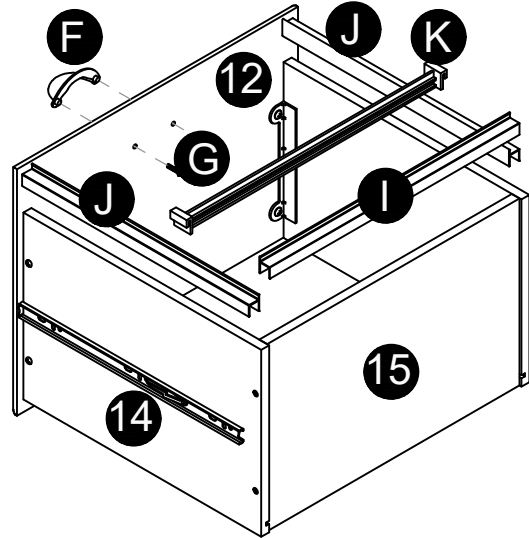
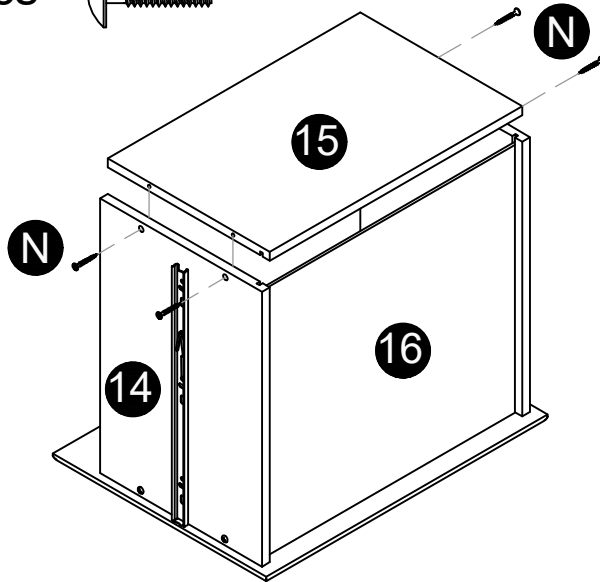
F x 2pcs 

G x 4pcs 

I x 2pcs 

J x 4pcs 

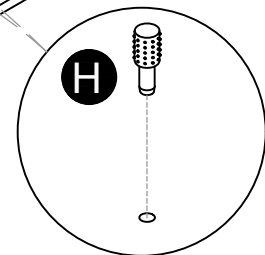
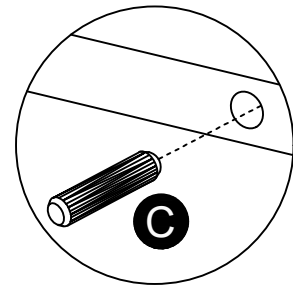
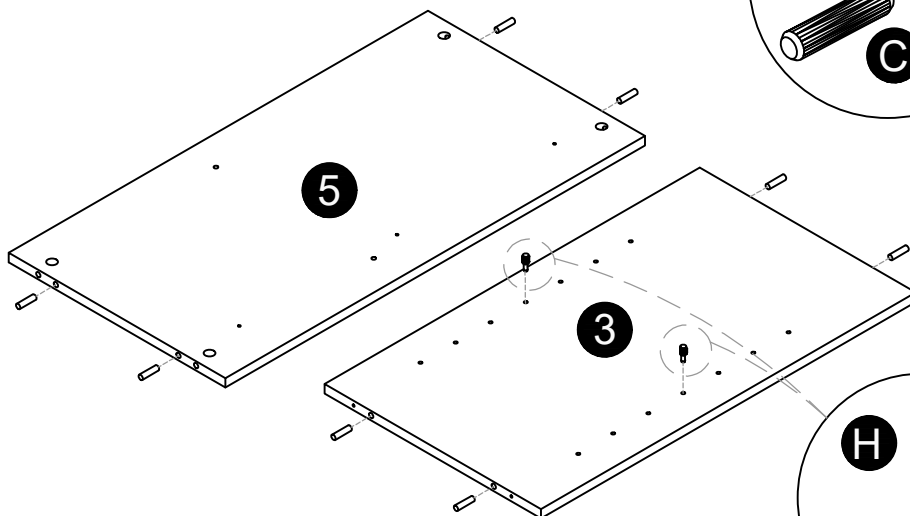
K x 2pcs 



STEP 4

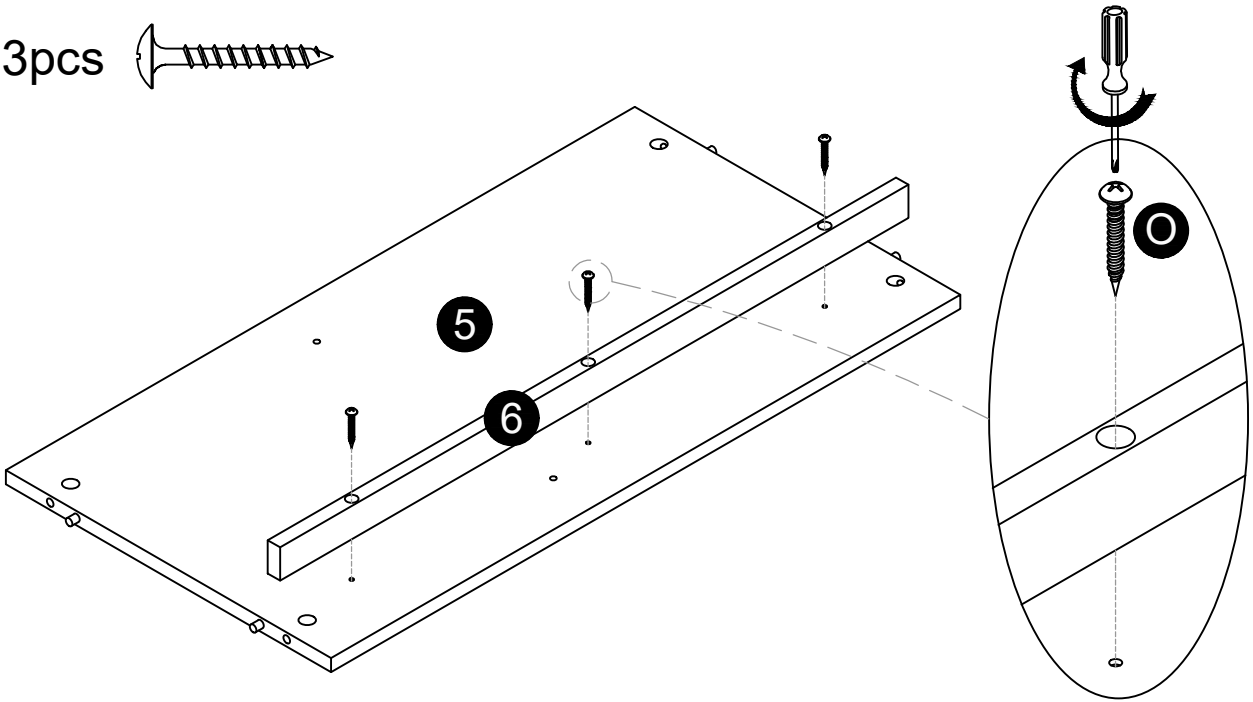
C x 8pcs 

H x 2pcs 



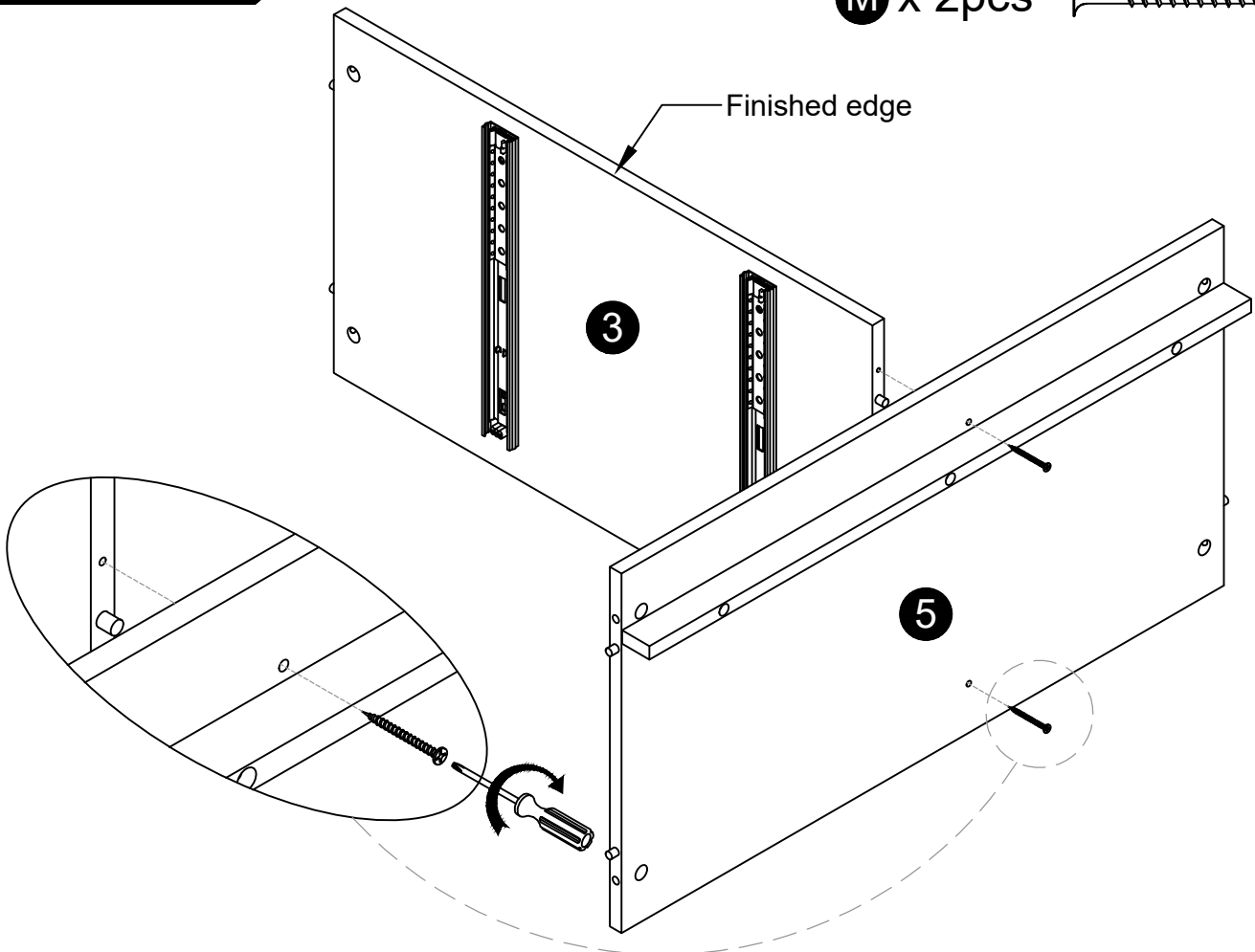
STEP 5

○ x 3pcs 



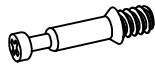
STEP 6

● x 2pcs 



STEP 7

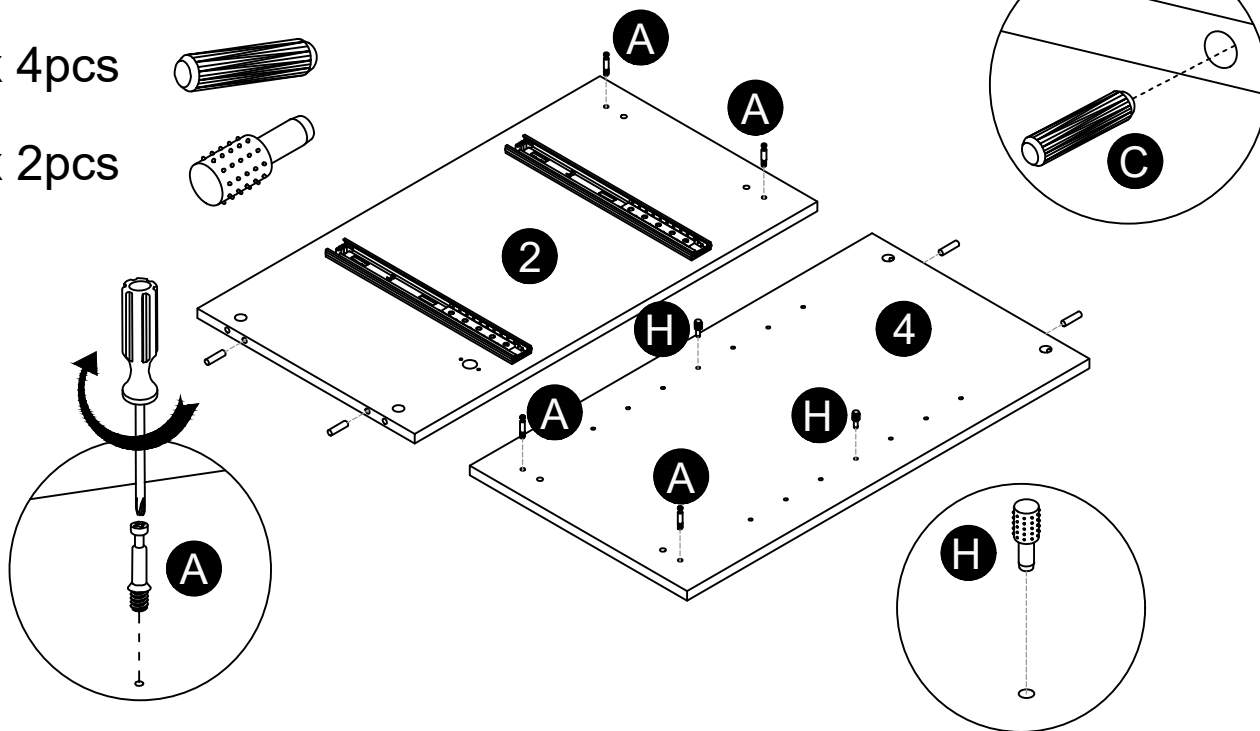
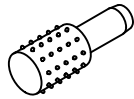
A x 4pcs



C x 4pcs

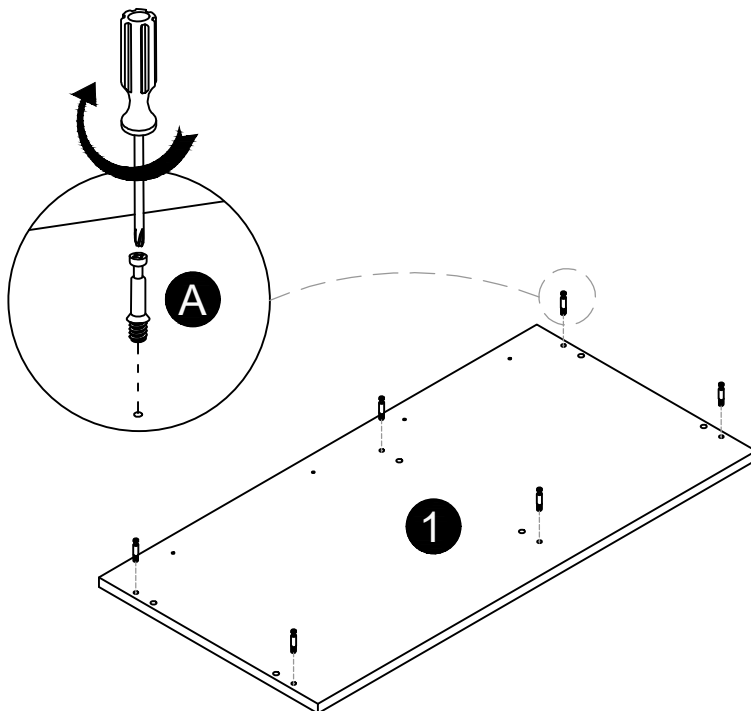
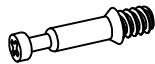


H x 2pcs



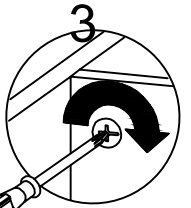
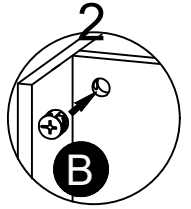
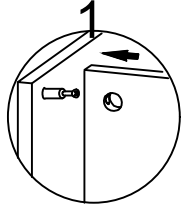
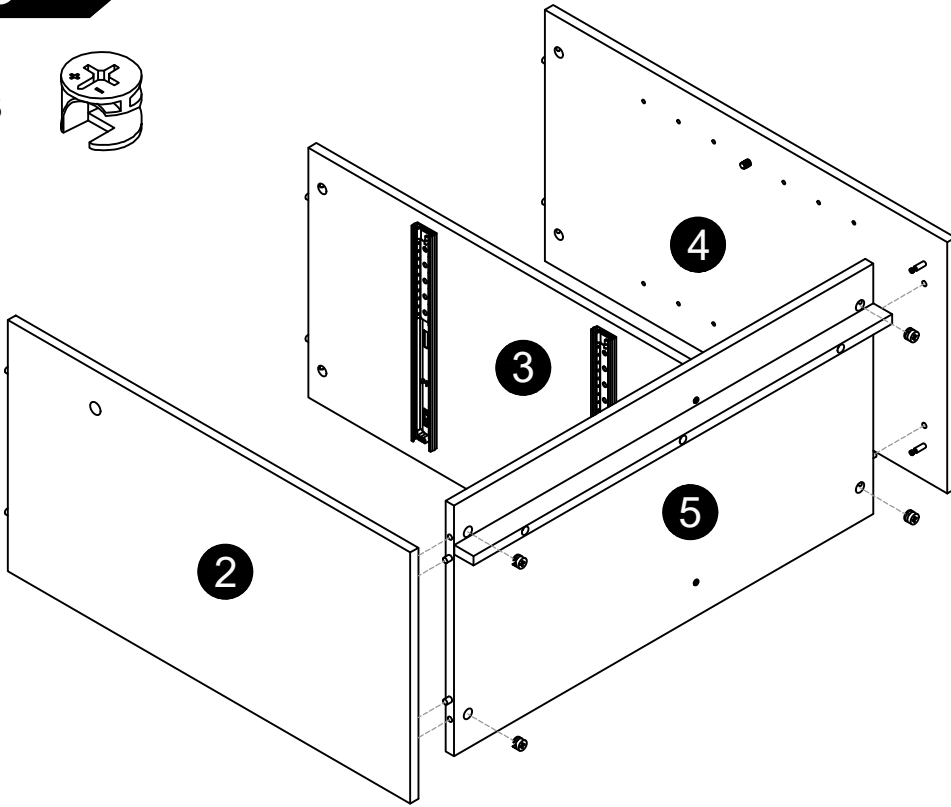
STEP 8

A x 6pcs



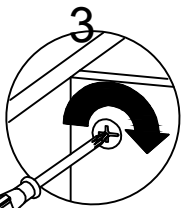
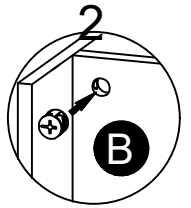
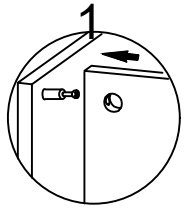
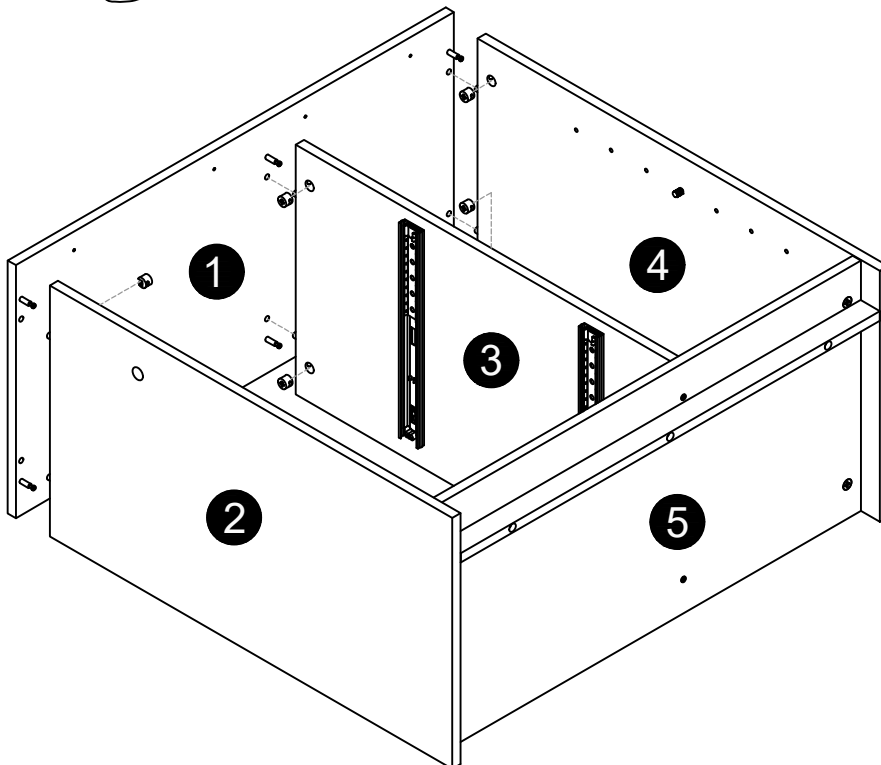
STEP 9

B x 4pcs



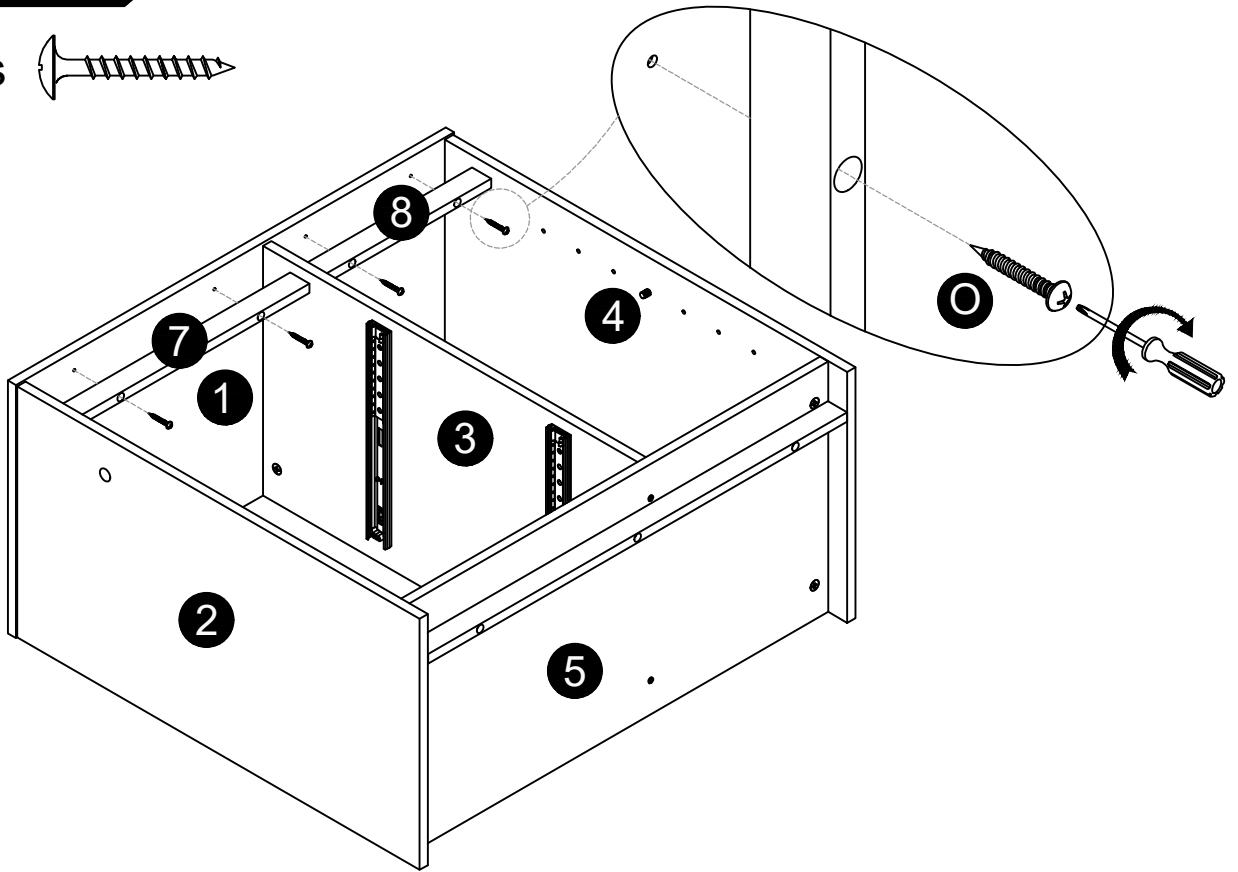
STEP 10

B x 6pcs



STEP 11

⊙ x 4pcs 



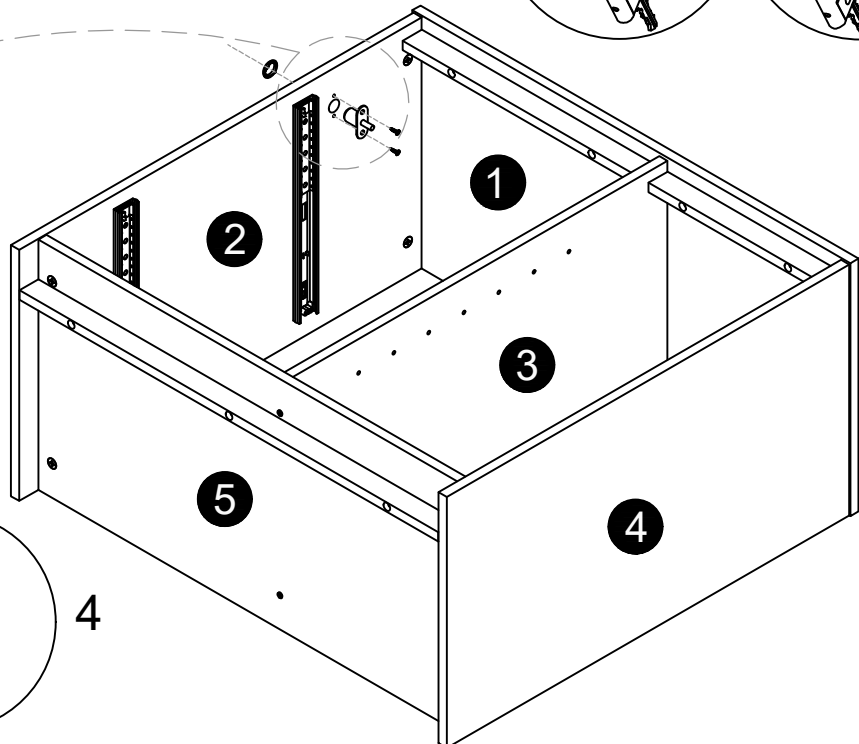
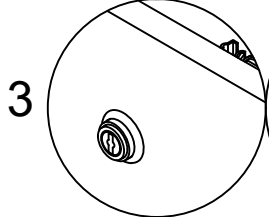
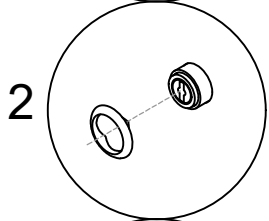
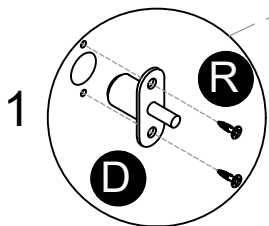
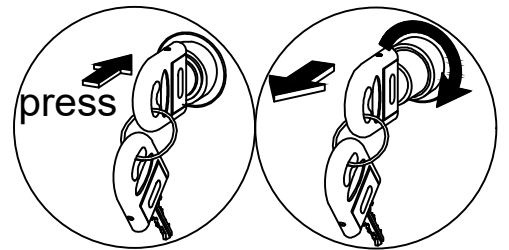
STEP 12

Ⓓ x 1pcs 

Ⓘ x 2pcs 

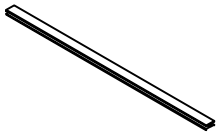
LOCKED

UNLOCKED

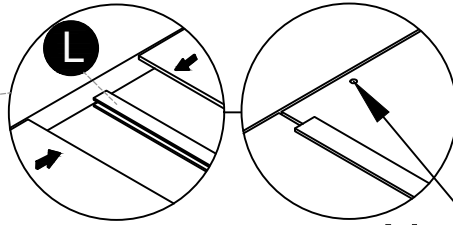


STEP 13

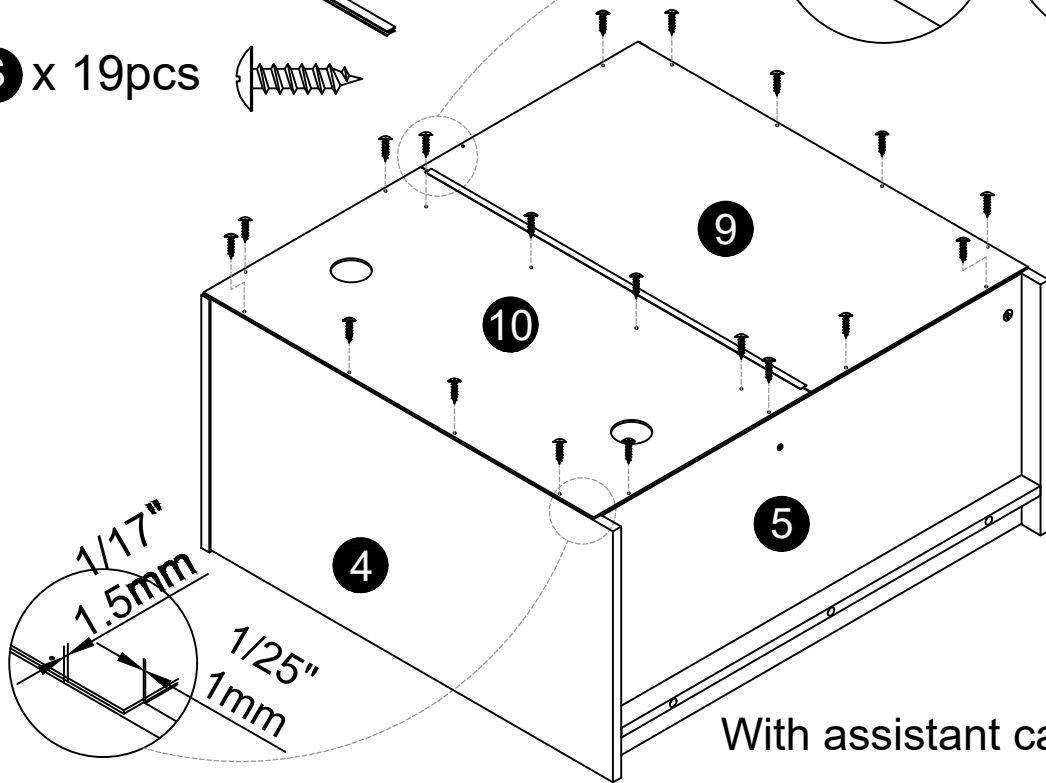
L x 1pcs



S x 19pcs

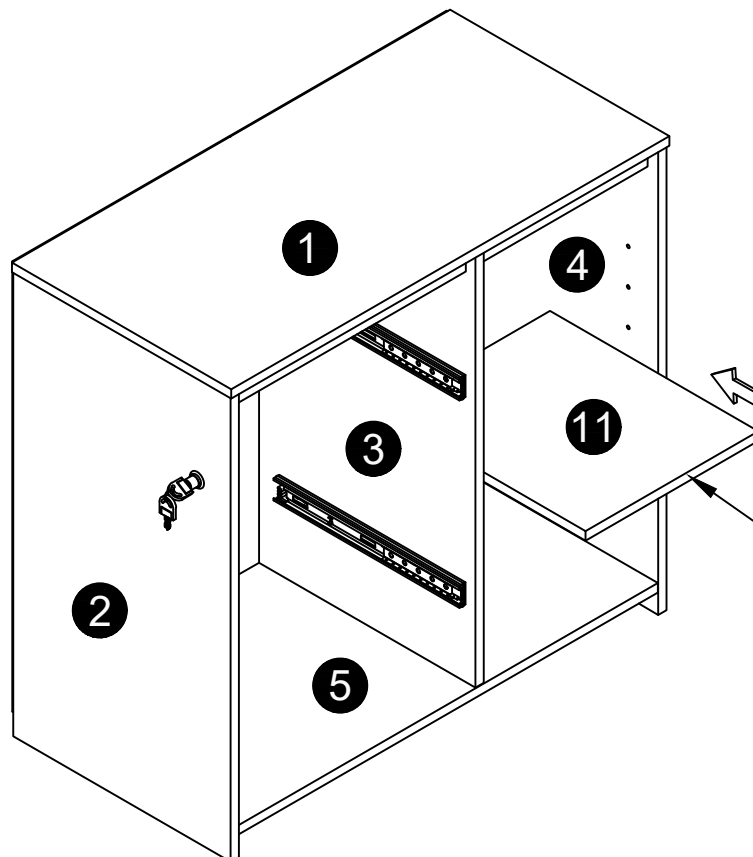


No Screw



With assistant carefully flip unit over

STEP 14



Finished edge

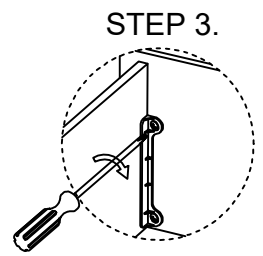
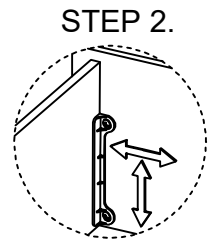
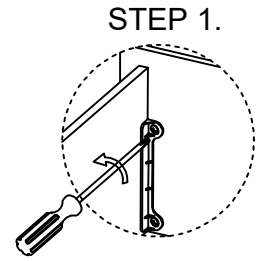
STEP 15

- Move unit to final location.
- Adjust drawer fronts as shown below.

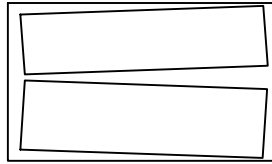
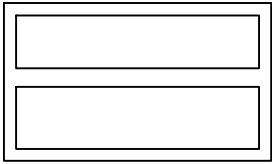
Step1—Loosen screws on back of drawer front brackets as shown.

Step2—Position drawer front as required.

Step3—Tighten screws while holding drawer front in position.



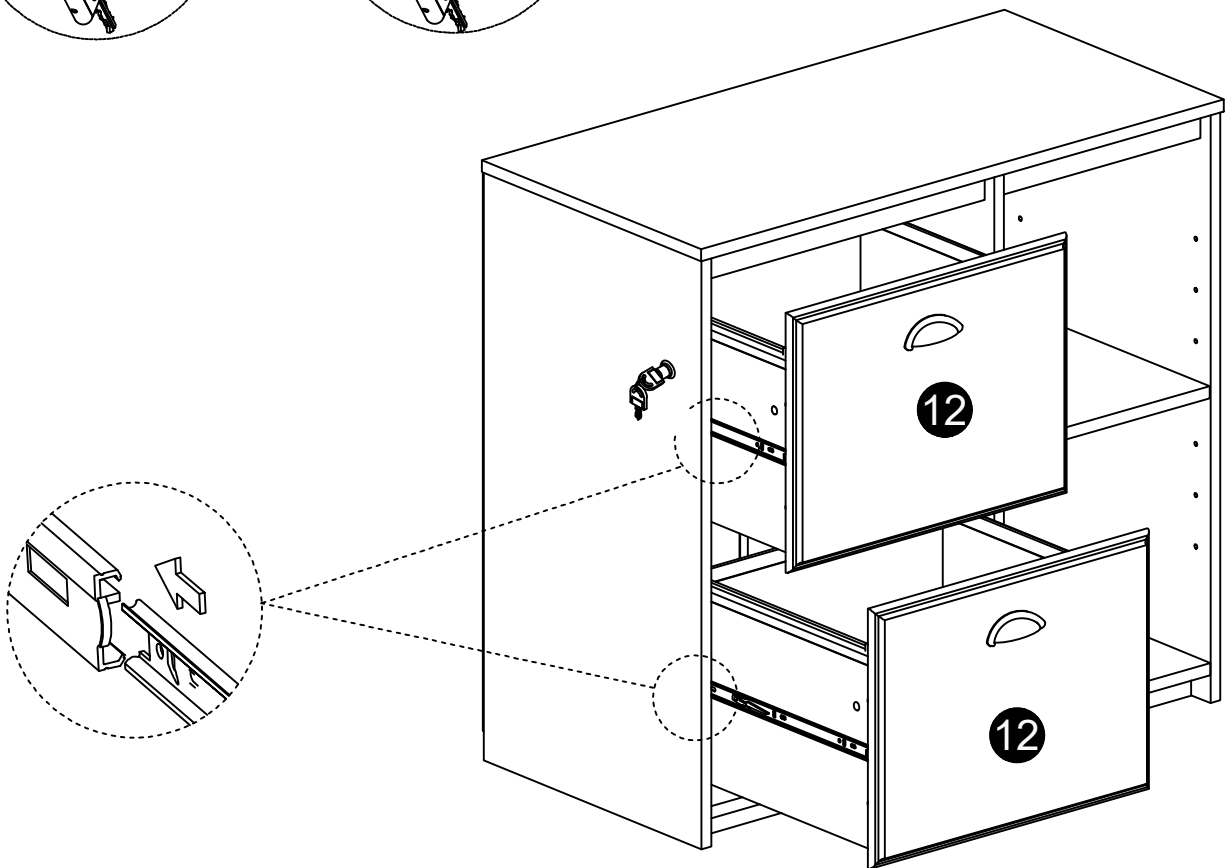
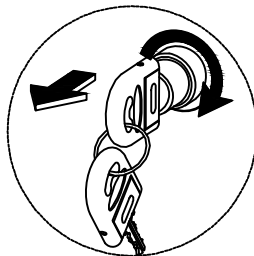
DRAWER FRONT VIEW



LOCKED



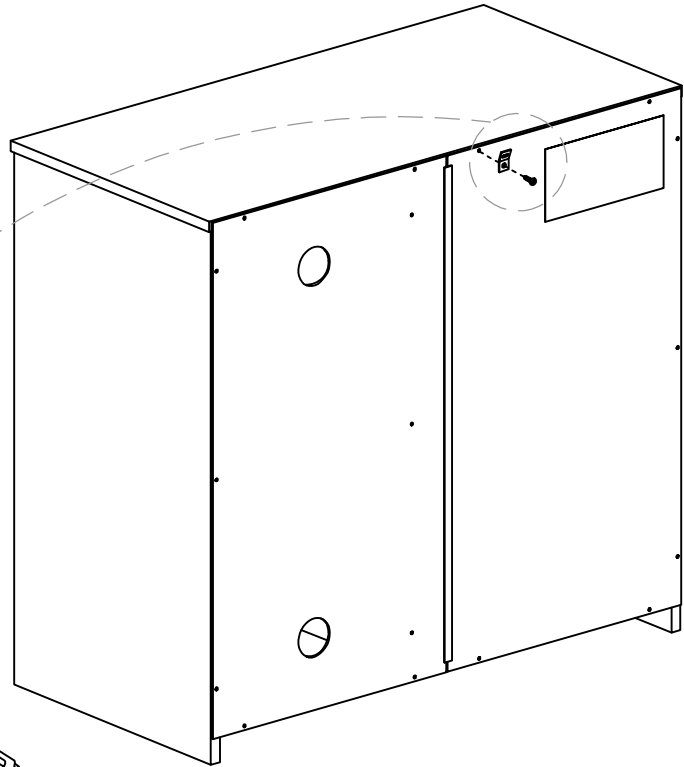
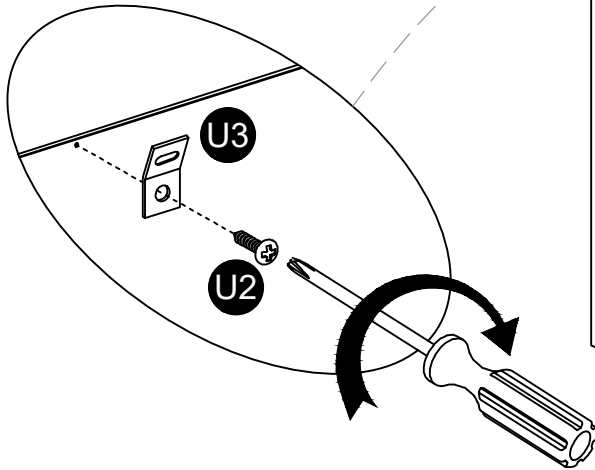
UNLOCKED



STEP 16

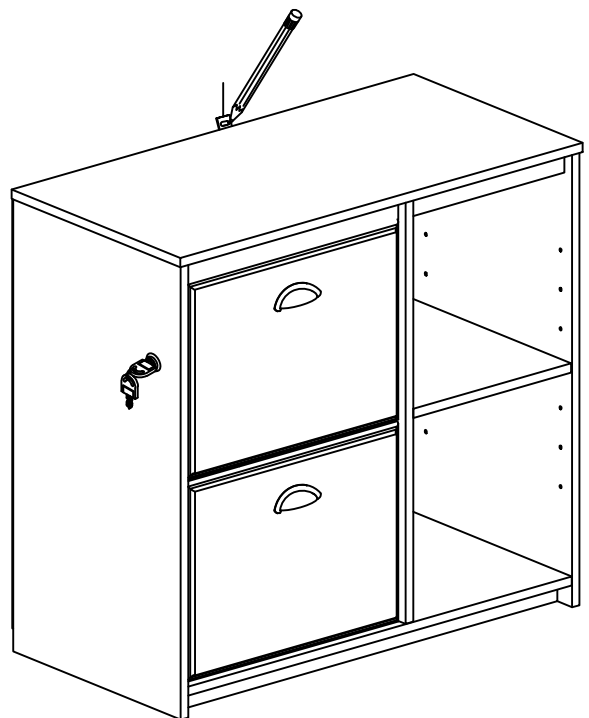
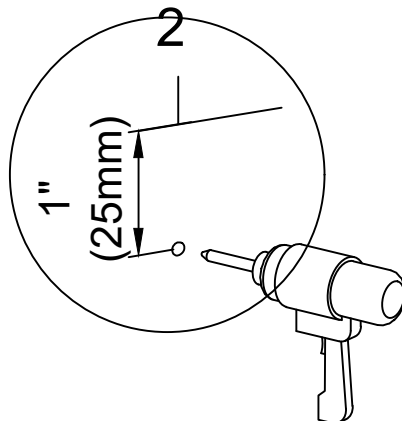
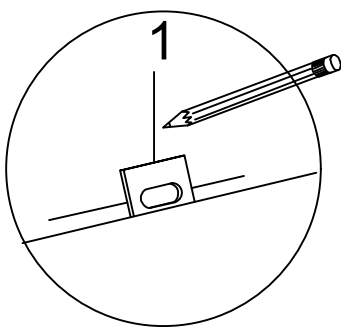
U2 x 1pcs 

U3 x 1pcs 
Connecting Plate



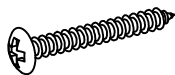
STEP 17

1. Place unit in desired location.
2. Locate wall stud nearest unit center.
3. On wall, mark center of stud location 1" below top of unit.
4. If a wall stud cannot be located mark hollow wall at unit center.

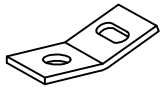


STEP 18

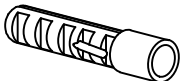
U1 x 1pcs



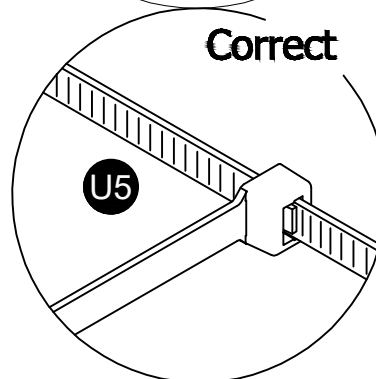
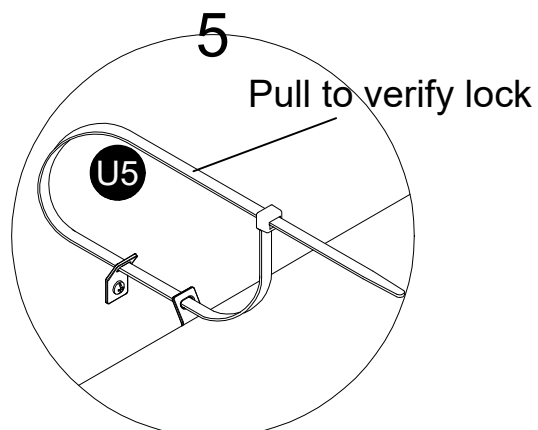
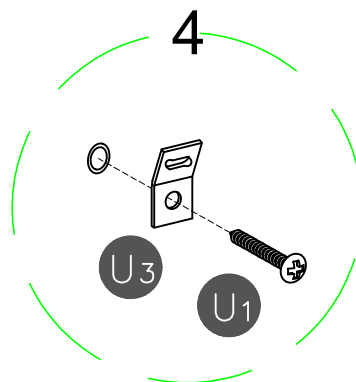
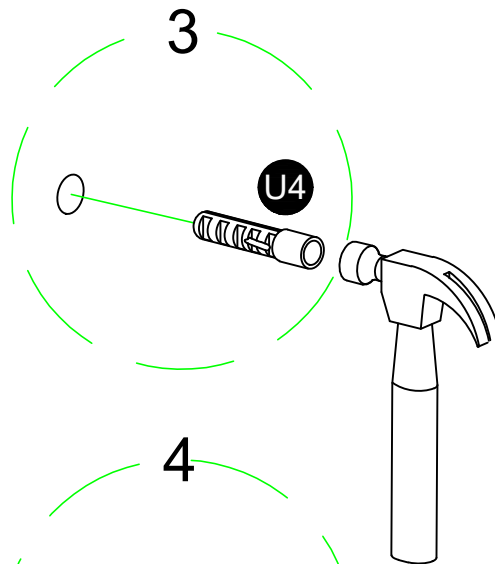
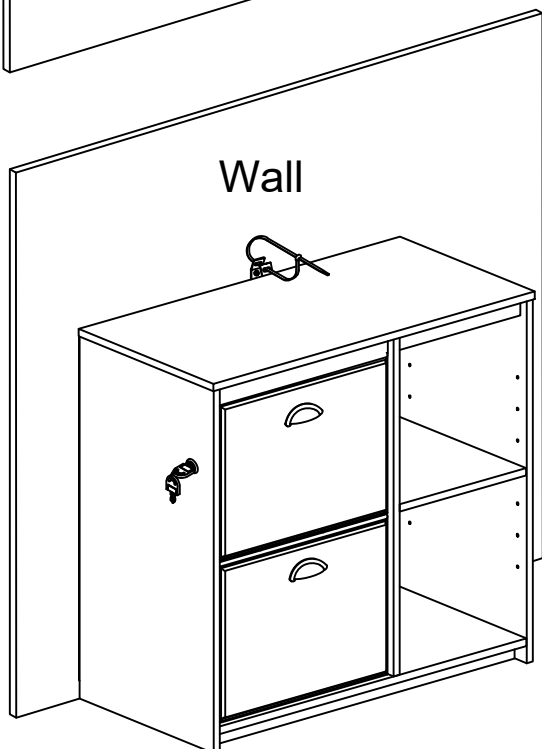
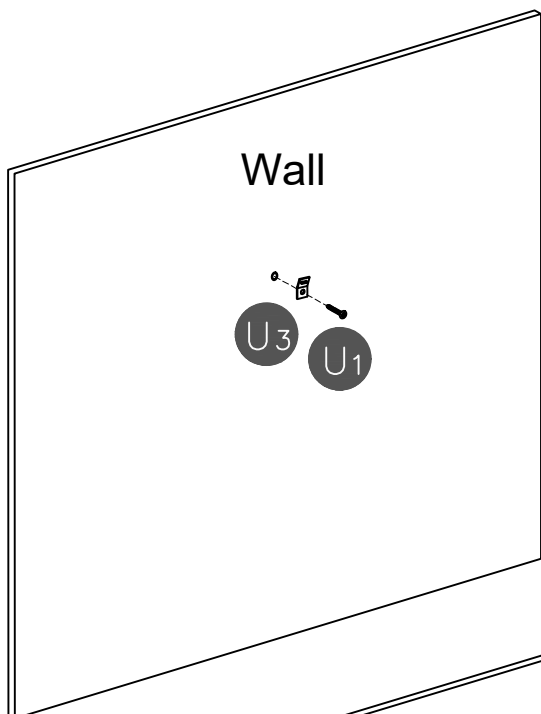
U3 x 1pcs



U4 x 1pcs



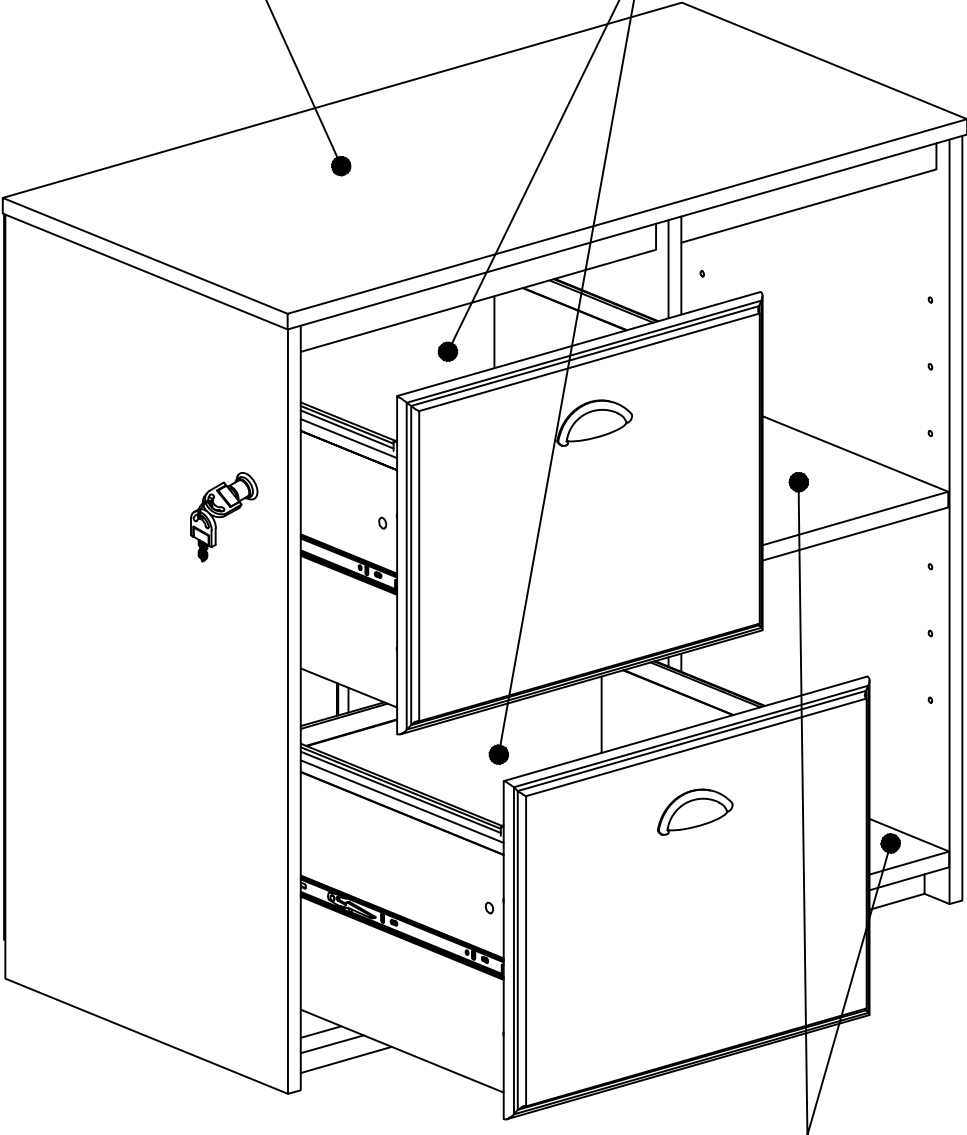
U5 x 1pcs



Maximum weight capacities

MAXIMUM WEIGHT: 99 LBS (45 KG)

MAXIMUM WEIGHT: 35 LBS (16 KG)



MAXIMUM WEIGHT: 22 LBS (10 KG)

THIS PAGE INTENTIONALLY LEFT BLANK

What is Proposition 65?

Proposition 65 is a California law that requires warning labels on products that may contain one of more than 800-plus chemicals or ingredients that the California Office of Environmental Health Hazard Assessment(OEHHA) has deemed to cause cancer or other reproductive toxicity. chemicals and elements on this list include wood dust , brass , and other everyday substances, which can be found in very common household items, such as : lamps , tableware , jewelry , crystal glasses , electric cords , beauty products , automobiles , and furniture.

Why Did I Find a Proposition 65 Warning on My Home Goods Product?

We include Proposition 65 warnings on all of our products because there is always a chance that one of the 800-plus common chemicals and ingredients listed under this law could potentially be on our furniture or packing materials. We risk large fines under this law , if we don't include this warning.

Should I worry?

We realize you may be worried finding this warning on our products , but we want to reassure you that the hazardous exposure limits for any of these chemicals have never been found on furniture products that we've shipped to our customers. Additionally, this warning label is very common and can be found on almost every piece of furniture sold in the state of California.

Just How Common Are Proposition 65 Warnings?

Proposition 65 warnings have become so common in California that it is hard to take a trip to local bank, grocery store , or restaurant without finding at least one warning. In fact, even the Disney Land Resort has a Proposition 65 warning:

