

ASSEMBLY INSTRUCTION

ITEM#: SBSWAD001GY SBSWAD001NC
SBSWAD001DB SBSWAD001WN
SBSWAD001NB SBSWAD001RD

Please read this before beginning assembly and follow instructions carefully

Important Safety Instructions:

- Please read this instruction carefully prior to assembly
- Please ensure all parts and hardware are available in the package prior to assembly
- Use the parts and hardware lists to identify each component included
- Save all packaging material until the completion to avoid any accidental discarding of smaller parts or hardware

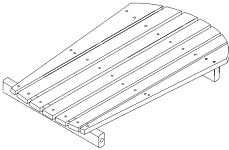
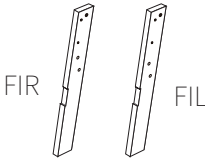
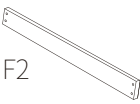

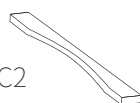
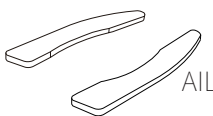
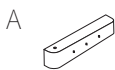
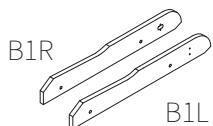
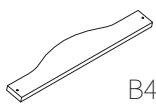
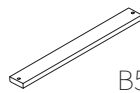

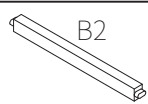

Assembly tips:

- Please align pre drilled holes accurately during installation
- Please insert screws in the right angle
- This product can be damaged if parts are not correctly assembled
- Screw position +/- 3mm is an acceptable range because wood is flexible


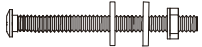




THANK YOU FOR PURCHASING

PARTS LIST

BACKREST	1PC	
FRONT LEG	2PCS	
FRONT LEG CROSS BEAM	1PC	
BACKREST SUPPORT FRAME	2PCS	
MIDDLE BACKREST CROSS BEAM	1PC	
ARMREST	2PCS	
ARMREST SUPPORT	2PCS	
BASE LEG	2PCS	
BASE BOTTOM SUPPORT	1PC	
SEAT SLATS	5PCS	
FRONT SEAT SLAT	1PC	
BASE LEGS CROSS BEAM	1PC	
ARMREST CONNECTION	2PCS	










HARDWARE LIST

a		BOLT (4*38 mm)	55PCS+3 extra
b		BOLT (8*55 mm)	8PCS+1 extra
c		BOLT (8*60 mm)	2PCS+1 extra
d		WRENCH	1PC

TOOLS REQUIRED (not included):

- > Driller with Cross Head Bit or Philips screwdriver
- > Adjustable Wrench

Care & Maintenance

-  ● Do not put hot items directly on furniture surface.
-  ● Do not clean furniture with harsh cleansers or polish.
- ✓  ● To obtain the longest lifespan of your outdoor products, minimizing exposure to direct sunlight is recommended.
-  ● Children should not climb or jump on the furniture.
-  ● Do not write on furniture without a padded barrier to protect the surface.
- ✓  ● To obtain the longest lifespan of your outdoor products, avoid extended and lengthy exposure to rain, snow, and direct sunshine. Whenever possible cover the product and /or place under patio or awnings.
-  ● Not for commercial use. For residential use only.
-  ● Stains may be removed with mild soap solution and damp cloth.
- ✓  ● Dust and pick-up spills using a clean, non-colored, lint-free cloth .



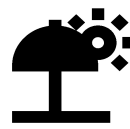
FULL SUN



PARTIAL SUN



SHADE



The Adirodack Chair is made with natural material - Pine Wood.

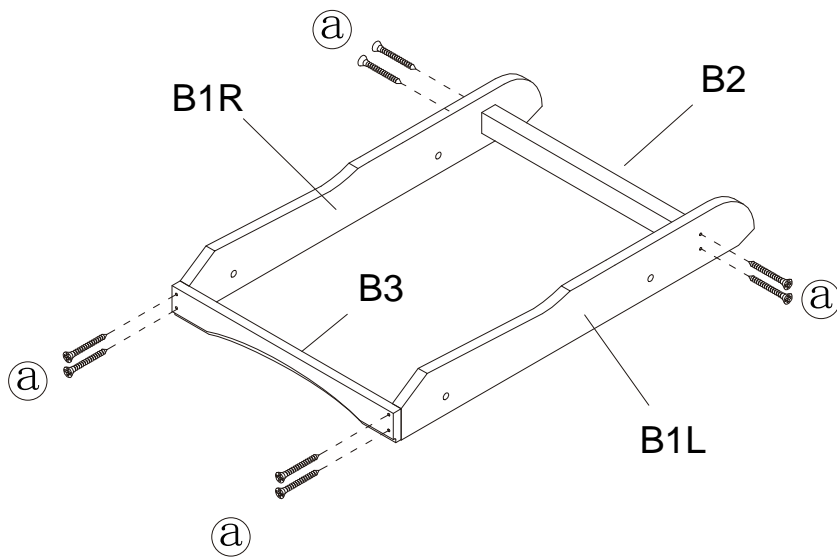
Recommendation: Place the chair under the shade or partial sun area.

Do not expose the chair to the sun to maintain the color and life span of the natural wood material.

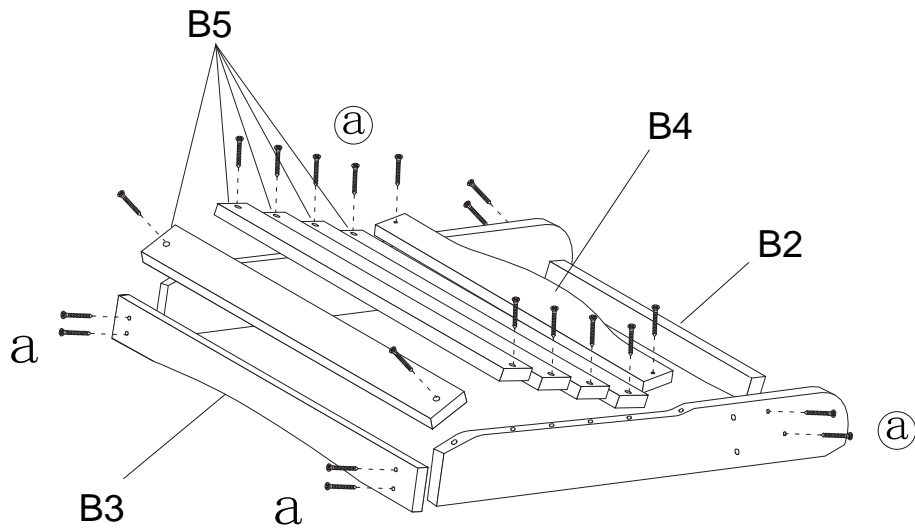
ASSEMBLY INSTRUCTION STEPS

Please make sure that there is no space between parts before turning the screws.

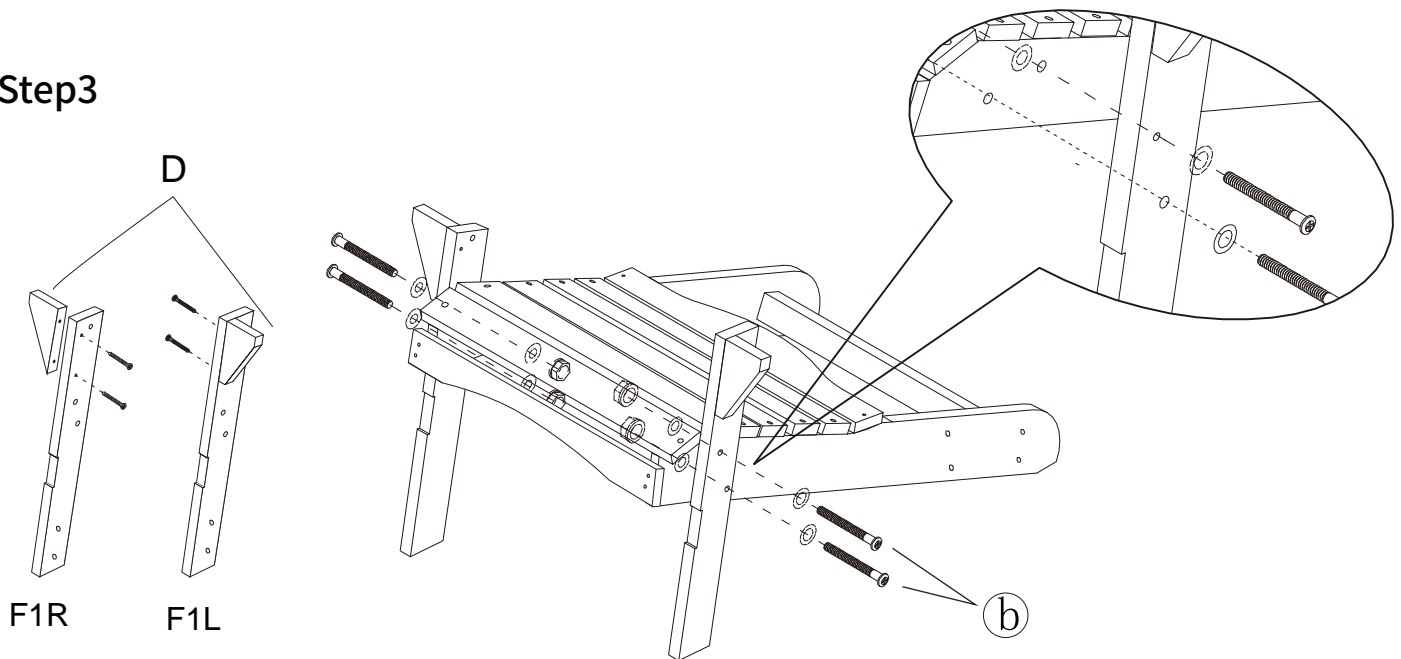
Step1



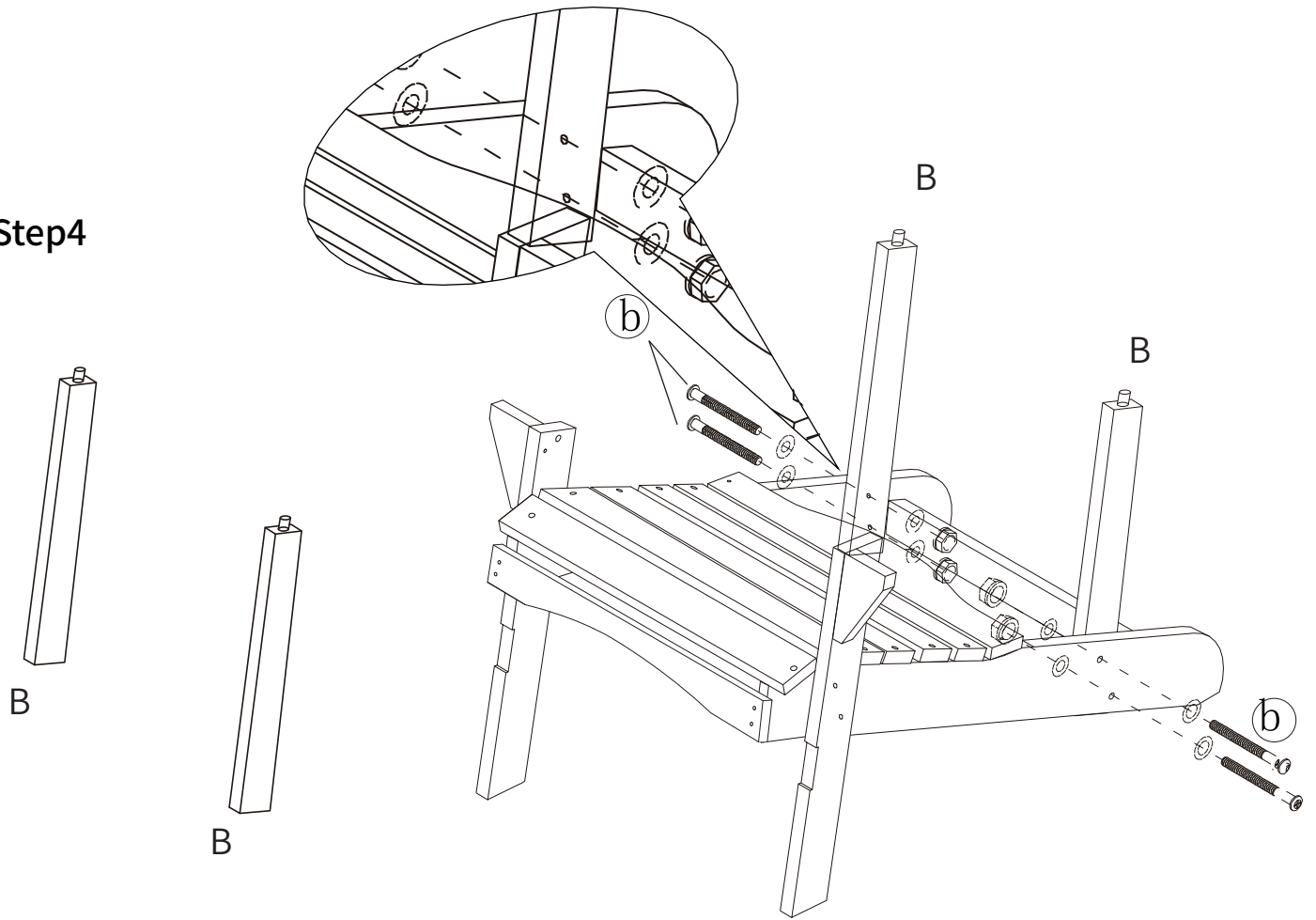
Step2



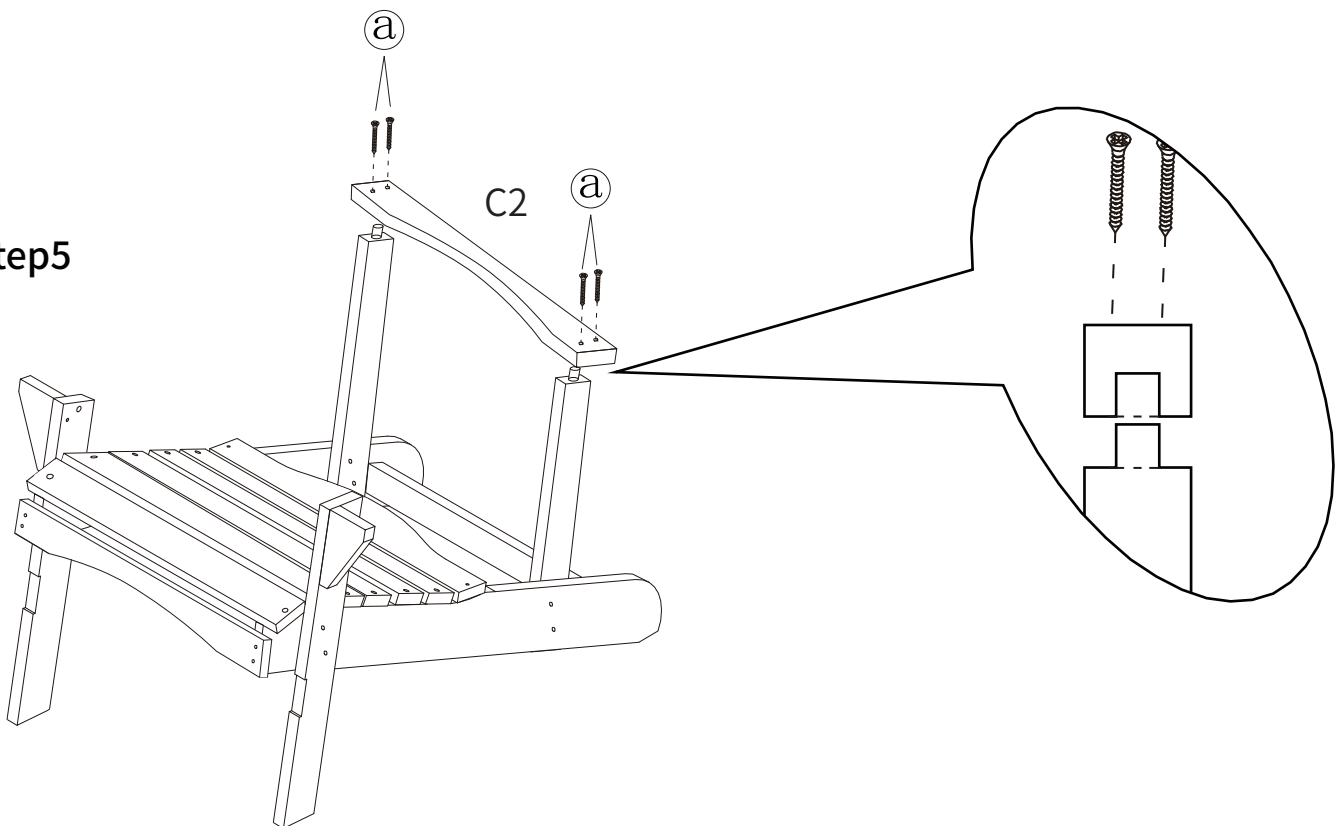
Step3



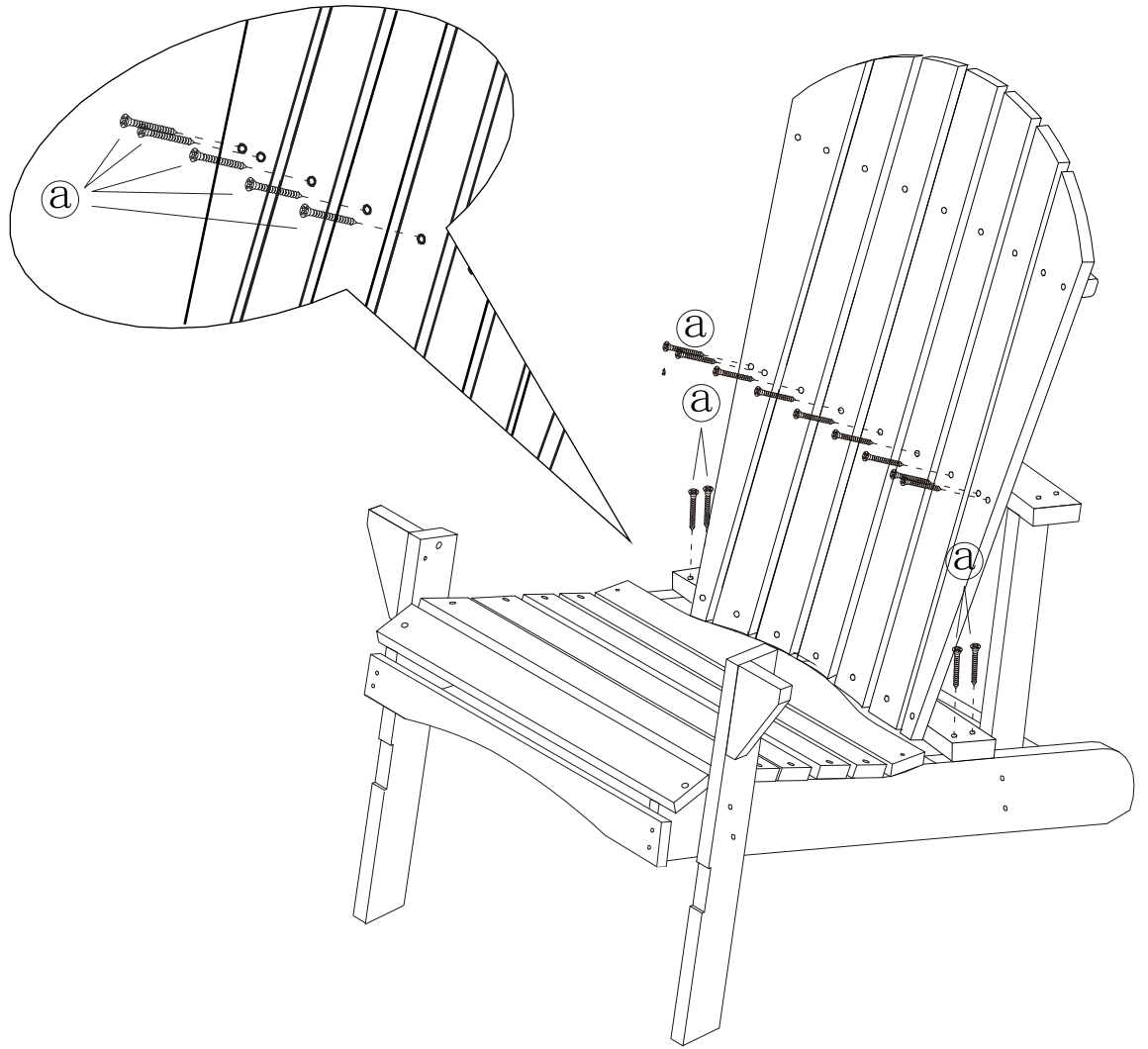
Step4



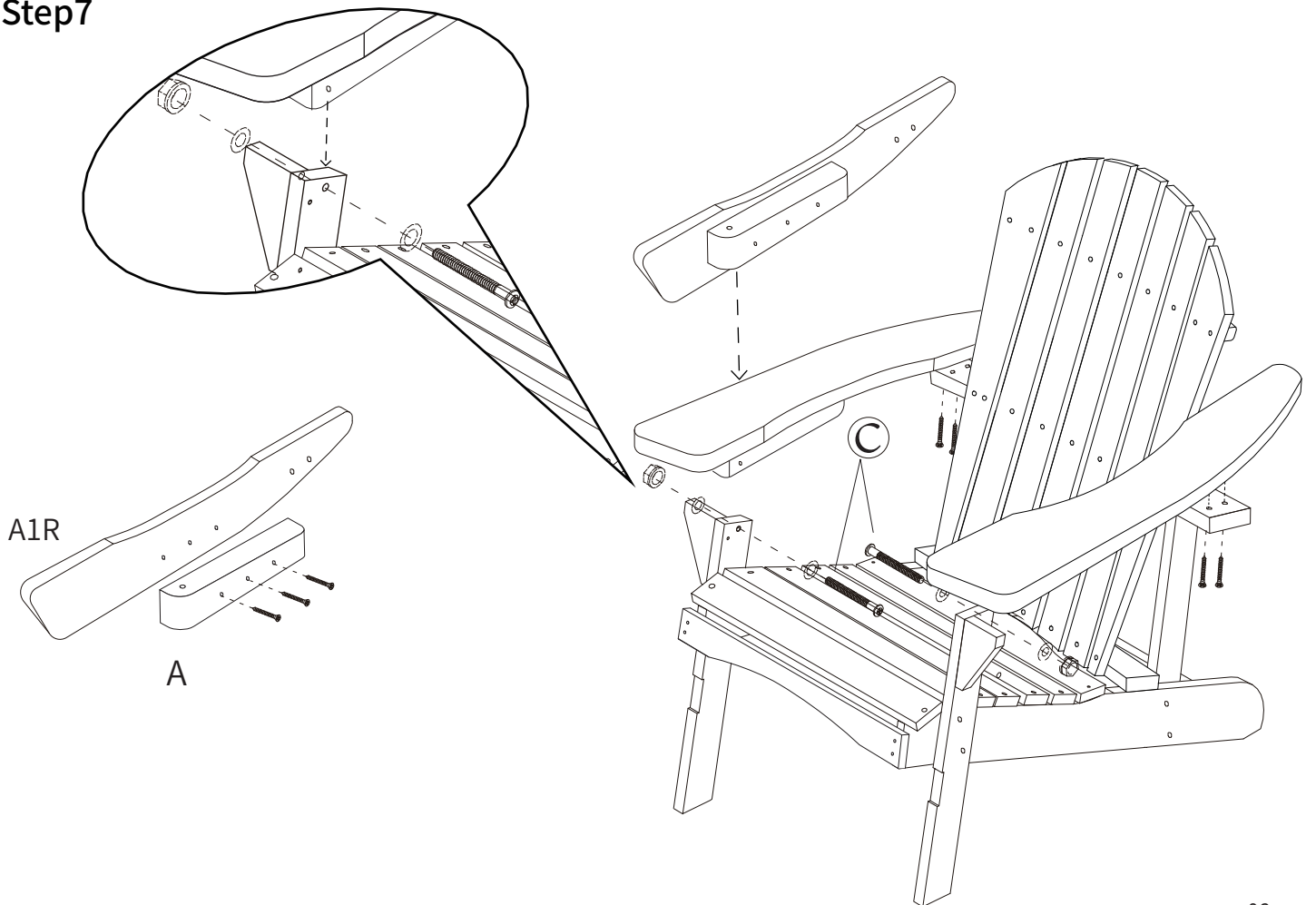
Step5



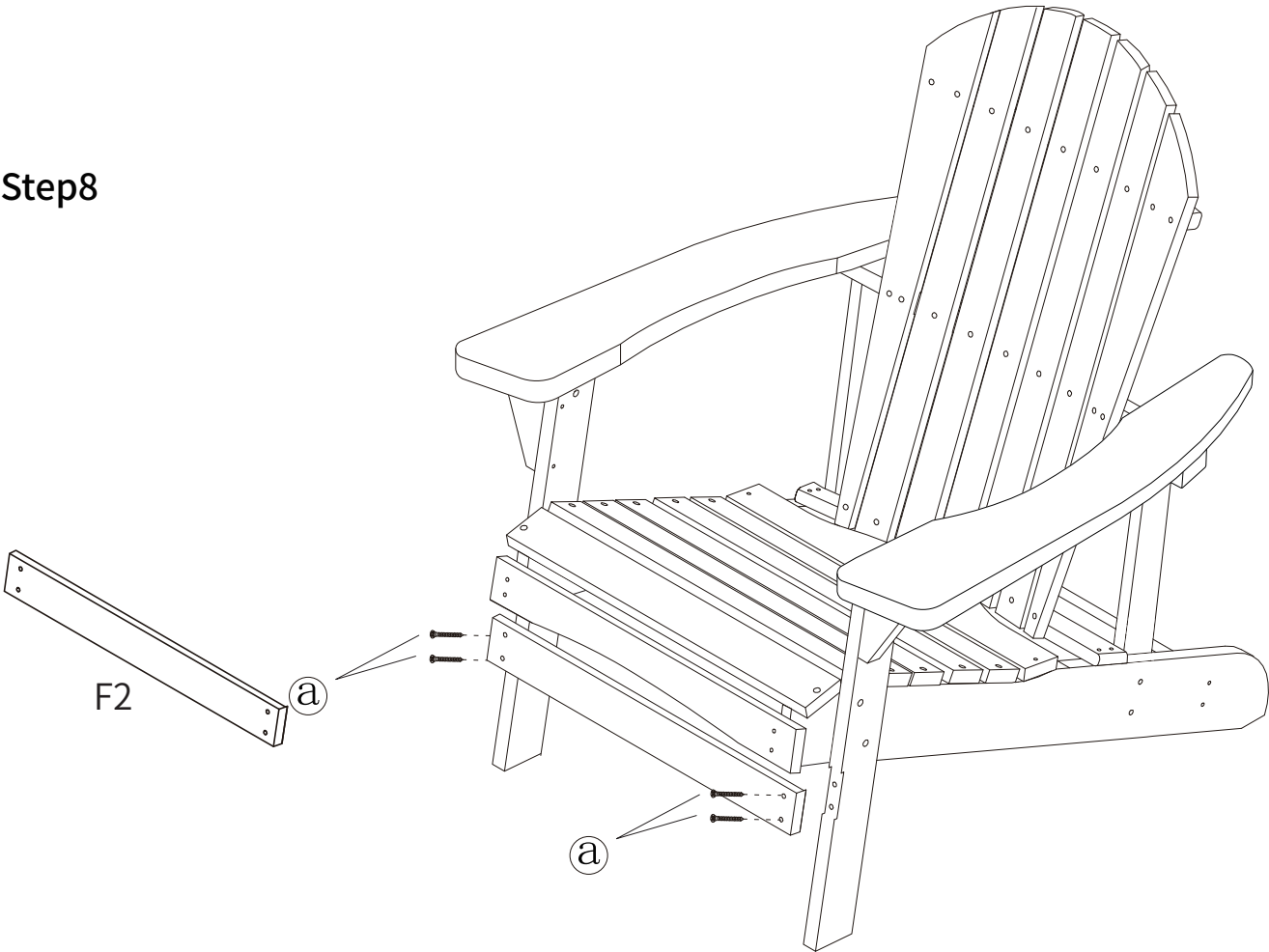
Step6



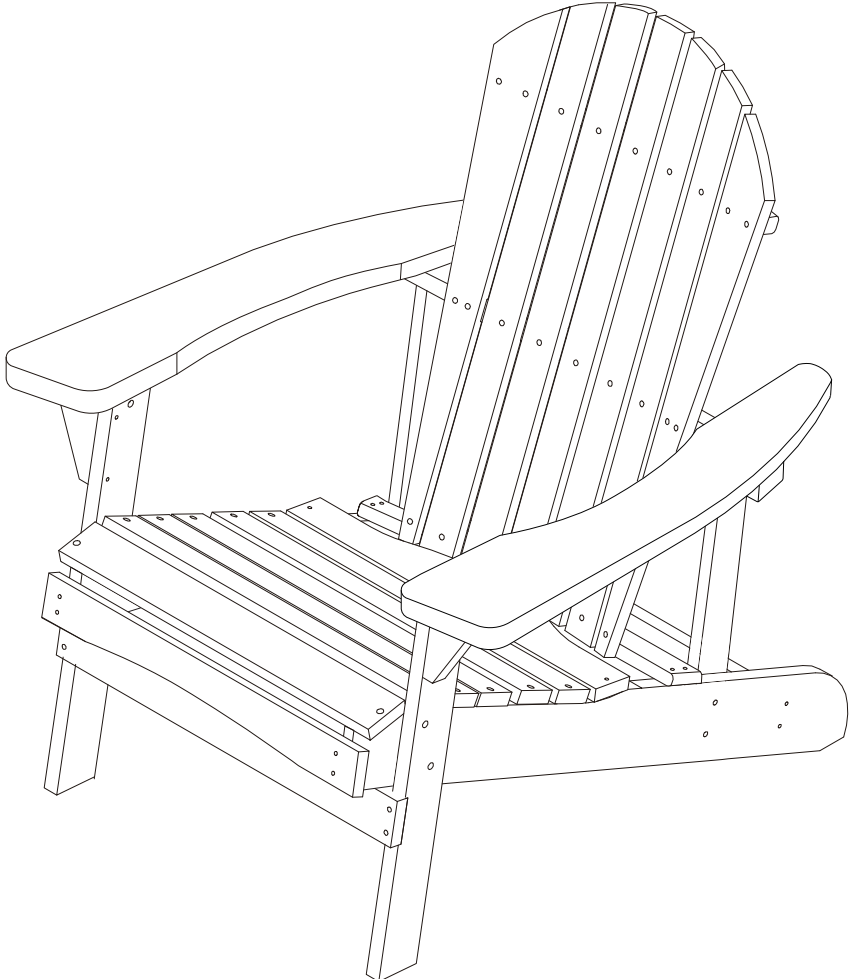
Step7



Step8












Final Assembly



Maximum weight capacities: 250lbs

Care & Maintenance

- ⊘  ● Do not put hot items directly on furniture surface.
- ⊘  ● Do not clean furniture with harsh cleansers or polish.
- ✓  ● To obtain the longest lifespan of your outdoor products, minimizing exposure to direct sunlight is recommended.
- ⊘  ● Children should not climb or jump on the furniture.
- ⊘  ● Do not write on furniture without a padded barrier to protect the surface.
- ✓  ● To obtain the longest lifespan of your outdoor products, avoid extended and lengthy exposure to rain, snow, and direct sunshine. Whenever possible cover the product and /or place under patio or awnings.
- ⊘  ● Not for commercial use. For residential use only.
- ⊘  ● Stains may be removed with mild soap solution and damp cloth.
- ✓  ● Dust and pick-up spills using a clean, non-colored, lint-free cloth .



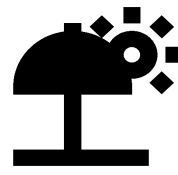
FULL SUN



PARTIAL SUN



SHADE



The Adirodack Chair is made with natural material - Pine Wood.

Recommendation: Place the chair under the shade or partial sun area.

Do not expose the chair to the sun to maintain the color and life span of the natural wood material.