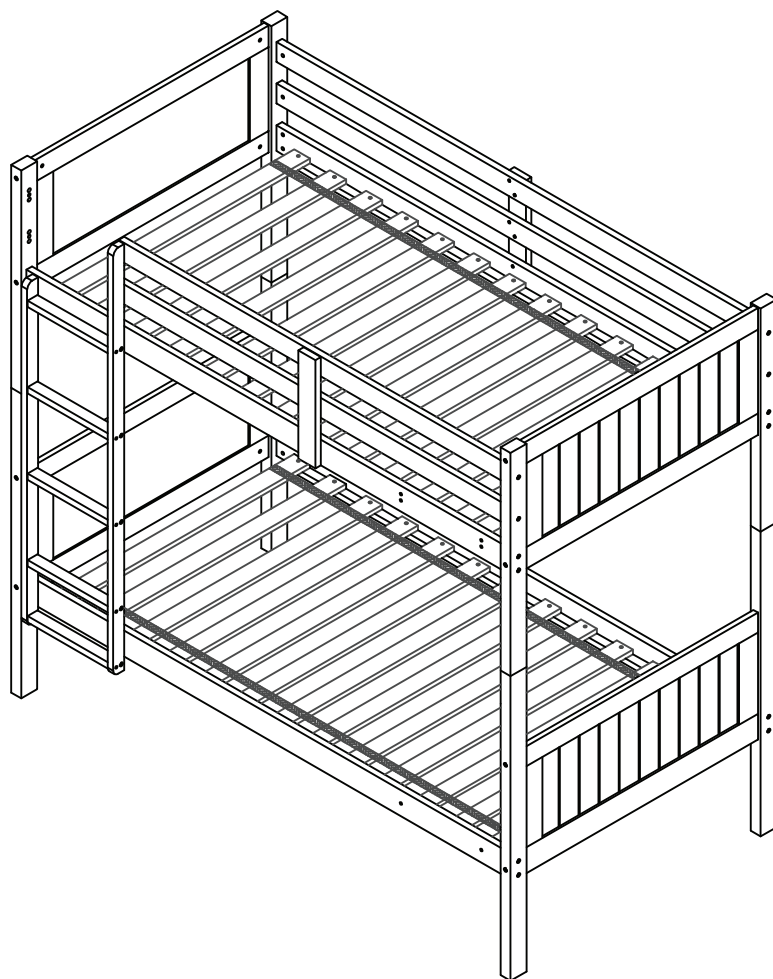


# orbelle.

347 Clinton Street  
Hempstead NY 11550  
Tel : 516-481-1500  
See More : [www.orbelle.com](http://www.orbelle.com)

## **BUNK BED : BB 7278**



### **WARNING !!!**

Use on the top Bunk (bed) a maximum 7" mattress

ONLY FOR ILLUSTRATION

**MADE IN MALAYSIA**

# Assembly Instruction



## **SAFETY WARNING**

**Read all instructions carefully before assembling this product.**

1. Follow the information on the warnings appearing on the upper bunk end structure and on the carton. Do not remove warning label from bed.
2. Always use the recommended size mattress or mattress support, or both, to help prevent the likelihood of entrapment or falls.
3. Surface of mattress must be at least 5 in. (127 mm) below the upper edge of guardrails.
4. Do not allow children under 6 years of age to use the upper bunk.
5. Periodically check and ensure that the guardrail, ladder, and other components are in their proper position, free from damage, and that all connectors are tight.
6. Do not allow horseplay on or under the bed and prohibit jumping on the bed.
7. Prohibit more than one person on upper bunk.
8. Always use the ladder for entering and leaving the upper bunk.
9. Do not use substitute parts. Contact the manufacturer or dealer for replacement parts.
10. Use of a night light may provide added safety precaution for a child using the upper bunk.
11. Always use guardrails on both long sides of the upper bunk. If the bunk bed will be placed next to the wall, the guardrail that runs the full length of the bed should be placed against the wall to prevent entrapment between the bed and wall.
12. The use of water or sleep flotation mattresses is prohibited.
13. **STRANGULATION HAZARD**-Never attach or hang items to any part of the bunk bed that are not designed for use with the bed; for example, but not limited to hooks, belts and jump ropes.
14. Keep these instructions for future reference.

### **SIZE OF MATTRESS AND FOUNDATION:**

- Use only a mattress which is 74" - 75" inches long and 38" - 38 1/2" inches wide for model in 39" inches. For model in 33" inches use mattress 32 1/2 " inches wide on upper bunk.
- Ensure that the thickness of the mattress does not exceed 7" and that the mattress surface is at least 5" (127mm) below the upper edge of the guardrails.
- Use only a mattress which is 74" - 75" inches long and 38" - 38 1/2" inches wide for model in 39" inches. For model in 33" inches use mattress 32 1/2 " inches wide on lower bunk.
- Ensure that the thickness of the mattress does not exceed 7".

### **WARNING:**

**Adult Assembly Required. This package contains small parts. Keep away from children.**

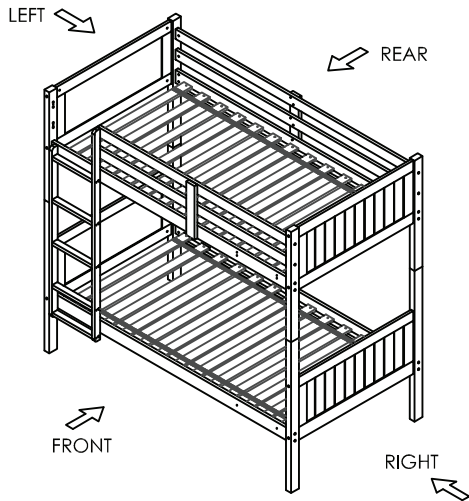
### **Replacement Parts:**

Replacement parts may be obtained from your Orbelle dealer.

**IMPORTANT: ALL CONNECTIONS MUST BE TIGHTENED PROPERLY**

Distributed by :  
Orbelle  
347 Clinton Street  
Hempstead NY 11550

# ASSEMBLY INSTRUCTIONS



## ASSEMBLY TIPS

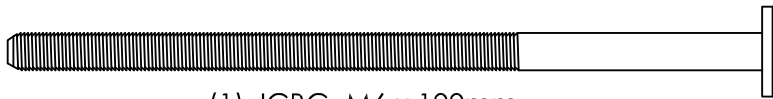
1. Remove hardware from box and sort by size.
2. Please check to see that all hardware and parts are present prior start of assembly.
3. Please follow attached instructions in the same sequence as numbered to assure fast and easy assembly.



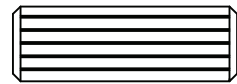
## Warning !

1. Don't attempt to repair or modify parts that are broken or defective. Please contact the store immediately.
2. This product is for home use only and not intended for commercial establishments.

## HARDWARE LIST



(1) JCBC M6 x 100mm  
16pcs



(6) WOOD DOWEL Ø10 x 30mm  
40pcs



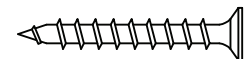
(2) JCBC M6 x 80mm  
22pcs



(7) BARREL NUT M6 x 13mm  
48pcs



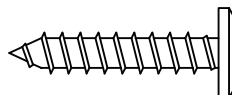
(3) JCBC M6 x 60mm  
10pcs



(8) WOOD SCREW  
M4.0 x 30mm  
44pcs



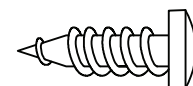
(4) JCBC M6 x 30mm  
10pcs



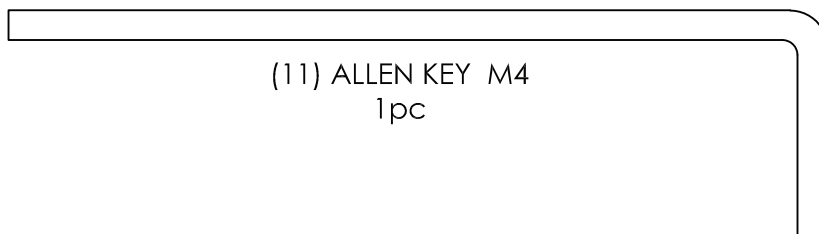
(5) JCBC - W M6 x 30mm  
16pcs



(10) METAL PIN Ø9.5 x 127mm  
4pcs

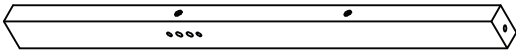

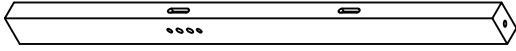
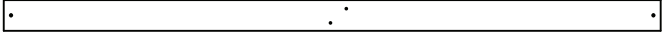
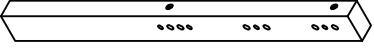
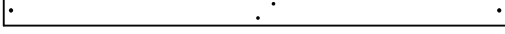
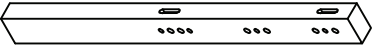
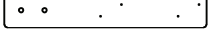
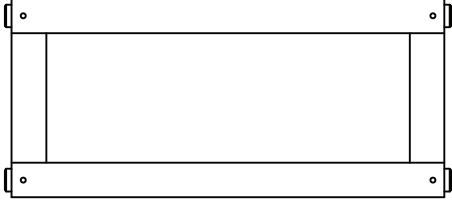
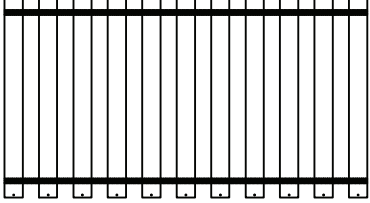



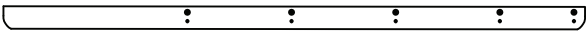





(9) PAN HEAD  
SCREW  
M4.0 x 38mm  
4pcs



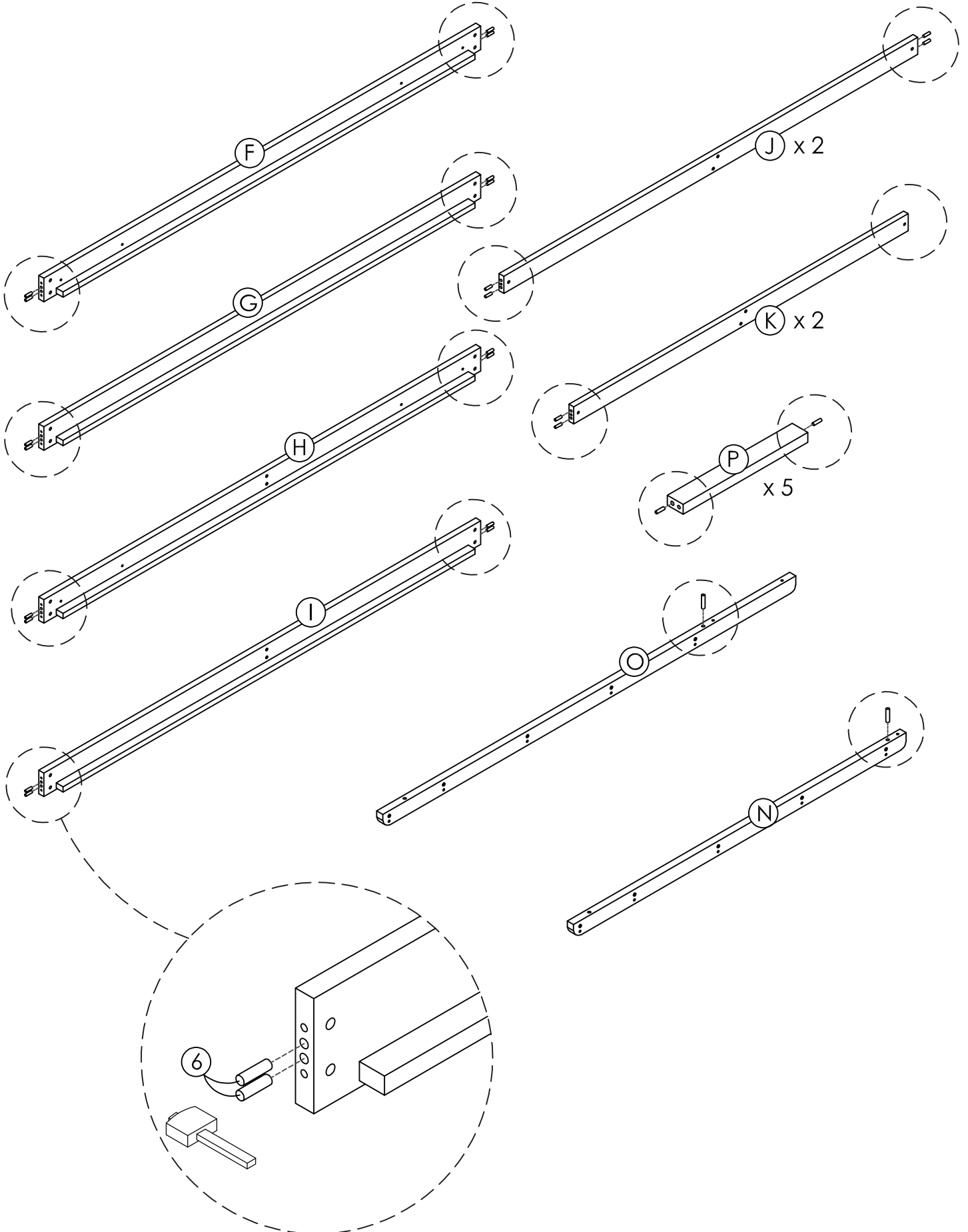
(11) ALLEN KEY M4  
1pc

# COMPONENT LIST

A	 <p>LOWER LEG (LEFT FRONT &amp; RIGHT REAR)</p>	2 pcs	I	 <p>SIDE RAIL (UPPER REAR)</p>	1 pc
B	 <p>LOWER LEG (RIGHT FRONT &amp; LEFT REAR)</p>	2 pcs	J	 <p>REAR GUARD RAIL</p>	2 pcs
C	 <p>UPPER LEG (LEFT FRONT &amp; RIGHT REAR)</p>	2 pcs	K	 <p>FRONT GUARD RAIL</p>	2 pcs
D	 <p>UPPER LEG (RIGHT FRONT &amp; LEFT REAR)</p>	2 pcs	L	 <p>GUARD RAIL SUPPORT</p>	2 pcs
E	 <p>LOWER HEADBOARD / FOOTBOARD FRAME</p>	4 pcs	M	 <p>SLAT</p>	2 sets
F	 <p>SIDE RAIL (LOWER FRONT)</p>	1 pc	N	 <p>SHORT LADDER RAIL</p>	1 pc
G	 <p>SIDE RAIL (LOWER REAR)</p>	1 pc	O	 <p>LONG LADDER RAIL</p>	1 pc
H	 <p>SIDE RAIL (UPPER FRONT)</p>	1 pc	P	 <p>LADDER STRETCHER</p>	5 pcs
			Q	 <p>TOP RAIL</p>	2 pcs



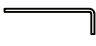
STEP 1

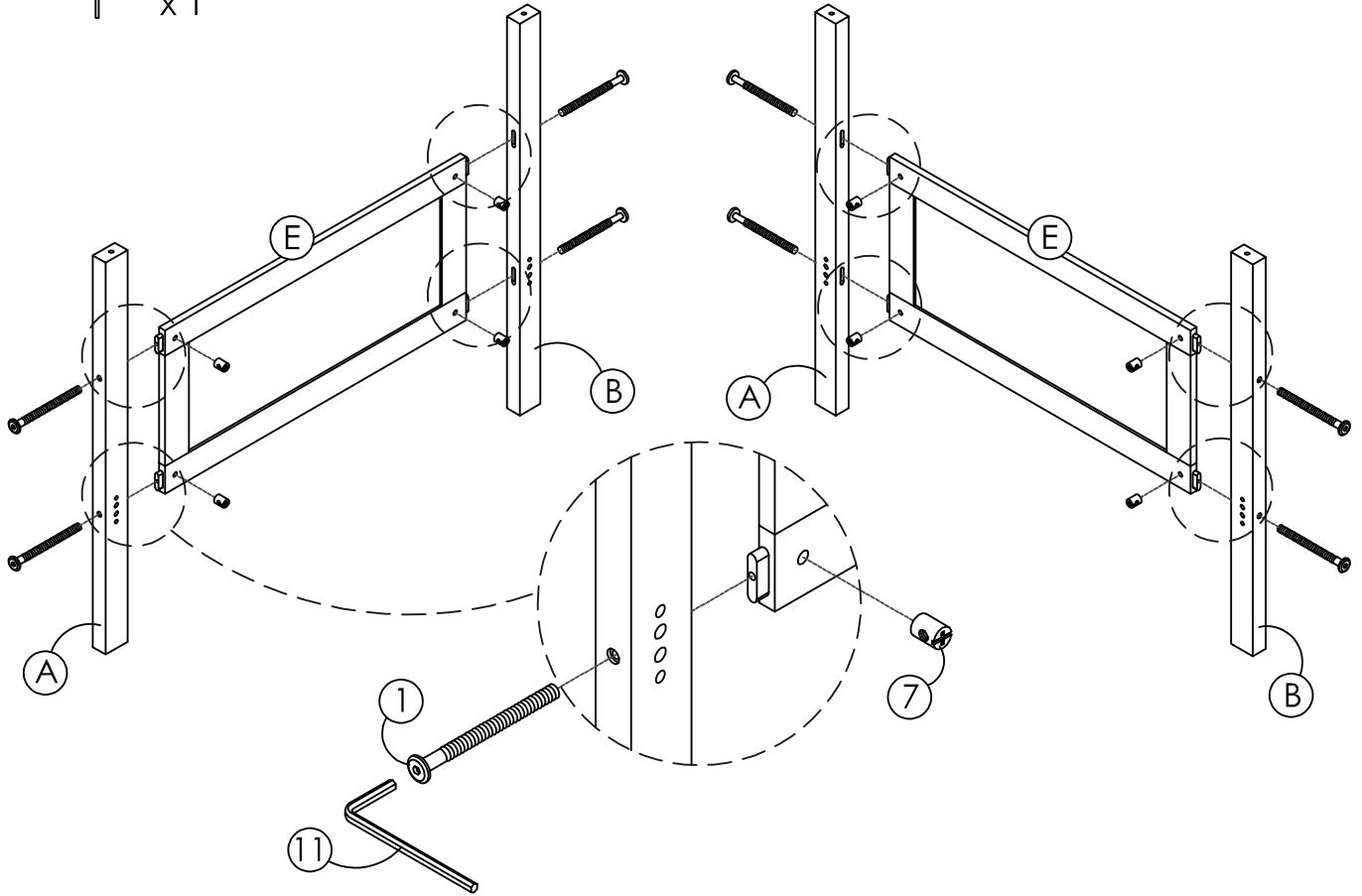
⑥  x 40



STEP 2



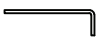
LOWER BED

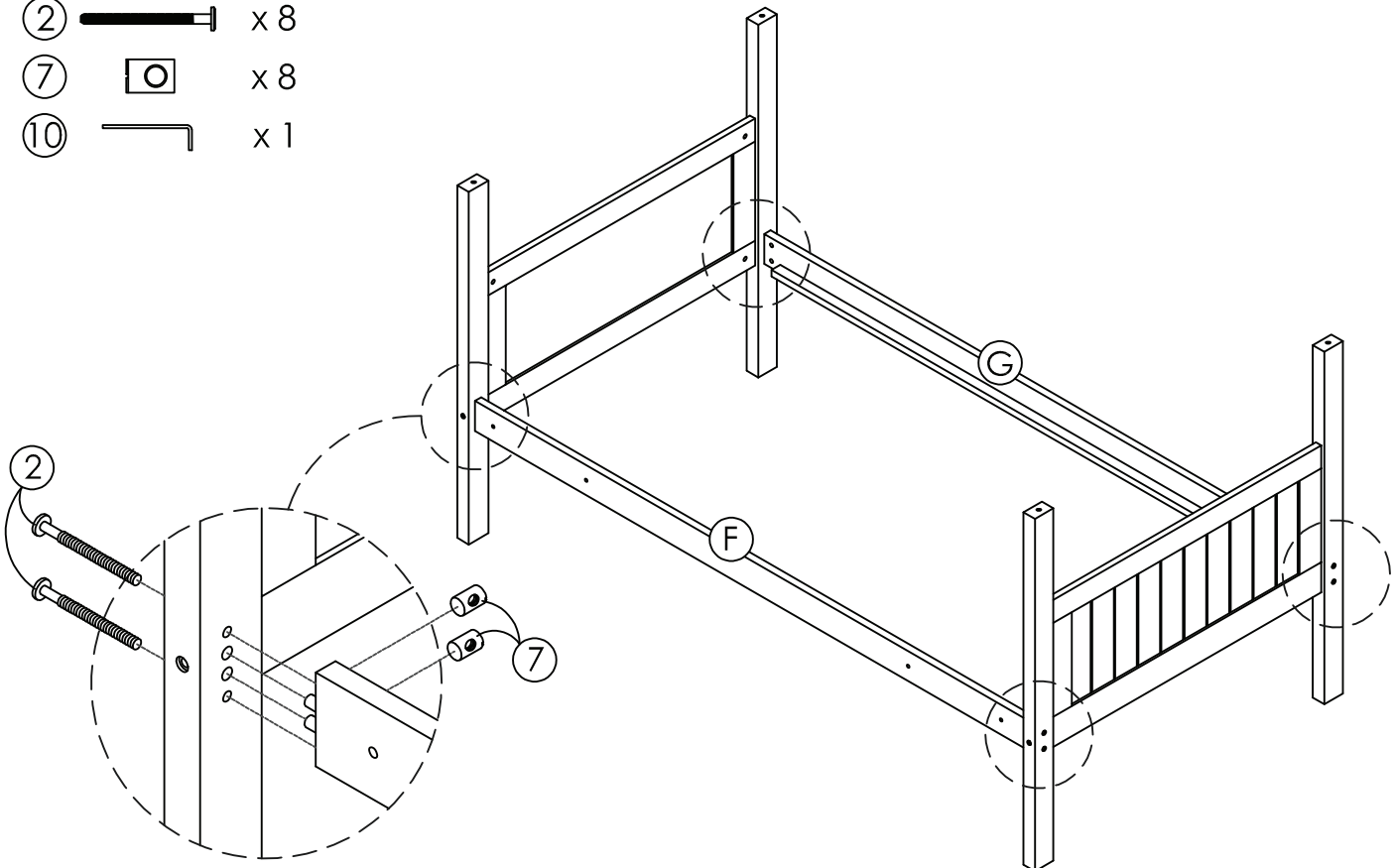
- ①  x 8
- ⑦  x 8
- ⑩  x 1



STEP 3

LOWER BED

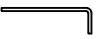
- ②  x 8
- ⑦  x 8
- ⑩  x 1

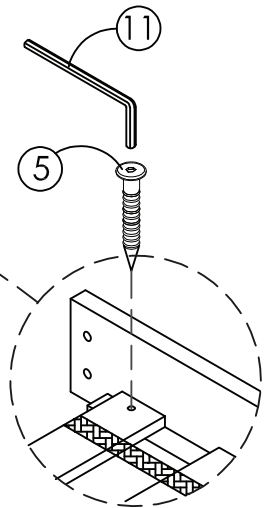
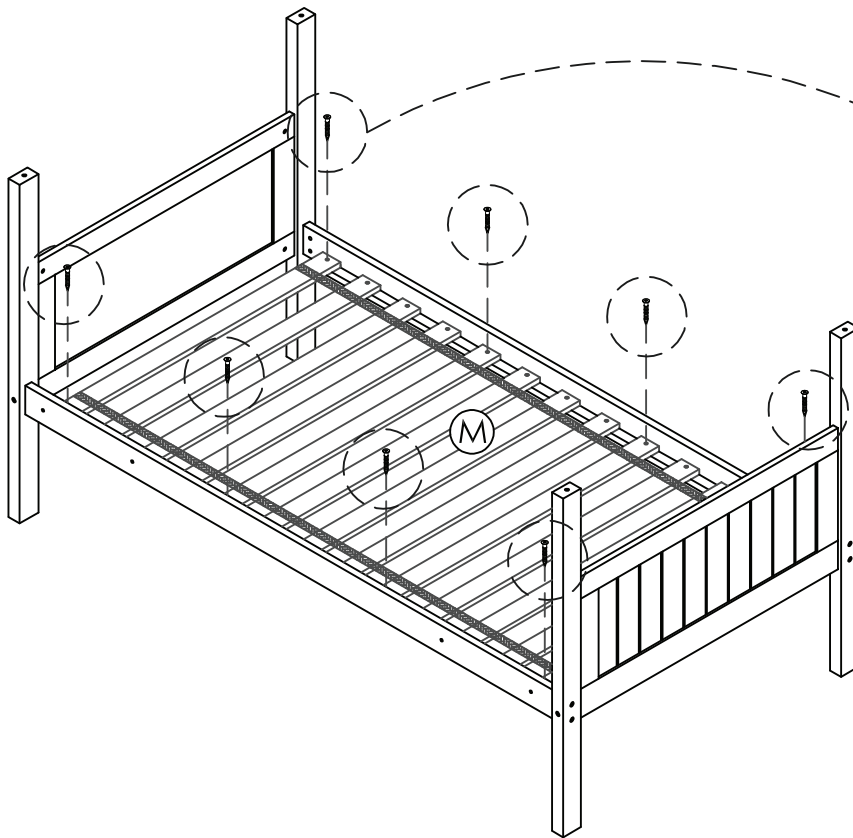


STEP 4

LOWER BED

⑤  x 8

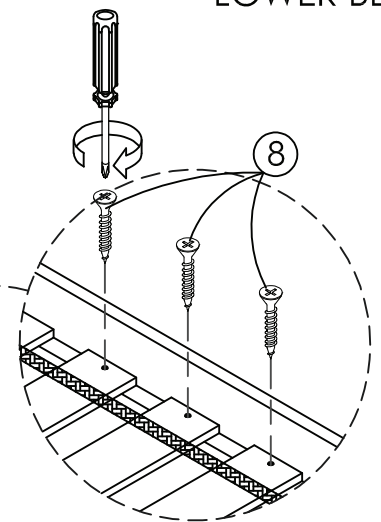
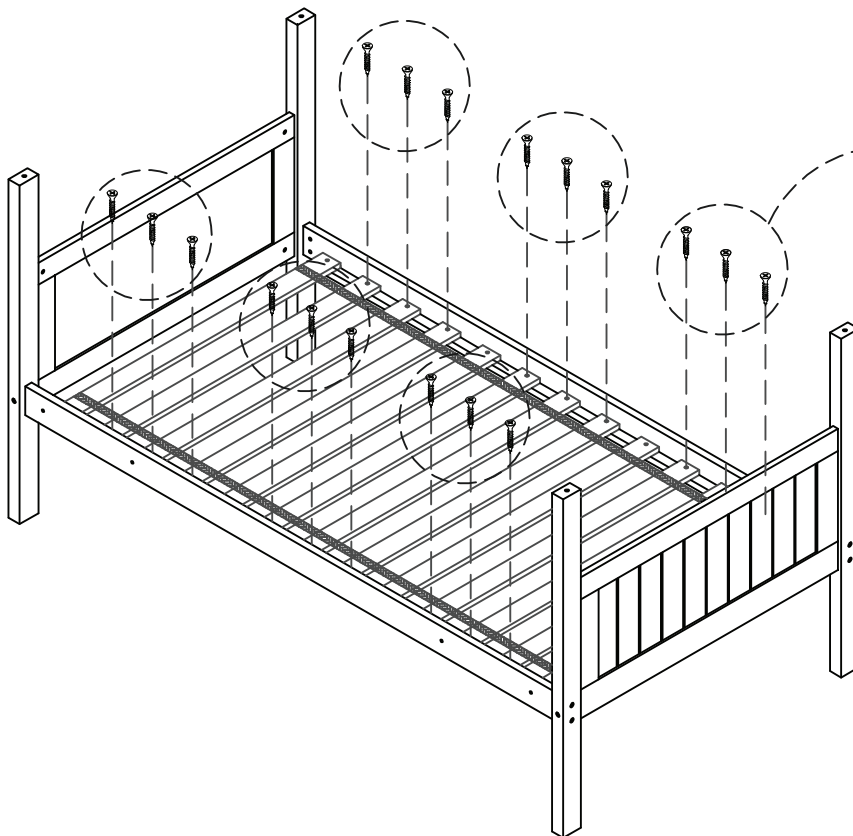
⑩  x 1



STEP 5




LOWER BED

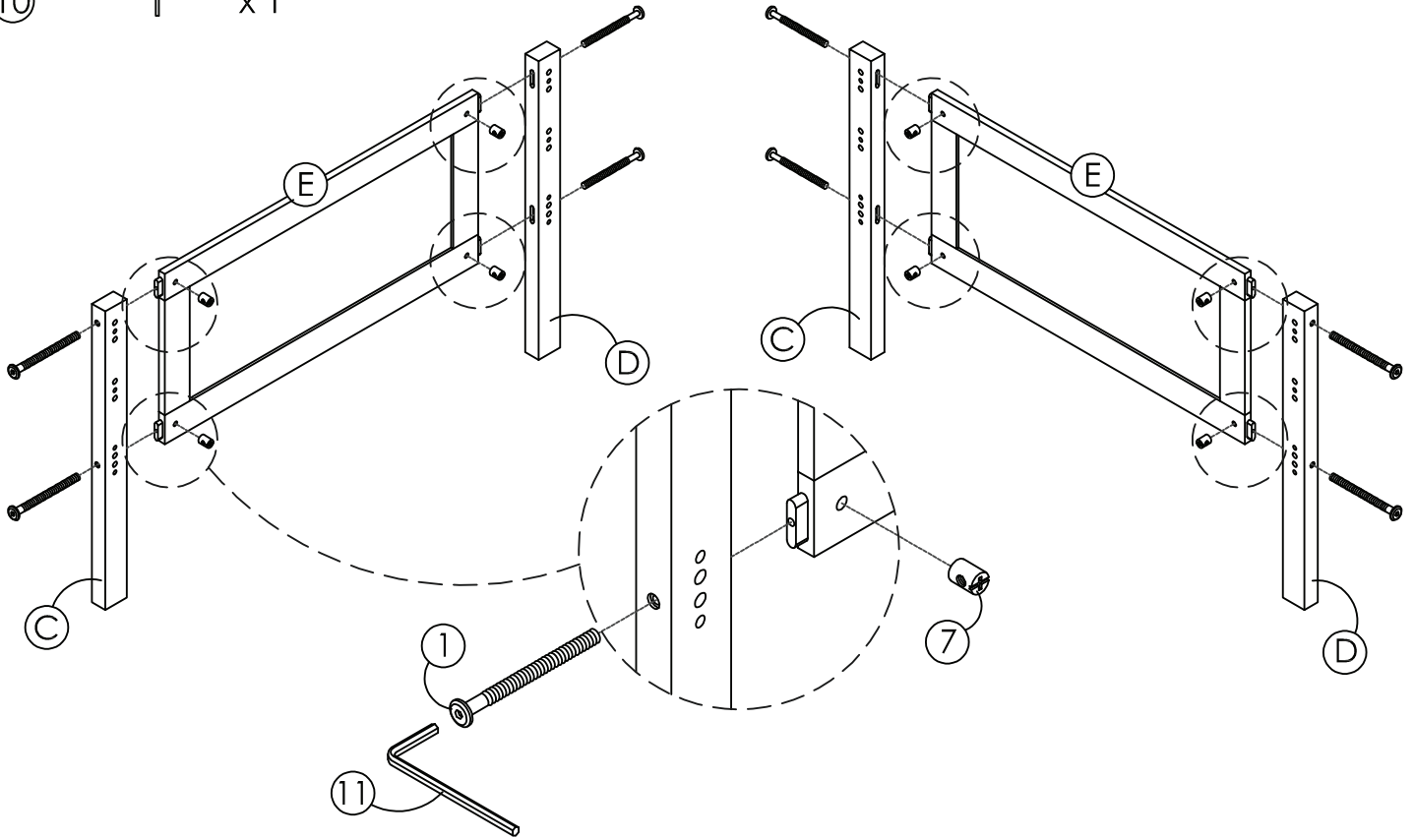
⑧  x 18



STEP 6



UPPER BED

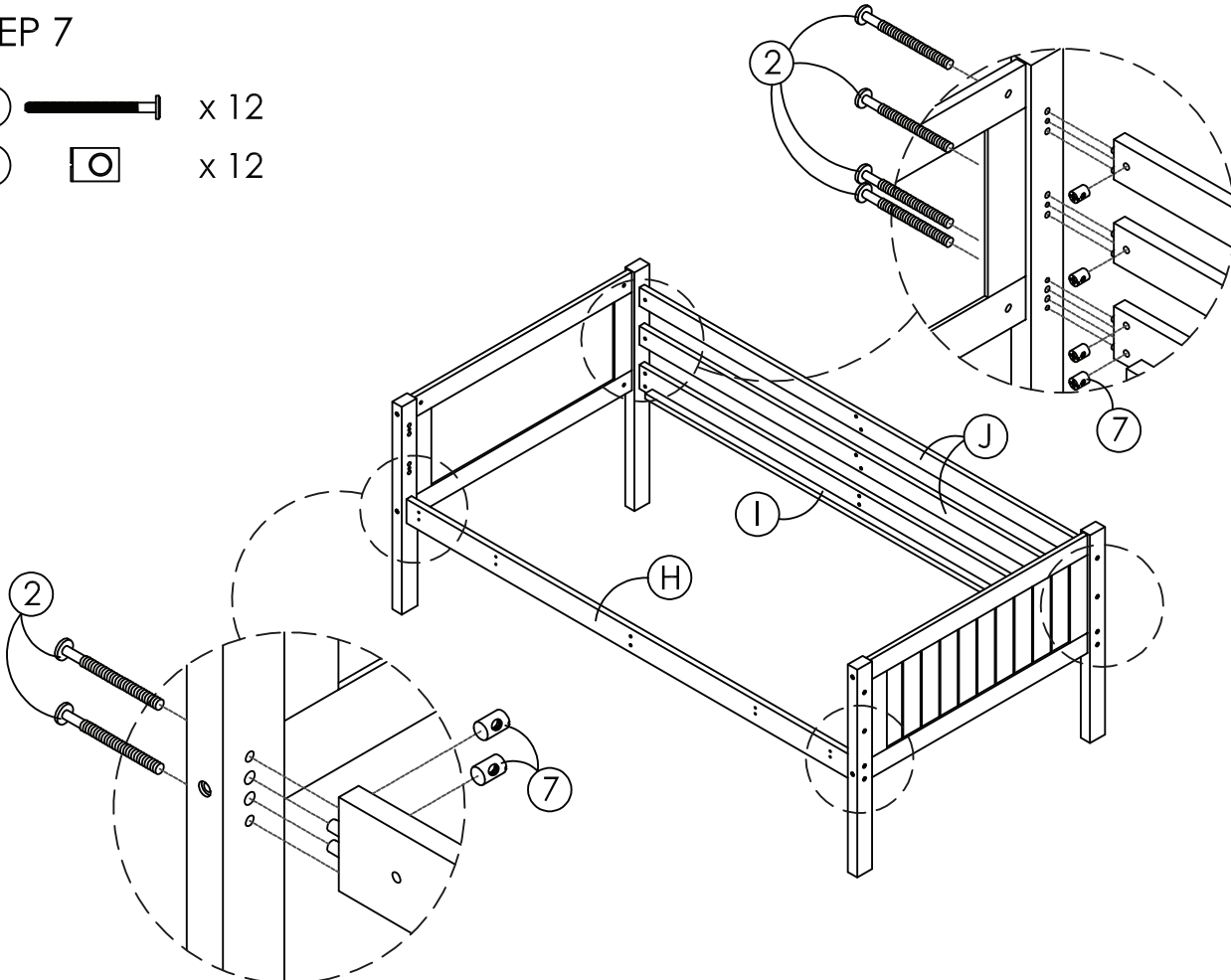
- ①  x 8
- ⑦  x 8
- ⑩  x 1



STEP 7





UPPER BED

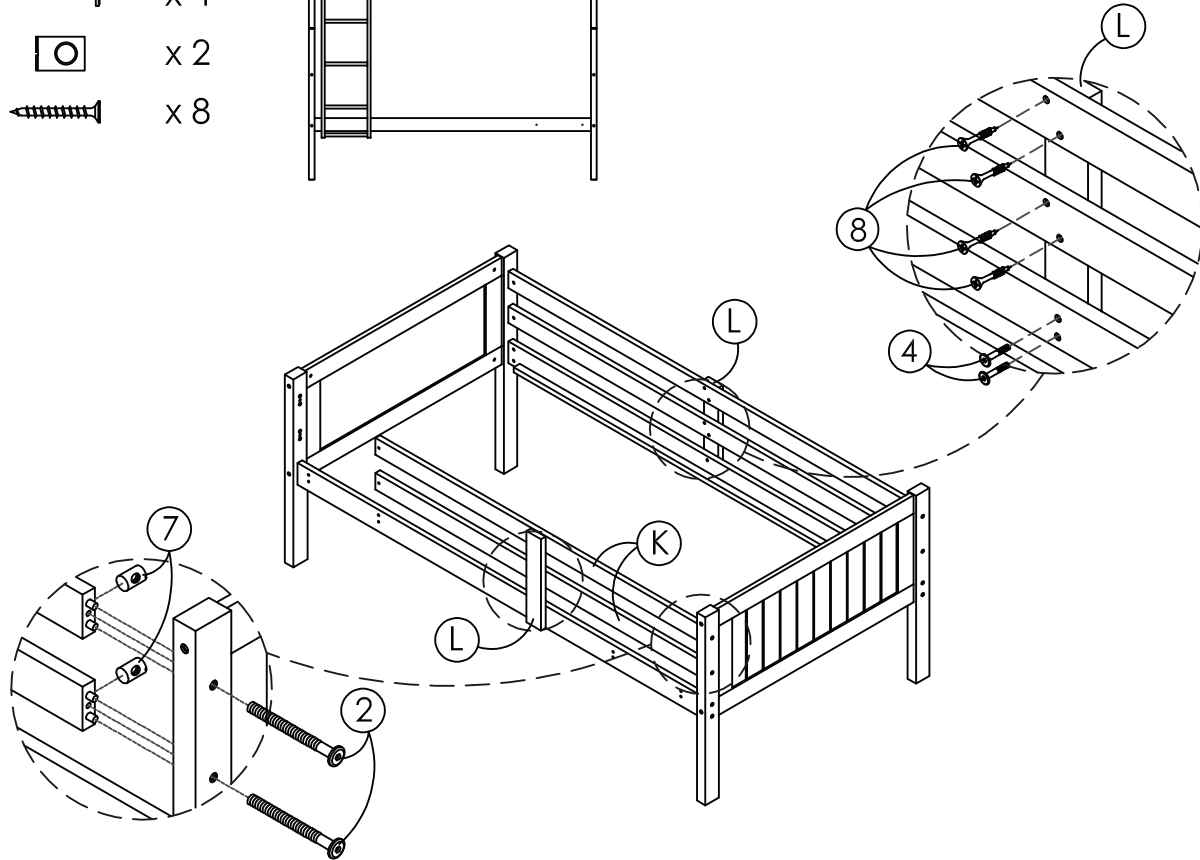
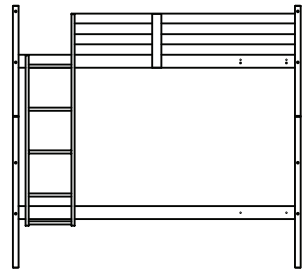
- ②  x 12
- ⑦  x 12



### STEP 8A (Ladder at left position)




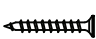
UPPER BED

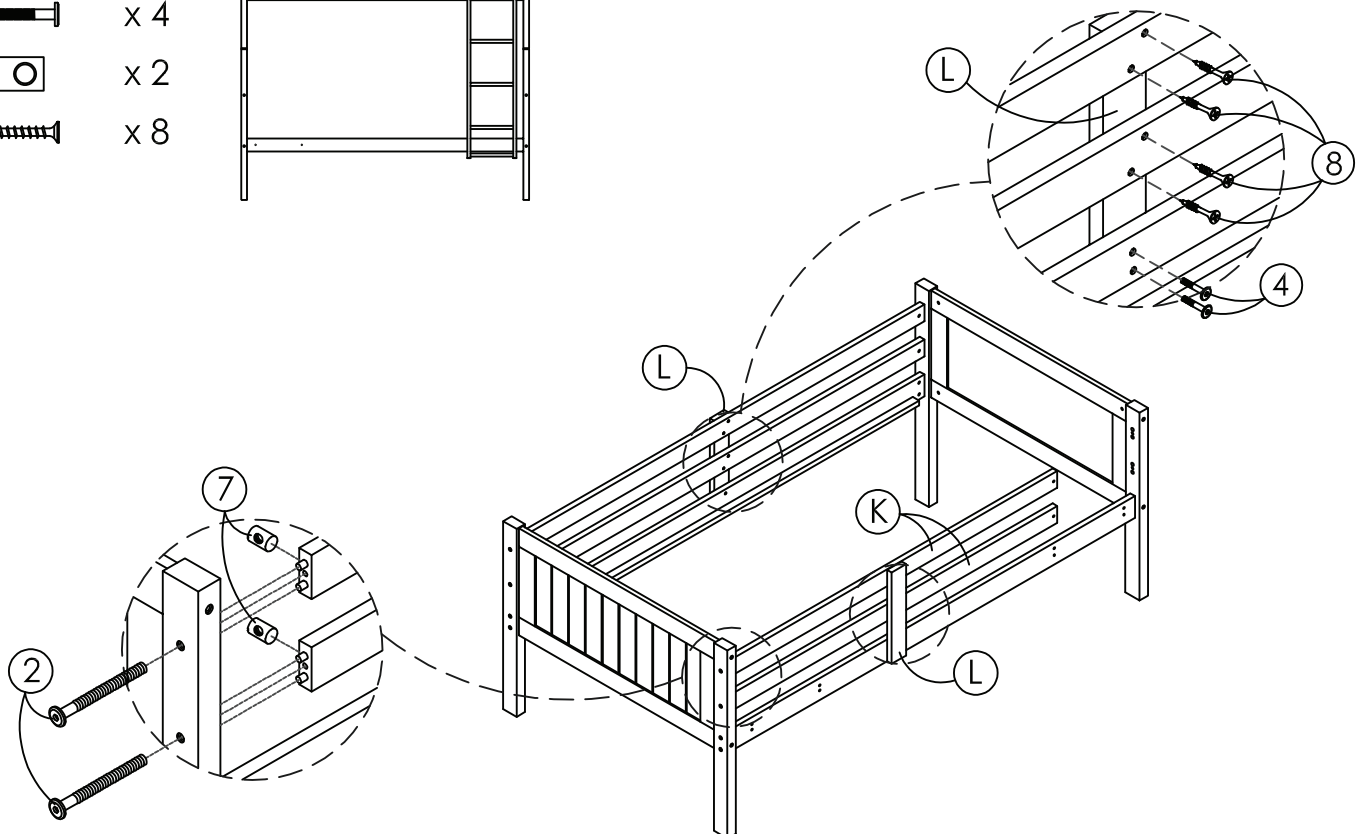
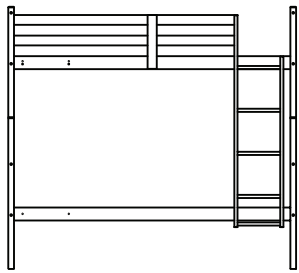
- ②  x 2
- ④  x 4
- ⑦  x 2
- ⑧  x 8



### STEP 8B (Ladder at right position)

UPPER BED

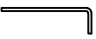
- ②  x 2
- ④  x 4
- ⑦  x 2
- ⑧  x 8

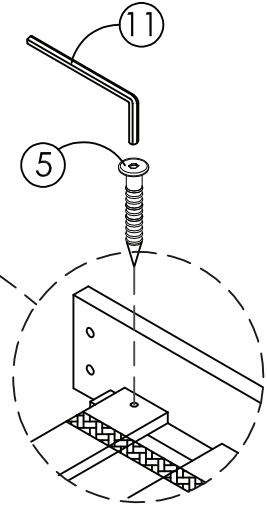
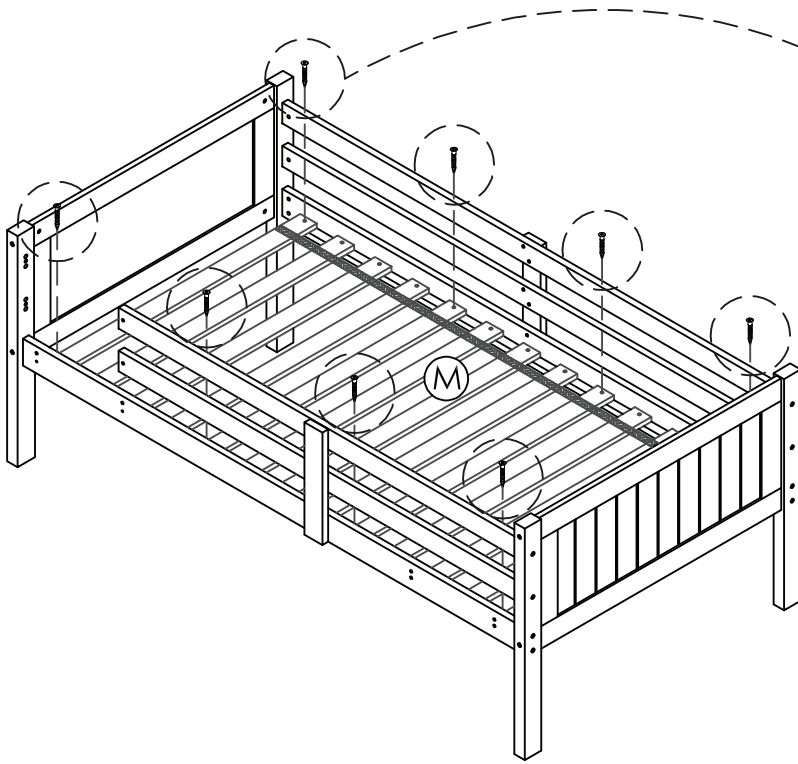


STEP 9

UPPER BED

⑤  x 8

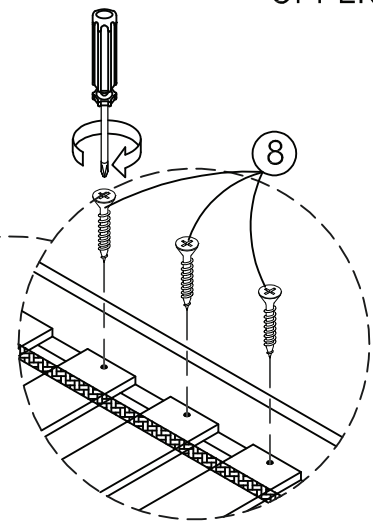
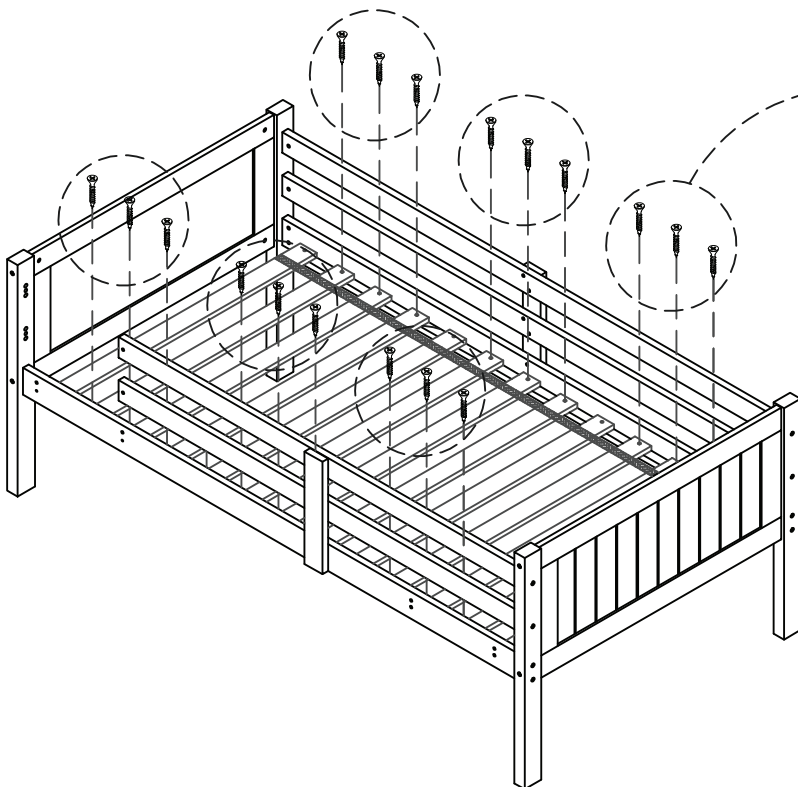
⑩  x 1



STEP 10

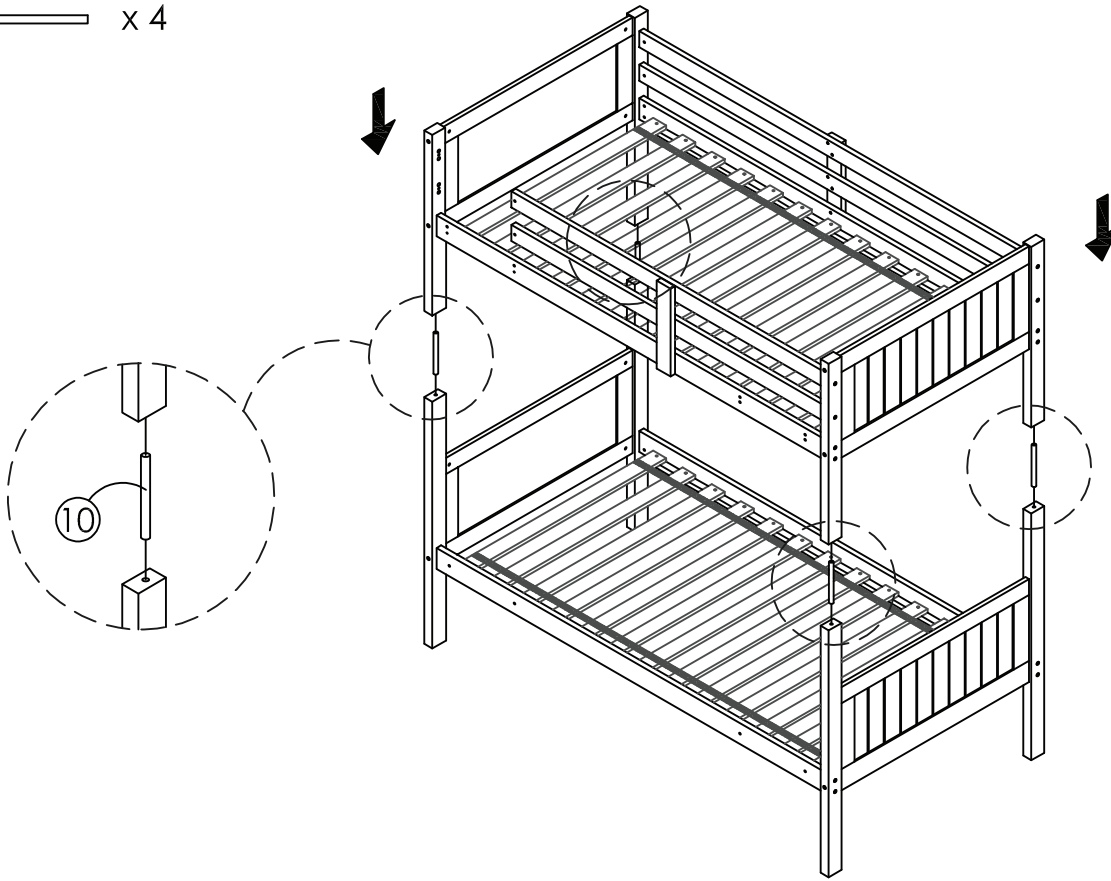
UPPER BED

⑧  x 18



# STEP 11

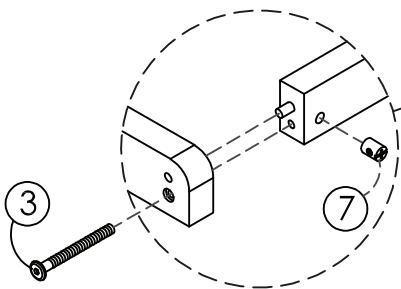
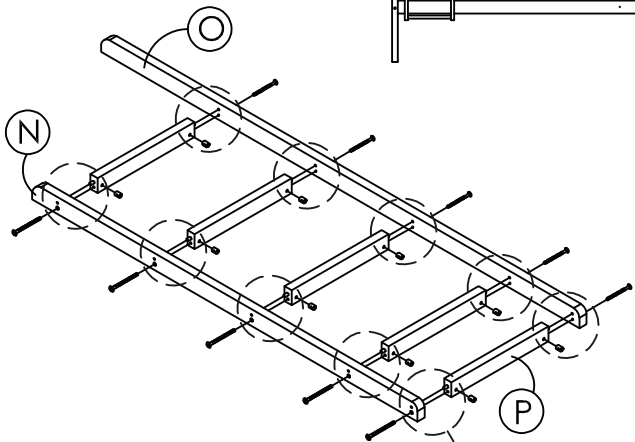
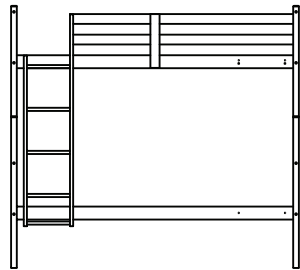
⑨ ——— x 4



## STEP 12A (Ladder at left position)

③ ——— x 10

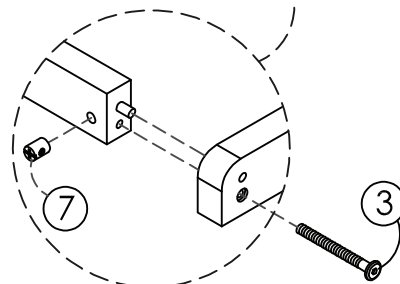
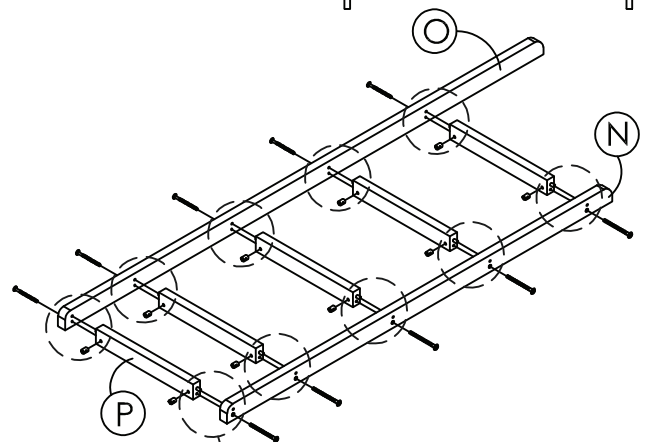
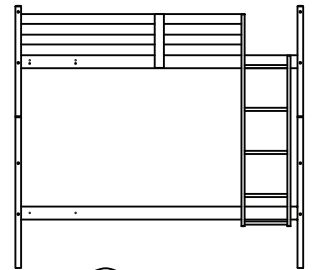
⑦ □ x 10




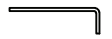
## STEP 12B (Ladder at right position)

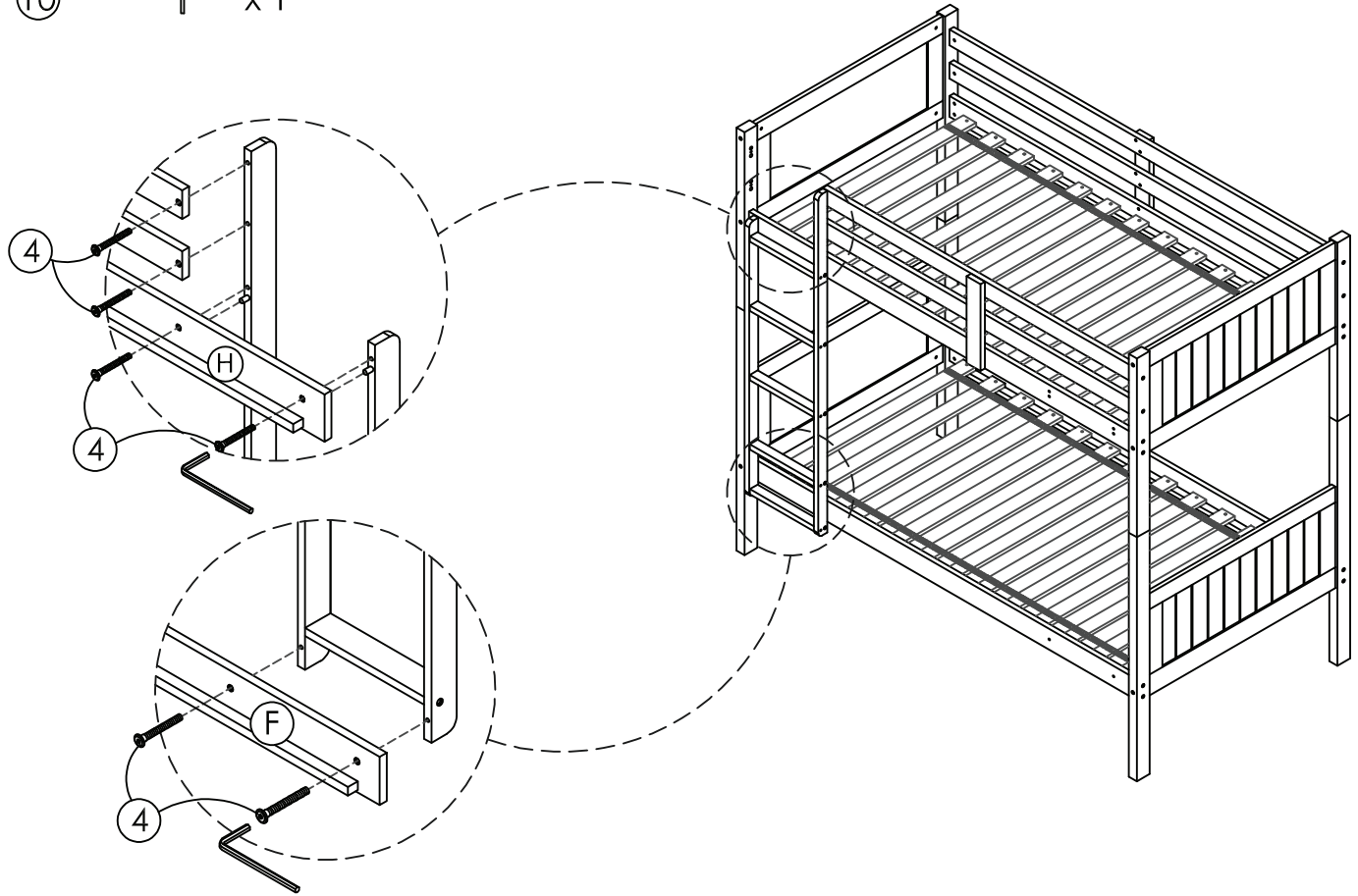
③ ——— x 10

⑦ □ x 10



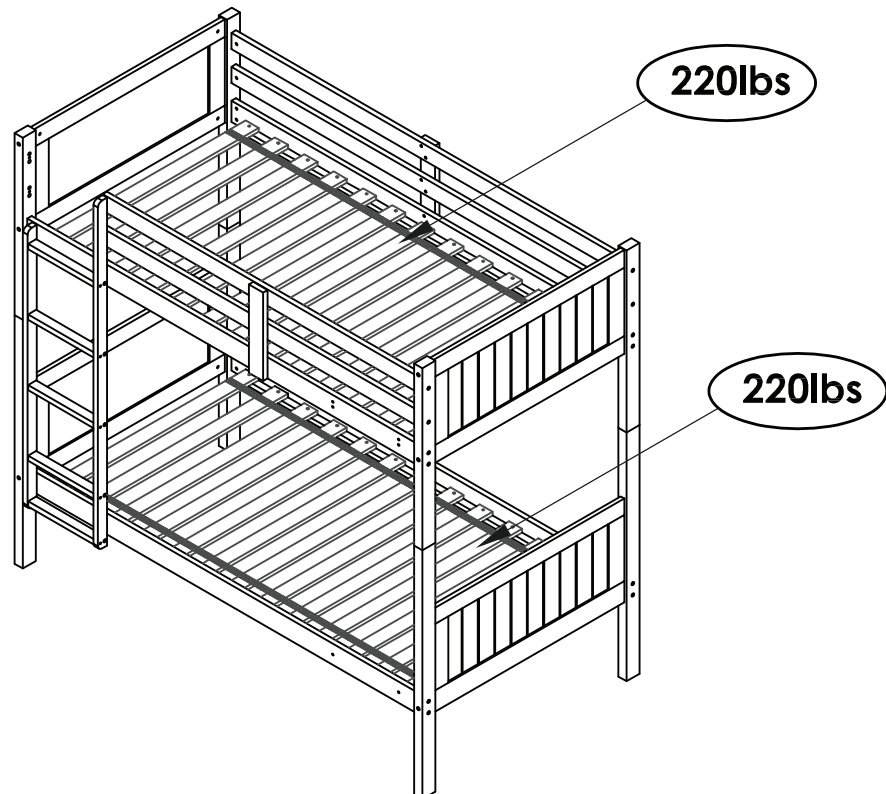
### STEP 13

- ④  x 6
- ⑩  x 1



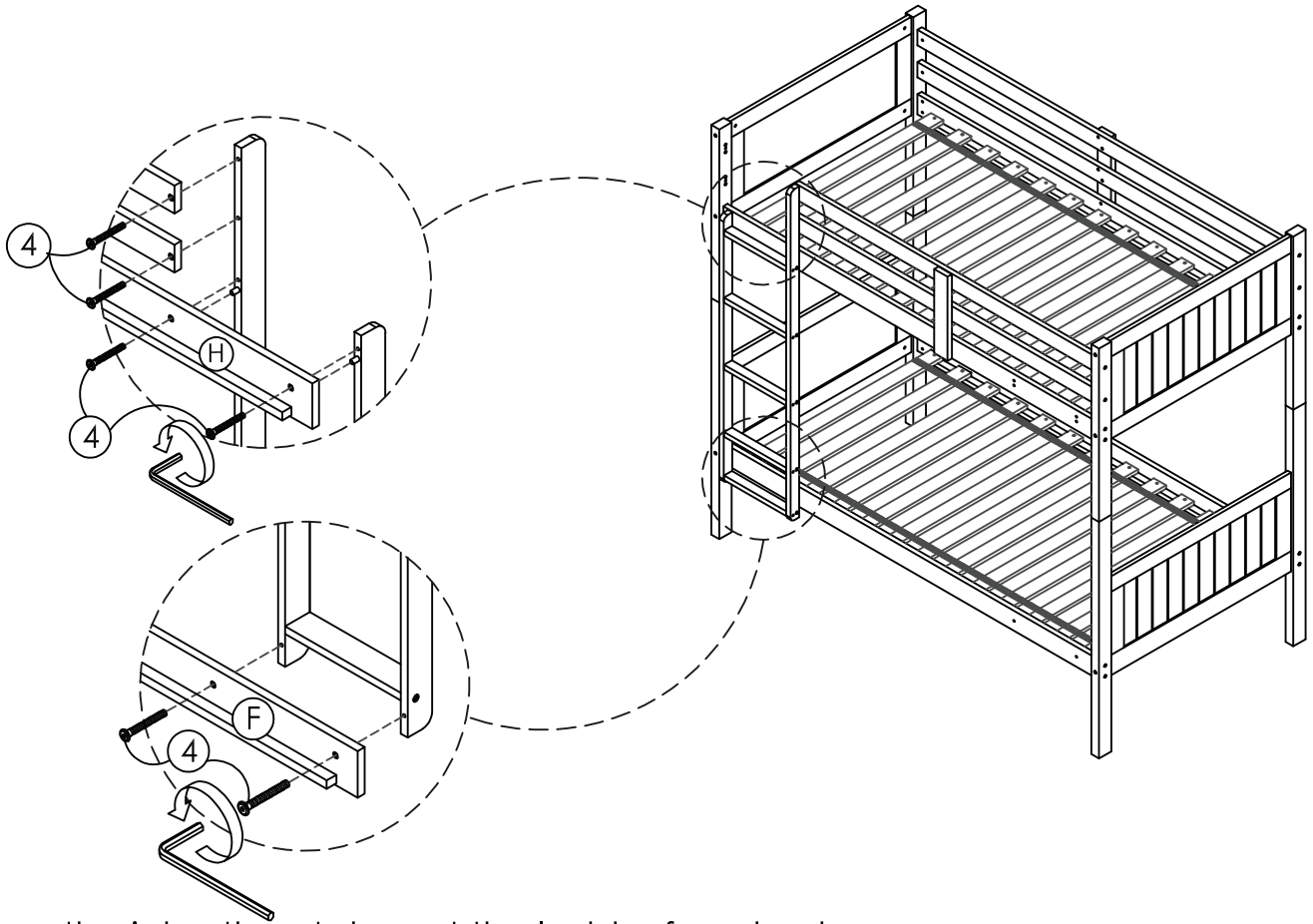
### STEP 14

Complete assembly for bunk bed.



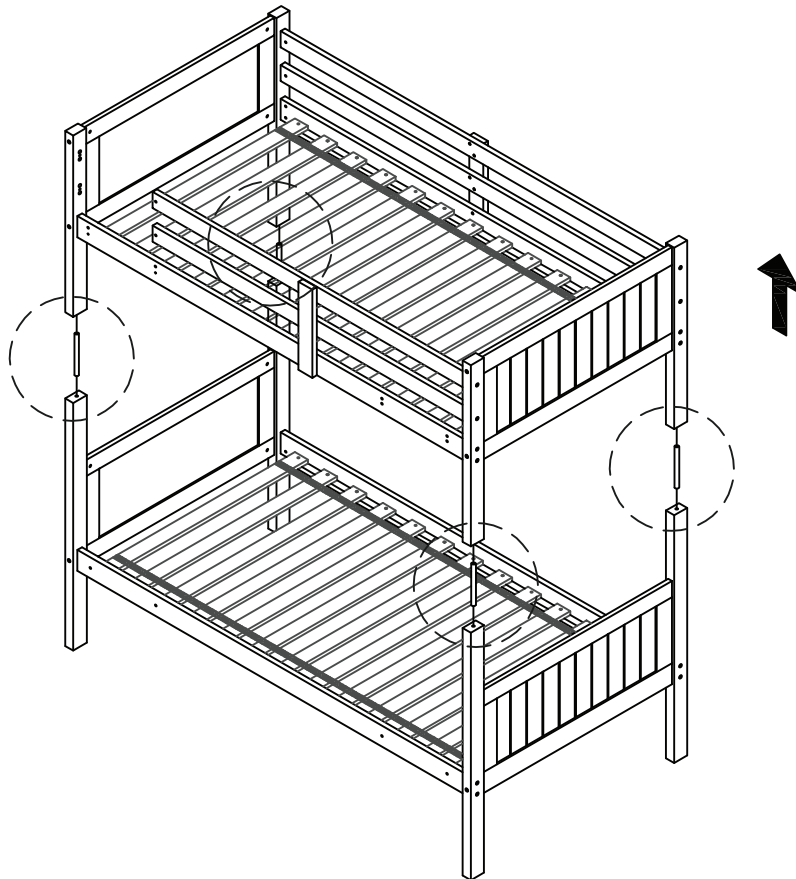
STEP 15

**Instruction to change bunk bed into single beds.**



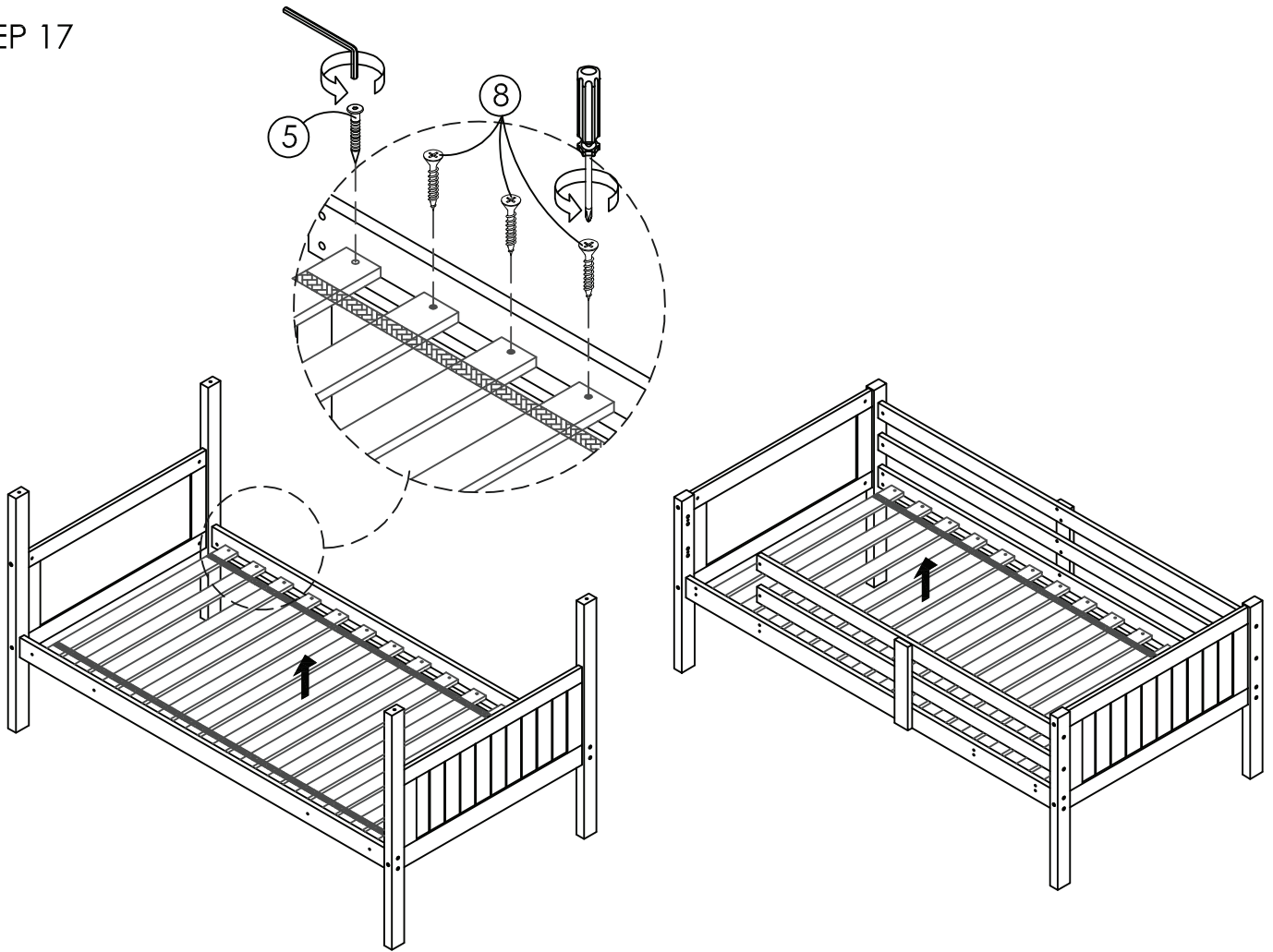
Remove the jcbc then take out the ladder from bed.

STEP 16



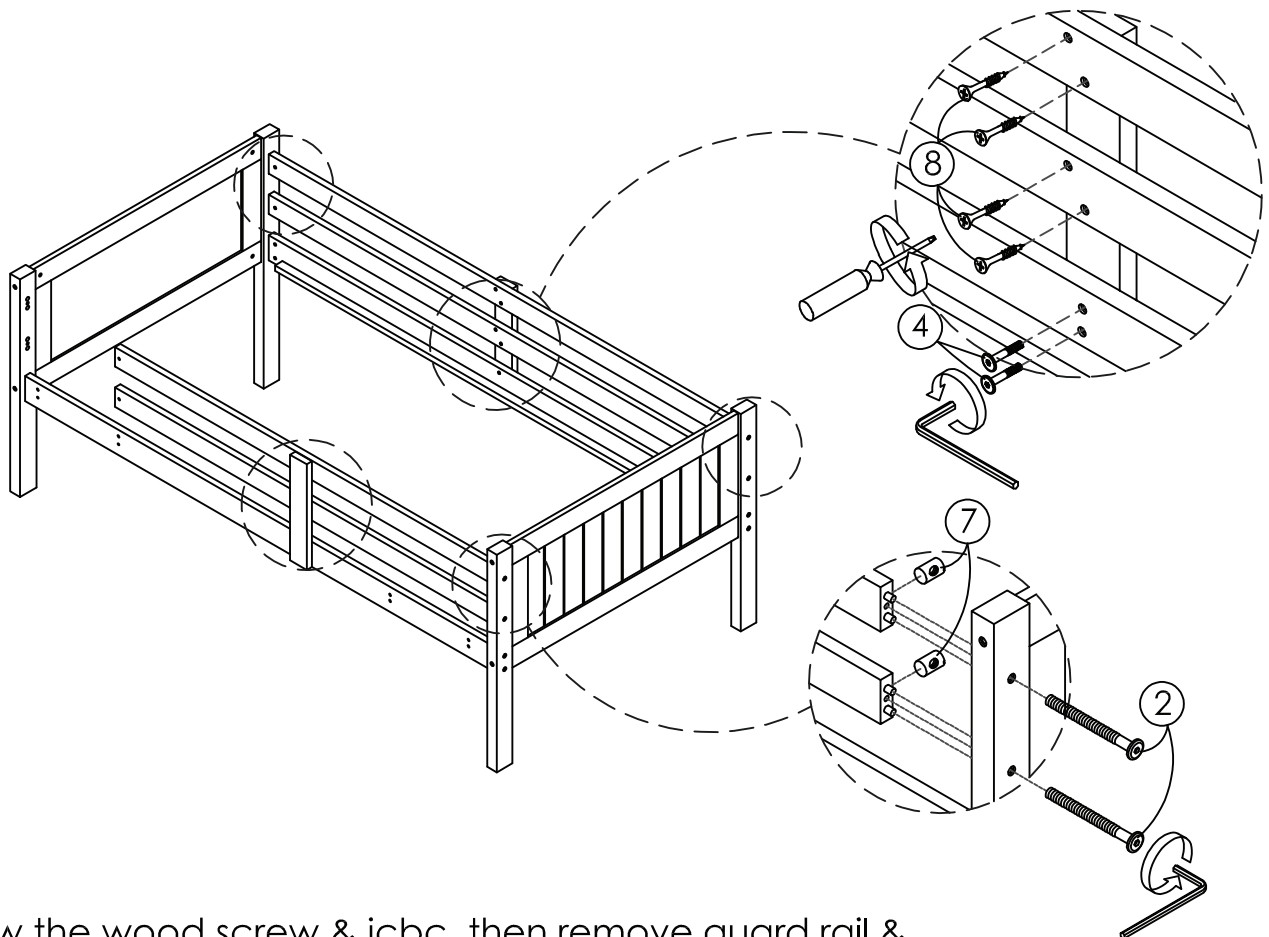
Lift the upper bed and remove metal pins.

STEP 17



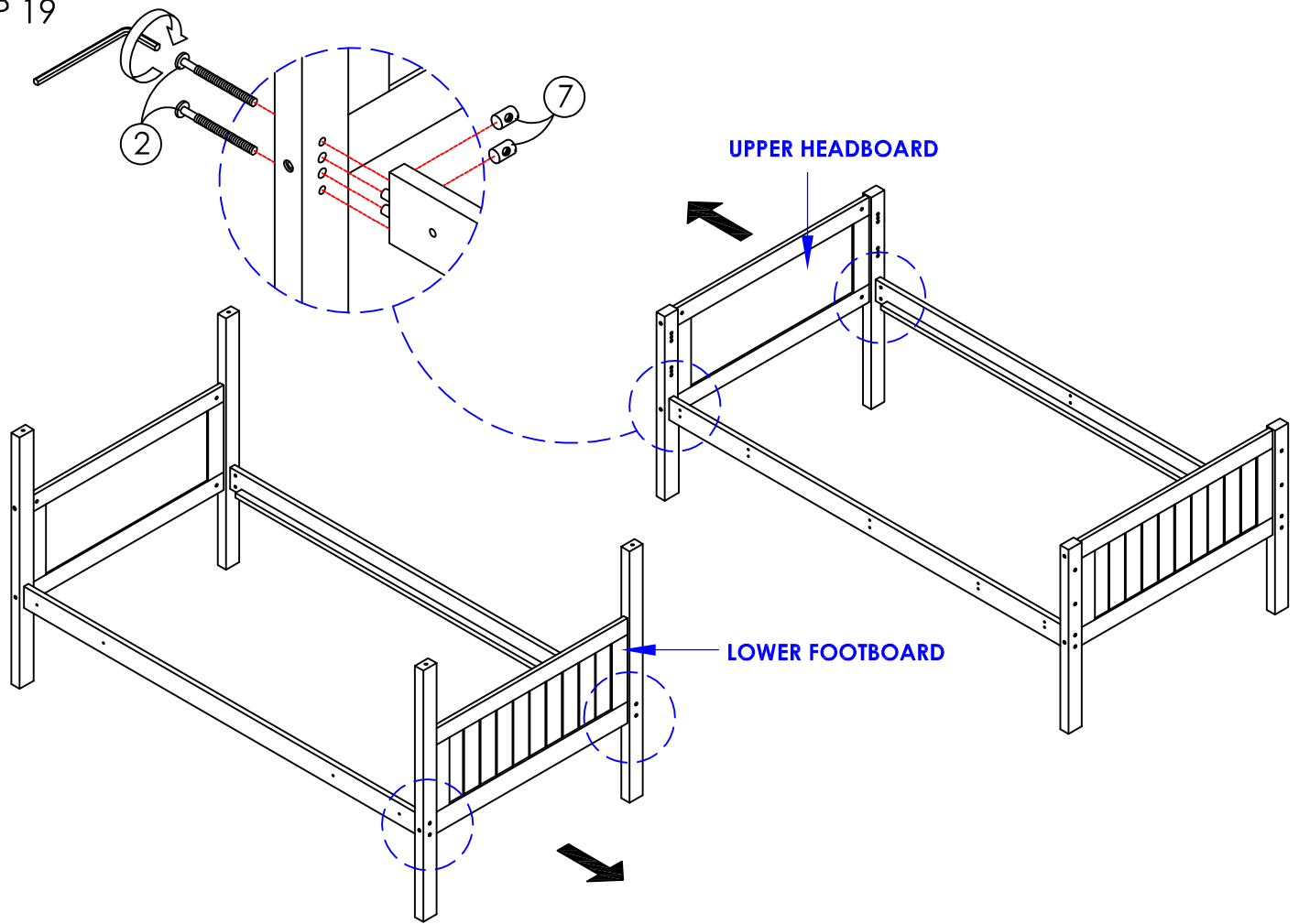
Unscrew the jcbc and wood screw, then lift the slats.

STEP 18



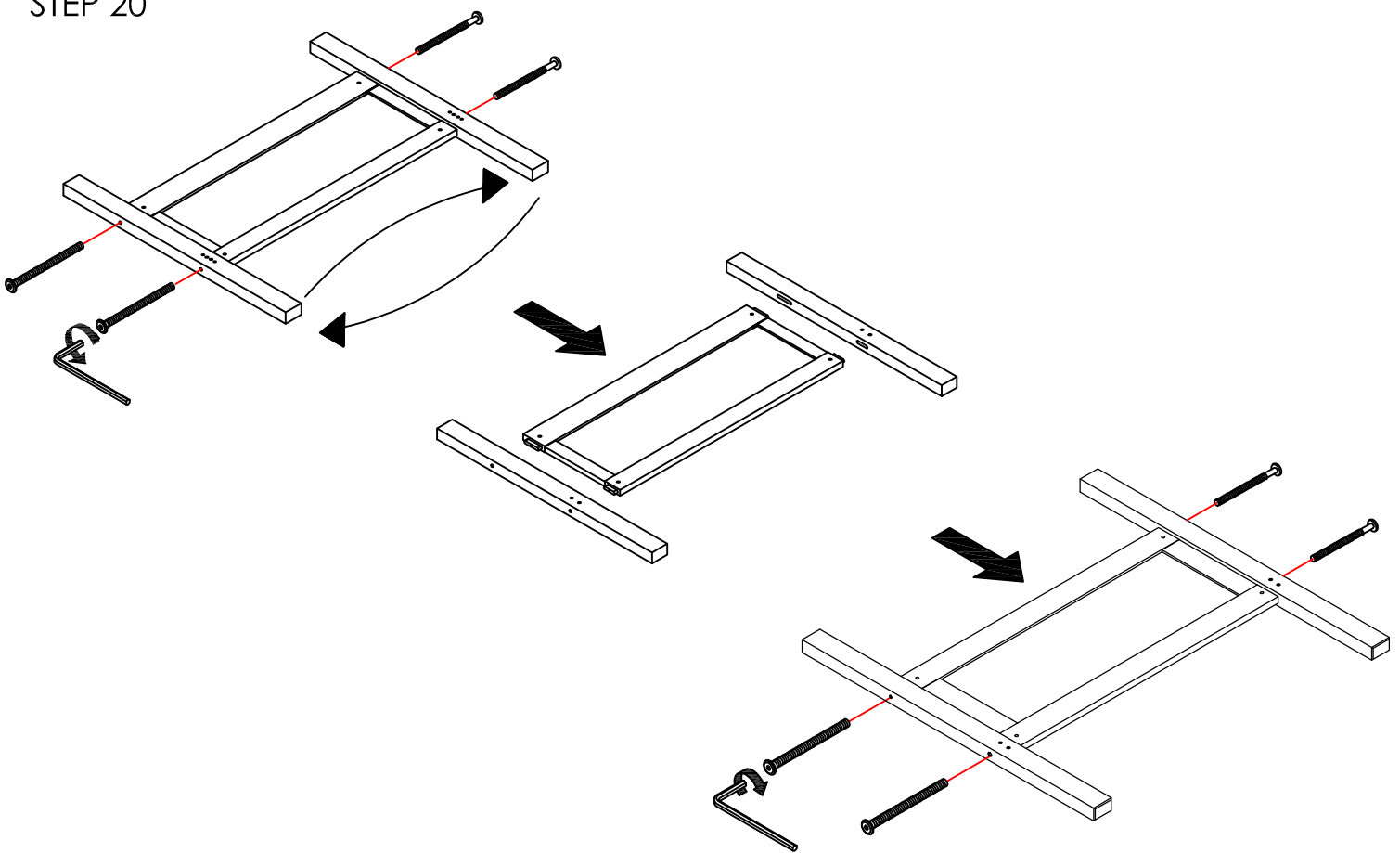
Unscrew the wood screw & jcbc, then remove guard rail & guard rail support.

STEP 19



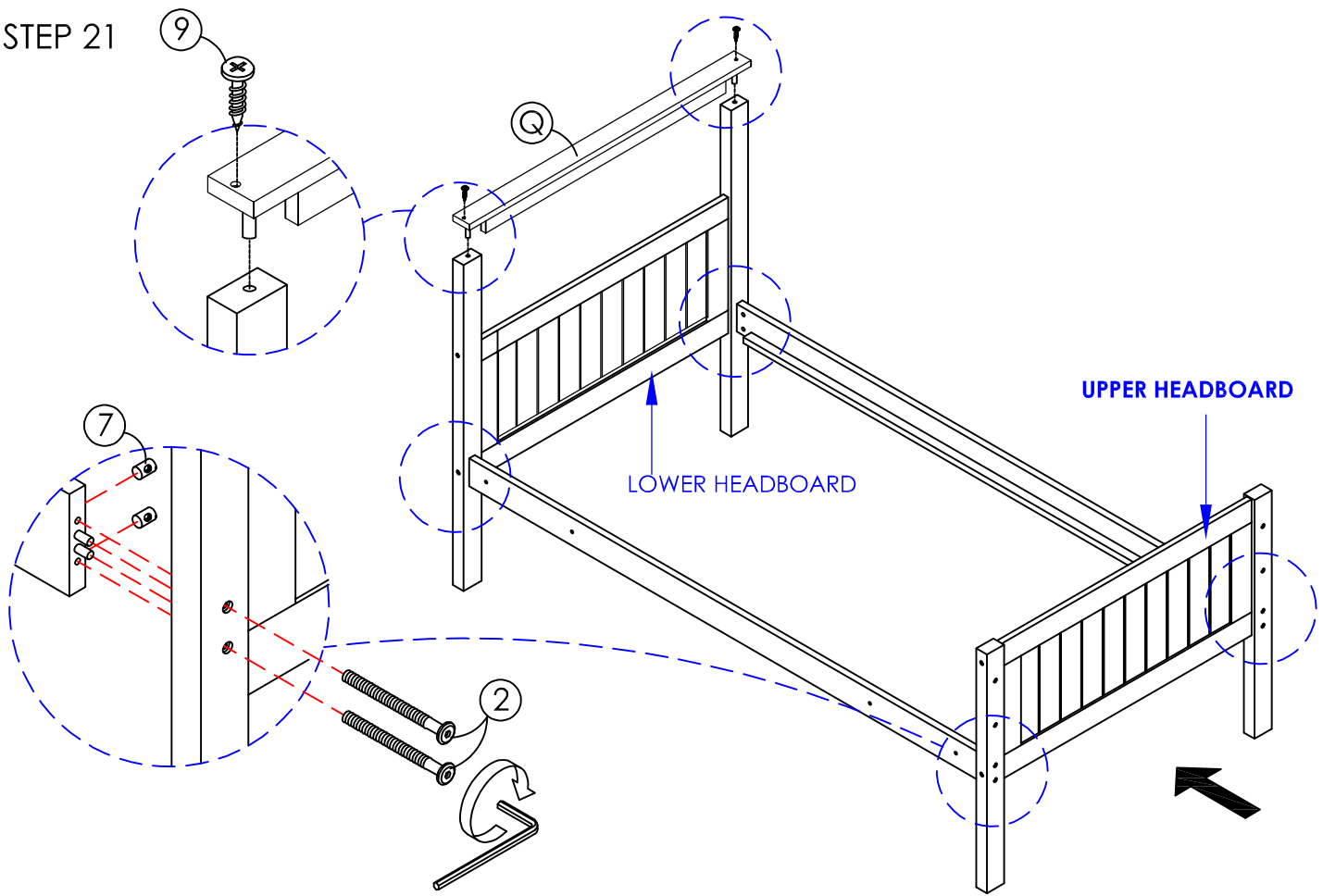
Loosen the jcbc at the upper headboard & lower footboard.

STEP 20



Loosen the JCBC at the upper headboard and lower footboard. Rotate the leg as shown in picture. Then tighten all the JCBC

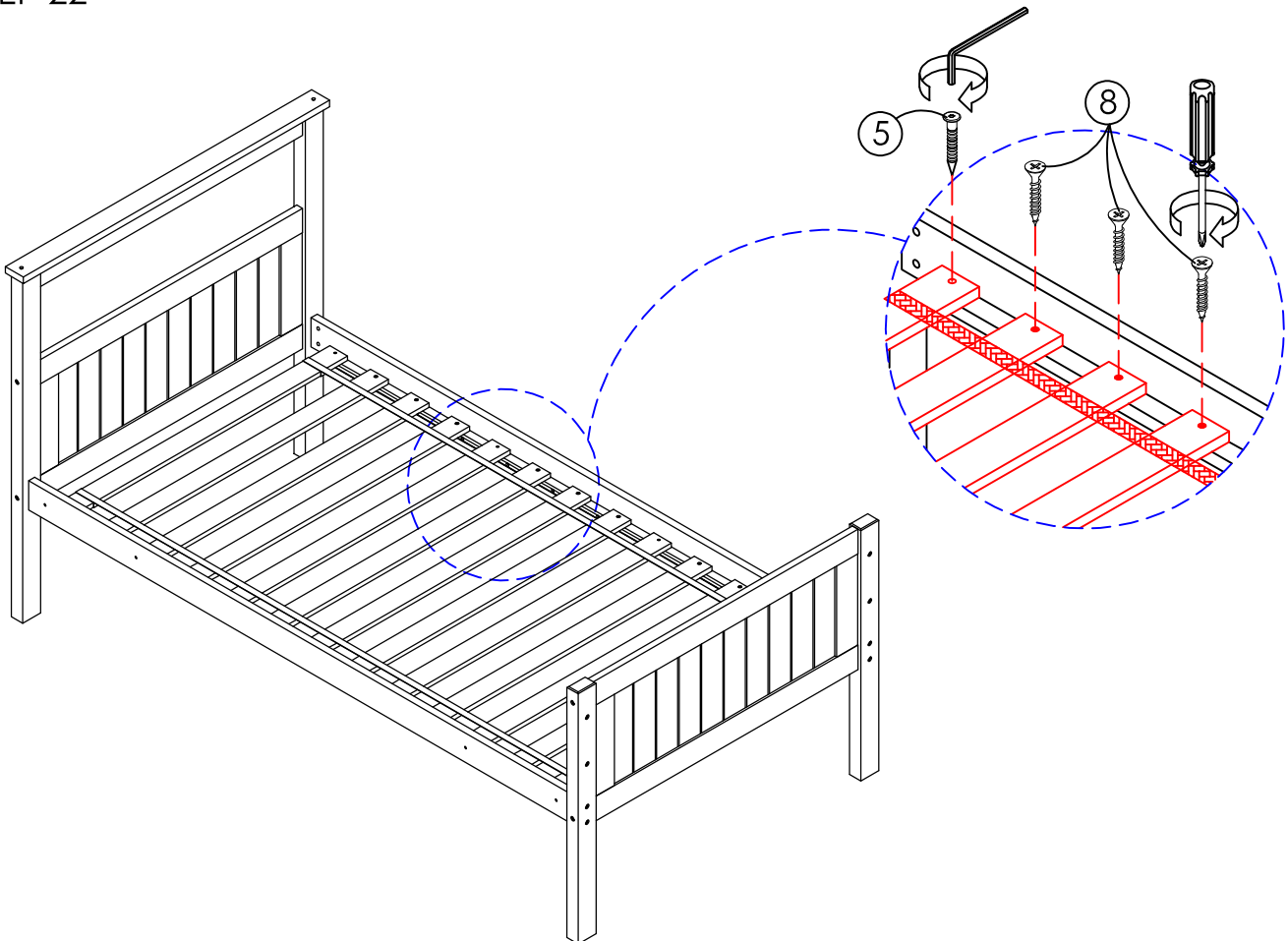
STEP 21



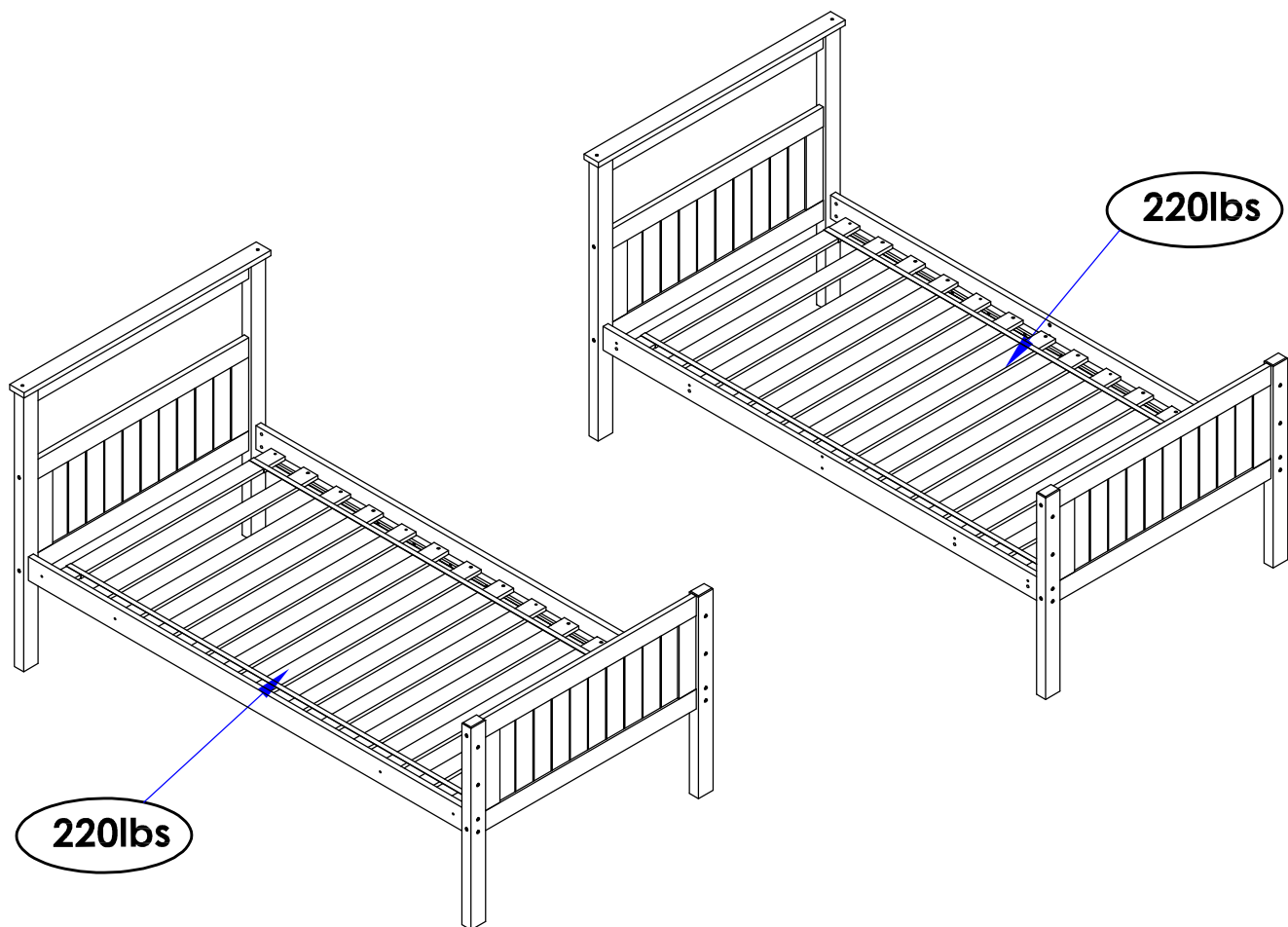
Attach lower headboard to side rail and upper headboard. Tighten the JCBC.

Screw the top rail on the lower headboard.

STEP 22



Tighten slat with jcbc and wood screw as shown in picture.



Repeat the same step 20 - 21 to construct another single bed.

## Cleaning :

Using a clean, washable cloth made of soft, lint-free cotton, such as an old T- shirt. (The cloth should have no buttons, zippers or anything that could scratch furniture surfaces. ) The fabric should be moistened with water or cleaning agent, but just enough to make dust adhere to it; if you can see any trace of liquid on the wood after you wipe, your cloth is too damp. Alternatively, you can use another cloth to remove the excess moisture.

## Maintenance :

### Periodic Structural Checks

The most important thing that you can do is to keep a close eye on the structure and stability of the bed. Give it a thorough once over every two-three months to check for loose, nuts, bolts and other connectors. Repair and replace any part that seems loose or faulty. This will keep the bed stable and secure at all times.