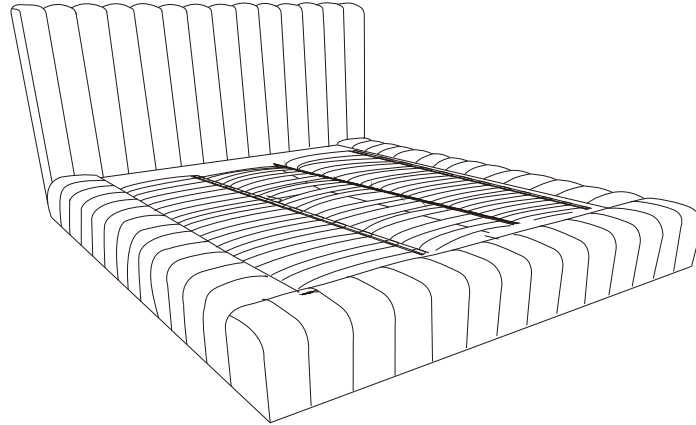


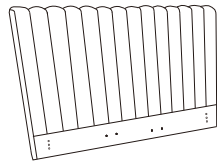
ASSEMBLY INSTRUCTIONS

NO.: 1032 KING



spare parts 1

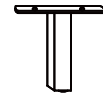
A



Headboard

x1

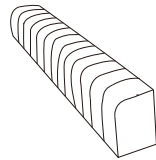
E



Metal Leg Support

x4

B



Footboard

x1

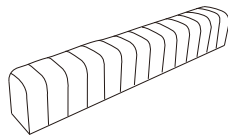
F



Slat

x39

C



Side Rail

x2

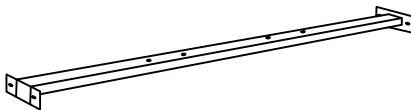
G



Rails plastic slat

x26

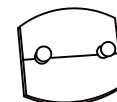
D



Center Support bar

x2





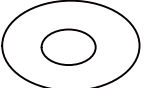

H



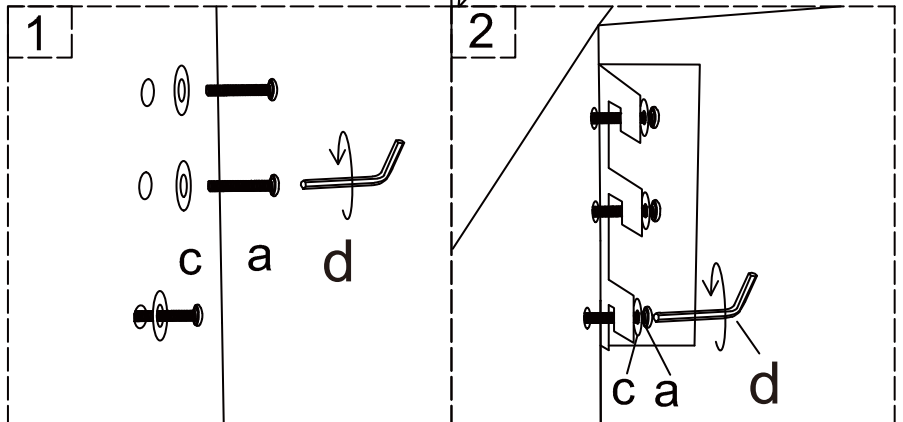
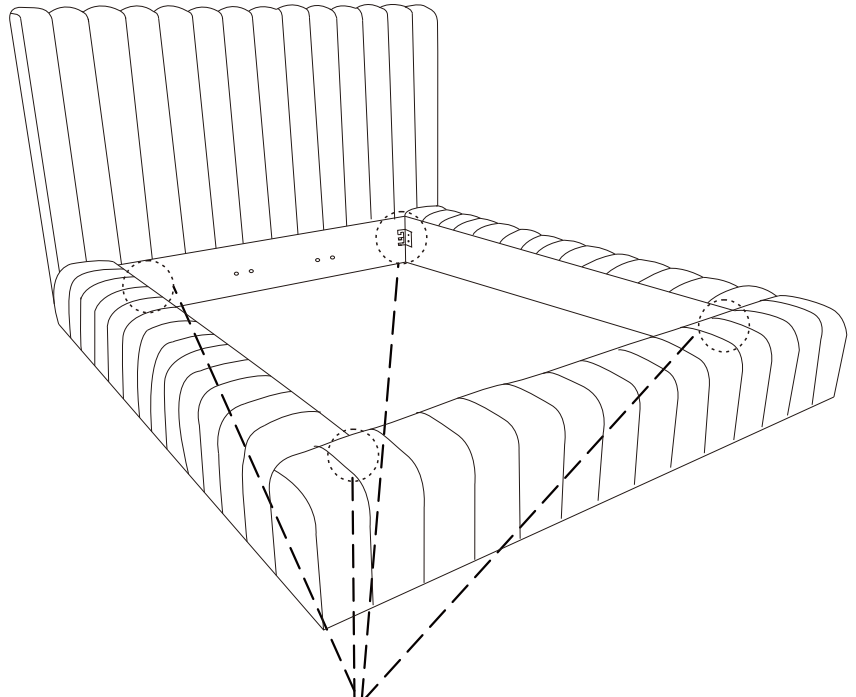
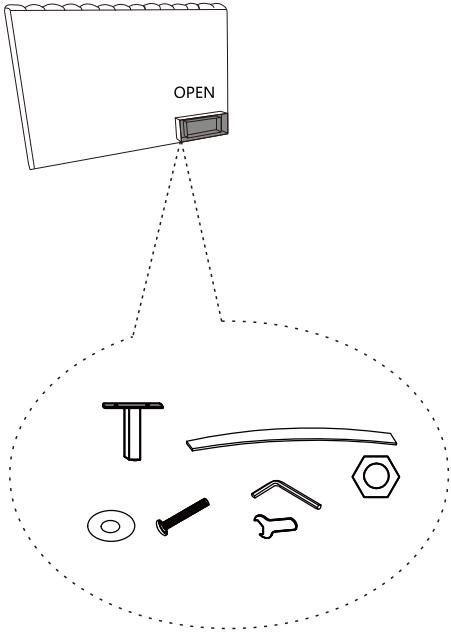
Center plastic slat

x26

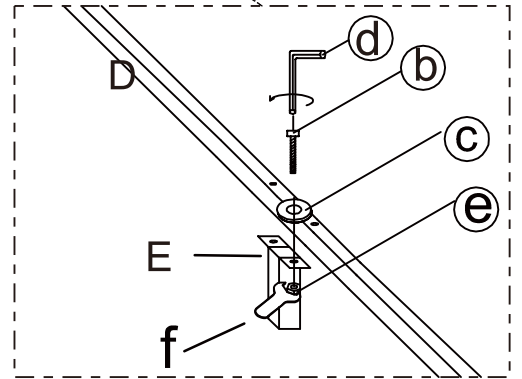
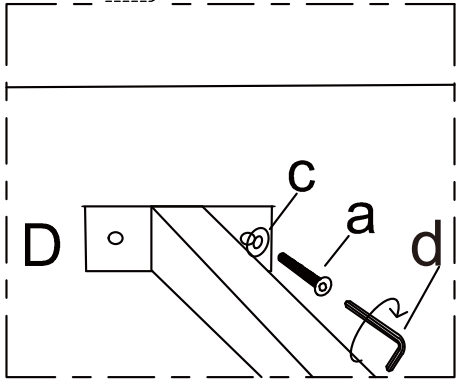
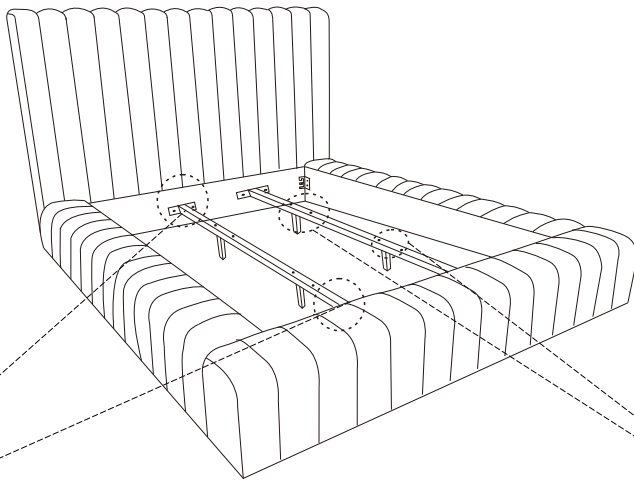
spare parts 2

a	 5/16*30mm x20	d	 M5 x1
b	 5/16*50mm x8	e	 ø5/16" X8
c	 5/16 x28	f	 NUT x1

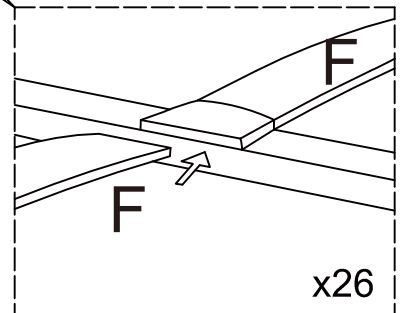
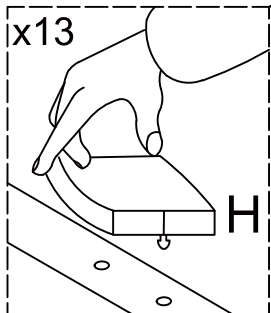
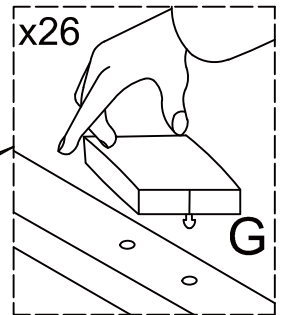
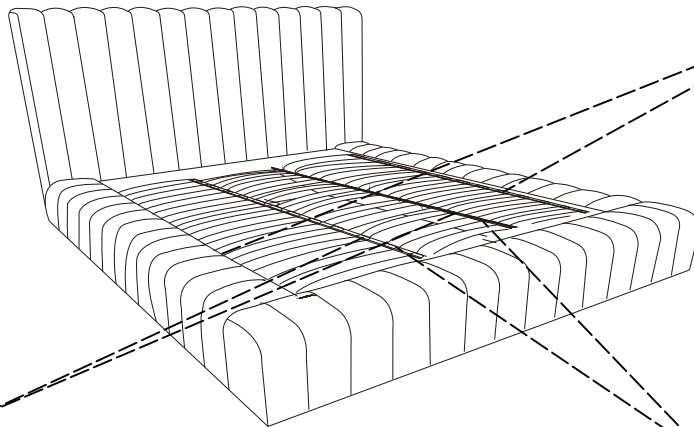
setp:1



setp:2



setp:3



spare parts

I

Bedhead ears



x2

J

Link iron sheet



x6

a



5/16*30mm

x12

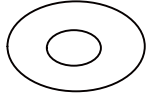
d



M5

x1

c



5/16

x12

setp: 4

Back of the bed head

