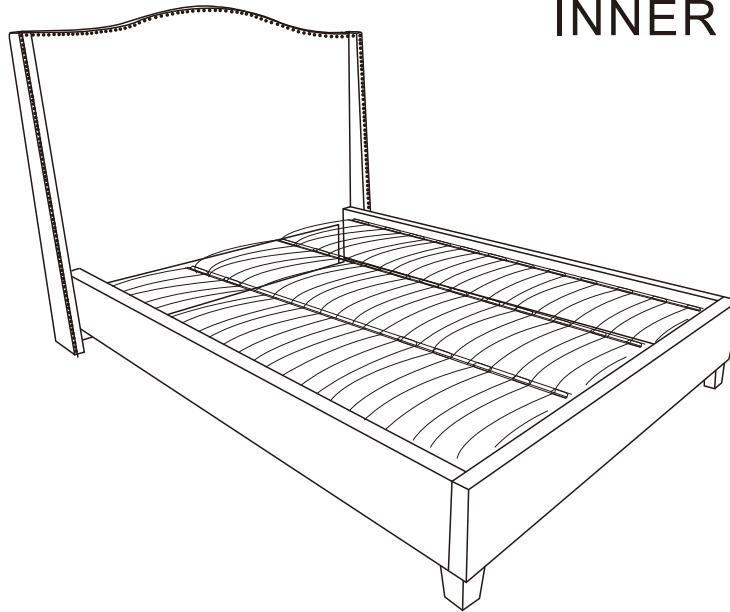


ASSEMBLY INSTRUCTIONS

NO.: CLS-218KING

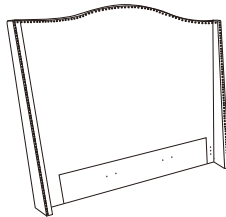
INNER SIZES: 77" X 81"



spare parts 1

A

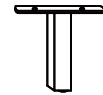
Headboard



x1

E

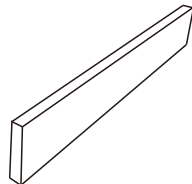
Metal Leg Support



x4

B

Footboard



x1

F

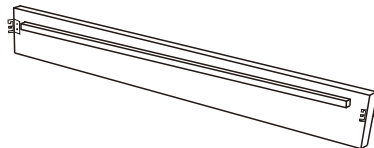
Slat



x39

C

Side Rail



x2

G

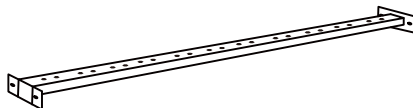
Rails plastic slat



x26

D

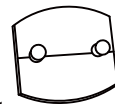
Center Support bar



x2

H

Center plastic slat



x26

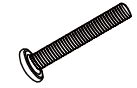

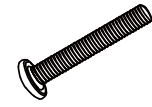
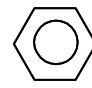
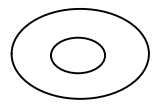

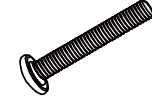
I

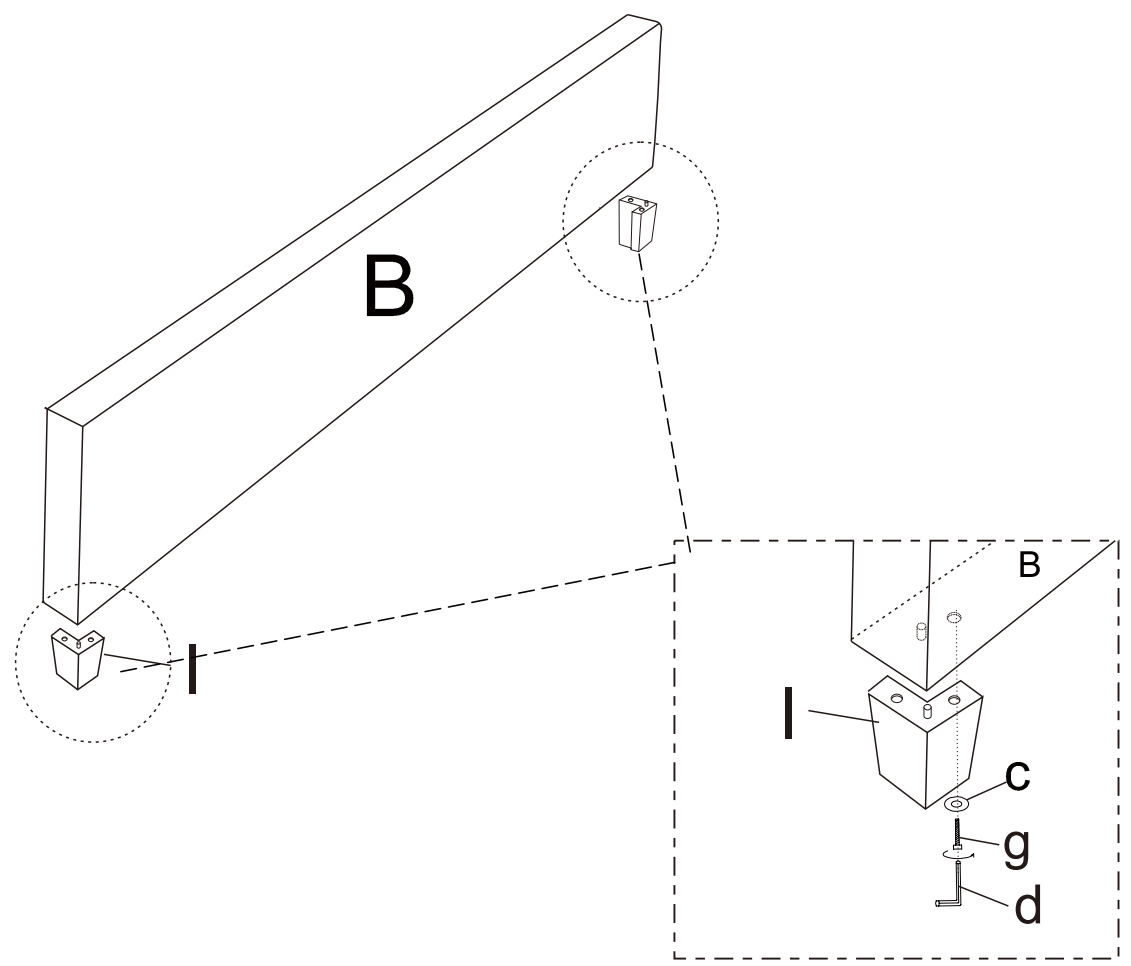
Bed foot



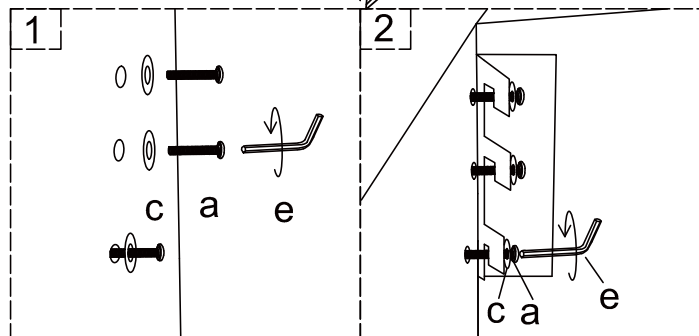
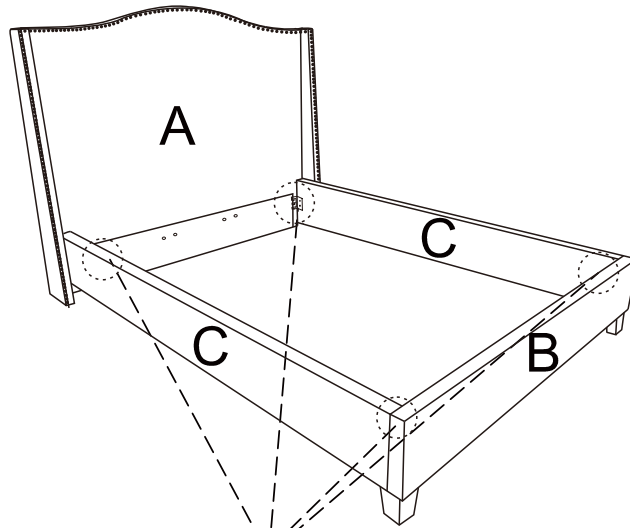
x2

spare parts 2

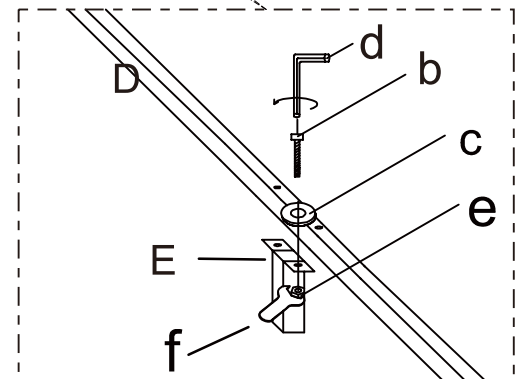
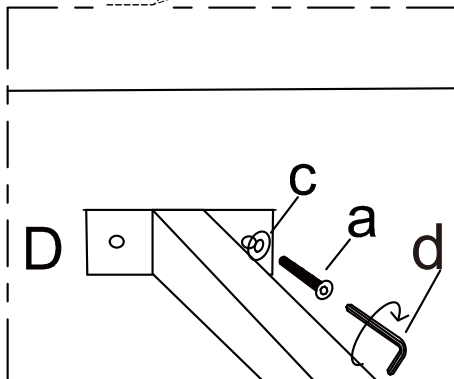
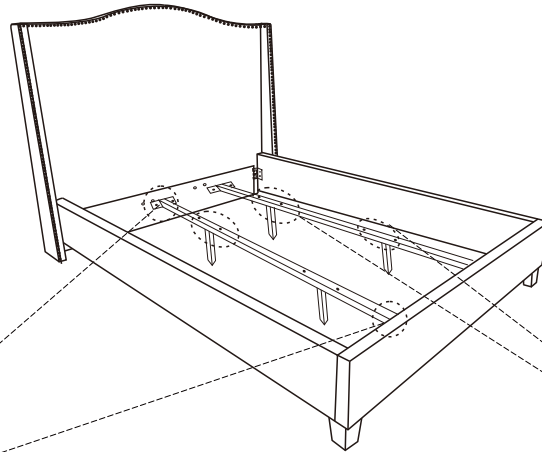
a	 5/16*30mm x20	d	 5/16 x1
b	 5/16*50mm x8	e	 ø5/16" X8
c	 5/16 x30	f	 NUT x1
setp:1		g	 5/16*70mm x2



setp:2



setp:3



setp:4

