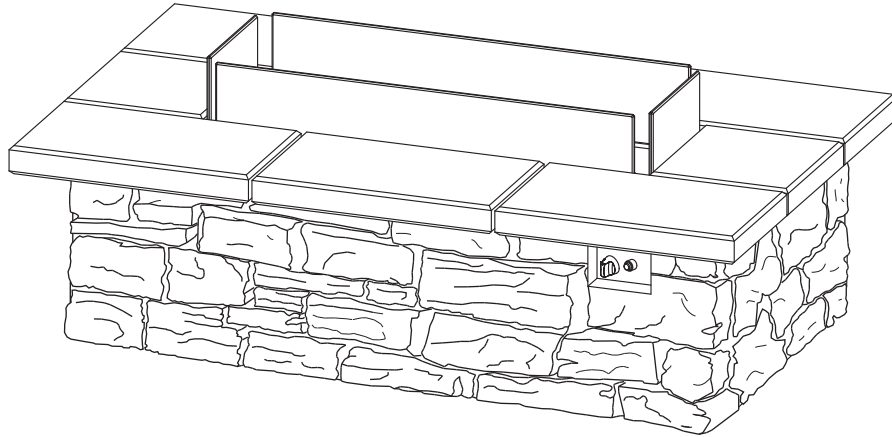




Lot: \_\_\_\_\_

P.O. \_\_\_\_\_



C11812LP

## Sedona Rectangle Fire Table Owner's Manual

**! IMPORTANT**  
**SAVE THESE INSTRUCTIONS**

**! WARNING**  
For outdoor use only. DO NOT use for cooking. DO NOT use under any overhead enclosure.



**! WARNING**

If the information in this manual is not followed exactly, a fire or explosion may result causing property damage personal injury or loss of life.

Installation and service must be performed by a qualified installer, service agency or gas supplier.

Improper Installation, adjustment, alteration, service or maintenance can cause injury or property damage.

Read the installation, operation and maintenance instructions thoroughly before installing or servicing this equipment.

Save these instructions for future reference. If you are assembling this unit for someone else, give this manual to him or her to read and save for future reference.

**! DANGER**

If you smell gas:  
1. Shut off gas to the appliance.  
2. Extinguish any open flame.  
3. If odor continues, keep away from the appliance and immediately call your gas supplier or fire department.

**! WARNING**

Do not store or use gasoline or other flammable vapors and liquids in the vicinity of this or any other appliance.

An LP-cylinder not connected for use should not be stored in vicinity of this or any other appliance.

For Technical Support Please Contact Real Flame® At: 1-800-654-1704

# TABLE OF CONTENTS

Important Safety Information	3
Propane (LP) Dangers and Warnings	5
Hose & Regulator Assembly and Replacement	7
Parts List	8
Assembly Instructions	9
Pre-use Instructions	14
Lighting Instructions	15
Care and Cleaning	16
Gas Component Checks	17
Troubleshooting	19
Warranty	21



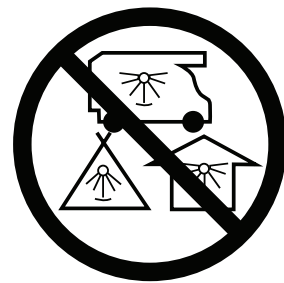
**DANGER**

## **CARBON MONOXIDE HAZARD**

This appliance can produce carbon monoxide which has no odor.

Using it in an enclosed space can kill you.

Never use this appliance in an enclosed space such as a camper, tent, car or home.



# IMPORTANT SAFETY INFORMATION



**WARNING** FIRE TABLE IS FOR OUTDOOR USE ONLY

## IF YOU SMELL GAS

- Shut off gas supply to the fire table.
- Extinguish any open flame.
- Do not try lighting any appliance.
- Do not touch any electrical switch; do not use any phone in your building.
- Immediately call your gas supplier from a neighbor's phone.
- Follow the gas supplier's instructions.
- If you cannot reach your gas supplier, call the fire department.

- **WARNING** Failure to follow the dangers, warning and cautions in this manual may result in serious bodily injury or death, or in a fire or an explosion causing damage to property.
- **IMPORTANT NOTICE** Read and understand all warnings and precautions prior to assembly and use of your gas fire table. Improper installation, adjustment, alteration, service or maintenance can cause injury or property damage.
- **Note** The use and installation of this product must conform to local codes. In the absence of local codes, use the National Fuel Gas Code, ANSI Z21.97. Reference to Natural Gas and Propane Installation code CSA B149.1 or Propane Storage and Handling code B149.2.
- **Minimum Clearance from Unit to Combustible Materials**  
72”(182.9cm) from the top; 48” (121.9 cm) from all sides and back. Do not locate this fire table under any overhead enclosure.
- This gas fire table and its individual shutoff valve must be disconnected from the gas supply piping system during any pressure testing of that system at test pressures in excess of 1/2 of psi (3.5 kPa). The appliance must be isolated from the gas supply piping system by closing its individual manual shutoff valve during any pressure testing of the gas supply piping system at test pressures equal to or less than 1/2 psi (3.5 kPa).
- Keep these instructions for future reference. If you are assembling this unit for someone else, give this manual to him or her to read and keep for future reference.
- This gas fire table must be used **ONLY** outdoors in a well-ventilated space and shall **NOT** be used inside a building, garage, or any other enclosed area.
- **DO NOT** use this outdoor gas fire table for indoor heating. **TOXIC** carbon monoxide fumes can accumulate and cause asphyxiation.
- **NEVER LEAVE** this gas fire table unattended when in use.
- Children should be alerted to the hazards of high surface temperatures and kept at a safe distance while your fire table is in use.
- Do not store or use gasoline or other flammable vapors and liquids within 25 feet (7.62m) of this or any other appliance.
- Do not store any combustible materials in the base enclosure.
- The use of alcohol, prescription or non-prescription drugs may impair an individual's ability to properly assemble or safely operate this outdoor fire table.

## IMPORTANT SAFETY INFORMATION (continued)

- DO NOT use in an explosive atmosphere. Keep gas fire table area clear and free from combustible materials, gasoline and other flammable vapors and liquids.
- This outdoor fire table is NOT to be operated by children. Young children should be closely supervised when in the vicinity of this outdoor fire table.
- This outdoor fire table is not to be installed or used in or on recreation vehicles and/or boats.
- Always use in accordance with all applicable local, state and national codes. Contact your local fire department for details on outdoor burning.
- Use the same precautions you would with any open fire when using this outdoor fire table.
- DO NOT burn solid fuels such as: wood, charcoal briquettes, lump charcoal, manufactured logs, driftwood, trash, leaves, paper, cardboard, plywood, painted or stained or pressure treated wood in this outdoor fire table.
- DO NOT use this outdoor fire table until it is COMPLETELY assembled and all parts are securely fastened and tightened.
- DO NOT store another LP gas tank within 10 feet (3.05 m) of this outdoor fire table while it is in operation.
- DO NOT use this outdoor fire table near automobiles, trucks, vans or recreational vehicles.
- DO NOT use this outdoor fire table under any overhead structure or near any unprotected combustible constructions. Avoid using near or under overhanging trees and shrubs.
- Always use this outdoor fire table on a hard, level non-combustible surface such a concrete, rock or stone. An asphalt or blacktop surface may not be acceptable for this purpose.
- DO NOT use this outdoor fire table if any part has been under water. Immediately call a qualified service technician to inspect the fire table and to replace any part or control system and any gas control which has been under water.
- DO NOT wear flammable or loose clothing when operating this outdoor fire table.
- DO NOT use in windy conditions.
- Keep all electrical cords away from a hot outdoor fire table.
- Certain areas of this outdoor fire table when in use will become too hot to touch. Do not touch hot surfaces until the unit has cooled unless you are wearing protective gear such as insulated pot holders or heat resistant gloves or mittens to avoid burns.
- DO NOT hang or place clothing or other flammable materials on or near the gas fire table.
- Any guard or other protective device removed for servicing the fire table must be replaced prior to operating the fire table.
- DO NOT attempt to move or store this outdoor fire table until all parts are cool.
- DO NOT lean over this outdoor fire table when lighting or when in use.
- Use only the regulator and hose assembly provided. The replacement regulator and hose assembly shall be that specified by the manufacturer.
- DO NOT attempt to disconnect the gas regulator from the tank or any gas fitting while the outdoor fire table is in use.
- Always shut off gas supply at the tank valve and disconnect regulator from the tank when the fire table is not in use
- DO NOT sit on the mantle when the unit is in operation.
- DO NOT throw anything onto the fire when the unit is in operation.
- Lava rocks are very hot; please keep the children or pets away at a safe distance.
- It is essential to keep the outdoor fire table valve compartment, burners, and circulating air passages clean. Inspect outdoor fire table before each use.
- Prior to each fire table operation, check the hose for evidence of excessive abrasion or wear by looking through the visual check hole. If the hose is damaged, cracked or cut, it must be replaced before using the gas fire table. The hose assembly can only be replaced with a hose assembly specified by the manufacturer. Please call Real Flame at 1-800-654-1704.

## IMPORTANT SAFETY INFORMATION (continued)

- Before each use, remove the lava rocks. Examine the burner and its components. If dirty, clean with a soft brush and soapy water solution. Examine the area around the burner; any dirt or foreign material, such as spider webs or nests in this area should be removed. If it is evident that the burner is damaged, the fire table must not be used. The burner assembly cannot be replaced. Please contact Real Flame at 1-800-654-1704 for technical support.
- Place the hose out of the pathways where people may trip over it. Do not place the hose in areas where it may be subjected to accidental damage.

### **⚠ WARNING**

This fire table is for use with liquefied petroleum (LP) gas only. The conversion to Natural Gas (NG) must be done with the approved Real Flame conversion kit and must be done by a gas professional. Failure to do so may result in property damage, injury, or death.

ATTENTION: Any alteration of the outdoor fire table that is not specifically directed in the operations manual will void manufacturer warranty.

## PROPANE (LP) DANGERS AND WARNINGS

### LP GAS

LP gas is flammable and hazardous if handled improperly. Become aware of the characteristics before using any LP gas product.

#### Propane Characteristics

- Flammable, explosive under pressure, heavier than air and settles in pools in low areas.
- In its natural state, propane has no odor. For your safety, an odorant has been added.
- Contact with propane could burn your skin.
- Propane is extremely flammable and hazardous if handled improperly.

#### LP GAS WARNINGS

- Cylinders must be stored outdoors in a well-ventilated area out of reach of children.
- Disconnected cylinders must have threaded valve plugs tightly installed and must not be stored in a building, garage or any other enclosed area.
- Never use a propane cylinder with a damaged body, valve, collar or footing.
- Dented or rusted propane cylinders may be hazardous and should be checked by your propane gas supplier.
- Be sure to use only one 20 lb (9.1 kg) LP gas cylinder with a Type 1 valve with this appliance as required by the American National Standards Institute (ANSI) and the Canadian Standards Steering Committee.
- Only tanks marked "propane" may be used.
- The LP gas supply tank must be constructed and marked in accordance with the Specifications for LP gas LP gas tanks of the U.S. Department of Transportation (DOT) or the National Standard of Canada, CAN/CSA-B339, LP gas tanks, Spheres and Tubes for the Transportation of Dangerous Goods; and Commission.
- LP gas tank must be arranged for vapor withdrawal.
- The LP gas tank must have a listed overfilling prevention device (OPD) and a QCCI or Type I (CGA810) LP gas tank connection.

# PROPANE (LP) DANGERS AND WARNINGS

- The LP gas tank must have a tank collar to protect the tank valve.
- LP gas cylinder must contain a shut-off valve as specified in the Standard for Compressed Gas Cylinder Valve Outlet and Inlet Connection, ANSI/CGA-V-1-1977, CSA B96.
- The LP gas tank should not be dropped or handled roughly.
- Tanks must be stored outdoors out of the reach of children. Do NOT store in a building, garage, or any other enclosed area.
- Never store your LP gas tank where temperatures can reach over 125°F.
- Do not store the LP gas cylinder in direct sunlight or near a source of heat or combustion.
- Never keep a filled LP gas tank in a hot car or car trunk. Heat will cause the gas pressure to increase, which may open the relief valve and allow gas to escape.
- Place dust cap on valve outlet whenever the LP gas tank is not in use. Only install the type of dust cap on the LP gas tank valve outlet that is provided with the LP gas tank valve. Other types of caps or plugs may result in leakage of propane.
  - a. Do not store a spare LP gas cylinder under or near this appliance.
  - b. Never fill the LP gas cylinder beyond 80% full.
  - c. If the information in (a) and (b) is not followed exactly, a fire causing death or serious injury may occur.
- LP gas cylinders should be filled only by a certified LP gas dealer.
- The pressure regulator is set for 11 inches of water column (pressure).
- The maximum inlet gas pressure for this outdoor fire table is 14 inches of water column pressure.
- Never attempt to attach this appliance to the self-contained LP gas system of a camper trailer, motor home or house.
- Always use the pressure regulator and hose assembly provided with the appliance to connect to a LP gas cylinder. Never connect to an unregulated LP gas supply. For technical support contact Real Flame at 1-800-654-1704.
- Hand turn the manual gas control valve. Never use tools. If the valve will not turn by hand, do not try to repair it. Call a Certified Gas Technician. The use of force or any self attempted repair may result in a fire or explosion.

## **Connecting your gas cylinder**

Before connection, be sure that there is no debris caught in the head of the gas cylinder, head of the regulator valve or in the head of the burner and burner ports. Connect regulator valve and hand-tighten firmly. Disconnect the propane cylinder from the regulator valve when the fire table is not in use. DO NOT obstruct the flow of combustion air and ventilation air to the burner.

# HOSE & REGULATOR ASSEMBLY AND REPLACEMENT

**1.** This fireplace comes equipped with a standard LP gas hose and regulator including the appliance side connection for a CGA No 791 Cylinder Connection Device. The LP gas hose and regulator supplied with this fire table must be used. Only a hose and regulator specified by manufacturer can be used for replacement.

- a.** The CGA No 791 connection incorporates a magnetic flow limiting device that acts to limit the flow of gas if a leak is detected between the regulator and the burner valve.
- b.** If the burner valve is open prior to the LP gas cylinder service valve being opened, the connection will interpret this free flow of gas to be a leak.
- c.** The connection safety feature will reduce gas flow from the regulator to the appliance to a minimal level.
- d.** Be sure that the burner control valve is closed prior to opening the LP gas cylinder service valve to ensure that the connection flow limiting device is not triggered mistakenly.
- e.** If the connection flow limiting device is triggered mistakenly, close the LP gas cylinder service valve and the burner valve, wait 10 seconds to allow the device to reset, open the cylinder service valve, then open the burner valve and light the fireplace as per lighting instructions.

**2.** Be sure to protect the hose from any hot surfaces. Serious danger may result if the hose contacts any hot surface.

**3.** Regular maintenance of the hose and regulator:

- a.** Inspect the hose before each use of the fire table. If the hose shows signs of cracks, abrasions, cuts or damage of any kind, do not operate the appliance. Fix or replace the hose as required before using the appliance. For assistance with repair or replacement of the hose, call Real Flame at 1-800-654-1704. Use only replacement parts from the manufacturer.
- b.** Inspect the seal inside the CGA No 791 service valve on the LP gas cylinder when replacing the cylinder or at least once per year. If there is any indication of damage, have the seal replaced by a certified gas dealer before operating the appliance.

**4.** Do not use tools to tighten the CGA No 791 connection nut onto the LP gas cylinder service valve. Hand tighten only.

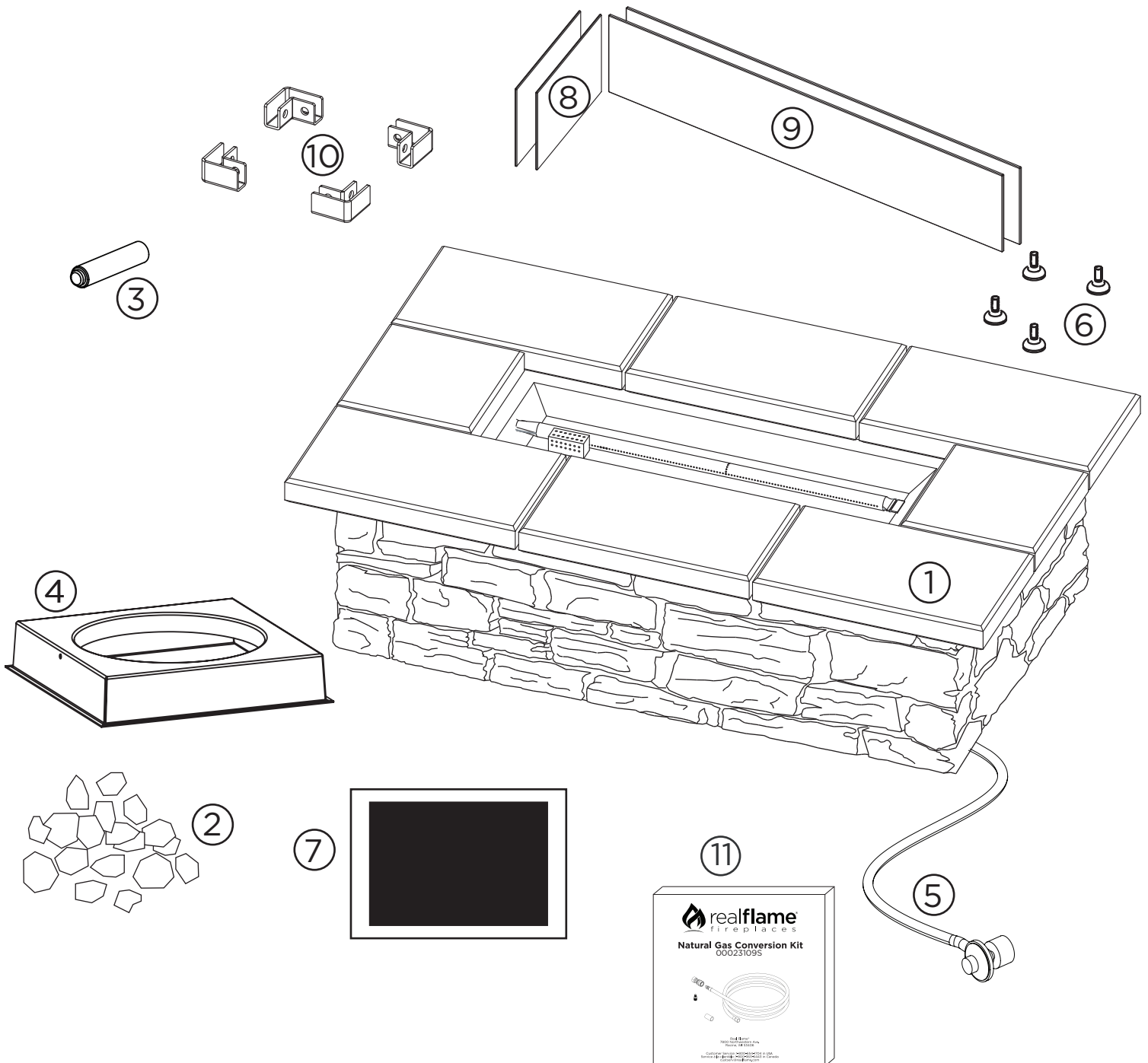
**5.** Be careful to not cross the threads on the connection when tightening the CGA No 791 connection on to the LP gas cylinder service valve.

**6.** “Leak Test” should always be performed after attaching the connection to the LP gas cylinder service valve. (See “Checking for Leaks” section of this manual on page 14)

**7.** For the connection of the hose and regulator to the LP tank, refer to the “Connection” section of the LP gas cylinder section above.

# Parts List

①	Fire Table	N/A	1	⑥	Feet	06000003	4
②	Lava Rock	118137100	1	⑦	Protective Cover	118120007	1
③	Battery	N/A	1	⑧	Short Glass	118120008	2
④	Tank Seat	100260000	1	⑨	Long Glass	118120009	2
⑤	LP Regulator and Hose	100190000	1	⑩	Glass Hardware Kit	118020007	4
				⑪	Natural Gas Conversion Kit	00023109S	1

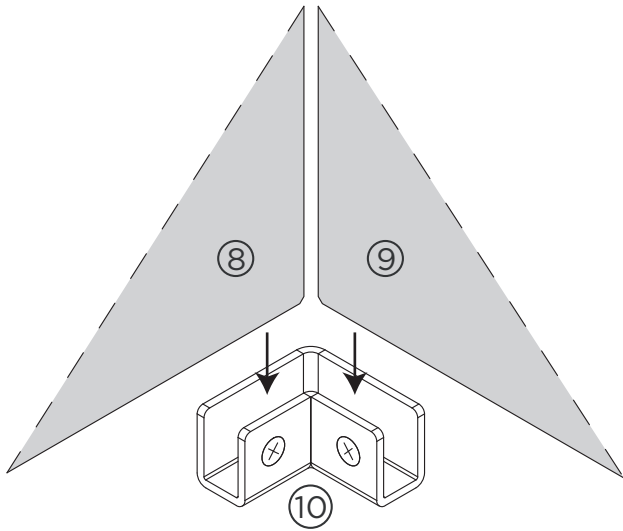




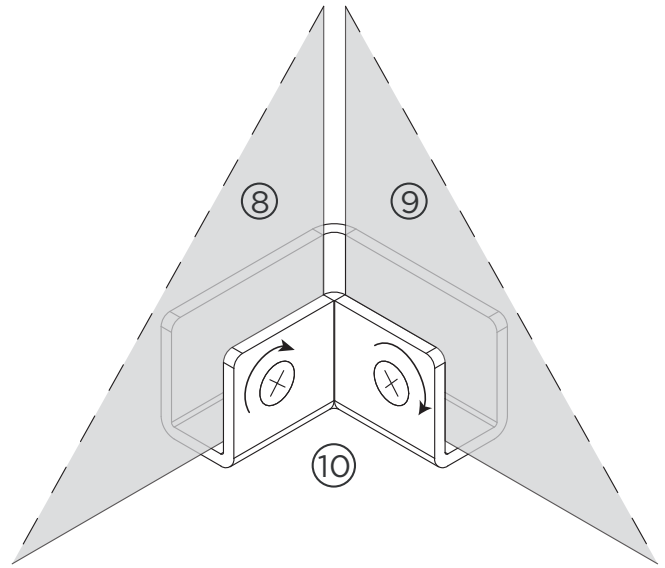
# ASSEMBLY INSTRUCTIONS

# 1

Insert the glass panes (8 & 9) into the corner brackets (10).

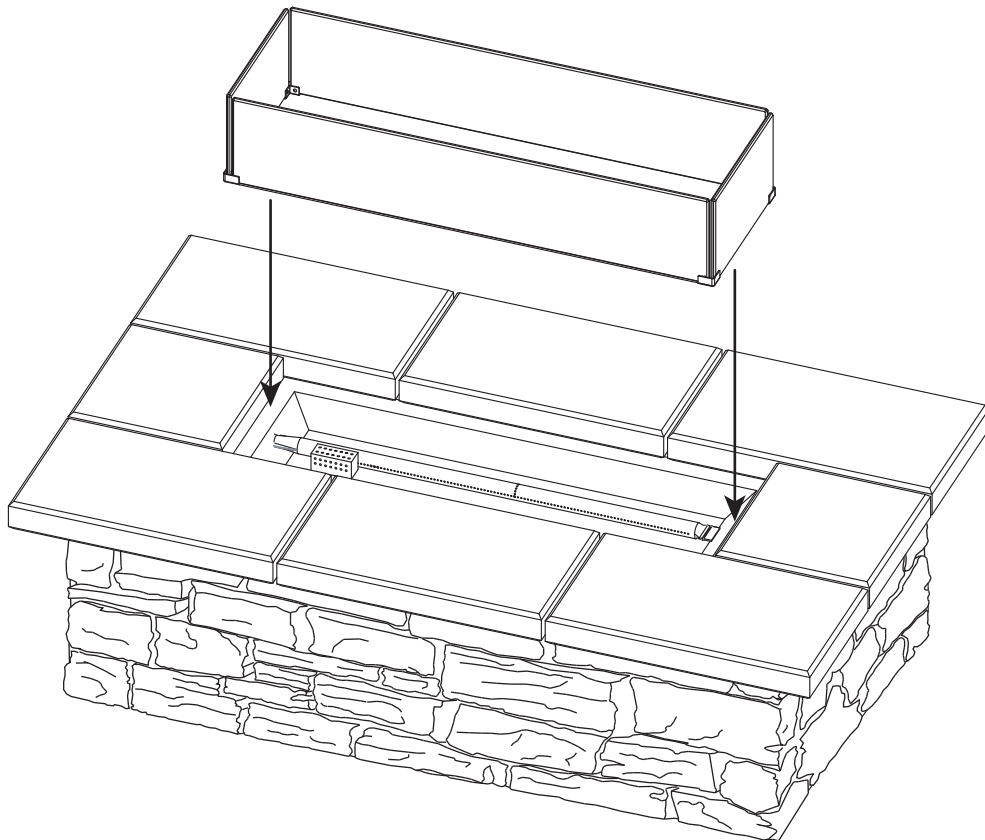


Secure the glass into place by tightening the screws with a screwdriver. Do not overtighten the screws.



Place assembled glass on the edge around the burner.

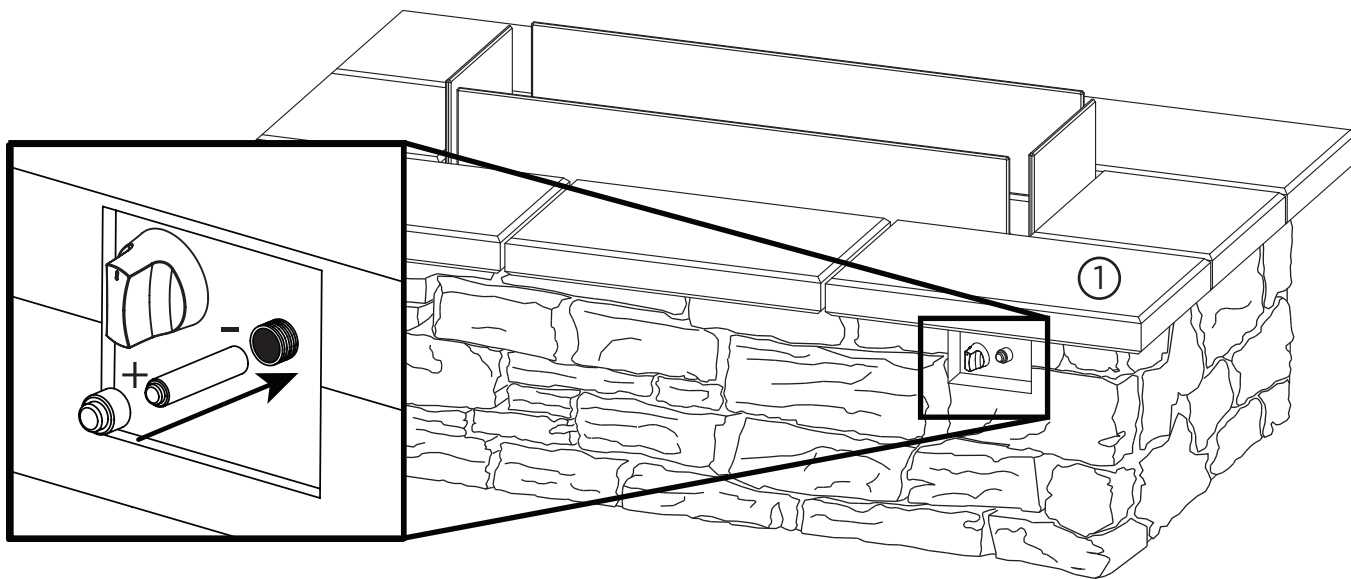
# 2



# ASSEMBLY INSTRUCTIONS

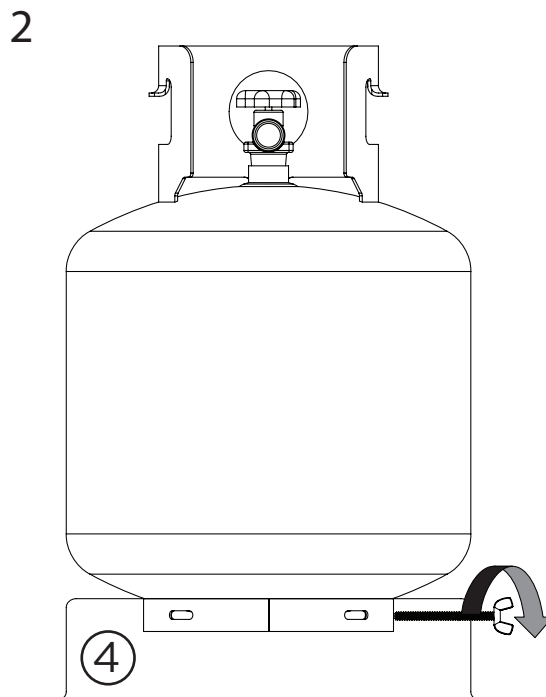
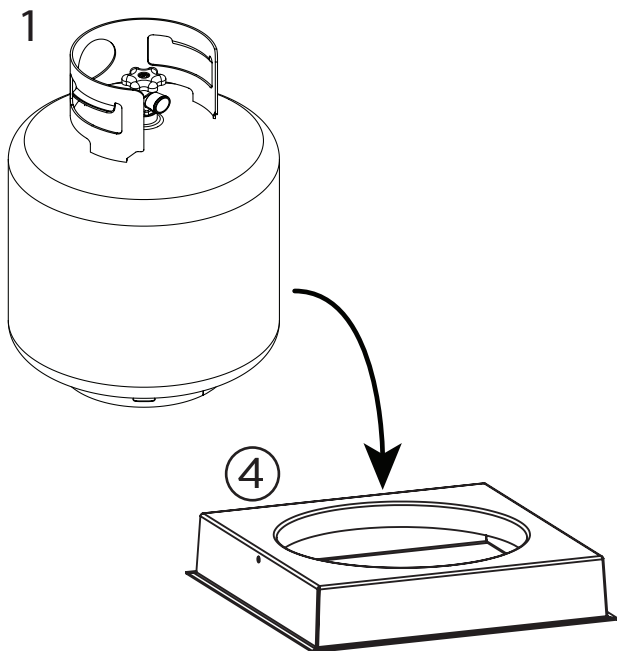
## 3

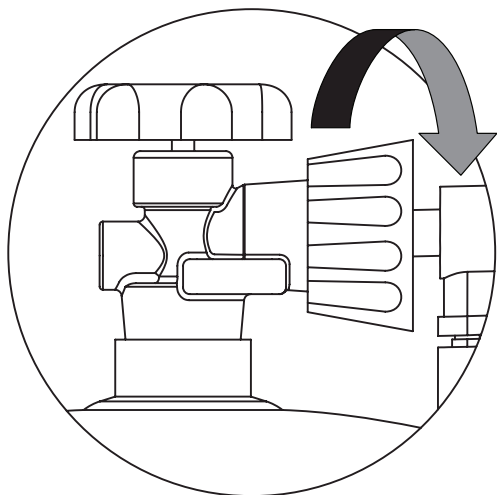
Install the AAA battery as shown in the diagram below.



## 4

1. Place the tank seat on the ground and place a 20 lb. propane tank into the tank seat.
2. Tighten down the screw on the side of the tank seat to secure the propane tank.

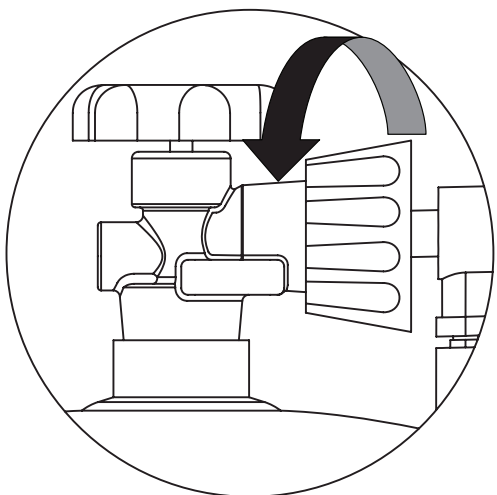




## Connecting the LP Gas Tank

Check to make sure there is no debris in the head of the LP gas tank or in the head of the regulator valve. Make sure you check the burner and burner ports as well.

Connect gas line to tank by turning knob clockwise. Hand tighten only.



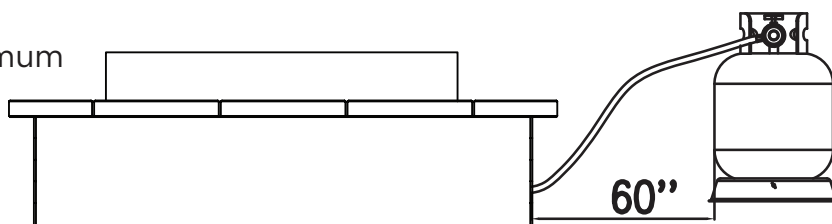
## Disconnecting the LP Gas Tank

Make sure the valve on the LP gas tank is OFF.

Disconnect by turning the knob counter clockwise until it is detached from the valve.

## WARNING

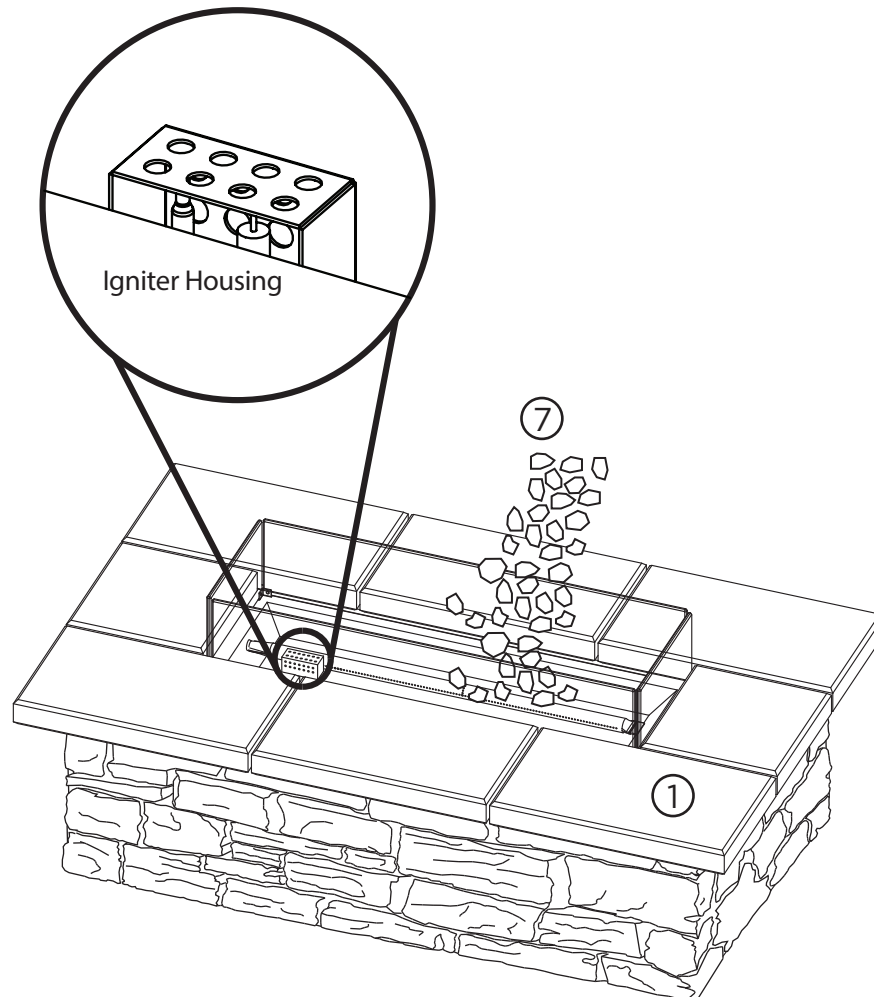
Fire table and propane gas cylinder minimum distance must be over 60 inches.



# ASSEMBLY INSTRUCTIONS

## 6

Place filler material by hand. DO NOT dump bag out into tray to avoid clogging the burner with dust. Position the lava rock or other approved filler material across the burn area to a level 1" above the burner. Make sure that you do not block the igniter housing with lava rock to ensure proper ignition.



### NOTE

Additional filler materials such as glass or pumice stone are available for purchase through Real Flame. Contact Real Flame for pricing and options.

### Lava Rock and Glass Filler Warning:

1. Do not overfill the burner area with rock or glass filler. The depth of the filler should not be more than one inch above the burner tube. Only Real Flame filler products have been certified and tested by CSA for safe use with this Real Flame fire table. Using other filler material may result in increased popping/ and cracking or increased CO gas emission.
2. Do not light or use this fire table if filler is wet. Ensure filler is completely dry before lighting. Intense heat can cause wet filler to explode and hit someone causing injury.
3. Please keep away from the fire table for at least 20 minutes during initial start-up as filler could retain some moisture from manufacturing and shipping.

# PRE-USE INSTRUCTIONS

**! WARNING** Before using this outdoor fire table, make sure you have read, understand and are following all information provided in the Important Safety Information section of this manual. Failure to follow those instructions can cause death, serious injury or property damage.

Prior to each gas fire table operation, check the hose and valve for evidence of excessive abrasion or wear.

## BURNER CONNECTIONS

Make sure the regulator valve and hose connections are securely fastened to the burner and the tank. If your unit was assembled for you, visually check the connection between the burner pipe and orifice. Make sure the burner pipe fits over the orifice.

**! WARNING** Failure to inspect this connection or follow these instructions could cause a fire or an explosion, which can cause death, serious bodily injury, or damage to property.

Please refer to diagram for proper installation. If the burner pipe does not rest flush to the orifice please contact Real Flame at 1-800-654-1704 for assistance.

## CHECKING FOR LEAKS

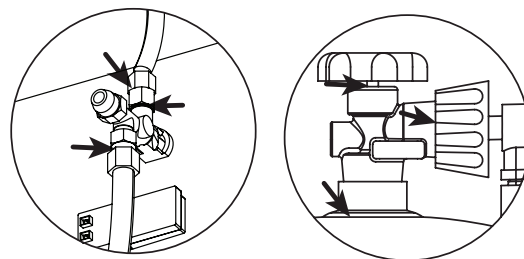
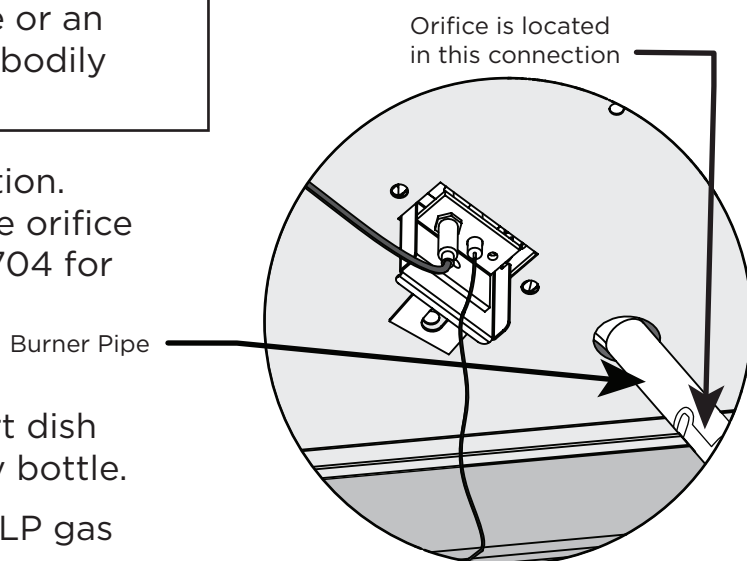
Make a leak check solution by mixing 1 part dish washing soap with 3 parts water in a spray bottle.

Make sure control knob is OFF. Then, turn LP gas tank to ON at valve.

Spray leak solution on valve connections paying particular attention to the areas indicated by arrows.

If any bubbles appear turn LP gas tank OFF, reconnect and re-test. If you continue to see bubbles after several attempts, disconnect LP gas source and contact Real Flame at 1-800-654-1704 for assistance.

If no bubbles appear after one minute turn tank OFF, wipe away solution and proceed.

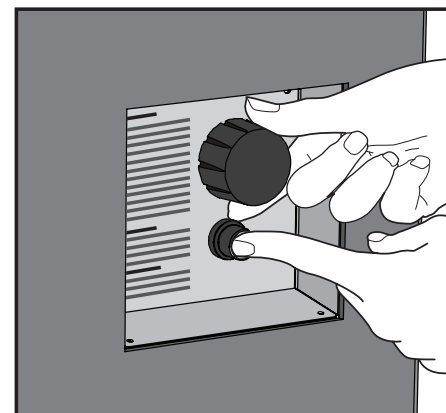


Check for leaks at these locations

# LIGHTING INSTRUCTIONS

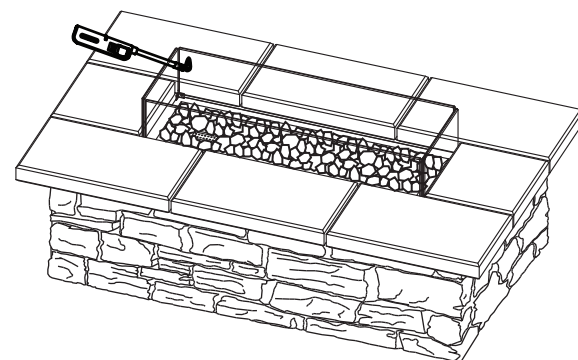
## Using the Igniter

1. Read and understand all operating instructions before lighting. Ensure that all protective film has been removed from stainless burn tray prior to lighting.
2. Burner control knob must be in the OFF position.
3. Connect propane (LP) cylinder (see previous pages).
4. Slowly open valve on LP gas cylinder.
5. Push and hold ignitor button to create sparks.
6. While holding the ignitor button with one hand, use your other hand to push and turn the control knob to the LIGHT position to light the burner.
7. Keep Burner Control Knob pressed in for 15-30 seconds after ignition.
8. If ignition does not occur in 30 seconds, turn control knob to the OFF position and turn gas off at the source, wait 5 minutes until gas has cleared and repeat lighting procedure.
9. After lighting, rotate the Burner Control Knob counter clockwise to LOW setting. Observe flame, make sure all burner ports are lit. Flame height should be no higher than 13 inches tall.
10. Adjust the flame to the desired height with the control knob.



## Using a Long Match or Lighter

1. Prior to lighting, use a shovel to move lava rocks for access to the burner.
2. Wearing heat resistant gloves, position the burning long match or burning butane lighter near the side of the burner. DO NOT lean over the fire table while lighting!
3. Turn control knob counterclockwise to LIGHT.
4. Remove long match/long butane lighter.
5. After lighting, use a shovel and heat resistant gloves to carefully move the lava rocks back into their proper position and replace the glass panel.
6. After lighting, rotate the Burner Control Knob counter clockwise to LOW setting. Observe flame, make sure all burner ports are lit. Flame height should be no higher than 13 inches tall.
7. Adjust the flame to the desired height with the control knob.



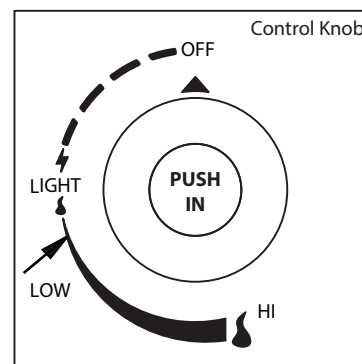
## **WARNING**

When using this method to light your fire table use heat resistant gloves and follow the step by step instructions. Failure to do so could result in severe injury.

## **WARNING**

If burner flame goes out during operation, immediately turn the control knob OFF and let the gas clear a minimum of 5 minutes before attempting to re-light the fire table.

**Please refer to the trouble shooting pages for additional support, beginning on page 18.**



# CARE AND CLEANING

## Inspecting

This outdoor fire table must be inspected regularly to insure that the product is safe to use and to extend product life.



**WARNING** DO NOT inspect this outdoor fire table until the fire is COMPLETELY out.

1. Check the burner to make sure it is securely in place.
2. Check the Venturi tube to make sure it is clear and free of insects, spider nests and other debris.
3. Check all gas connections for leaks.
4. Check ignition system to insure proper sparking.
5. Check components for any signs of damage, rust or excessive wear.
6. If damage to any component is detected, DO NOT operate until the proper repairs have been made.



**WARNING** DO NOT tamper with this appliance. This is DANGEROUS and will void the warranty. Any part found to be faulty must be replaced with an approved part, confirmed by manufacturer. For technical support contact Real Flame at: 1-800-654-1704.

## General Care and Cleaning

This outdoor fireplace should be cleaned regularly to ensure safe use and extend product life.

Note: After repeated use, a slight discoloration of the finishes may occur.

### Table

1. Wipe exterior surfaces with a mild dish washing soap or baking soda, then rinse clean with water.

### Stainless Steel

1. For general cleaning use warm water, soap, ammonia, or detergent apply with a soft cloth or sponge.
2. For finger prints or smears use 3M Stainless Steel Cleaner and Polish, Arcal 20, Lac-O-Nu, LuminWash, O’Cedar Cream Polish, or Stainless Shine, this will provide a barrier file to minimize fingerprints.\*
3. For stubborn stains and discoloration use 3M Stainless Steel Cleaner and Polish, Allchem Concentrated Cleaner, Samae, Twinkle, Cameo Copper Cleaner, Liquid Nu Steel, Copper’s or Revere Stainless Steel Cleaner, apply using a soft cloth in the same direction of the polish lines.\*

\* Use of proprietary names is intended only to indicate a type of cleaner and does not constitute endorsement. Omission of any proprietary cleanser does not imply its inadequacy. All products should be used in strict accordance with instructions on package.

## Storage



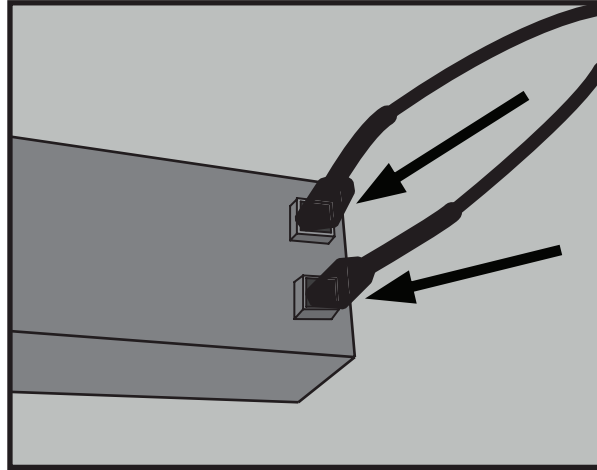
**WARNING** DO NOT move or store this fire table unless the fire is COMPLETELY out and cool to the touch.

1. Turn gas OFF at tank connection. Remove tank and store in a cool, dry location outdoors, away from children.
2. Carefully remove rock filler and store components flat to protect them from breakage.
3. ALWAYS cover your outdoor fire table when not in use with the cover provided with the unit.
4. Store in a cool, dry location away from children and pets.

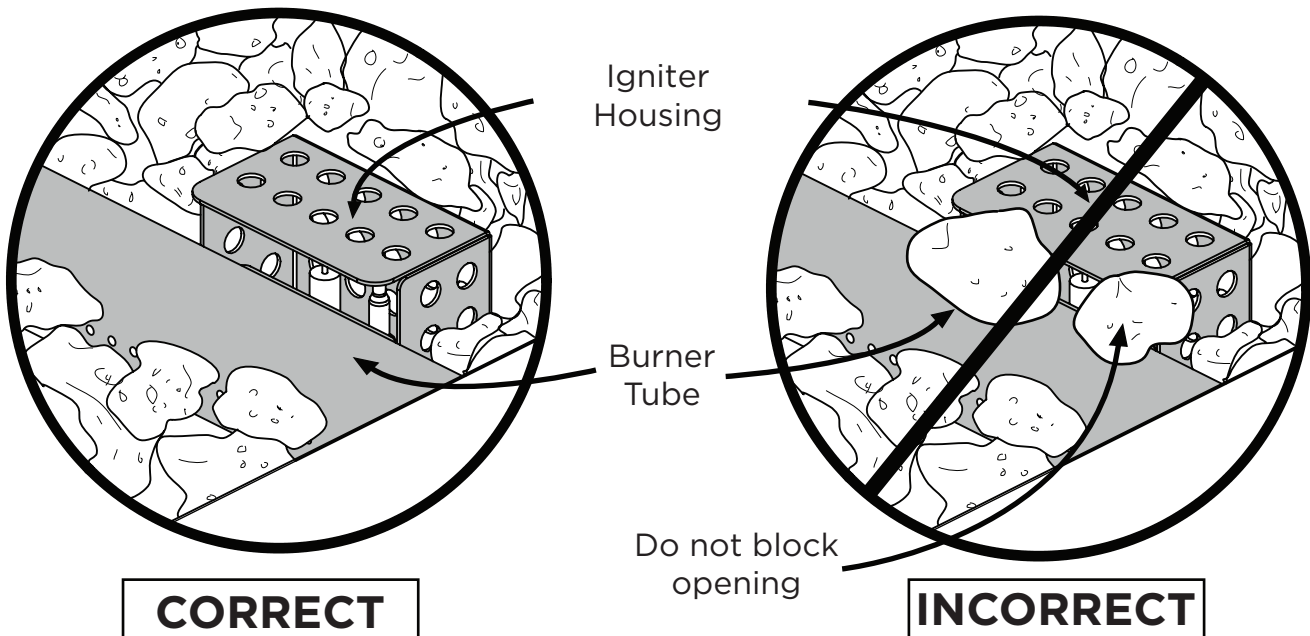
# GAS COMPONENT CONNECTION CHECKS

If the burner will not light or stay lit, please perform the following checks.

1. Make sure the electrode wire is correctly connected.  
Both electrode wires must be fully inserted into the ignitor box.

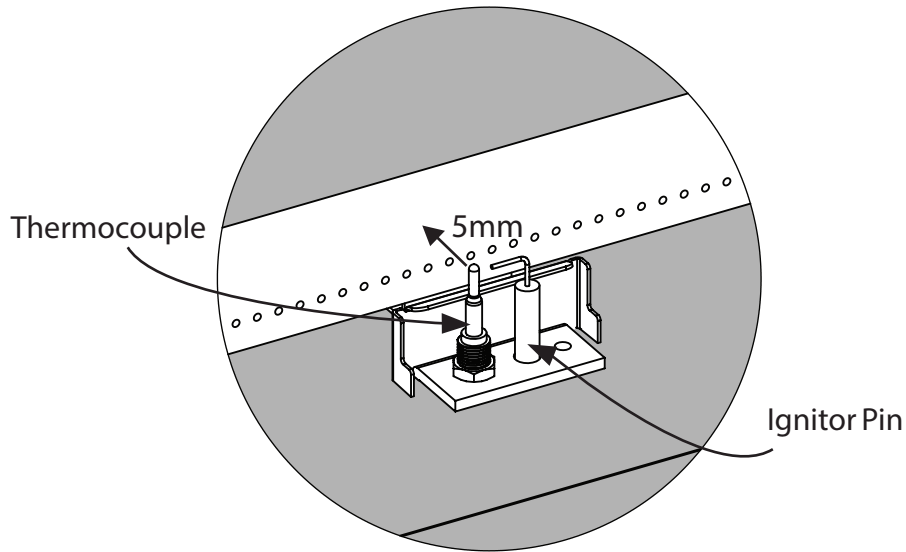


2. Make sure that the igniter housing is unobstructed.  
Clear any debris on top of the igniter housing and make sure there is no debris between the ignitor pin, thermocouple and the burner tube.

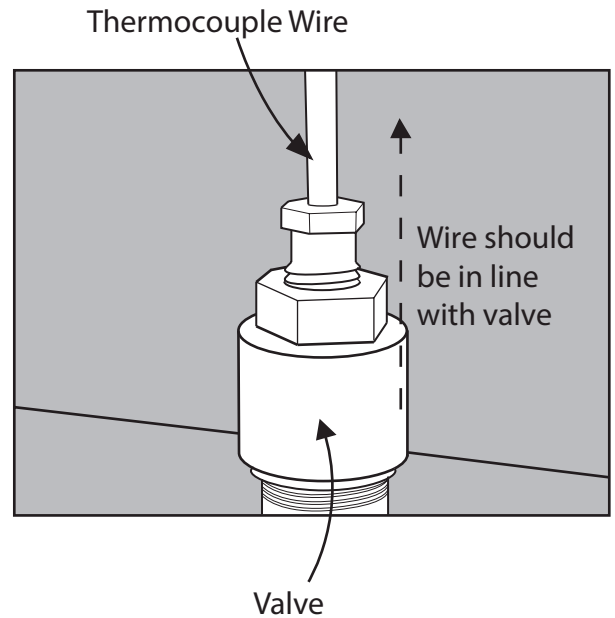
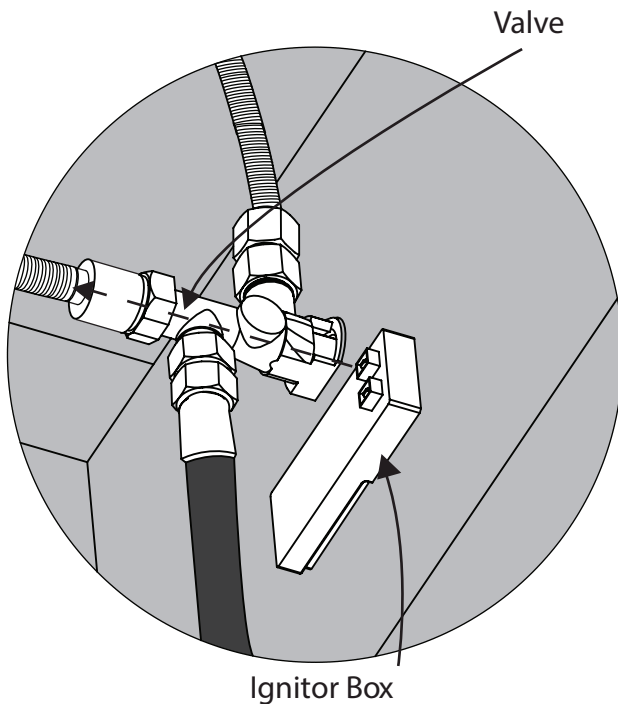




# GAS COMPONENT CONNECTION CHECKS



3. Make sure that the ignitor pin and thermocouple are correctly positioned.
- The ignitor pin should be pointed straight to the thermocouple.
  - The thermocouple should be positioned 5mm away from the burner tube.



4. Make sure that the thermocouple wire is correctly positioned. The thermocouple wire should be in line with the valve.

# TROUBLESHOOTING

## Problem: Burner will not light using ignitor

### Possible Cause 1: Electrode and burners are wet.

-Wipe dry with cloth.

### Possible Cause 2: Ignitor battery is dead or backwards.

-Check that the AAA battery is inserted correctly in the ignitor (see page 10) or replace the battery.

### Possible Cause 3: Ignitor Pin cracked or broken - sparks at crack.

-Call Real Flame at 1-800-654-1704 for technical support.

### Possible Cause 4: Wire loose or disconnected.

-Reference page 16, step 1, reconnect wire. Call Real Flame at 1-800-654-1704.

### Possible Cause 5: Wire is shorting (sparking) between ignitor and electrode.

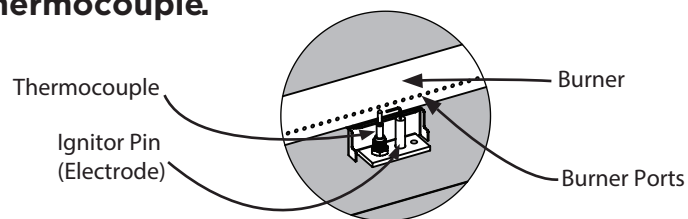
-Call Real Flame at 1-800-654-1704 for support.

### Possible Cause 6: Ignitor Pin not pointing at thermocouple.

-Reference page 17, turn electrode to point at the thermocouple.

### Possible Cause 7: Bad Ignitor.

-Call Real Flame at 1-800-654-1704 for support.



## Problem: Burner will not light with match

### Possible Cause 1: No Gas Flow.

-Check if the LP gas tank is empty. If empty, replace and refill. If the propane tank is not empty, refer to "Problem: Sudden drop in gas flow" on the following page.

### Possible Cause 2: Coupling nut and regulator not fully connected.

-Turn the coupling nut about one half to three fourths a turn, until you feel a solid stop. Do not use tools, tighten by hand only.

### Possible Cause 3: Obstruction of gas flow.

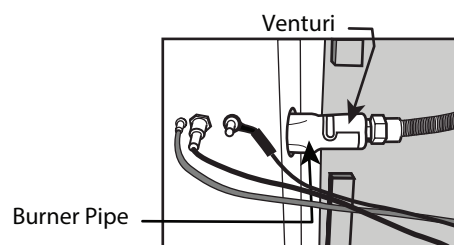
- Check for bent or kinked hose.

### Possible Cause 4: Spider webs or insect nest in the Venturi.

- Clean the Venturi.

### Possible Cause 5: Burner ports clogged or blocked.

-Reference "Problem: Irregular flame pattern" on the following page. Clean the burner ports as described there.



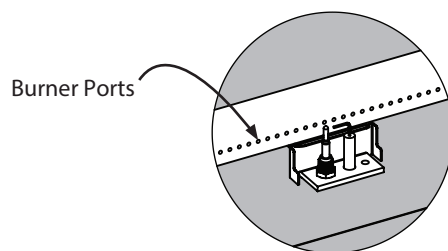
## Problem: The Fire Table emits a lot of black smoke when in use

### Possible Cause 1: Hose from gas fireplace is pinched.

-Make sure the hose is not pinched between the fire table and the source of the gas.

### Possible Cause 2: Flame is being obstructed at burner ports.

-Make sure that the gas ports on the burner are free of any lava rocks so that the flame can flow naturally.



# TROUBLESHOOTING

## Problem: Sudden drop in gas flow, or a reduced flame height

### Possible Cause 1: Out of gas.

-Replace with new tank.

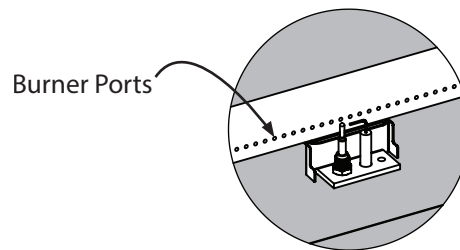
### Possible Cause 2: Excess flow safety device may have been activated.

-Your device is equipped with an automatic safety shutoff to prevent gas from flowing if the flame goes out. In order for the unit to work flames must be contacting the thermocouple located in the igniter housing. Visually inspect the thermocouple and igniter housing to make sure there are no obstructions, such as lava rock, and that flames are contacting the thermocouple.

## Problem: Irregular flame pattern, flame does not run the full length of the burner

### Possible Cause: Burner ports are clogged or blocked.

-Clean burner ports. Do this by inserting a paperclip into each of the burner ports to ensure they are not clogged. **WARNING:** Make sure burner is not on and the gas supply has been properly disconnected. Allow 15 minutes for unit to cool before touching it.



## Problem: Flame blow out

### Possible Cause 1: High or gusting winds.

-Increase flame to HIGH setting.

### Possible Cause 2: Low on LP gas.

-Replace or refill LP gas tank.

### Possible Cause 3: Excess flow valve tripped.

-Refer to "Problem: Sudden drop in gas flow"

## Problem: Flame seems to lose heat when burning in cold weather - temperature below 50°F

### Possible Cause 1: Ice has built up on the outside of the LP gas tank because the vaporization process is too low.

-Turn the control knob and the LP gas tank to OFF. Replace with a spare LP gas tank and resume burning. Store the spare LP gas tank in a well ventilated area, away from children.

If these troubleshooting steps are unable to resolve the problem, please call Real Flame at: 1-800-654-1704

# Warranty & Return Policies

## **Warranty**

Real Flame® Company warrants Real Flame gas fireplaces and accessories to be free from defects in parts under normal use and service for a period of 1 year from the date of purchase and defective from finish issues for a period of 1 year from the date of purchase. In the event of such defects Real Flame will, at its option, replace the defective product or refund the purchase price. The foregoing is the exclusive remedy and Real Flame disclaims all other warranties, including any implied warranty of merchantability or fitness for a particular purpose. In addition, Real Flame will not be responsible for consequential damages in excess of the purchase price of the product on which such liability is based.

## **Return Policy**

You may return your purchase within 90 days of receipt. No refunds will be issued for incomplete or unauthorized returns. All returned products must be 100% complete, adequately packaged in original packaging and in resalable condition. Products that have been assembled or modified will not be eligible for return. All items must be returned in their entirety, meaning all items included must be returned together. No returns or exchanges on discontinued items. Please begin the return process by contacting the store or company where you bought your Real Flame item.

## **Replacement Parts**

In the event that an item has been lost or damaged, either by the manufacturer or in shipping, you may request a replacement. Replacement parts are not available for all units and only given at Real Flame's discretion. We will assess any damage and find a solution, which could include shipping you a replacement. No replacements are available for discontinued items or repackaged (open box) products. Please call Real Flame Customer Service at 800-654-1704 for replacement parts before returning the damaged item. Please have the following information (which can be found in your instruction manual) ready before you call Customer Service.

- Model Number of Item
- 4-8 digit Part Number
- Lot Code Number
- Shipping Address
- A picture of the damaged item may be requested. Pictures should be sent to [custserv@realflame.com](mailto:custserv@realflame.com)

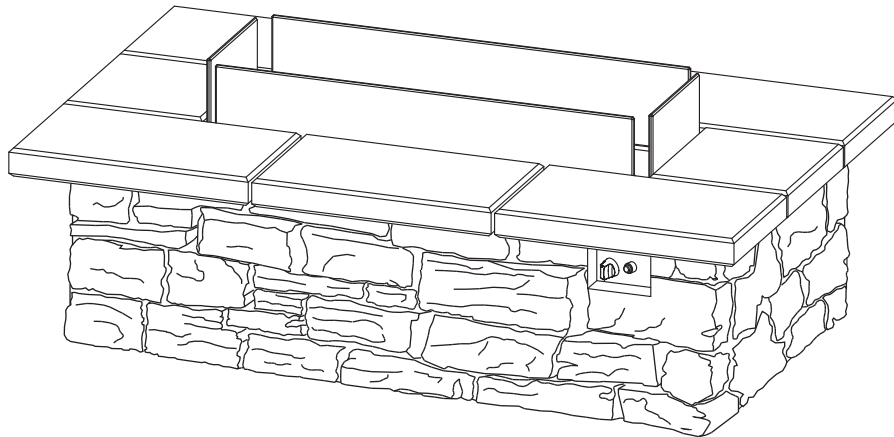
## **Incorrect Order Received**

If you received something other than what you ordered, please contact Real Flame Customer Service at 800-654-1704 within 48 hours of receiving the item.

Please refer to [www.Realflame.com](http://www.Realflame.com) for our complete return guidelines and policies.

Real Flame®  
7800 Northwestern Ave.  
Racine, WI 53406

Customer Service: 1-800-654-1704 in USA  
Service à la clientèle: 1-800-363-6443 in Canada  
[custserv@realflame.com](mailto:custserv@realflame.com)



## C11812LP Sedona Manuel d'utilisation de la table-foyer

 **IMPORTANT**  
**CONSERVER CES**  
**INSTRUCTIONS**

 **AVERTISSEMENT**

Pour un usage extérieur exclusivement.  
NE PAS utiliser pour la cuisson. NE PAS  
utiliser sous une enceinte couverte.



 **AVERTISSEMENT**

La négligence à suivre scrupuleusement les instructions contenues dans ce manuel peut provoquer un incendie ou une explosion occasionnant des dommages à la propriété, des blessures sérieuses et même la mort.

L'installation et l'entretien doivent être faits par un installateur qualifié, une compagnie d'entretien ou un fournisseur de gaz.

Une installation, une mise au point, une modification ou un entretien inappropriés peuvent occasionner des blessures ou des dommages à la propriété.

Lire attentivement les instructions concernant l'installation, l'utilisation et l'entretien avant d'installer ou d'utiliser l'appareil.

Garder ces instructions pour une consultation future. Si vous assemblez cet appareil pour quelqu'un d'autre, lui donner le manuel pour lecture et consultation futures.

 **DANGER**

Si vous percevez une odeur de gaz :

1. Couper l'alimentation en gaz de l'appareil.
2. Éteindre toute flamme nue.
3. Si l'odeur persiste, vous éloigner de l'appareil et appeler immédiatement votre fournisseur de gaz ou le service des incendies.

 **AVERTISSEMENT**

Ne pas entreposer ou utiliser d'essence, de vapeurs ou liquides inflammables à proximité de cet appareil ou de tout autre appareil.

Une bouteille de gaz PL non connectée et non utilisée ne devrait pas être entreposée à proximité de cet appareil ou de tout autre appareil.

Pour le support technique S'il vous plaît nous contacter: 1-800-654-1704

# TABLE DES MATIÈRES

Instruction de sécurité importante	3
Avertissements et dangers du Propane (PL)	5
Remplacement et assemblage du boyau et du régulateur	7
Liste des pièces	8
Instructions pour l'assemblage	9
Instructions avant usage	14
Instructions pour l'allumage	15
Soins et entretien	16
Vérifications entourant le gaz	17
Dépannage	19
Garantie	21



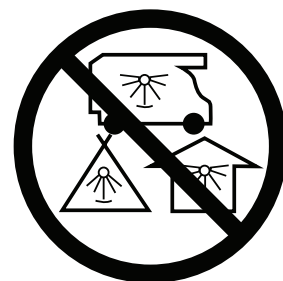
**DANGER**

## **DANGER DE MONOXYDE DE CARBONE**

Cet appareil peut produire du monoxyde de carbone, lequel est toujours inodore.

Utiliser cet appareil dans un endroit fermé peut causer la mort.

Ne jamais utiliser cet appareil dans un espace fermé comme une fourgonnette de camping, une tente, une voiture ou à l'intérieur de la maison.



# INSTRUCTION DE SÉCURITÉ IMPORTANTE



## AVERTISSEMENT

LA TABLE-FOYER EST CONÇUE EXCLUSIVEMENT POUR L'EXTÉRIEUR

### SI VOUS PERCEVEZ UNE ODEUR DE GAZ

- Couper l'alimentation en gaz de la table-foyer.
- Éteindre toute flamme nue.
- N'allumer aucun appareil.
- Ne toucher aucun interrupteur électrique; n'utiliser aucun téléphone de l'immeuble.
- Appeler immédiatement un fournisseur de gaz d'un téléphone de votre voisinage.
- Suivre les instructions de votre fournisseur de gaz.
- Si vous ne pouvez parler à votre fournisseur de gaz, appeler le service des incendies.

- **AVERTISSEMENT** La négligence à suivre les avertissements de danger et de précautions de ce manuel peut occasionner des blessures corporelles sérieuses ou la mort ou provoquer un incendie ou une explosion occasionnant des dommages à la propriété.
- **AVIS IMPORTANT** Lire et comprendre tous les avertissements et toutes les précautions avant de procéder à l'assemblage et à l'utilisation de votre table-foyer au gaz. Une installation, une mise au point, une modification ou un entretien inappropriés peuvent occasionner des blessures et des dommages à la propriété.
- **Note** L'utilisation et l'installation de ce produit doivent être conformes aux règlements en vigueur dans votre région. En l'absence de règlements, utiliser les règlements nationaux régissant l'utilisation du gaz ANSI Z21.97. Se reporter aux codes d'installation du gaz naturel et du gaz propane (CSA B149.1) et à l'entreposage et la manipulation du propane (B149.2).
- **Dégagement minimum de l'unité des matériaux combustibles**  
72" (182.9cm) du dessus; 48" (121.9 cm) de chacun des côtés et du derrière. Ne pas installer cette table-foyer sous une enceinte couverte.
- Cette table-foyer au gaz et sa soupape d'arrêt individuelle doivent être débranchées du système d'alimentation en gaz durant les tests de pression de ce système pour des tests de pressions au-delà de 1/2 psi (3.5 kPa). L'appareil doit être isolé du système d'alimentation en gaz en fermant manuellement sa soupape d'arrêt individuelle durant les tests de pression du système d'alimentation en gaz pour les tests équivalant à 1/2 psi (3.5 kPa) ou moins.
- Garder ces instructions pour une consultation future. Si vous assemblez cet appareil pour quelqu'un d'autre, lui donner le manuel pour une lecture et une consultation futures.
- Cette table-foyer au gaz est conçue pour un usage extérieur SEULEMENT, dans un endroit bien ventilé et ne doit PAS être utilisée dans un immeuble, un garage ou tout autre endroit fermé.
- NE PAS utiliser cette table-foyer extérieure pour chauffer à l'intérieur. Les vapeurs TOXIQUES de monoxyde de carbone peuvent s'accumuler et provoquer une asphyxie.
- NE JAMAIS LAISSER cette table-foyer au gaz sans surveillance lors de son usage.
- Les enfants devraient être prévenus des dangers de brûlures s'ils touchent les surfaces très chaudes et devraient être tenus à une distance sécuritaire du feu lorsque la table foyer est en usage.
- Ne pas entreposer ou utiliser d'essence, de liquides ou vapeurs inflammables à au moins 25 pieds (7,62 m) de cet appareil ou de tout autre appareil.
- Ne pas entreposer de matériaux combustibles dans l'enceinte de la base.
- L'utilisation d'alcool, de médicaments ou de drogues peut altérer les capacités d'un individu et l'empêcher de bien assembler ou d'utiliser de façon sécuritaire cette table-foyer extérieure

# INSTRUCTION DE SÉCURITÉ IMPORTANTE

- NE PAS utiliser dans un environnement où des vapeurs inflammables peuvent s'accumuler. Mettre la table-foyer dans un endroit dégagé et libre de tous matériaux combustibles, d'essence, de liquides et de vapeurs inflammables.
- Cette table-foyer extérieure ne doit PAS être utilisée par des enfants. Les jeunes enfants devraient faire l'objet d'une surveillance constante lorsqu'ils sont à proximité de la table-foyer extérieure.
- Cette table-foyer extérieure ne doit pas être installée ou utilisée dans ou sur des véhicules récréatifs et /ou sur des bateaux.
- Toujours utiliser selon les règlements locaux, nationaux ou provinciaux en vigueur. Contacter le service des incendies de votre localité pour connaître les détails concernant les feux extérieurs.
- User avec cette table-foyer extérieure, des mêmes précautions que vous le feriez avec un feu extérieur.
- NE PAS brûler de combustibles solides tels que du bois, des briquettes de charbon, du charbon de bois en blocs, des bûches manufacturées, du bois de grève, des déchets, des feuilles, du papier, du contreplaqué, du bois traité peint ou teint dans cette table-foyer extérieure.
- NE PAS utiliser cette table-foyer extérieure avant qu'elle soit complètement assemblée et que toutes les pièces soient fixées et solidifiées de façon sécuritaire.
- NE PAS entreposer un autre réservoir de gaz à moins de 10 pieds (3,05 m) de cette table-foyer extérieure lorsqu'elle est en usage.
- NE PAS utiliser cette table-foyer extérieure près des voitures, des camions, des fourgonnettes ou des véhicules récréatifs.
- NE PAS utiliser cette table-foyer extérieure sous des abris couverts ou près de constructions combustibles non protégées. Éviter l'utilisation près ou sous les arbres et les arbustes.
- Toujours utiliser cette table-foyer extérieure sur une surface dure, de niveau et non combustible comme le béton, la roche ou la pierre. L'asphalte et les revêtements hydrocarbonés ne sont pas acceptables pour cet usage.
- NE PAS utiliser cette table-foyer extérieure si des parties sont sous l'eau. Appeler immédiatement un technicien qualifié pour inspecter la table-foyer et pour remplacer toute pièce ou système de commande et toute commande de gaz qui auraient été sous l'eau.
- NE PAS porter de vêtements inflammables ou amples lors de l'utilisation de cette table-foyer extérieure.
- NE PAS utiliser par temps venteux.
- Garder les rallonges électriques éloignées d'une table-foyer extérieure qui est chaude.
- Certaines parties de cette table-foyer extérieure deviennent trop chaudes pour être touchées lors de l'utilisation. Ne pas toucher les surfaces chaudes avant que l'appareil n'ait refroidi, à moins que vous n'utilisiez un dispositif de protection comme des gants isolés pour le four ou des poignées afin d'éviter des brûlures.
- NE PAS accrocher ou placer des vêtements ou matériaux inflammables sur ou près de la table-foyer au gaz.
- Toute protection ou tout autre dispositif de sécurité enlevé lors de l'entretien courant doit être replacé avant de réutiliser la table-foyer.
- NE PAS tenter de déplacer ou d'entreposer cette table-foyer extérieure avant que toutes les pièces n'aient refroidi.
- NE PAS vous pencher au-dessus de cette table-foyer lorsque le feu est allumé ou qu'elle est en usage.
- Utiliser seulement le régulateur et le tuyau fournis avec l'appareil. Le remplacement du régulateur et du tuyau ne devrait se faire que par ceux suggérés par le fabricant.
- NE PAS tenter de déconnecter le régulateur de gaz du réservoir ou tout autre raccord de gaz lorsque l'appareil est en usage.



# INSTRUCTION DE SÉCURITÉ IMPORTANTE

- Toujours couper l'alimentation en gaz à partir de la soupape du réservoir et déconnecter le régulateur du réservoir quand la table-foyer n'est pas en usage.
- NE PAS vous asseoir sur le manteau lorsque l'appareil est en usage.
- NE PAS lancer d'objets sur le feu lorsque l'appareil est en usage.
- Les pierres de lave sont très chaudes; tenir les enfants et les animaux domestiques à une distance sécuritaire.
- Il est très important de garder le compartiment à soupape de la table-foyer extérieure, ses brûleurs et les passages de circulation d'air toujours propres. Inspecter votre table-foyer extérieure avant chaque usage.
- Avant chaque utilisation, vérifier le tuyau à l'affût d'abrasion excessive, d'usure en regardant à travers le trou d'inspection visuelle. Si le tuyau est endommagé, fissuré ou coupé, il doit être remplacé avant d'utiliser la table-foyer au gaz. L'ensemble de tuyaux ne peut être remplacé que par un ensemble recommandé par le fabricant. Contacter Real Flame au 1 800-654-1704.
- Avant chaque usage, retirer les pierres de lave. Examiner le brûleur et ses composantes. S'il y a des saletés, nettoyer avec une brosse douce et une solution d'eau savonneuse. Examiner ce qui entoure le brûleur, toutes saletés ou tous matériaux étrangers tels que des nids ou des toiles d'araignée devraient être enlevés. S'il y a évidence de dommage au brûleur, la table foyer ne devrait pas être utilisée. L'ensemble du brûleur ne peut être remplacé. Contacter Real Flame au 1 800-654-1704 pour un soutien technique.
- Garder le tuyau hors de la circulation afin que personne ne trébuche sur celui-ci. Ne pas placer le tuyau dans un endroit où il pourrait subir des dommages accidentels.

## AVERTISSEMENT

Cette table de feu externe ne doit être utilisée qu'avec du gaz de pétrole liquéfié (LP). La conversion en Gaz Naturel (NG) doit être faite avec le kit de conversion Real Flame approuvé et doit être effectuée par un professionnel du gaz. Ne pas le faire peut entraîner des dommages matériels, des blessures ou la mort.

ATTENTION : Toute modification de la table-foyer extérieure qui n'est pas directement spécifiée dans le manuel d'instructions annulera la garantie du fabricant.

## AVERTISSEMENTS CONCERNANT LE GAZ PL

### GAZ PL

Le gaz PL est inflammable et dangereux s'il est manipulé de façon inappropriée. Soyez conscient de ses caractéristiques avant d'utiliser tout produit au gaz PL.

### Caractéristiques du propane

- Inflammable, explosif sous pression, plus lourd que l'air, et s'accumule en basse surface.
- À son état naturel, le propane n'a pas d'odeur. Pour votre sécurité, un agent odorant y a été ajouté.
- Le contact avec le propane peut brûler votre peau.
- Le propane est extrêmement inflammable et dangereux s'il est manipulé de façon inappropriée.

### AVERTISSEMENTS CONCERNANT LE GAZ PL

- Les bouteilles doivent être entreposées à l'extérieur dans un endroit bien ventilé et hors de portée des enfants.
- Les bouteilles déconnectées doivent avoir une soupape fileté et hermétiquement installée et ne devraient pas être entreposées dans une résidence, un garage ou tout autre endroit fermé.
- Ne jamais utiliser une bouteille de propane avec une soupape, un collet, une surface ou un socle endommagés.

# AVERTISSEMENTS CONCERNANT LE GAZ PL

- Les bouteilles de propane bosselées ou rouillées peuvent être dangereuses et devraient être vérifiées par votre fournisseur de gaz propane.
- Vous assurer d'utiliser, avec votre appareil, uniquement une bouteille de gaz PL de 20 lb (9,1 kg) avec une valve de Type 1 tel que requis par l'American National Standards Institute (ANSI) et par le Canadian Standards Steering Committee.
- Seulement les réservoirs marqués « propane » peuvent être utilisés.
- Le réservoir d'alimentation de gaz PL doit être construit et marqué en conformité aux spécifications pour le gaz PL, des réservoirs de gaz PL du U.S. Department of Transportation (DOT) ou du National Standard of Canada, CAN/CSA-B339, LP gas tanks, Spheres and Tubes for the Transportation of Dangerous Goods; and Commission.
- Le réservoir de gaz PL doit être muni d'une sortie de vapeur.
- Le réservoir de gaz PL doit être muni d'un dispositif de trop-plein (OPD) enregistré et d'un QCCI ou d'un raccord de réservoir pour gaz PL de Type 1 (CGA810).
- Le réservoir de gaz PL doit être muni d'un collier d'évent pour protéger la soupape du réservoir.
- La bouteille de gaz PL doit être munie d'une soupape d'arrêt tel qu'il est spécifié dans le Standard for Compressed Gas Cylinder Valve Outlet and Inlet Connection, ANSI/CGA-V-1-1977, CSA B96.
- Ne jamais utiliser un réservoir de gaz PL avec une soupape, un collet, une surface ou un socle endommagés. Les réservoirs de propane bosselés ou rouillés peuvent être dangereux et devraient être vérifiés par votre fournisseur de gaz propane avant d'être utilisés.
- Les réservoirs de gaz PL ne devraient pas faire l'objet de chute ou être soumis à des chocs brusques.
- Les réservoirs doivent être entreposés à l'extérieur hors de la portée des enfants. Ne PAS entreposer dans un immeuble, un garage ou tout autre endroit fermé.
- Ne jamais entreposer votre réservoir de gaz PL où la température peut atteindre au-delà de 125 °F (51,67 °C).
- Ne pas entreposer une bouteille de gaz PL au soleil direct ou près d'une source de chaleur ou de combustion.
- Ne jamais garder un réservoir plein de gaz PL dans une voiture exposée à la chaleur ou dans le coffre d'une voiture. La chaleur fera augmenter la pression du gaz qui pourrait ouvrir la soupape de surpression et laisser le gaz s'échapper.
- Mettre un bouchon protecteur sur le conduit d'évacuation quand le réservoir de gaz PL n'est pas en usage. Installer seulement le type de bouchon protecteur sur le conduit d'évacuation du réservoir de gaz PL qui est fourni avec la soupape du réservoir à gaz PL. Les autres types de bouchons ou de capuchons peuvent occasionner des fuites de propane.
  - a. Ne pas entreposer une bouteille de gaz PL de rechange sous ou près de l'appareil.
  - b. Ne jamais remplir une bouteille de gaz PL au-delà de 80 %.
  - c. Si les informations contenues dans a. et b. ne sont pas suivies scrupuleusement, cette négligence peut occasionner un incendie causant la mort ou des blessures sérieuses.
- Les bouteilles de gaz PL ne devraient être remplies que par un fournisseur de gaz PL accrédité.
- Le régulateur de pression est réglé à 11 pouces (27,94 cm) de colonne d'eau (pression).
- Le maximum de pression de gaz pour cette table-foyer extérieure est de 14 pouces (35,56 cm) de colonne d'eau (pression).
- Ne jamais tenter de fixer cet appareil au système autonome de gaz PL d'une fourgonnette de camping, d'une autocaravane ou d'une maison.
- Toujours utiliser l'assemblage de régulateur de pression et de tuyau inclus avec l'appareil pour raccorder la bouteille de gaz PL. Ne jamais connecter à une alimentation en gaz PL non conforme. Pour une assistance technique, contacter Real Flame au 1 800-654-1704.
- Tourner à la main la soupape de contrôle du gaz. Ne jamais utiliser d'outils. Si la soupape ne tourne pas à la main, ne pas tenter de la réparer. Contacter un technicien de gaz accrédité. L'usage de la force ou toute autre tentative de réparation par vous-même peuvent produire un incendie ou une explosion.

# AVERTISSEMENTS CONCERNANT LE GAZ PL

## Brancher votre bouteille de gaz

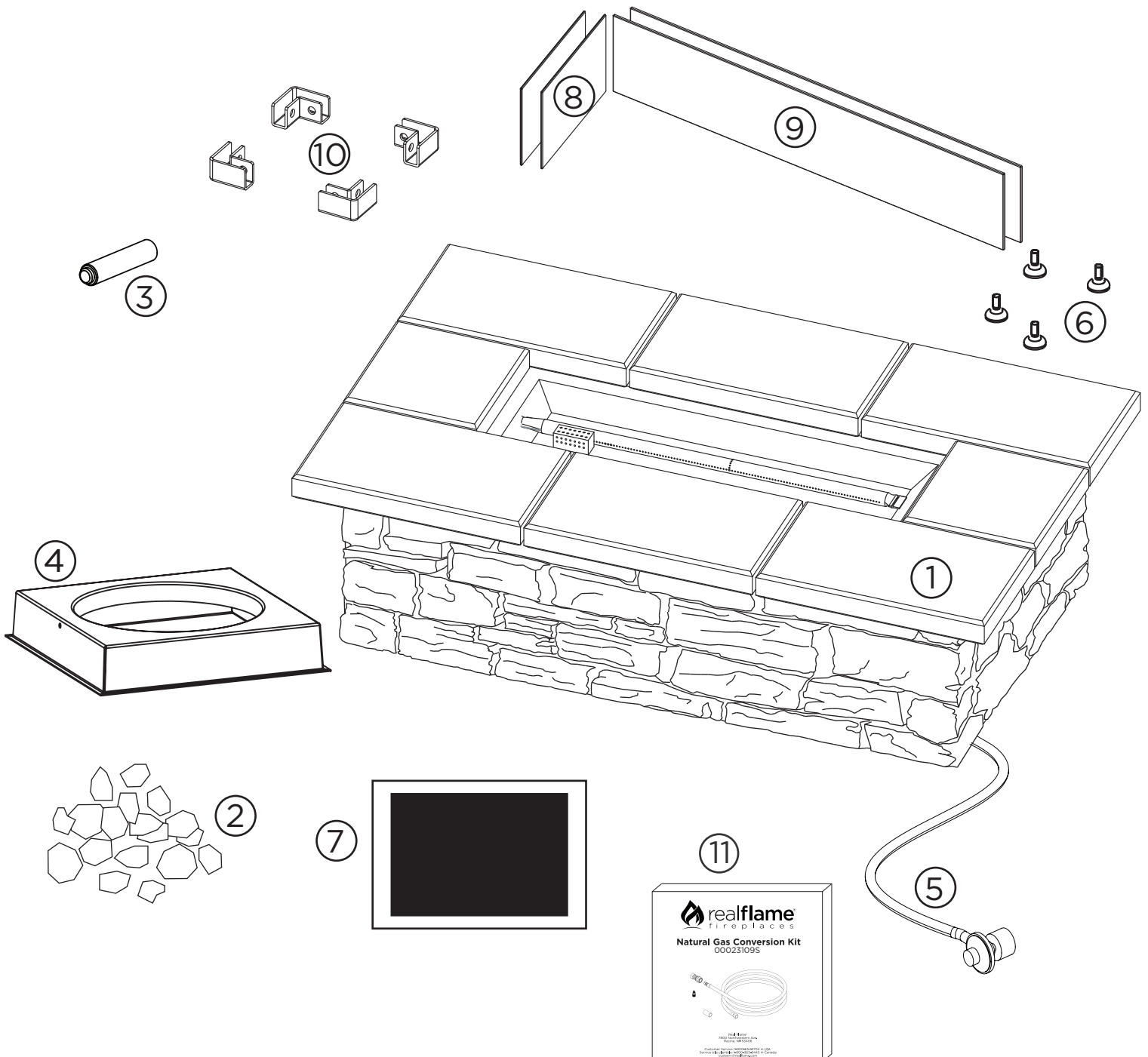
Avant de brancher la bouteille, vous assurer de l'absence de débris dans la tête de la bouteille de gaz, dans la tête de la soupape de régulation ou dans la tête du brûleur ou sur les orifices du brûleur. Brancher la soupape de régulation et serrer fermement à la main. Débrancher la bouteille de propane de la soupape de régulation quand la table-foyer n'est pas en usage. NE PAS obstruer la circulation de la combustion de l'air et de la ventilation autour du brûleur.

## REPLACEMENT ET ASSEMBLAGE DU TUYAU ET DU RÉGULATEUR

1. Ce foyer est équipé d'un tuyau et d'un régulateur de gaz PL standard incluant le raccord latéral de l'appareil pour un dispositif de raccord de bouteille CGA No 791. Vous devez utiliser le tuyau et le régulateur de gaz PL inclus avec la table-foyer. Seuls un tuyau et un régulateur recommandés peuvent être utilisés comme remplacement.
  - a. Le raccord CGA No 791 renferme un dispositif de limitation électromagnétique qui agit en limitant le débit de gaz si une fuite est détectée entre le régulateur et la soupape du brûleur.
  - b. Si la soupape du brûleur est ouverte avant le clapet de service de la bouteille de gaz PL, le raccord interprètera ce débit libre de gaz comme une fuite.
  - c. L'objectif du raccord de sécurité est de réduire le débit de gaz du régulateur vers l'appareil à un niveau minimal.
  - d. Vous assurer que la soupape de contrôle du brûleur est fermée avant d'ouvrir le clapet de service de la bouteille de gaz PL ce qui empêchera le déclenchement accidentel du dispositif de limitation de débit.
  - e. Si le raccord du dispositif de limitation de débit est déclenché accidentellement, fermer le clapet de service de la bouteille de gaz PL et la soupape du brûleur, attendre 10 secondes pour permettre au dispositif de redémarrer, ouvrir le clapet de service de la bouteille, ensuite ouvrir la soupape du brûleur et allumer le foyer selon les instructions d'allumage.
2. Vous assurer de protéger le tuyau de toutes surfaces chaudes. Il est très dangereux de mettre le tuyau en contact avec des surfaces chaudes.
3. Entretien régulier du tuyau et du régulateur:
  - a. Inspecter le tuyau avant chaque utilisation de la table-foyer. Si le tuyau montre des signes d'abrasion, de craquelures, de fissures ou de dommages de quelques sortes, ne pas utiliser l'appareil. Pour toute assistance concernant la réparation ou le remplacement du tuyau, contacter Real Flame au 1 800-654-1704. Utiliser uniquement les pièces de remplacement proposées par le fabricant.
  - b. Inspecter le sceau à l'intérieur du clapet de service CGA No 791 de la bouteille de gaz PL lors du remplacement ou au moins une fois par année. S'il y a évidence de dommage, faire remplacer le sceau par un fournisseur de gaz accrédité avant d'utiliser l'appareil.
4. Ne pas utiliser d'outil pour resserrer l'écrou de raccord du CGA No 791 sur le clapet de service de la bouteille de gaz PL. Resserrer à la main seulement.
5. Vous assurer de ne pas croiser les fils sur le raccord en resserrant le raccord CGA No 791 sur le clapet de service de la bouteille de gaz PL.
6. Des « essais d'étanchéité » devraient toujours être faits après avoir fixé le raccord au clapet de service de la bouteille gaz PL. (voir la partie « Vérification des fuites » de ce manuel à la page 10).
7. Pour ce qui concerne le raccord du tuyau et du régulateur au réservoir PL, vous reporter à la partie ci-haut « Raccord » traitant de la bouteille de gaz PL.

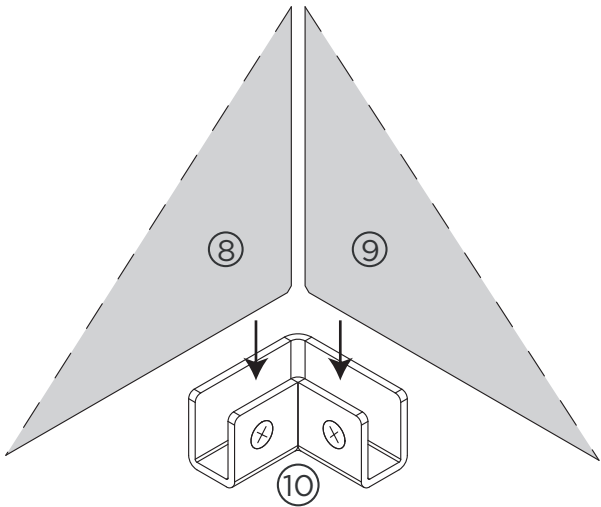
# LISTE DES PIÈCES

①	Table-foyer	N/A	1	⑥	Pieds	06000003	4
②	Pierre de lave	118137100	1	⑦	Couvercle de protection	118120007	1
③	La batterie	N/A	1	⑧	verre court	118120008	2
④	Assise du réservoir	100260000	1	⑨	verre longue	118120009	2
⑤	Régulateur et tuyau du gaz PL	100190000	1	⑩	Kit de matériel de verre	118020007	4
				⑪	Kit de conversion NG	00023109S	1

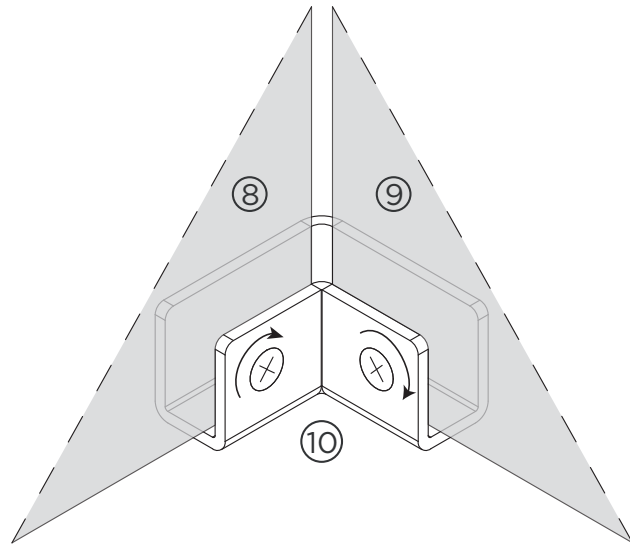


# INSTRUCTIONS D'ASSEMBLAGE

Insérer les plaques de verre ( 8 & 9 ) dans les supports d'angle ( 10 ).

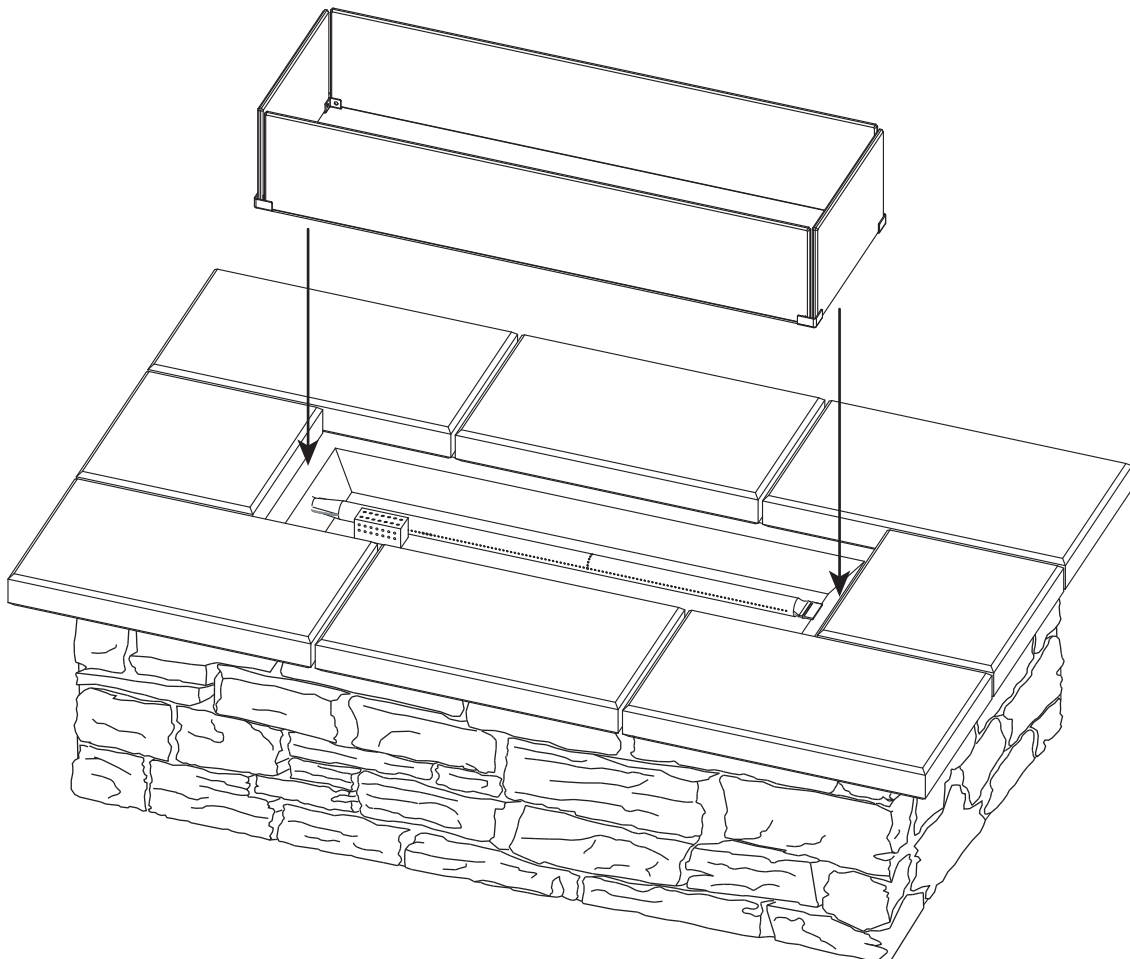


Fixer le verre en place en serrant les vis avec un tournevis. Ne pas serrer les vis.



# 1

Placez le verre assemblé sur le rebord autour du brûleur.

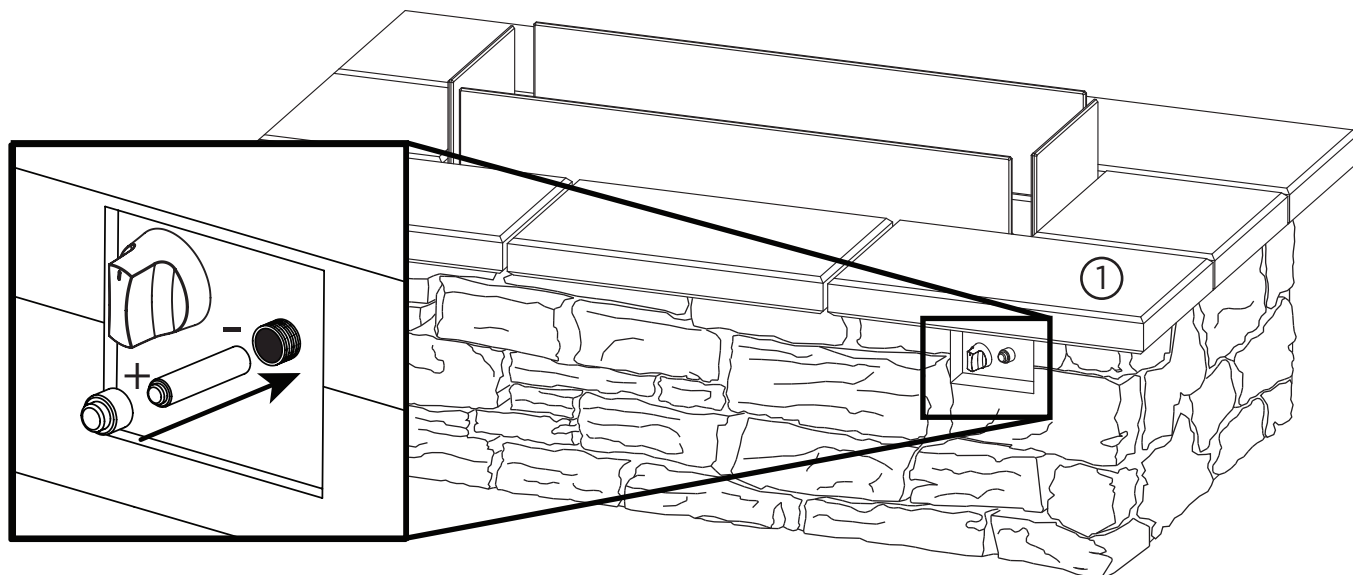


# 2

# ASSEMBLY INSTRUCTIONS

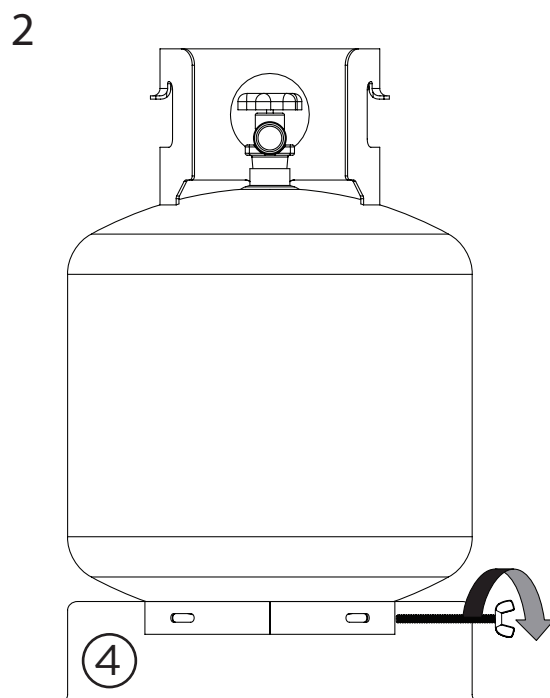
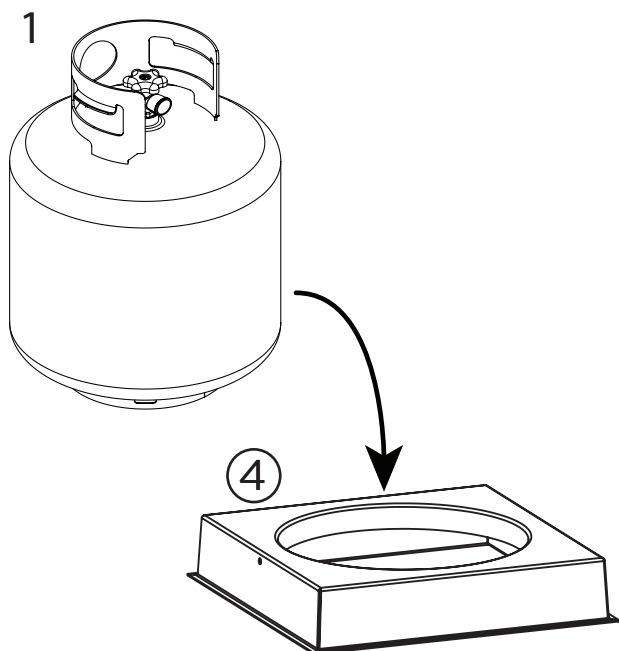
## 3

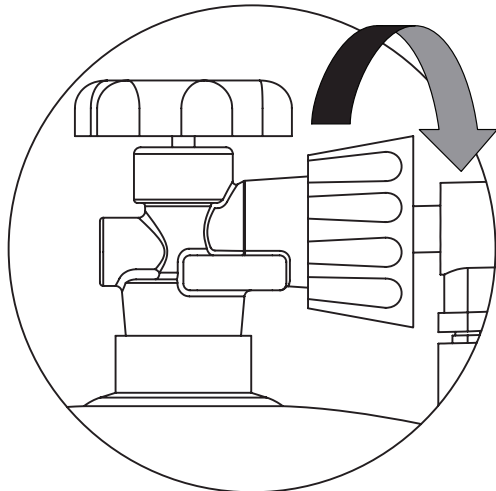
Installer la pile AAA (voir le diagramme ici-bas).



## 4

1. Mettre l'assise du réservoir sur le sol et placer un réservoir de propane de 20 lb (9,07 kg) dans l'assise du réservoir.
2. Resserrer la vis sur le côté de l'assise du réservoir pour bien fixer le réservoir de propane.

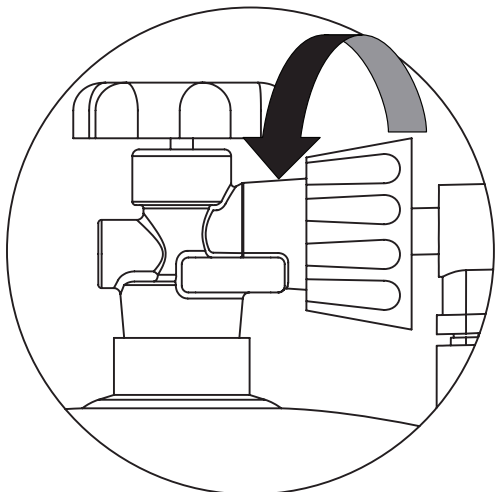




## Raccord du réservoir de gaz PL

Vous assurer de l'absence de débris dans la tête du réservoir ou dans la tête de la soupape de régulation. Bien vérifier le brûleur ainsi que les orifices du brûleur.

Raccorder la conduite de gaz au réservoir en tournant le bouton dans le sens des aiguilles d'une montre. Resserrer à la main seulement.



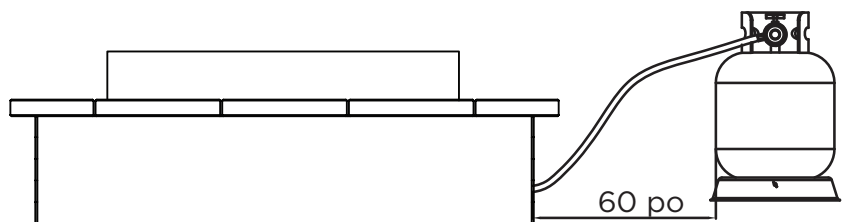
## Raccord du réservoir de gaz PL

Vous assurer que la soupape sur le réservoir de gaz PL est FERMÉE.

Débrancher en tournant le bouton dans le sens contraire des aiguilles d'une montre jusqu'à ce qu'il se détache de la soupape.

## ! AVERTISSEMENT

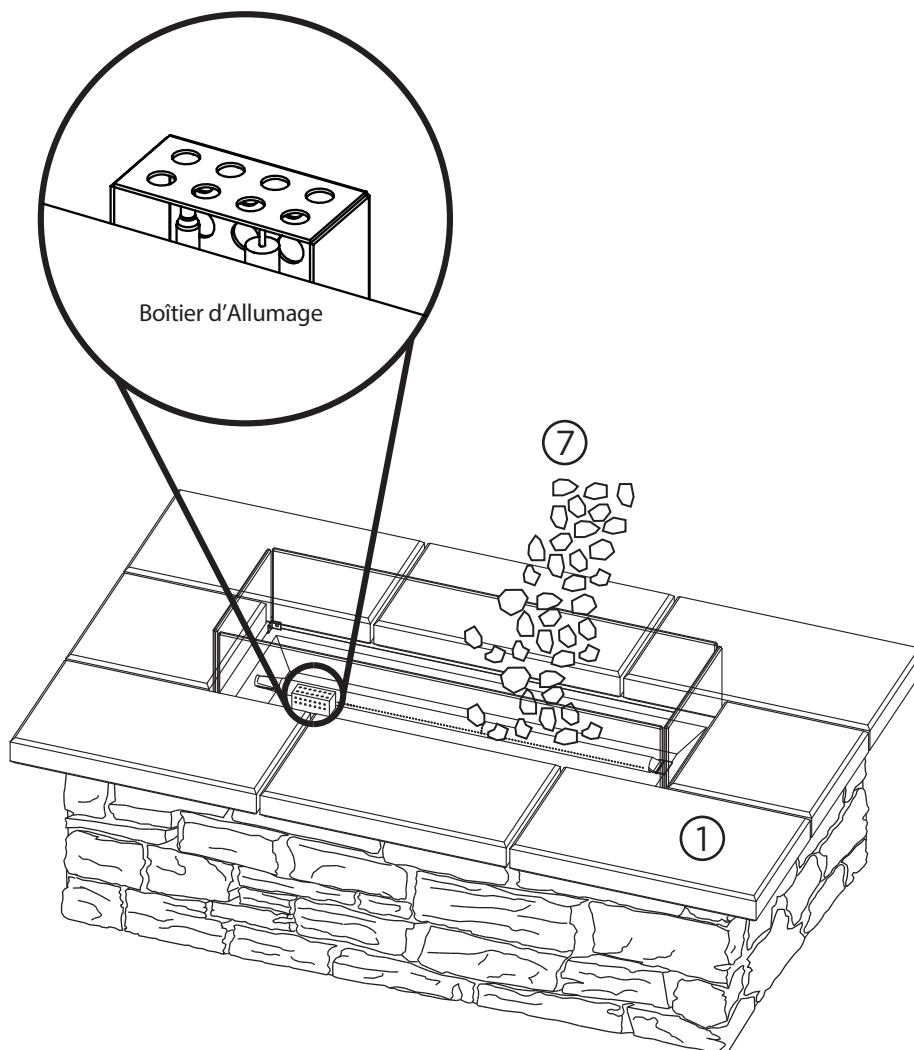
Table de feu et la bouteille de gaz propane minimum. La distance doit être supérieure à 60 pouces. (152 cm)



# INSTRUCTIONS D'ASSEMBLAGE

## 6

Étendre la pierre de lave à la main. NE PAS vider le sac sur la grille afin d'éviter de boucher le brûleur avec de la poussière. Mettre la pierre de lave jusqu'à 1 pouce (2,54 cm) au-dessus de la partie supérieure du brûleur. Vous assurer de ne pas bloquer la boîte d'allumage avec la pierre de lave afin d'avoir un bon allumage.



### NOTE

Des matériaux de remplissage supplémentaires tels que le verre ou la pierre ponce peuvent être achetés via Real Flame. Contactez Real Flame pour connaître les prix et les options.

### Roche de lave et alerte de rechange:

1. Ne remplissez pas trop la zone du brûleur avec de la roche ou du verre d'obturation. La profondeur de la garniture ne doit pas être supérieure à un pouce au-dessus du tube du brûleur. Seuls les produits du remplisseur de Real Flame ont été certifiés et testés par la CSA pour une utilisation sûre avec cette table de feu à flamme réelle; N'utilisez pas d'autres matériaux de remplissage.
2. Ne pas allumer ou utiliser cette table de feu si le remplisseur est mouillé. Assurez-vous que le remplisseur est complètement sec avant l'allumage. Une chaleur intense peut provoquer l'explosion du remplisseur humide et blesser quelqu'un.
3. Veuillez garder à l'écart de la table de feu pendant au moins 20 minutes lors de la mise en marche initiale, car la charge peut retenir un peu d'humidité de la fabrication et de l'expédition.



# INSTRUCTIONS AVANT USAGE



**AVERTISSEMENT** Avant d'utiliser la table-foyer extérieure, vous assurer d'avoir lu, compris et suivi toutes les informations fournies dans la partie « Importante information de sécurité » de ce manuel. La négligence à suivre ces instructions peut occasionner des blessures sérieuses, des dommages à la propriété et même la mort.

Avant chaque utilisation du foyer au gaz, vérifier le tuyau et la soupape par l'ouverture d'inspection visuelle sur le côté de la base afin de détecter une abrasion ou une usure excessive.

## RACCORDS DU BRÛLEUR

Vous assurer que les raccords de la soupape de régulation et du tuyau sont fixés de façon sécuritaire au brûleur et au réservoir. Si l'appareil a été assemblé par quelqu'un d'autre que vous, vérifier visuellement le raccord entre le tuyau du brûleur et l'orifice. Vous assurer que le tuyau du brûleur s'ajuste parfaitement par-dessus l'orifice.



**AVERTISSEMENT** La négligence à inspecter ce raccord ou à suivre ces instructions peut occasionner un incendie ou une explosion causant des blessures sérieuses et même la mort.

Veillez vous reporter au diagramme pour une bonne installation. Si le tuyau du brûleur ne s'ajuste pas parfaitement à l'orifice, contacter le service à la clientèle de Real Flame 1 800-654-1704 pour assistance.

## VÉRIFICATION DES FUITES

Faire une solution pour détection de fuite en mélangeant 1 partie de savon à vaisselle à 3 parties d'eau dans un flacon de pulvérisation.

Vous assurer que le bouton de contrôle est en position « OFF ». Ensuite, tourner la soupape du réservoir à gaz PL en position « ON ».

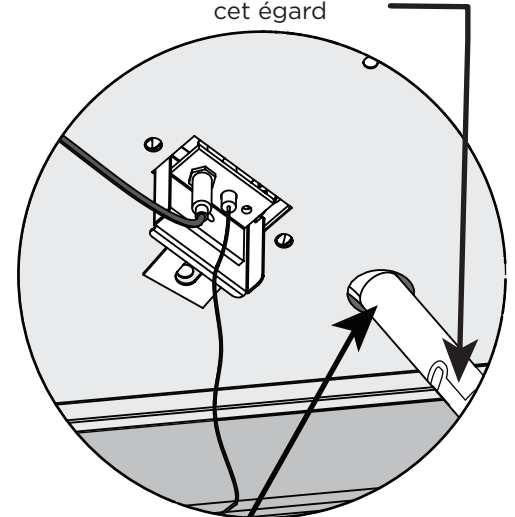
Vaporiser la solution de détection de fuite sur les raccords de la soupape en portant une attention particulière aux endroits marqués par des flèches.

Si des bulles apparaissent, REFERMER le réservoir de gaz PL, raccorder de nouveau et refaire le test. Si vous voyez toujours des bulles après plusieurs tentatives, débrancher l'alimentation en gaz PL et contacter Real Flame au 1 800-654-1704 pour assistance.

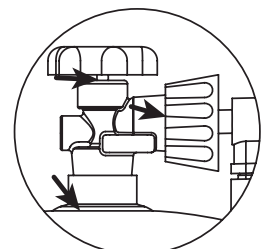
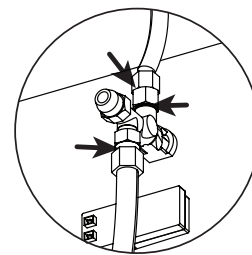
Si aucune bulle n'apparaît après une minute, REFERMER le réservoir, essuyer la solution savonneuse et poursuivre la mise en marche.

Retirer le couvercle pour inspecter

Orifice est situé à cet égard



Tuyau du brûleur

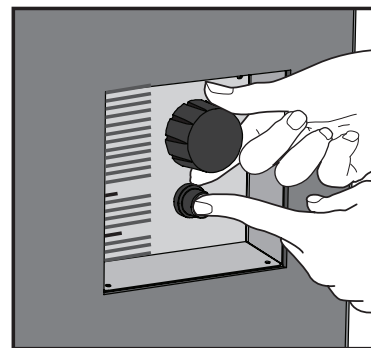


Vérifier les fuites à ces endroits précis

# INSTRUCTIONS D'ALLUMAGE

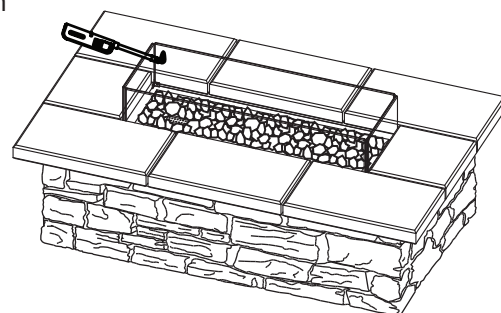
## Utilisant l'allumeur

1. Lire et comprendre toutes les instructions de la mise en marche avant l'allumage. Vous assurer que toutes les pellicules protectrices ont été enlevées autour du plateau du brûleur en inox avant l'allumage.
2. Le bouton de contrôle du brûleur doit être en position « OFF ».
3. Raccorder la bouteille de propane (PL) (voir les pages précédentes).
4. Ouvrir lentement la soupape de la bouteille de gaz PL.
5. Pousser et retenir le bouton d'allumage pour produire des étincelles.
6. Tout en tenant le bouton d'allumage d'une main, avec l'autre main, pousser et tourner le bouton de contrôle en position « LIGHT » pour allumer le brûleur.
7. Continuer la pression sur le bouton de contrôle du brûleur durant 15 à 30 secondes après l'ignition.
8. Si l'allumage ne se produit pas après 30 secondes, mettre le bouton de contrôle en position « OFF » et fermer complètement la source d'alimentation en gaz, attendre 5 minutes pour que les vapeurs de gaz se soient évaporées et répéter la procédure d'allumage.
9. Après l'allumage, tourner le bouton de contrôle du brûleur dans le sens contraire des aiguilles d'une montre à la position « LOW ». Observer la flamme, vous assurer que tous les orifices du brûleur sont allumés. La hauteur des flammes ne devrait pas dépasser 13 pouces (33,02 cm).
10. Ajuster la flamme à la hauteur désirée en vous servant du bouton de contrôle.



## Utilisation d'une longue allumette ou d'un briquet

1. Avant l'allumage, avec une pelle, déplacer les pierres de lave pour avoir accès au brûleur.
2. Avec des gants de protection, mettre la longue allumette ou le briquet au butane à côté du brûleur. NE PAS vous pencher au dessus de la table-foyer lors de l'allumage.
3. Tourner le bouton de contrôle dans le sens contraire des aiguilles d'une montre à « LIGHT »
4. Retirer la longue allumette ou le briquet à manche allongé.
5. Après l'allumage, en portant des gants de protection, utiliser une pelle pour replacer doucement les pierres de lave à leur position initiale et replacer le panneau de verre.
6. Après l'allumage, tourner le bouton de contrôle du brûleur dans le sens contraire des aiguilles d'une montre à la position « LOW ». Observer la flamme, vous assurer que tous les orifices du brûleur sont allumés. La hauteur de la flamme ne devrait pas dépasser 13 pouces (33,02 cm).
7. Ajuster la flamme à la hauteur désirée en vous servant du bouton de contrôle.



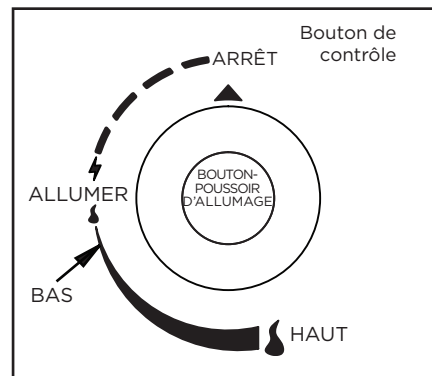
### **AVERTISSEMENT**

En allumant votre table-foyer selon cette méthode, vous devez utiliser des gants de protection résistants à la chaleur et suivre les instructions étape par étape. La négligence pourrait conduire à des blessures sérieuses.

### **AVERTISSEMENT**

Si la flamme du brûleur s'éteint durant cette procédure, mettre immédiatement le bouton de contrôle en position « OFF » et laisser les vapeurs de gaz s'évaporer pendant au moins 5 minutes avant de tenter de rallumer la table-foyer.

**Pour du soutien additionnel, vous reporter aux pages traitant du dépannage à la page 18.**



# ENTRETIEN ET NETTOYAGE

## Inspection

Cette table-foyer extérieure doit être inspectée régulièrement pour vous assurer de sa sécurité et pour prolonger sa durée de vie.



### **AVERTISSEMENT**

NE PAS faire l'inspection de ce foyer extérieur avant qu'il ne soit COMPLÈTEMENT éteint.

1. Vérifier le brûleur en vous assurant qu'il est en place de façon sécuritaire.
2. Vérifier le tube de venturi (diffuseur) en vous assurant qu'il est libre d'insectes, de nids d'araignée ou d'autres débris.
3. Vérifier tous les raccords de gaz en portant attention aux fuites.
4. Vérifier le système d'allumage en vous assurant de la production d'étincelles.
5. Vérifier toutes les composantes, vous assurant de la présence d'aucune usure excessive, d'aucun dommage ou de rouille.
6. Si vous observez des dommages, NE PAS utiliser jusqu'à ce que les réparations soient effectuées.



### **AVERTISSEMENT**

NE PAS altérer ou modifier cet appareil. Cela serait très DANGEREUX et annulerait la garantie. Toute pièce qui doit être changée doit être remplacée par une pièce approuvée et confirmée par le fabricant. Pour l'assistance technique, contacter Real Flame au 1 800-654-1704.

## Soin et entretien d'usage

Ce foyer pour l'extérieur devrait être nettoyé régulièrement pour vous assurer de sa sécurité et pour prolonger sa durée de vie.

Note : Après une utilisation répétée, une légère décoloration du fini peut survenir.

### Table

1. Essuyer les surfaces externes avec un chiffon imbibé d'eau savonneuse ou du bicarbonate de soude et rincer avec une eau propre.

### Acier inoxydable

1. Pour l'entretien régulier, utiliser une eau tiède et du savon ou un détergent avec un chiffon doux ou une éponge.
2. Pour les traces de doigt ou les saletés, utiliser le Nettoyant et Poli à inox 3M. Il fournira une barrière protectrice qui minimisera les traces de doigt.\*
3. Pour les taches tenaces et la décoloration, utiliser le Nettoyant et Poli à inox 3M avec un chiffon doux dans le sens des lignes du fini.\*

\*L'utilisation des noms de propriété est destinée seulement à nommer un type de nettoyant et ne constitue pas un endossement. L'omission d'autres noms de propriété de nettoyants ne signifie pas que ces produits ne soient pas adéquats. Tout produit doit être utilisé selon les recommandations inscrites sur le produit.

## Stockage



### **AVERTISSEMENT**

NE PAS déplacer ou entreposer cette table-foyer tant que le feu ne soit COMPLÈTEMENT éteint et que la table soit froide au toucher.

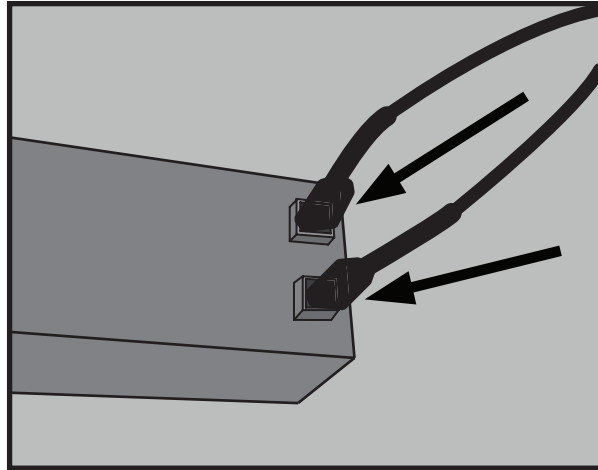
1. FERMER l'alimentation en gaz à partir du raccord du réservoir. Retirer le réservoir et l'entreposer dans un endroit frais et sec à l'extérieur et hors de portée des enfants.
2. Retirer doucement les pierres et entreposer les composantes à plat pour les protéger de tout bris.
3. TOUJOURS couvrir votre table-foyer extérieure avec la housse protectrice fournie avec l'appareil quand il n'est pas en usage.
4. Entreposer dans un endroit frais et sec hors de portée des enfants et des animaux domestiques.

# VÉRIFICATION DES COMPOSANTES DU RACCORD EN GAZ

Si le brûleur ne s'allume pas ou ne reste pas allumé, procédez aux vérifications suivantes.

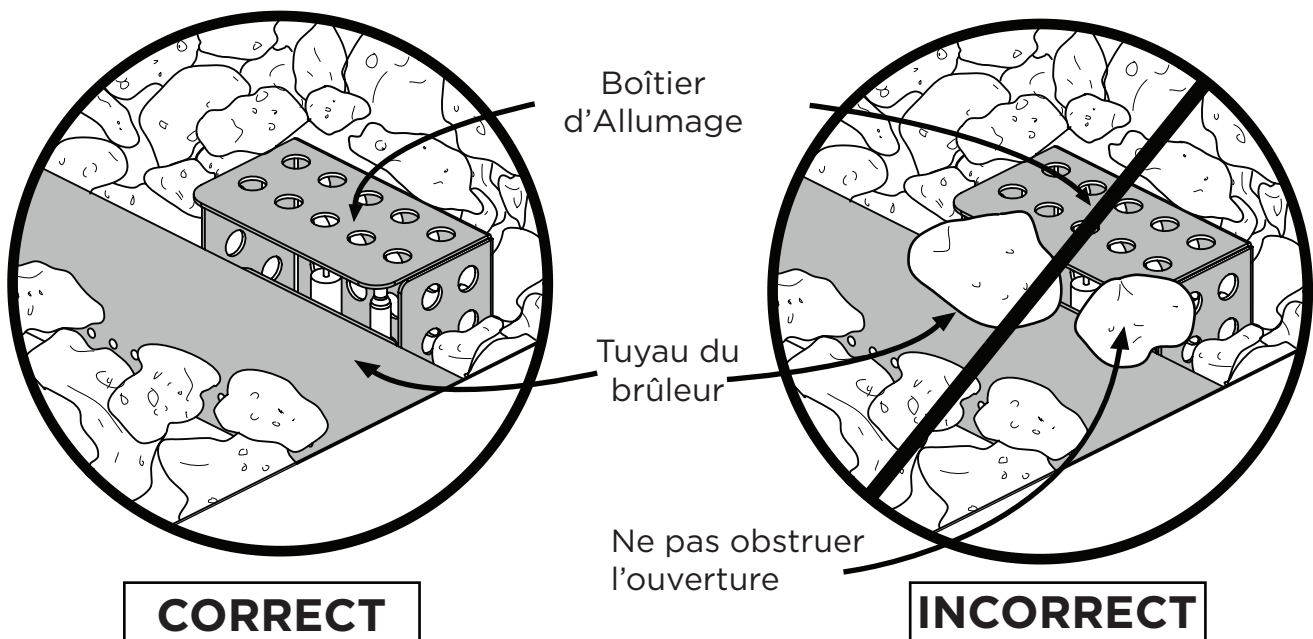
1. Vous assurer que le fil de l'électrode est correctement branché.

Les deux fils de l'électrode doivent être complètement insérés dans la boîte d'allumage.

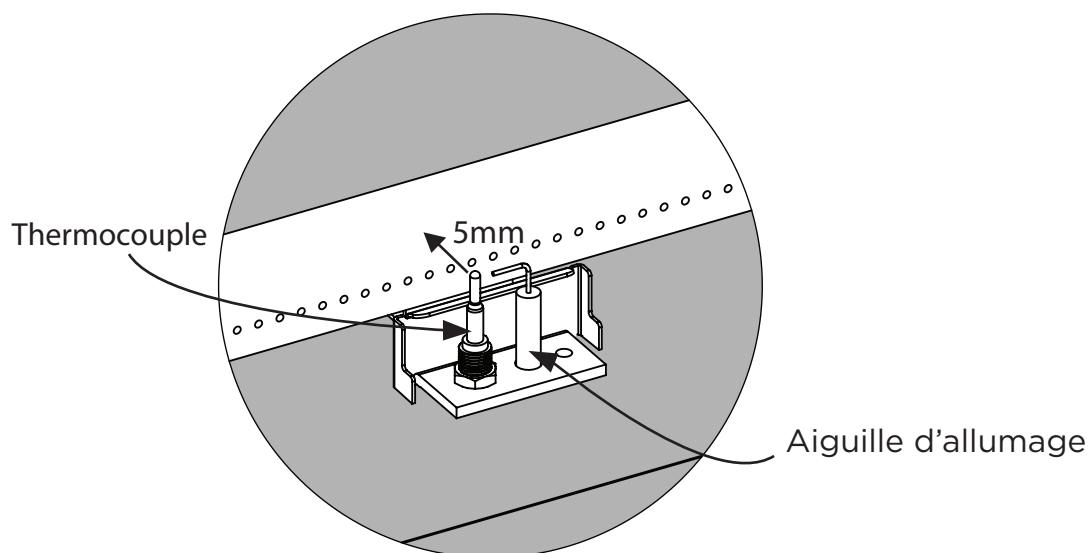


2. Vous assurer que le boîtier d'Allumage n'est pas obstrué.

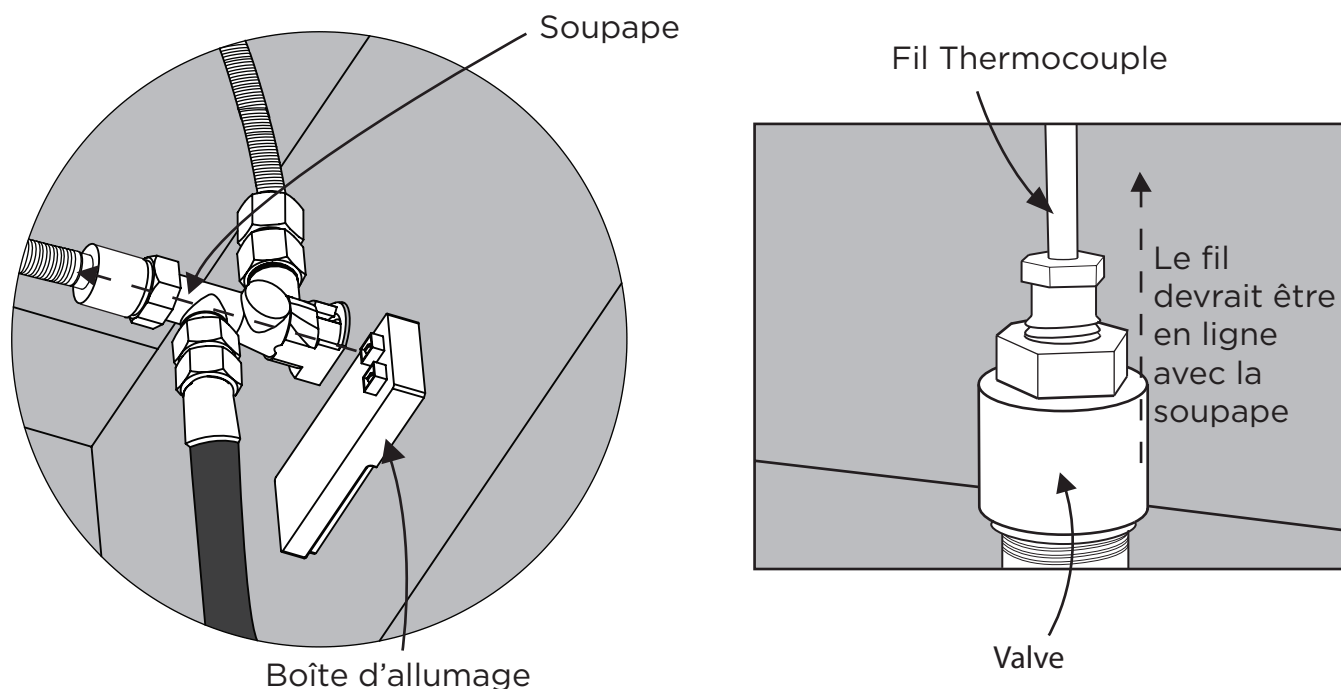
Enlever tous les débris sur le dessus du boîtier d'Allumage et vous assurer qu'il n'y a aucun débris entre l'aiguille d'allumage, le thermocouple et le tuyau du brûleur.



# VÉRIFICATION DES COMPOSANTES DU RACCORD EN GAZ



3. Vous assurer que l'aiguille d'allumage et le thermocouple sont correctement positionnés.
- L'aiguille d'allumage devrait pointer directement vers le thermocouple.
  - Le thermocouple devrait se situer à 5 mm de distance du tuyau du brûleur.



4. Assurez-vous que le fil du thermocouple est correctement positionné. Le fil de thermocouple devrait être en ligne avec la valve.

# DÉPANNAGE

## Problème: Le brûleur ne s'allume pas en utilisant l'allumeur

### Cause possible 1: L'électrode et les brûleurs sont humides.

- Essuyer avec un linge sec.

### Cause possible 2: La pile de l'allumeur est morte ou à l'envers.

- Vérifier si la pile AAA est insérée correctement dans l'allumeur (voir page 10) ou remplacer la pile.

### Cause possible 3: L'aiguille d'allumage est fissurée ou brisée - étincelles à la fissure.

- Contacter Real Flame au 1 800-654-1704 pour du soutien technique.

### Cause possible 4: Fil lâche ou débranché.

- Voir page 16, étape 1, rebrancher le fil. Contacter Real Flame au 1-800-654-1704.

### Cause possible 5: Le fil est en court-circuit (formation d'étincelles) entre l'allumeur et l'électrode.

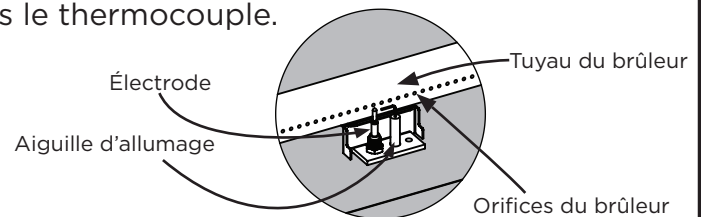
- Call Real Flame at 1-800-654-1704 for support.

### Cause possible 6: L'aiguille de l'allumeur n'est pas pointée vers le thermocouple.

- Voir page 17, tourner l'électrode afin qu'il pointe vers le thermocouple.

### Cause possible 7: Allumeur défectueux.

- Contacter Real Flame au 1 800-654-1704 pour du soutien technique.



## Problème: Le brûleur ne s'allume pas avec une allumette

### Cause possible 1: Le gaz ne circule pas.

- Vérifier si le réservoir de gaz PL est vide. S'il est vide, remplacer ou faire remplir le réservoir. Si le réservoir de propane n'est pas vide, vous reporter au « Problème : Baisse soudaine de la circulation du gaz » à la page suivante.

### Cause possible 2: L'écrou de raccord et le régulateur ne sont pas bien raccordés.

- Tourner l'écrou de raccord d'un demi à trois quarts de tour jusqu'à ce que vous ressentiez un arrêt ferme. Ne pas utiliser d'outil, serrer à la main seulement.

### Cause possible 3: Il y a obstruction de la circulation du gaz.

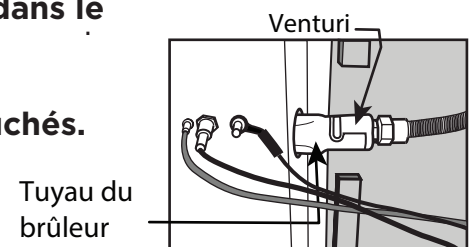
- Vérifier que le tuyau n'est pas plié ou tordu.

### Cause possible 4: Des toiles d'araignée ou des nids d'insecte dans le tube de venturi (diffuseur).

- Nettoyer le tube de venturi (diffuseur).

### Cause possible 5: Les orifices du brûleur sont obstrués ou bouchés.

- Vous reporter à « Problème : Forme de flamme irrégulière » à la page suivante. Nettoyer les orifices du brûleur comme il y est mentionné.



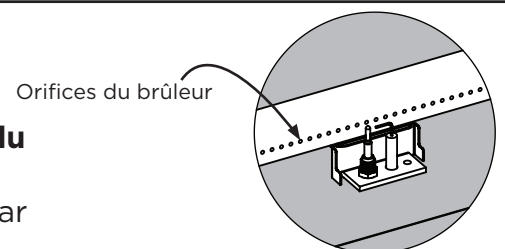
## Problème: La table-foyer émet beaucoup de fumée noire lors de son utilisation

### Cause possible 1: Le tuyau du foyer au gaz est pincé.

- Vous assurer que le tuyau n'est pas pincé entre la table-foyer et la source du gaz.

### Cause possible 2: Il y a obstruction de la flamme aux orifices du brûleur.

- Vous assurer que les orifices du brûleur ne sont pas bloqués par les pierres de lave et que la flamme peut bouger naturellement.



# DÉPANNAGE

## Problème: Chute soudaine de la circulation du gaz ou diminution de la hauteur de la flamme

### Cause possible 1: Manque de gaz.

- Contacter votre fournisseur de gaz.

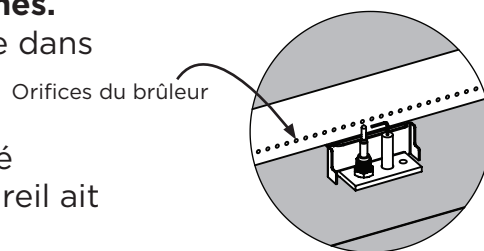
### Cause possible 2: Le dispositif d'écoulement sécuritaire maximal a été activé.

- Mettre le bouton de contrôle en position « OFF », attendre 30 secondes et allumer le foyer extérieur. Si les flammes sont toujours trop basses, réinitialiser le dispositif d'écoulement sécuritaire maximal en refermant le bouton de contrôle et la soupape du réservoir à gaz PL. Débrancher le régulateur. Mettre le bouton de contrôle du brûleur en position « High ». Attendre 1 minute. Refermer le bouton de contrôle du brûleur. Rebrancher le régulateur et procéder à une vérification de fuite autour des raccords du réservoir. Ouvrir lentement la soupape du réservoir de gaz PL, attendre 30 secondes et allumer la table-foyer.

## Problème : Forme de flamme irrégulière, la flamme ne court pas sur toute la longueur du brûleur

### Cause possible: les orifices du brûleur sont obstrués ou bouchés.

- Nettoyer les orifices du brûleur. Utiliser le bout d'un trombone dans chacun des orifices du brûleur pour vous assurer qu'ils ne sont pas obstrués. AVERTISSEMENT : Vous assurer que le brûleur n'est pas en fonction et que l'alimentation en gaz a été proprement débranchée. Attendre 15 minutes pour que l'appareil ait refroidi avant de le toucher.



## Problème: La flamme s'éteint

### Cause possible 1: Des vents forts ou des bourrasques de vent.

- Augmenter la flamme en position « HIGH ».

### Cause possible 2: Faible quantité de gaz PL

- Remplacer ou remplir le réservoir à gaz PL.

### Cause possible 3: La soupape de l'écoulement maximale ne fonctionne pas.

- Vous reporter au « Problème : Chute soudaine de la circulation du gaz »

## Problème: La flamme semble perdre de la chaleur quand l'appareil fonctionne lors des températures froides - température sous 50 °F (10 °C)

### Cause possible 1: De la glace a pu se former à l'extérieur du réservoir de gaz PL parce que le processus de vaporisation est trop faible.

- Tourner le bouton de contrôle et le réservoir de gaz PL en position « OFF ». Remplacer le réservoir de gaz par un de rechange et reprendre l'allumage. Entreposer le réservoir de rechange dans un endroit bien ventilé et hors de portée des enfants.

Si ces suggestions de dépannage ne résolvent pas le problème,  
contacter Real Flame au 1 800-654-1704

# Garantie et Politique de retour

## Garantie

La société Real Flame® garantit que les appareils et les accessoires de gaz Real Flamme sont exempts de défauts dans les pièces en usage normal et en service pendant une période d'un an à compter de la date d'achat et défectueux des produits finis pour une période de 1 ans à compter de la date d'achat . En cas de tels défauts, Real Flame remplacera, à son choix, le produit défectueux ou remboursera le prix d'achat. Ce qui précède constitue le remède exclusif et Real Flame renonce à toutes les autres garanties, y compris toute garantie implicite de qualité marchande ou d'adaptation à un usage particulier. En outre, Real Flame ne sera pas responsable des dommages consécutifs au-delà du prix d'achat du produit sur lequel cette responsabilité est fondée.

## Politique de Retour

Vous pouvez retourner votre achat dans les 90 jours suivant la réception. Il n'y aura aucun remboursement pour de renvois incomplets ou non autorisés. Tous les produits retournés doivent être à 100 % complets, emballé d'une manière adéquate, dans l'emballage original et dans une condition revendable. Les produits qui ont été assemblés ou modifiés ne seront pas admissibles au retour. Tous les articles doivent être retournés dans leur intégralité, signifiant que tous les articles inclus doivent être retournés ensemble. Aucuns échanges ou retours pour les articles retirés. Veuillez commencer le processus de retour en contactant le magasin ou l'entreprise où vous avez acheté votre article de Real Flame.

## Pièces de Rechange

ans le cas où un article a été perdu ou détérioré, soit par le fabricant ou pendant le transport, vous pouvez solliciter une pièce de rechange. Les pièces de rechange ne sont pas disponibles pour toutes les unités et sont donnés à la discrétion de Real Flame. Nous évaluerons tous les dommages et trouverons une solution qui pourrait inclure l'expédition d'un remplacement. On ne peut pas remplacer les articles retirés ou les produits remballés (emballage ouvert). S'il vous plaît appelez le Service Client de Real Flame 800-654-1704 pour les pièces de rechange avant de retourner l'article endommagé. Veuillez avoir les informations suivantes (qu'on peut trouver dans le manuel d'utilisation) à portée de main avant d'appeler Service Client.

- Numéro de Modèle de l'Article
- Numéro de pièce de 4-8 chiffres
- Numéro de Code du Lot
- Adresse de Livraison
- Une photo de l'article endommagé peut être demandée. Les photos doivent être envoyées à [ustserv@realflame.com](mailto:ustserv@realflame.com)

## Ordre Incorrect Reçu

Si vous avez reçu quelque chose d'autre que vous avez commandé, veuillez contacter le Service Client de Real Flame sur 800-654-1704 dans un délai de 48 heures après avoir reçu l'article.

Veuillez vous référer à [www.Realflame.com](http://www.Realflame.com) pour nos directives et politiques de retour complets.

Real Flame®  
7800 Northwestern Ave.  
Racine, WI 53406

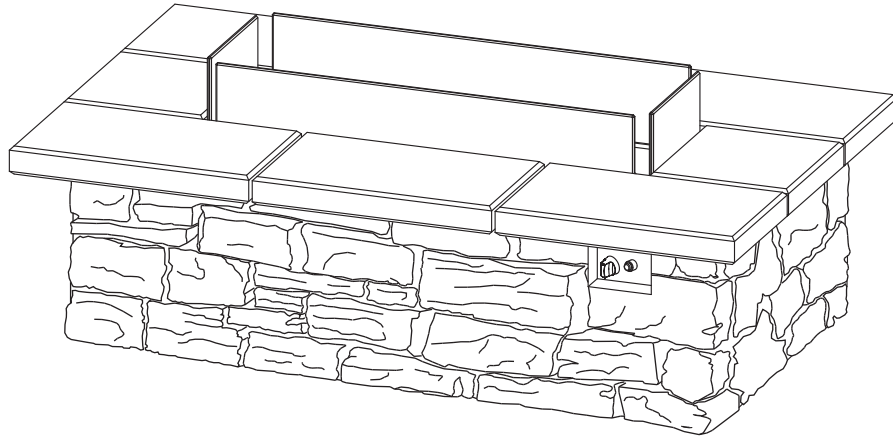
Customer Service: 1-800-654-1704 aux États Unis  
Service à la clientèle: 1-800-363-6443 au Canada  
[custserv@realflame.co](mailto:custserv@realflame.co)





# realflame<sup>®</sup>

fireplaces



## C11812LP Sedona

### Manual del hogar de la mesa de fuego

#### **! IMPORTANTE**

LEA ESTE MANUAL ANTES  
DE USAR EL PRODUCTO  
CONSERVE ESTAS  
INSTRUCCIONES

#### **! ADVERTENCIA**

Únicamente para uso al aire libre.  
NO lo utilice para cocinar.  
NO lo utilice debajo de  
una estructura

#### **! ADVERTENCIA**

- ▲ Si no sigue con precisión la información que se brinda en este manual, podría provocar un incendio o una explosión y causar daños a la propiedad, lesiones personales o la muerte.
- ▲ Lea las instrucciones de instalación, operación y mantenimiento atentamente antes de instalar o brindar servicio a este equipo.
- ▲ La instalación y el servicio deben estar a cargo de un instalador, una agencia de servicio o un proveedor de gas calificado.
- ▲ Conserve estas instrucciones para consultarlas en el futuro. Si está armando esta unidad para otra persona, entréguele el manual para que lo lea y lo conserve para consultarlo en el futuro.
- ▲ Si no realiza la instalación, el ajuste, la alteración, el servicio o el mantenimiento de manera adecuada, puede provocar lesiones o daños a la propiedad.



Diseño certificado bajo norma  
ANSI Z21.97-2010

Norma para artefactos de gas decorativos  
para exterior y CGA CR97-003 Requisitos  
para hogares a gas para exterior

#### **! PELIGRO**

Si siente olor a gas:

1. Corte el suministro de gas al artefacto.
2. Apague cualquier llama abierta.
3. Si el olor continúa, aléjese del artefacto y comuníquese inmediatamente con su proveedor de gas o con los bomberos.

#### **! ADVERTENCIA**

No almacene ni utilice gasolina u otros líquidos y vapores inflamables cerca de este o de cualquier otro artefacto.

Los cilindros de propano líquido que no están conectados para ser utilizados no se deben conservar cerca de este u otros artefactos.

**Los cilindros de propano se venden por separado**

**Servicio de atención al cliente de Real Flame: 1-800-654-1704**

# ÍNDICE

Información importante de seguridad	3
Peligros y advertencias sobre el propano líquido	5
Armado y reemplazo de la manguera y el regulador	7
Lista de piezas	8
Instrucciones de ensamblaje	9
Instrucciones previas al uso	14
Instrucciones de encendido	15
Cuidado y mantenimiento	16
Verificación de componentes de gas y conexiones	17
Solución de problemas	19
Garantía	21



## PELIGRO

### PELIGRO DE MONÓXIDO DE CARBONO

**Este artefacto puede producir monóxido de carbono, que es un gas inodoro.**

**Si utiliza este equipo en un lugar cerrado, puede provocarle la muerte.**

**Nunca use este equipo en un lugar cerrado, como un cámper, una carpa, un automóvil o una casa.**



# INFORMACIÓN IMPORTANTE DE SEGURIDAD

 **ADVERTENCIA** LA MESA DE FUEGO ES PARA USO ÚNICAMENTE AL AIRE LIBRE

## SI SIENTE OLOR A GAS

- Corte el suministro de gas a la mesa de fuego.
- Apague cualquier llama abierta.
- No intente encender ningún artefacto.
- No toque ningún interruptor eléctrico; tampoco use los teléfonos del lugar.
- Comuníquese inmediatamente con el proveedor de gas desde el teléfono de un vecino.
- Siga las instrucciones del proveedor de gas.
- Si no puede comunicarse con el proveedor de gas, llame a los bomberos.

- **ADVERTENCIA** Si no sigue las indicaciones de peligro, advertencia y precaución que se incluyen en este manual, podría sufrir lesiones graves o la muerte, o podría provocar un incendio o una explosión, con los consiguientes daños a la propiedad.
- **NOTIFICACIÓN IMPORTANTE** Lea y comprenda todas las advertencias y las precauciones antes de armar y utilizar la mesa de fuego a gas. Si no realiza la instalación, el ajuste, la alteración, el servicio o el mantenimiento de manera adecuada, puede provocar lesiones o daños a la propiedad.
- **Nota** El uso y la instalación de este producto se debe realizar en conformidad con los códigos locales. Si no conoce los códigos locales, utilice el Código de Gas combustible nacional, ANSI Z21.97 o consulte el Código de instalación de propano y gas natural CSAB149.1 o el Código de Almacenamiento y manipulación de propano B149.2.
- **Distancia mínima entre la unidad y los materiales combustibles**  
72 pulg. (182,9 cm) en la parte superior; 48 pulg. (121,9 cm) en los costados y la parte posterior. No coloque esta mesa de fuego debajo de una estructura.
- Esta mesa de fuego a gas y su válvula de seguridad individual se deben desconectar del sistema de abastecimiento de gas si se realizan pruebas en el sistema con una presión superior a 1/2 psi (3,5 kPa). Este artefacto se debe desconectar del sistema de abastecimiento de gas cerrando la válvula de seguridad manual individual si se realizan pruebas en el sistema con una presión igual o inferior a 1/2 psi (3,5 kPa).
- Conserve estas instrucciones para consultarlas en el futuro. Si está armando esta unidad para otra persona, entréguele el manual para que lo lea y lo conserve para consultarlo en el futuro.
- Esta mesa de fuego a gas se debe utilizar ÚNICAMENTE al aire libre, en un espacio correctamente ventilado y NO se debe utilizar dentro de un edificio, un garaje o cualquier otro lugar cerrado.
- NO utilice la mesa de fuego a gas para exterior para calefaccionar un ambiente interior. Podrían acumularse gases TÓXICOS de monóxido de carbono y provocarle asfixia.
- NUNCA DEJE esta mesa de fuego a gas sin supervisión durante su uso.
- Los niños deben recibir información acerca de los peligros de las temperaturas elevadas en la superficie y deben permanecer a una distancia segura cuando la mesa de fuego está siendo utilizada.
- No almacene ni utilice gasolina u otros líquidos y vapores inflamables dentro de un radio de 25 pies (7,62 m) de este o de cualquier otro artefacto.
- No almacene ningún material combustible en el gabinete de la base.
- El consumo de alcohol, medicamentos recetados o no recetados puede alterar la capacidad de una persona para armar u operar de manera segura esta mesa de fuego.

# INFORMACIÓN IMPORTANTE DE SEGURIDAD

- NO utilice este equipo en una atmósfera con riesgo de explosión. Mantenga la zona en la que se encuentra la mesa despejada y sin materiales combustibles, gasolina u otros líquidos y vapores inflamables.
- Esta mesa de fuego para exterior NO debe ser utilizada por niños. Los niños pequeños deben ser supervisados cuando se encuentren cerca de esta columna de fuego.
- Esta mesa de fuego para exterior no se debe instalar en embarcaciones o vehículos recreativos.
- Utilícela siempre en conformidad con todos los códigos nacionales, estatales y locales aplicables. Comuníquese con el departamento de bomberos local para obtener información detallada sobre los fuegos al aire libre.
- Al utilizar esta mesa de fuego para exterior, tome las mismas precauciones que tomaría con una llama abierta.
- NO queme en esta mesa de fuego combustibles sólidos como los siguientes: madera, briquetas de carbón, carbón, leños fabricados, tablones, basura, hojas, papel, cartón, aglomerado, madera pintada, teñida o con tratamiento a presión.
- NO utilice esta mesa de fuego para exterior hasta que esté COMPLETAMENTE armada y todas las piezas estén firmemente sujetas y ajustadas.
- NO almacene otro tanque de gas propano líquido dentro de un radio de 10 pies (3,05 m) de esta columna de fuego para exterior mientras se encuentre encendida.
- NO utilice esta columna de fuego para exterior cerca de automóviles, camiones, camionetas o vehículos recreativos.
- NO utilice esta mesa de fuego debajo de ninguna estructura ni cerca de construcciones combustibles que no estén protegidas. Evite utilizarla cerca o debajo de árboles o arbustos.
- Utilice siempre esta mesa de fuego para exterior sobre una superficie dura, nivelada y no combustible, como concreto, roca o piedra. Es posible que no resulte aceptable una superficie recubierta con asfalto.
- NO utilice esta mesa de fuego para exterior si alguna de sus piezas ha estado debajo del agua. Comuníquese inmediatamente con un técnico de servicio calificado para que inspeccione la mesa de fuego y reemplace cualquier pieza, sistema de control o control de gas que haya estado bajo el agua.
- NO utilice vestimenta inflamable u holgada al operar esta mesa de fuego para exterior.
- NO la utilice cuando haya viento.
- Mantenga todos los cables eléctricos alejados de una mesa de fuego para exterior.
- Algunas zonas de esta mesa de fuego para exterior pueden calentarse durante el uso. No toque las superficies calientes hasta que se haya enfriado la unidad, a menos que esté usando equipo de protección, como sujetadores aislados o guantes resistentes al calor, a fin de evitar las quemaduras.
- NO cuelgue ni coloque prendas de vestir u otros materiales inflamables cerca de la mesa de fuego a gas o sobre ella.
- Si se retira una cubierta u otro dispositivo de protección para brindar servicio a la mesa de fuego, debe volver a colocarlo antes de volver a usarla.
- NO intente mover ni almacenar esta mesa de fuego hasta que todas las piezas estén frías.
- NO se incline sobre esta columna de fuego al encenderla o durante su uso.
- Utilice únicamente el conjunto de manguera y regulador que recibió con este equipo. El conjunto de manguera y regulador de reemplazo debe ser el especificado por el fabricante.
- NO intente desconectar el regulador de gas ni ningún otro accesorio del tanque mientras la mesa de fuego para exterior se encuentre en uso.
- Desconecte siempre el tanque de propano cuando no esté utilizando la unidad.
- NO se siente ni se incline sobre esta mesa de fuego durante su uso.
- Las piedras volcánicas levantan mucha temperatura, mantenga a los niños y las mascotas a una distancia segura.

# INFORMACIÓN IMPORTANTE DE SEGURIDAD

- Es fundamental que conserve la limpieza del compartimiento de la válvula, el quemador y los pasajes para la circulación de aire de la mesa de fuego para exterior. Inspeccione la mesa de fuego antes de cada uso.
- Antes de poner en funcionamiento la mesa de fuego, mire a través del panel de acceso y verifique los componentes del quemador para ver si hay mucha abrasión o desgaste. Si alguna de estas piezas está dañada, debe reemplazarla antes de utilizar la mesa de fuego a gas. Comuníquese con Real Flame al 1-800-654-1704
- Antes de cada uso, retire las rocas volcánicas. Examine el quemador y sus componentes. Si están sucios, límpielos con un cepillo blando y una solución de agua y jabón. Examine la zona que rodea al quemador y retire cualquier suciedad o material extraño, como telas de araña o nidos de esta zona. Si es evidente que el quemador está dañado, no debe utilizar la mesa de fuego. El conjunto del quemador no se puede reemplazar. Comuníquese con Real Flame al 1-800-654-1704 para solicitar soporte técnico.
- Coloque la manguera alejada de los lugares de paso en los que alguna persona podría tropezarse. No coloque la manguera en las zonas en las que pueda sufrir un daño accidental.

## ADVERTENCIA

Esta mesa de fuego de exteriores debe ser utilizada sólo con gas licuado (LP). La conversión a gas natural (GN) debe hacerse con el kit de conversión de Real Flame aprobado y debe ser realizada por un profesional de gas. No hacerlo puede resultar en daños a la propiedad, lesiones o muerte.

**ATENCIÓN:** Cualquier modificación de la mesa de fuego para exterior que no esté específicamente indicada en el manual de operaciones anulará la garantía del fabricante.

# PELIGROS Y ADVERTENCIAS SOBRE EL PROPANO LÍQUIDO

## GAS PROPANO LÍQUIDO

El gas propano líquido es inflamable y peligroso si no se manipula de manera adecuada. Debe conocer las características antes de utilizar cualquier producto de gas de propano líquido.

### Características del propano

- Inflamable, explosivo bajo presión, más pesado que el aire y se asienta en zonas bajas.
- En su estado natural, el propano no tiene olor. Para su seguridad, se ha agregado olor.
- El contacto con el propano puede provocar quemaduras en la piel.
- El propano es sumamente inflamable y peligroso si se manipula incorrectamente.

### ADVERTENCIAS DEL GAS PROPANO LÍQUIDO

- Los cilindros se deben almacenar al aire libre en una zona bien ventilada, lejos del alcance de los niños.
- Los cilindros que no están conectados deben tener los tapones de las válvulas instalados y ajustados y no se deben almacenar en edificios, garajes u otros lugares cerrados.
- Nunca utilice un cilindro de propano si tiene el cuerpo, la válvula, el cuello o la base dañados.
- Los cilindros de propano con abolladuras u oxidados pueden resultar peligrosos y es necesario que el proveedor de gas propano los controle.
- Asegúrese de utilizar únicamente un cilindro de gas propano de 1 libra (465 g) en este artefacto.
- Sólo se pueden utilizar tanques con la etiqueta de “propano”. El tanque de abastecimiento de gas propano líquido debe estar construido e identificado en conformidad con las Especificaciones para tanques de gas propano líquido del Departamento de Transporte de los Estados Unidos (DOT) o las Normas nacionales de Canadá, CAN/CSA-B339, para el transporte de tanques, tubos y esferas de gas propano.

# PELIGROS Y ADVERTENCIAS SOBRE EL PROPANO LÍQUIDO

- Los tanques de gas propano deben contar con una manera de eliminar los vapores.
- El tanque de gas propano debe contar con un dispositivo para prevenir el llenado excesivo y un QCCI o una conexión Tipo I (CGA810).
- El cilindro de gas propano líquido debe contener una válvula de seguridad, en conformidad con las especificaciones de la Norma de Conexión de entrada y salida de la válvula de cilindros de gas comprimido, ANSI/CGA-V-1-1977, CSA B96.
- Nunca utilice un tanque de gas propano si tiene el cuerpo, la válvula, el cuello o la base dañados. Los tanques de gas propano con abolladuras u oxidados pueden resultar peligrosos y es necesario que el proveedor de gas propano los controle antes de su uso.
- Cuide de no dejar caer el tanque de gas propano líquido y manipúlelo con cuidado.
- Los tanques se deben almacenar al aire libre y lejos del alcance de los niños. NO los almacene en un edificio, un garaje o cualquier otro lugar cerrado.
- Nunca almacene su tanque de gas propano en lugares con temperaturas superiores a 125 °F (52 °C).
- No almacene los cilindros de gas propano en lugares con luz solar directa ni cerca de una fuente de calor o combustión.
- Nunca conserve un tanque de gas de propano en un automóvil caliente ni en el baúl de un automóvil. El calor incrementará la presión del gas y esto podría abrir la válvula de escape y permitir la salida del gas.
- Coloque la tapa sobre la salida de la válvula cuando el tanque de gas propano no esté siendo utilizado. Instale únicamente una tapa que haya sido provista junto con la válvula del tanque de gas propano. Si utiliza otro tipo de tapa o tapón, podría haber filtraciones de propano.
  - a. No almacene un cilindro de gas propano de repuesto debajo de este equipo o cerca de él.
  - b. Nunca llene un cilindro de gas propano por encima del 80% de su capacidad.
  - c. Si no respeta las indicaciones de los puntos (a) y (b) podría provocar un incendio que derive en lesiones graves o la muerte.
- Los cilindros de gas propano solo deben ser llenados por un distribuidor de gas propano certificado.
- El regulador de presión está ajustado en 11 pulgadas de columna de agua (presión).
- La presión de gas de entrada máxima para este equipo es de 14 pulgadas de columna de agua (presión).
- Nunca intente conectar este equipo a un sistema de gas propano autónomo de un cámper, una casa rodante o una casa.
- Utilice siempre el conjunto de manguera y regulador de presión que recibió con el equipo para conectar el cilindro de gas propano. Nunca conecte este equipo a un suministro de gas propano sin regular. Comuníquese con Real Flame al 1-800-654-1704 para solicitar soporte técnico.
- Ajuste el tanque de gas de 1 libra a mano. Nunca utilice herramientas. Si el tanque no se abre o cierra a mano, no intente repararlo. Comuníquese con un Técnico gasista certificado. Si lo fuerza o intenta repararlo por su cuenta, podría provocar un incendio o una explosión.

## Conexión del cilindro de gas:

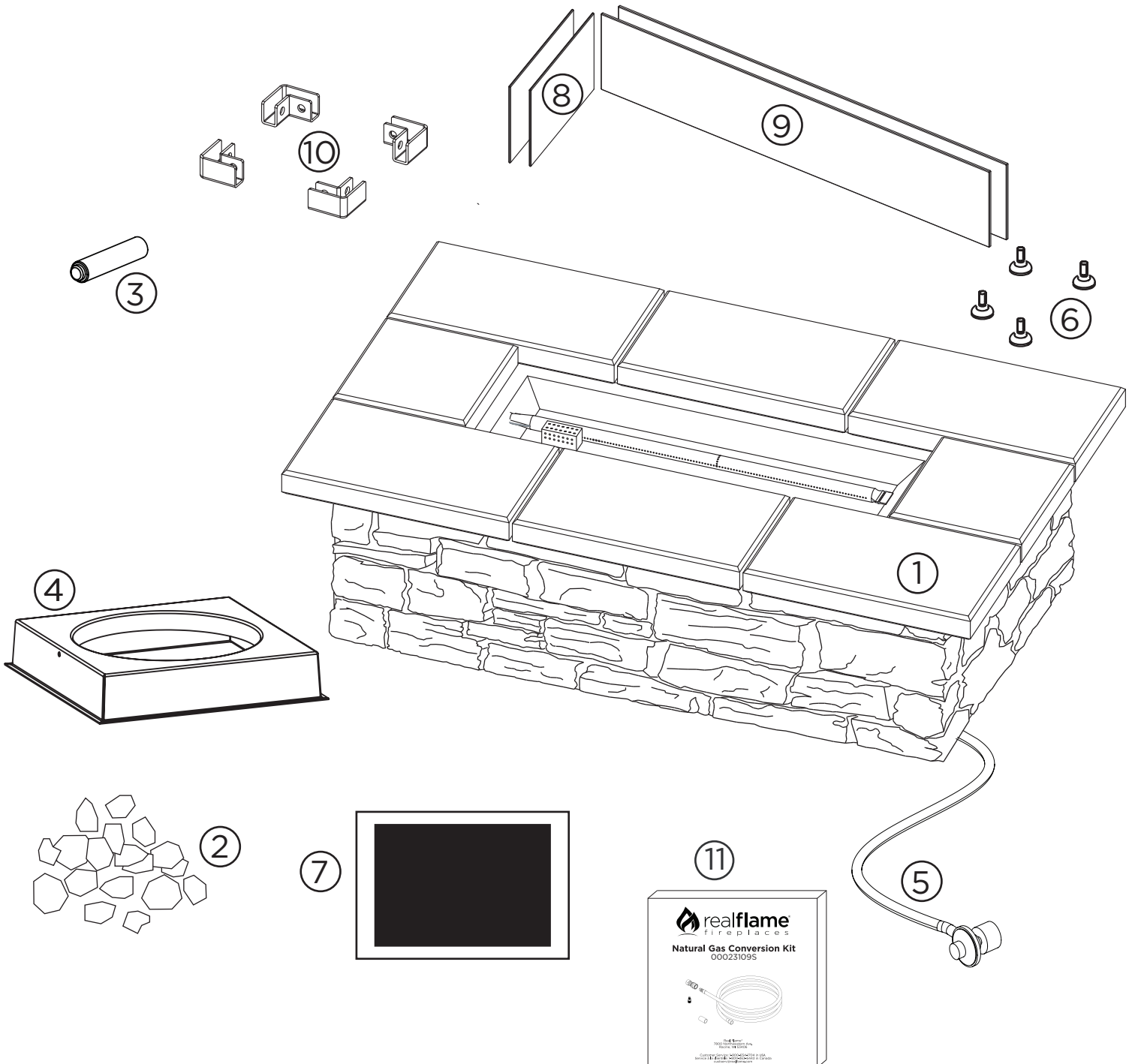
Antes de conectarlo, asegúrese de que no haya basura en el cabezal del cilindro de gas, la válvula reguladora, el quemador o los orificios del quemador. Conecte el tornillo en el tanque de 1 libra de gas propano y ajústelo manualmente. Desconecte siempre el cilindro de propano cuando no esté utilizando la unidad. NO obstruya el flujo de aire de combustión o de ventilación hacia el quemador.

# ARMADO Y REEMPLAZO DE LA MANGUERA Y EL REGULADOR

- 1.** Este hogar viene equipado con una manguera y un regulador de gas LP estándar, que incluye la conexión lateral del artefacto a un Dispositivo de conexión de cilindros CGA Núm. 791. Debe utilizar la manguera y el regulador de gas LP que recibió con esta mesa de fuego. Si es necesario reemplazar la manguera y el regulador, utilice únicamente los especificados por el fabricante.
  - a.** La conexión CGA Núm. 791 incorpora un dispositivo limitador de flujo que actúa como un limitador del flujo de gas en caso de que se detecte una pérdida entre el regulador y la válvula del quemador.
  - b.** Si la válvula del quemador se abre antes de abrir la válvula de servicio del cilindro de gas LP, la conexión considerará el libre flujo de gas como una pérdida.
  - c.** La función de seguridad de la conexión reducirá el flujo de gas desde el regulador hasta el artefacto a un nivel mínimo.
  - d.** Asegúrese de que la válvula de control del quemador esté cerrada antes de abrir la válvula de servicio del cilindro de gas LP para no activar erróneamente el dispositivo limitador de flujo de la conexión.
  - e.** Si el dispositivo limitador de flujo de la conexión se activa por error, cierre la válvula de servicio del cilindro de gas LP y la válvula del quemador. Espere 10 segundos para permitir que el dispositivo se desactive, abra la válvula de servicio del cilindro y abra la válvula del quemador. A continuación, encienda el artefacto siguiendo las instrucciones de encendido.
- 2.** Asegúrese de proteger la manguera de cualquier superficie caliente. El contacto de la manguera con cualquier superficie caliente constituye un grave peligro.
- 3.** Mantenimiento regular de la manguera y el regulador:
  - a.** Inspeccione la manguera antes de cada uso de la mesa. Si la manguera presenta señales de grietas, abrasiones, cortes o daños de cualquier tipo, no utilice este artefacto. Repare o reemplace la manguera, según sea necesario, antes de usar este artefacto. Si necesita asistencia para reparar o reemplazar la manguera, comuníquese con Real Flame al 1-800-654-1704. Utilice exclusivamente piezas de repuesto adquiridas al fabricante.
  - b.** Inspeccione el sello que se encuentra dentro de la válvula de servicio CGA Núm. 791 del cilindro de gas cada vez que reemplace el cilindro o, como mínimo, una vez al año. Si hay alguna señal de daños, haga reemplazar el sello por un gasista certificado antes de poner en funcionamiento este artefacto.
- 4.** No utilice herramientas para ajustar la conexión CGA Núm. 791 en la válvula de servicio del cilindro de gas LP. Realice el ajuste a mano.
- 5.** Tenga cuidado de no cruzar las roscas de la conexión al ajustar la conexión CGA Núm. 791 en la válvula de servicio del cilindro de gas LP.
- 6.** Siempre debe realizar una “prueba de filtraciones” después de ajustar la conexión a la válvula de servicio del cilindro de gas LP. (Consulte la sección “Verificación de filtraciones” de este manual, en la página 10).
- 7.** Para conectar la manguera y el regulador del tanque LP, consulte la sección “Conexión” de la sección del cilindro de gas LP, más atrás.

# LISTA DE PIEZAS

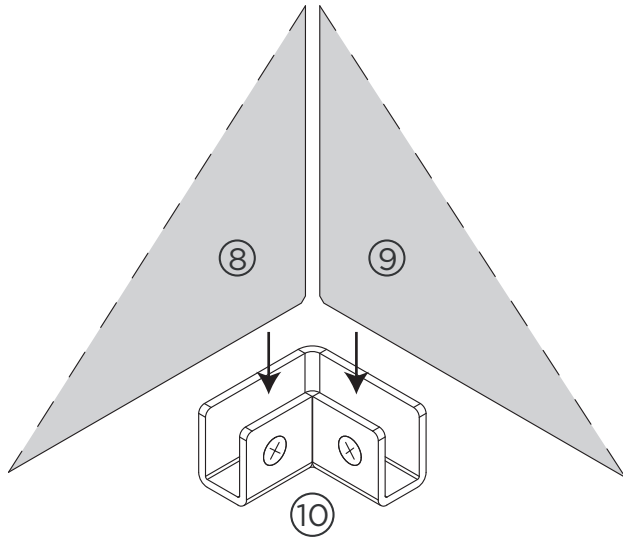
①	Mesa de fuego	N/A	1	⑥	Patas	06000003	4
②	Roca volcánica	118137100	1	⑦	Cobertura de protección	118120007	1
③	Batería	N/A	1	⑧	Corto de cristal	118120008	2
④	Base del tanque	100260000	1	⑨	Largo de cristal	118120009	2
⑤	Manguera y regulador de LP	100190000	1	⑩	Kit de hardware de vidrio	118020007	4
				⑪	Kit de conversión de GN	00023109S	1





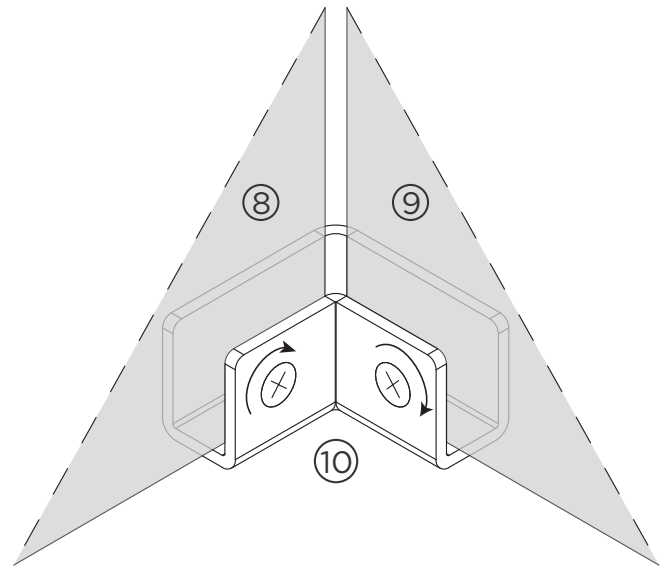
# INSTRUCCIONES DE ENSAMBLAJE

Inserte los paneles de vidrio (8 & 9) en los soportes de esquina (10).



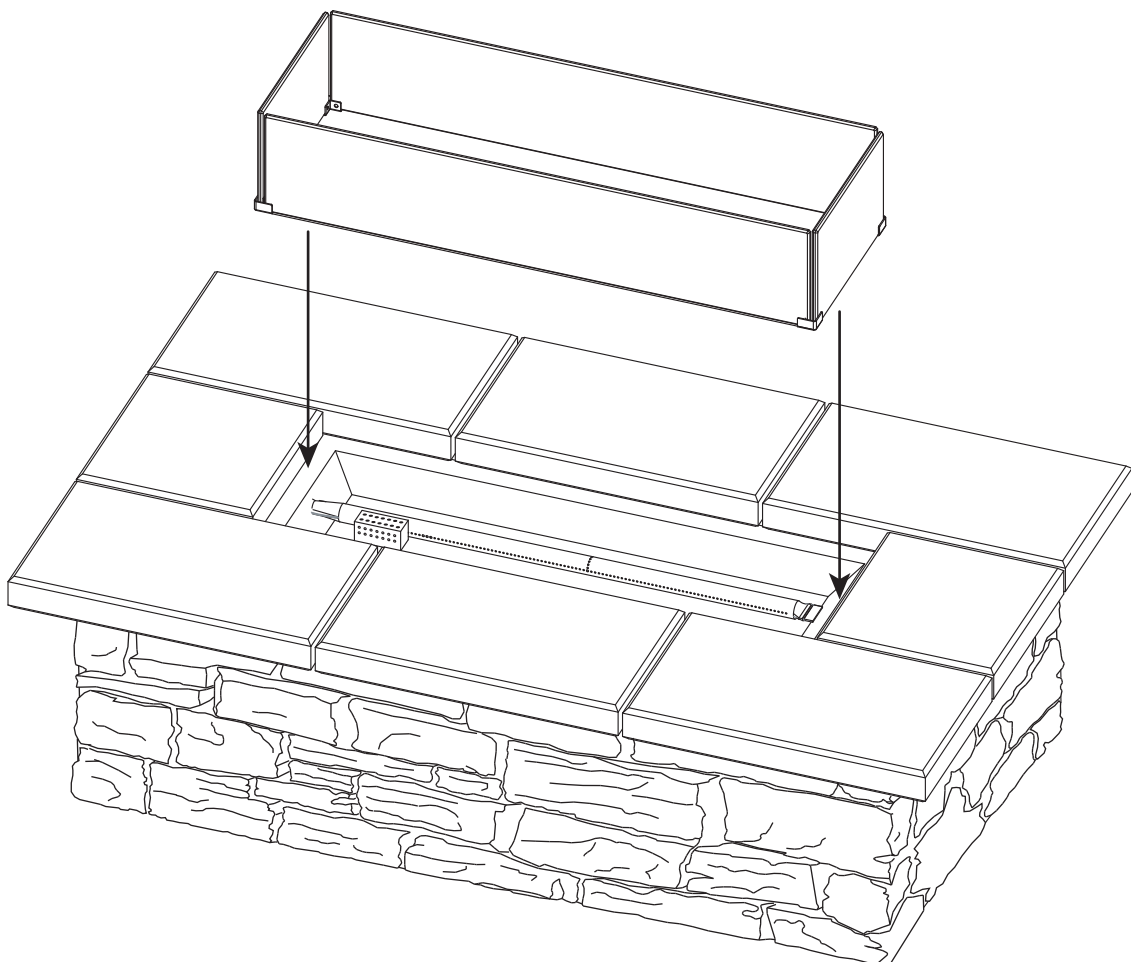
Asegure el vidrio en su lugar apretando los tornillos con un destornillador. No apriete los tornillos.

1



Coloque el vidrio ensamblado en la repisa alrededor del quemador.

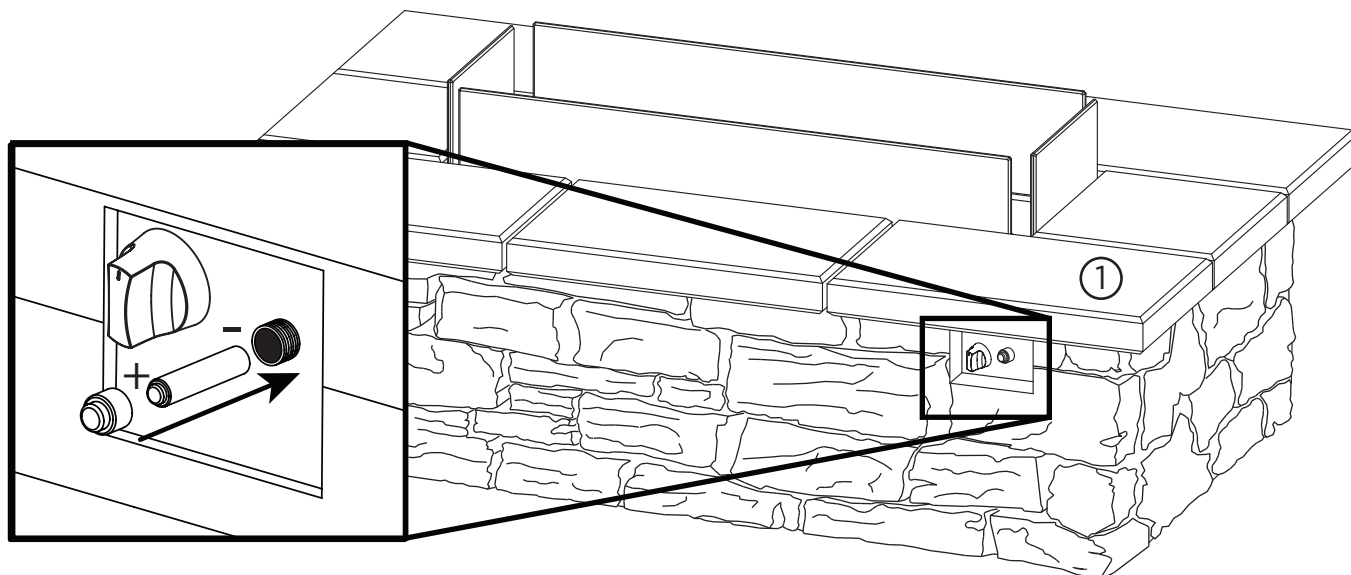
2



# ASSEMBLY INSTRUCTIONS

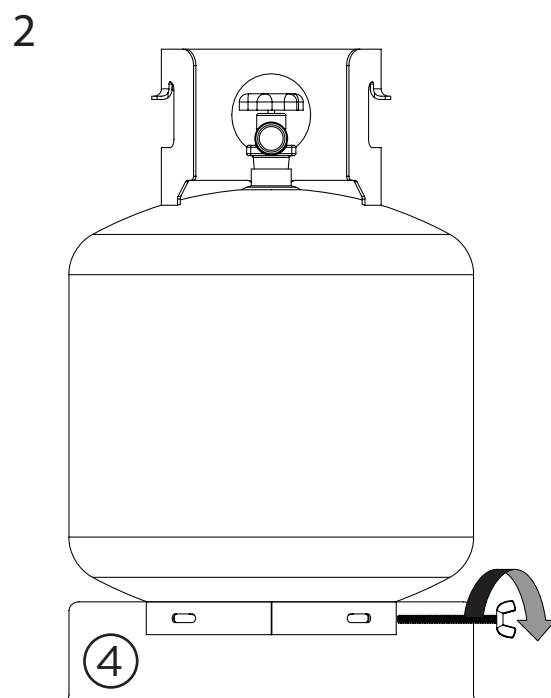
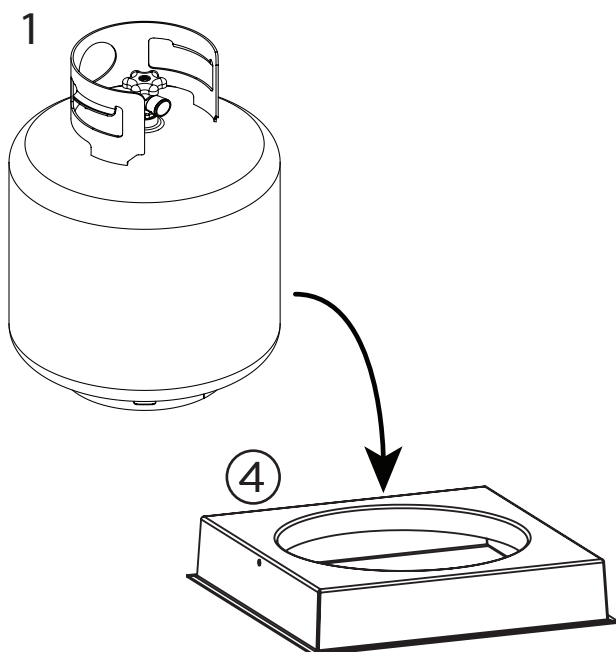
## 3

Instale la batería AAA como se ilustra en el diagrama que se incluye a continuación.



1. Coloque la base del tanque en el suelo y apoye un tanque de propano de 20 libras sobre ella.
2. Ajuste el tornillo del costado de la base del tanque para sujetar el tanque de propano.

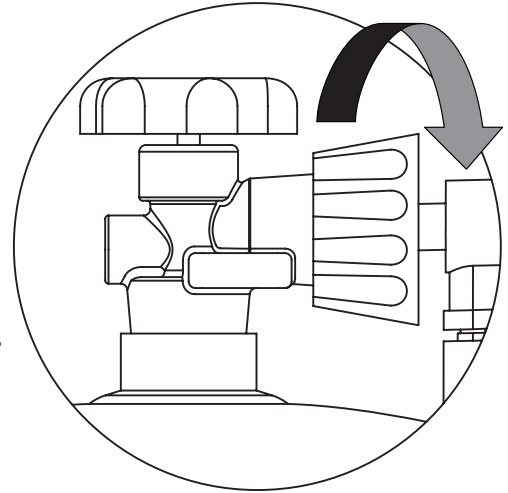
## 4



## Conexión del tanque de gas de propano

Asegúrese de que no haya basura en el cabezal del tanque de gas propano ni en el cabezal de la válvula del regulador. Asegúrese de revisar también los orificios del quemador y el quemador.

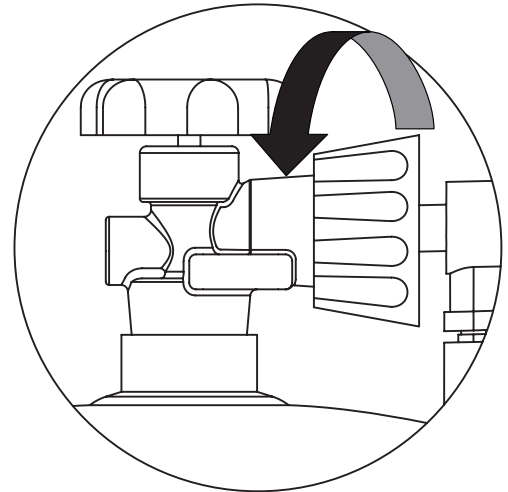
Conecte la línea de gas al tanque girando la perilla en el sentido de las agujas del reloj. Realice el ajuste a mano.



## Desconexión del tanque de gas de propano

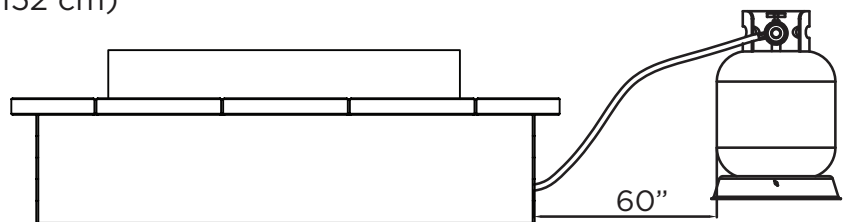
Asegúrese de que la válvula del tanque de gas LP esté cerrada.

Desconéctelo girando la perilla en el sentido opuesto al de las agujas del reloj hasta que se separe de la válvula.



## ⚠ ADVERTENCIA

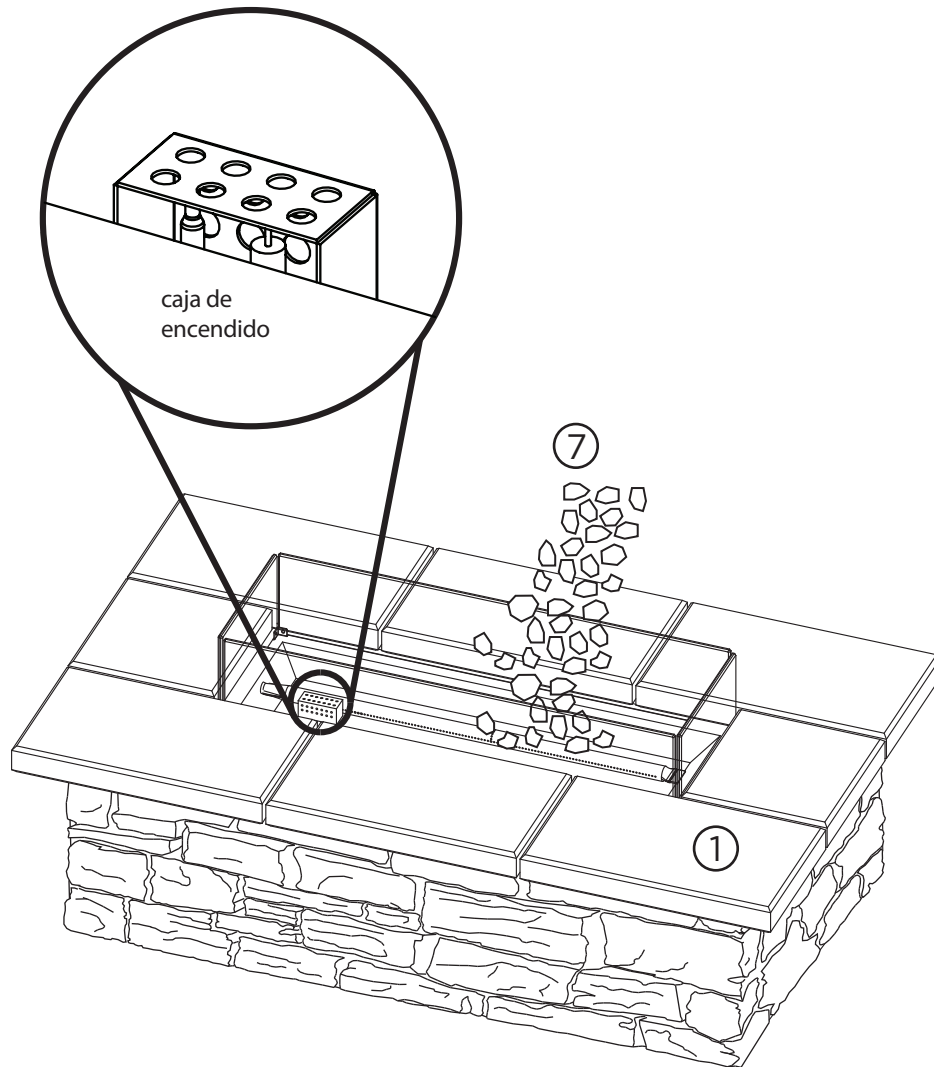
Mesa de fuego y cilindro de gas propano mínimo  
La distancia debe ser más de 60 pulgadas. (152 cm)



# INSTRUCCIONES DE ENSAMBLAJE

## 6

Coloque las rocas volcánicas manualmente. NO vacíe la bolsa en la bandeja para evitar tapan el quemador con polvillo. Coloque las rocas volcánicas a un nivel de aproximadamente 1 pulgada por encima del quemador. Asegúrese de no bloquear el encendedor con rocas volcánicas para garantizar una correcta ignición.



### NOTA

Materiales de relleno adicionales tales como vidrio o piedra pómez están disponibles para su compra a través de Real Flame. Llama Real para precios y opciones.

### Roca de lava y relleno alterno Advertencia:

1. No llene excesivamente el área del quemador con rocas o de relleno de vidrio. La profundidad del relleno no debe estar más de una pulgada por encima del tubo del quemador. Sólo productos de relleno de Real Flame están certificados y probados por CSA para el uso seguro con esta mesa de fuego de Real Flame; no utilice otros materiales de relleno.
2. No encienda ni utilice esta mesa de fuego si el relleno está húmedo. Asegúrese de que el relleno esté completamente seco antes de encender. El calor intenso puede hacer que el relleno húmedo explote y golpee a alguien causando lesiones.
3. Manténgase alejado de la mesa de fuego durante al menos 20 minutos durante el encendido inicial ya que el relleno podría retener algo de humedad proveniente de la fabricación y / o el envío.

**⚠️ ADVERTENCIA** Antes de usar esta mesa de fuego para exterior, asegúrese de haber leído, comprendido y estar siguiendo toda la información que se incluye en la sección de Información importante de seguridad de este manual. Si no sigue estas instrucciones puede provocar la muerte, lesiones graves o daños a la propiedad.

Antes de poner en funcionamiento la mesa de fuego, mire a través del orificio de verificación visual del lado de la base y verifique la manguera y la válvula para ver si hay mucha abrasión o desgaste.

## CONEXIONES DEL QUEMADOR

Asegúrese de que las conexiones de la manguera y la válvula del regulador estén bien sujetas al quemador y el tanque. Si le armaron la unidad, compruebe visualmente la conexión entre el caño y el orificio del quemador. Asegúrese de que el caño del quemador calce por encima del orificio.

**⚠️ ADVERTENCIA** Si no inspecciona esta conexión o no sigue estas instrucciones podría provocar un incendio o una explosión, lo cual podría provocar la muerte, lesiones graves o daño a la propiedad.

Consulte el diagrama para ver cómo es una instalación correcta. Si el caño del quemador no está al ras del orificio, comuníquese con Real Flame al 1-800-654-1704 para obtener asistencia.

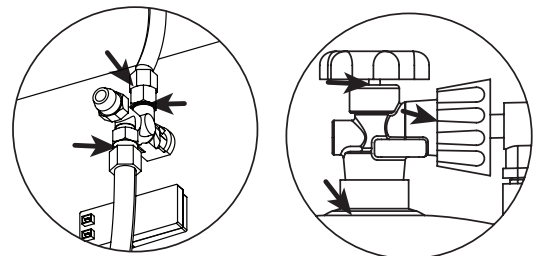
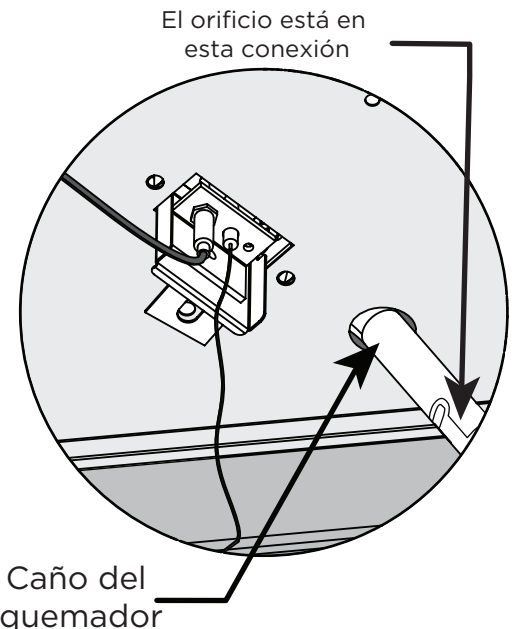
## Detección de filtraciones

Prepare una solución para detectar filtraciones mezclando una parte de lavavajillas con tres partes de agua en una botella rociadora. Asegúrese de que la perilla de control esté en la posición cerrada. A continuación, abra la válvula del tanque de gas LP.

Rocíe la solución sobre las conexiones de las válvulas y preste especial atención a las zonas que indican las flechas.

Si aparece alguna burbuja, cierre el tanque de gas, vuelva a realizar las conexiones y realice nuevamente la prueba. Si continúa viendo burbujas después de varios intentos, desconecte el gas y comuníquese con Real Flame al 1-800-654-1704 para solicitar asistencia.

Si una vez transcurrido un minuto, no hay ninguna burbuja, retire la solución y continúe.

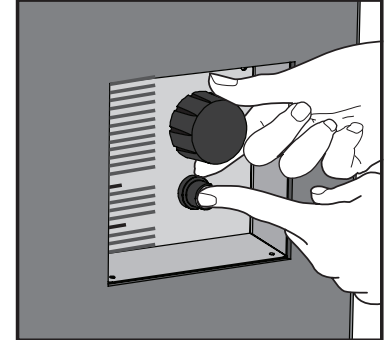


Verifique si hay filtraciones en estos lugares.

# INSTRUCCIONES DE ENCENDIDO

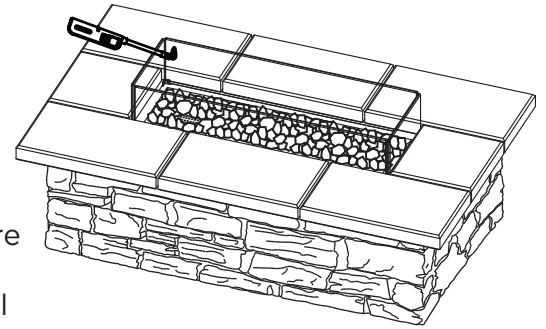
## Uso del encendedor

1. Lea y comprenda todas las instrucciones de operación antes de encender este equipo. Antes de encenderlo, asegúrese de haber retirado toda la película de protección de la bandeja del quemador de acero inoxidable.
2. La perilla de control del quemador debe estar en la posición de apagado (OFF).
3. Conecte el cilindro de propano (consulte las páginas anteriores).
4. Abra lentamente la válvula del cilindro de gas LP.
5. Empuje y mantenga presionado el botón encendedor para generar chispas.
6. Mientras sostiene el botón del encendedor con una mano, utilice la otra mano para girar la perilla de control a la posición de encendido y encender el quemador.
7. Mantenga presionada la perilla de control del quemador entre 15 y 30 segundos después del encendido.
8. Si después de 30 segundos, el equipo no enciende, gire la perilla de control a la posición "OFF" y cierre la llave de gas. Espere 5 minutos, a que se haya ventilado el gas y vuelva a realizar el procedimiento de encendido.
9. Después de encender esta unidad, gire la perilla de control del quemador en el sentido horario al ajuste "bajo". Observe la llama y asegúrese de que todos los orificios del quemador estén encendidos. La altura de la llama no debe superar las 13 pulgadas (18 cm).
10. Ajuste la llama a la altura deseada con la perilla de control.



## Uso de un fósforo o un encendedor largos

1. Antes de encender la columna, utilice una pala para mover las piedras volcánicas y acceder al quemador.
2. Con guantes resistentes al calor, coloque el encendedor o el fósforo largo cerca del costado del quemador. NO se incline sobre la mesa de fuego al encenderla.
3. Gire la perilla de control en el sentido opuesto al de las agujas del reloj para encender la columna.
4. Retire el fósforo o el encendedor.
5. Una vez que haya encendido el artefacto, utilice una pala o guantes resistentes al calor para mover cuidadosamente las piedras volcánicas a la posición adecuada y vuelva a colocar el panel de vidrio.
6. Después de encender esta unidad, gire la perilla de control del quemador en el sentido horario al ajuste "bajo". Observe la llama y asegúrese de que todos los orificios del quemador estén encendidos. La altura de la llama no debe superar las 13 pulgadas (18 cm).
7. Ajuste la llama a la altura deseada con la perilla de control.



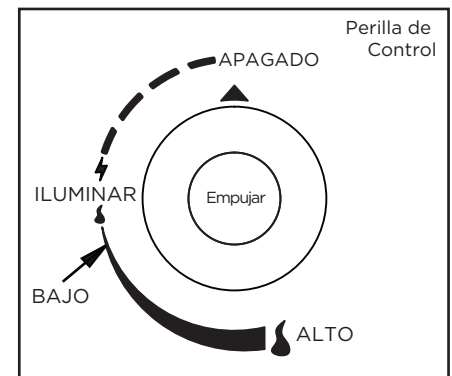
### ⚠ ADVERTENCIA

Cuando utilice este método para encender la mesa de fuego, utilice guantes resistentes al calor y siga las instrucciones paso a paso. Si no lo hace podría sufrir lesiones graves.

### ⚠ ADVERTENCIA

Si la llama del quemador se apaga durante esta operación, gire la perilla de control inmediatamente a la posición "OFF" y deje que el gas se ventile durante al menos 5 minutos antes de intentar encender la unidad nuevamente.

**Consulte las páginas de solución de problemas para recibir más asistencia. Comience por la página 18.**




# CUIDADO Y MANTENIMIENTO

## Inspección

Esta mesa de fuego para exterior se debe inspeccionar de manera regular para asegurarse de que sea seguro utilizar el producto y extender su vida útil.

 **ADVERTENCIA** NO inspeccione esta unidad para exterior hasta que el fuego se haya apagado POR COMPLETO.

1. Compruebe el quemador para asegurarse de que esté firme en su lugar.
2. Compruebe el tubo de Venturi para asegurarse de que esté despejado, sin insectos, telas de araña o desperdicios.
3. Compruebe todas las conexiones de gas para ver si hay filtraciones.
4. Compruebe el sistema de encendido para asegurarse de que genere chispas correctamente.
5. Compruebe los componentes en busca de señales de daños, óxido o desgaste excesivo.
6. Si detecta que algún componente está dañado, NO utilice este equipo hasta que haya sido correctamente reparado.

 **ADVERTENCIA** NO altere este artefacto. Es PELIGROSO y anulará la garantía. Si se detecta que una pieza falla, debe reemplazarse por una pieza adecuada, confirmada por el fabricante. Si desea recibir soporte técnico, comuníquese con Real Flame al: 1-800-654-1704.

## Cuidado y limpieza general

Este equipo para exterior se debe limpiar regularmente para asegurarse de que sea seguro utilizarlo y se pueda extender la vida útil del producto.

Nota: después utilizar esta unidad varias veces, es posible que haya una leve decoloración del acabado.

### Mesa

Repase las superficies exteriores con una solución de bicarbonato de sodio y lavavajillas suave. Después, enjuague con agua limpia.

### Acero inoxidable

1. Para la limpieza general, use agua tibia, jabón, amoníaco o detergente y aplíquelo con un paño suave o una esponja.
2. Si hay huellas digitales o manchas, utilice un limpiador 3M para acero inoxidable, Arcal 20, Lac-O-Nu, LuminWash, O'Cedar o brillo para acero inoxidable. Estos productos crearán una capa de barrera para reducir las marcas de huellas dactilares.\*
3. En el caso de manchas rebeldes o decoloración, use un limpiador y pulidor de acero inoxidable de 3M, limpiador concentrado Allchem, Samae, Twinkle, limpiador para cobre Cameo, Liquid Nu Steel o un limpiador para cobre o acero inoxidable Revere. Aplíquelo con un paño suave en la misma dirección que las líneas de pulido.\*

\* El uso de marcas comerciales tiene el único fin de indicar el tipo de limpiador necesario y no constituye una recomendación. La omisión de alguna marca de limpiador no implica que no sea adecuado. Todos los productos se deben utilizar en conformidad con las instrucciones del envase. Almacenamiento

## Almacenamiento

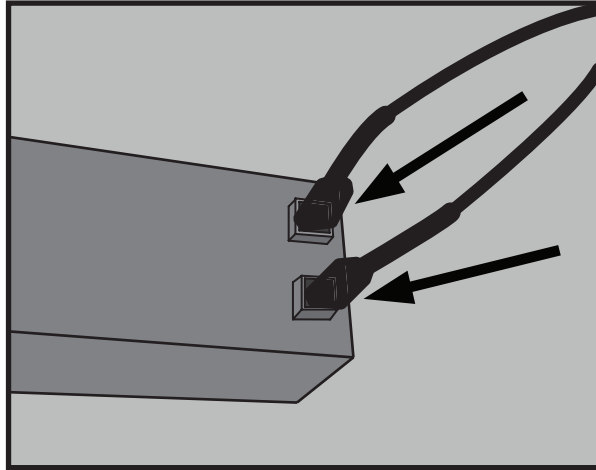
 **ADVERTENCIA** NO mueva ni guarde esta mesa de fuego a menos que el fuego se haya apagado TOTALMENTE y el equipo esté frío al tacto.

1. Cierre la válvula de gas en la conexión del tanque. Retire el tanque y guárdelo en un lugar fresco y seco, al aire libre y alejado de los niños.
2. Retire cuidadosamente el relleno de rocas y almacene los componentes derechos para impedir que se rompan.
3. Cubra SIEMPRE su equipo cuando no lo esté utilizando. Utilice la cubierta que recibió con la unidad.
4. Almacénelo en un lugar fresco y seco, al aire libre y alejado de los niños y las mascotas.

# VERIFICACIÓN DE COMPONENTES DE GAS Y CONEXIONES

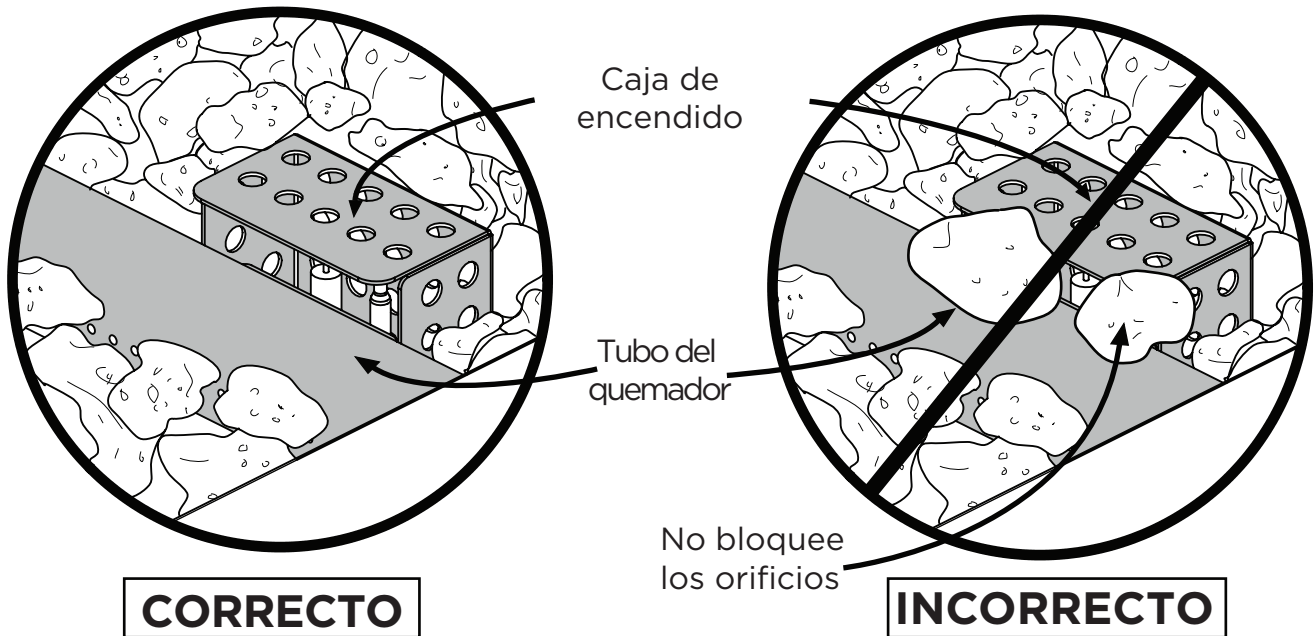
**Si el quemador no se enciende o no permanece encendido, realice las siguientes comprobaciones.**

1. Asegúrese de que el cable del electrodo esté correctamente conectado. Ambos cables del electrodo deben estar totalmente insertados en el encendedor.



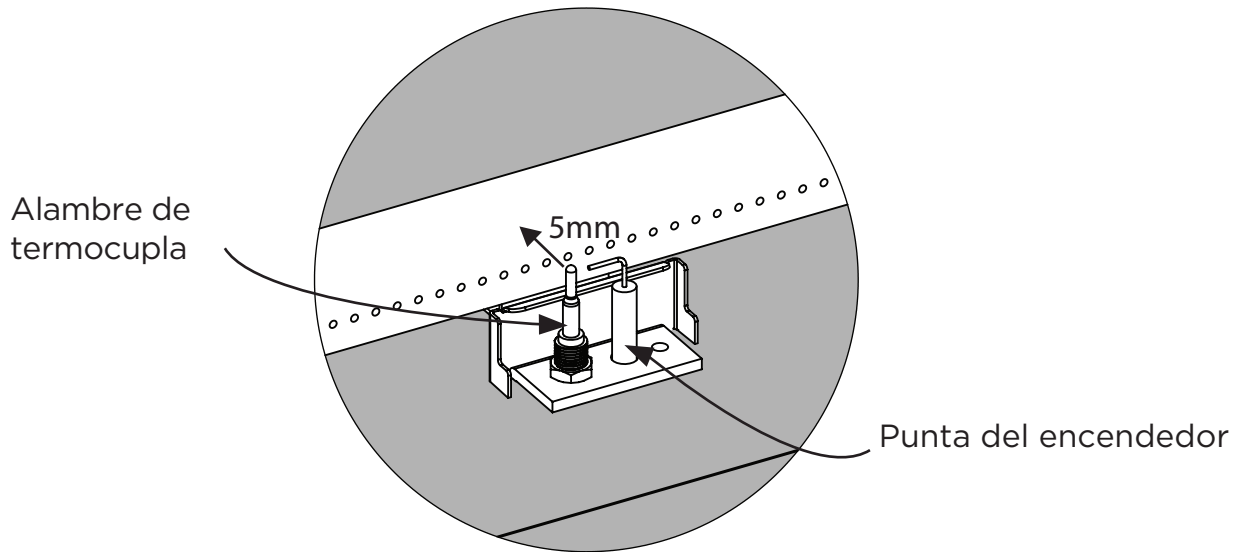
2. Asegúrese de que la caja de encendido no presente obstrucciones.

Retire cualquier desperdicio de la parte superior de la caja de encendido y asegúrese de que no haya desperdicios entre el chispero, la termocupla y el tubo del quemador.

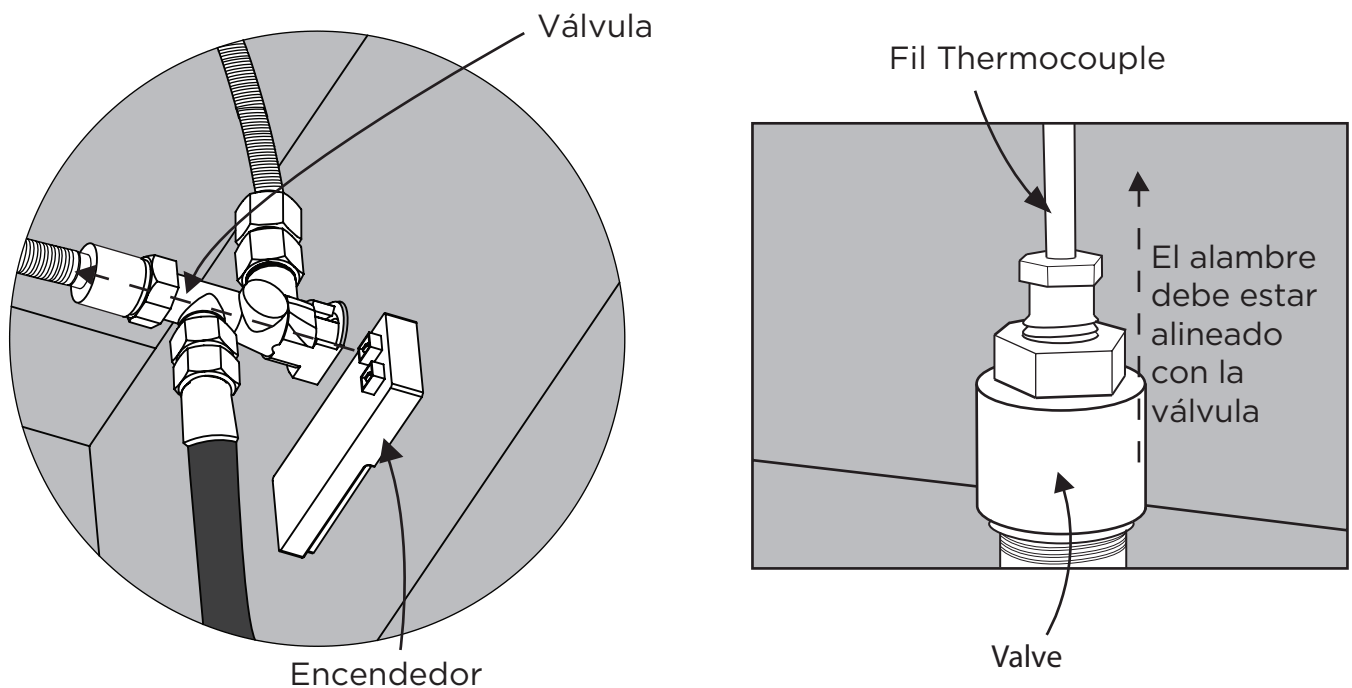




# VERIFICACIÓN DE COMPONENTES DE GAS Y CONEXIONES



3. Asegúrese de que la punta del encendedor y la termocupla estén ubicados de forma correcta.
- La punta del encendedor debe apuntar hacia la termocupla.
  - La termocupla debe estar ubicada a 5 mm del tubo del quemador.



4. Asegúrese de que el alambre de la termocupla esté ubicado de forma correcta. El alambre de la termocupla debe estar alineado con la válvula.

# SOLUCIÓN DE PROBLEMAS

## Problema: el quemador no se enciende con el encendedor

### Causa probable 1: El electrodo y los quemadores están húmedos.

- Séquelos con un paño.

### Causa probable 2: La batería del encendedor está mal colocada o está descargada.

- Compruebe que la batería AAA esté correctamente colocada en el encendedor (consulte la página 10) o cambie la batería.

### Causa probable 3: La punta del chispero está rota o rajada (hace chispas en la rajadura).

- Comuníquese con Real Flame al 1-800-654-1704 para solicitar soporte técnico.

### Causa probable 4: El cable está flojo o desconectado.

Consulte la página 16, primer paso, para volver a conectar el cable. Comuníquese con Real Flame al 1-800-654-1704.

### Causa probable 5: El cable está en corto (chispeando) entre el encendedor y el electrodo.

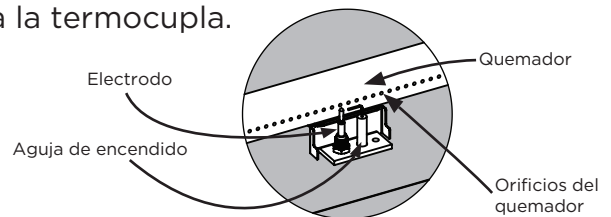
- Comuníquese con Real Flame al 1-800-654-1704 para solicitar asistencia.

### Causa probable 6: La punta del encendedor no apunta hacia la termocupla.

- Consulte la página 17, gire el electrodo para que apunte a la termocupla.

### Causa probable 7: El encendedor no funciona correctamente.

- Comuníquese con Real Flame al 1-800-654-1704 para solicitar asistencia.



## Problema: El quemador no se enciende con el fósforo

### Causa probable 1: No hay flujo de gas.

- Compruebe si el tanque de gas de propano está vacío. Si está vacío, reemplácelo y recárguelo. Si el tanque de propano no está vacío, consulte el Problema: "Caída repentina del flujo de gas" en la página siguiente.

### Causa probable 2: La tuerca de acoplamiento y el regulador no están bien conectados.

- Gire la tuerca de acoplamiento aproximadamente media a tres cuartos de vuelta, hasta que sienta que se detiene. No utilice herramientas, ajuste manualmente.

### Causa probable 3: Obstrucción del flujo de gas.

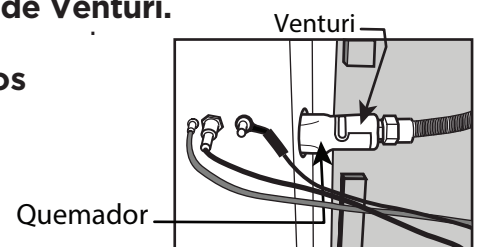
- Compruebe si la manguera está estrangulada.

### Causa probable 4: Telas de araña o nidos de insectos en el tubo de Venturi.

- Limpie el tubo de Venturi.

### Causa probable 5: Los orificios del quemador están bloqueados u obstruidos.

- Consulte el Problema: "Patrón irregular de la llama" en la página siguiente. Limpie los orificios del quemador, tal como se describe allí.



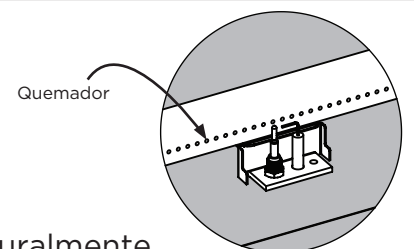
## Problema: La mesa de fuego emite mucho humo negro cuando está en uso

### Causa probable 1: La manguera de gas del hogar está estrangulada.

- Asegúrese de que la manguera no esté estrangulada entre la mesa de fuego y la fuente de gas.

### Causa probable 2: La llama está obstruida en los orificios del quemador.

- Asegúrese de que los orificios de salida de gas del quemador no estén tapados por rocas volcánicas para que la llama pueda fluir naturalmente.



Si desea recibir soporte técnico, comuníquese con Real Flame al: 1-800-654-1704

# SOLUCIÓN DE PROBLEMAS

## Problema: Caída repentina del flujo de gas o llama de menor altura

### Causa probable 1: Falta de gas.

- Comuníquese con la compañía local de gas.

### Causa probable 2: Es posible que se haya activado el dispositivo de seguridad para impedir el flujo excesivo de gas.

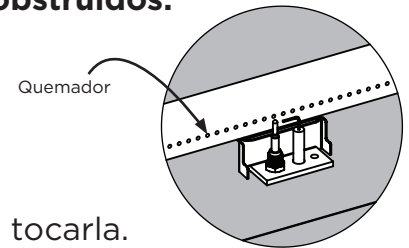
- Gire la perilla de control a la posición apagado, espere 30 segundos y encienda el equipo. Si las llamas continúan siendo demasiado bajas, reajuste el dispositivo de seguridad que impide el flujo excesivo, girando la perilla de control hasta la posición apagado y desconectando la válvula del tanque de gas propano. Desconecte el regulador. Gire la perilla de control del quemador a la posición alta. Espere un minuto. Gire la perilla de control del quemador a la posición apagado. Vuelva a conectar el regulador y lleve a cabo una verificación de filtraciones en la conexión del tanque. Gire lentamente la válvula del tanque de gas propano a la posición de abertura, espere 30 segundos y, a continuación, encienda la mesa.

## Problema: Patrón irregular de la llama, la llama no está presente en toda la longitud del quemador

### Causa probable: Los orificios del quemador están bloqueados u obstruidos.

- Limpie los orificios del quemador. Hágalo insertando un ganchillo de papel en cada orificio del quemador para asegurarse de que no estén tapados.

ADVERTENCIA: Asegúrese de que el quemador no esté encendido y que el abastecimiento de gas esté correctamente desconectado. Deje enfriar la unidad durante 15 minutos antes de tocarla.



## Problema: La llama se apaga

### Causa probable 1: Viento fuerte o remolinos de viento.

- Aumente la llama a la posición alta.

### Causa probable 2: Poco gas propano.

- Cambie el tanque de gas propano o recárguelo.

### Causa probable 3: La válvula de exceso de flujo está activada.

- Consulte el Problema: "Caída repentina del flujo de gas"

## Problema: La llama parece perder calor en clima frío: la temperatura es inferior a 50 °F

### Causa probable 1: Se ha acumulado hielo en la parte exterior del tanque de gas porque el proceso de vaporización es demasiado bajo.

- Gire la perilla de control y el tanque de gas propano a la posición apagado. Cambie el tanque de gas por uno de repuesto y continúe con el fuego. Conserve el tanque de gas propano de repuesto en un lugar correctamente ventilado y alejado de los niños.

Si estos pasos de resolución de problemas no permiten resolver el inconveniente, comuníquese con Real Flame al: 1-800-654-1704

# Políticas de garantía y devolución

## Garantía

Real Flame® Company garantiza que las mesas de fuego a gas y accesorios de Real Flame están libres de defectos en sus partes de acuerdo a un uso y servicio normal por un período de 1 año a partir de la fecha de compra y libre de defectos de terminación por un período de 1 año a partir de la fecha de compra. En caso de producirse dichos defectos, Real Flame sustituirá, a su discreción, el producto defectuoso o reembolsará el precio de compra. Lo anterior es el remedio exclusivo y Real Flame niega todas las demás garantías, incluyendo cualquier garantía implícita de comerciabilidad o la aptitud para un propósito particular. Además, Real Flame no será responsable de los daños consecuentes que excedan el precio de compra del producto en el que se basa dicha responsabilidad.

## Política de devolución

Se puede devolver la compra dentro de los 90 días de su recepción. No se extenderán reembolsos por devoluciones incompletas o no autorizadas. Todos los productos devueltos deben estar 100% completos, debidamente empaquetados en el embalaje original y en condiciones de reventa. Los productos que hayan sido montados o modificados no serán elegibles para la devolución. Todos los ítems se deben volver en su totalidad, significando que los mismos se deben encontrar todos incluidos ser devueltos juntos. No se permitirán devoluciones o intercambios en artículos descontinuados. Comience por favor el proceso de devolución entrando en contacto con la tienda o la compañía donde usted compró su artículo de Real Flame.

## Piezas de repuesto

En el caso de que un ítem haya sido perdido o dañado, ya sea por el fabricante o en el envío, se puede solicitar un reemplazo. Las piezas de repuesto no están disponibles para todas las unidades y sólo se ofrecen a discreción de Real Flame. Evaluaremos cualquier daño y encontraremos una solución, que podría incluir el envío de un reemplazo. No hay reemplazos disponibles para ítems descontinuados o productos reembalados (caja abierta). Llame al Servicio de Atención al Cliente de Real Flame al 800-654-1704 para obtener las piezas de repuesto antes de devolver el artículo dañado. Tenga a mano la siguiente información (que puede encontrar en el manual de instrucciones) antes de llamar al Servicio de atención al cliente.

- Número de modelo del artículo
- Número de pieza de 4-8 dígitos
- Número de código de lote
- Dirección de envío
- Se puede solicitar una foto del artículo dañado. Las fotografías deben enviarse a [custserv@realflame.com](mailto:custserv@realflame.com)

## Pedido recibido incorrecto

Si recibió un artículo diferente al que ordenó, comuníquese con el Servicio de atención al cliente de Real Flame llamando al 800-654-1704 dentro de las 48 horas de haber recibido el artículo.

Por favor, consulte [www.Realflame.com](http://www.Realflame.com) para obtener nuestras directrices y políticas de devolución completas.

Real Flame®  
7800 Northwestern Ave.  
Racine, WI 53406

Atención al cliente: 1-800-654-1704 en EE.UU. —  
Atención al cliente: 1-800-363-6443 en Canadá  
[custserv@realflame.com](mailto:custserv@realflame.com)