

# ASSEMBLY INSTRUCTIONS

## ARMOIRE



**THIS FURNITURE MUST BE FIXED TO THE WALL**

**⚠ WARNING**

Children have died from furniture tip over. To reduce the risk of tip over:

- ALWAYS secure this furniture to the wall using a wall anchor.
- NEVER allow children to stand, climb, or hang on drawers, doors or shelves.
- Do not defeat or remove the drawer interlock system.
- Place heaviest items in the lowest drawers.
- NEVER put a TV on this furniture.

To ensure the safety of those using this cabinet, it is crucial to properly secure it to the wall using a wall anchor. This product includes the necessary items for fixing the furniture to the wall. However, it is important to note that incorrect installation or failure to use the tip-over device can result in serious injury or even death.

For this reason, we highly recommend that a professional installer handle the installation of the cabinet to the wall.



## IMPORTANT RECOMMENDATIONS

Do not paint the cabinet.

The cabinet **MUST** be used exclusively indoors, do not expose to direct sun.

Clean metallic hardware with a dry cloth.

Do **NOT** overload the cabinet (see suggested loads).

Do not hit or hammer the cabinet (just when indicated).

Clean with a slightly damp cloth, use gentle soaps.

Do not drag, lift and move between two people.

Avoid direct contact with water, fire or exposure to heat sources.

## RECOMENDACIONES IMPORTANTES

No pintar el mueble.

El mueble debe ser usado únicamente en interiores, no exponer al sol directo.

Limpiar los herrajes metálicos con un paño seco.

**NO** sobrecargar el mueble (ver las cargas sugeridas).

No golpear ni martillar el mueble (solo cuando se indique).

Limpiar con un paño ligeramente húmedo, usar jabones suaves.

No arrastre el mueble, levántelo entre dos personas.

Evite el contacto directo con el agua, el fuego o la exposición a fuentes de calor.



### WARNING

Never allow children to climb or manipulate the cabinet, furniture tip over can cause serious injuries or death.



### ADVERTENCIA

Nunca permita que los niños escalen o manipulen el mueble, la caída de este puede provocar lesiones graves o la muerte.

# INDEX

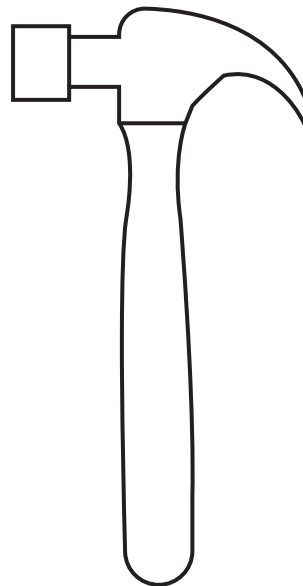
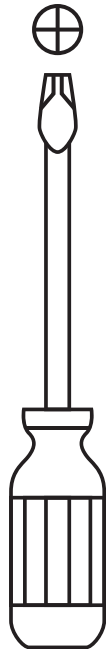
# ÍNDICE

Assembly Hardware .....	4
Assembly Parts .....	5
Suggested Loads .....	6
Assembly Recommendations .....	6
Assembly Steps .....	7-29
Warranty .....	30

Herrajes para Armado .....	4
Piezas de Armado .....	5
Cargas Sugeridas .....	6
Recomendaciones de Ensamble .....	6
Pasos de Armado .....	7-29
Garantía .....	30

## REQUIRED TOOLS\*

## HERRAMIENTAS NECESARIAS\*



\*Not included, and not shown actual size.

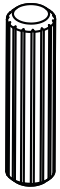
\*No incluidas y no se muestran en tamaño real.

# ASSEMBLY HARDWARE

# HERRAJES PARA ARMADO

Please check that the hardware content is correct. If any item is missing, please call to our customer service line.

Compruebe que el contenido de los herrajes sea el correcto. En caso de que falte alguna pieza, por favor llame a nuestra línea de atención al cliente.



**x80**

Wood Dowel  
Tarugo



**x73**

Spreading Bolt  
Perno Minifix



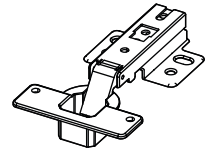
**x73**

Minifix Cams  
Minifix



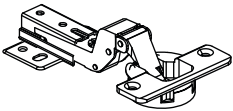
**x73**

Cover Caps  
Tapa Adhesiva Minifix



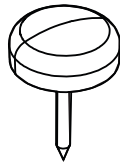
**x6**

Full Overlay Hinge  
(Screws included)  
Bisagra Parche  
(Incluye tornillos)



**x6**

Half Overlay Hinge  
(Screws included)  
Bisagra Semi-Parche  
(Incluye tornillos)



**x14**

Nail-On Glide  
Deslizador Puntilla



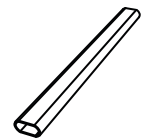
**x8**

Drywall Screw 2"  
Tornillo de Ensamble 2"



**x4**

Flat Head Screw  
Tornillo Lámina



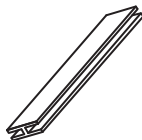
**x1**

Closet Rod  
Tubo Ovalado



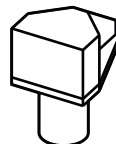
**x6**

Handle  
(Screws included)  
Manija  
(Incluye tornillos)



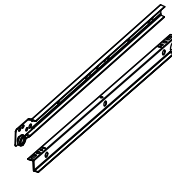
**x2**

Guide Profile  
Perfil H



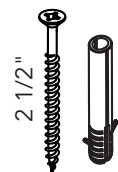
**x9**

Shelf support  
Soporte Entrepáño



**x2**

Drawer Slide  
(Screws Included)  
Riel  
(Incluye Tornillos)



**x4**

Wall anchor + screws  
Chazos + tornillos



**x2**

Mirror + Dot's  
Espejo + Dot's



**x2**

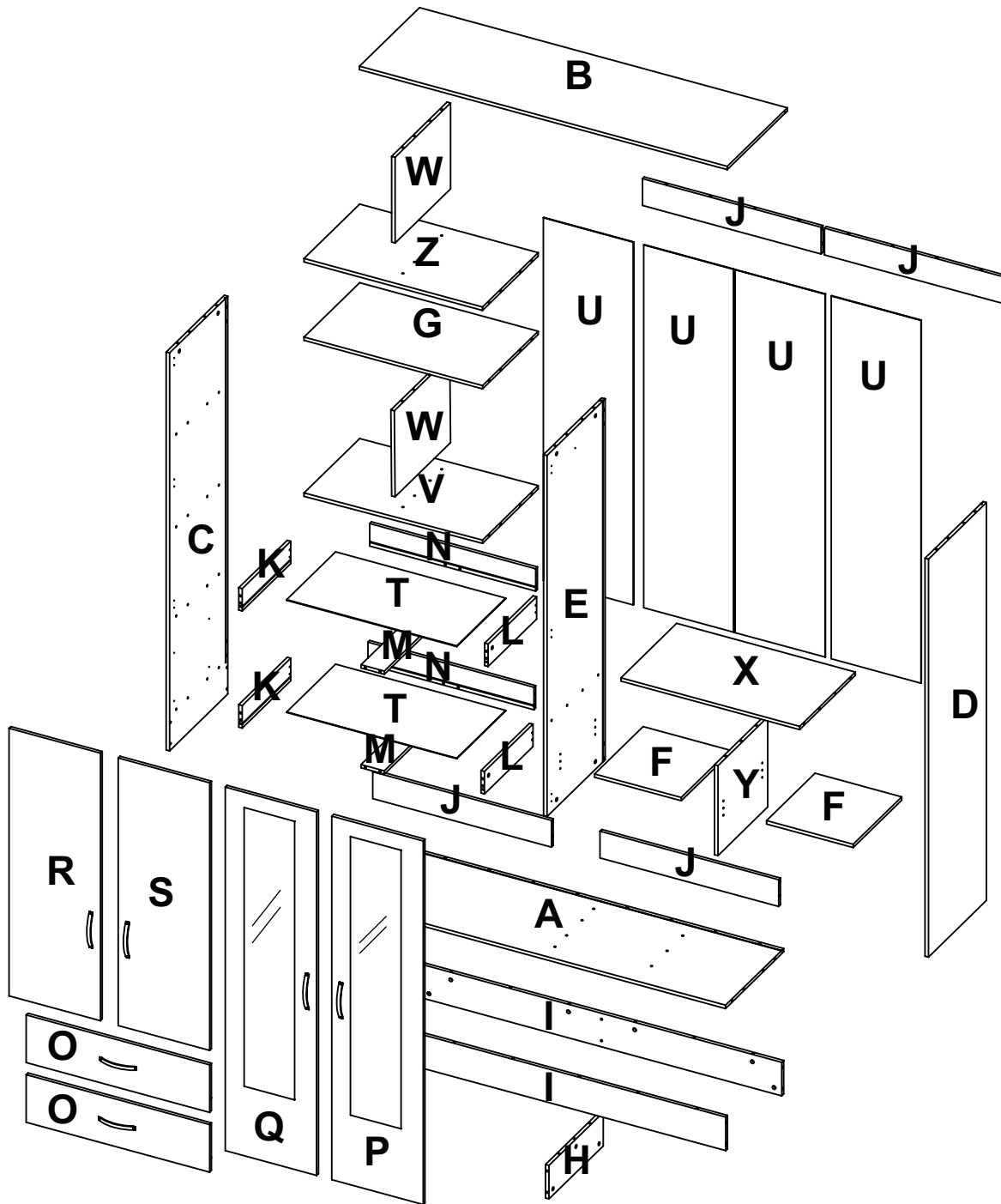
Rod Support  
Soporte Tubo

Los herrajes no se muestran en el tamaño real.

Hardware items are NOT shown actual size.

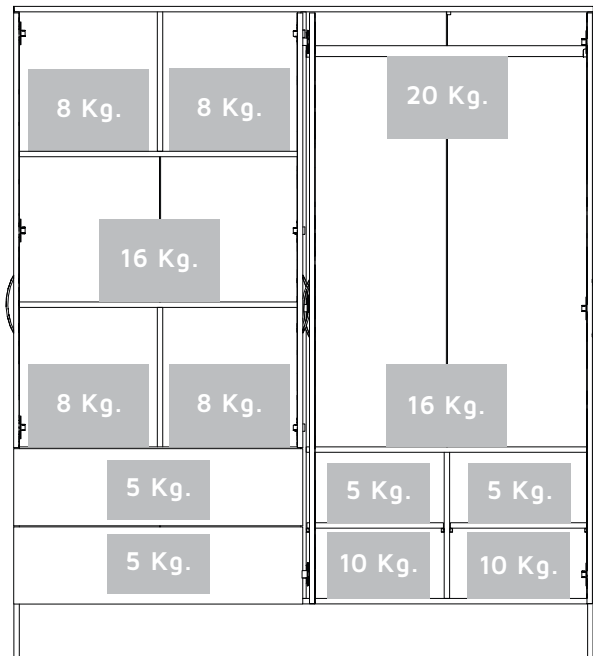
# ASSEMBLY PARTS

# PIEZAS DE ARMADO

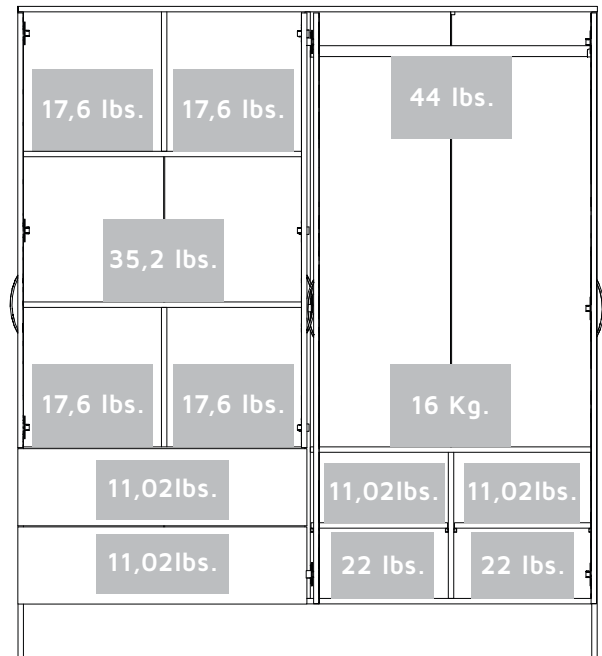


A - x1	F - x2	K - x2	P - x1	U - x4	Z - x1
B - x1	G - x1	L - x2	Q - x1	V - x1	
C - x1	H - x1	M - x2	R - x1	W - x2	
D - x1	I - x2	N - x2	S - x1	X - x1	
E - x1	J - x4	O - x2	T - x2	Y - x1	

## MAX SUGGESTED LOADS



## CARGAS MÁXIMAS SUGERIDAS



## ASSEMBLY RECOMMENDATIONS

Two people are recommended to assemble the product.

Assemble the cabinet on a flat, smooth surface, preferably on a carpeted floor or the carton box of the product.

Carefully read the assembly instructions and identify every wood and hardware part before start assembling the cabinet.

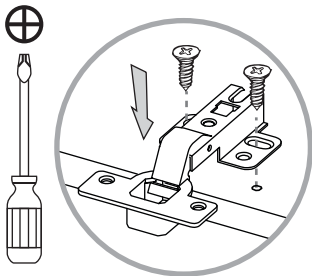
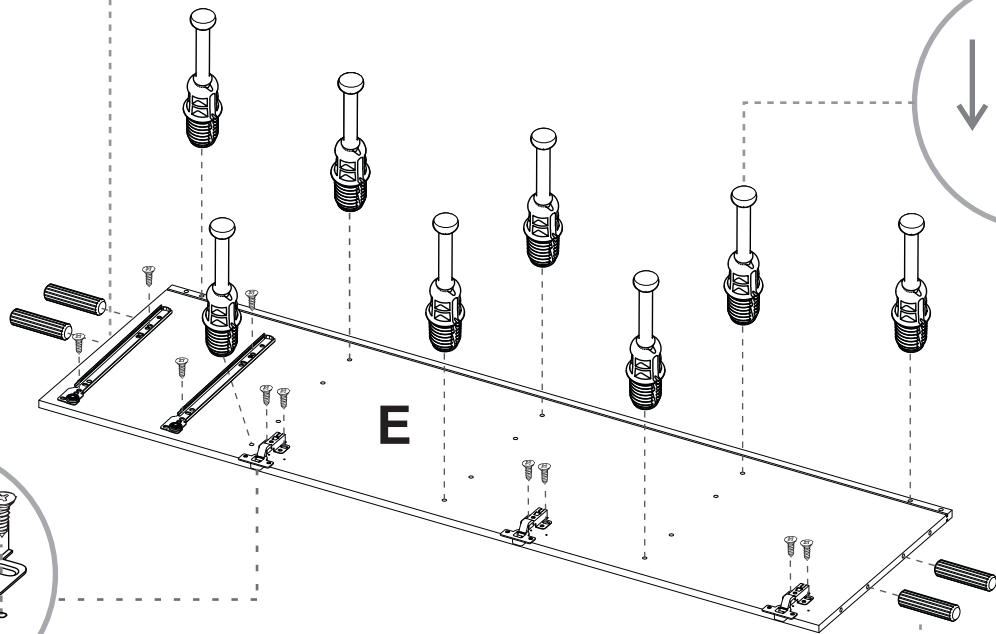
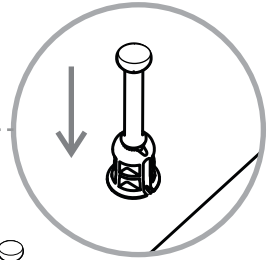
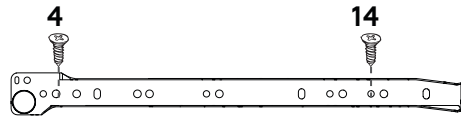
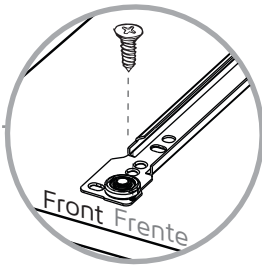
## RECOMENDACIONES DE ENSAMBLE

Ensamble el mueble entre dos personas.

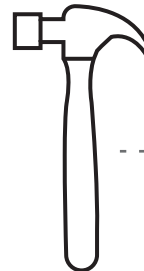
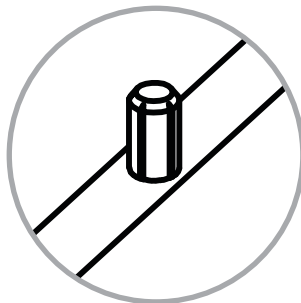
Ensamble el mueble sobre una superficie plana y lisa, preferiblemente sobre un tapete o el cartón de la caja

Lea cuidadosamente las instrucciones e identifique todas las piezas y herrajes antes de empezar a armar el mueble.

1

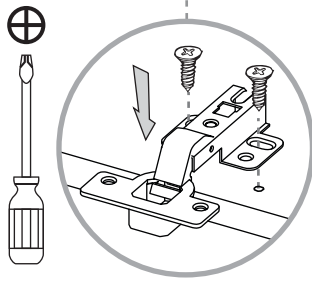
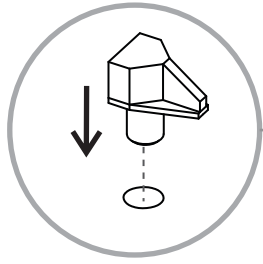
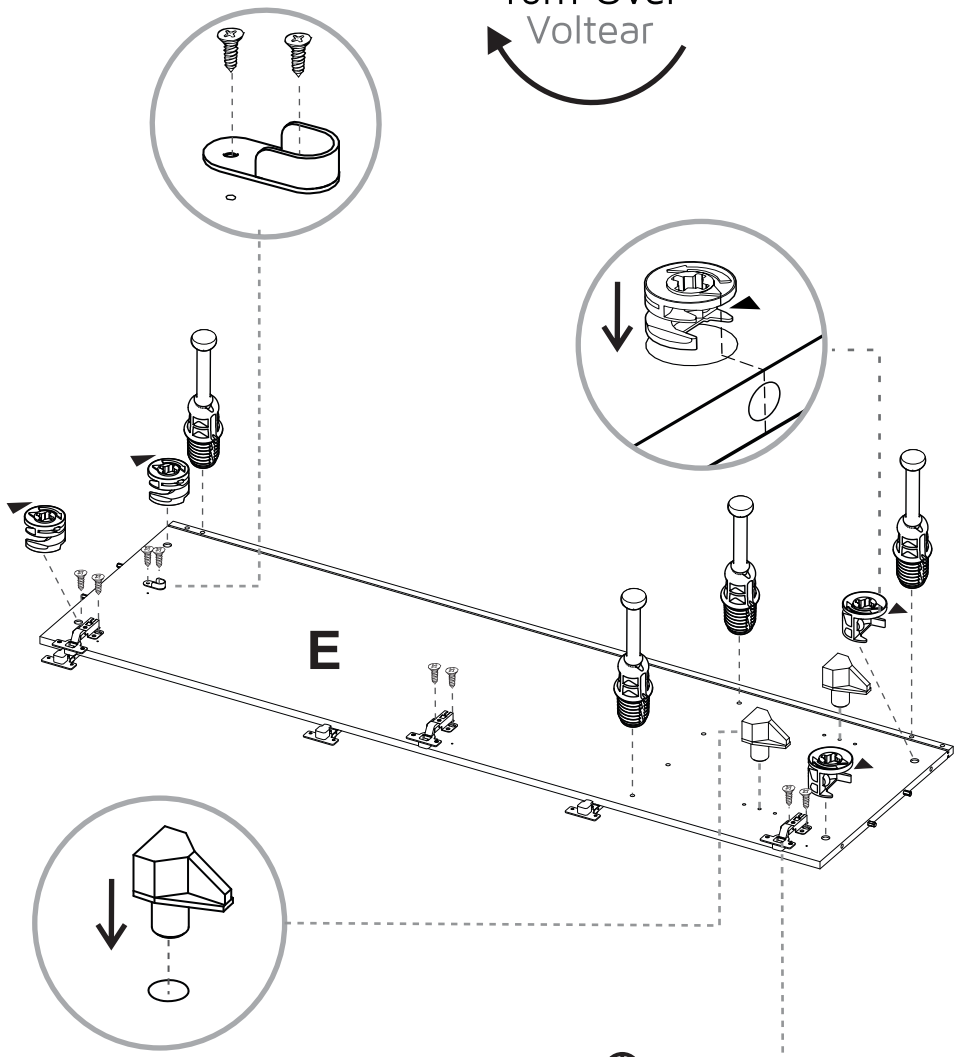


Half Overlay Hinge  
Bisagra Semi-Parche



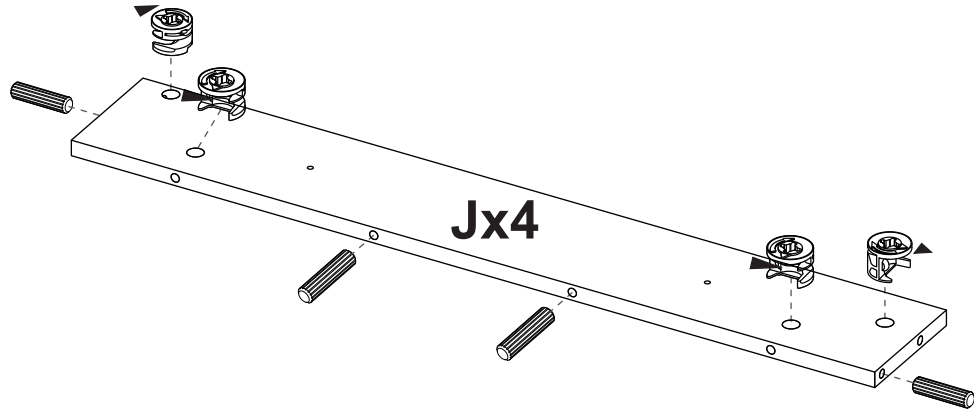
Repeat this in the following steps  
Repita esto en todos los ensambles

Turn Over  
Voltar

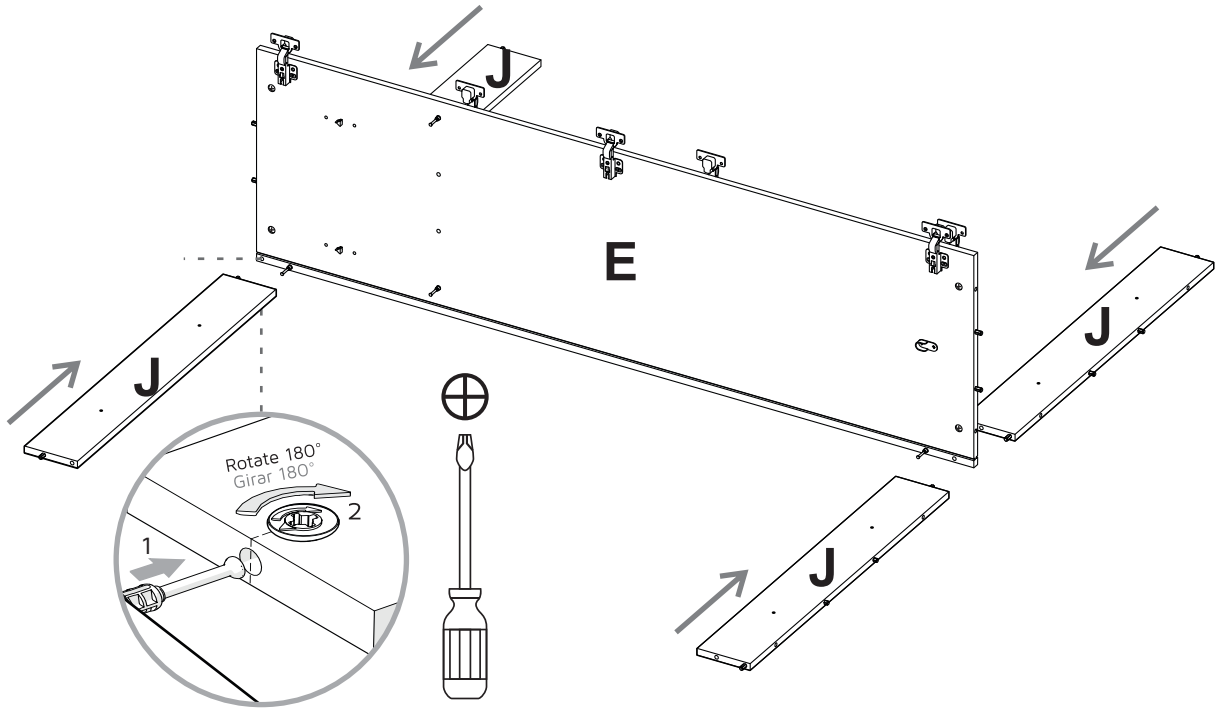


Half Overlay Hinge  
Bisagra Semi-Parche

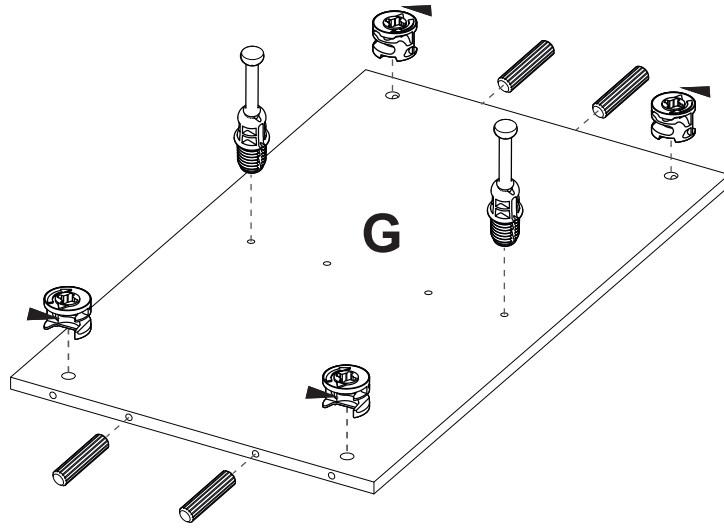
3



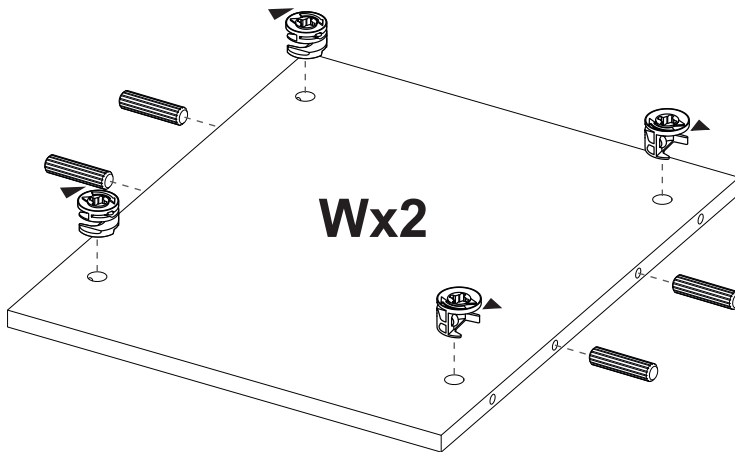
4



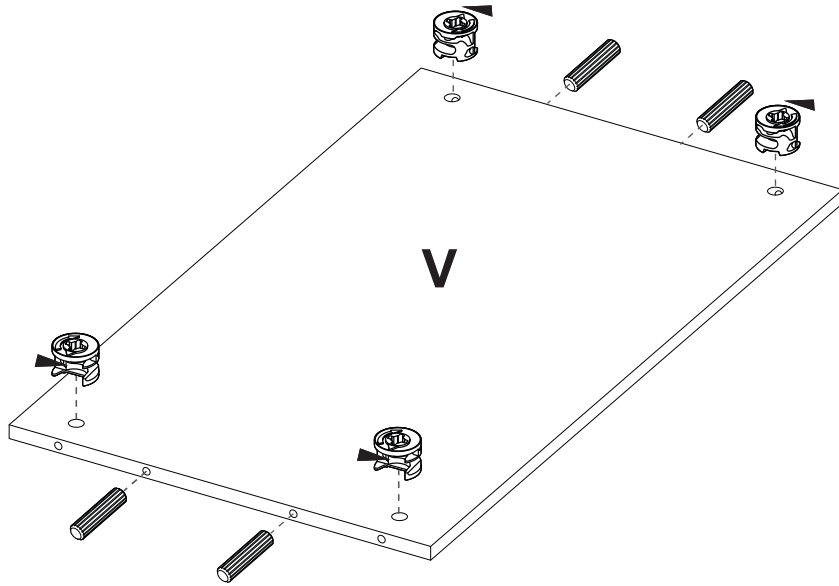
5



6

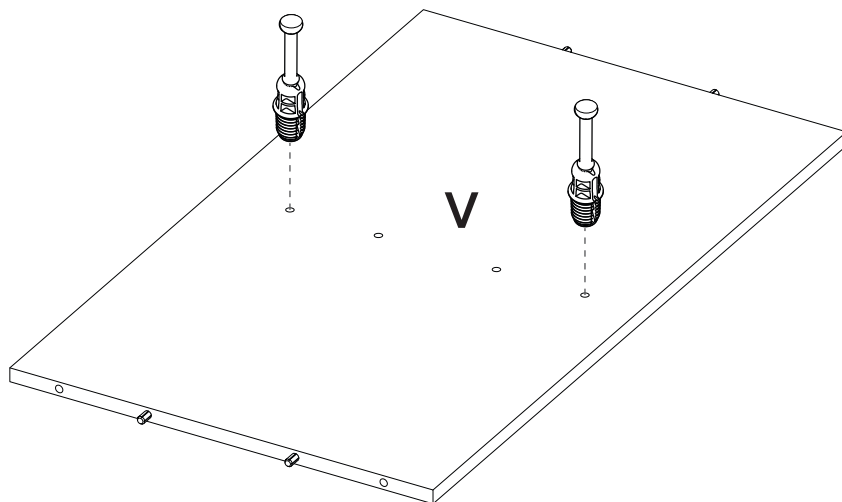


7

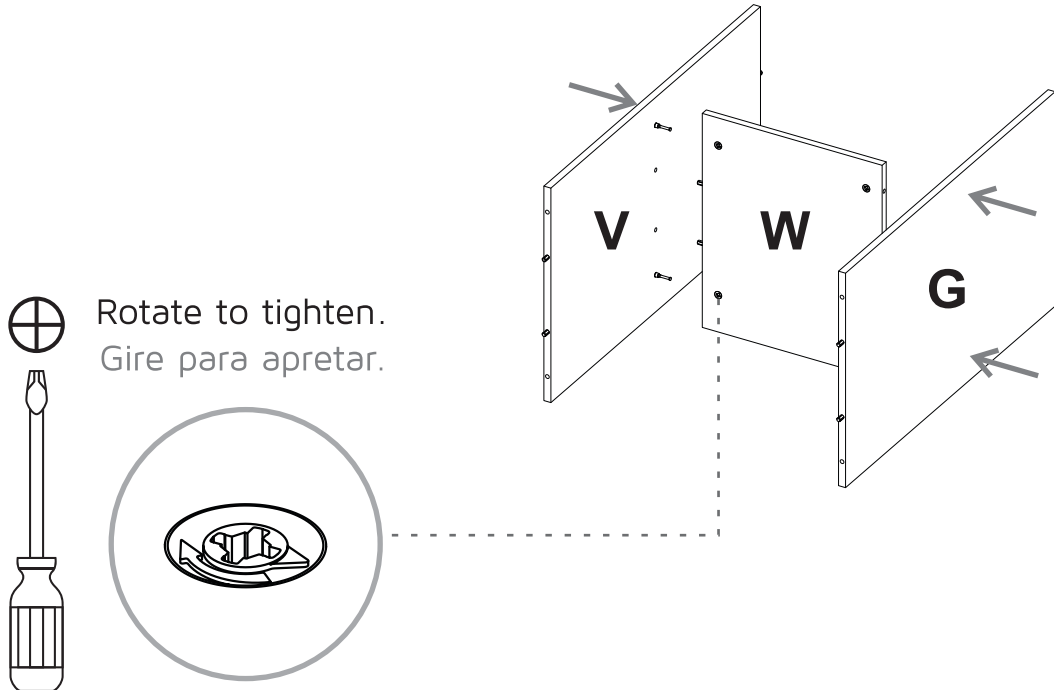


Turn Over  
Voltear

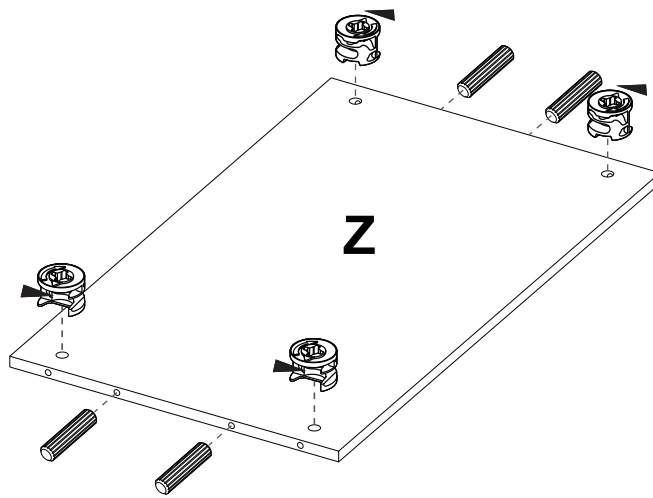
8



9

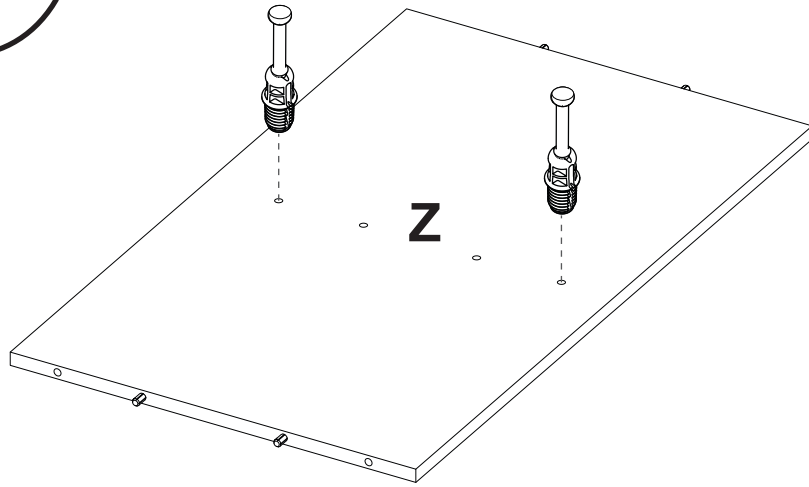


10

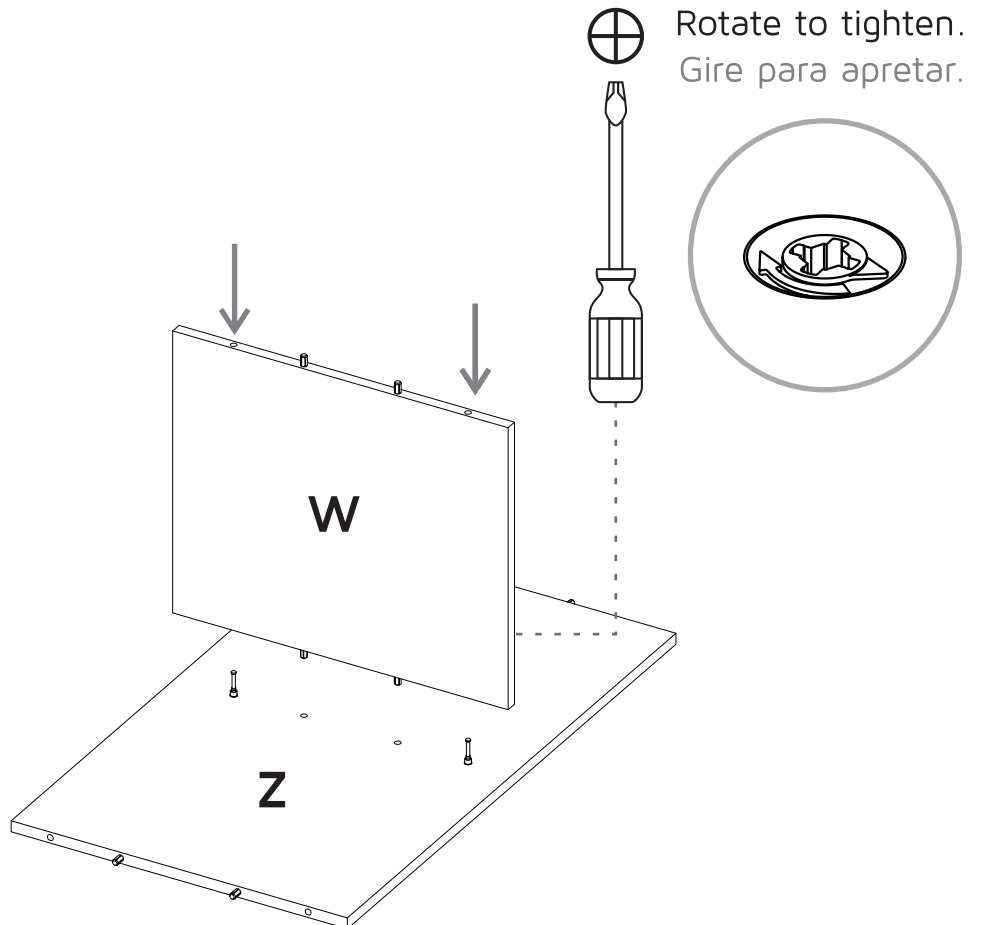


11

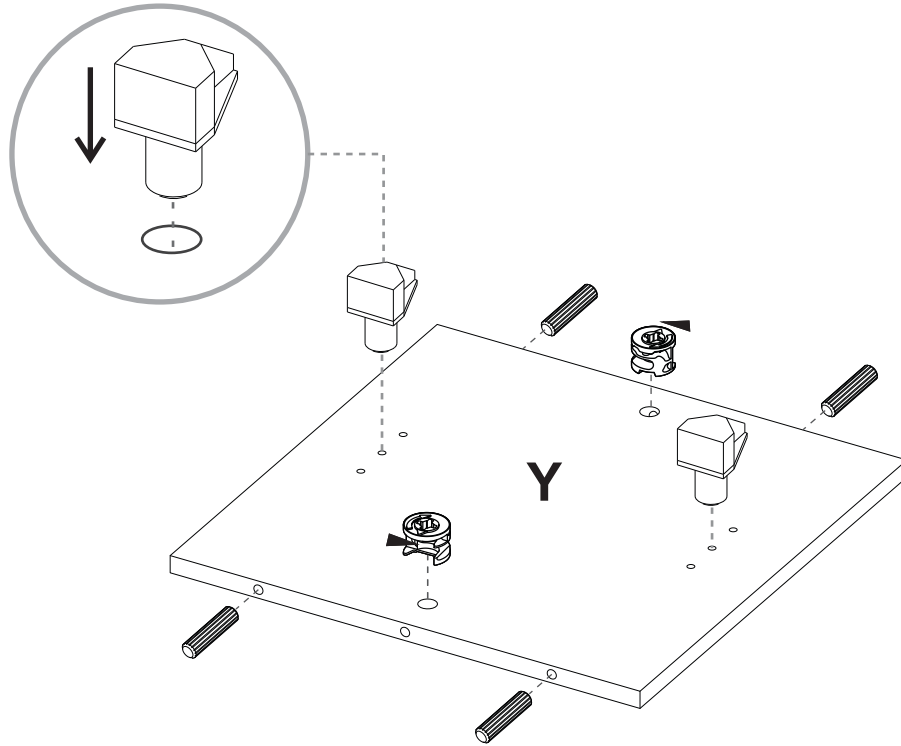
Turn Over  
Voltear



12

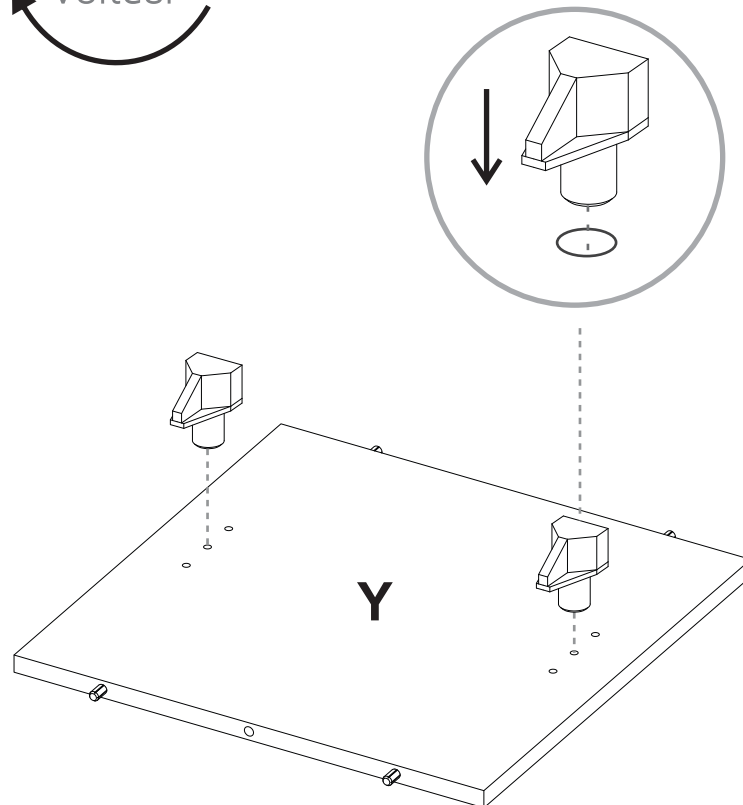


13

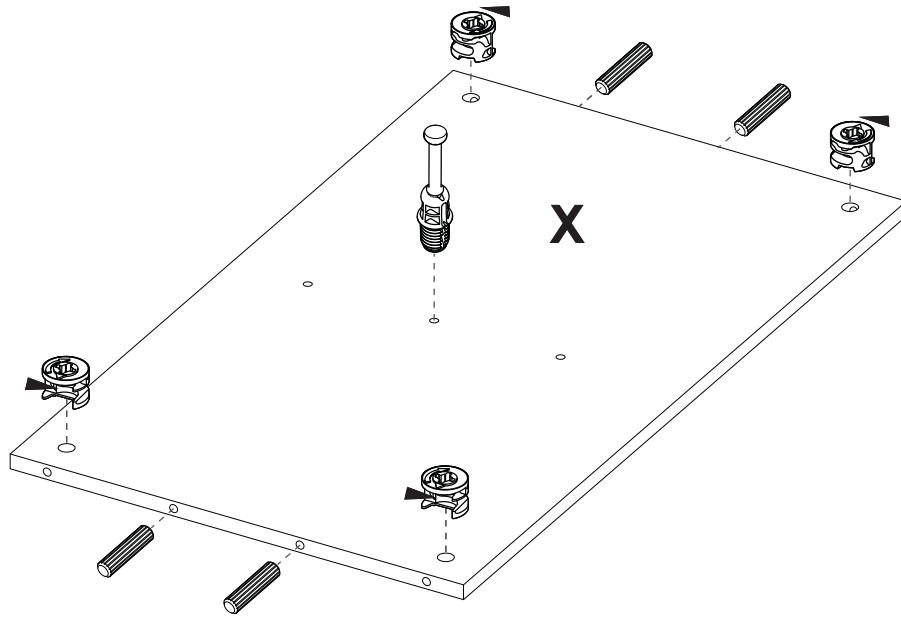


14

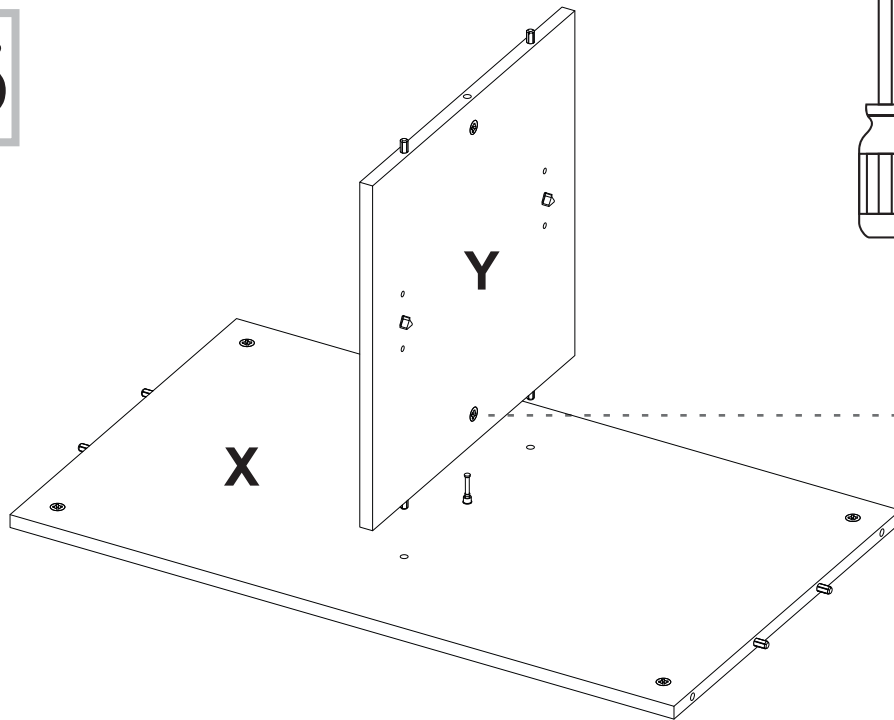
Turn Over  
Voltear



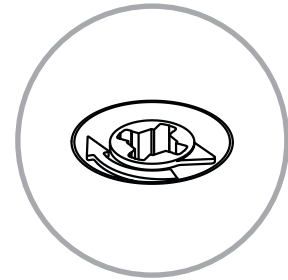
15



16

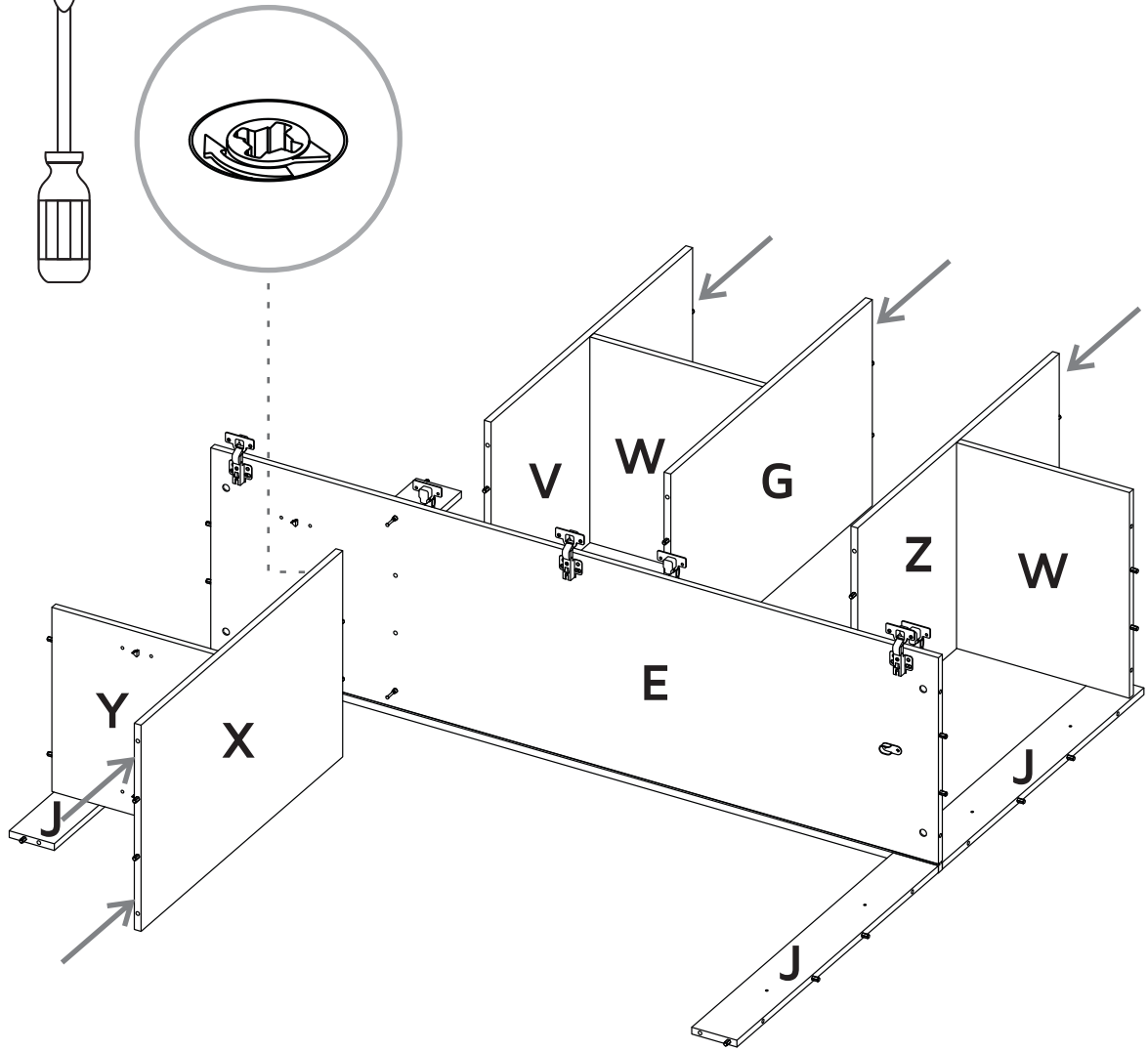


Rotate to tighten.  
Gire para apretar.

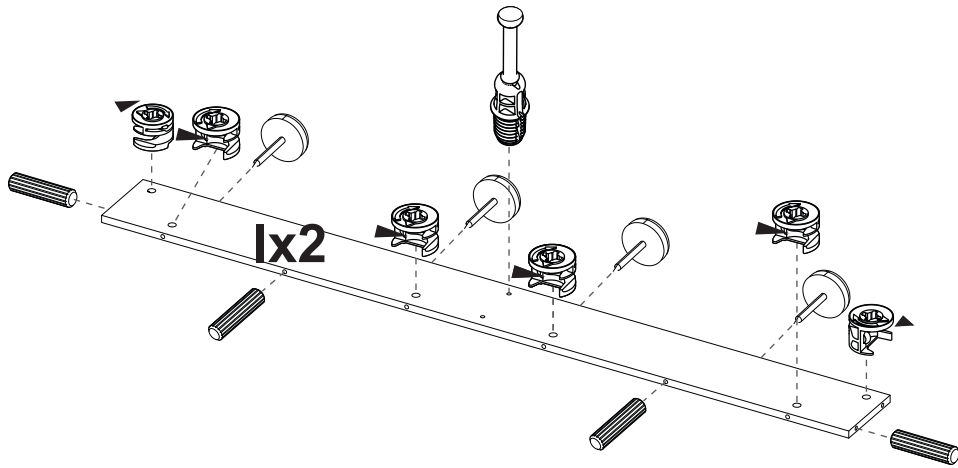




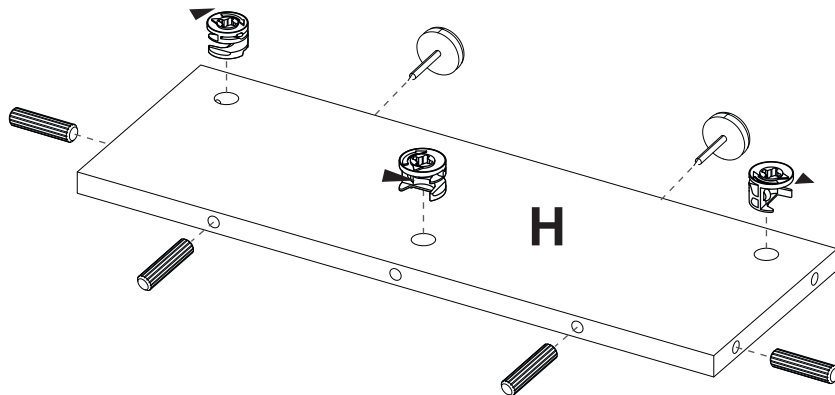
Rotate to tighten.  
Gire para apretar.



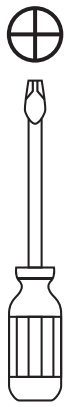
18



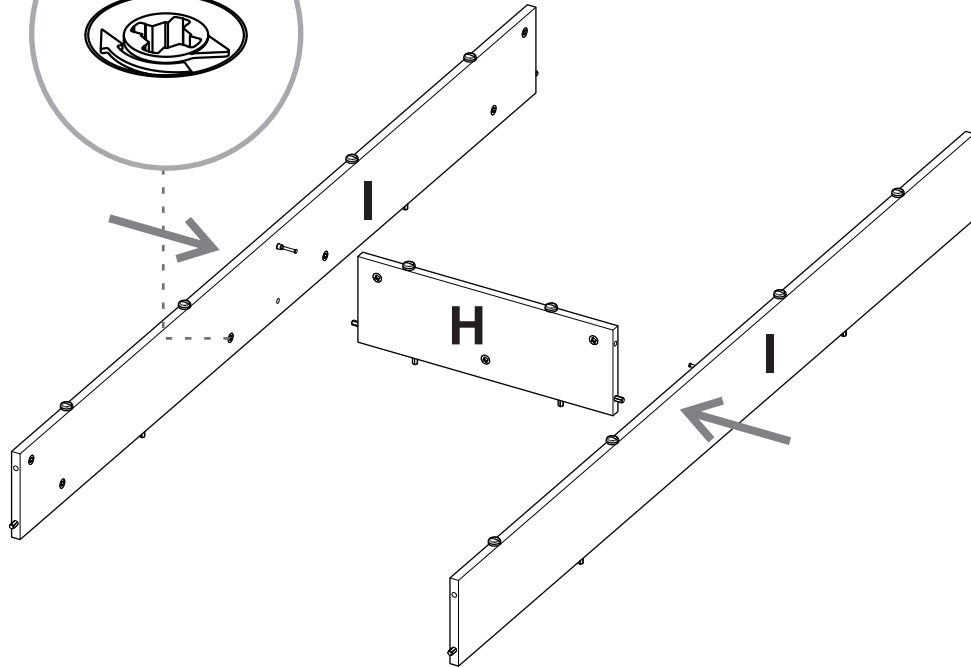
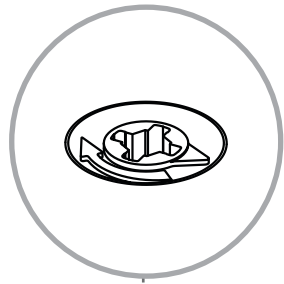
19



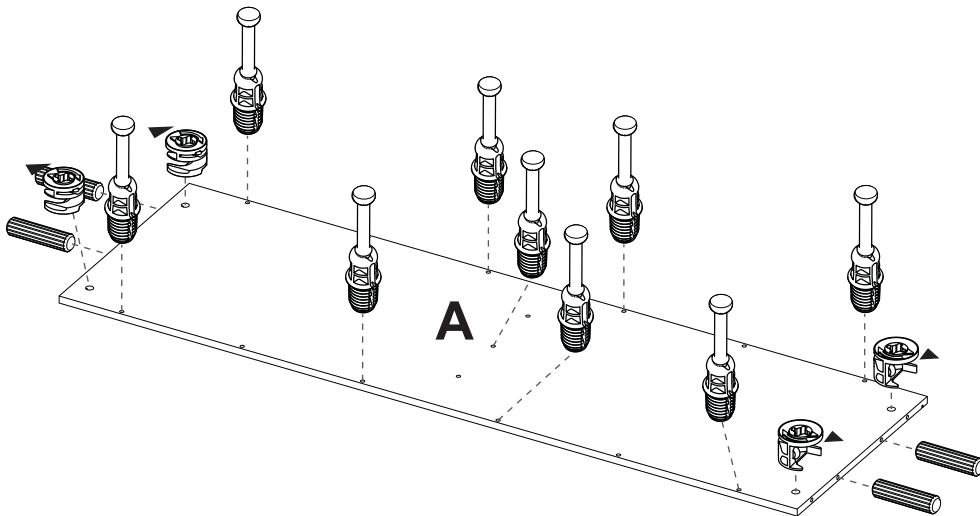
20



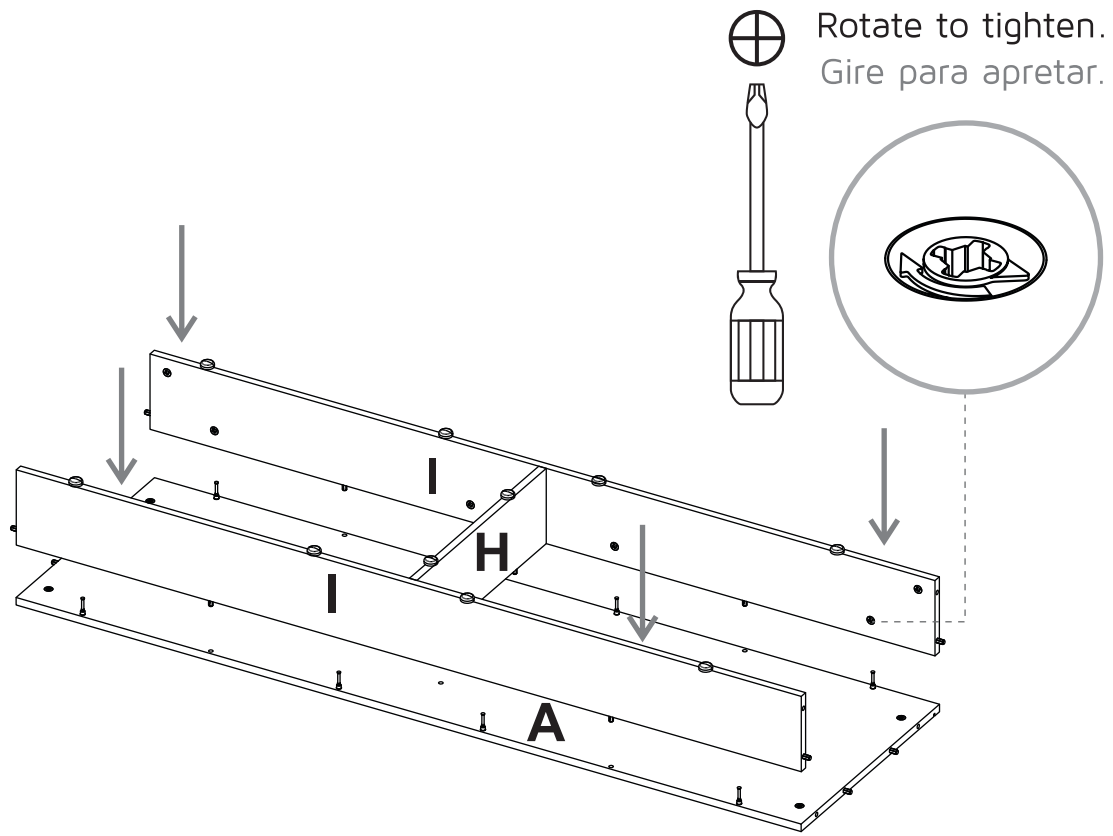
Rotate to tighten.  
Gire para apretar.



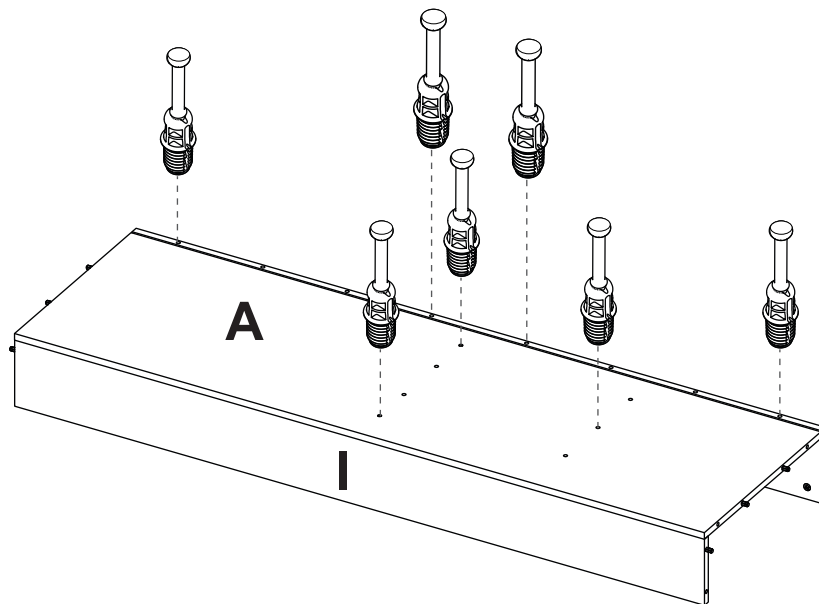
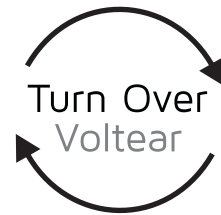
21



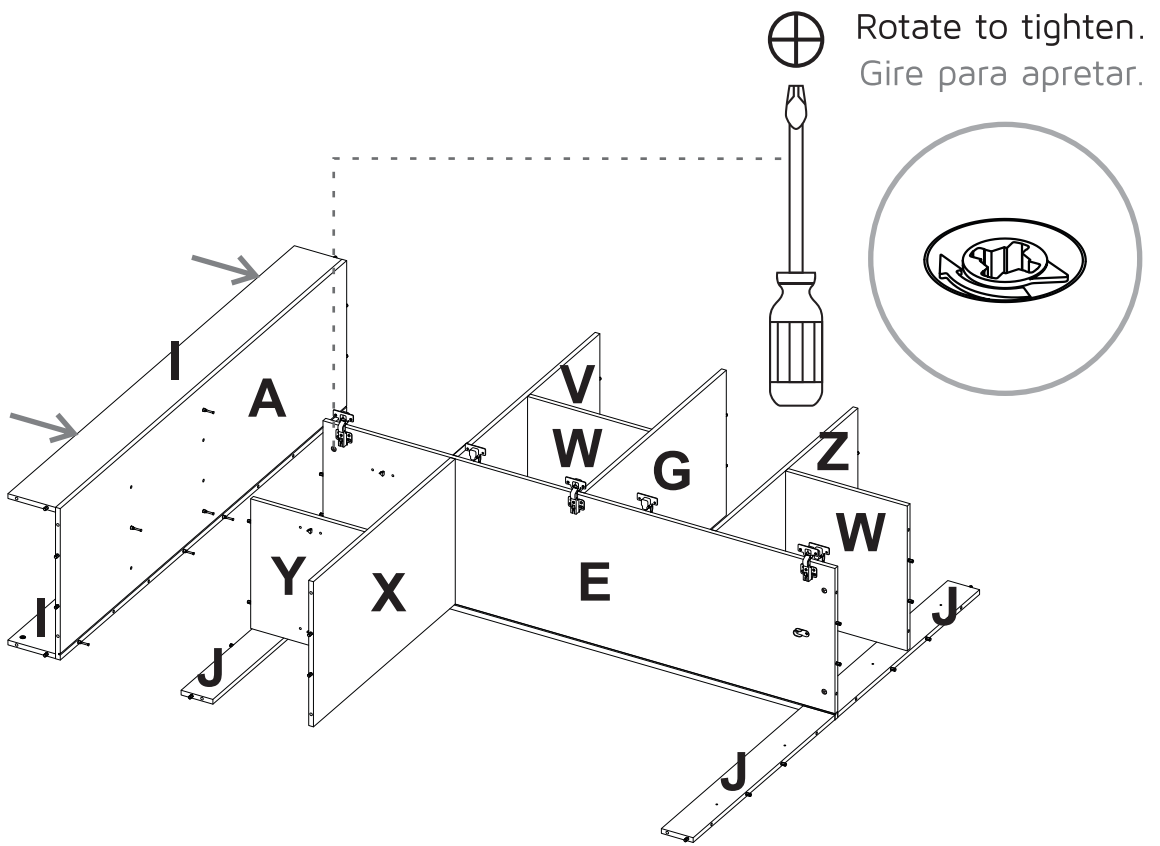
22



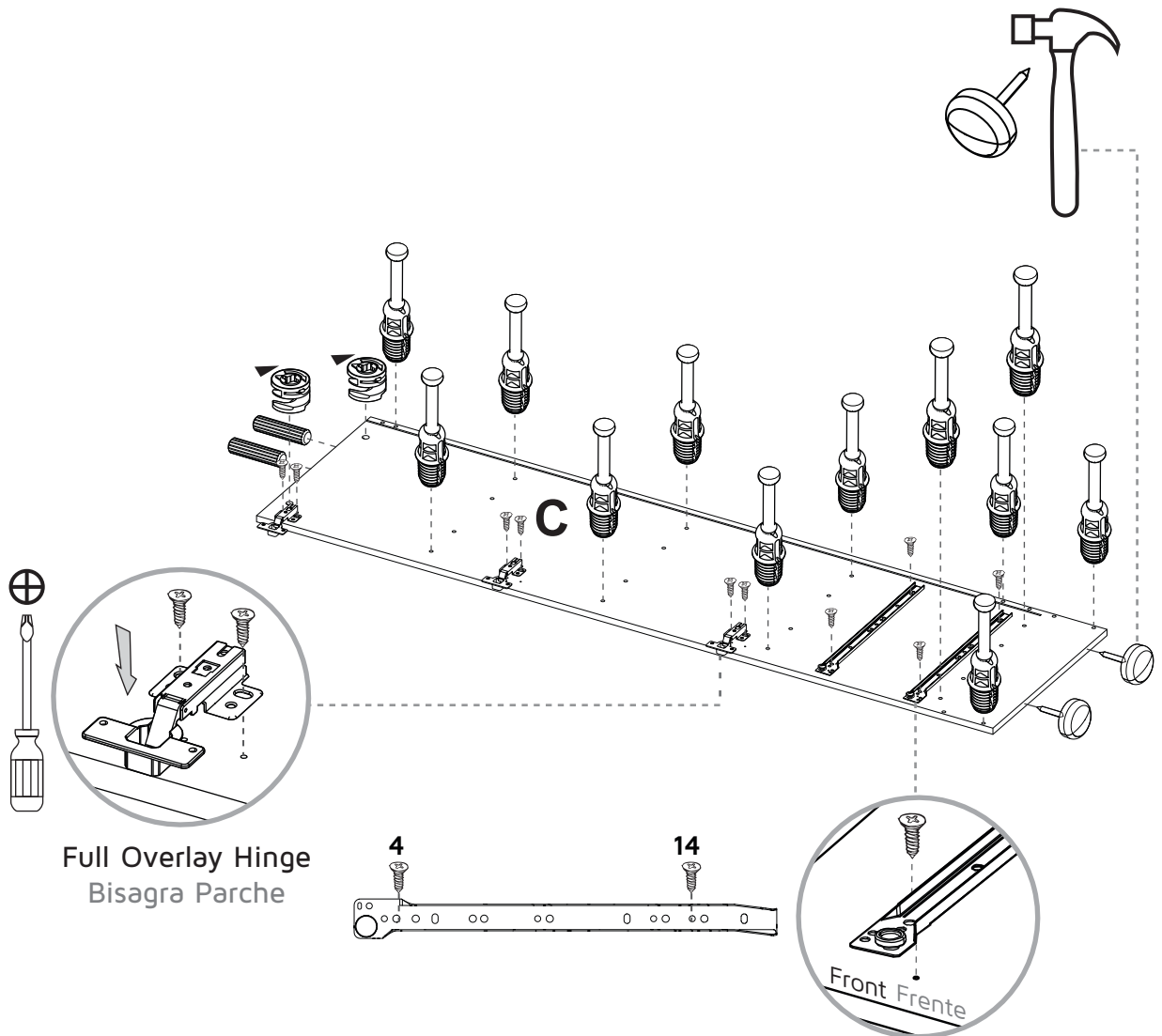
23



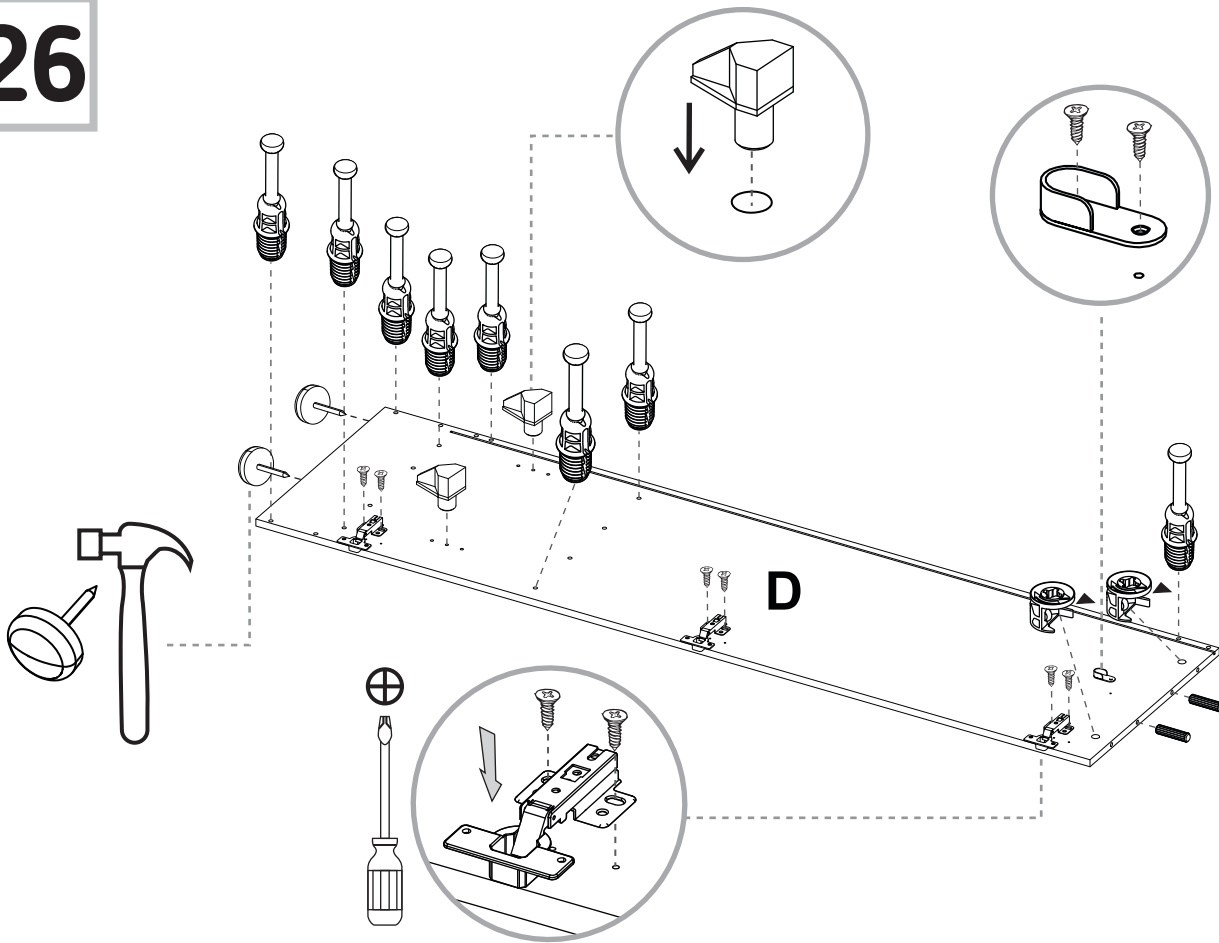
24



25

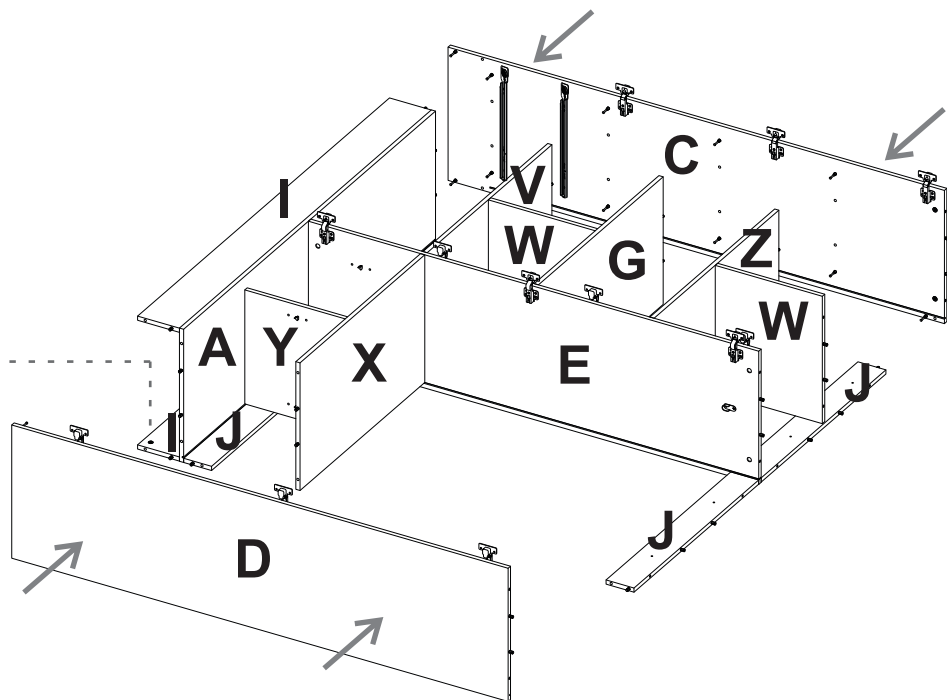
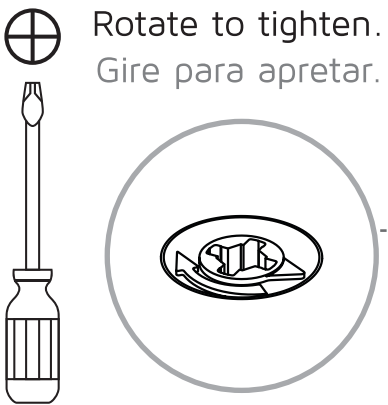


26

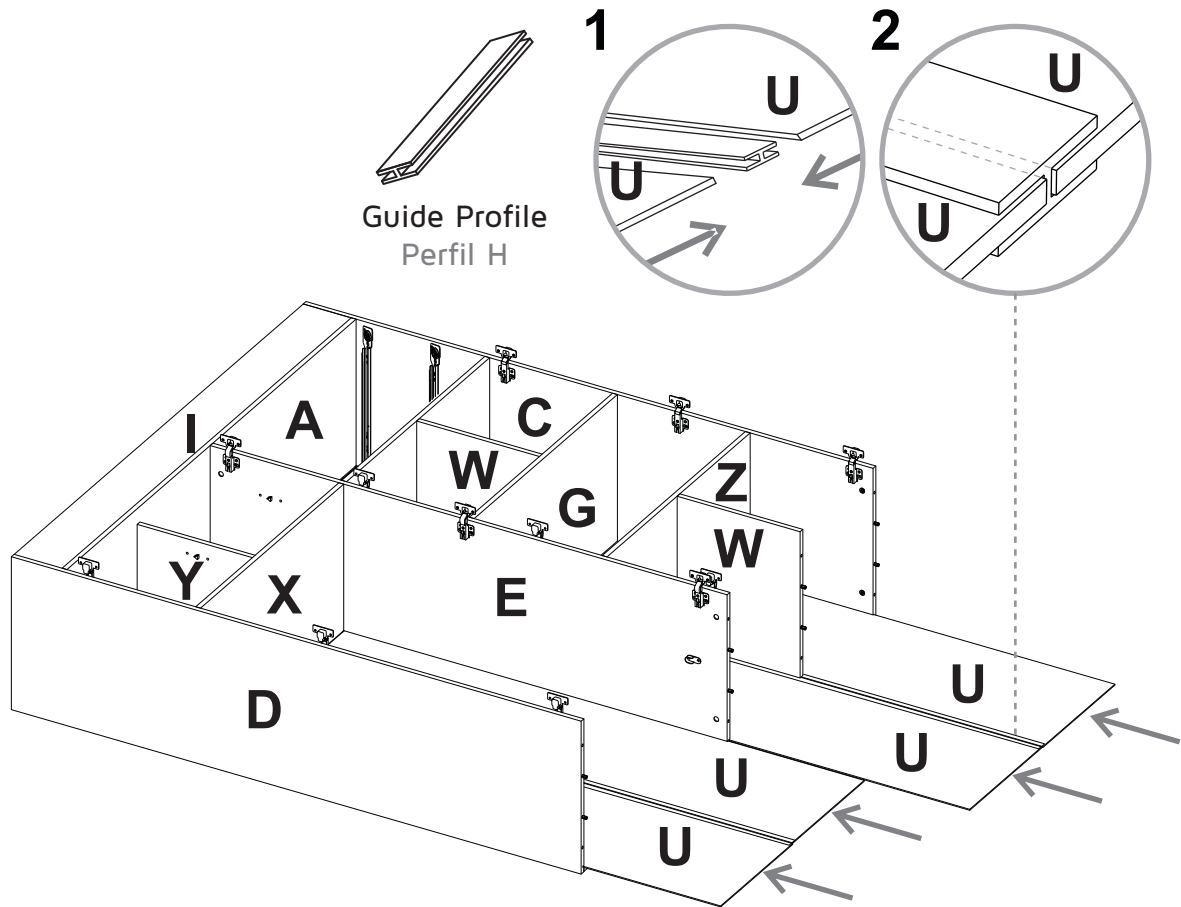


Full Overlay Hinge  
Bisagra Parche

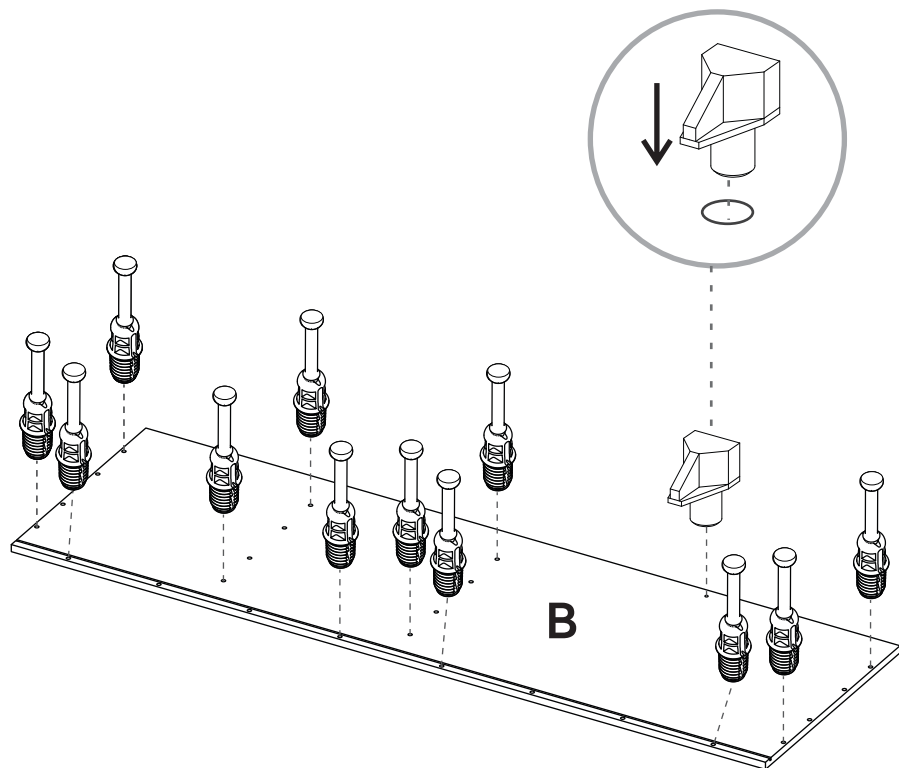
27



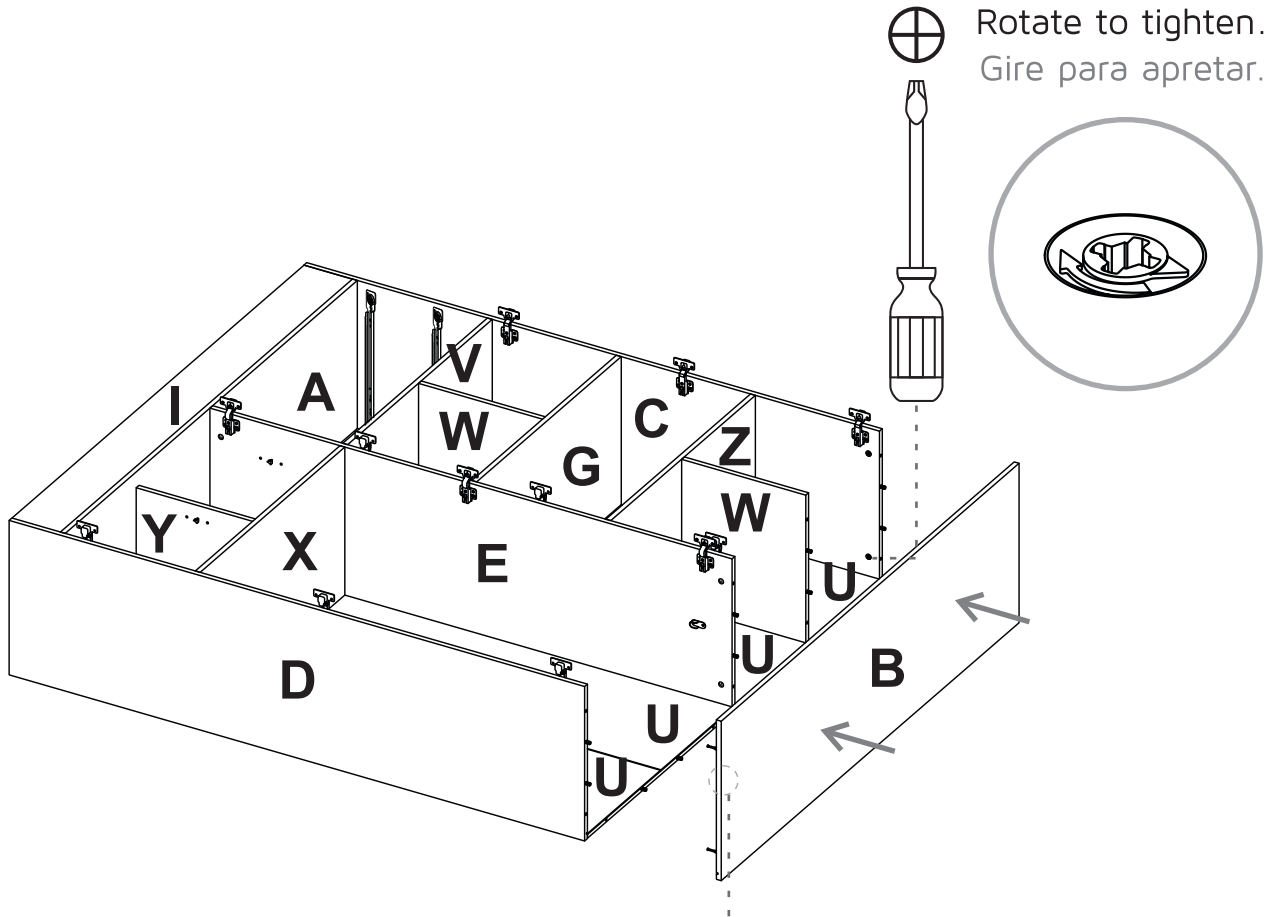
# 28



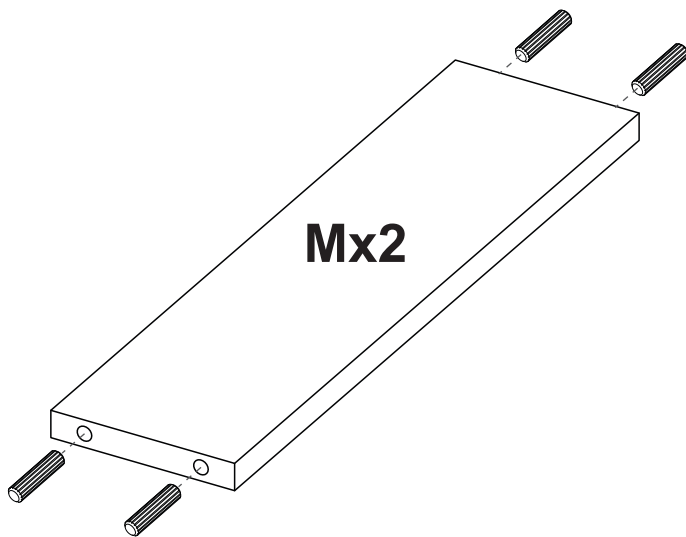
# 29



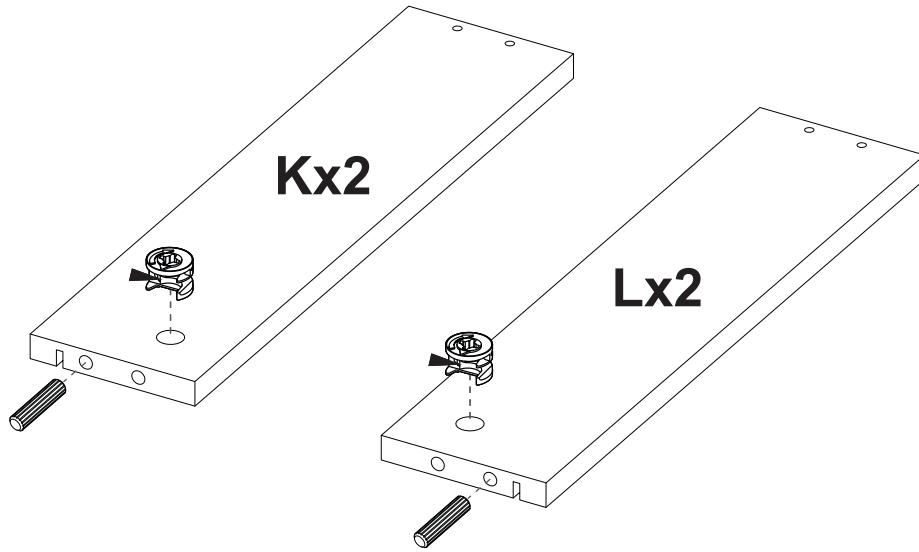
**30**



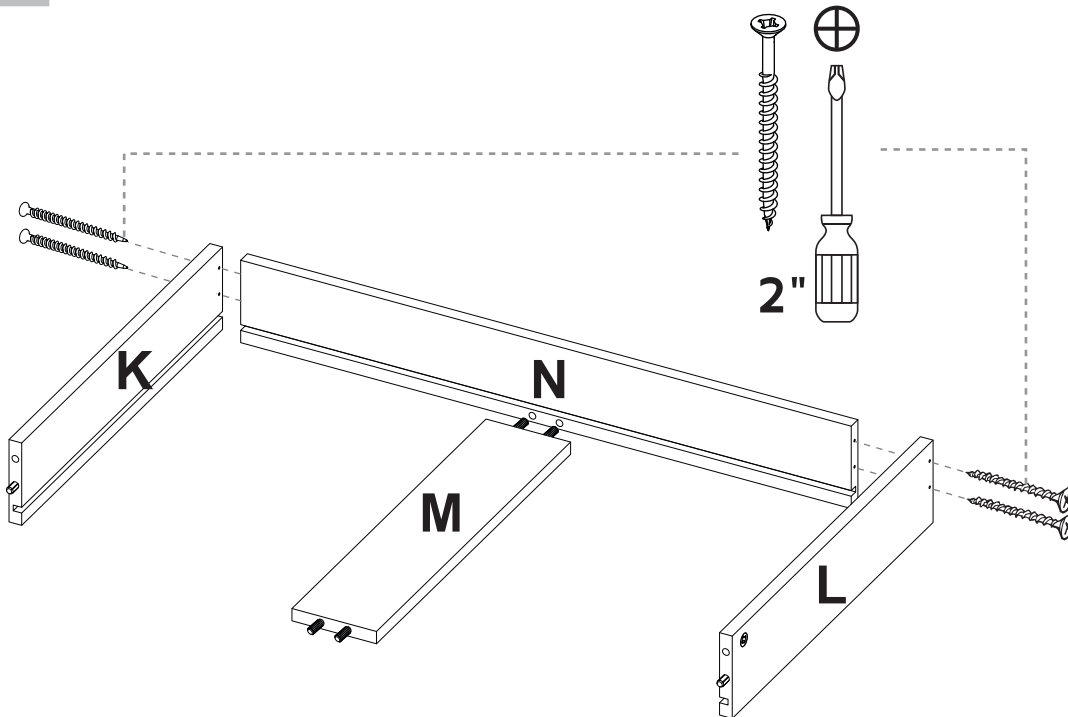
**31**



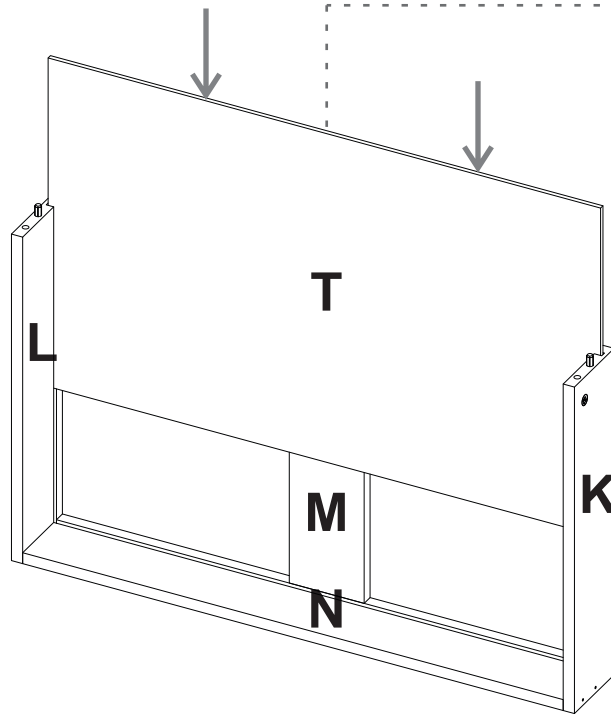
**32**



**33** **x2**

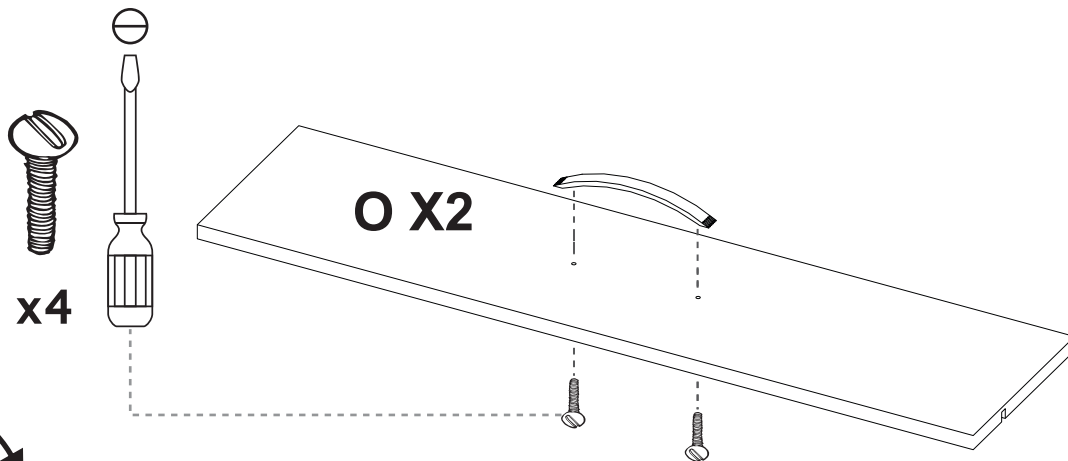


**34** **x2**

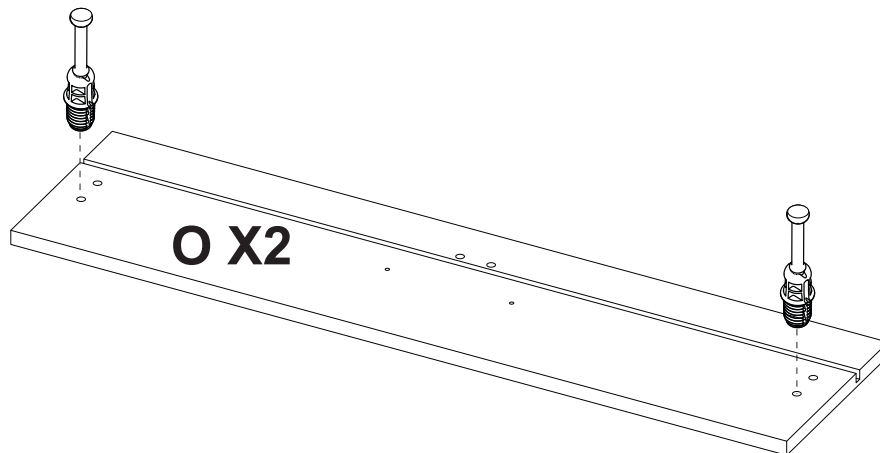


Slide the back panels  
inside the drawer  
Deslice los fondos  
dentro del cajón

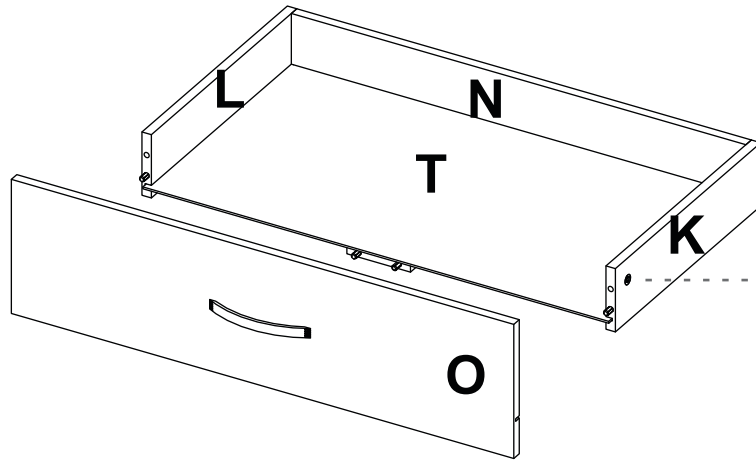
**35**



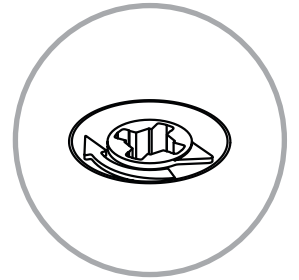
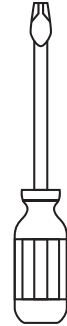
Turn Over  
Voltrear



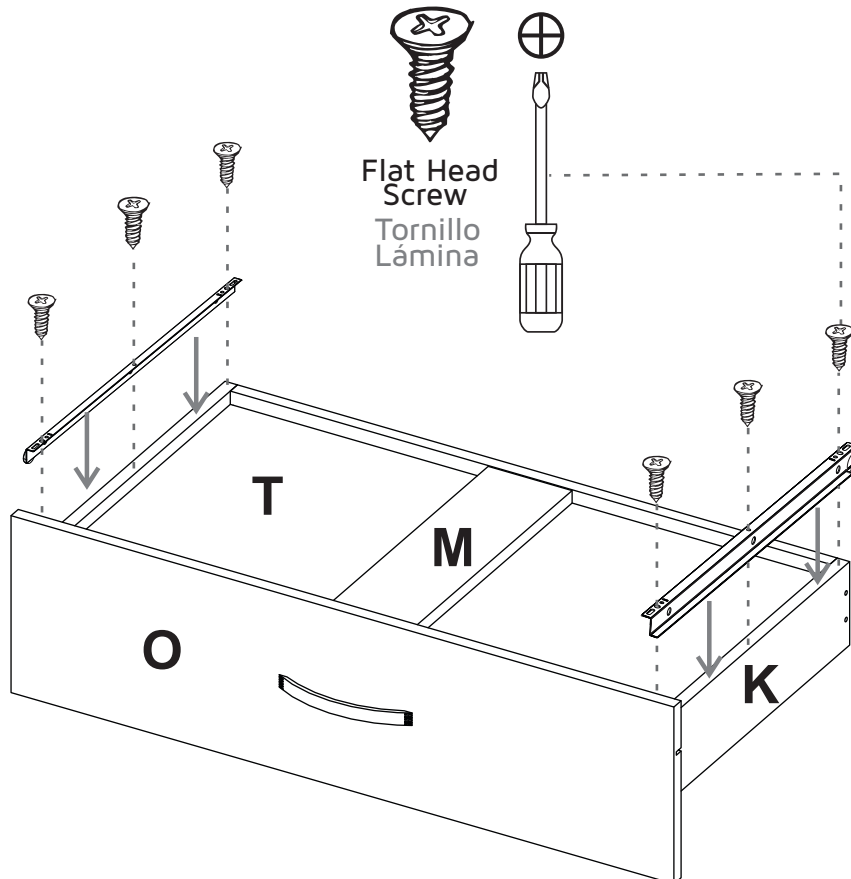
**36** **x2**



Rotate to tighten.  
Gire para apretar.



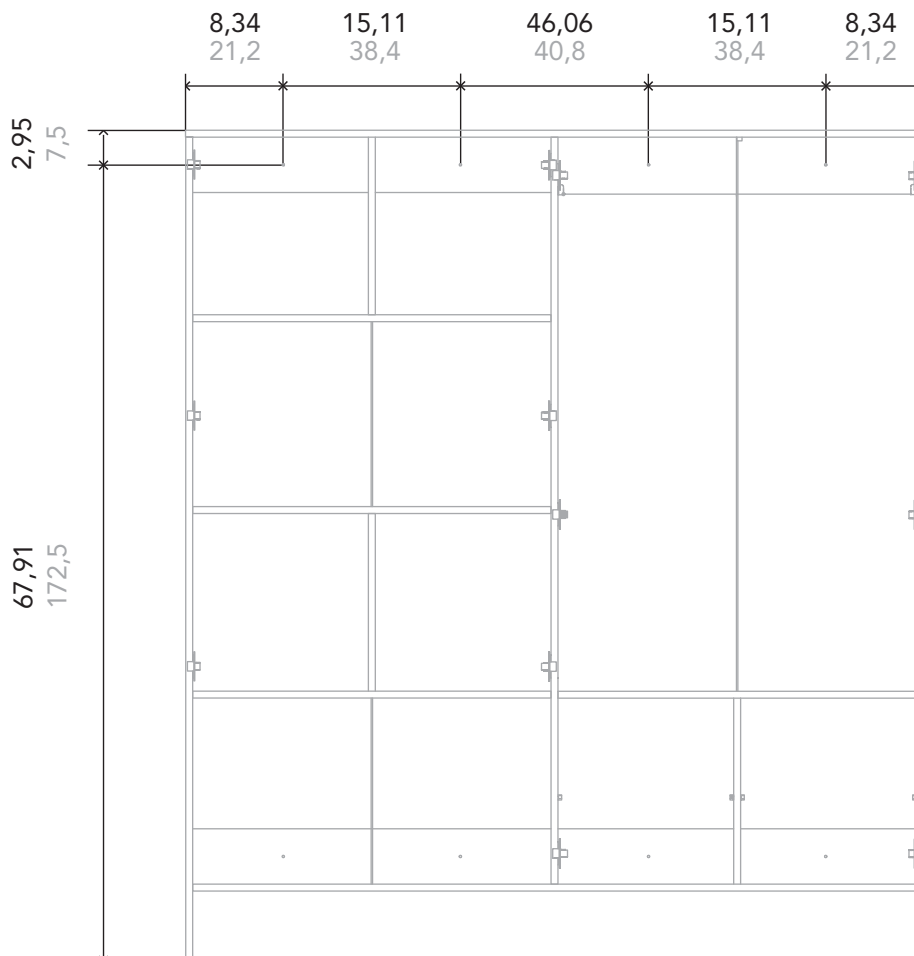
**37** **x2**



Flat Head  
Screw  
Tornillo  
Lámina

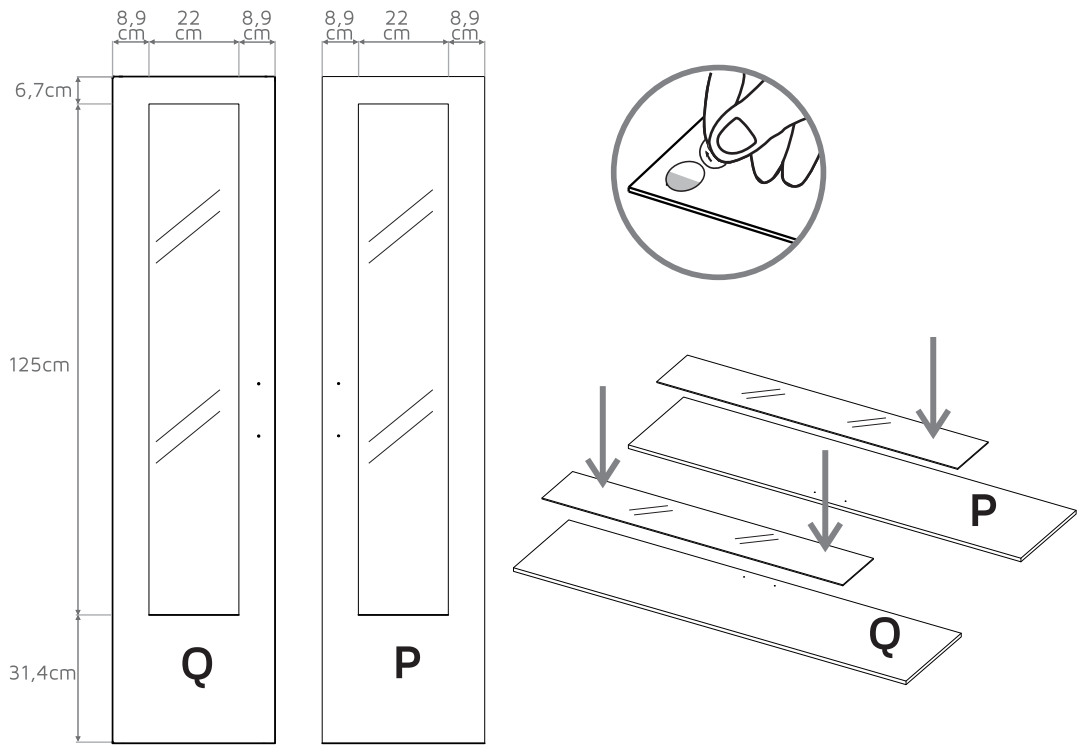
## Fix your cabinet to the wall Fija el mueble a la pared

- 1 You must drill the bottoms guided by the holes in the structures with a 3/16" drill bit.  
Debes perforar los fondos guiandote de las perforaciones de las estructuras con una broca 3/16".
- 2 On the wall, measure and mark the points shown below.  
En la pared, mide y marca los puntos que te indicamos abajo.
- 3 Drill on the markings with a 5/16" drill bit.  
Debes perforar en los puntos con taladro y una broca de 5/16".
- 4 Insert the wall anchors inside the drillings.  
Inserta los chazos plásticos en las perforaciones.
- 5 Place the cabinet and secure it with the screws  
Ubica el mueble y asegúralo con los tornillos

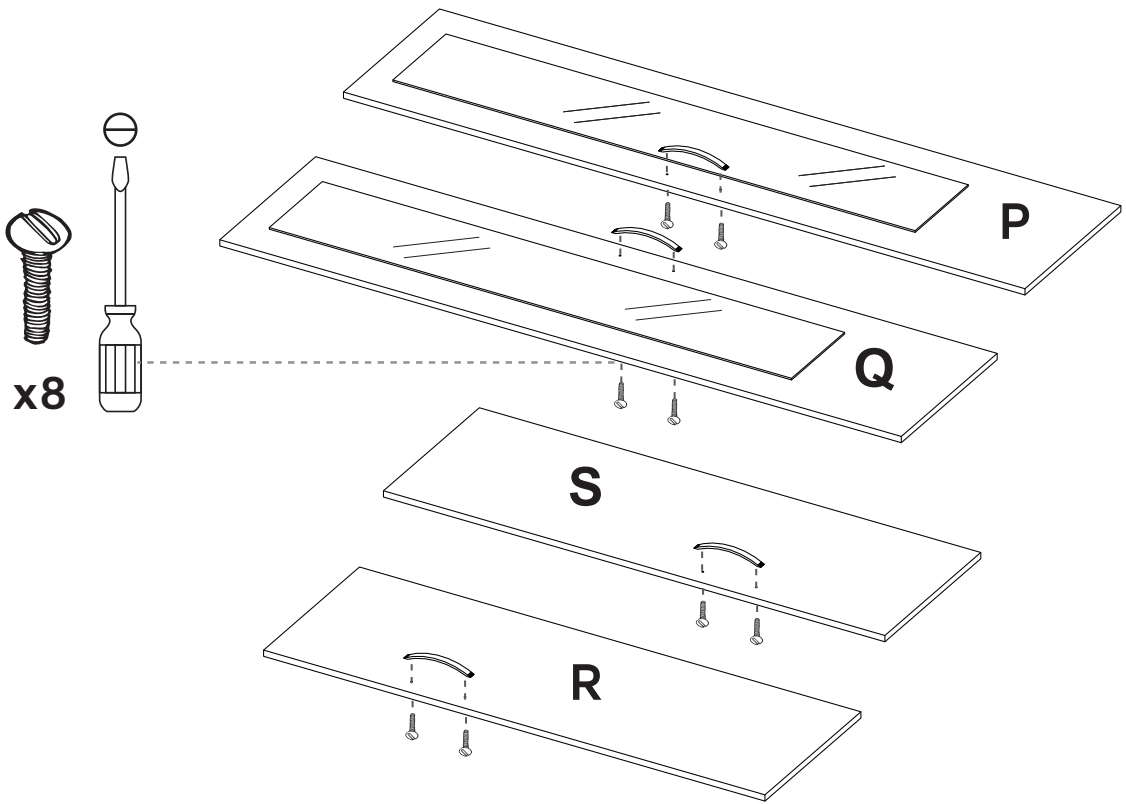


Dimensions in inches.  
Dimensiones en centímetros.

# 39



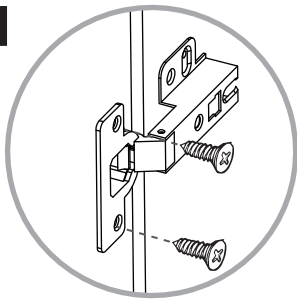
# 40



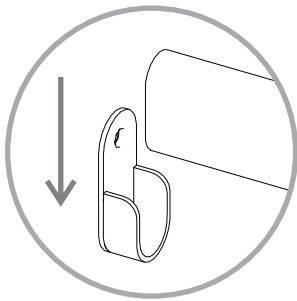
# 41

## Door installation Instalación de las puertas

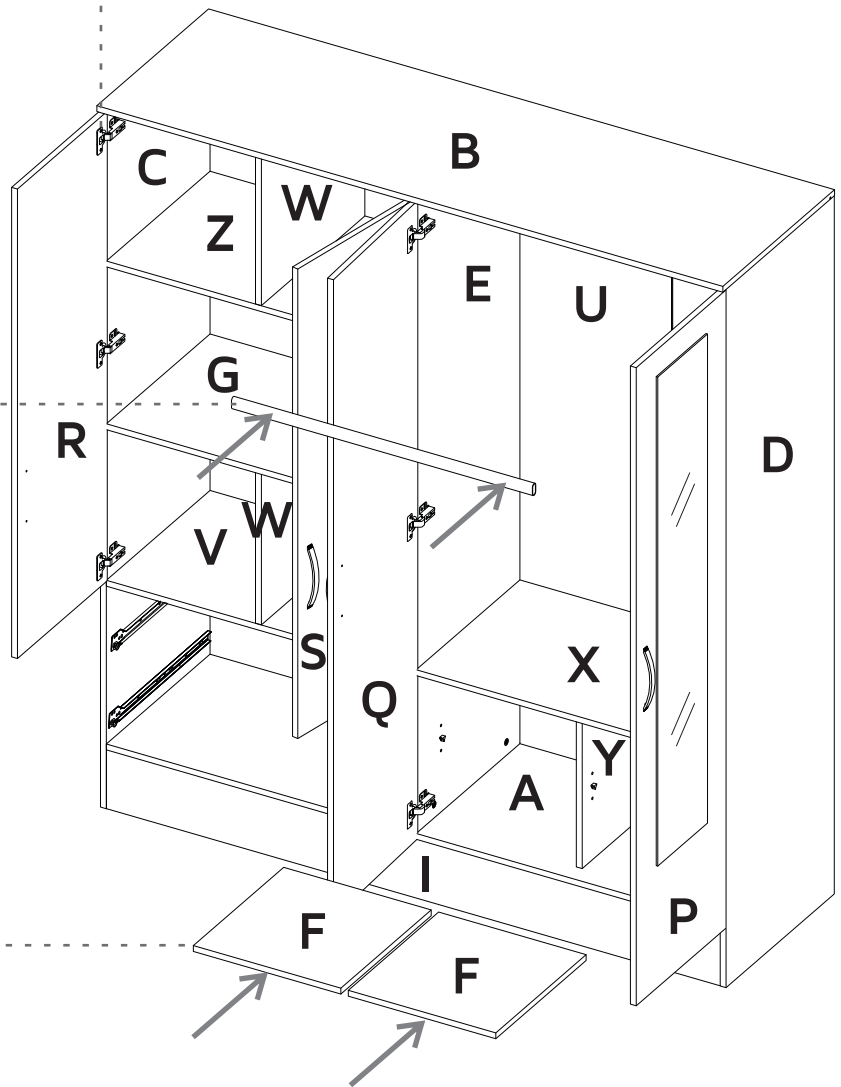
1



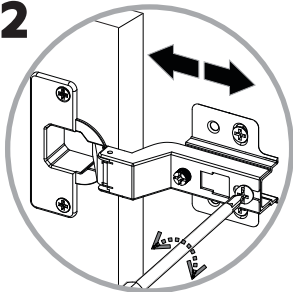
Hinge adjustment  
Ajuste de las bisagras



Slide the shelves  
inside the cabinet  
Deslice los entreaños  
dentro del mueble

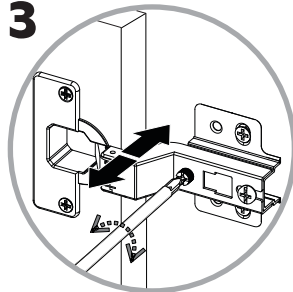


2



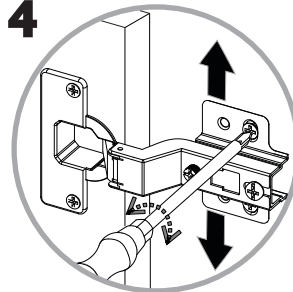
Depth adjustment  
Ajuste de profundidad

3



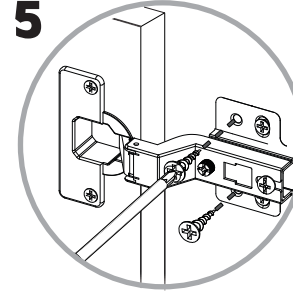
Side adjustment  
Ajuste lateral

4



Height adjustment  
Ajuste de altura

5

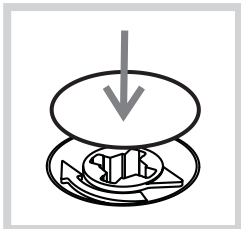
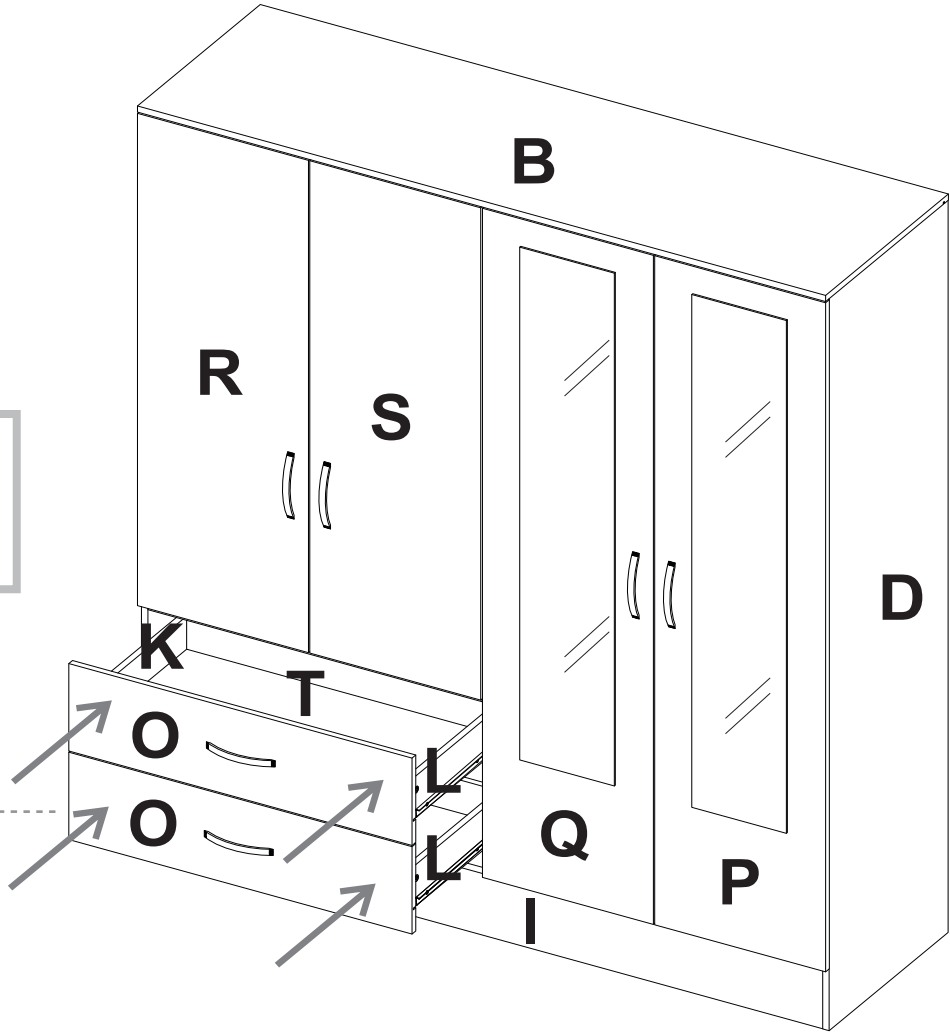


Secure Hinge  
Asegure la bisagra

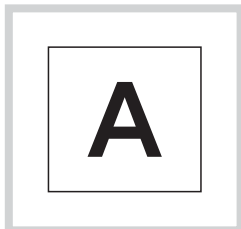
**CAREFULLY FLIP THE FURNITURE**  
**VOLTEAR EL MUEBLE CUIDADOSAMENTE**



Slide the drawers  
inside the cabinet  
Deslice los cajones  
dentro del mueble



After you finish the adjustment  
of the cams, cover them with  
the cover caps.  
Después de ajustar todas las  
cajas minifix, cúbralas con las  
tapas adhesivas.



After you finish assembling the  
cabinet, take off the adhesive  
letters.  
Al terminar de armar, desprenda  
las letras adhesivas.

# WARRANTY POLICY

## PÓLIZA DE GARANTÍA

Furniture has a 1 year warranty coverage in wooden parts and hardware pieces since its manufacturing date, which you can see in the lot number printed on the product box and the assembly instructions leaflet.

Warranty covers materials and workmanship imperfections which impair the assembly or correct functioning of the cabinet.

This warranty is not valid if the defects or imperfections are caused by the incorrect following of the assembly instructions, warnings and recommendations, misuse, intentional damage, fire or flood, or after modifications or any kind of alteration, or repaired by someone not authorized, when it's been assembled 3 months after the date of purchase. These defects **MUST** be reported before the warranty coverage period ends. Once the product has been assembled, the company will not be responsible for defective and/or damaged parts.

This warranty is **ONLY** valid for the **ORIGINAL PURCHASER**, it doesn't apply if the product has been resold, rented, etc.

Furniture will take no liability for incidental or consequential damages caused to or by the product (This may not apply in your state).

To make this warranty valid you must write to our customer service email describing the product defect, lot number and submitting your sales receipt or proof of purchase, or contact us at our customer service line. Replaced parts will be under the product's original warranty coverage period. Damaged parts will become property of the company.

There are no other warranties applicable to this product.