

# ASSEMBLY INSTRUCTIONS

## INSTRUCCIONES DE ENSAMBLE



Height: 71,1 in      Alto: 180,6 cm  
Width: 47,3 in      Ancho: 120 cm  
Depth: 19,45 in      Fondo: 49,4 cm

LOT N°

**IF ANY PARTS ARE BROKEN OR  
MISSING PLEASE CONTACT US**

AT: 1-888-391-01-66 /

[customerservicetuhome@rta.com.co](mailto:customerservicetuhome@rta.com.co)

**OUR CUSTOMER SERVICE TEAM WILL PROVIDE  
YOU HELP TO RESOLVE ANY ISSUES IMMEDIATELY**

**BOLTON 120 MIRRORED ARMOIRE**  
**Armario con Espejo Bolton 120**



## IMPORTANT RECOMMENDATIONS

Do not paint the cabinet.

The cabinet **MUST** be used exclusively indoors, do not expose to direct sun.

Clean metallic hardware with a dry cloth.

Do **NOT** overload the cabinet (see suggested loads).

Do not hit or hammer the cabinet (just when indicated).

Clean with a slightly damp cloth, use gentle soaps.

Do not drag, lift and move between two people.

Avoid direct contact with water, fire or exposure to heat sources.

## RECOMENDACIONES IMPORTANTES

No pintar el mueble.

El mueble debe ser usado únicamente en interiores, no exponer al sol directo.

Limpiar los herrajes metálicos con un paño seco.

**NO** sobrecargar el mueble (ver las cargas sugeridas).

No golpear ni martillar el mueble (solo cuando se indique).

Limpiar con un paño ligeramente húmedo, usar jabones suaves.

No arrastre el mueble, levántelo entre dos personas.

Evite el contacto directo con el agua, el fuego o la exposición a fuentes de calor.



### WARNING

Never allow children to climb or manipulate the cabinet, furniture tip over can cause serious injuries or death.



### ADVERTENCIA

Nunca permita que los niños escalen o manipulen el mueble, la caída de este puede provocar lesiones graves o la muerte.

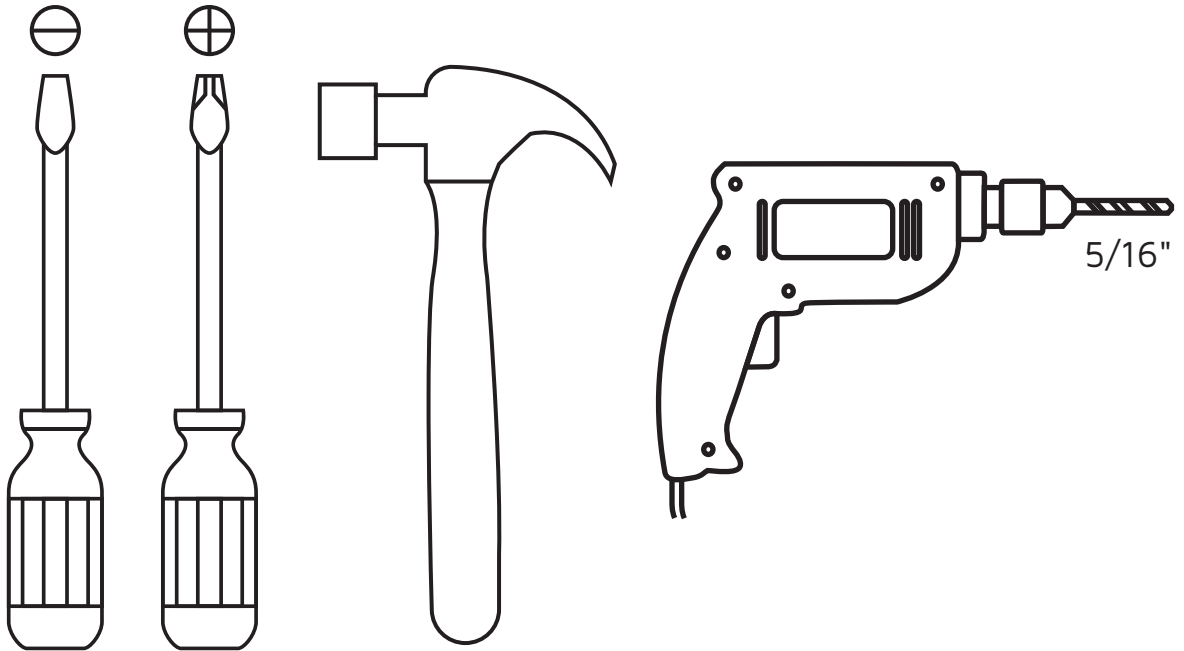
# INDEX

# ÍNDICE

Assembly Hardware .....	4	Herrajes para Armado.....	4
Assembly Parts .....	5	Piezas de Armado.....	5
Suggested Loads.....	6	Cargas Sugeridas.....	6
Assembly Recommendations.....	6	Recomendaciones de Ensamble.....	6
Assembly Steps .....	7-28	Pasos de Armado.....	7-28
Warranty.....	29	Garantía .....	29

## REQUIRED TOOLS\*

## HERRAMIENTAS NECESARIAS\*



\*Not included, and not shown actual size.

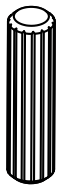
\*No incluidas y no se muestran en tamaño real.

# ASSEMBLY HARDWARE

# HERRAJES PARA ARMADO

Please check that the hardware content is correct. If any item is missing, please call to our customer service line.

Compruebe que el contenido de los herrajes sea el correcto. En caso de que falte alguna pieza, por favor llame a nuestra línea de atención al cliente.



**x72**

Wood Dowel  
Tarugo



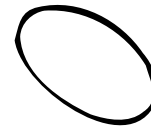
**x51**

Spreading Bolt  
Perno Minifix



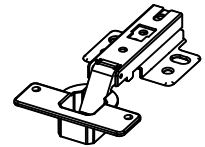
**x51**

Minifix Cams  
Minifix



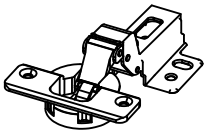
**x51**

Cover Caps  
Tapa Adhesiva Minifix



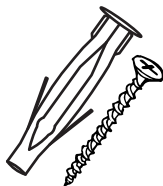
**x6**

Full Overlay Hinge  
(Screws included)  
Bisagra Parche  
(Incluye Tornillos)



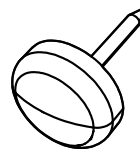
**x3**

Half Overlay Hinge  
(Screws included)  
Bisagra  
Semi-Parche  
(Incluye Tornillos)



**x3**

Chazo Mariposa+  
Tornillo Ensamble  
Drywall Screw+  
Wall Anchor



**x10**

Nail-on Glide  
Deslizador  
Puntilla



**x8**

2" Drywall Screw  
Tornillo de  
Ensamble 2"



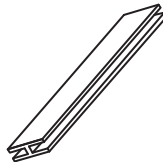
**x4**

Flat Head  
Screw  
Tornillo Lámina



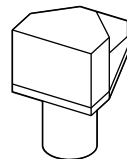
**x5**

Handle  
(Screws included)  
Manija  
(Incluye Tornillos)



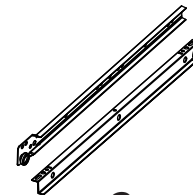
**x1**

Guide Profile  
Perfil H/



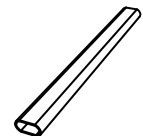
**x9**

Shelf support  
Soporte Entrepaño



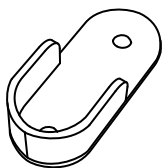
**x2**

Drawer Slides  
(Screws included)  
Riel  
(Incluye Tornillos)



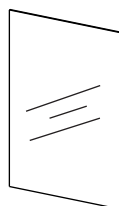
**x1**

Closet Rod  
Tubo  
Ovalado



**x2**

Rod Support  
Soporte Tubo



**x1**

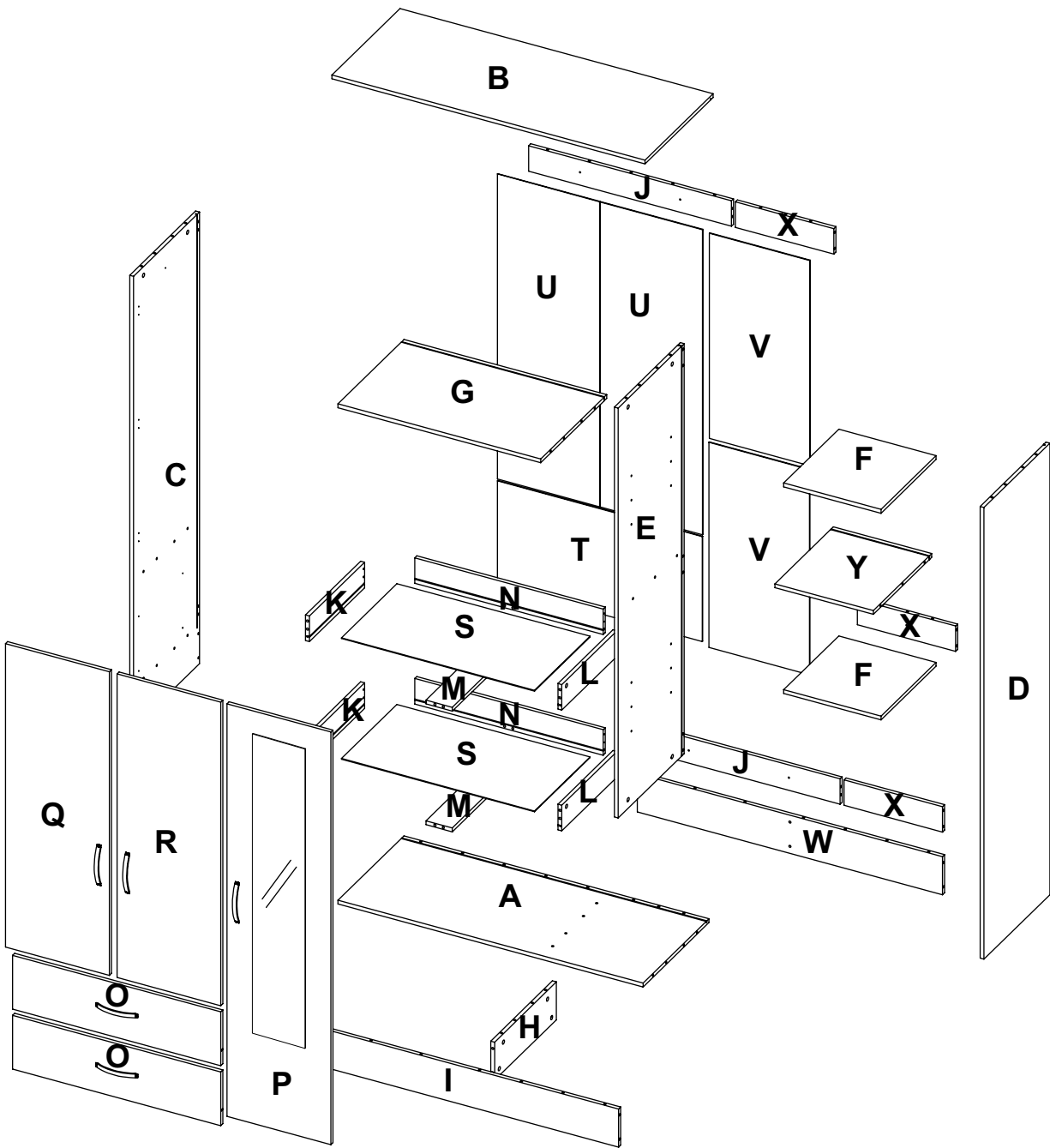
Mirror  
Espejo

Hardware items are NOT shown actual size.

Los herrajes no se muestran en el tamaño real.

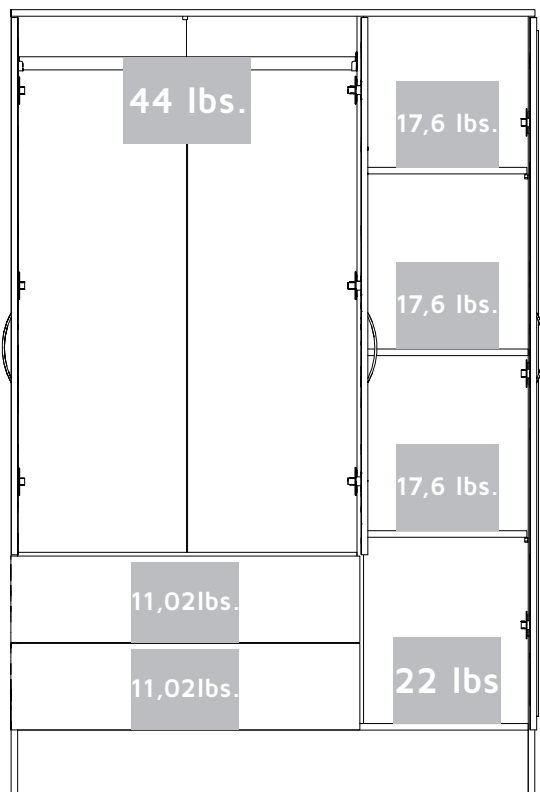
# ASSEMBLY PARTS

# PIEZAS DE ARMADO

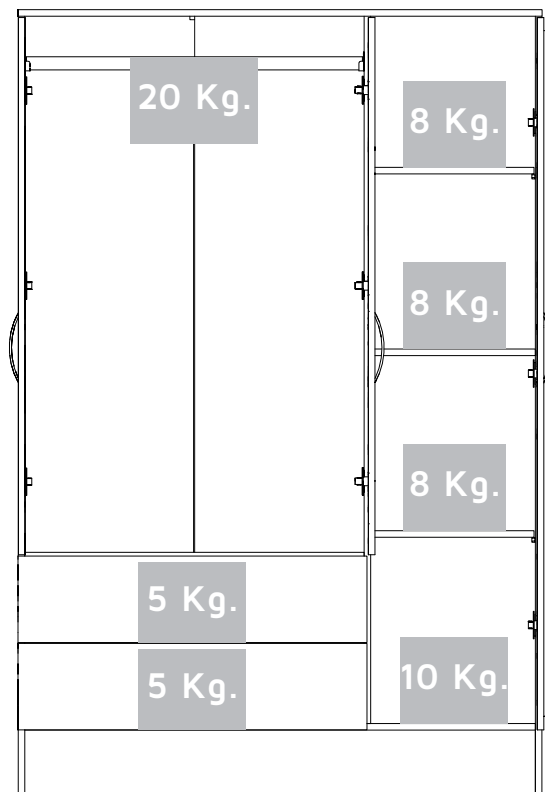


A - x1	G - x1	M - x2	S - x2	Y - x1
B - x1	H - x1	N - x2	T - x1	
C - x1	I - x1	O - x2	U - x2	
D - x1	J - x2	P - x1	V - x1	
E - x1	K - x2	Q - x1	W - x1	
F - x2	L - x2	R - x1	X - x3	

## MAX SUGGESTED LOADS



## CARGAS MÁXIMAS SUGERIDAS



## ASSEMBLY RECOMMENDATIONS

Two people are recommended to assemble the product.

Assemble the cabinet on a flat, smooth surface, preferably on a carpeted floor or the carton box of the product.

Carefully read the assembly instructions and identify every wood and hardware part before start assembling the cabinet.

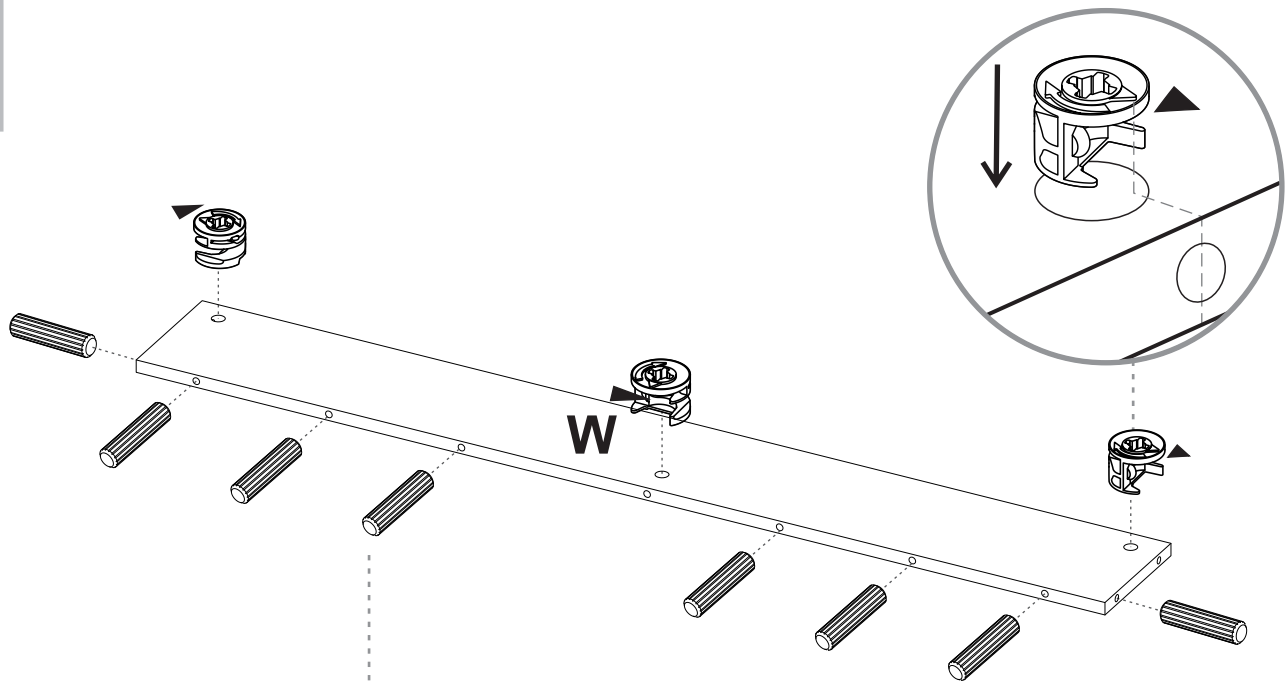
## RECOMENDACIONES DE ENSAMBLE

Ensamble el mueble entre dos personas.

Ensamble el mueble sobre una superficie plana y lisa, preferiblemente sobre un tapete o el cartón de la caja

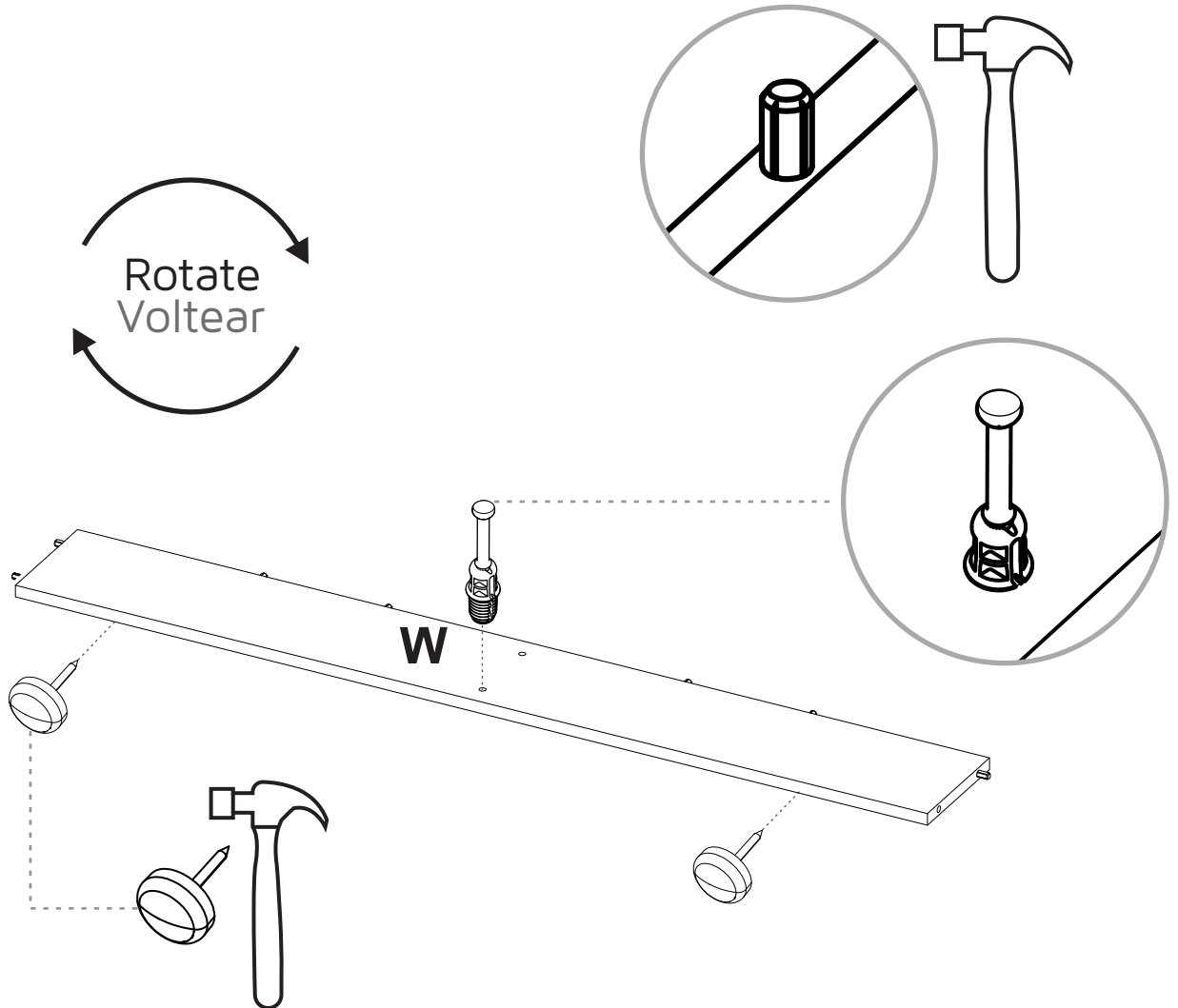
Lea cuidadosamente las instrucciones e identifique todas las piezas y herrajes antes de empezar a armar el mueble.

1

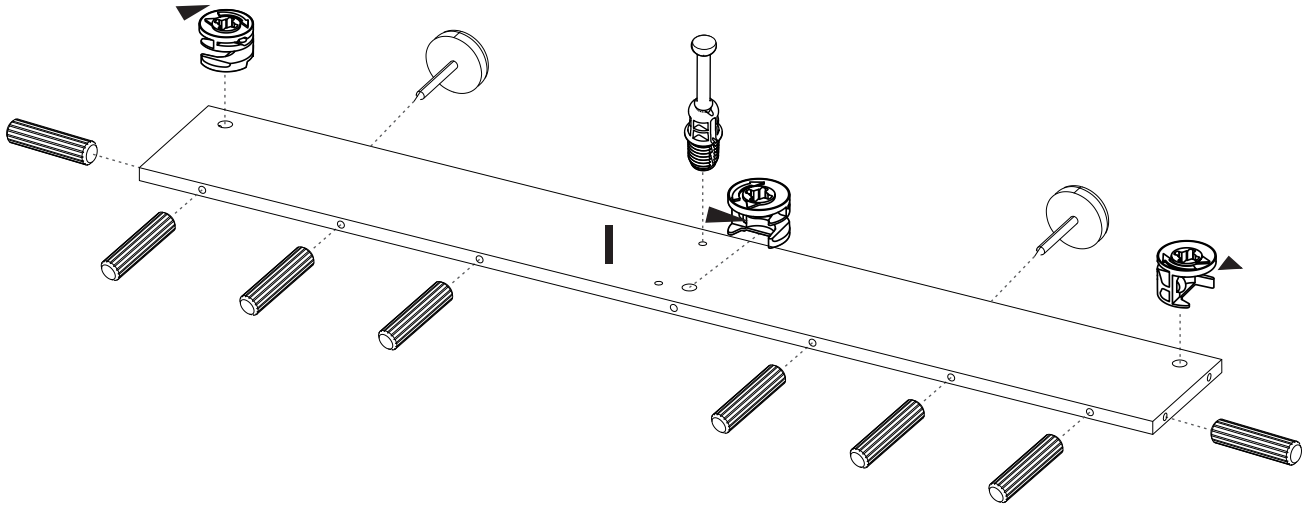


Repeat this in the following steps.  
Repita esto en todos los ensambles

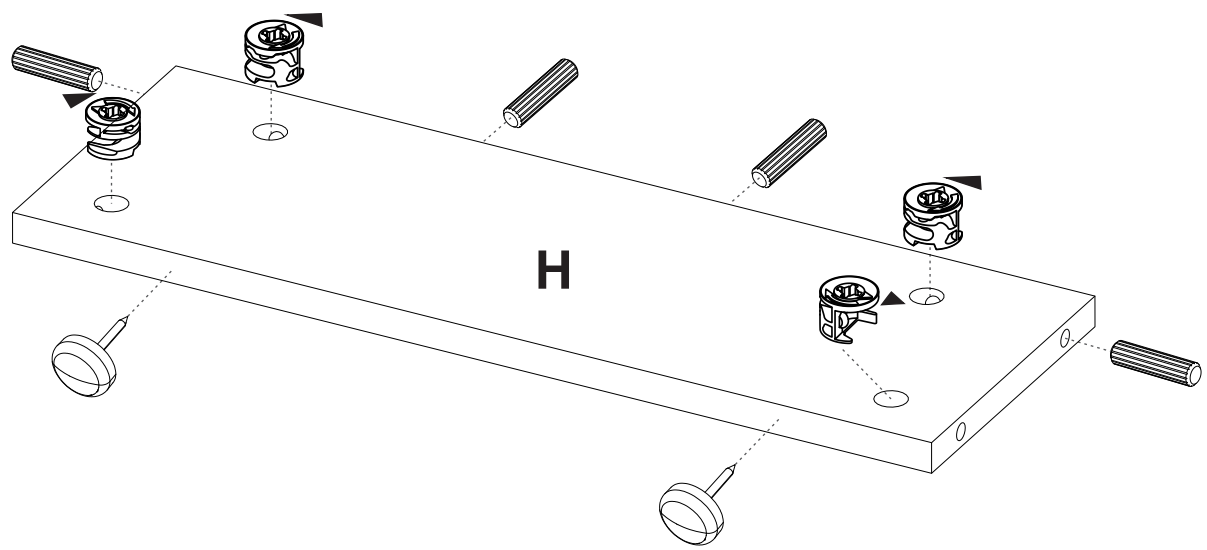
2



3

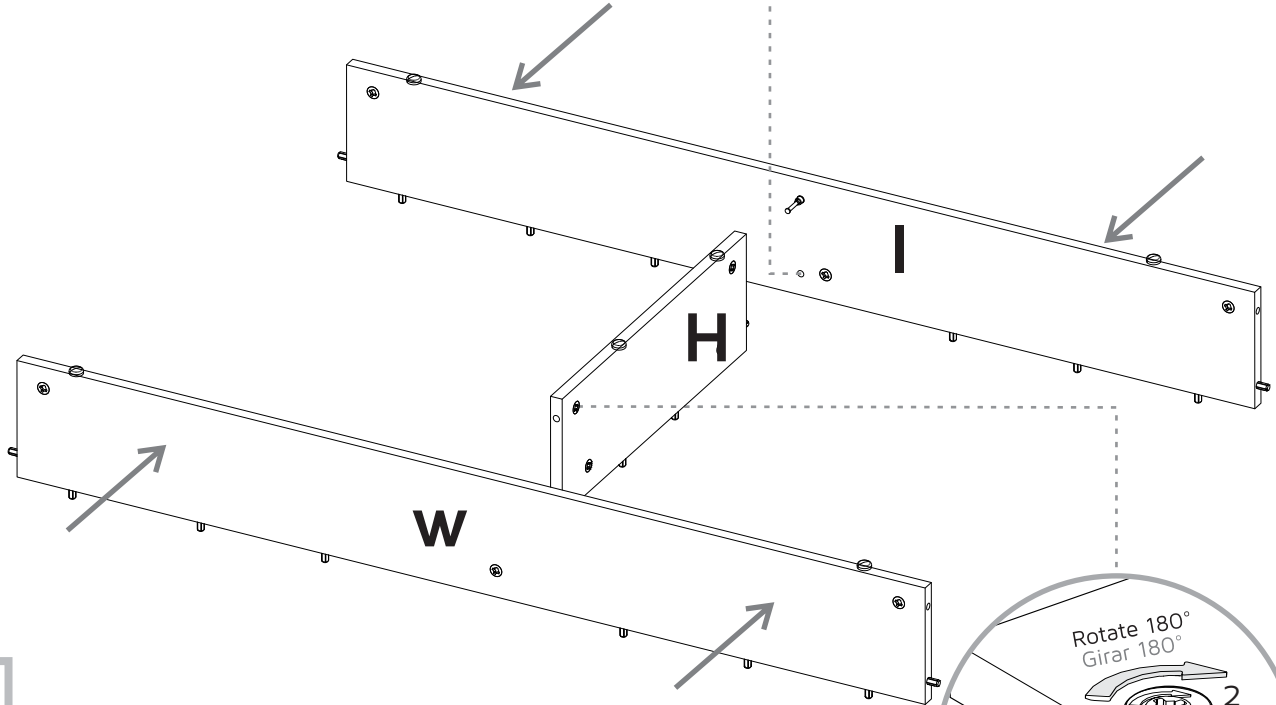


4

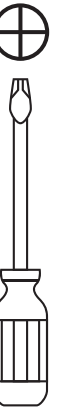
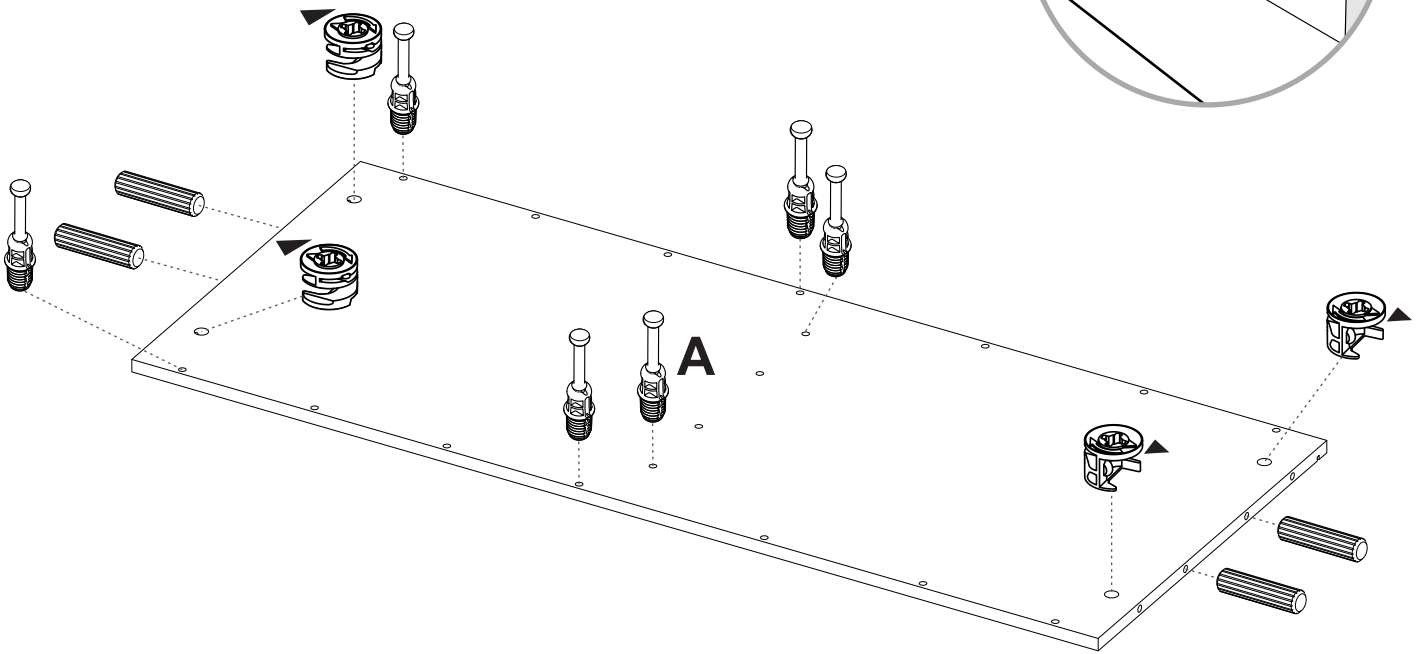


5

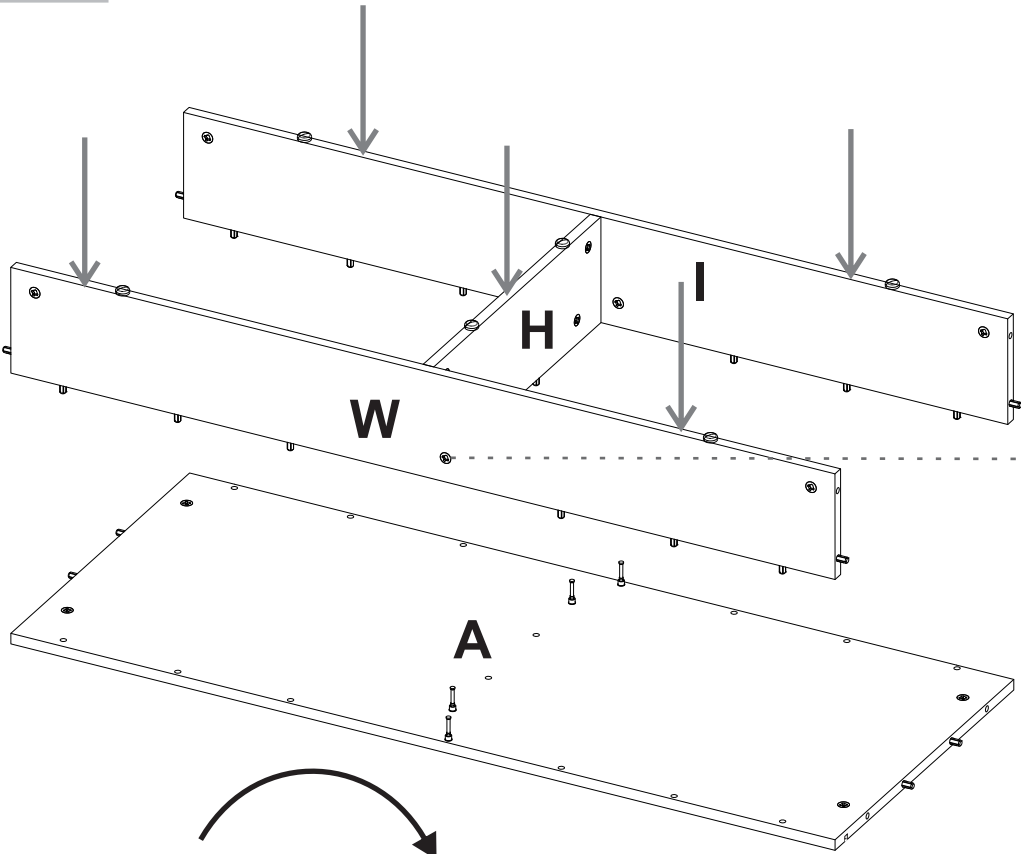
Gently hit the pieces  
to adjust the joint.  
Golpee suavemente la  
pieza para ajustar  
el ensamble.



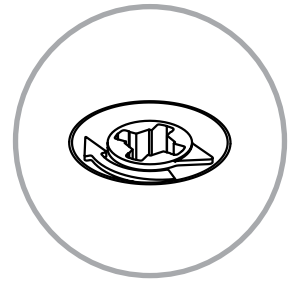
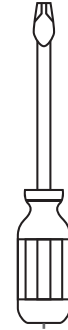
6



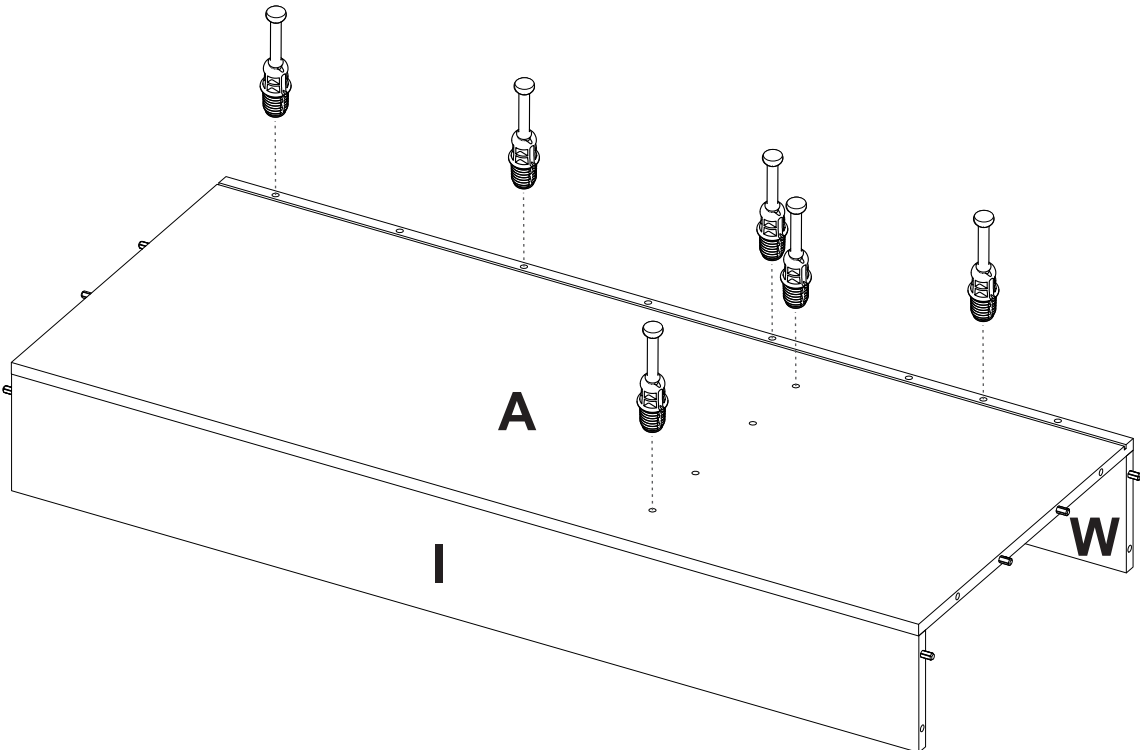
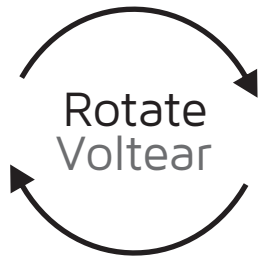
7



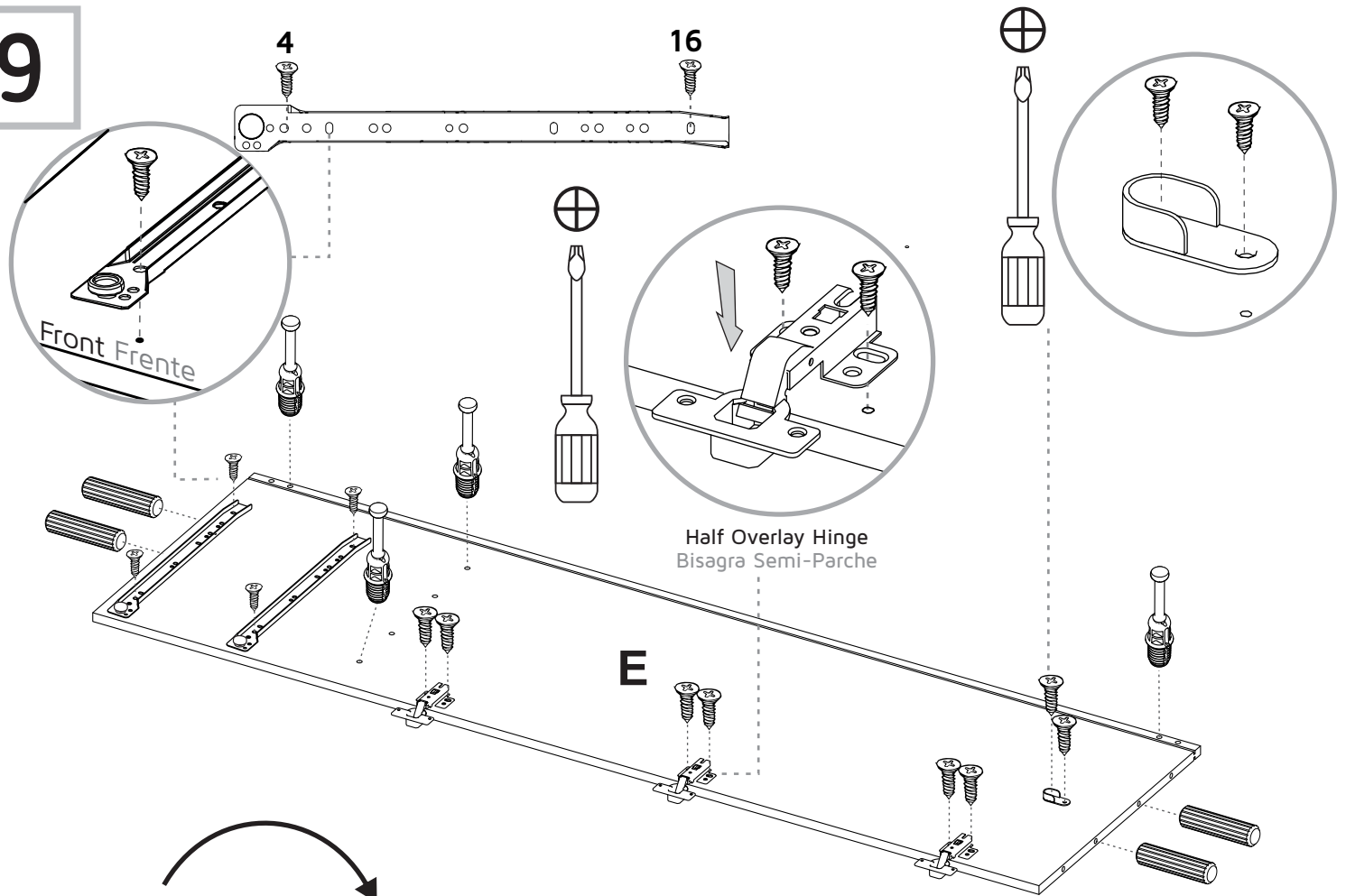
Rotate to tighten.  
Gire para apretar.



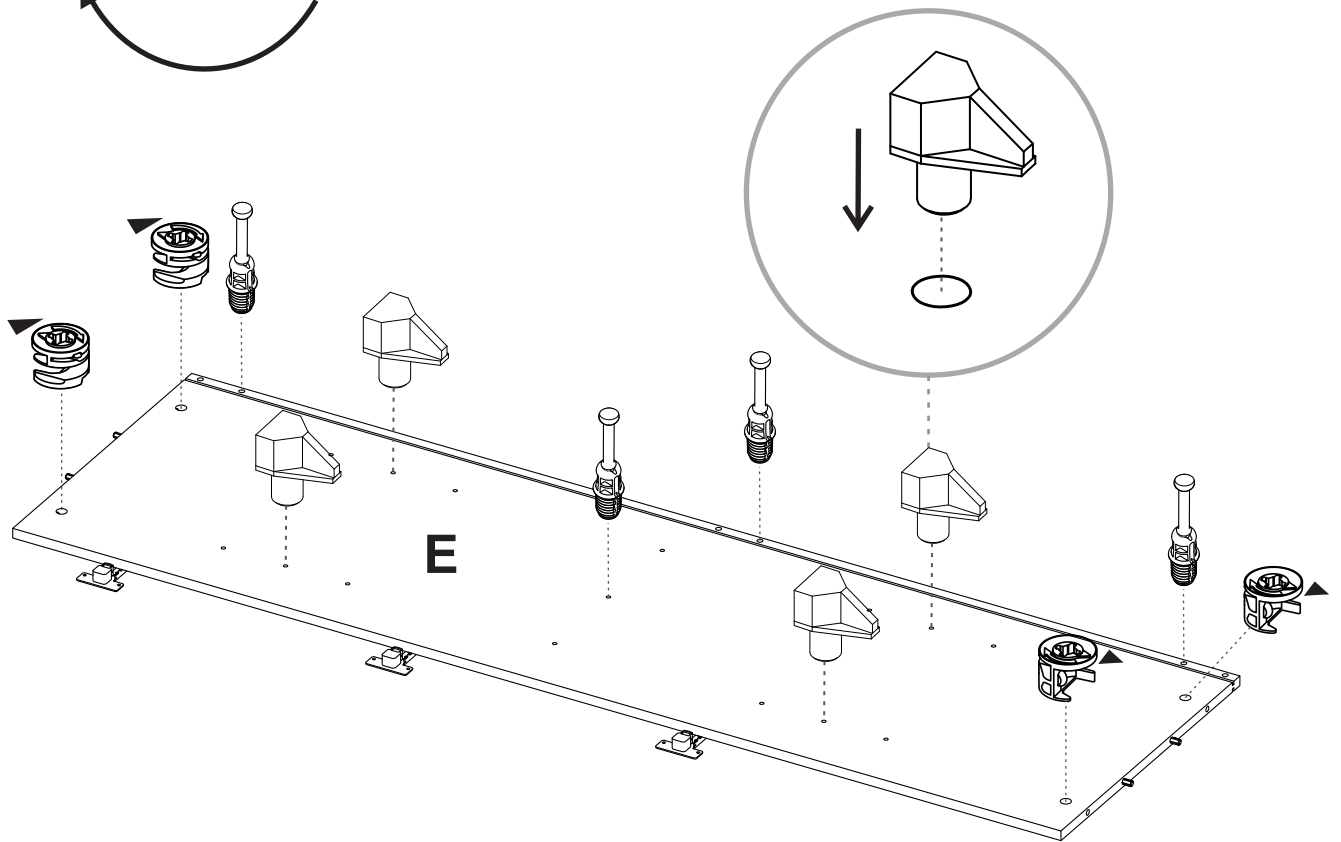
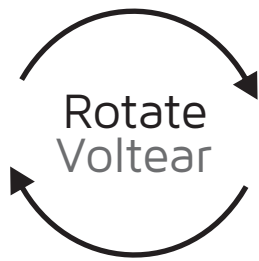
8



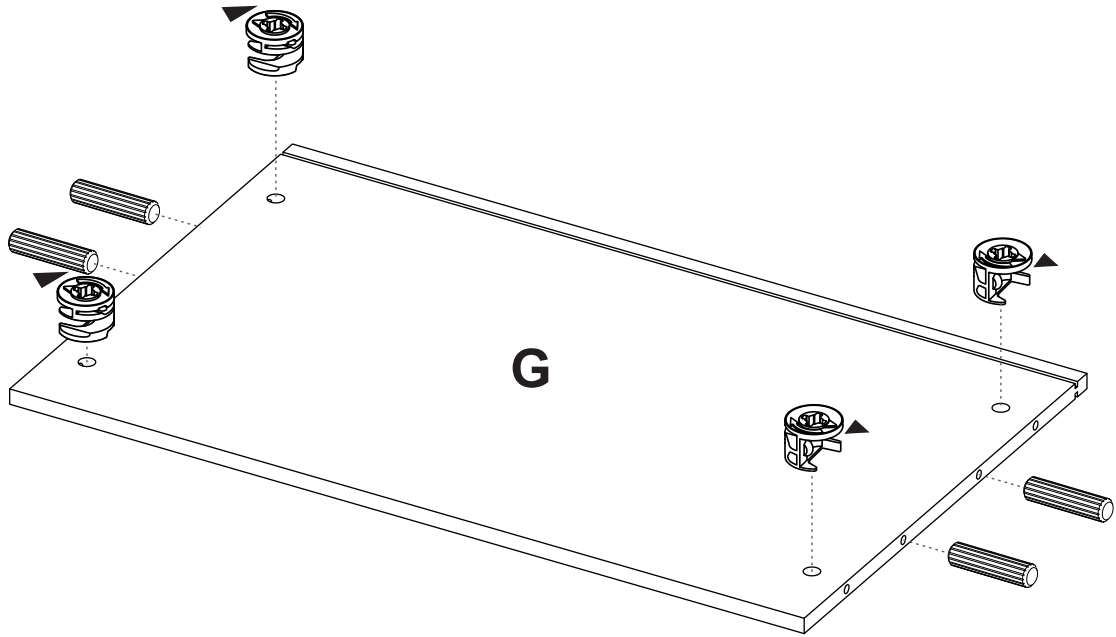
9



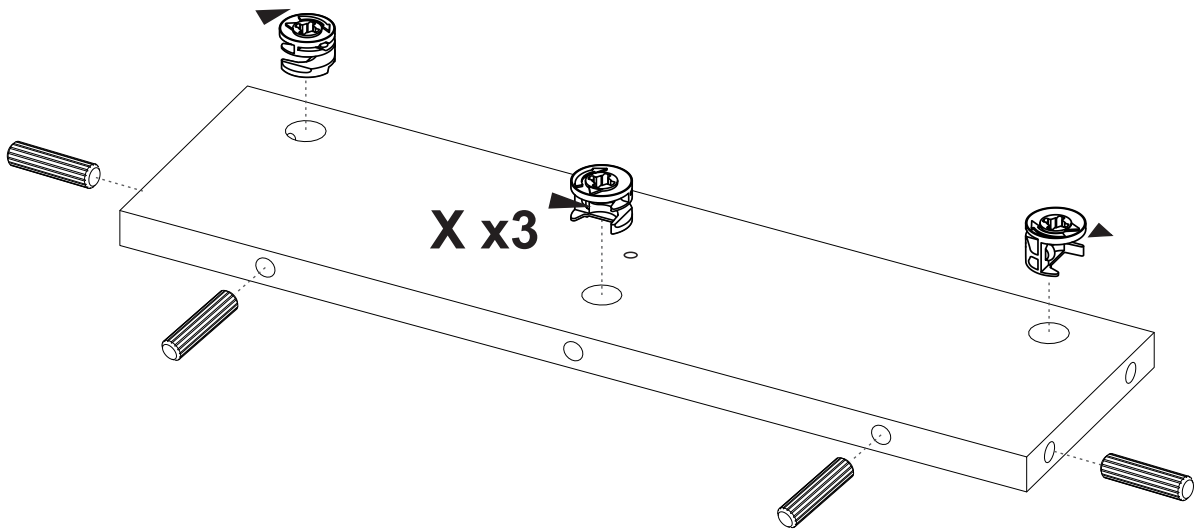
10



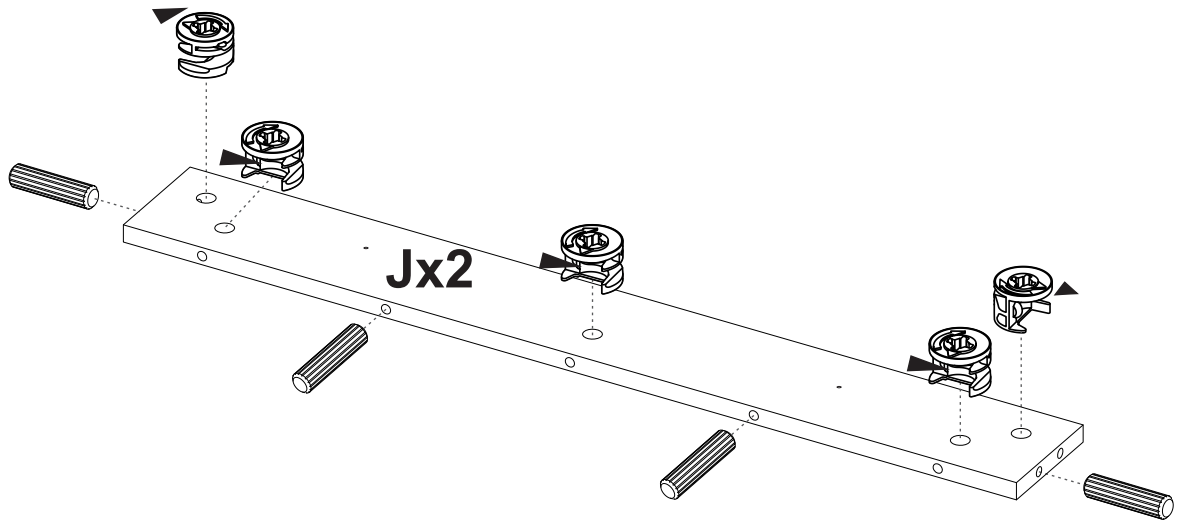
11



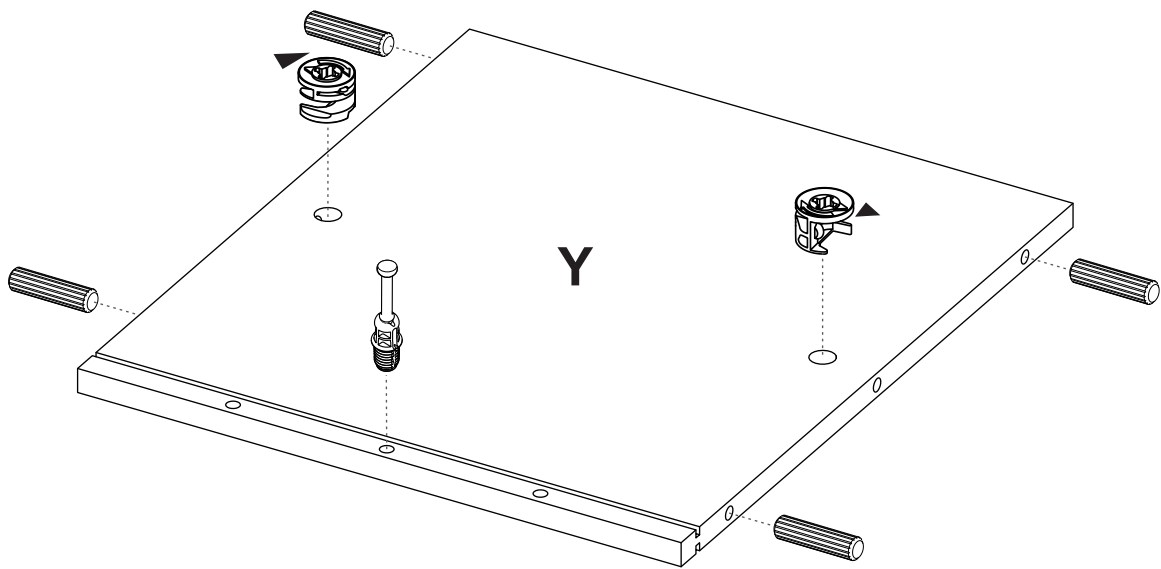
12



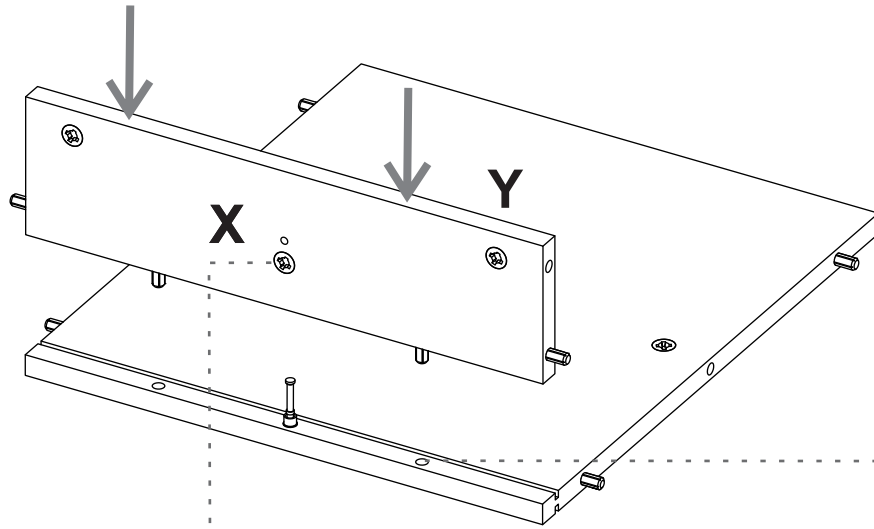
13



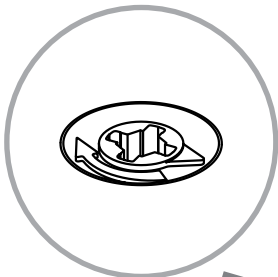
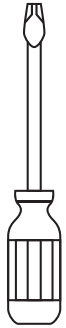
14



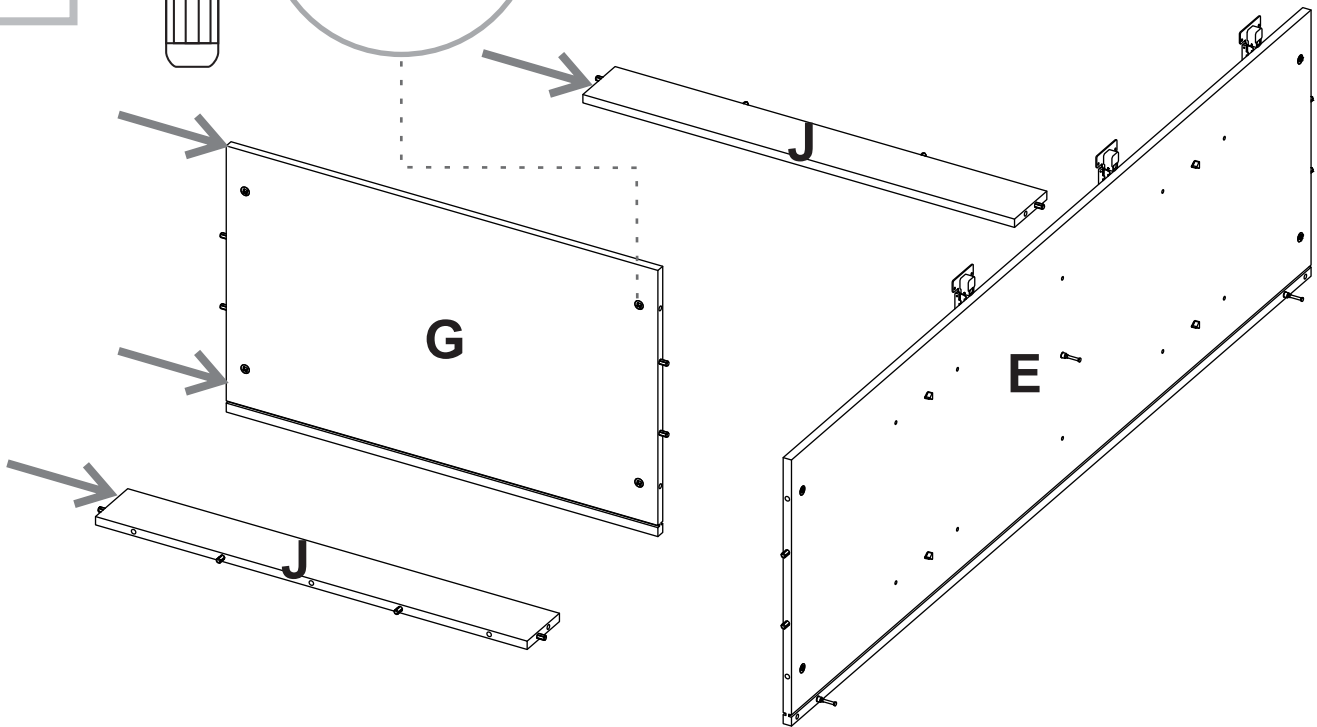
15



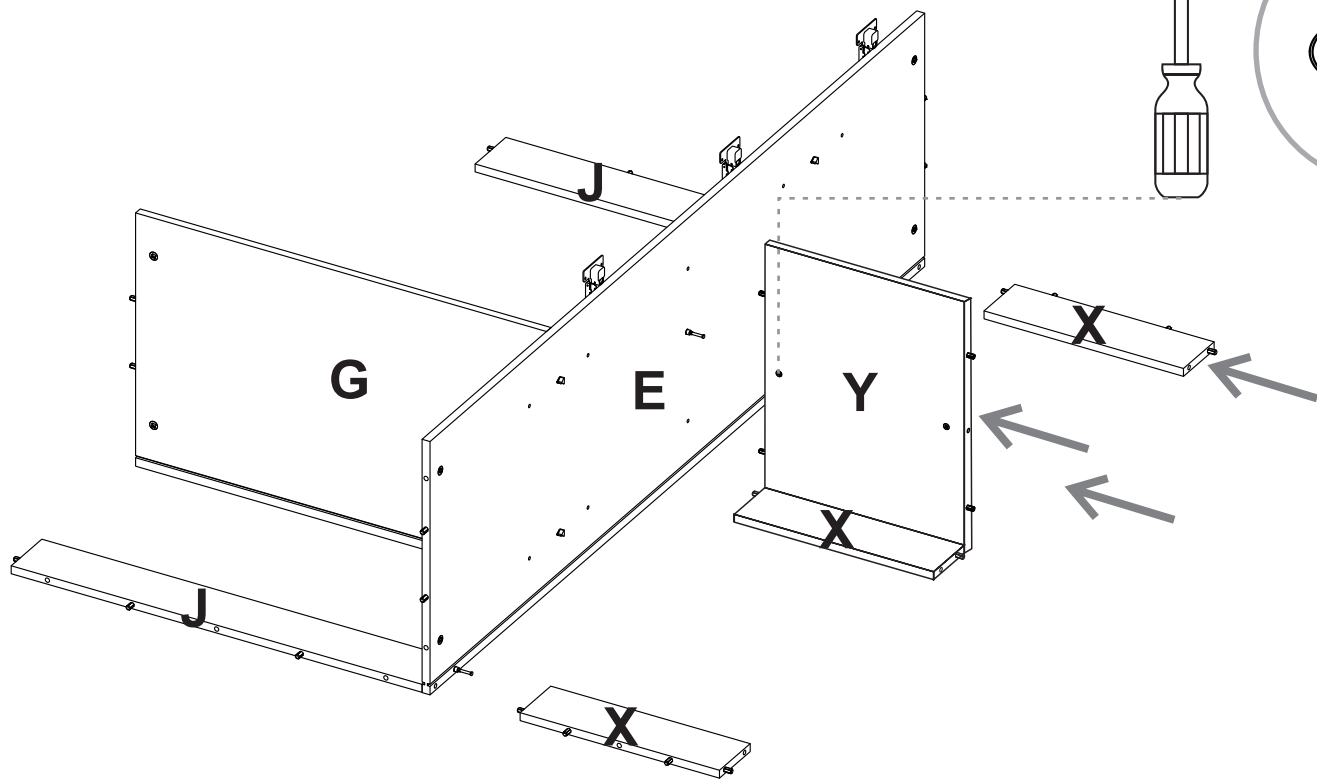
Rotate to tighten.  
Gire para apretar.



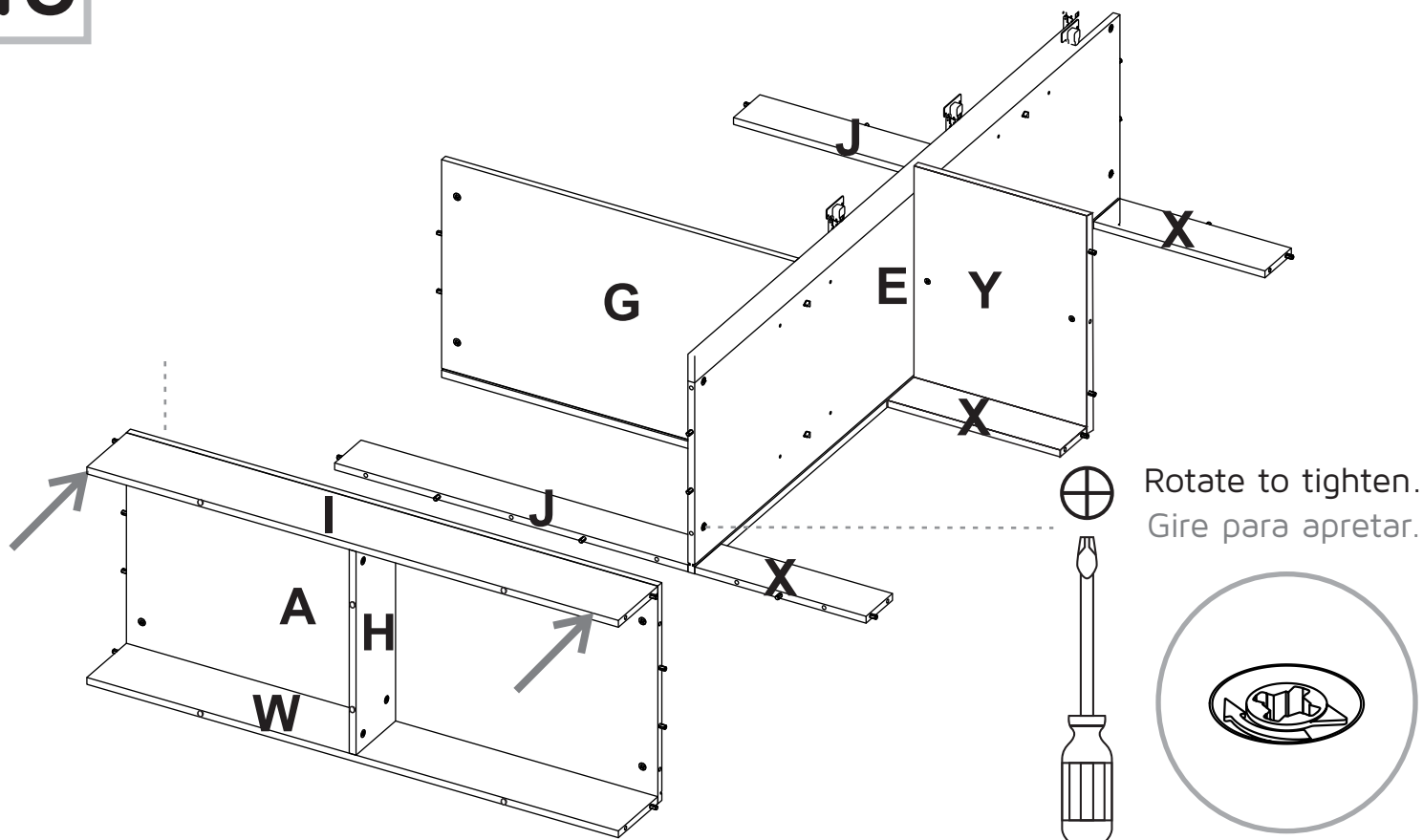
16



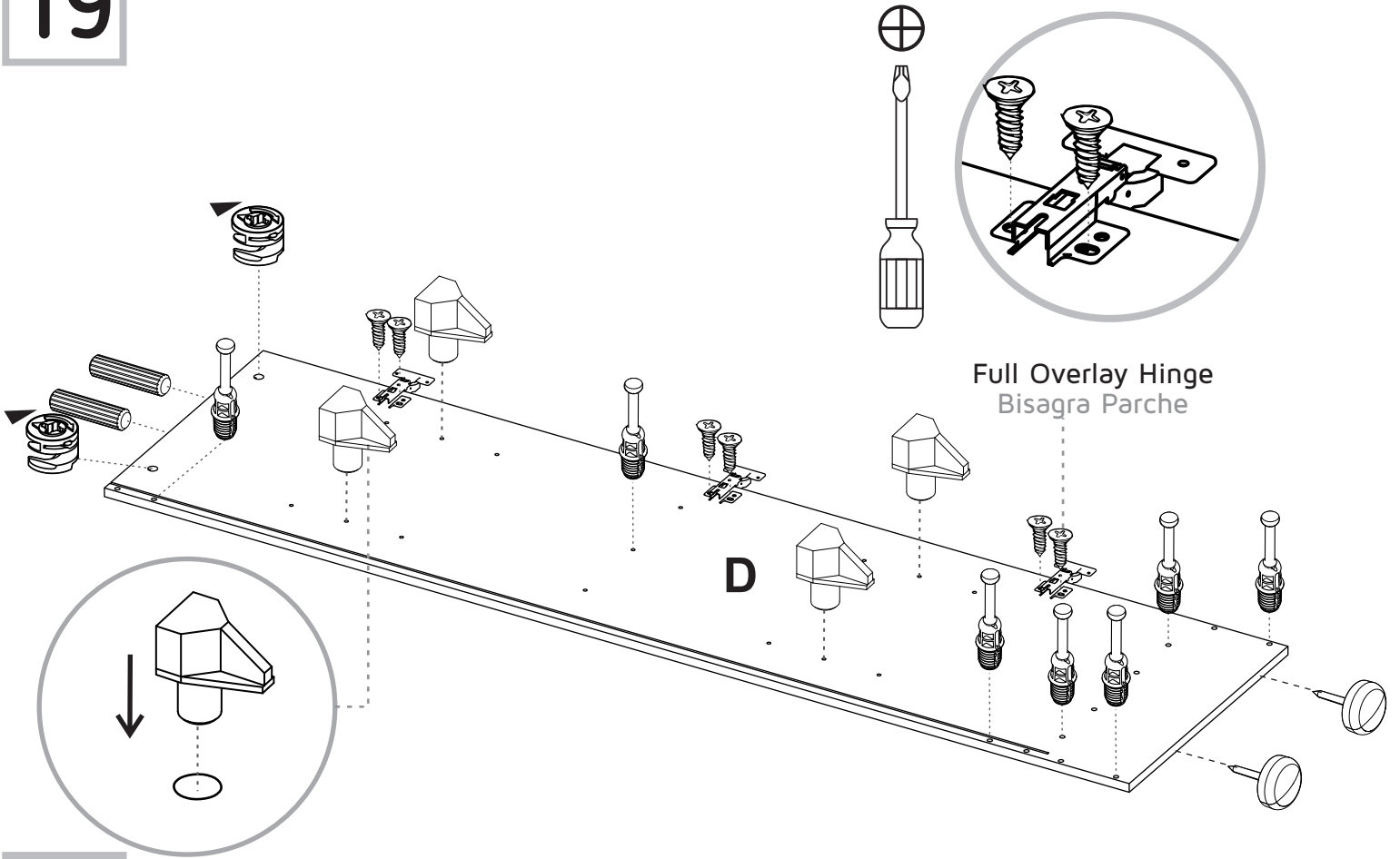
17



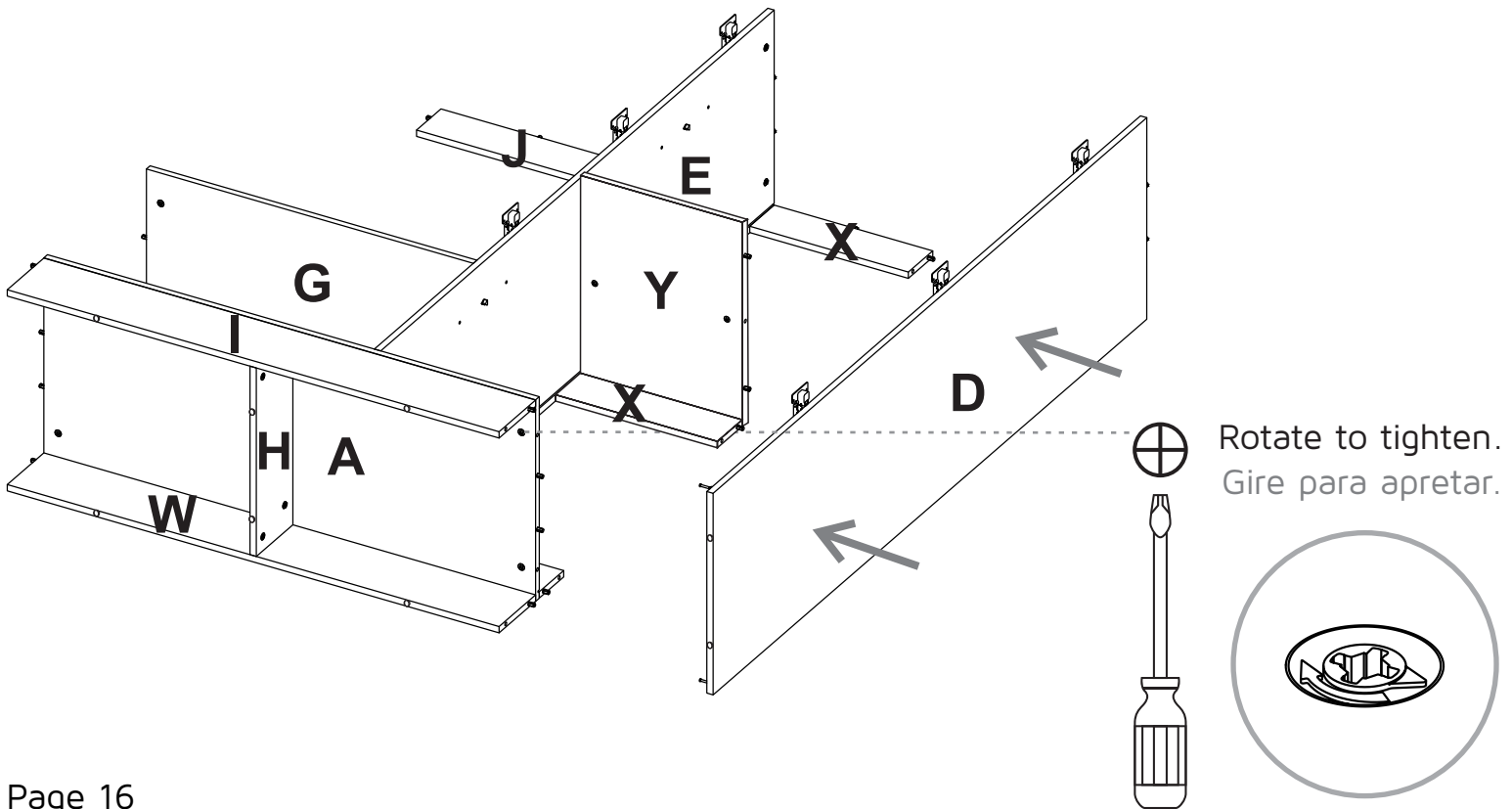
18



19

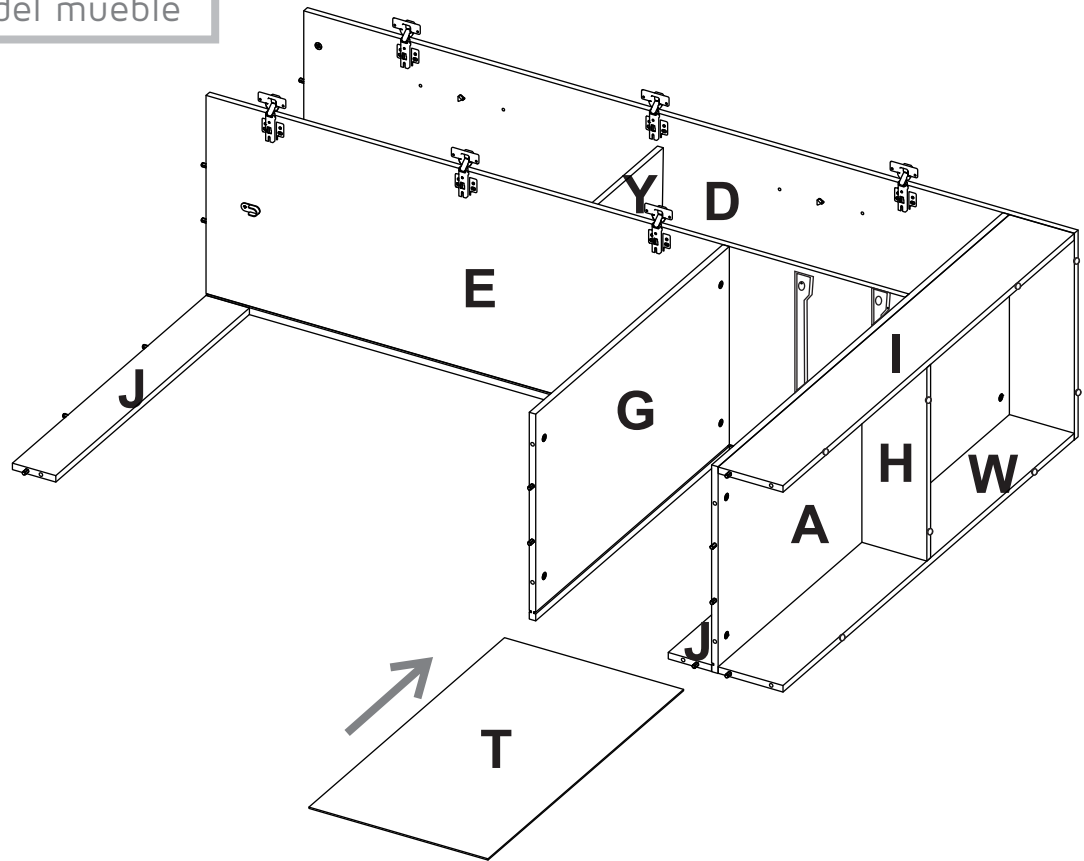


20

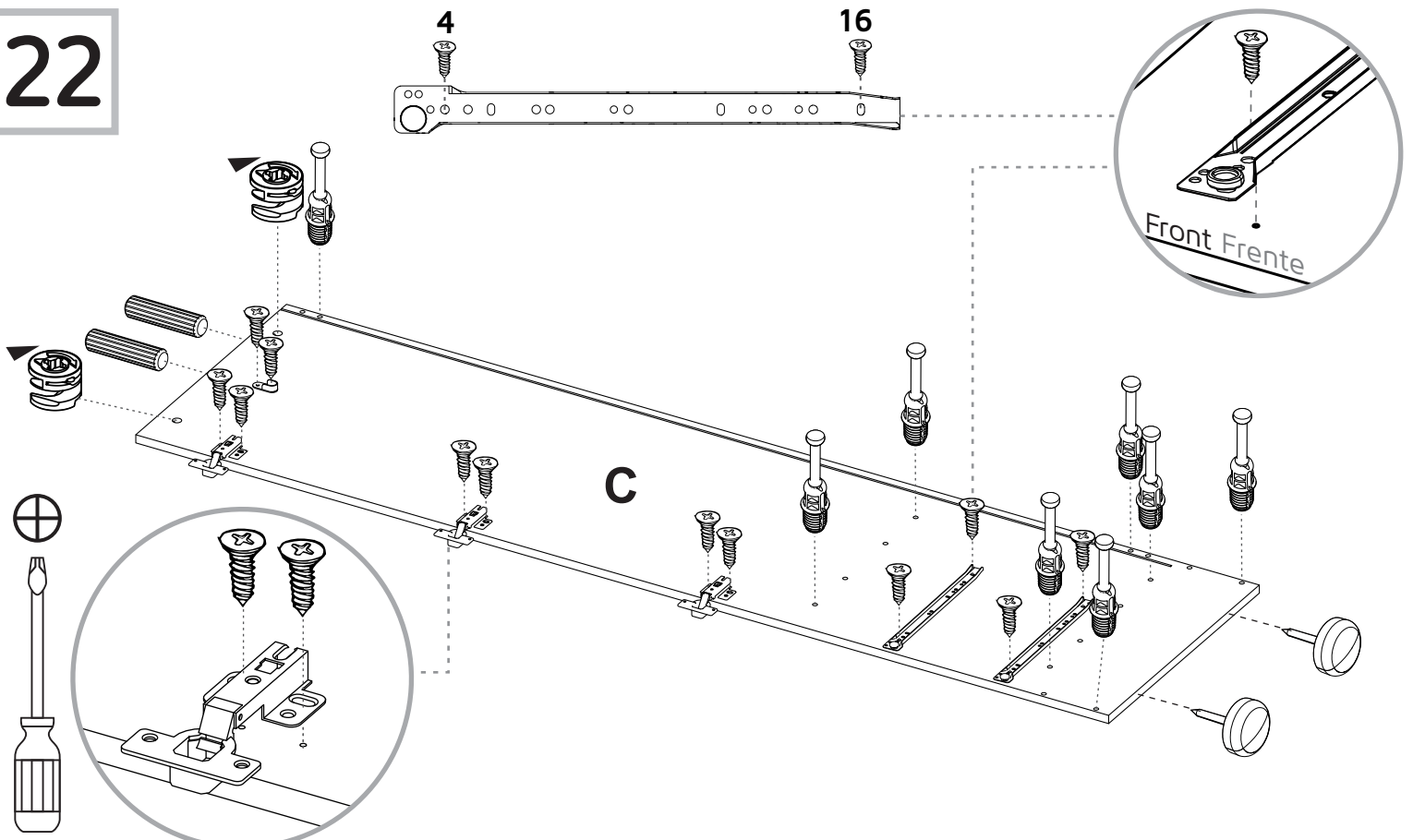


21

Slide the back panels  
inside the cabinet  
Deslice los fondos  
dentro del mueble



22



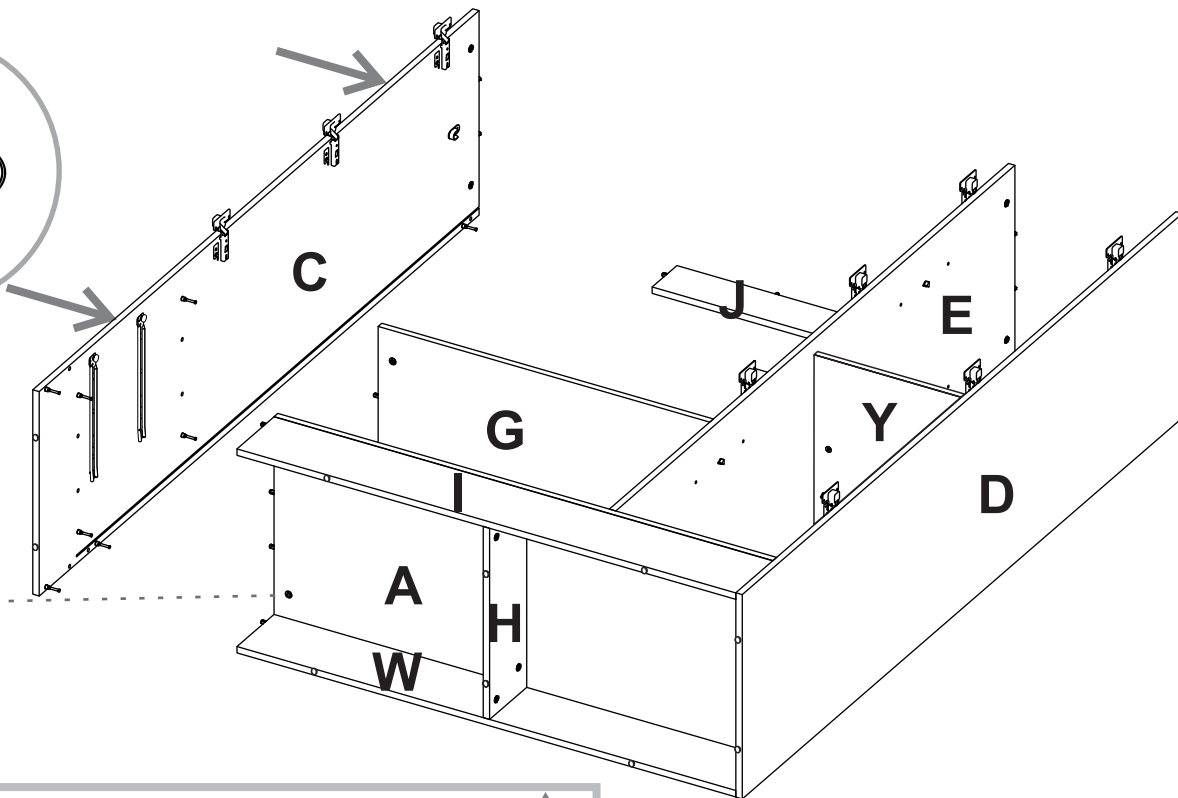
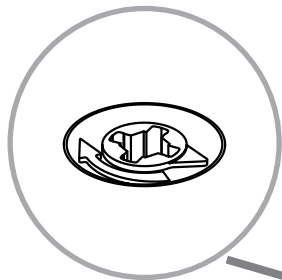
Front Frente

Full Overlay Hinge  
Bisagra Parche

# 23

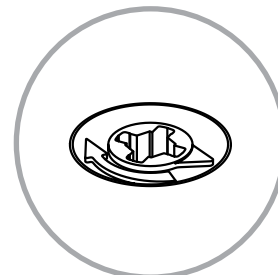
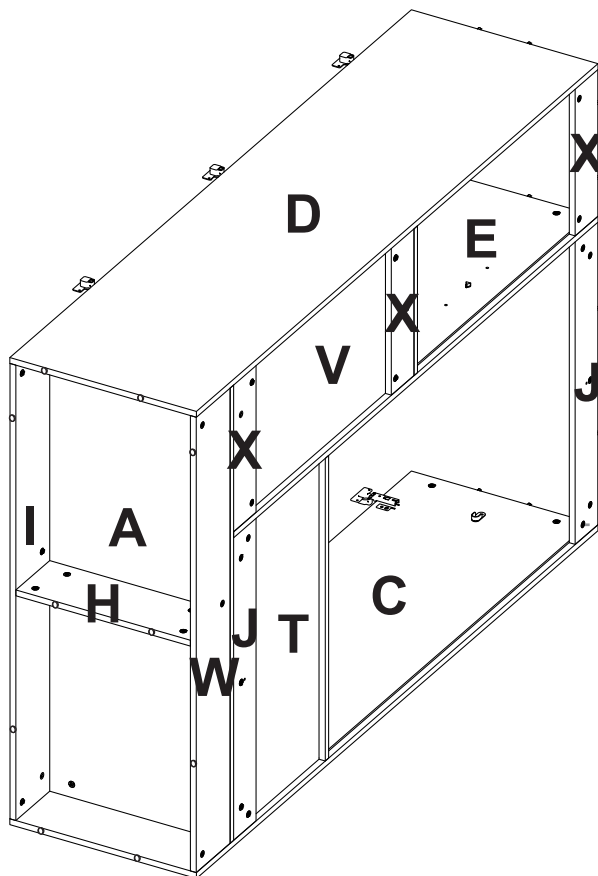


Rotate to tighten.  
Gire para apretar.



# 24

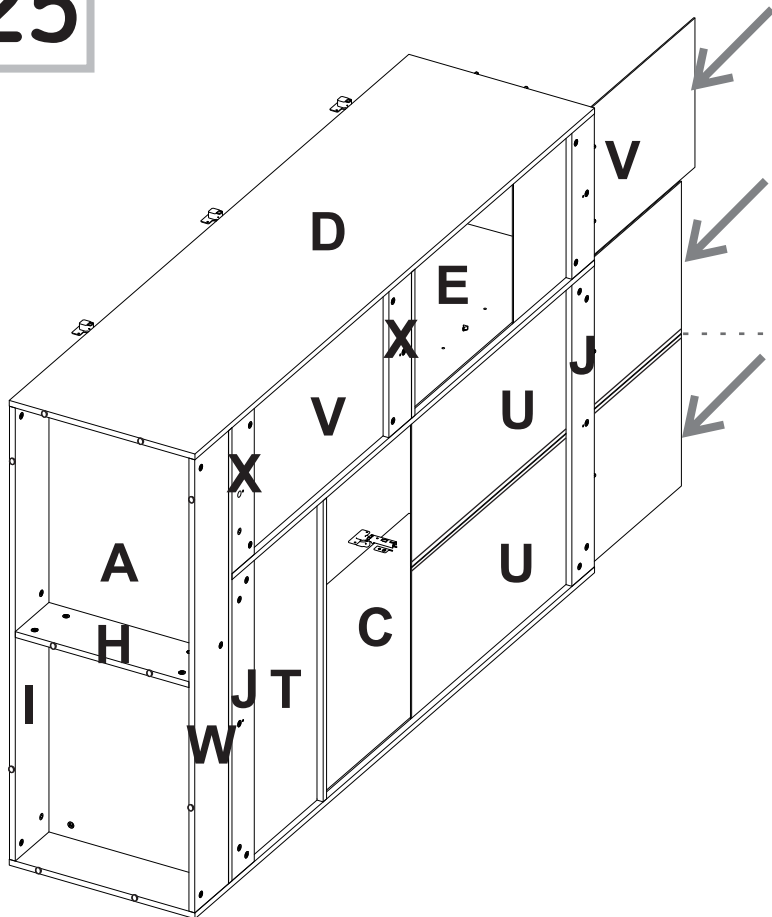
CAREFULLY FLIP THE FURNITURE /  
VOLTEAR EL MUEBLE CUIDADOSAMENTE



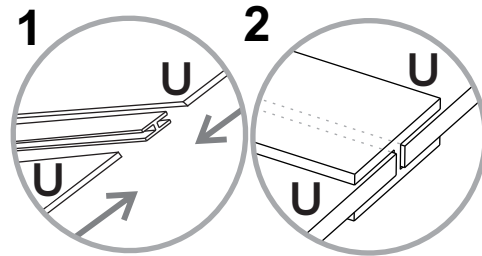
Rotate to tighten.  
Gire para apretar.

Tighten up all back  
Minifix Cams  
Ajuste todas los  
Minifix posteriores

25

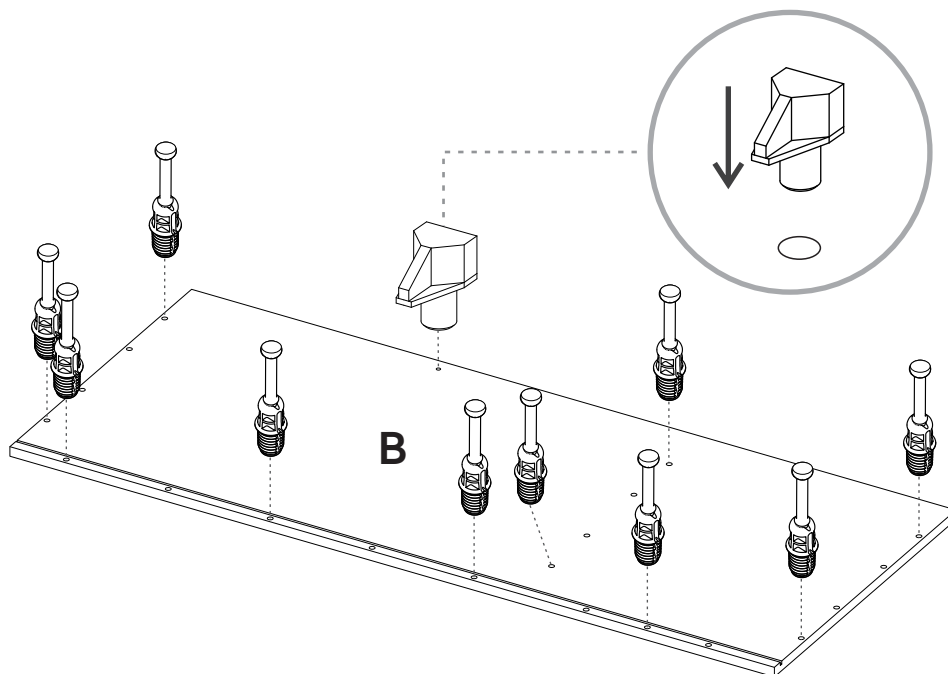


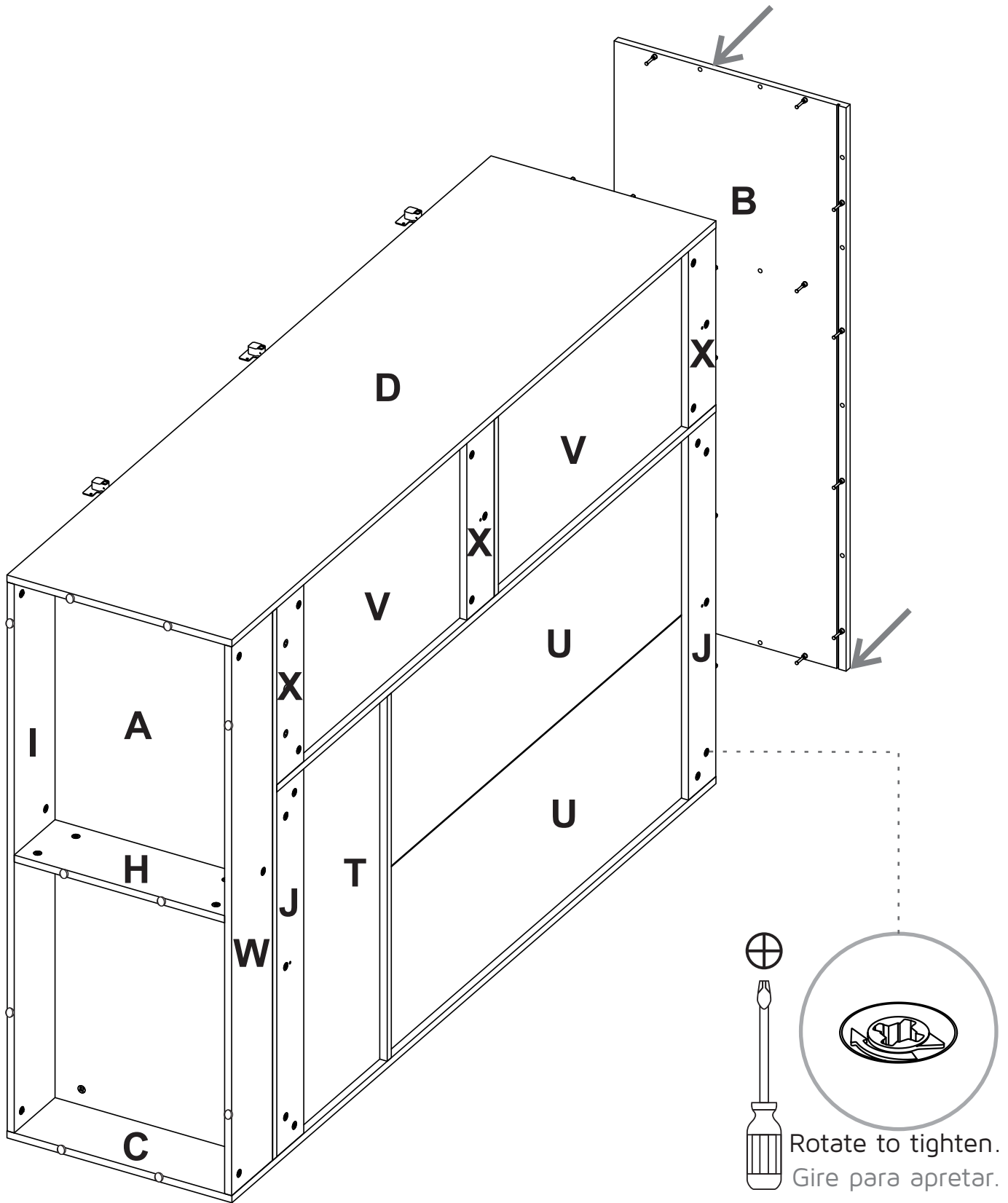
Guide Profile  
Perfil H



Slide the back panels  
inside the cabinet  
Deslice los fondos  
dentro del mueble

26



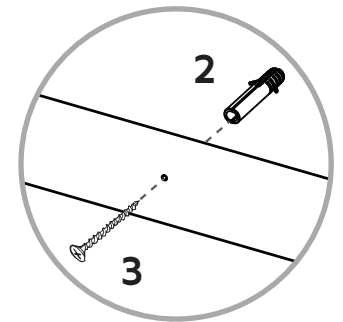
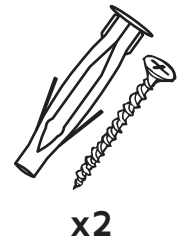
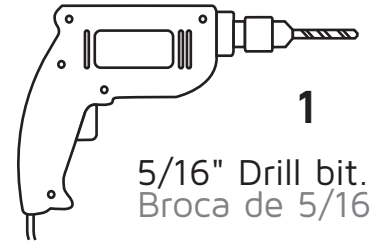
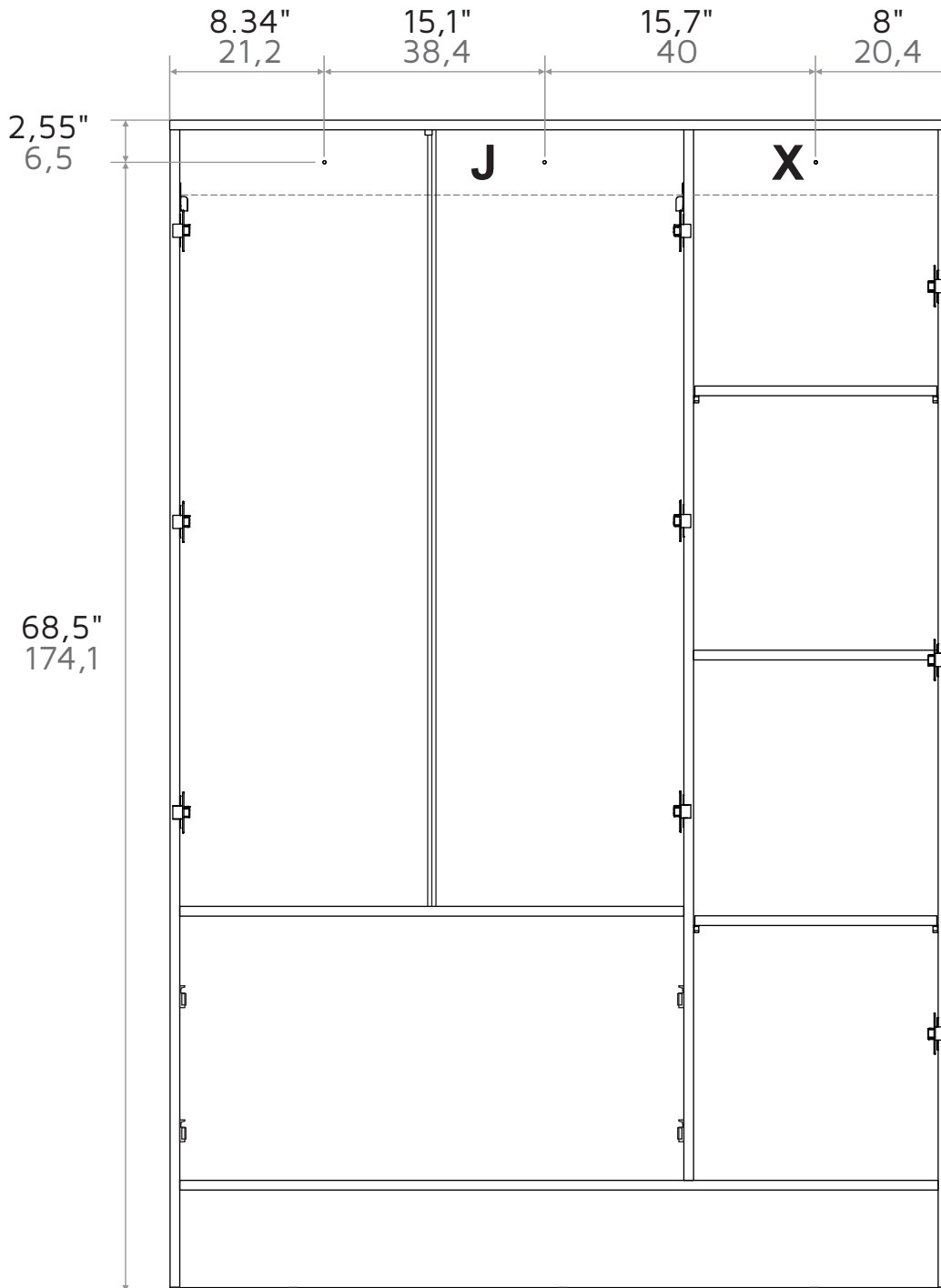


# 28

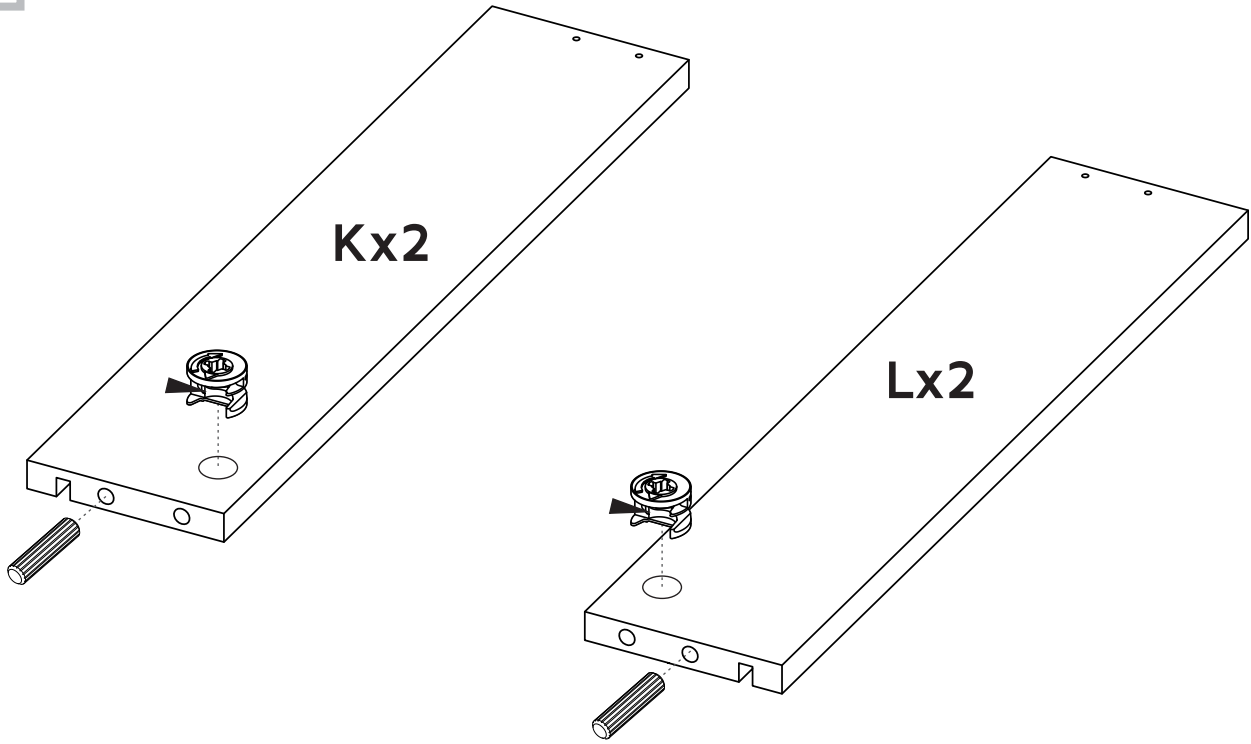
## Fixing the cabinet to the wall Instalación del mueble a la pared

Be careful turning over the cabinet.  
Tenga cuidado al voltear el mueble.

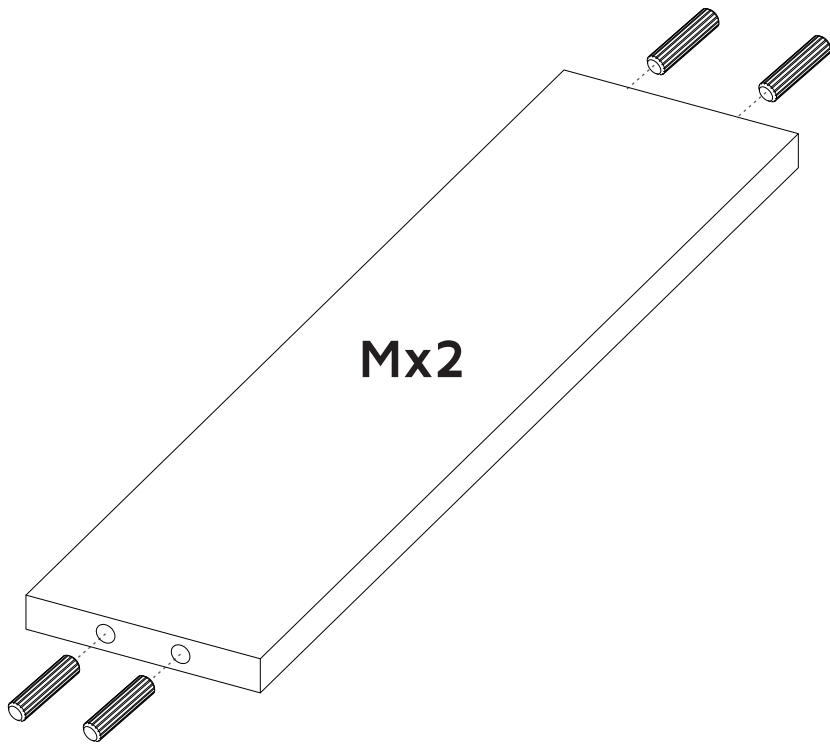
\* FRONT VIEW / VISTA FRONTAL  
\* Inches / Centímetros



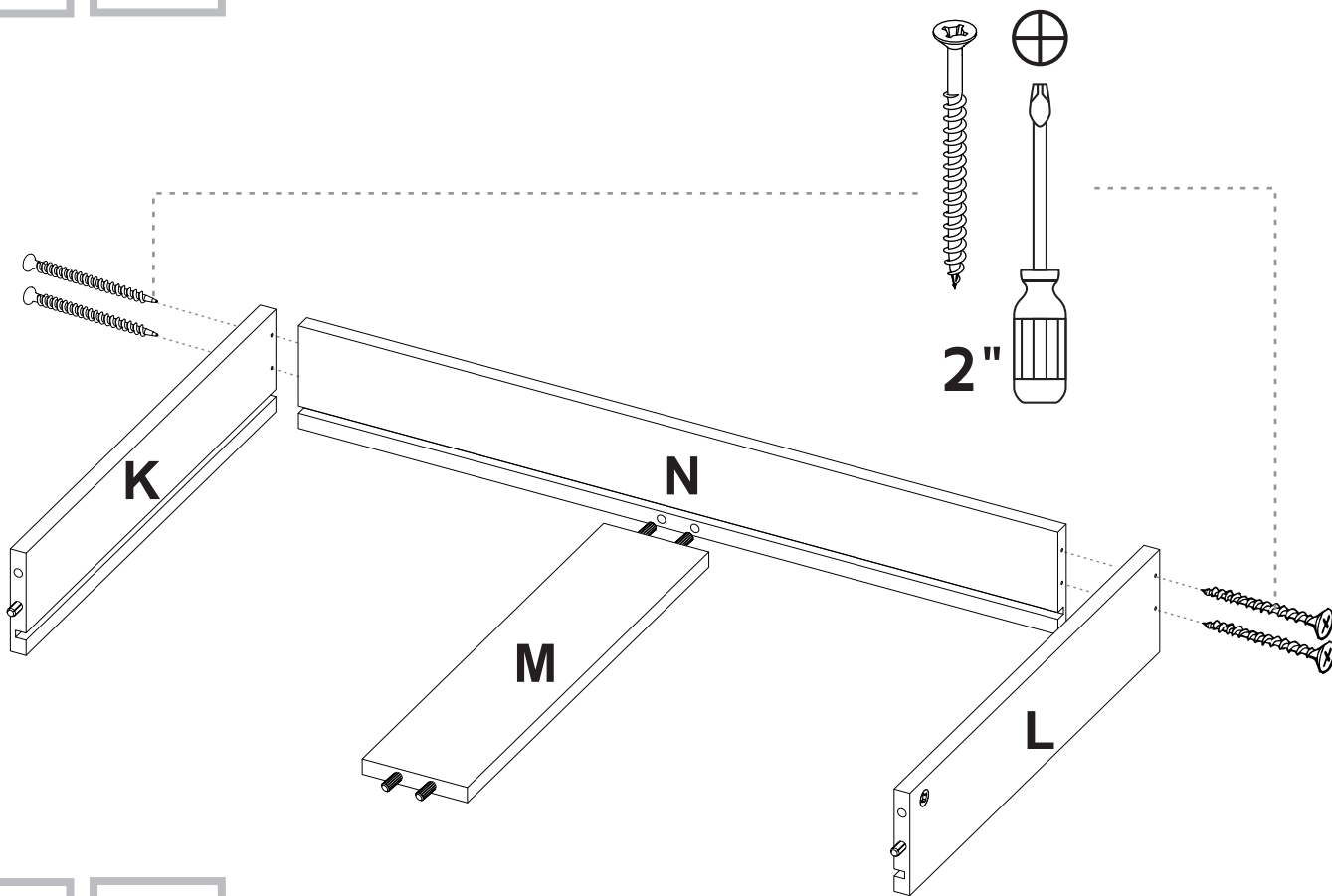
29



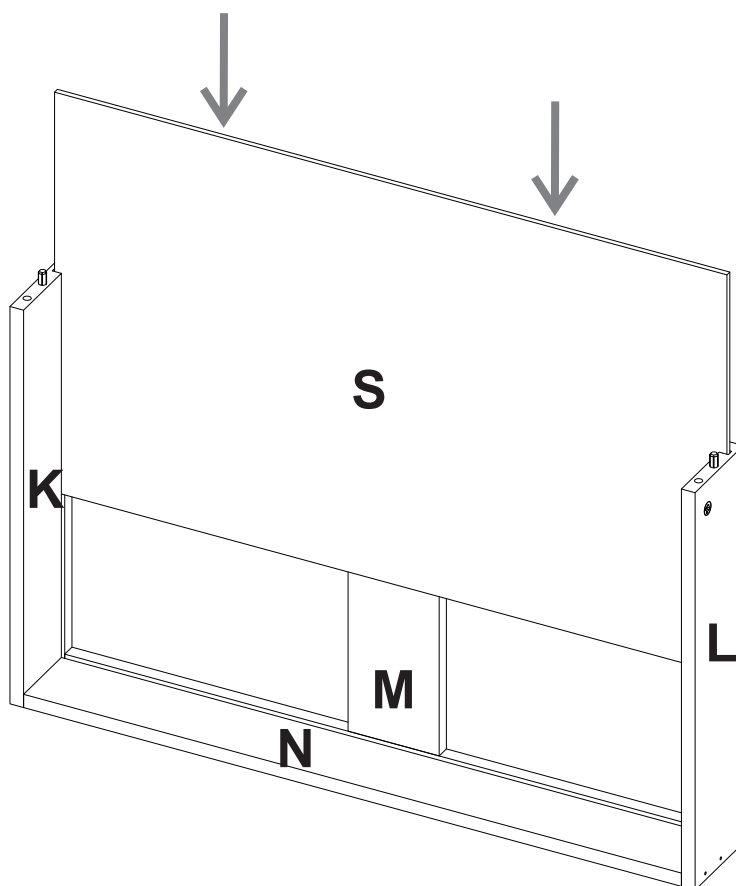
30



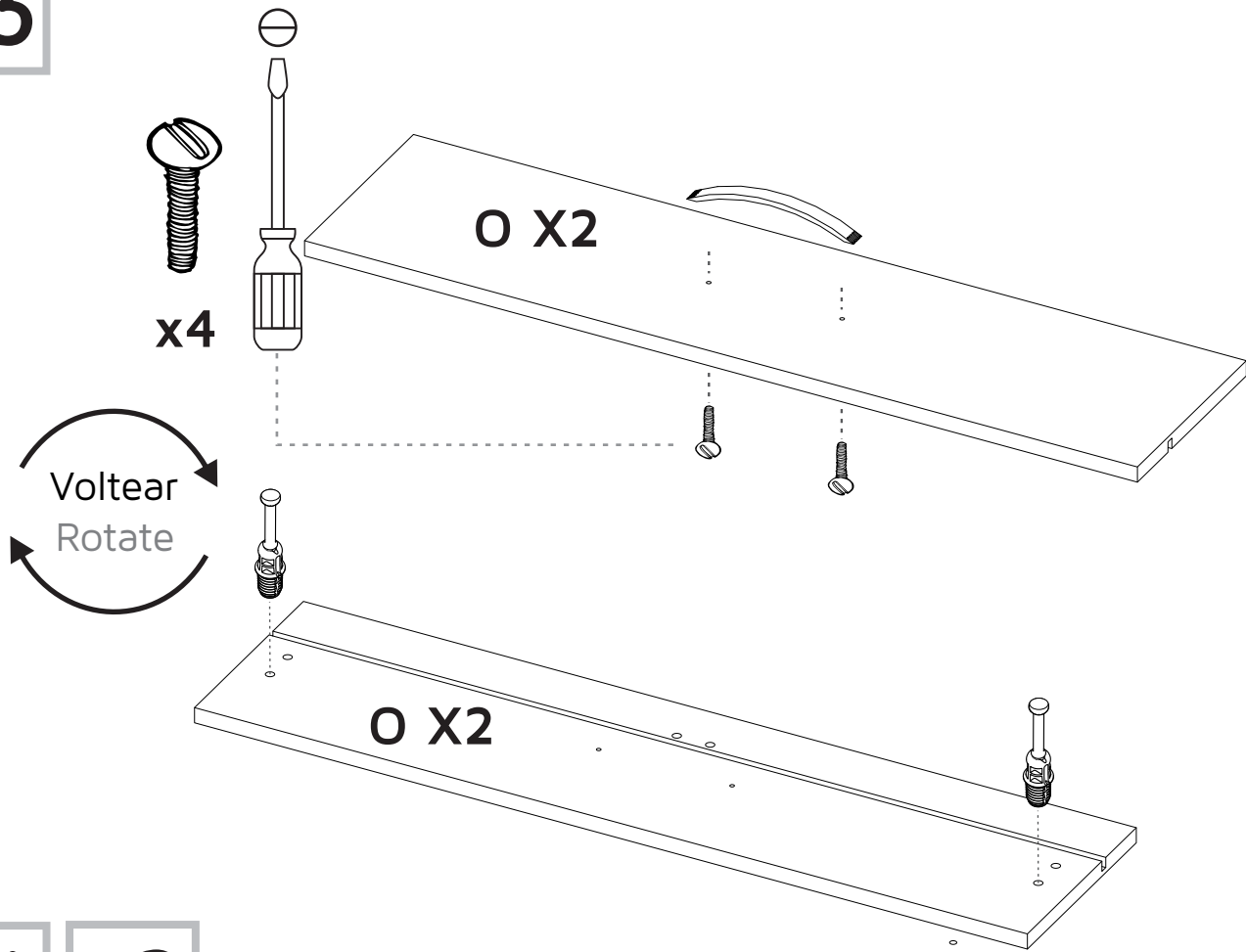
**31** **x2**



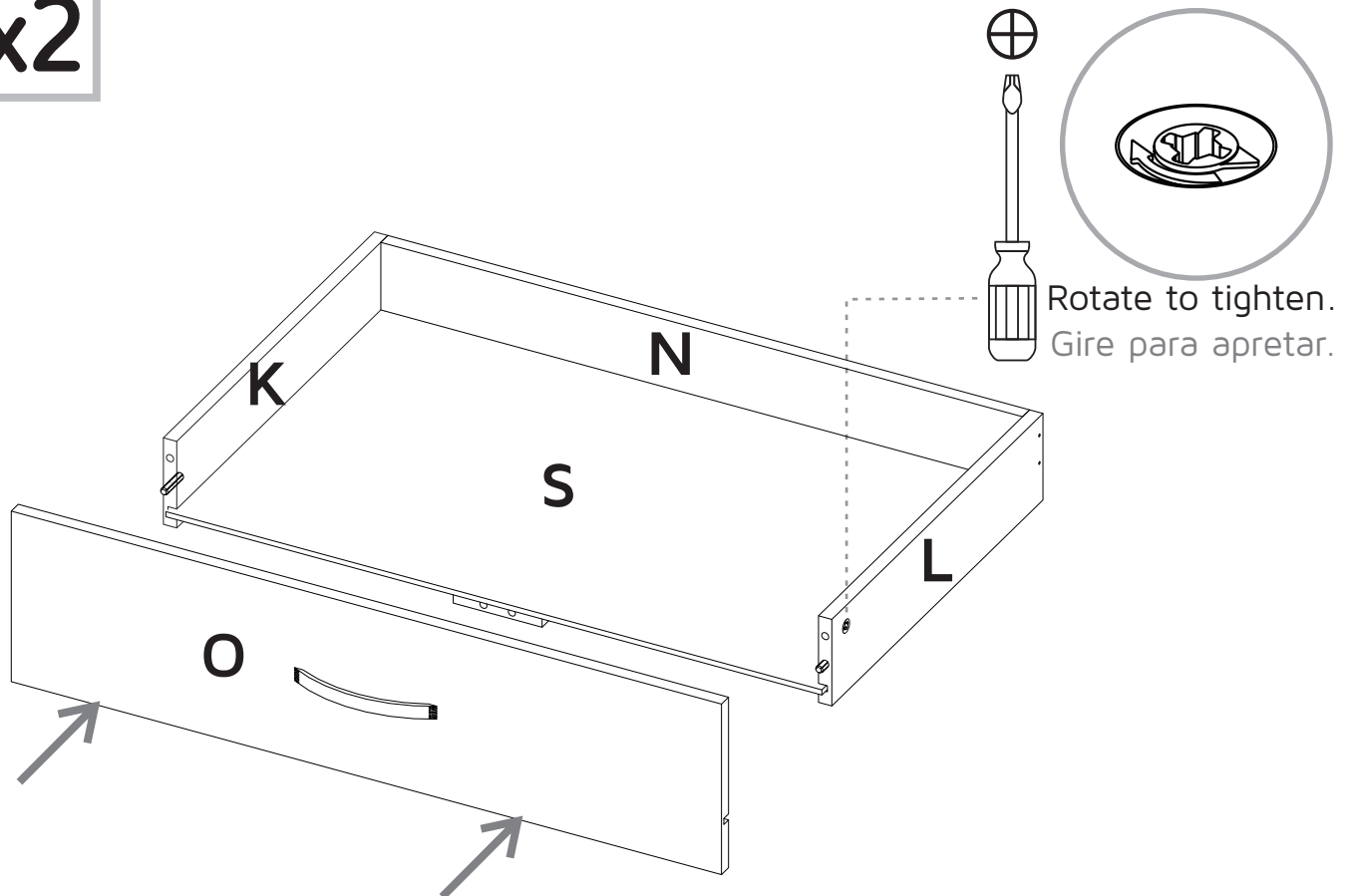
**32** **x2**



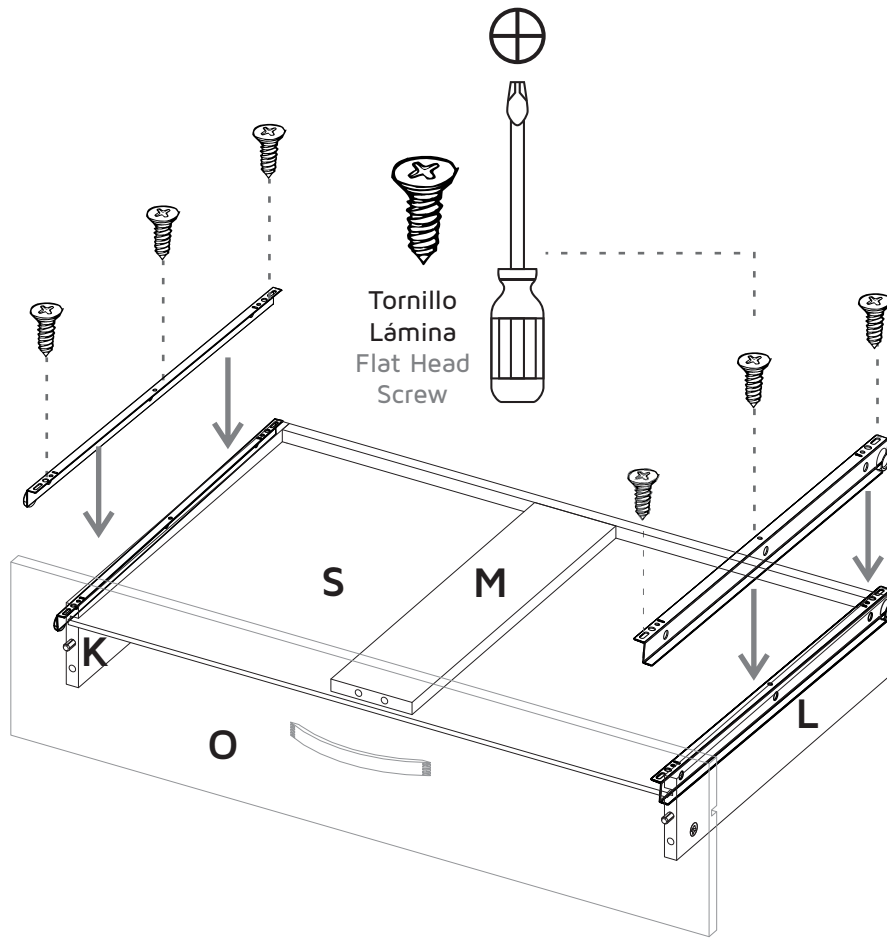
33



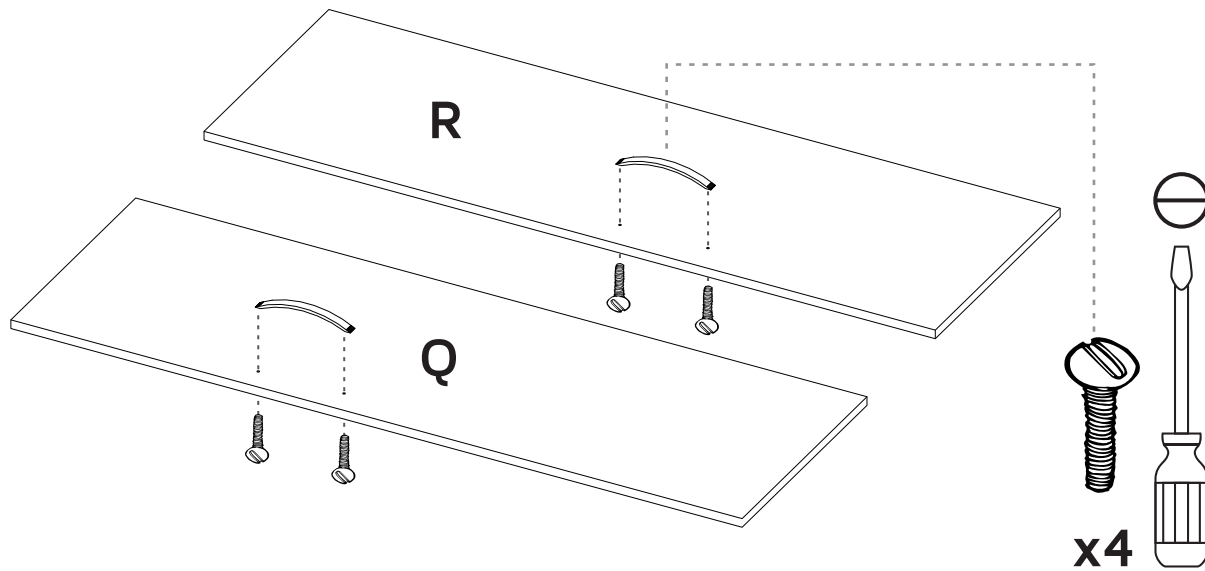
34 x2



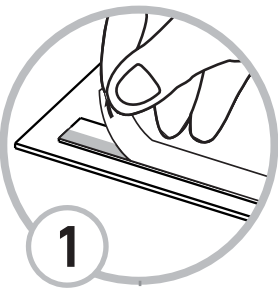
35 x2



36

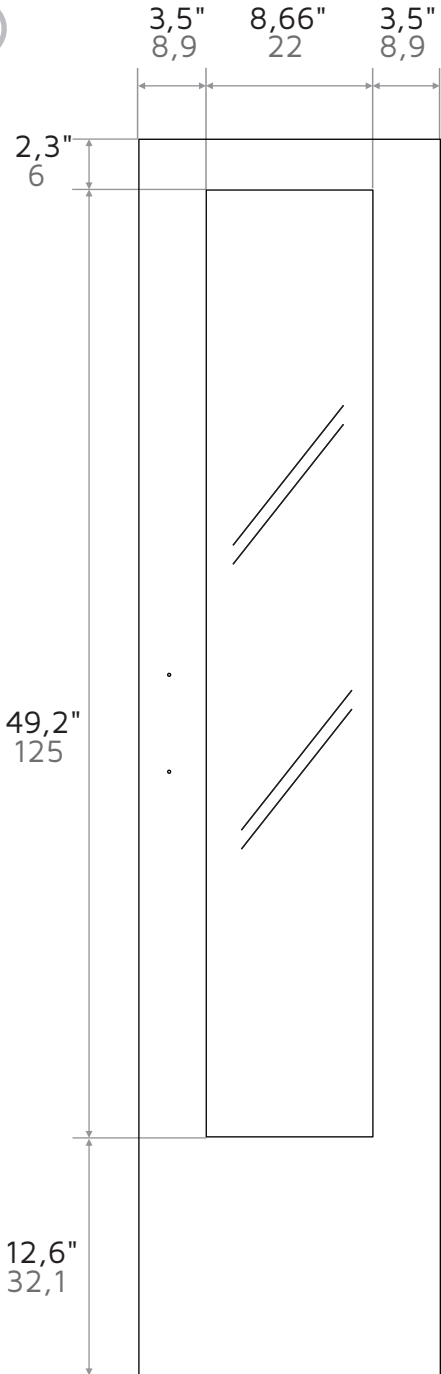
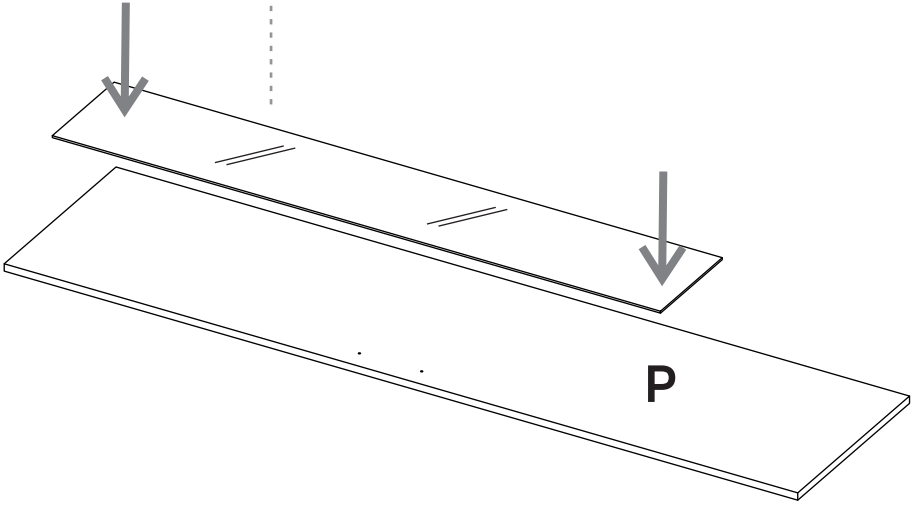


37

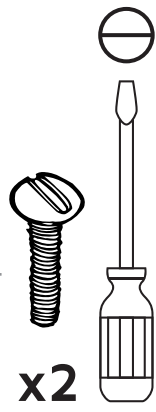
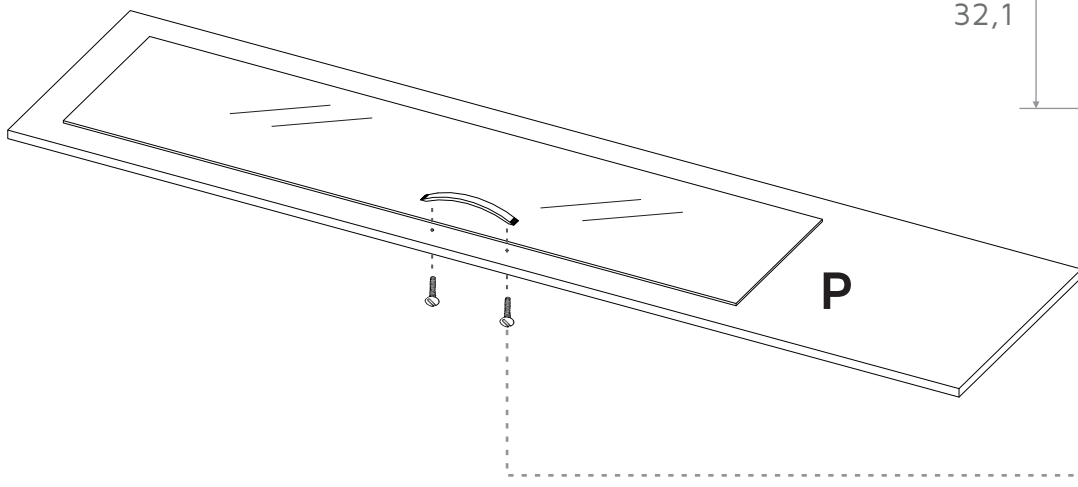


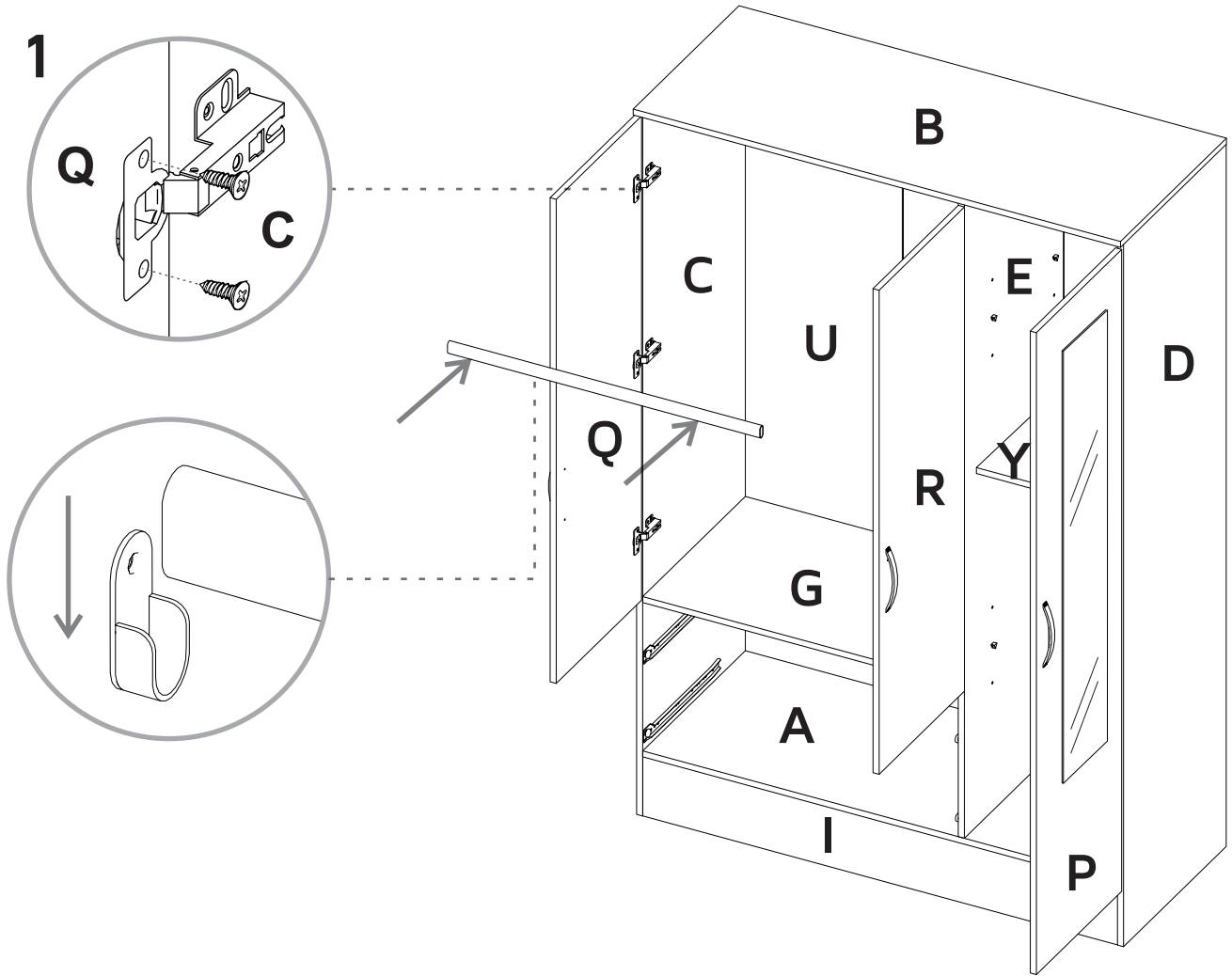
2  
Do a right cleaning of the surfaces,  
then place the mirror on the piece  
Limpiar bien las superficies y pegar  
el espejo sobre la pieza

3  
Apply pressure on the  
and tapes  
Hacer presión sobre el  
espejo y las cintas

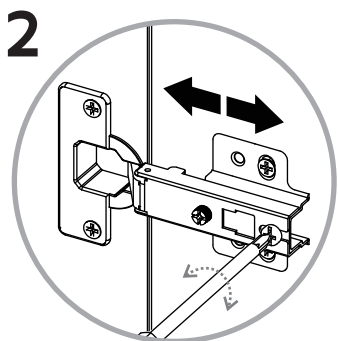


38

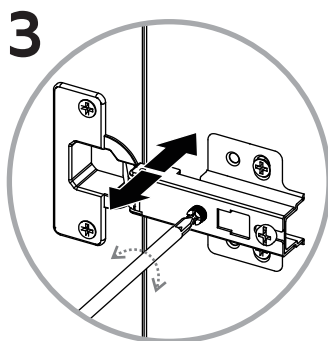




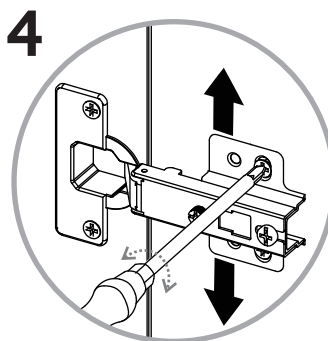
Hinge adjustment  
Ajuste de las bisagras



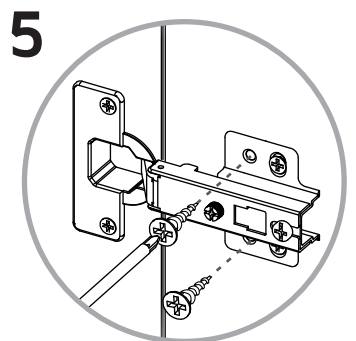
Depth adjustment  
Ajuste de profundidad

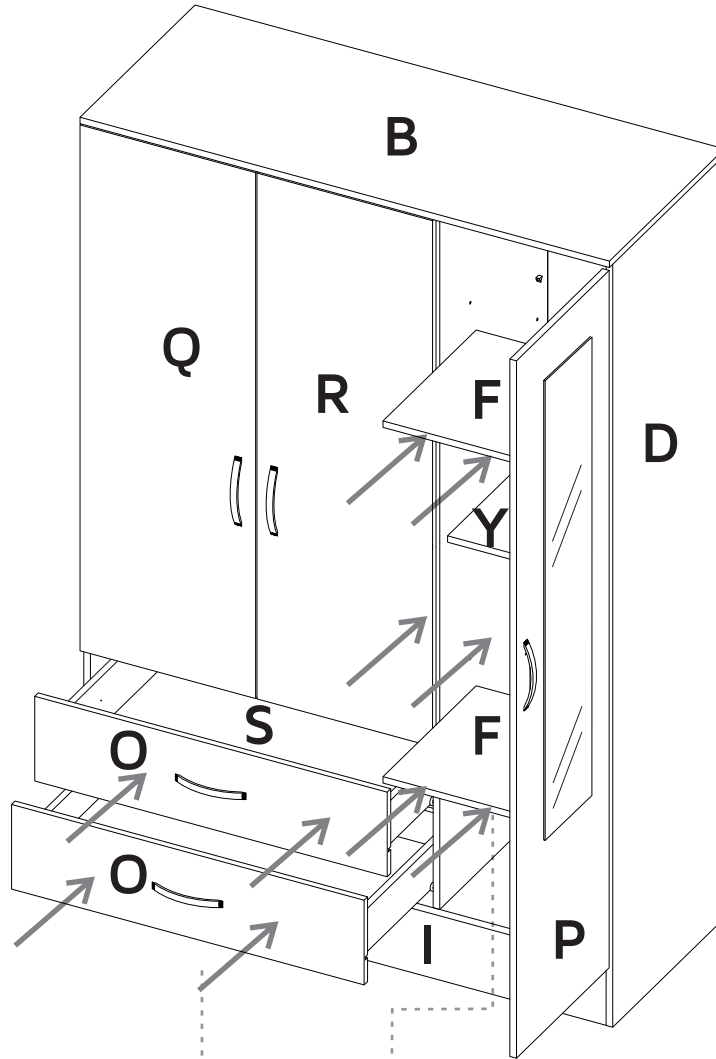


Side adjustment  
Ajuste lateral



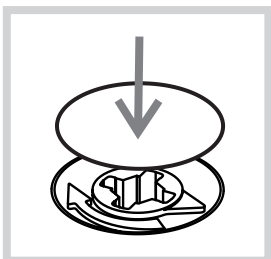
Height adjustment  
Ajuste de altura





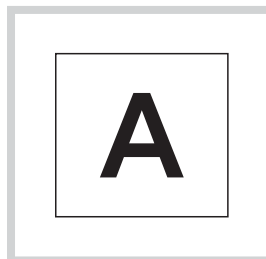
Slide the drawers  
inside the cabinet.  
Deslice los cajones  
dentro del mueble.

Slide the shelves  
inside the cabinet.  
Deslice los entreaños  
dentro del mueble.



After you finish the adjustment  
of the cams, cover them with  
the cover caps.

Después de ajustar todas las  
cajas minifix, cúbralas con las  
tapas adhesivas.



After you finish assembling the  
cabinet, take off the adhesive  
letters.

Al terminar de armar, desprenda  
las letras adhesivas.

# WARRANTY POLICY

## PÓLIZA DE GARANTÍA

Furniture has a 3 year warranty coverage in wooden parts and 1 year warranty coverage in hardware pieces since its manufacturing date, which you can see in the lot number printed on the product box and the assembly instructions leaflet.

Warranty covers materials and workmanship imperfections which impair the assembly or correct functioning of the cabinet.

This warranty is not valid if the defects or imperfections are caused by the incorrect following of the assembly instructions, warnings and recommendations, misuse, intentional damage, fire or flood, or after modifications or any kind of alteration, or repaired by someone not authorized, when it's been assembled 3 months after the date of purchase. These defects MUST be reported before the warranty coverage period ends. Once the product has been assembled, the company will not be responsible for defective and/or damaged parts.

This warranty is ONLY valid for the ORIGINAL PURCHASER, it doesn't apply if the product has been resold, rented, etc.

Furniture will take no liability for incidental or consequential damages caused to or by the product (This may not apply in your state).

To make this warranty valid you must write to our customer service email describing the product defect, lot number and submitting your sales receipt or proof of purchase, or contact us at our customer service line. Replaced parts will be under the product's original warranty coverage period. Damaged parts will become property of the company.

There are no other warranties applicable to this product.

**IF ANY PARTS ARE BROKEN OR  
MISSING PLEASE CONTACT US**  
AT: 1-888-391-01-66 /  
[customerservicetuhome@rta.com.co](mailto:customerservicetuhome@rta.com.co)  
OUR CUSTOMER SERVICE TEAM WILL PROVIDE  
YOU HELP TO RESOLVE ANY ISSUES IMMEDIATELY