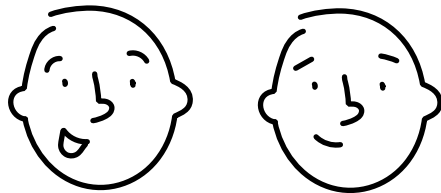
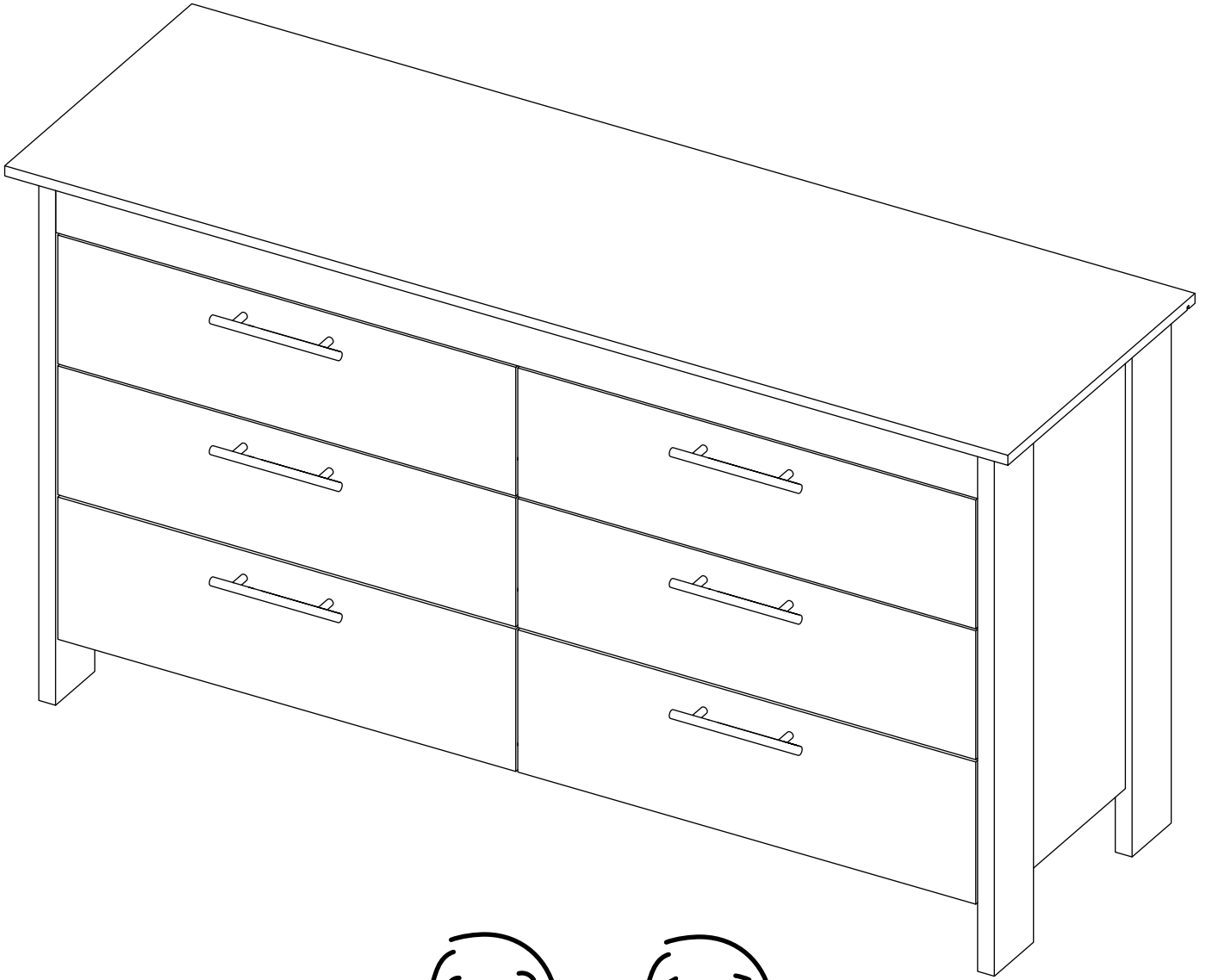


ASSEMBLY INSTRUCTIONS

HMS 6 DRAWER DOUBLE DRESSER



It's much better if you get some company for this!

TUHOME

FURNITURE

If any parts are broken or missing please contact us at:
1-888-391-01-66 / customerservicetuhome@rta.com.co
Our customer service team will provide you help
to resolve any issues immediatly

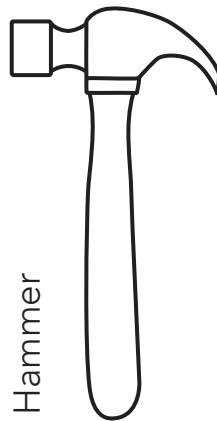
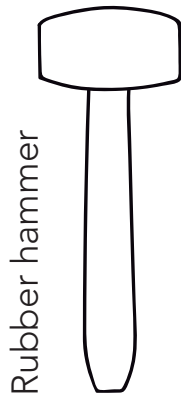
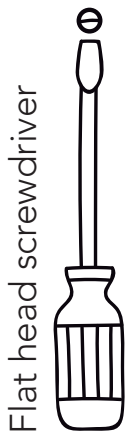
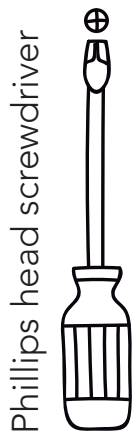
REF./SKU. CLB5980 - CLW5981

LOT N°

Index

What will you need?	2
Where should you start?	3
What's in the hardware bag?	4
How do the dowels and Minifix system work? (We also explain what they are)	5
Let's start assembling!	6
How much weight does your cabinet resist?	29
Our last recommendations for taking care of your cabinet	30

What will you need?

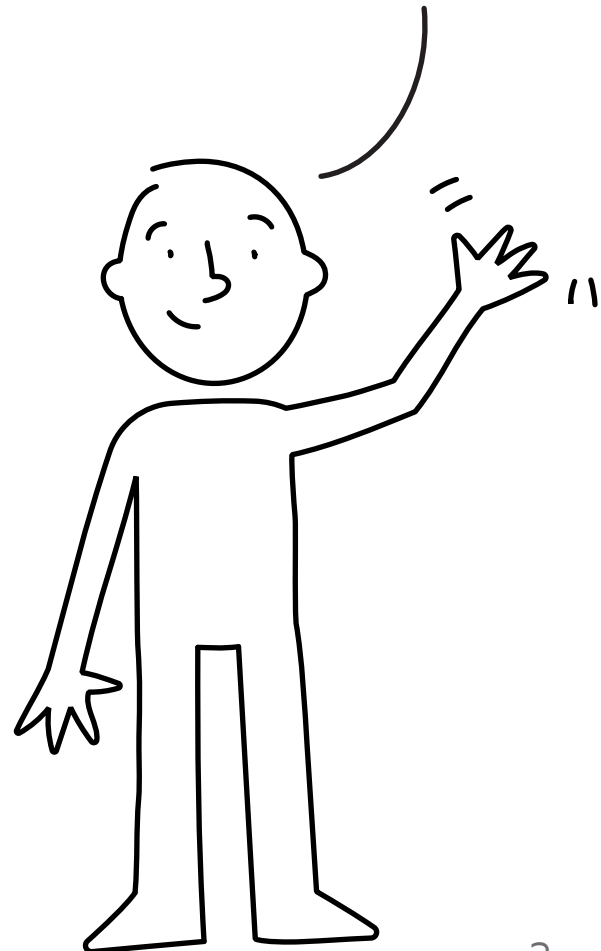


A flat, smooth surface. You can use the cardboard of the box or a rug.



An electric screwdriver isn't necessary, but it can make the work much easier :)

Hi! my name is Armando, and I'll be with you while you assemble this cabinet.



Where should you start?

This is so IMPORTANT!

Over the next few pages is the panel and hardware content for this cabinet.

Please make sure that the quantity of each one is correct, and that everything is in good shape.


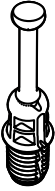


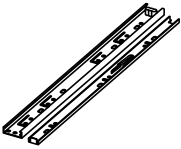
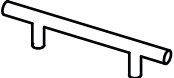

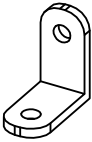


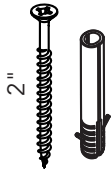
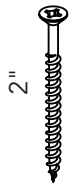
(When the cabinet is already assembled there's no warranty for this)

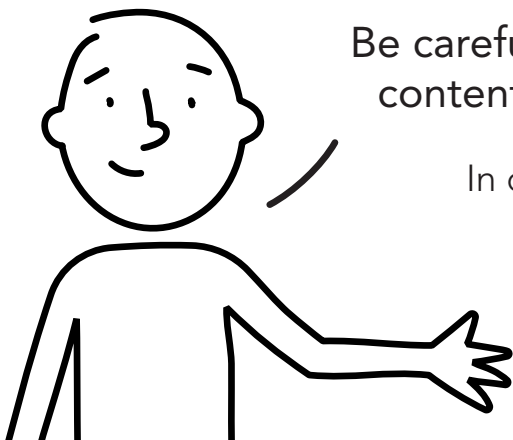


Panel quantity

A - x1	B - x1	C - x2	D - x1	E - x1
F - x1	G - x1	GA - x1	H - x1	HA - x1
I - x1	IA - x1	J - x1	K - x2	L - x1
M - x2	N - x1	O - x6	P - x6	Q - x6
R - x6	S - x6	T - x4	U - x4	V - x1
W - x2				

What's in the hardware bag?

			
Wood dowel x100	Spreading bolt x66	Minifix cam x66	Cover caps x70
			
Drawer slides + screws x6	Handle x6	Glue x3	Corner brace x2
			
Nail-on glide x6	Flat head screw x4	Wall anchor + screw x2	Drywall screw x26




Be careful!, try not to lose anything from this bag, its content it's necessary for assembling you cabinet.

In case something is missing, please call to our customer service line:

1-888-391-01-66

What's in the hardware bag?

 Drywall screw x36			



Be careful!, try not to lose anything from this bag, its content it's necessary for assembling you cabinet.

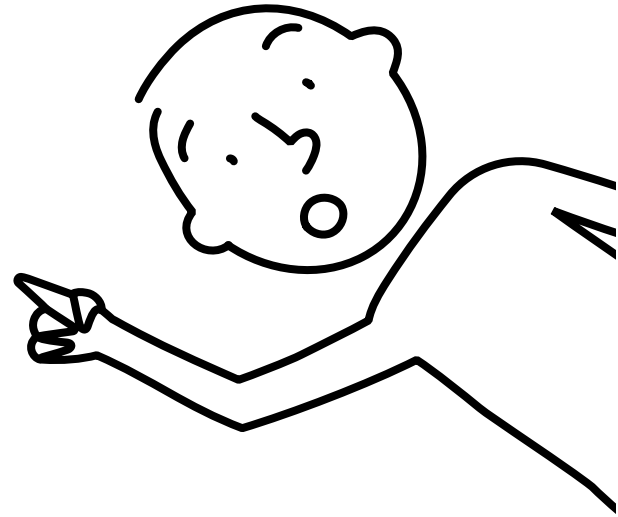
In case something is missing, please call to our customer service line:

1-888-391-01-66

How do the dowels and Minifix system work?

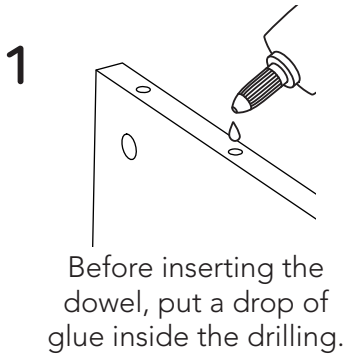
this is so important too!

Everytime you're using one of these connectors during the assembly, you should follow these same steps.

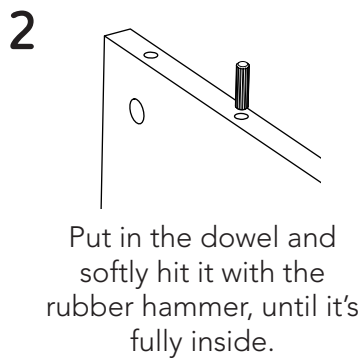


Wood dowels

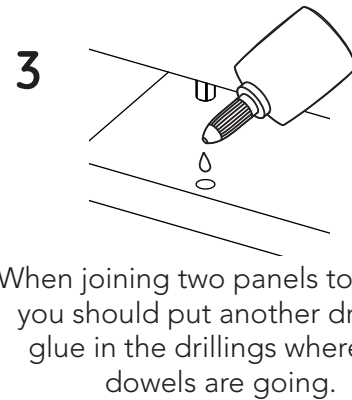
They are little wooden cylinders.



Before inserting the dowel, put a drop of glue inside the drilling.



Put in the dowel and softly hit it with the rubber hammer, until it's fully inside.

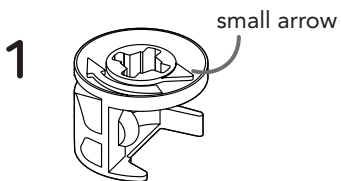


When joining two panels together, you should put another drop of glue in the drillings where the dowels are going.

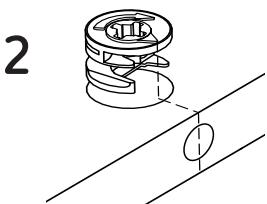
Don't forget to gently hit the panels to adjust the joint.

Minifix system

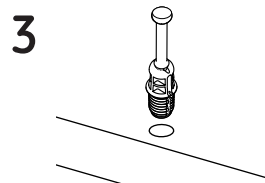
It's a joint compound of two parts: a spreading bolt and a Minifix cam.



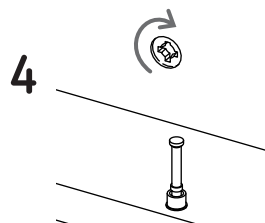
This is a Minifix cam. It has a little arrow on its upper surface.



You should insert these cams with the little arrow pointing towards the drilling on the panel's edge (shown on the left).



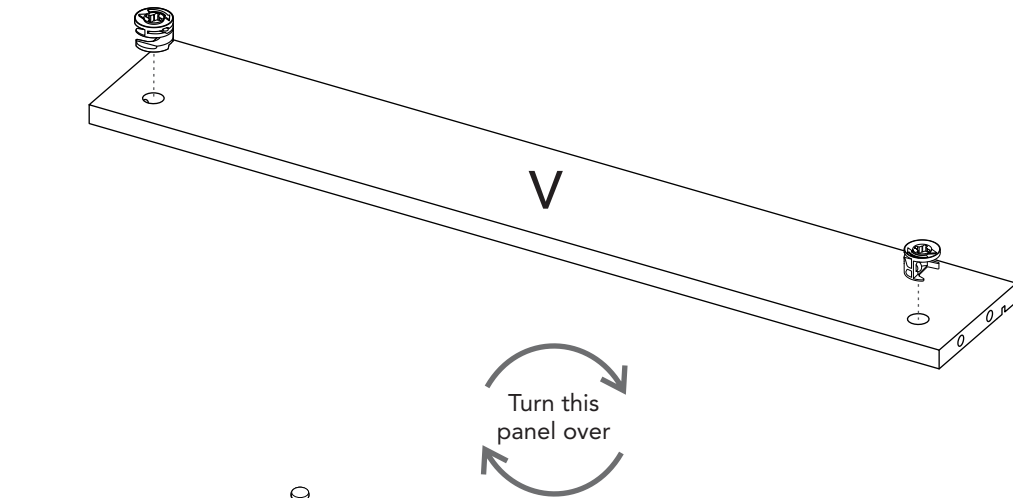
This is a spreading bolt. You should put it with the black plastic part facing down.



After joining two panels together you should turn the cams 180° with a phillips head screwdriver to adjust and secure the joint.

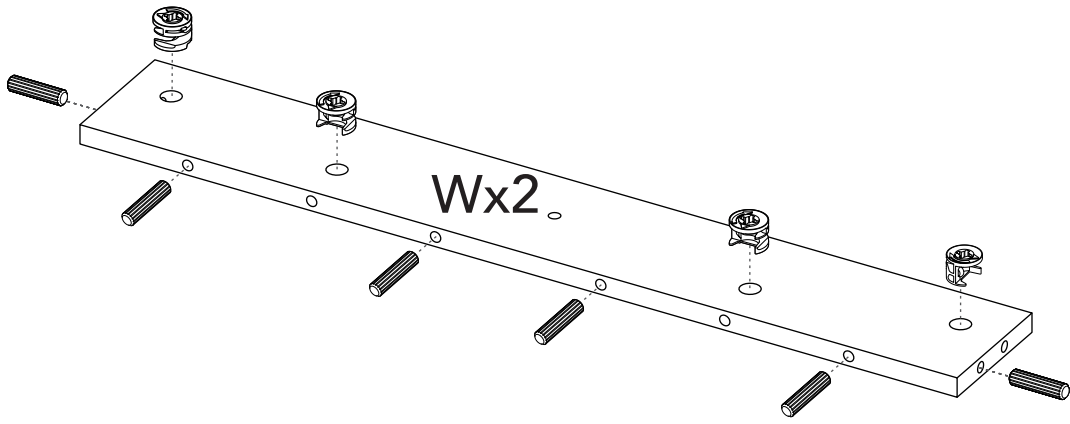
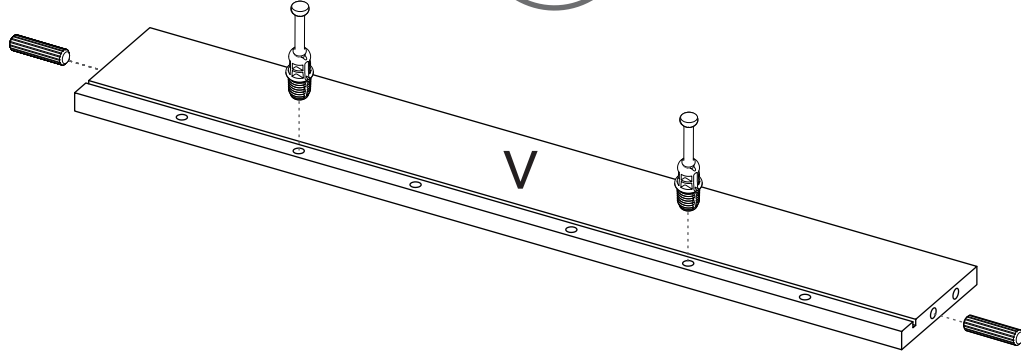
1 Let's start assembling!

You can see the last page of this manual to have a full look of the panels of this cabinet.

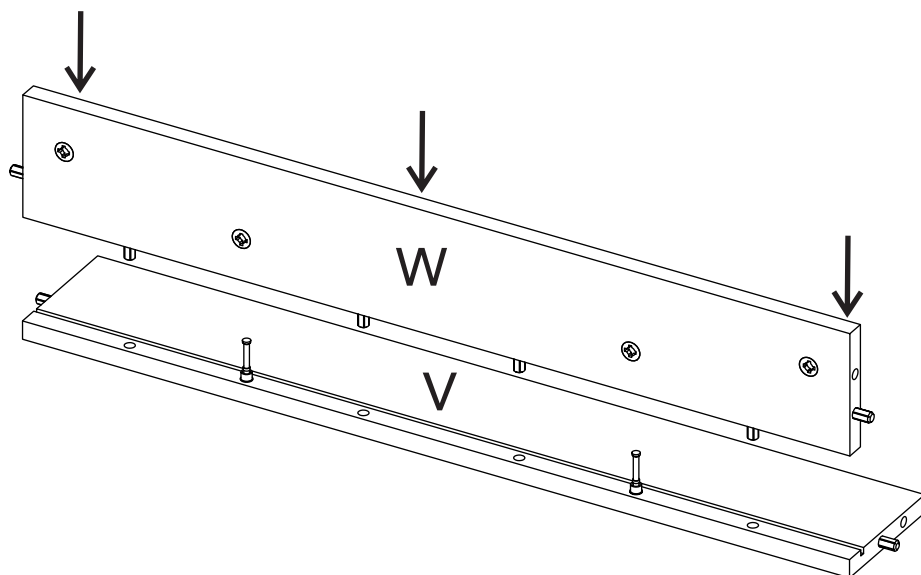


Turn this panel over

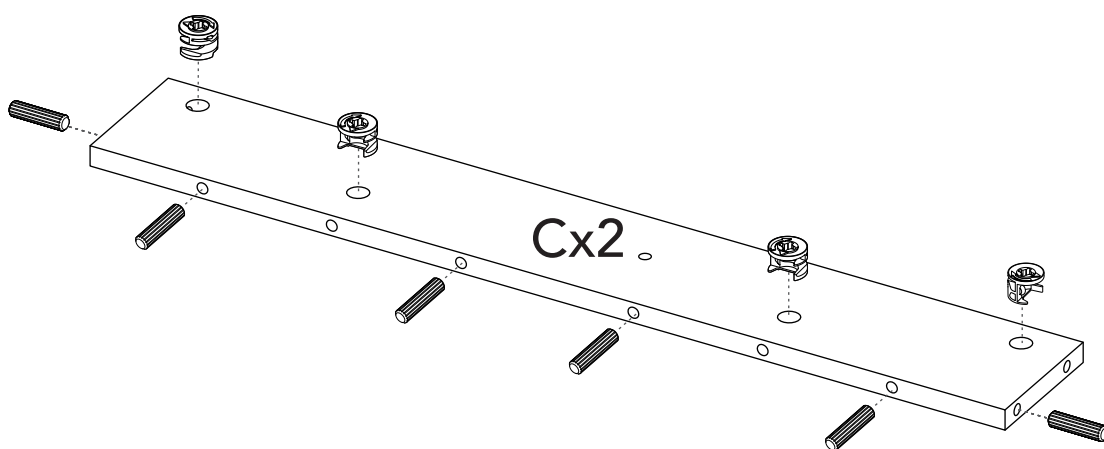
2



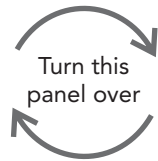
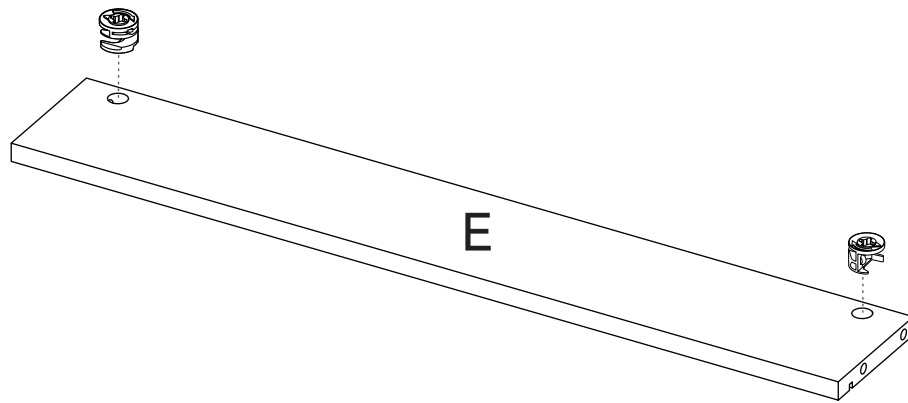
3



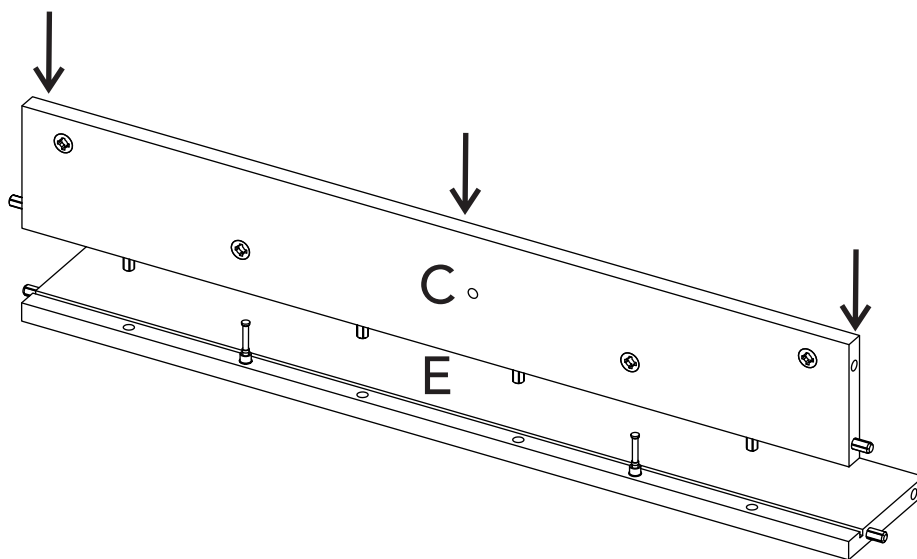
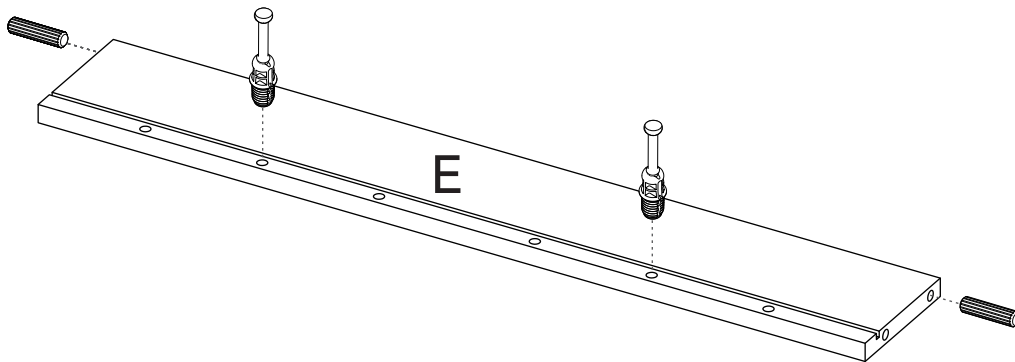
4



5

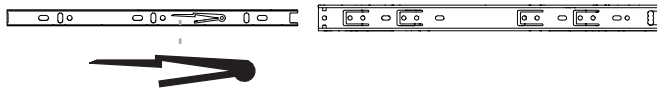


6

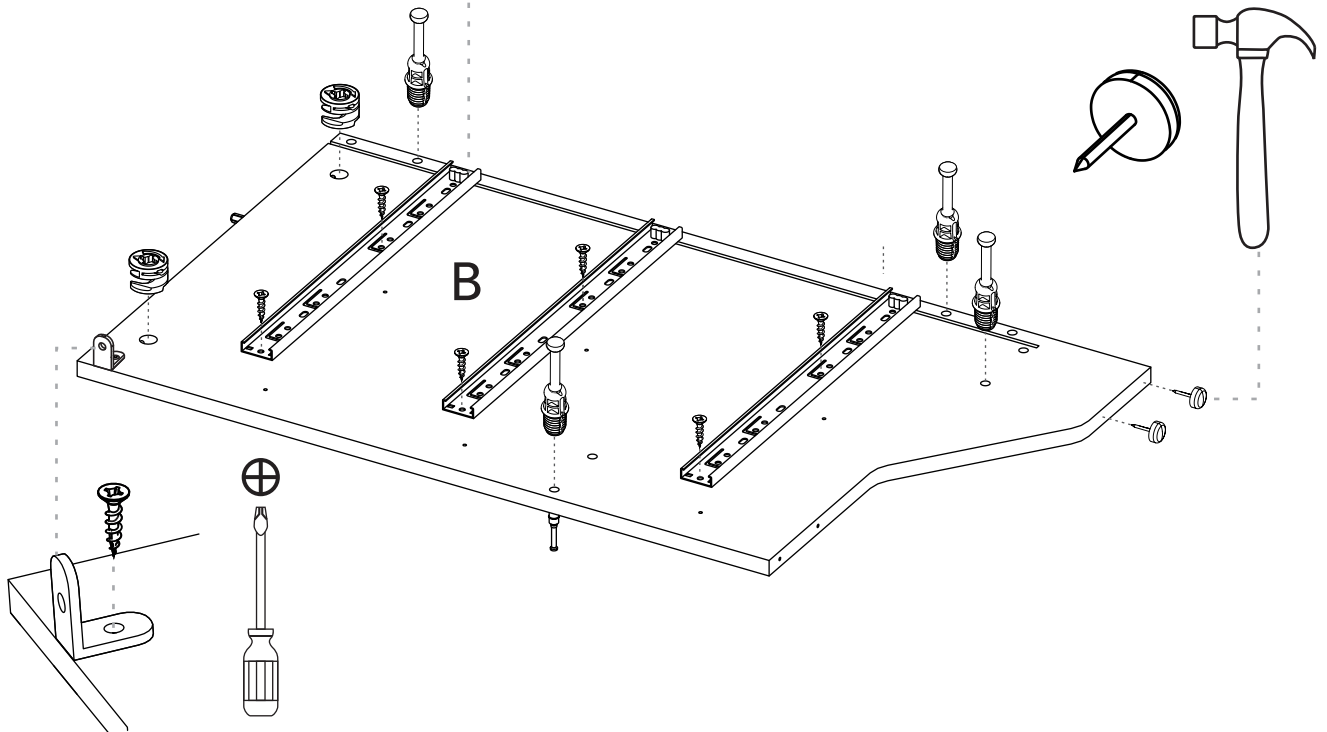
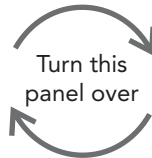
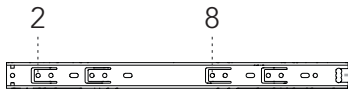
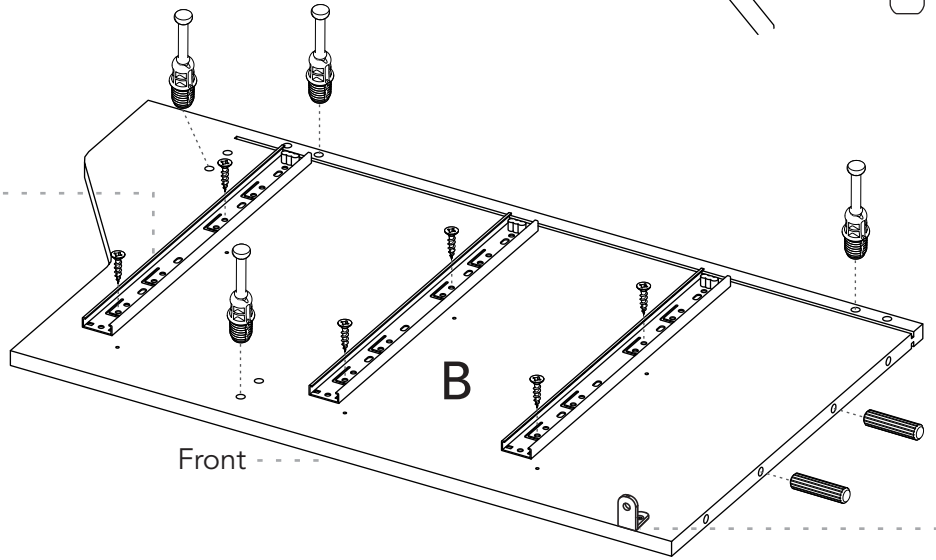
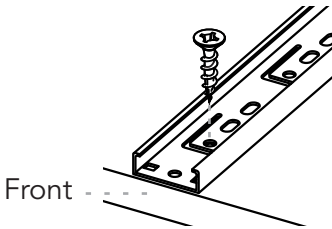
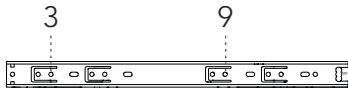
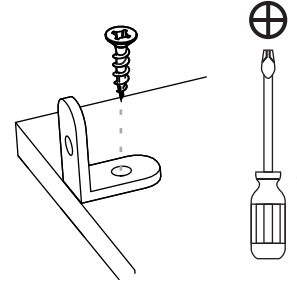


7 Drawer slides installation (apply for steps 7, 14 and 20)

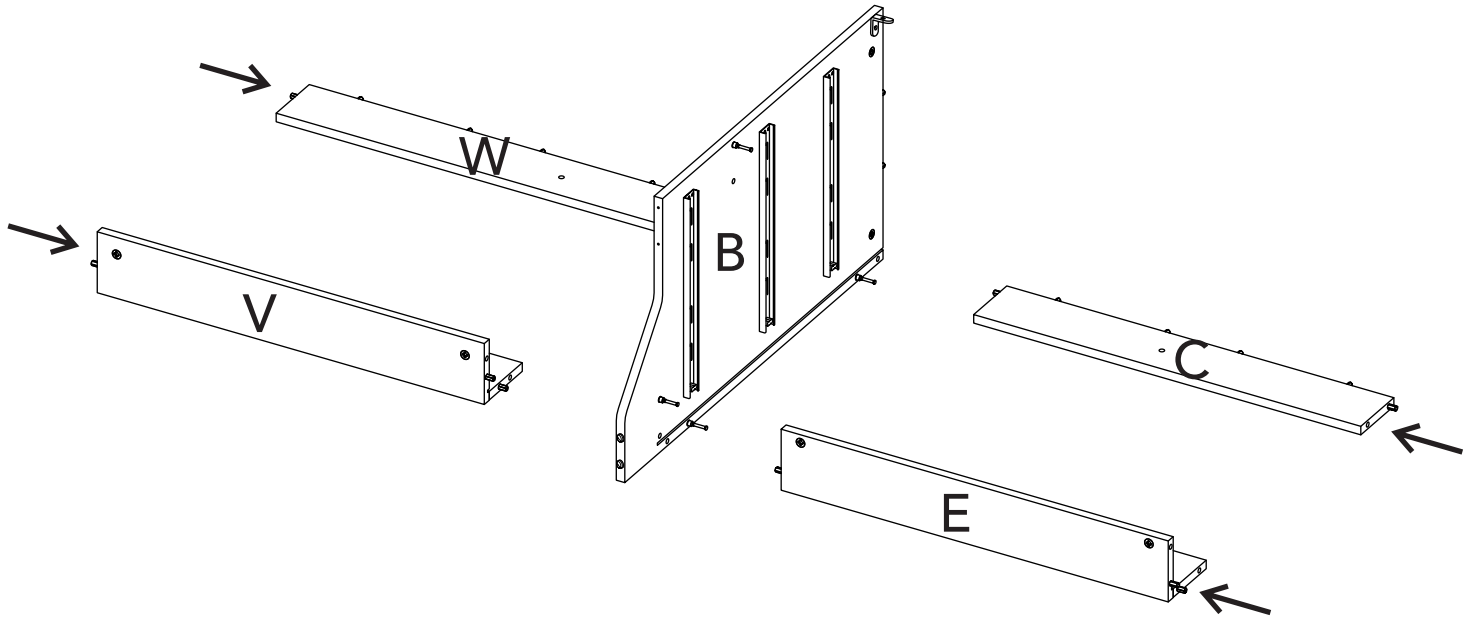
To begin, you must take out the smaller part of the slide, pushing down the black plastic part shown below:



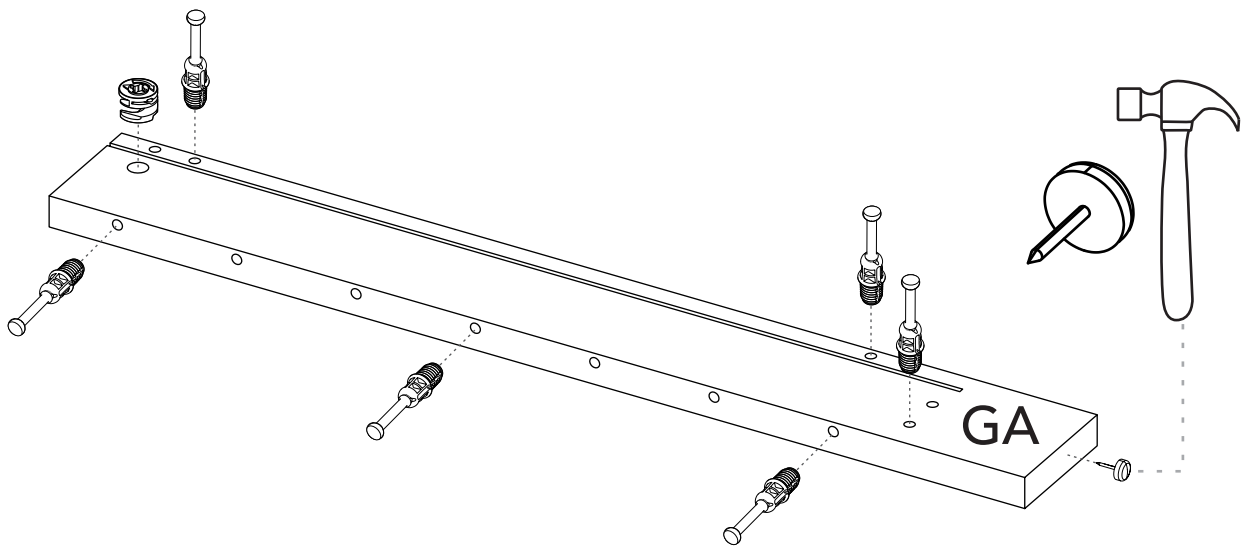
Take the bigger part of the slide and place it over the panel. The plastic stop should go towards the back.



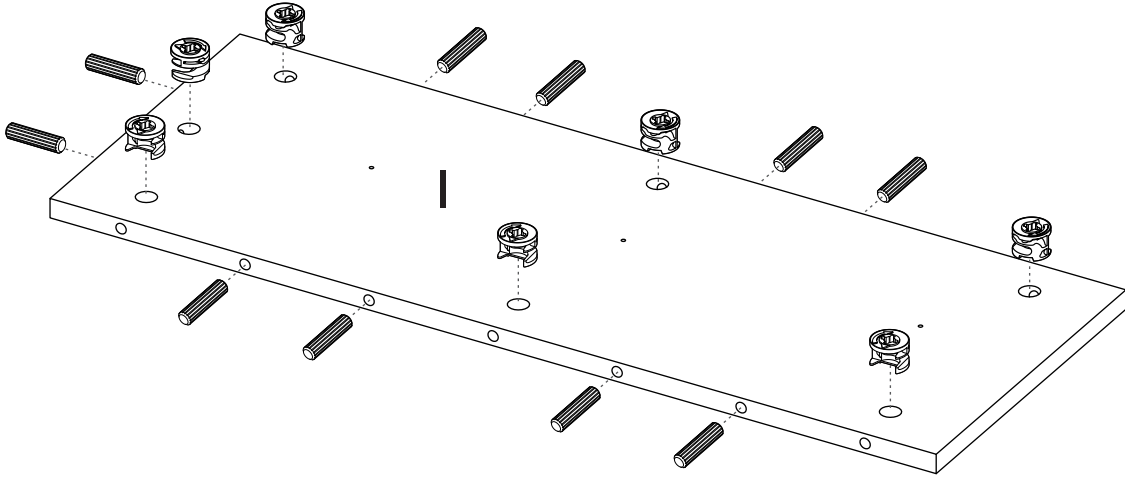
8



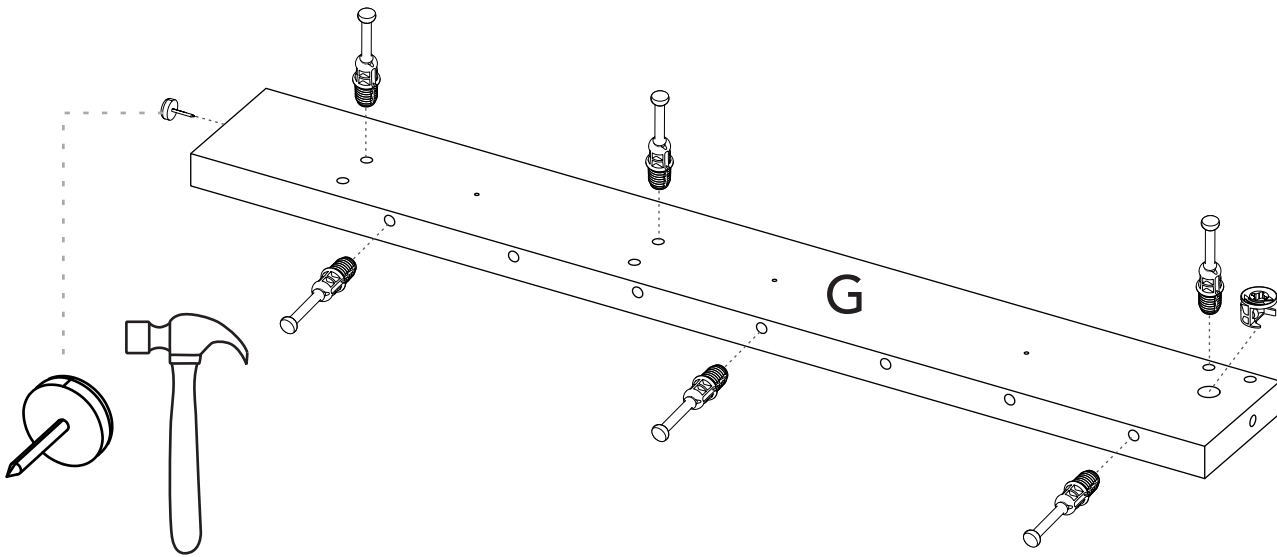
9



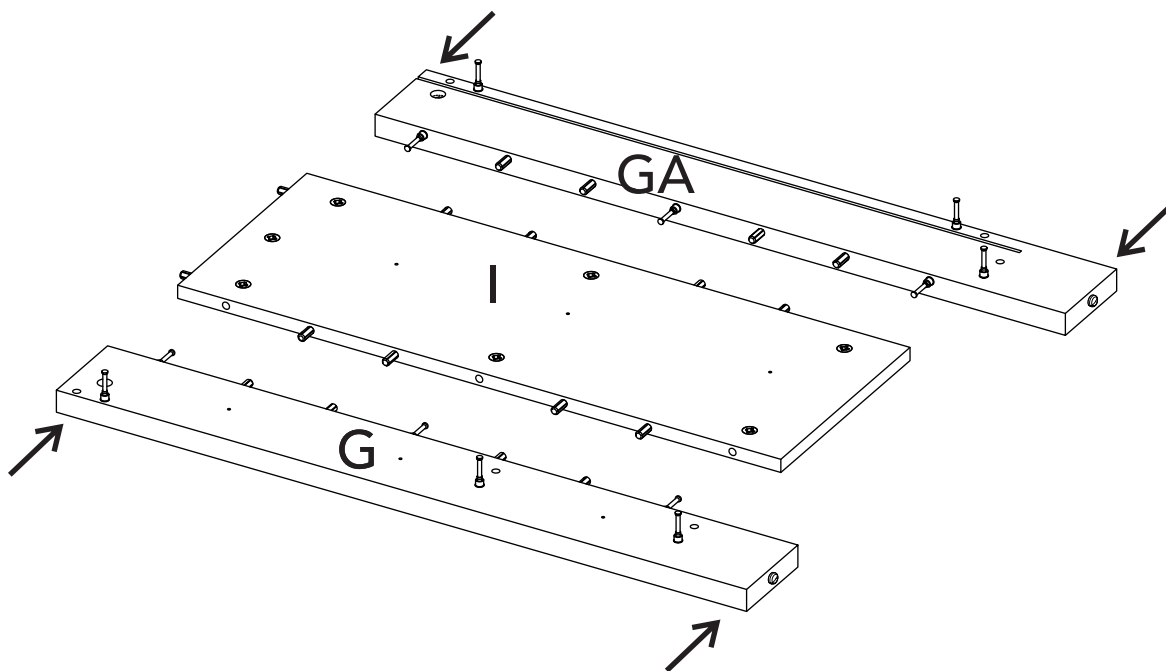
10



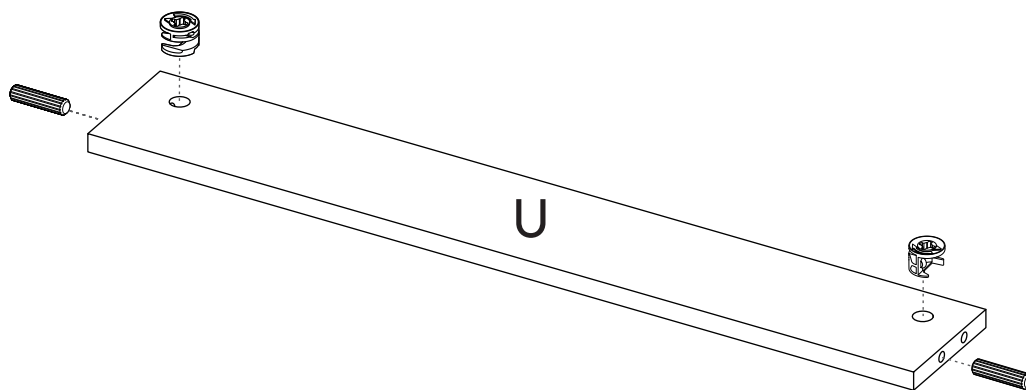
11



12

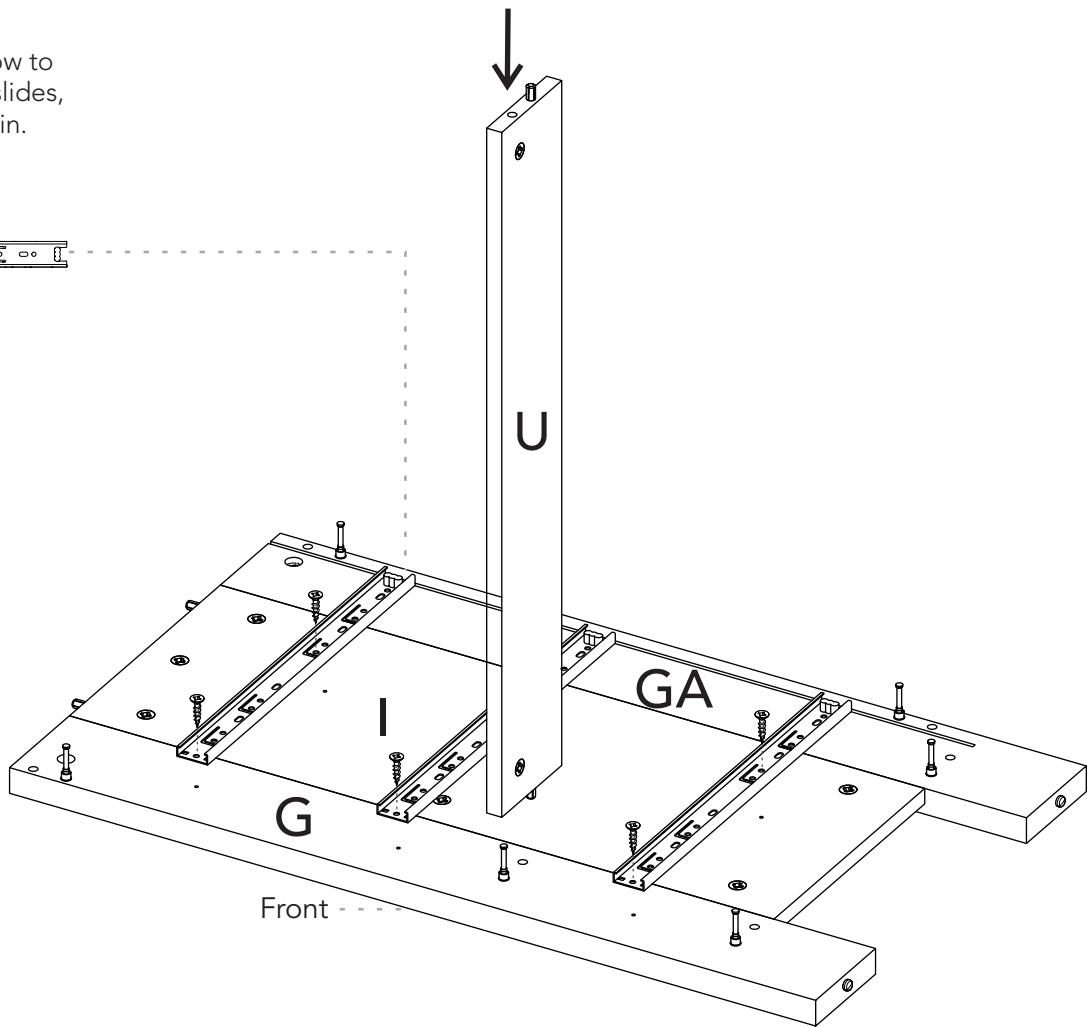
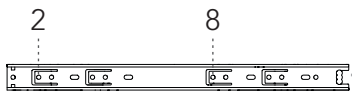


13

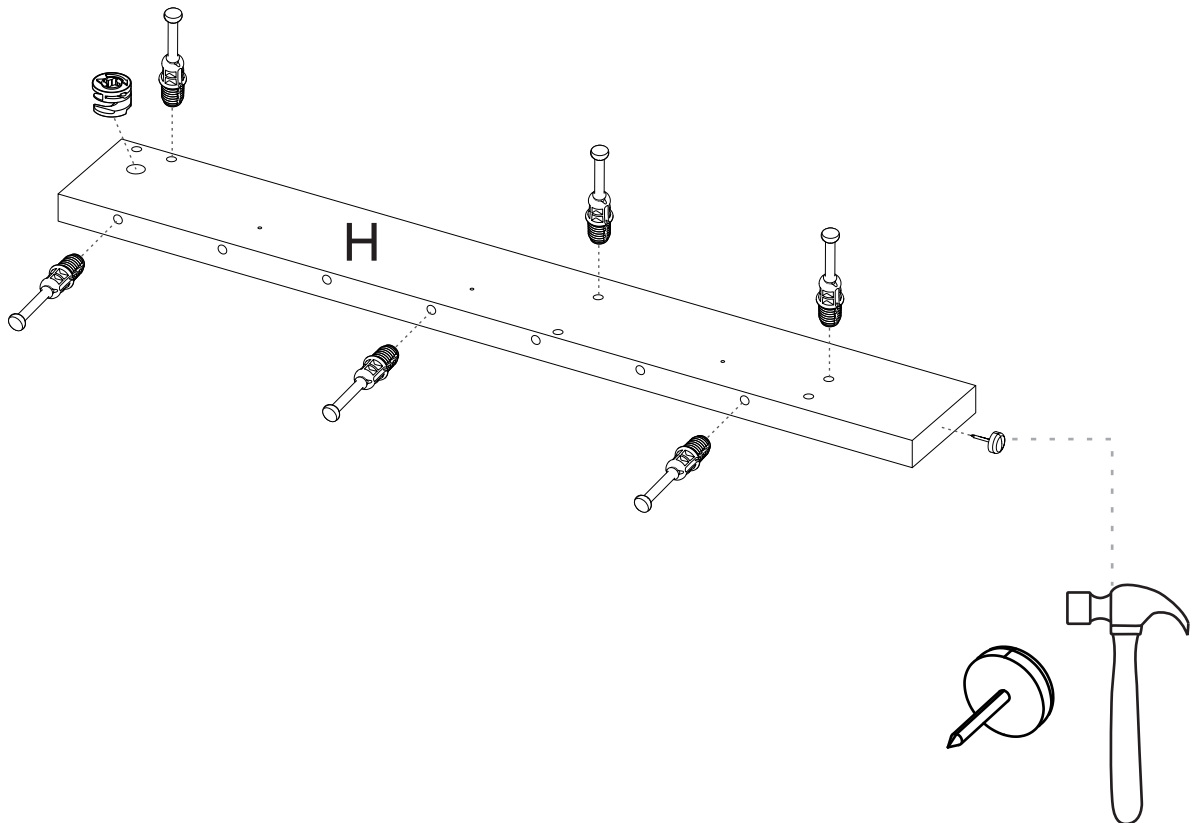


14

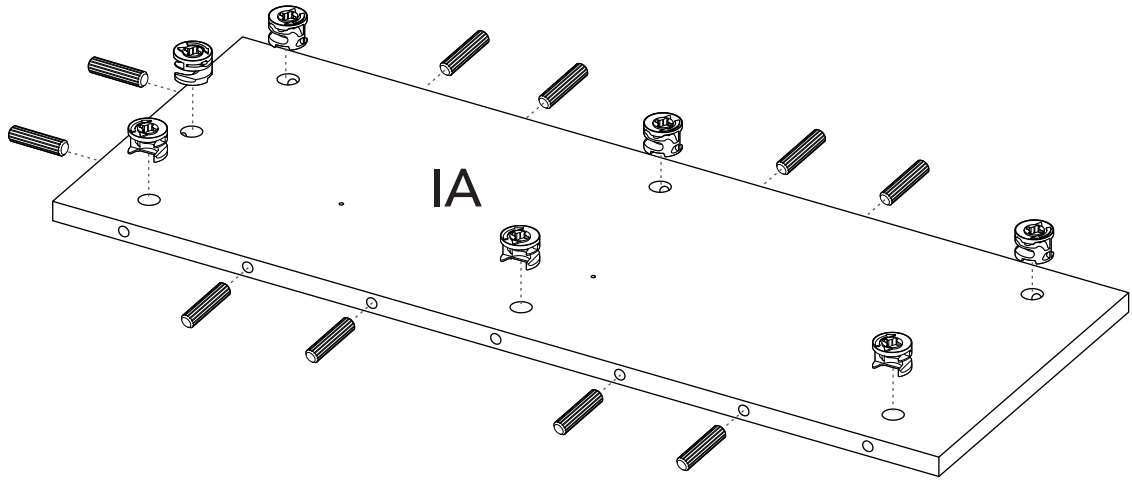
If you want to recall how to install this part of the slides, go to the 7th step again.



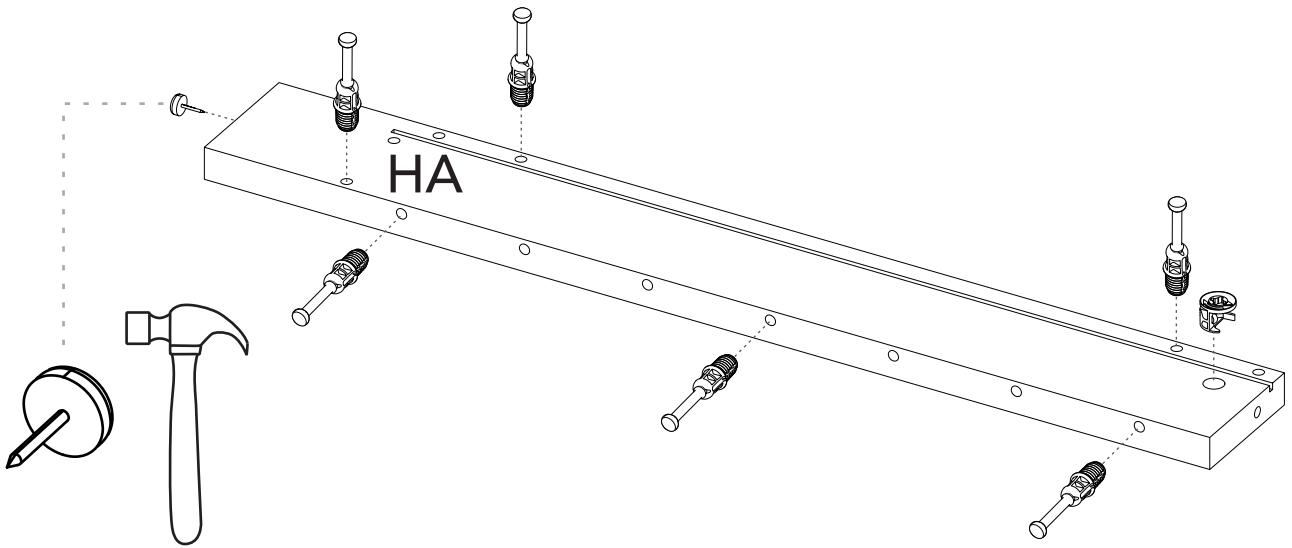
15



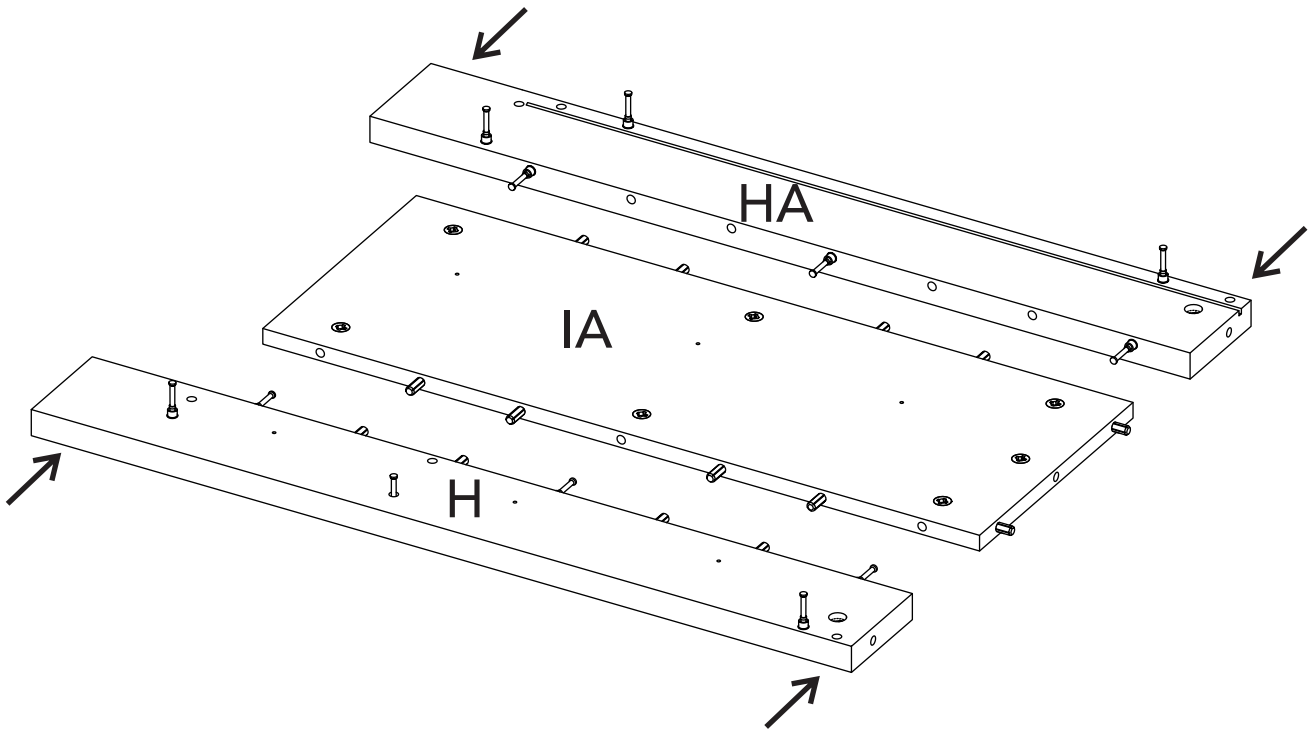
16



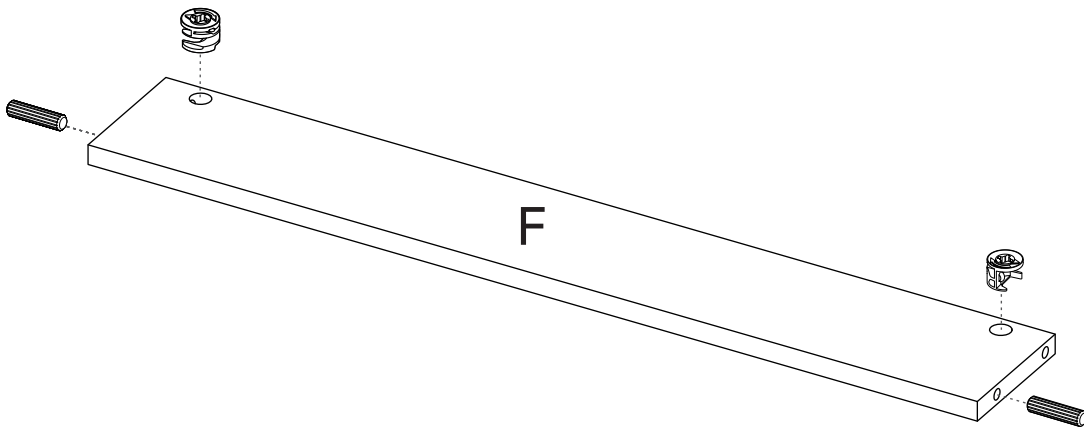
17



18

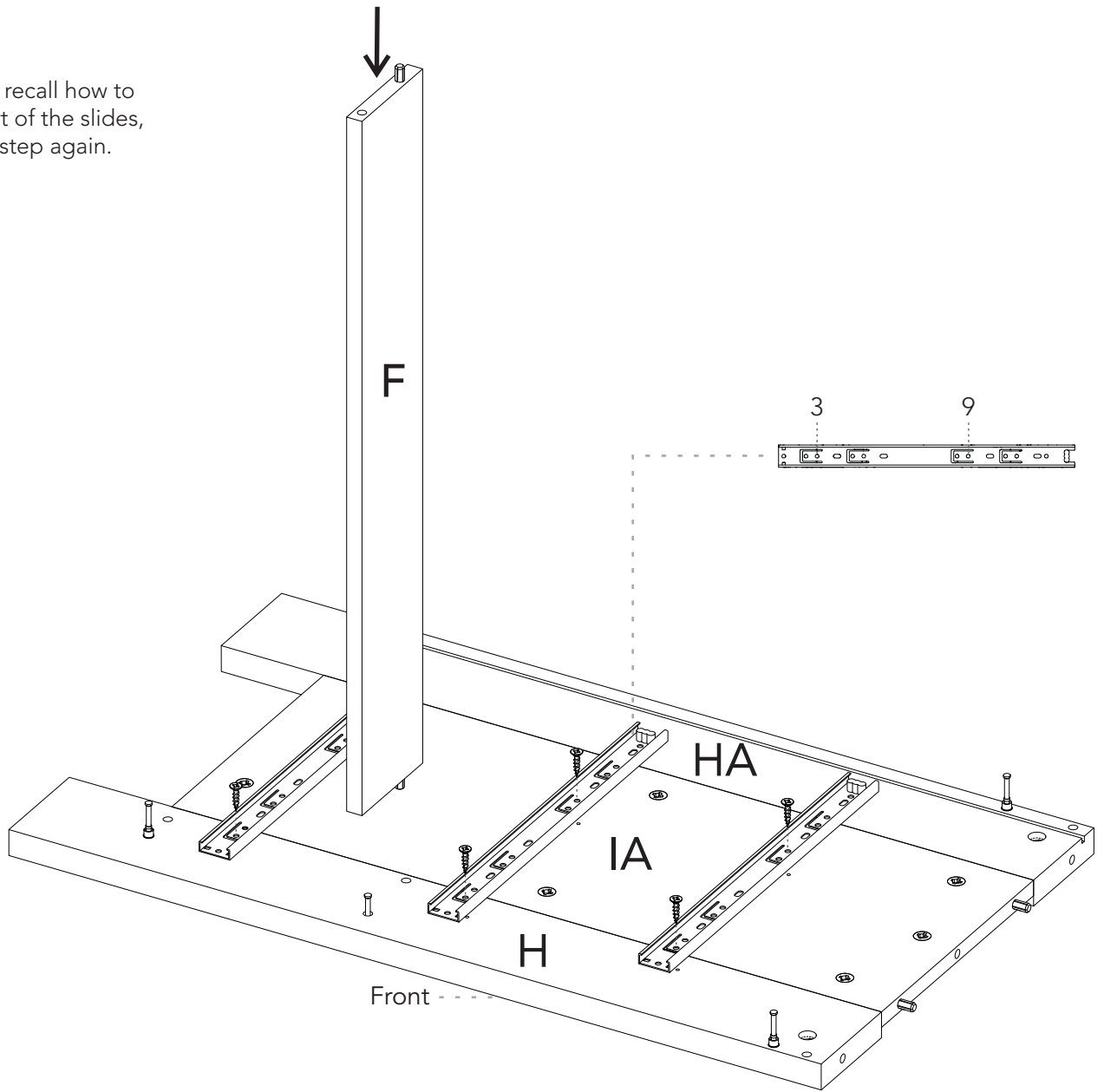


19

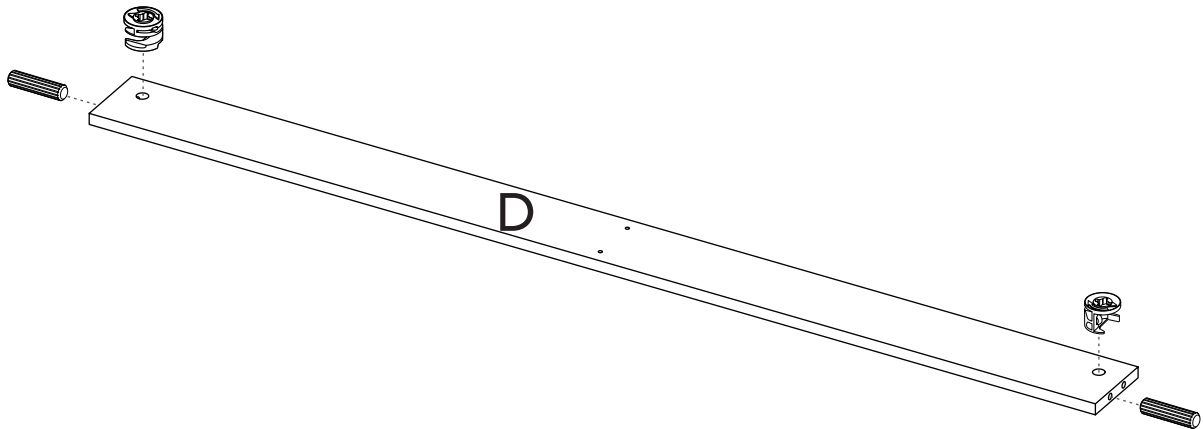


20

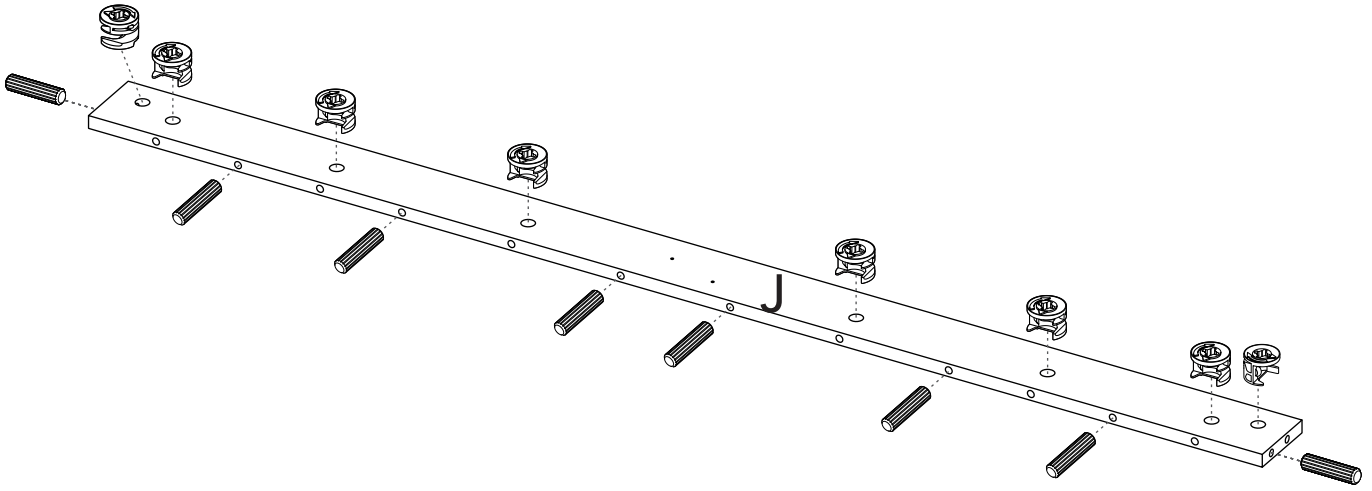
If you want to recall how to install this part of the slides, go to the 7th step again.



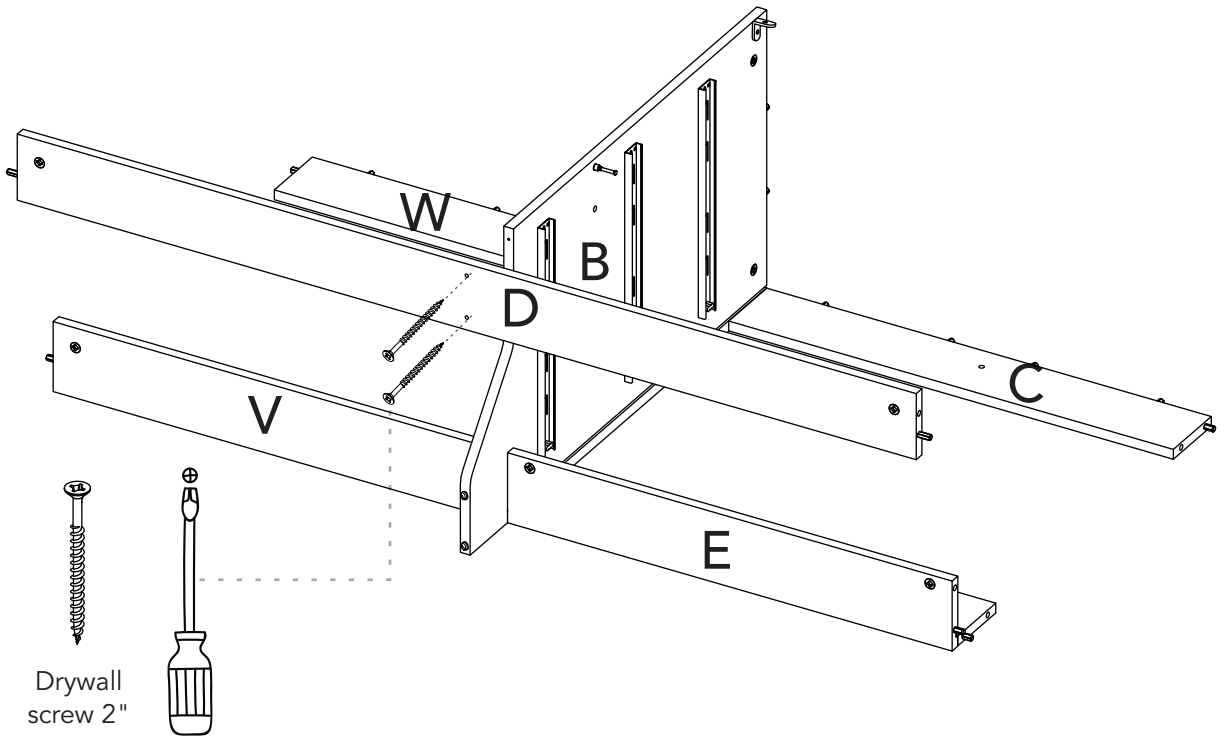
21



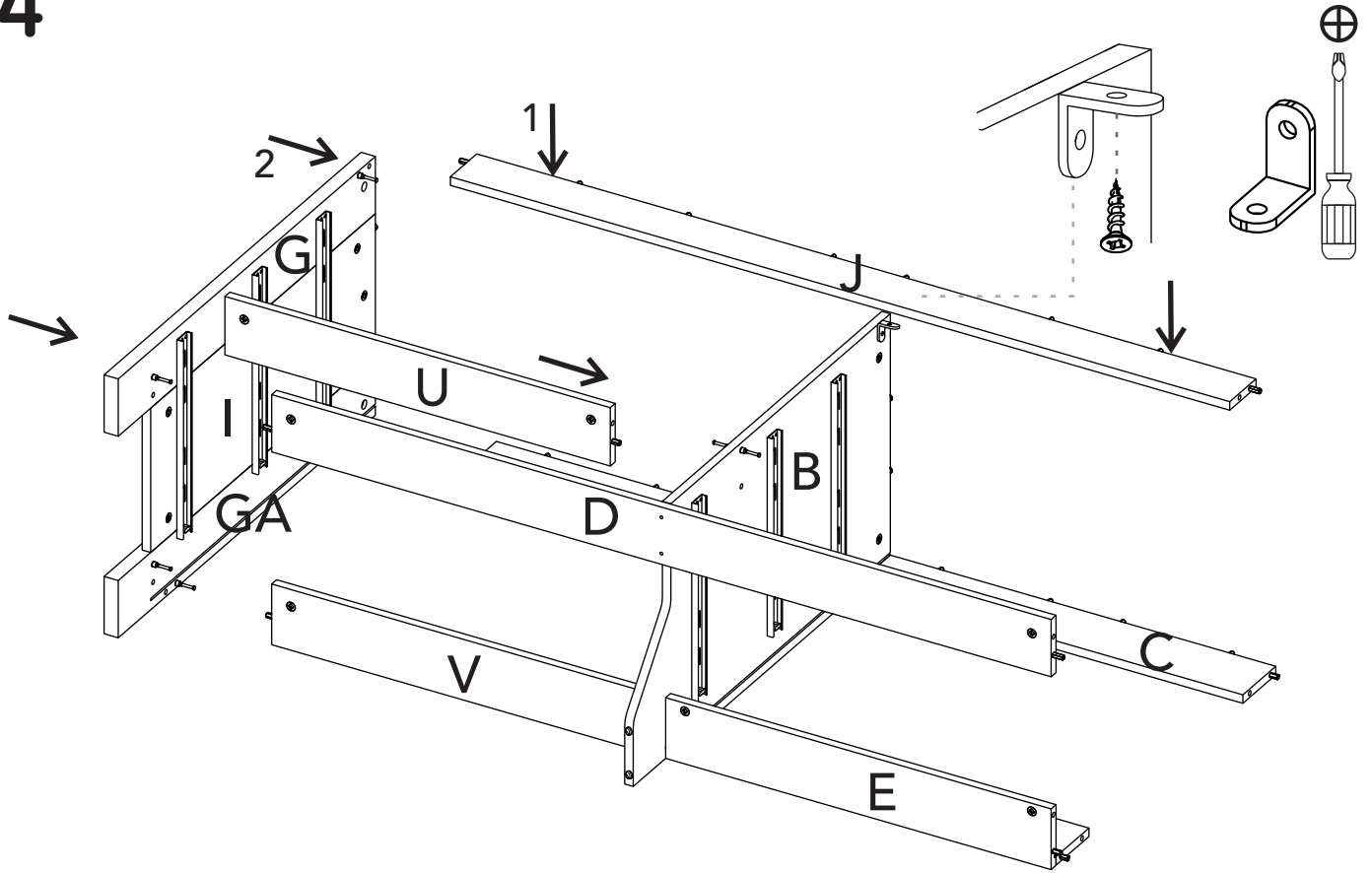
22



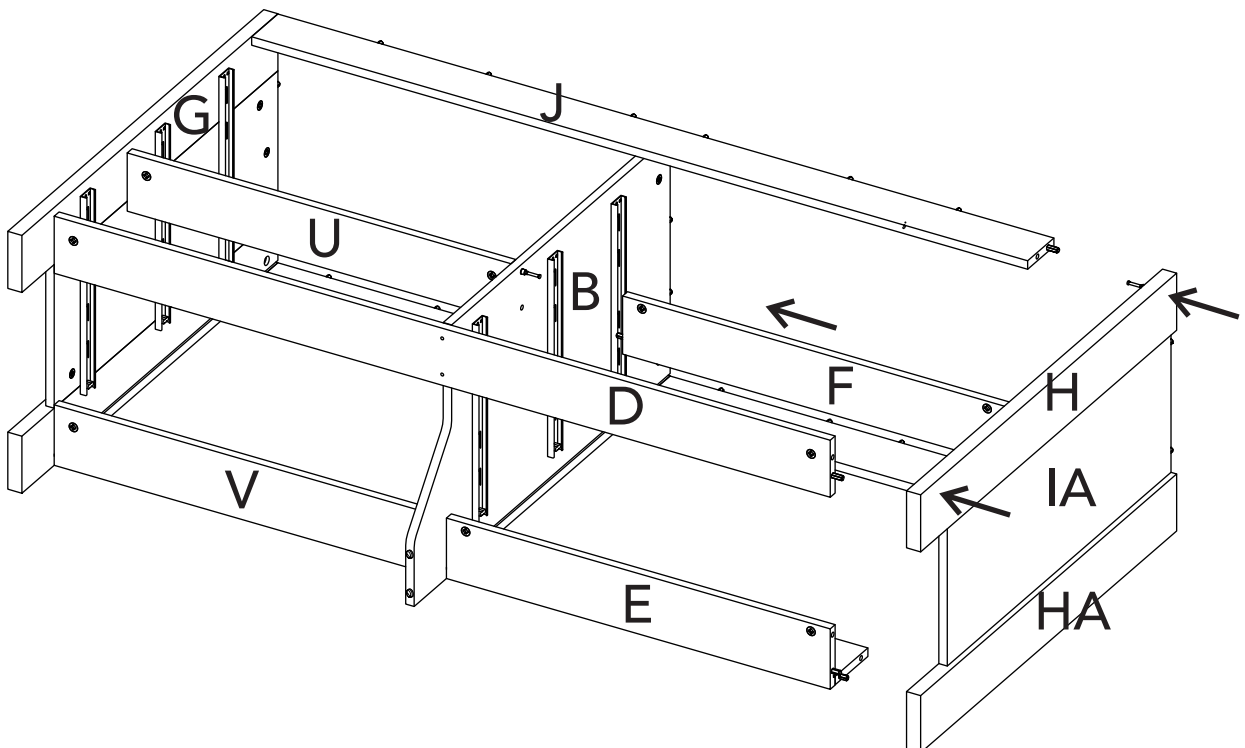
23



24

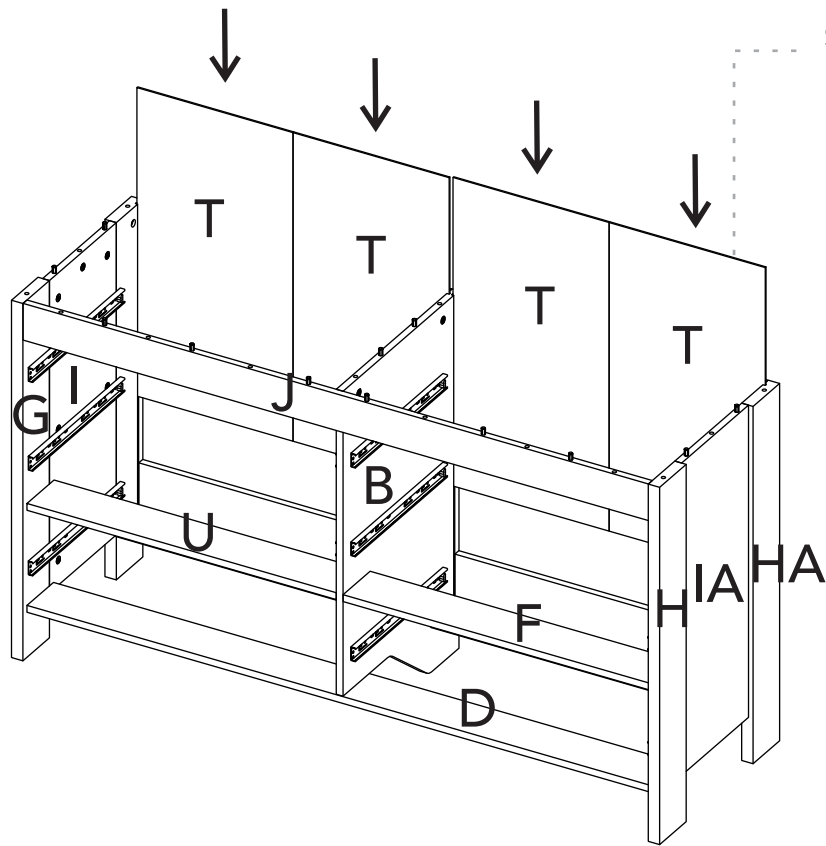


25

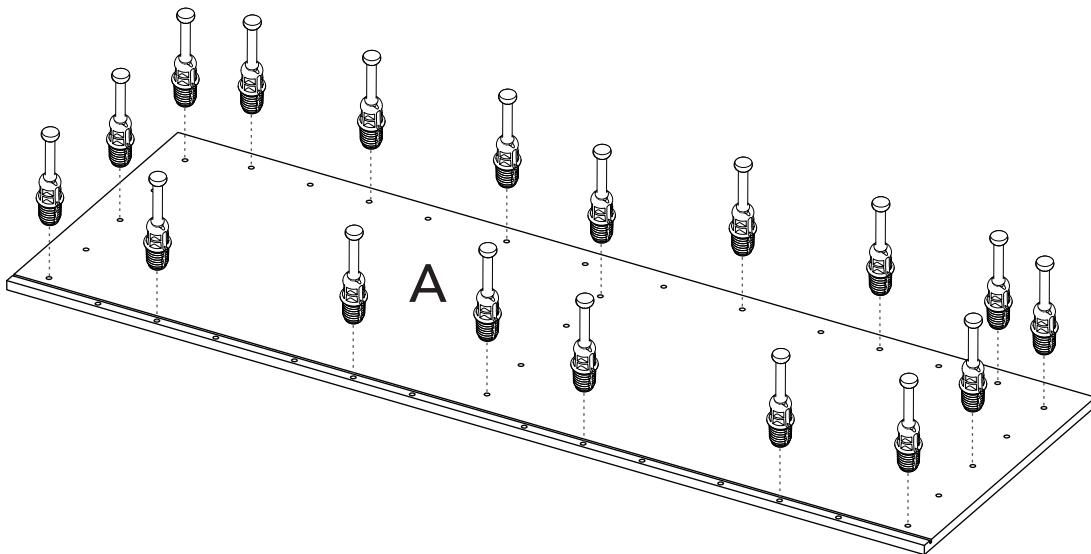


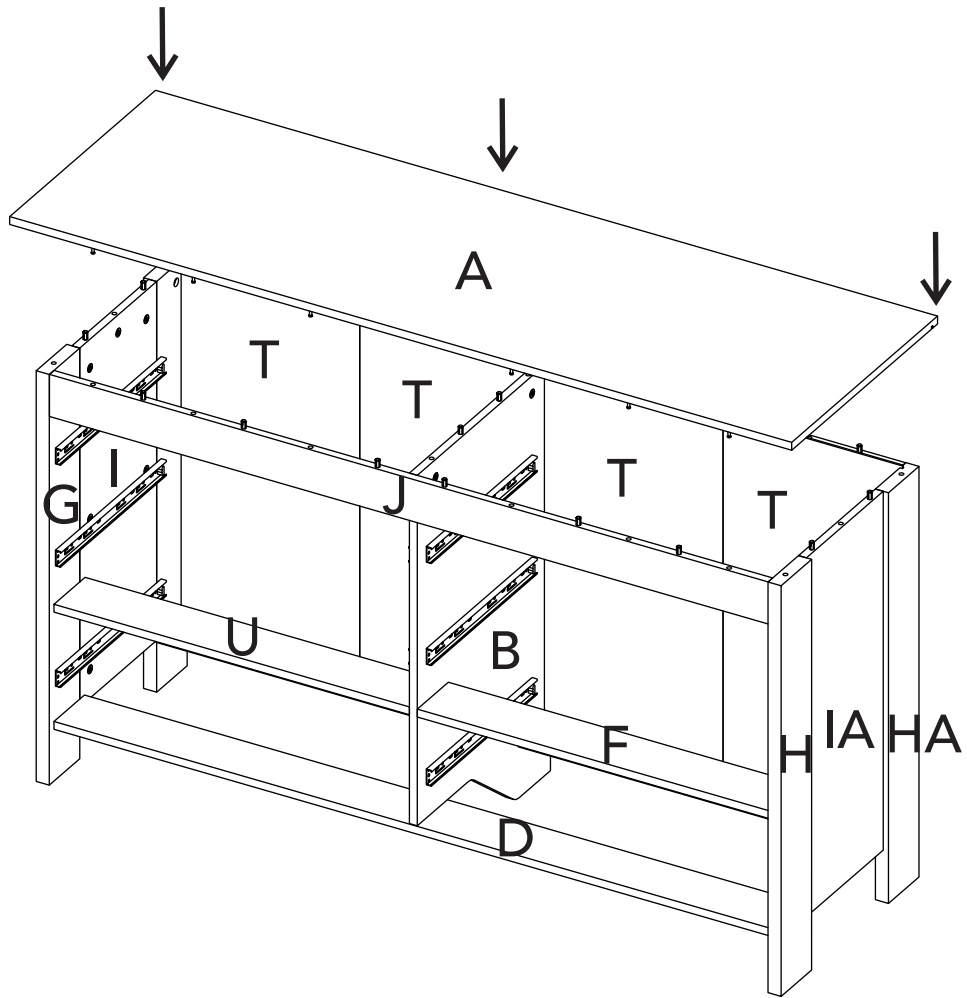
26

Turn over
the cabinet
very carefully!



27





29

Fix your cabinet to the wall

1 On the wall, measure and mark the points shown below.



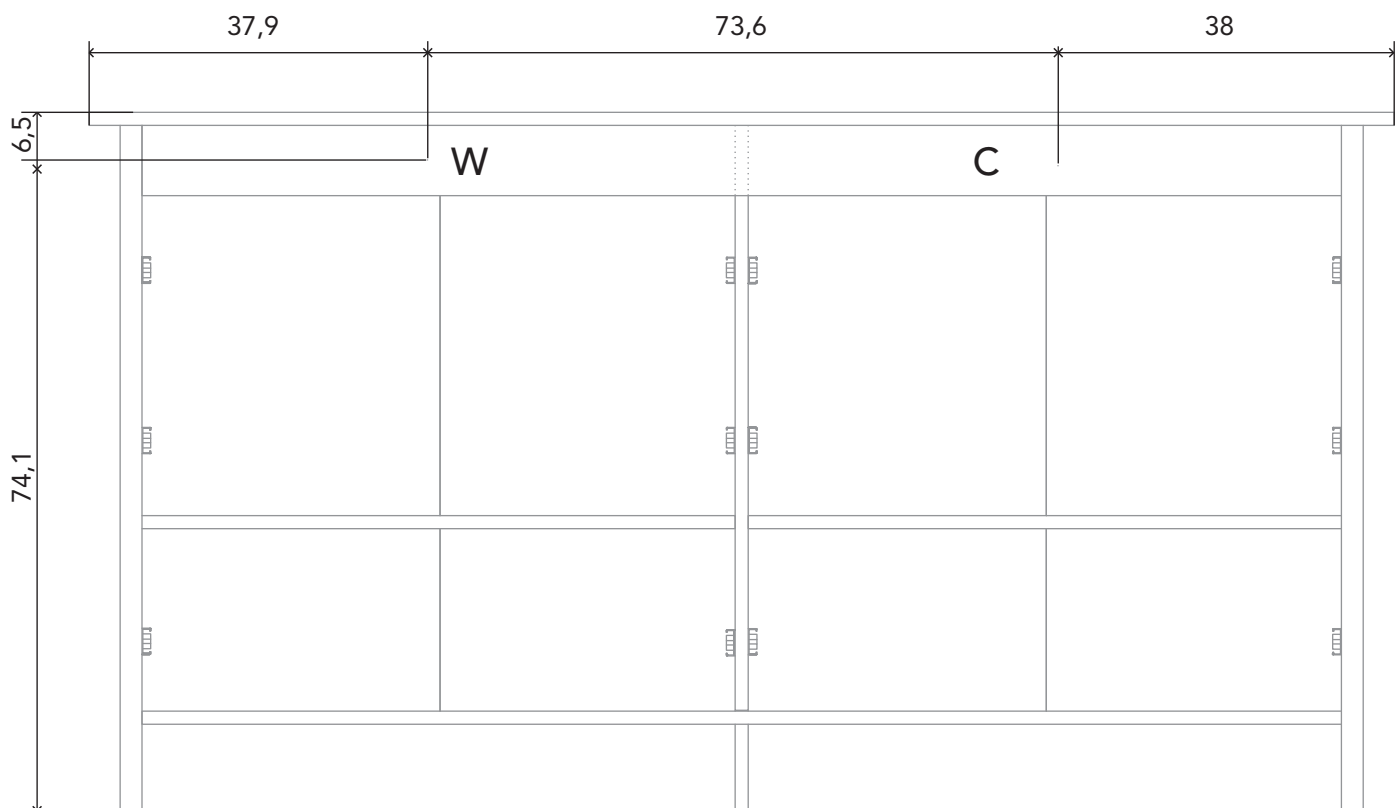
2 Drill on the markings with a 5/16" drill bit.



3 Insert the wall anchors inside the drillings.



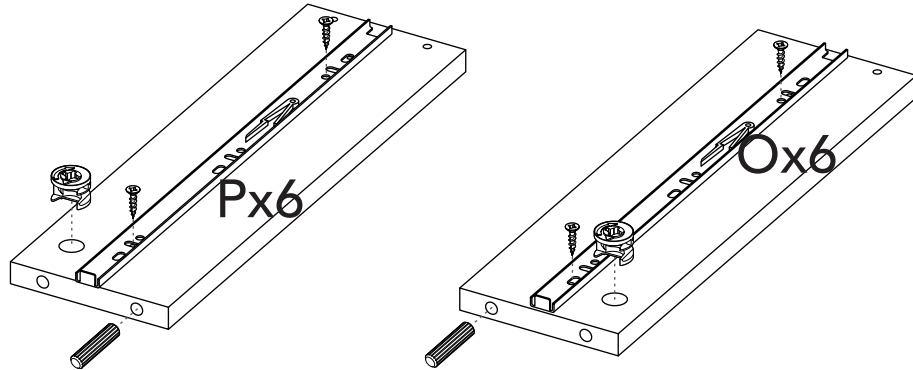
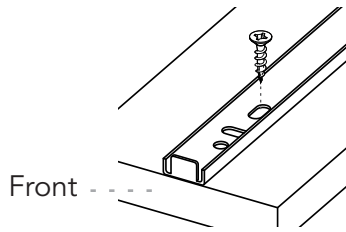
4 Place the cabinet and secure it with the screws.



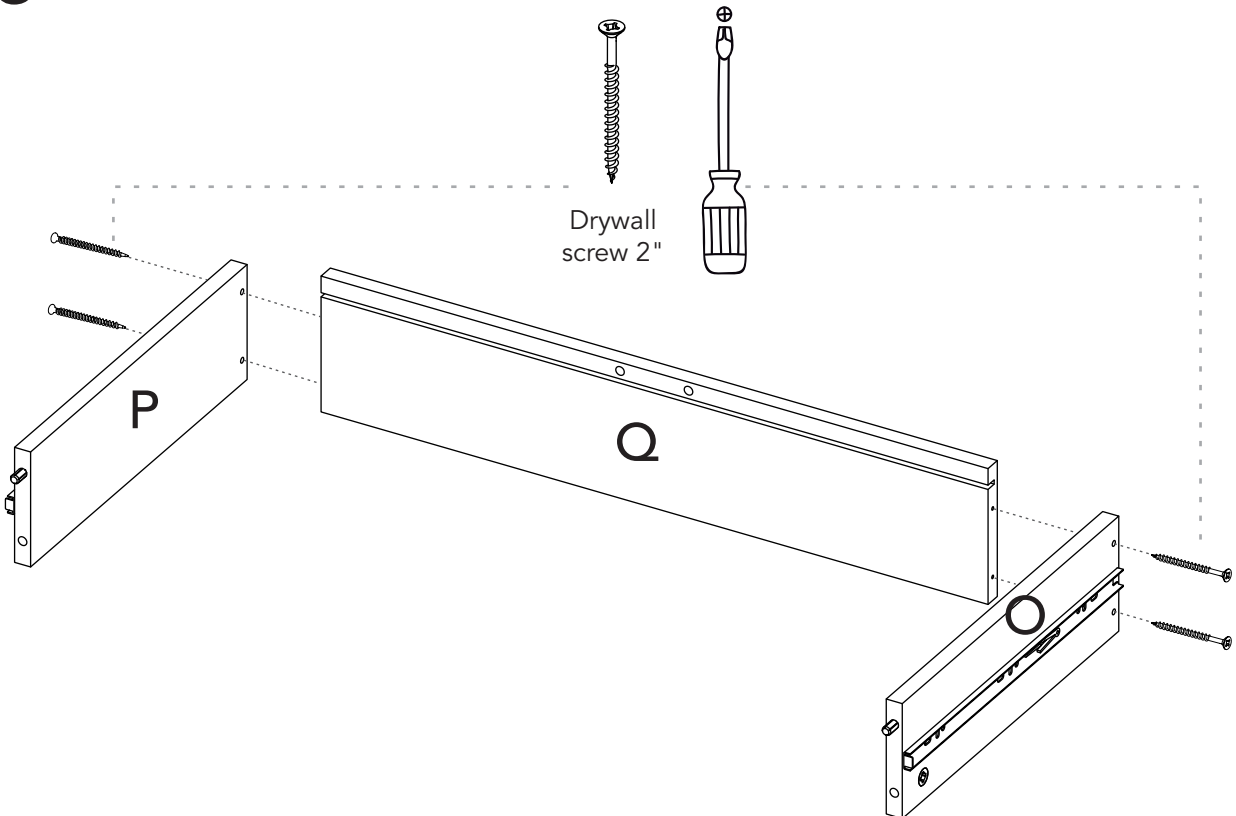
*Dimensions in inches

30

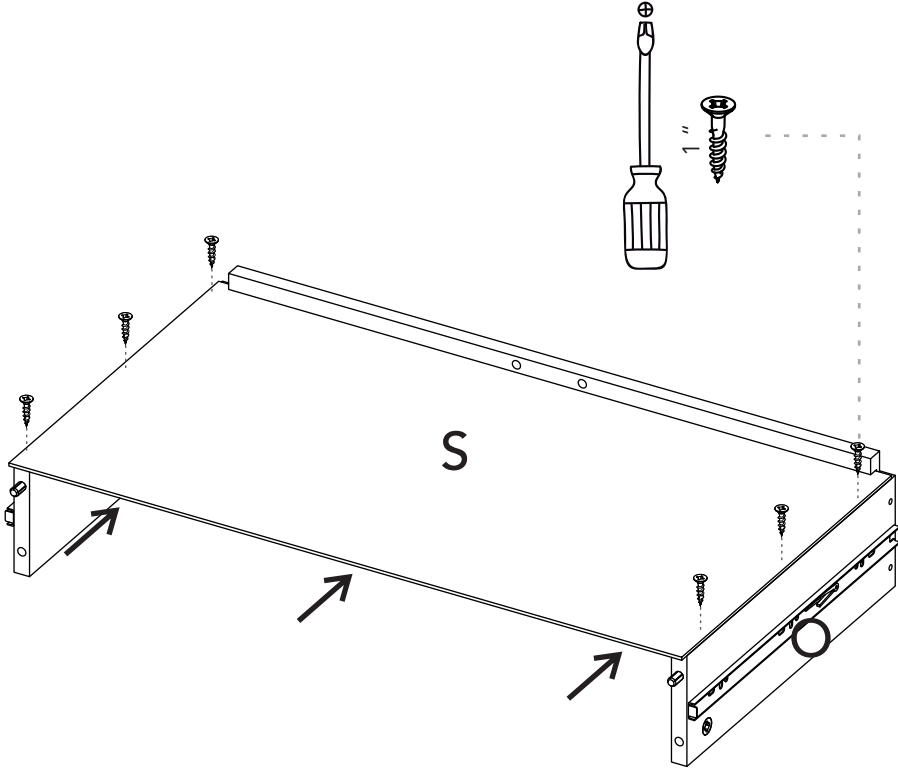
Take the smaller part of the slide and place it over the panel. The metallic stop should go at the front.



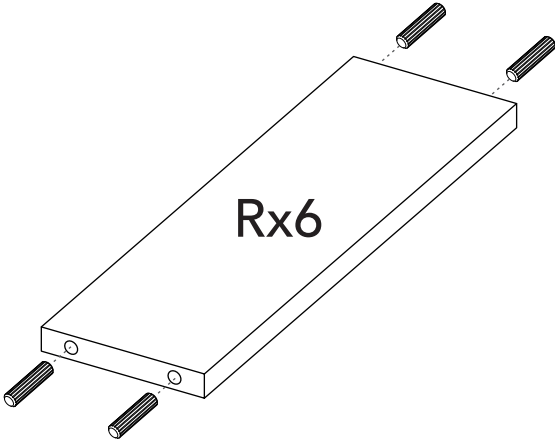
31x6



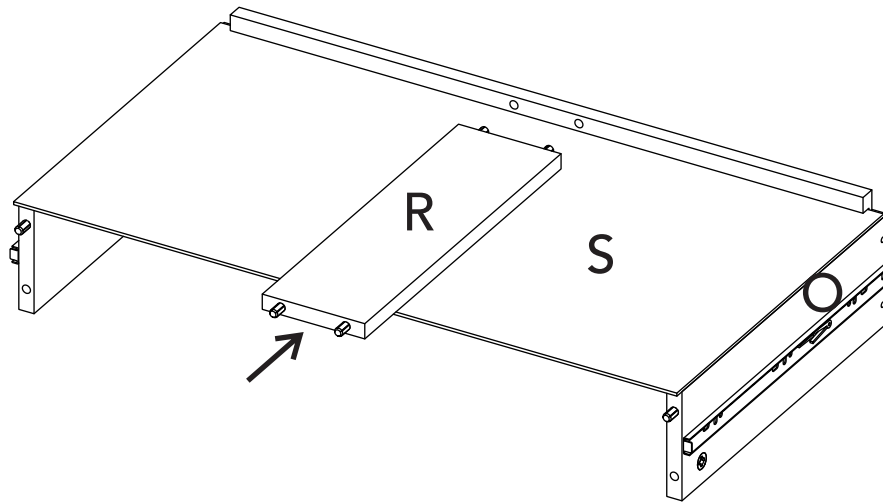
32x6



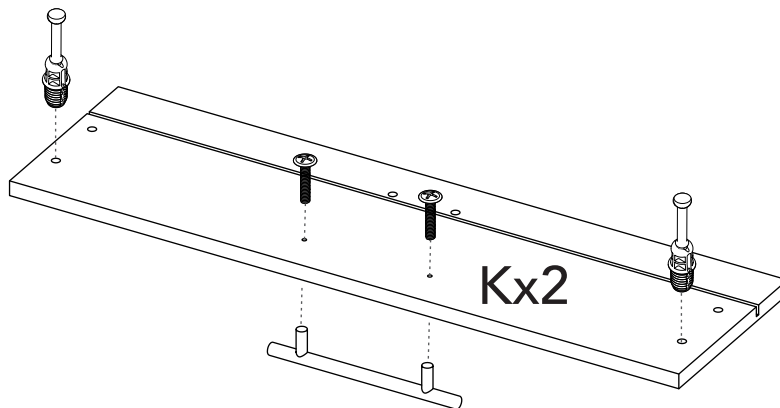
33



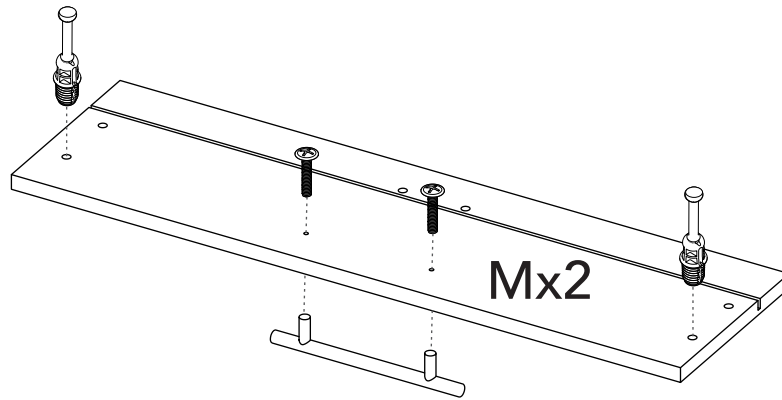
34x6



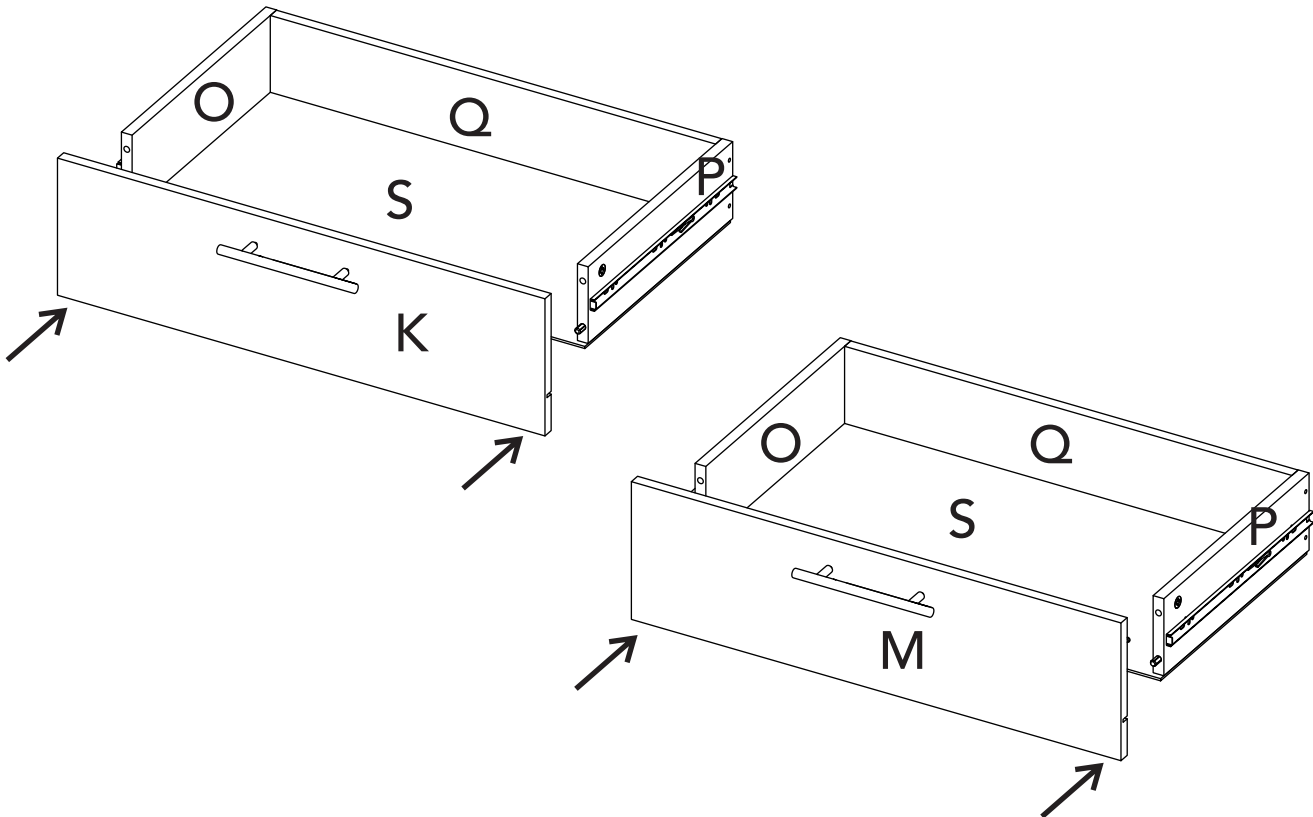
35



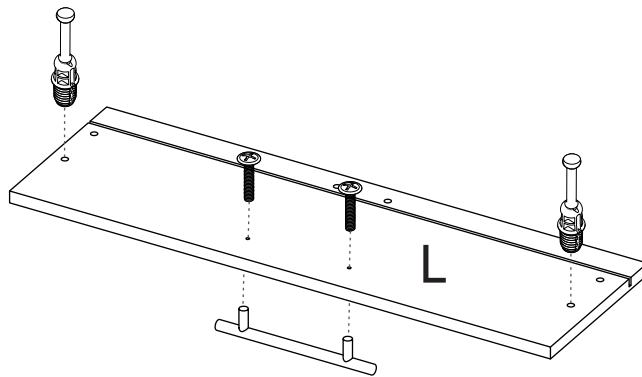
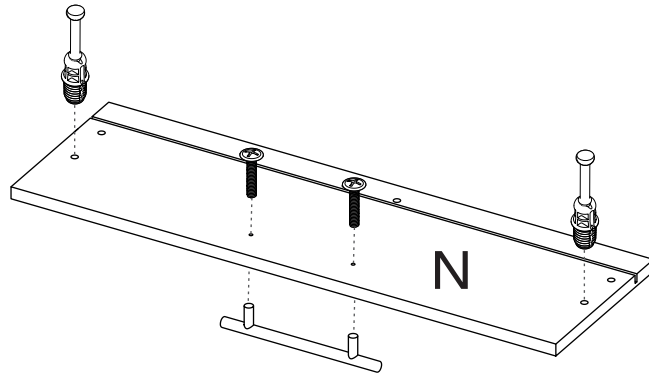
36



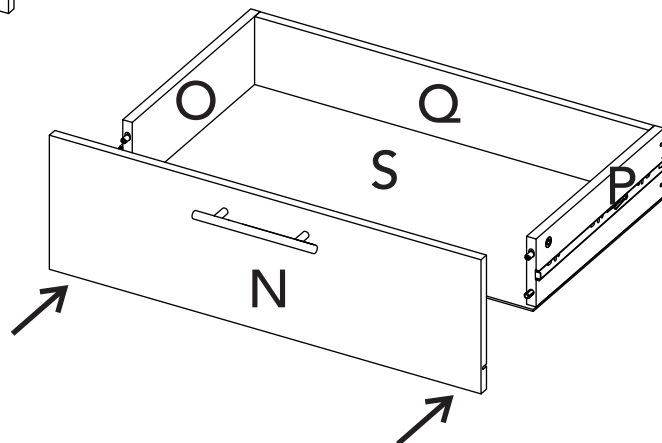
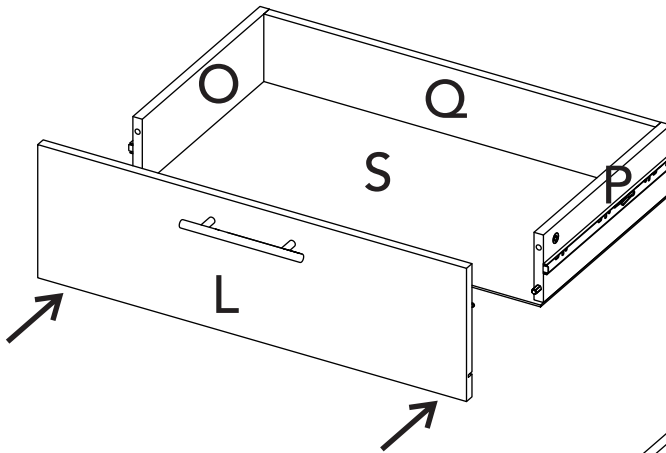
37x2



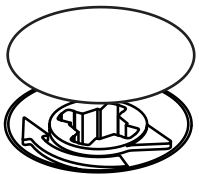
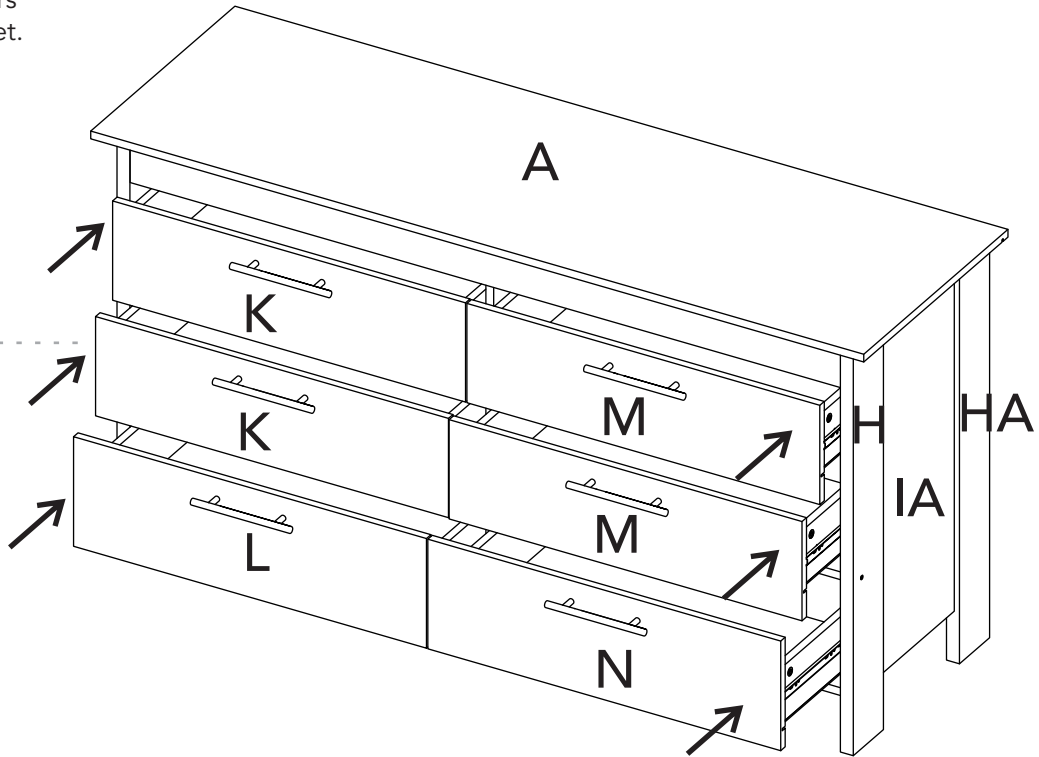
38



39



Slide the drawers inside the cabinet.

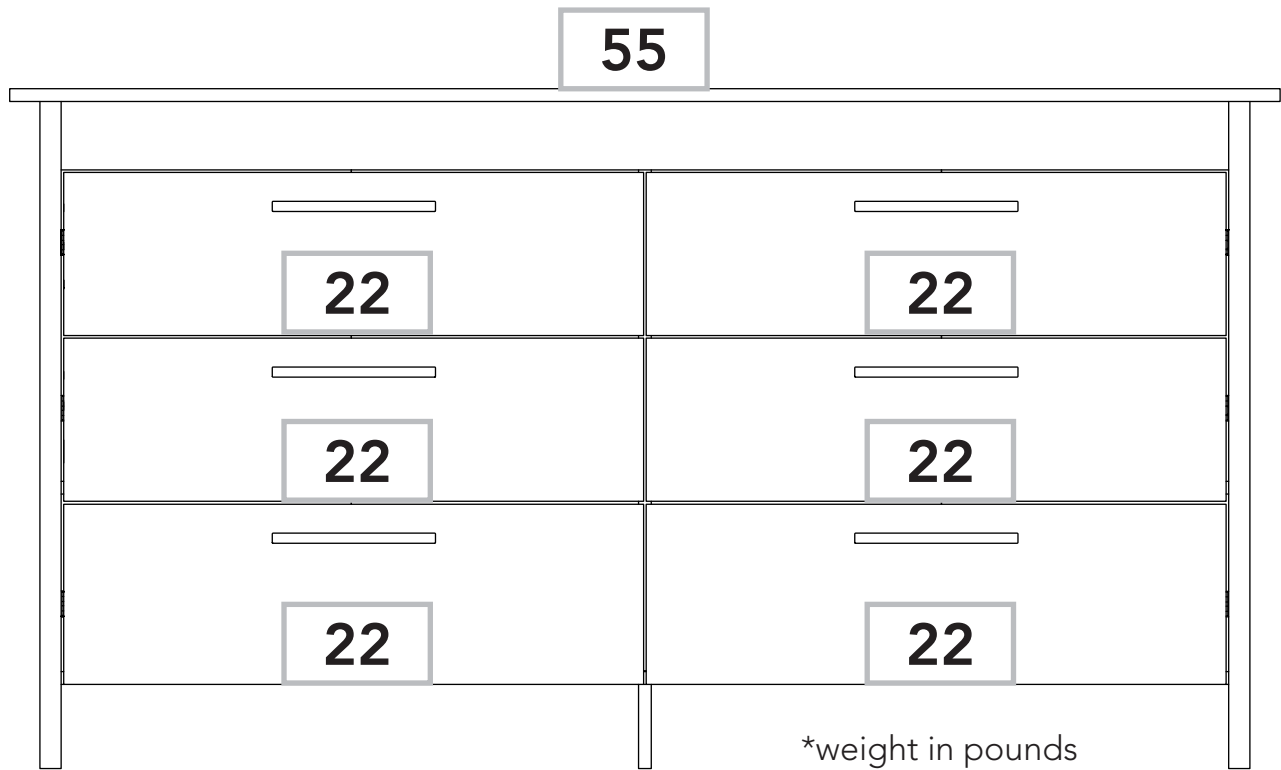


After adjusting all the Minifix cams, cover them up with the cover caps.



After finishing the assembly, lift off all the adhesive letters.

How much weight does my cabinet resist?



**Congratulations!
It's done**

But don't go yet!

There are some recommendations left for you to take care of your cabinet correctly from now on.

SUPER IMPORTANT!

We suggest fixing the cabinet to the wall, so we can avoid the cabinet tipping and harming anyone. Be specially careful with the kids.

Taking care of your cabinet:

- Do not paint the cabinet.
- The cabinet it's exclusively for indoor spaces. Do not expose it to the direct sun.
- Clean the metallic hardware with a dry cloth.
- DO NOT overload the cabinet (see suggested loads)
- Do not hit or hammer the cabinet (only when indicated here).
- Clean it with thinner, a soft soap solution or simply a damp cloth.
- Don't drag the cabinet, lift it up with other people.
- Avoid direct contact with water, fire or exposing it to high heat.

Cabinet panels

