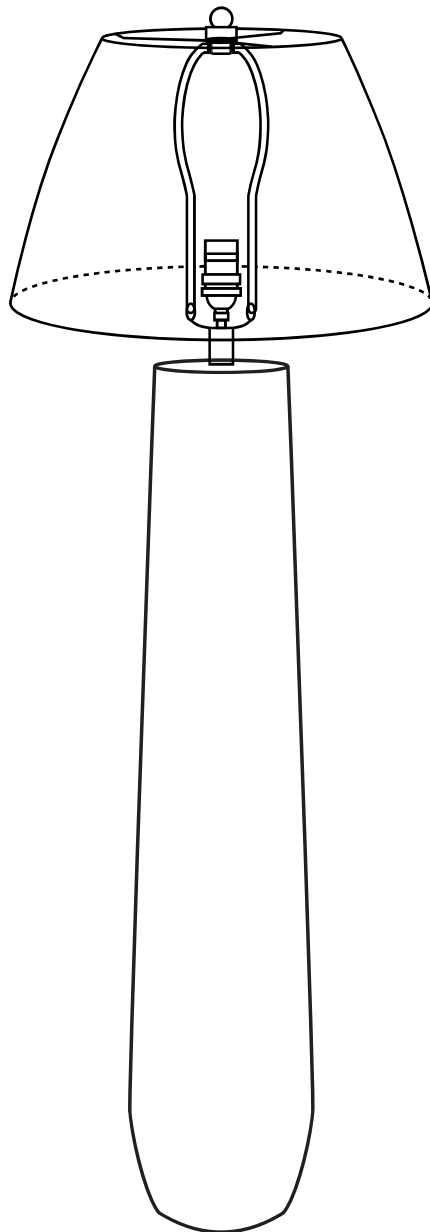


HARLEE FLOOR LAMP



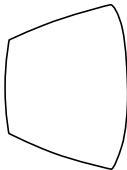
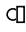
HARLEE

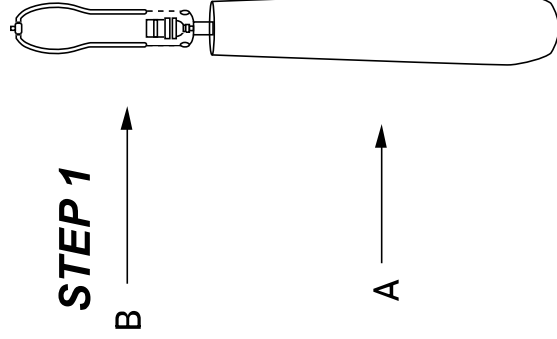
ASSEMBLY INSTRUCTIONS



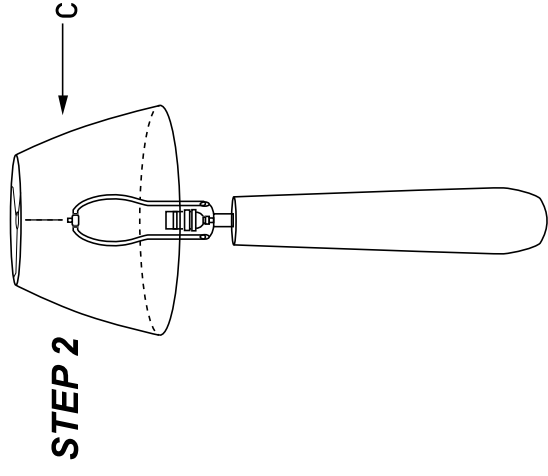
PARTS LIST

ASSEMBLY STEPS

LABEL	PICTURE	DESCRIPTION	QTY
A		LAMP BASE	1
B		HARP	1
C		SHADE	1
D		FINIAL	1



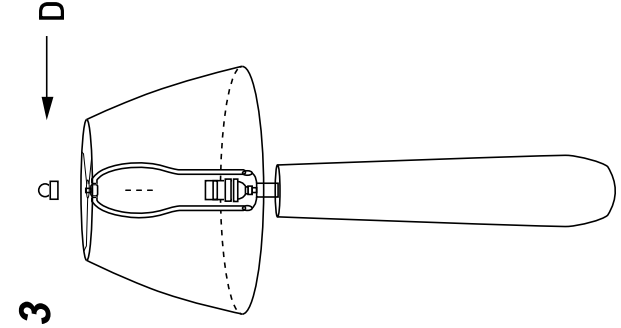
STEP 1



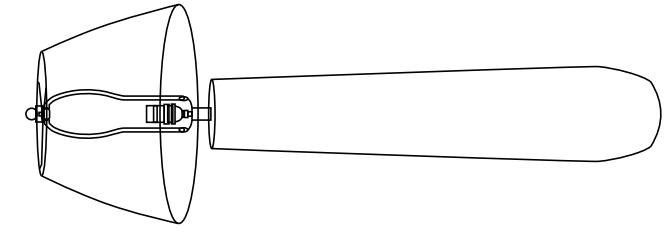
STEP 2

1. Place the Harp "B" onto the Saddle of the Base "A"

2. Place the Shade "C" onto the Harp "B"



STEP 3



STEP 4

3. Fasten the Finial "D" onto the Harp "B" until tight.

BEFORE BEGINNING ASSEMBLY:

- READ INSTRUCTIONS CAREFULLY
- UNPACK THE LAMP AND PUT ONTO STABLE SURFACE
- THEN ASSEMBLE THE LAMP ACCORDING TO INSTRUCTIONS MANUAL

IMPORTANT SAFETY INSTRUCTIONS

THIS PORTABLE LAMP HAS A POLARIZED PLUG(ONE BLADE IS WIDER THAN OTHER)AS A SAFETY FEATURE TO REDUCE THE RISK OF ELECTRIC SHOCK. THIS PLUG WILL FIT IN A POLARIZED OUTLET ONLY ONE WAY.IF THE PLUG DOES NOT FIT FULLY IN THE OUTLET,REVERSE THE PLUG.IF IT STILL DOES NOT FIT,CONTACT A QUALIFIED ELECTRICIAN NEVER USE WITH AN EXTENSION CORD UNLESS PLUG CAN BE FULLY INSERTED.DO NOT ATTEMPT TO DEFEAT THIS SAFETY FEATURE.