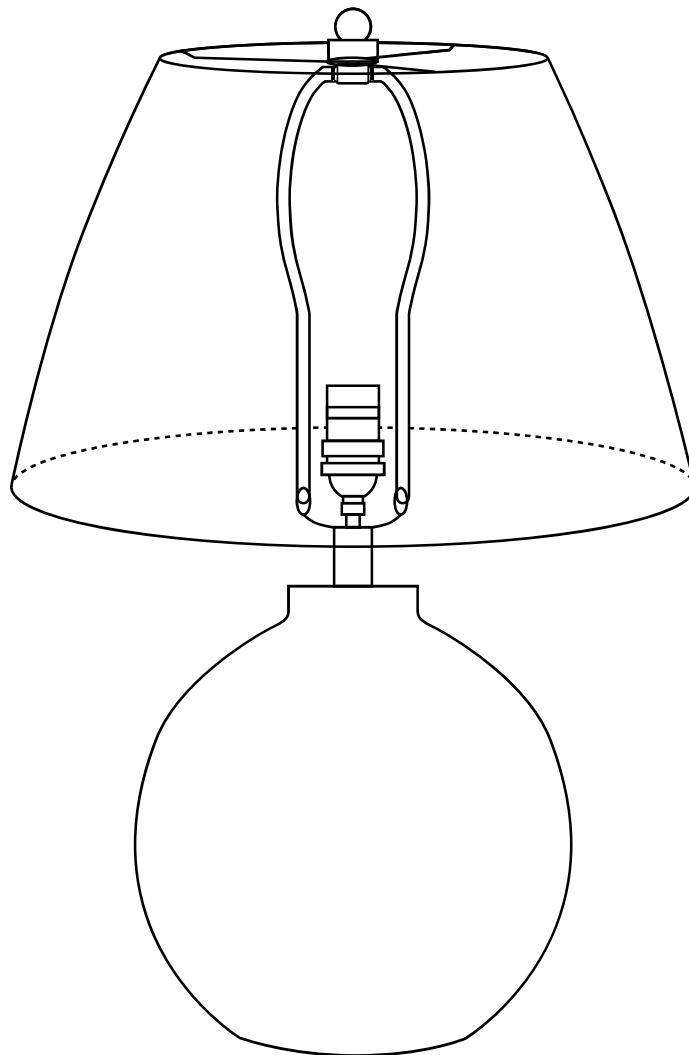


PALLORA TABLE LAMP

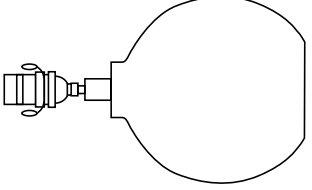

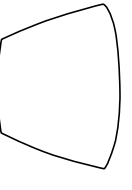
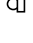
# PALLORA

## ASSEMBLY INSTRUCTIONS



# PARTS LIST

# ASSEMBLY STEPS

LABEL	PICTURE	DESCRIPTION	QTY
A		LAMP BASE	1
B		HARP	1
C		SHADE	1
D		FINIAL	1

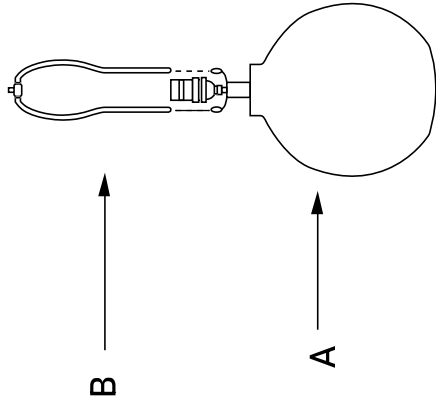
**BEFORE BEGINNING ASSEMBLY:**

- READ INSTRUCTIONS CAREFULLY
- UNPACK THE LAMP AND PUT ONTO STABLE SURFACE
- THEN ASSEMBLE THE LAMP ACCORDING TO INSTRUCTIONS MANUAL

**IMPORTANT SAFETY INSTRUCTIONS**

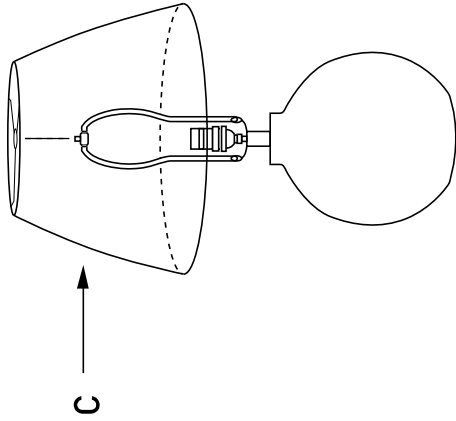
THIS PORTABLE LAMP HAS A POLARIZED PLUG(ONE BLADE IS WIDER THAN OTHER),AS A SAFETY FEATURE TO REDUCE THE RISK OF ELECTRIC SHOCK, THIS PLUG WILL FIT IN A POLARIZED OUTLET ONLY ONE WAY,IF THE PLUG DOES NOT FIT FULLY IN THE OUTLET,REVERSE THE PLUG,IF IT STILL DOES NOT FIT,CONTACT A QUALIFIED ELECTRICIAN NEVER USE WITH AN EXTENSION CORD UNLESS PLUG CAN BE FULLY INSERTED,DO NOT ATTEMPT TO DEFEAT THIS SAFETY FEATURE.

**STEP 1**



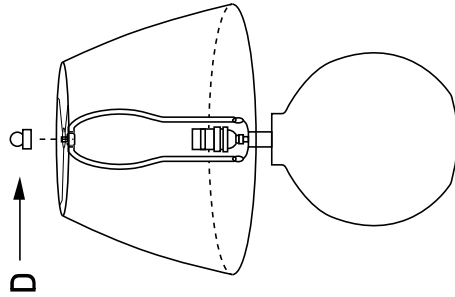
1. Place the Harp "B" onto the Saddle of the Base "A"

**STEP 2**



2. Place the Shade "C" onto the Harp "B"

**STEP 3**



3. Fasten the Finial "D" onto the Harp "B" until tight.

**STEP 4**

