


TOV



Follow us!

Show your new purchase some love by tagging it on our Instagram!

 @tovfurniture

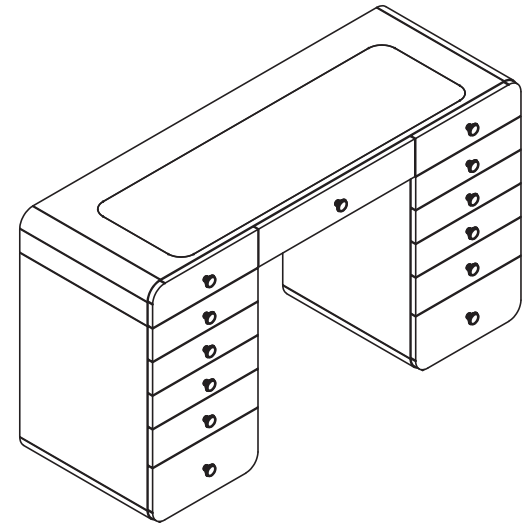
 516-888-3355

 hello@tovfurniture.com

 www.tovfurniture.com

If the future is female—your furniture should be, too. No mahogany in sight. Sexy settees shaped like lips. Price points for any budget. At TOV, we do things differently.

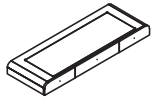
TOV



**Hollywood  
Vanity Desk**

**DON'T BE BORING.**

# Hardware and Components



----- (A) x1pc



----- (B) x1pc



----- (C) x 1pc



----- (D) x 6pcs



----- (E) x 6pcs



----- (F) x 6pcs



----- (G) x 6pcs



----- (H) x 2pcs



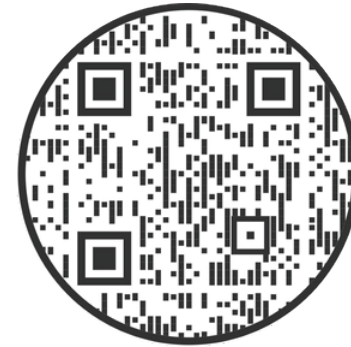
----- (I) x 4pcs



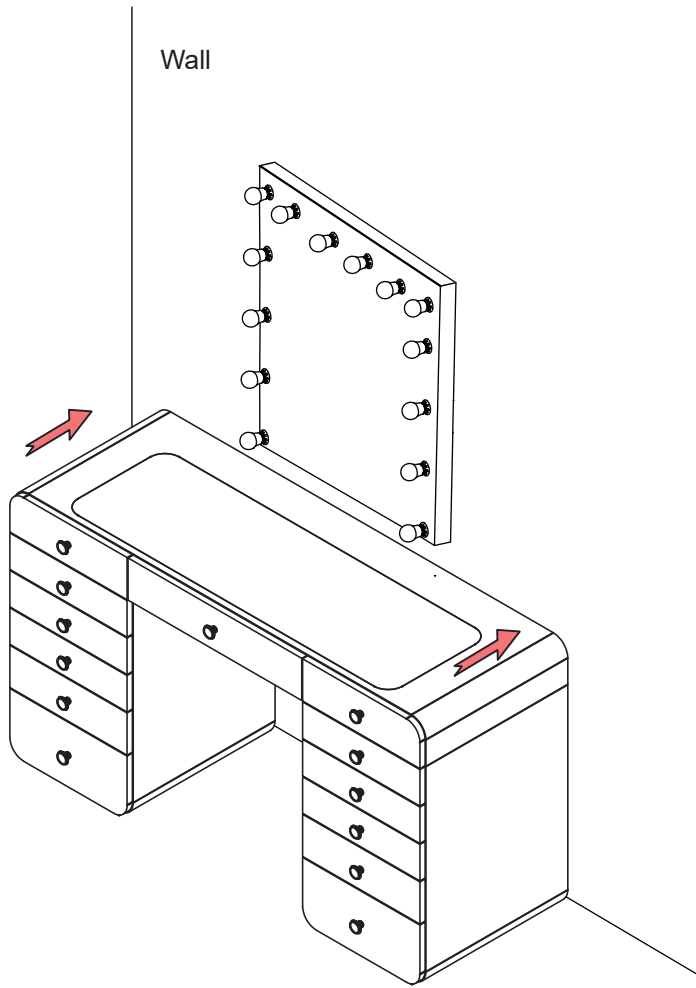
----- (J) x 2pcs

Step 1  
Open box of hardware and legs.

This hardware box will be a smaller box inside of the main box. Look for the red streamer.



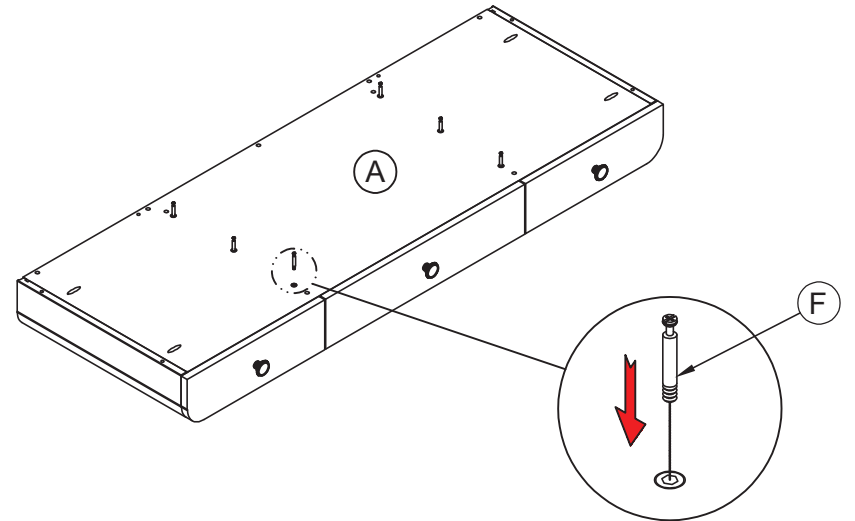
Stuck?  
Contact our team @ 516-888-3355  
Scan for product care!



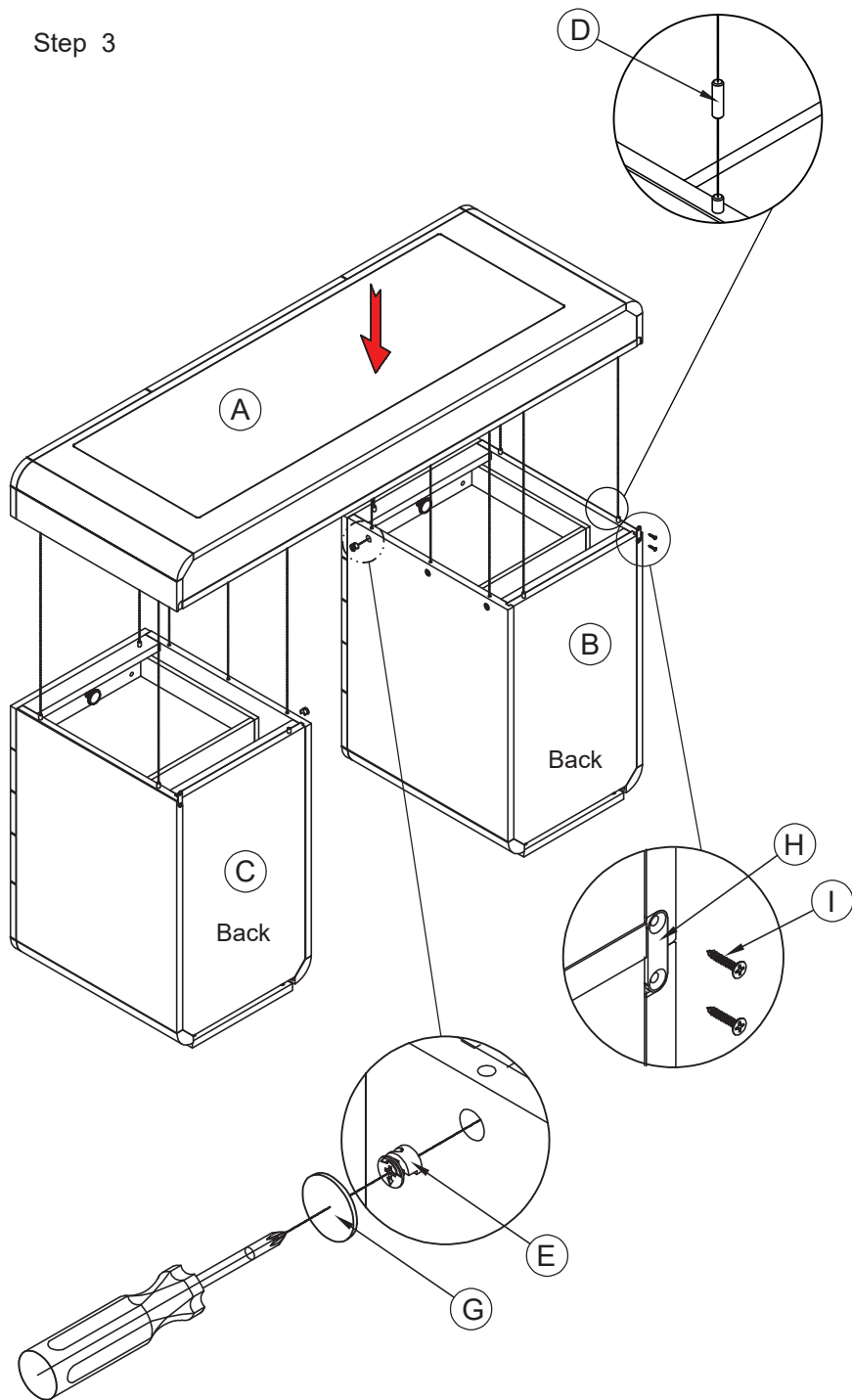
\* Image of the dis-assembly of the Lola Vanity Mirror base stand

FINISH

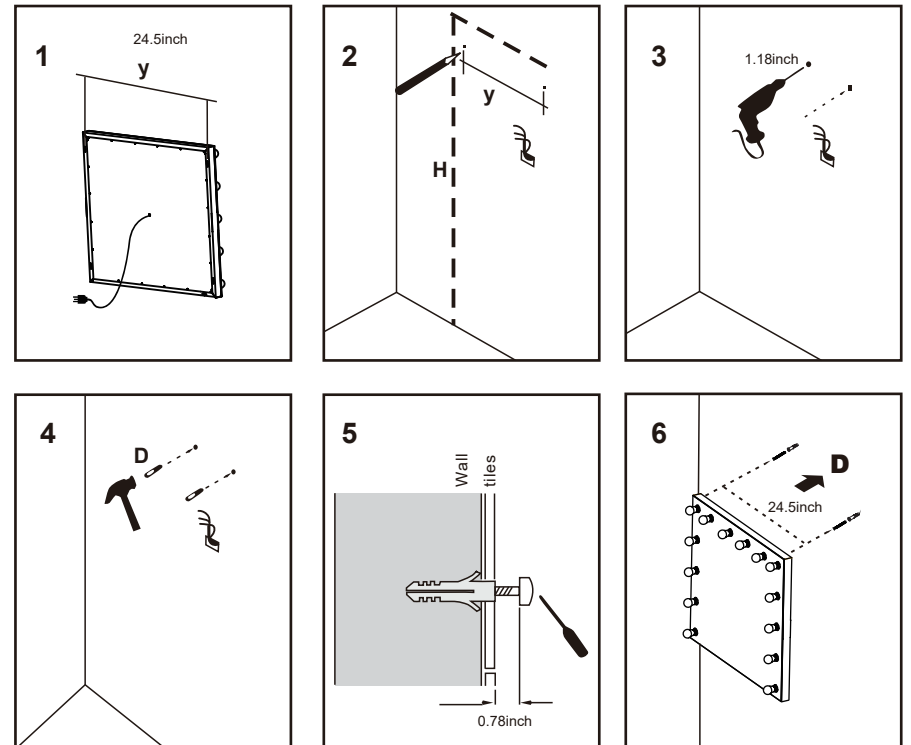
Step 2



Step 3



## Option 2



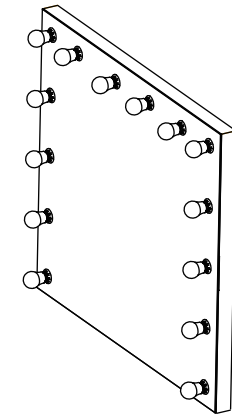
The Hollywood pairs perfectly with TOV's Lola Vanity Mirror. They are designed to go together.

The Lola Vanity Mirror has a base built onto it if you choose to use it elsewhere. For the Hollywood Vanity, we suggest removing that base and using the keyhole hardware to attach it to the wall behind your Vanity.

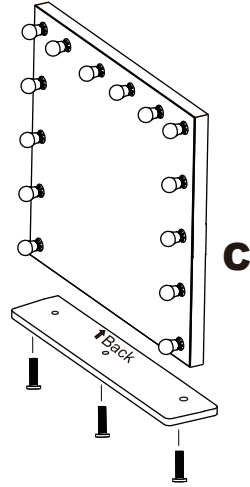
### Option 1

 **X14**

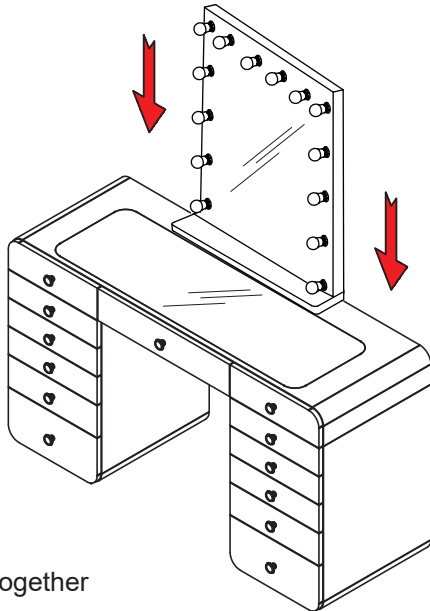
**A**



**B**

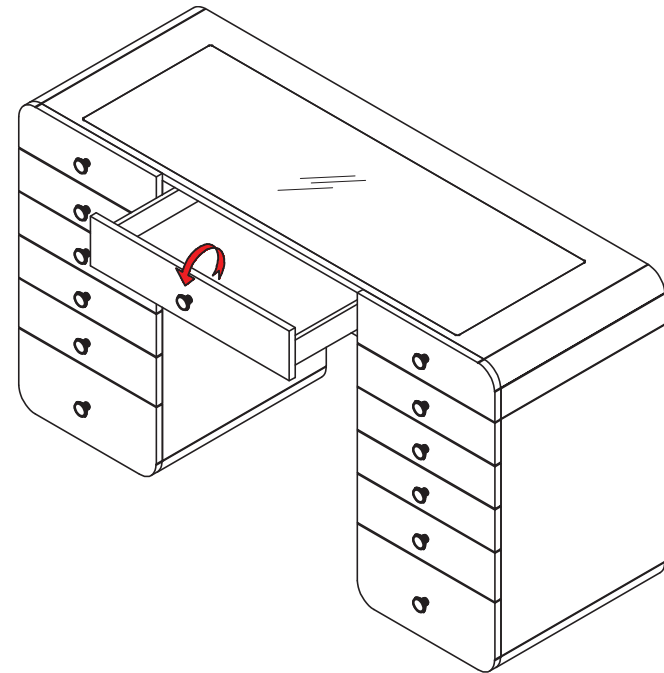


**C**

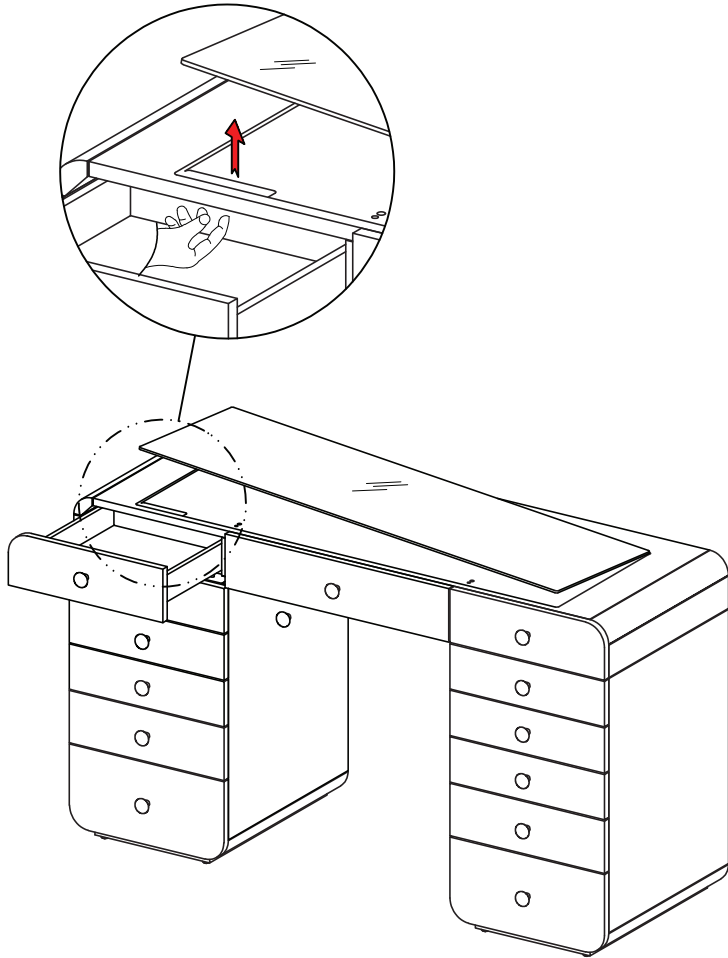


\* Image of the two together

Step 4



Step 5



Step 6

