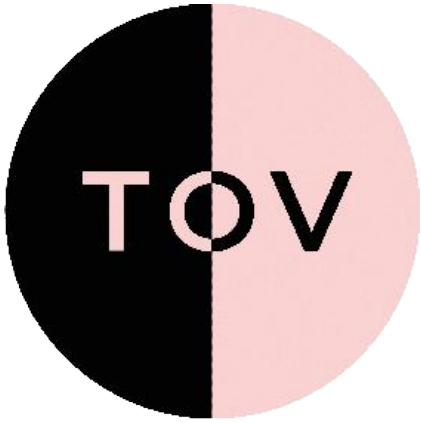
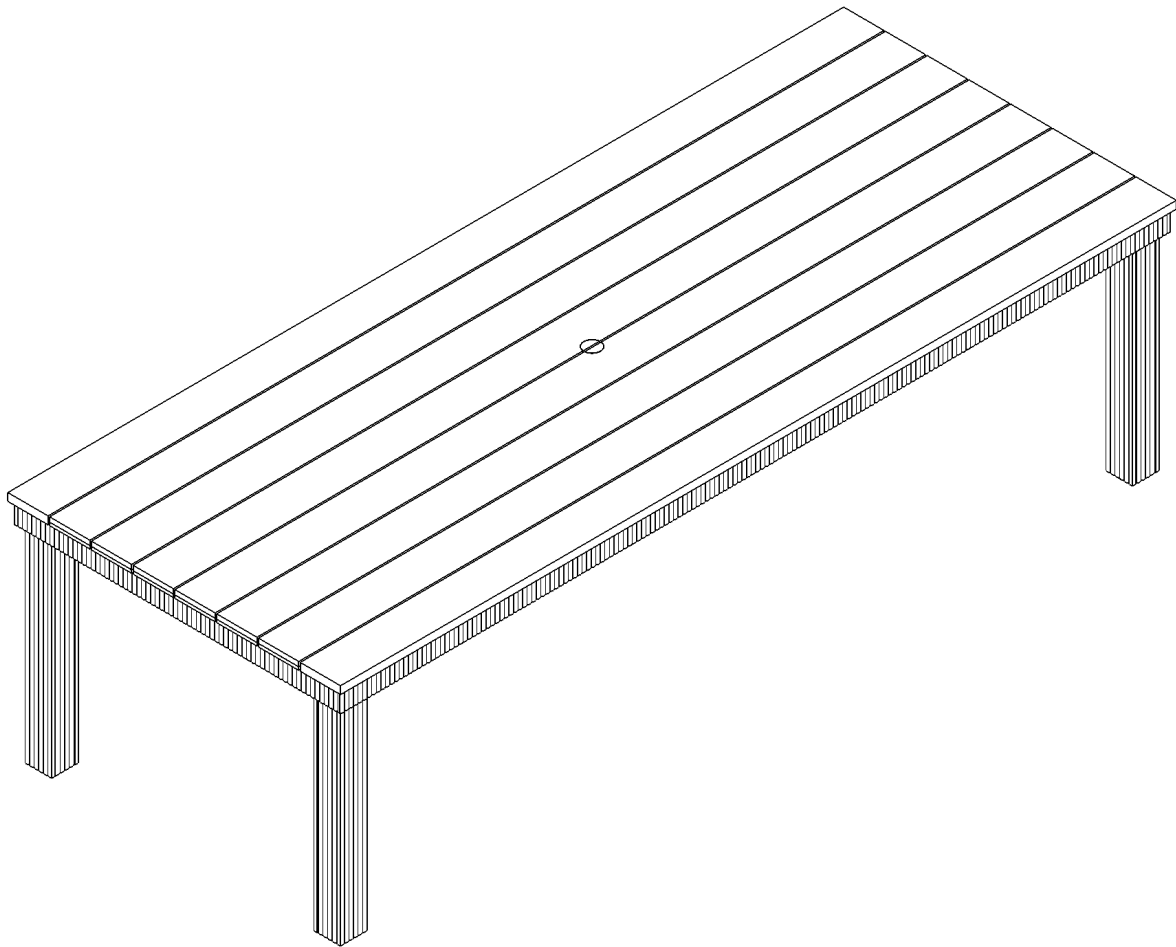


CASSIE OUTDOOR DINING TABLE 108"

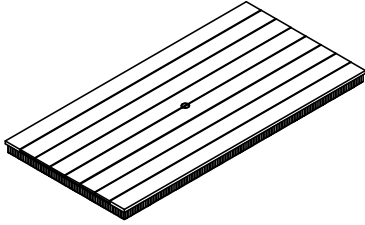



CASSIE


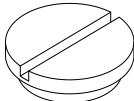
ASSEMBLY INSTRUCTIONS



PARTS LIST

LABEL	PICTURE	DESCRIPTION	QTY
A		Table top	1
B		Legs	4

HARDWARE

LABEL	PICTURE	DESCRIPTION	QTY
C		Bolt M8x70x15	8
D		Spring Washer 1x8.5/19	8
E		Flat Washer 1x8/13	8
F		Allen Key 30x110	1
G		Umbrella Cap	1

BEFORE BEGINNING ASSEMBLY:



Read instructions cover to cover



Have two adults on hand for assembly



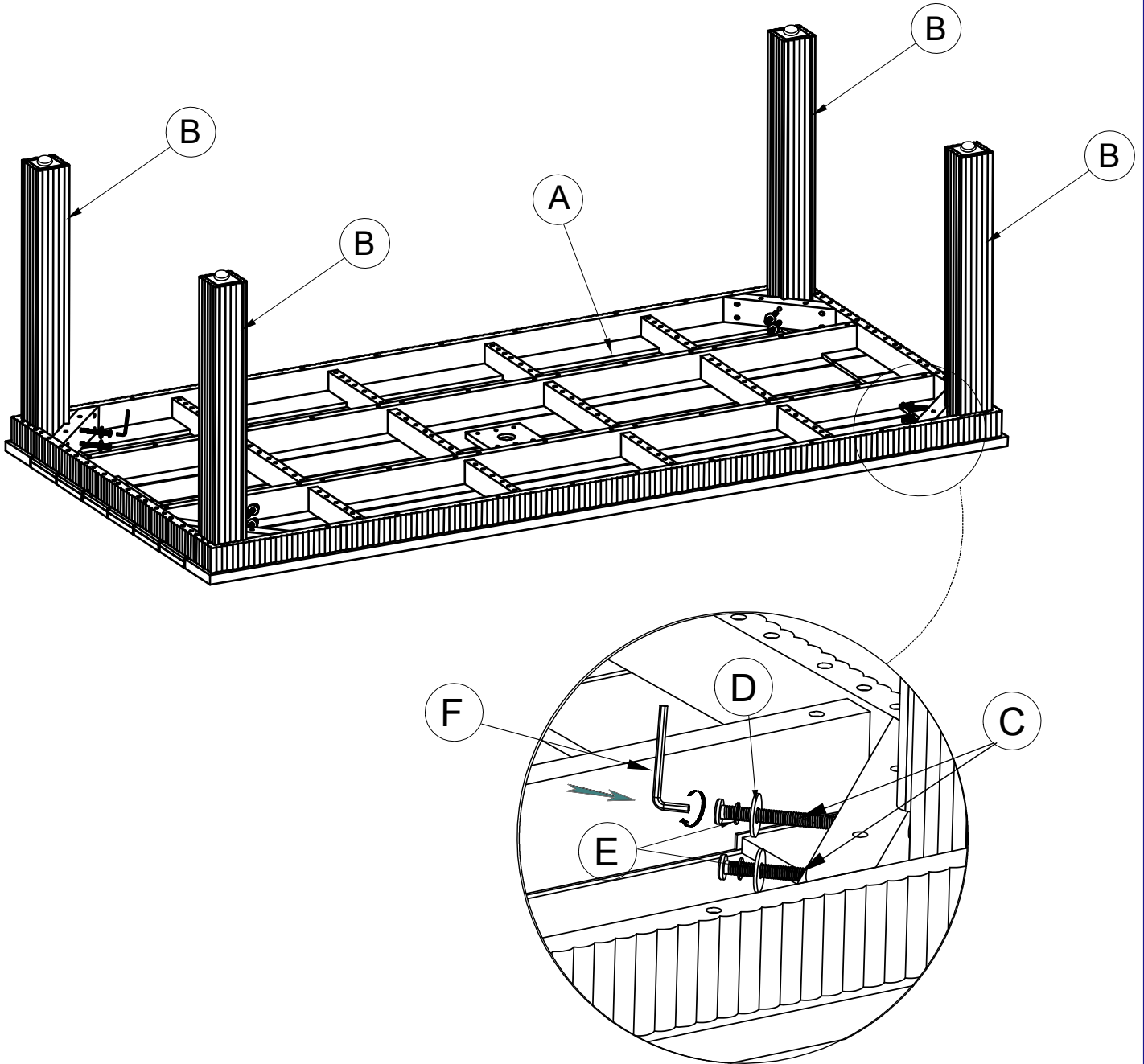
Do NOT assemble on flooring or carpet. Assemble on a clean non-marring surface (ex: packing foam)



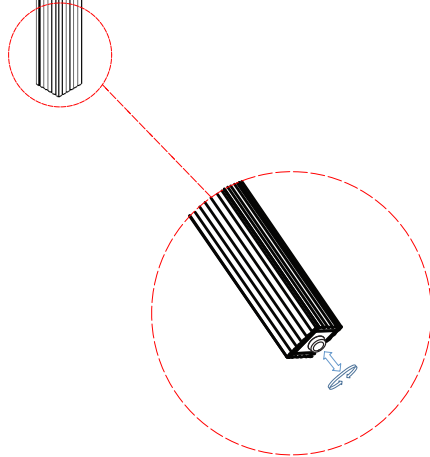
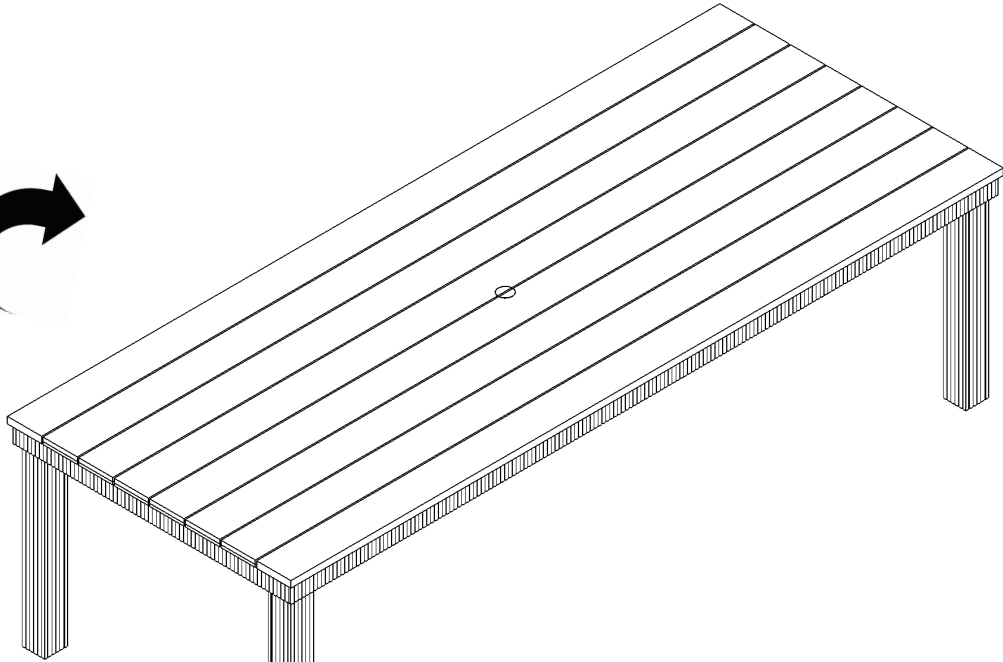
Save all packaging until assembly is completed

ASSEMBLY STEPS

STEP 1 1) Attach the table legs using the included hardware as shown

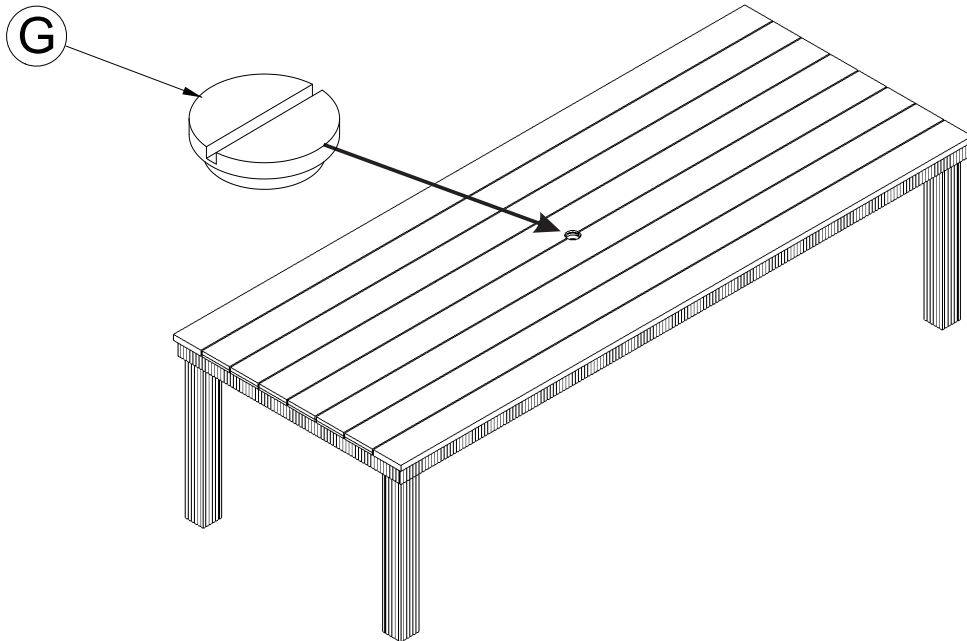


STEP 2



Adjust leveler as needed

Cover the hole with the cap when the umbrella is not in use



CARE & MAINTENANCE



Do not put hot items directly on furniture surface.



Do not clean furniture with harsh cleansers or polish



Dust and wipe up spills using a clean, non-colored, lint-free cloth.



Stains may be removed with a mild soap solution and a damp cloth.



Do not place furniture under direct sunlight.



Do not place furniture near heating or cooling vents.



Do not write on furniture without a padded barrier to protect the surface.



Safe for outdoor, recommend covering the products when not in use

**"Need a part? Call TOV at 516-888-3355 or
email service@tovfurniture.com"**