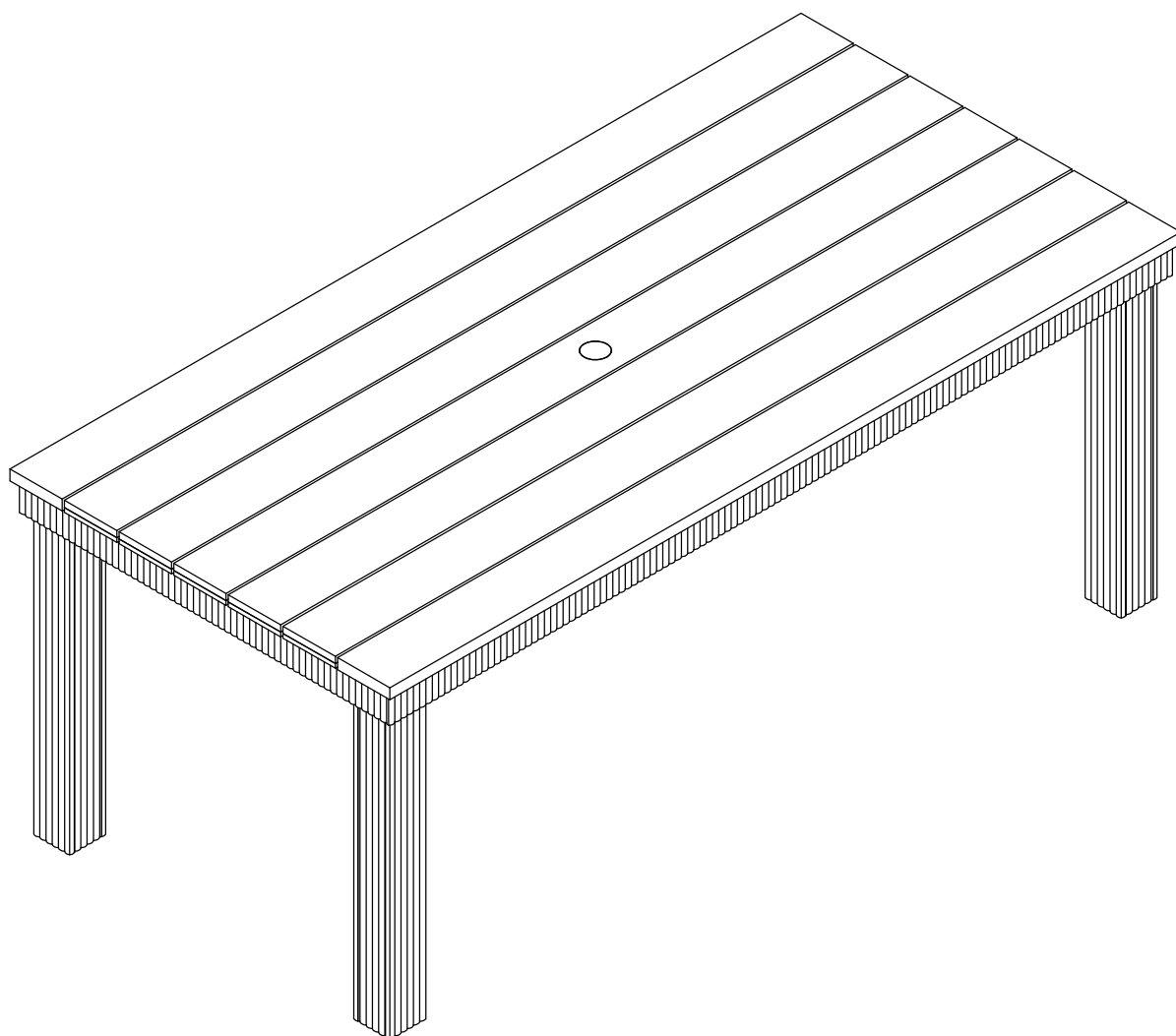


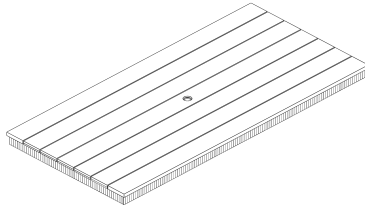

**CASSIE OUTDOOR DINING TABLE 75"**

# **CASSIE**





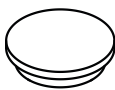
## **ASSEMBLY INSTRUCTIONS**



## PARTS LIST

LABEL	PICTURE	DESCRIPTION	QTY
A		Table top	1
B		Legs	4

## HARDWARE

LABEL	PICTURE	DESCRIPTION	QTY
C		Bolt M8x70x15	8
D		Spring Washer 1x8.5/19	8
E		Flat Washer 1x8/13	8
F		Allen Key 30x110	1
G		Umbrella Cap	1

### BEFORE BEGINNING ASSEMBLY:



*Read instructions cover to cover*



*Have two adults on hand for assembly*



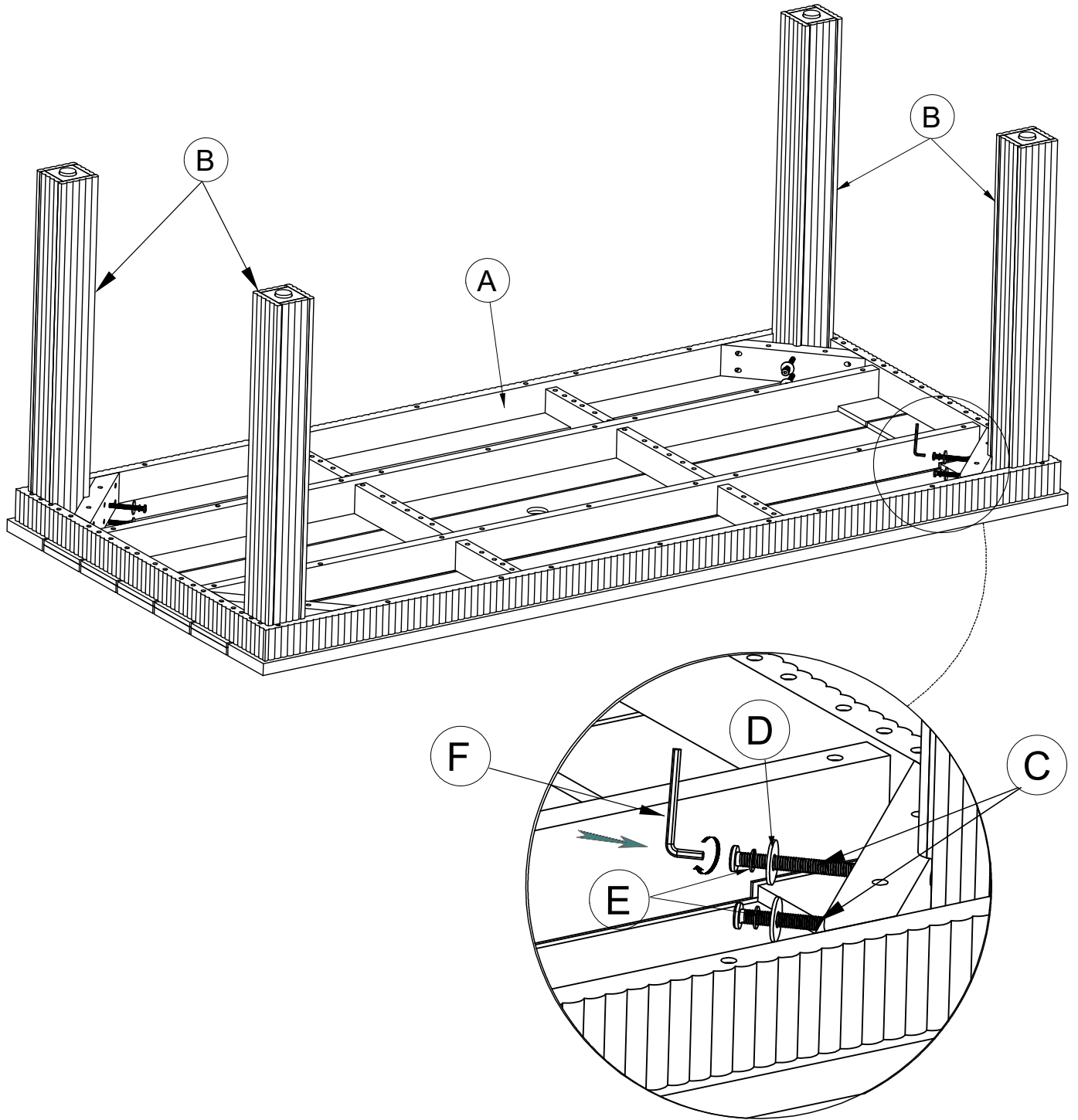
*Do NOT assemble on flooring or carpet. Assemble on a clean non-marring surface (ex: packing foam)*



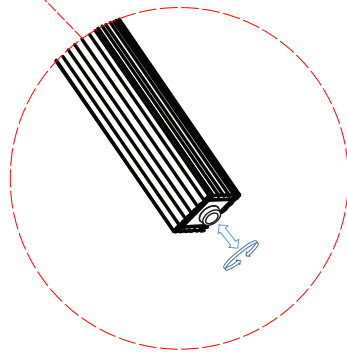
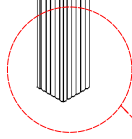
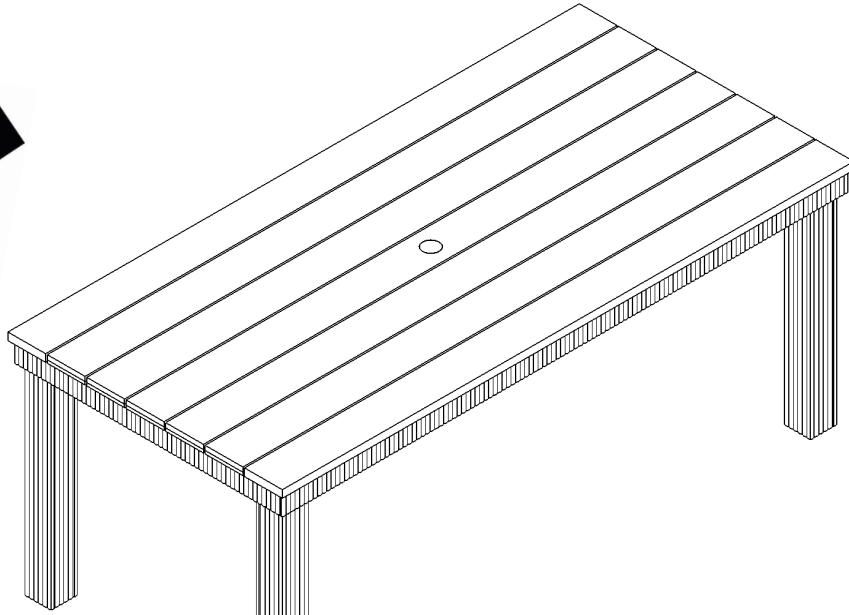
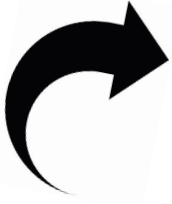
*Save all packaging until assembly is completed*

# ASSEMBLY STEPS

**STEP 1** 1) Attach the table legs using the included hardware as shown



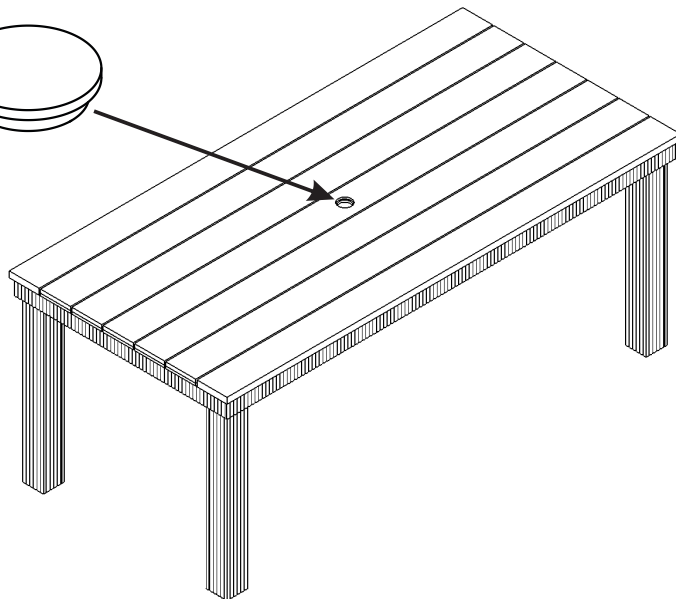
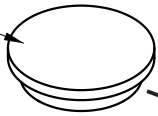
STEP



Adjust leveler as needed

Cover the hole with the cap when the umbrella is not in use

G



## CARE & MAINTENANCE



Do not put hot items directly on furniture surface.



Do not clean furniture with harsh cleansers or polish



Dust and wipe up spills using a clean, non-colored, lint-free cloth.



Stains may be removed with a mild soap solution and a damp cloth.



Do not place furniture under direct sunlight.



Do not place furniture near heating or cooling vents.



Do not write on furniture without a padded barrier to protect the surface.



Safe for outdoor, recommend covering the products when not in use

**"Need a part? Call TOV at 516-888-3355 or  
email [service@tovfurniture.com](mailto:service@tovfurniture.com)"**