

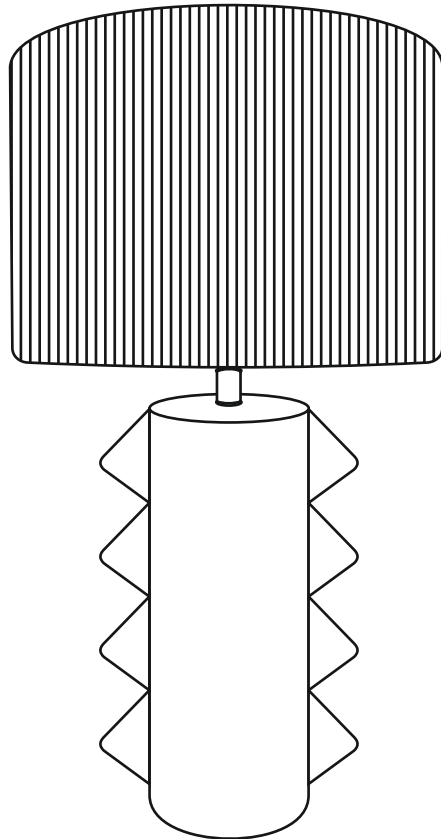
## WILD THING TABLE LAMP

# TOV

## WILD THING

---

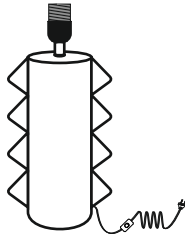
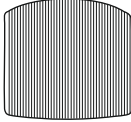

### ASSEMBLY INSTRUCTIONS



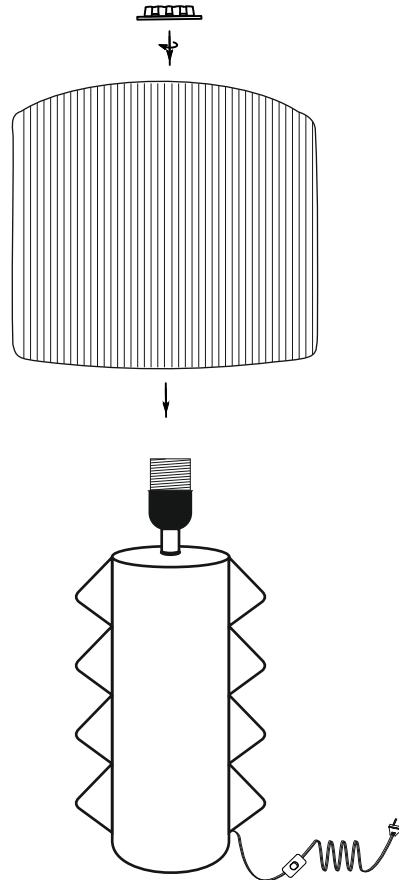
**SAFETY PRECAUTION:**

KINDLY ENSURE THAT WHEN IN DISPLAY THE FRINGES ARE NOT UNDER THE LAMP BASE.

# PARTS LIST & HARDWARE LIST

LABEL	DESCRIPTIONS	PICTURE	QTY
A	LAMP BASE		1X
B	LAMP SHADE		1X
C	HOLDER RING		1X

## ASSEMBLY



## CARE & MAINTENANCE

Do not use polishes or cleaners on your lamp.  
USE DRY CLOTH TO CLEAN.

Thank you for purchasing the **Wild Thing Table Lamp**  
This page lists all contents included in the box.  
Please take time to identify all the parts of this product.  
As you unpack and prepare for assembly, place  
the contents on a carpeted or padded area to protect them  
from damage.

**Need a part? Call TOV at 516-888-3355 or email [service@tovfurniture.com](mailto:service@tovfurniture.com)**