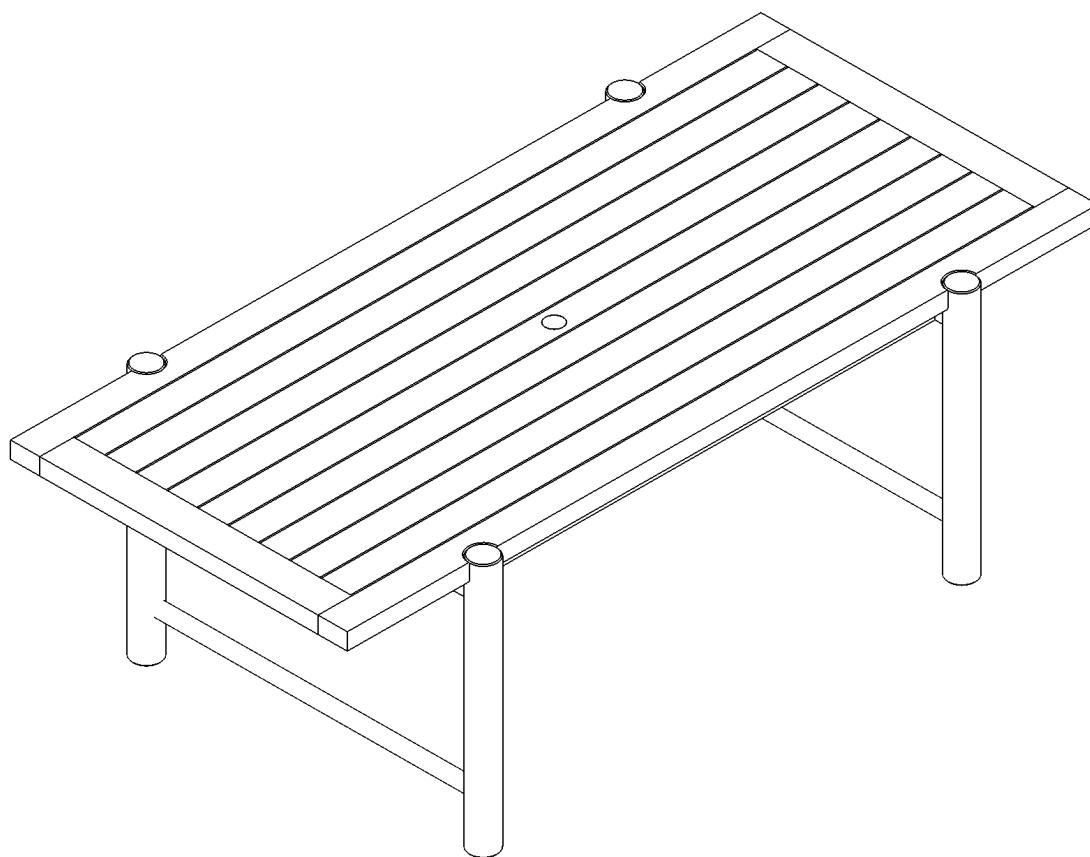
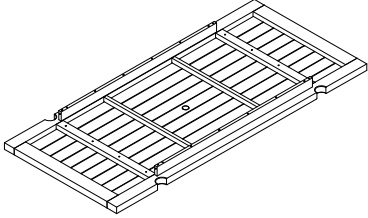
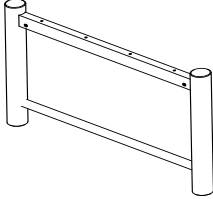


GATA OUTDOOR DINING TABLE









GATA ASSEMBLY INSTRUCTIONS



PARTS LIST

LABEL	PICTURE	DESCRIPTION	QTY
A		Table top	1
B		Legs	2

HARDWARE

LABEL	PICTURE	DESCRIPTION	QTY
C		Bolt M8x85x15	8
D		Washer 2x8.5/20	8
E		Flat Washer 1x8/13	8
F		Hammer Nut M8x20	4
G		Bolt M8x70x15	4
H		Allen Key 30x110	1
J		Bolt M6x40	1
K		Umbrella Cap	1

BEFORE BEGINNING ASSEMBLY:



Read instructions cover to cover



Have two adults on hand for assembly



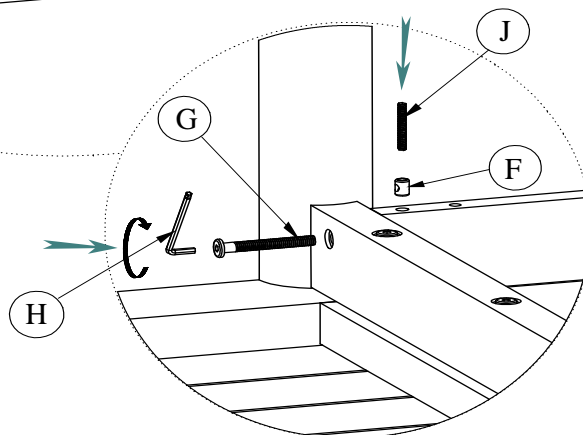
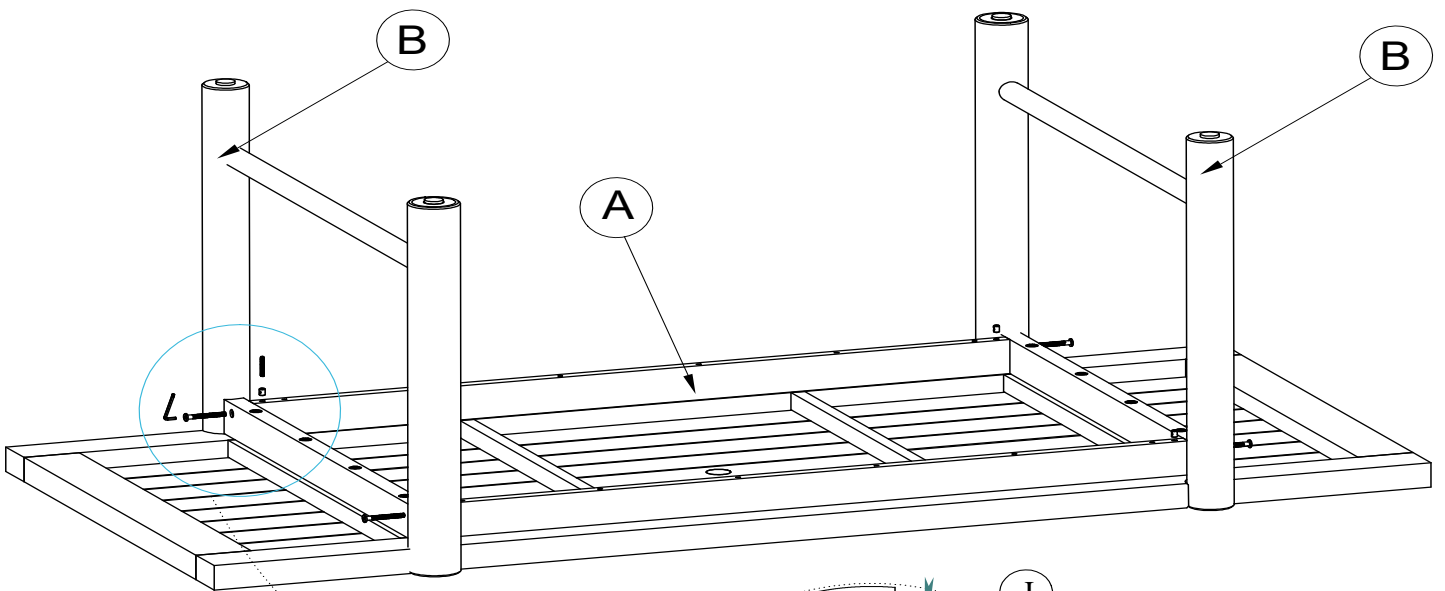
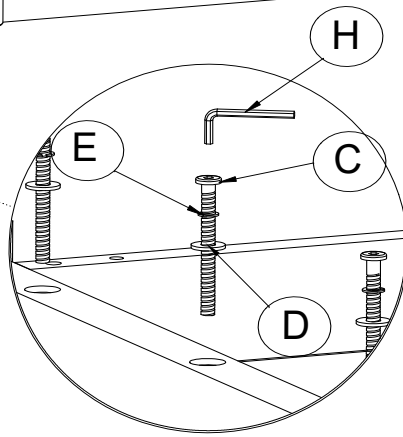
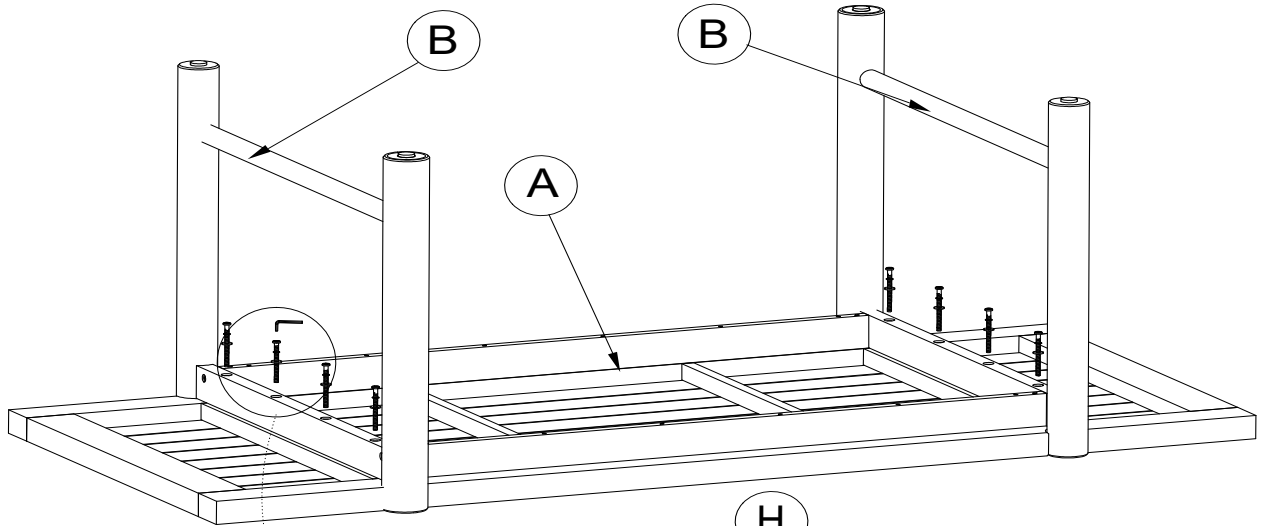
Do NOT assemble on flooring or carpet. Assemble on a clean non-marring surface (ex: packing foam)



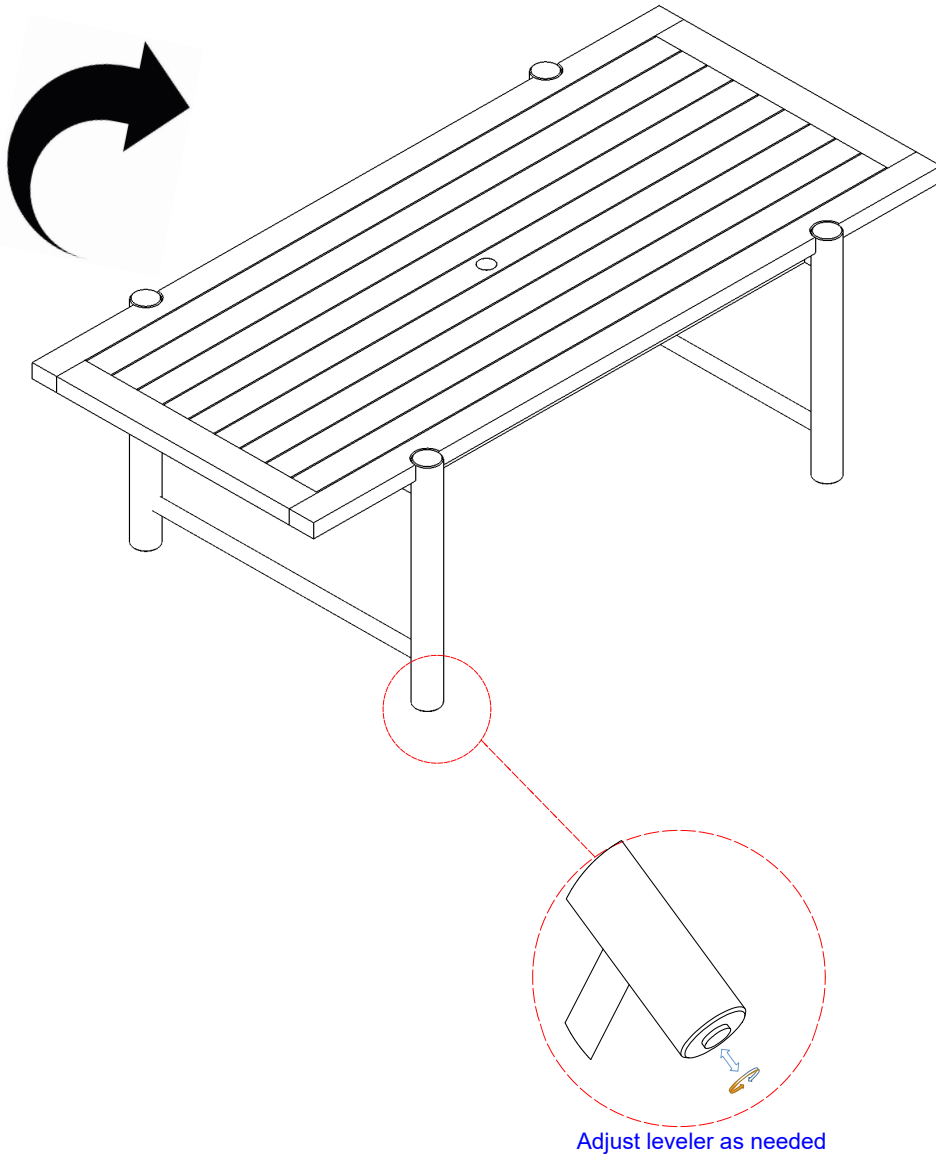
Save all packaging until assembly is completed

ASSEMBLY STEPS

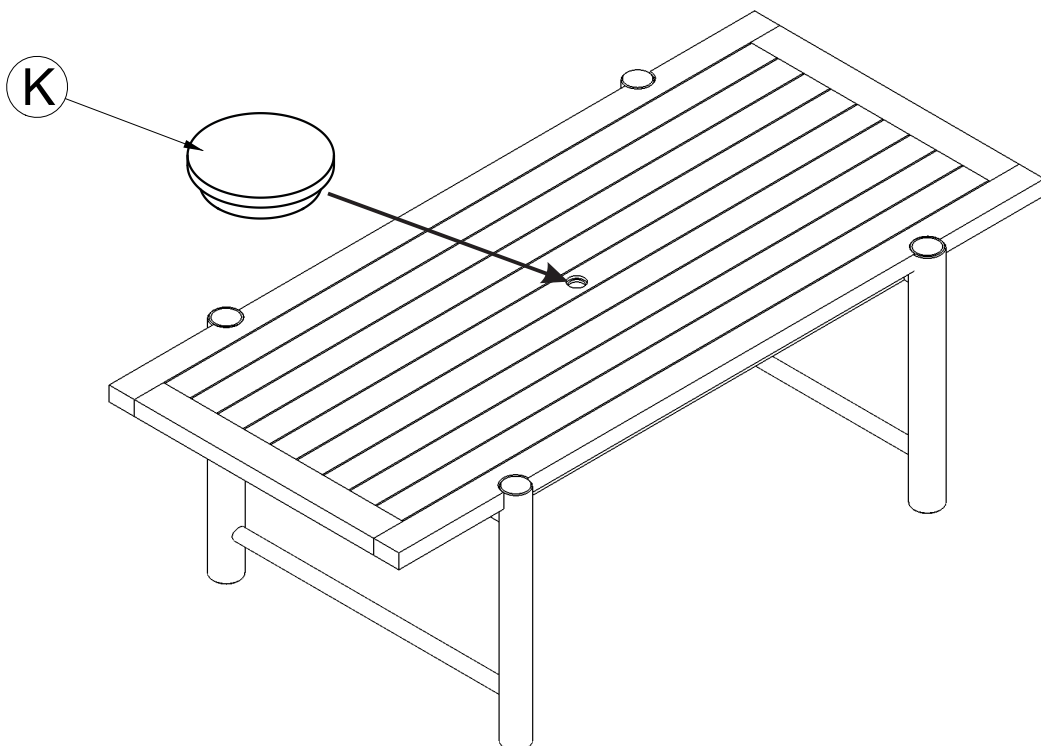
STEP 1 1) Attach the table legs using the included hardware as shown



STEP 2



Cover the hole with the cap when the umbrella is not in use



CARE & MAINTENANCE



Do not put hot items directly on furniture surface.



Do not clean furniture with harsh cleansers or polish



Dust and wipe up spills using a clean, non-colored, lint-free cloth.



Stains may be removed with a mild soap solution and a damp cloth.



Do not place furniture under direct sunlight.



Do not place furniture near heating or cooling vents.



Do not write on furniture without a padded barrier to protect the surface.



Safe for outdoor, recommend covering the products when not in use

**"Need a part? Call TOV at 516-888-3355 or
email service@tovfurniture.com"**